

W23 Sync+

Industrial Motors

Commercial & Appliance
Motors

Automation

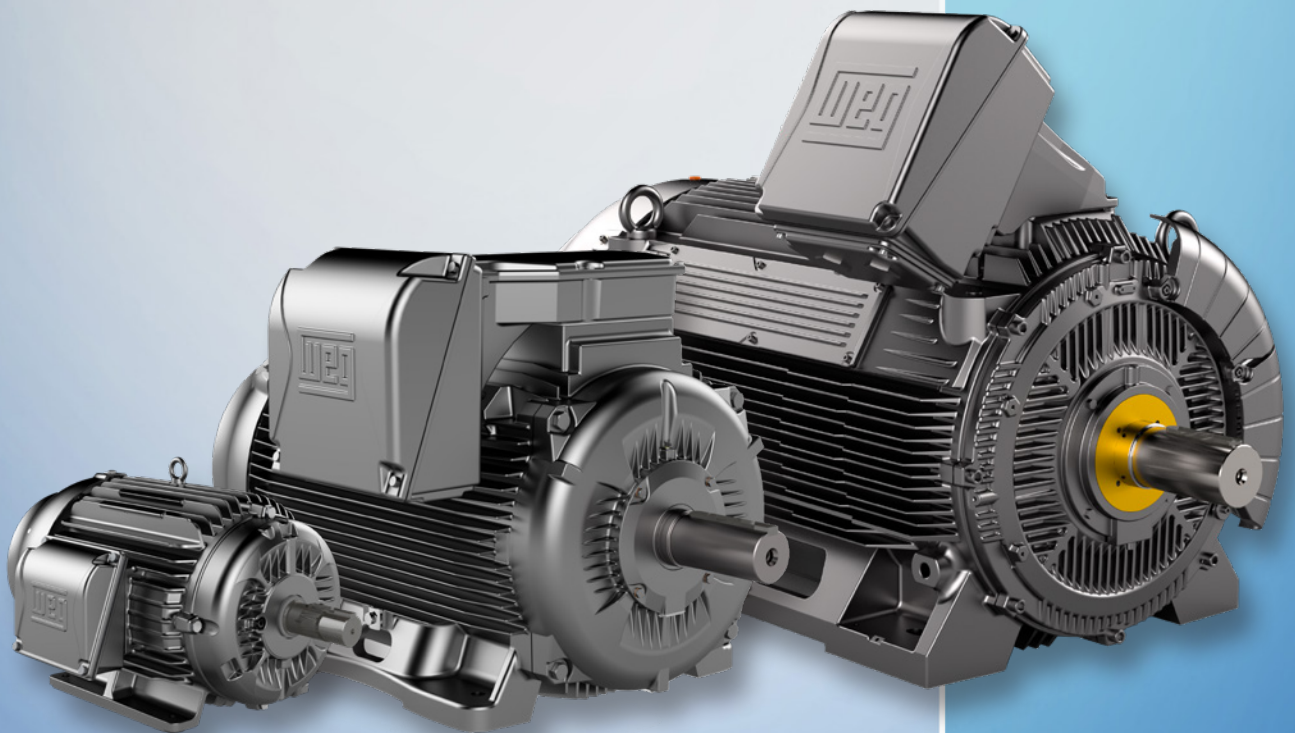
Digital &
Systems

Energy

Transmission &
Distribution

Coatings

**Combining
technologies for
greater performance.**
NEMA market



Driving efficiency and sustainability



W23 Sync+

The W23 Sync+ line is at the forefront of efficiency in the industry, meeting the Ultra Premium(IE5) efficiency. Reducing losses by 40% compared to the NEMA Premium efficiency (IE3).

The W23 Sync+ line is a result of WEG's dedication to research and development. W23 Sync+ provides measurable energy efficiency improvement and a reduction in Total Cost of Ownership



Lower
energy
consumption



Easily
interchangeable



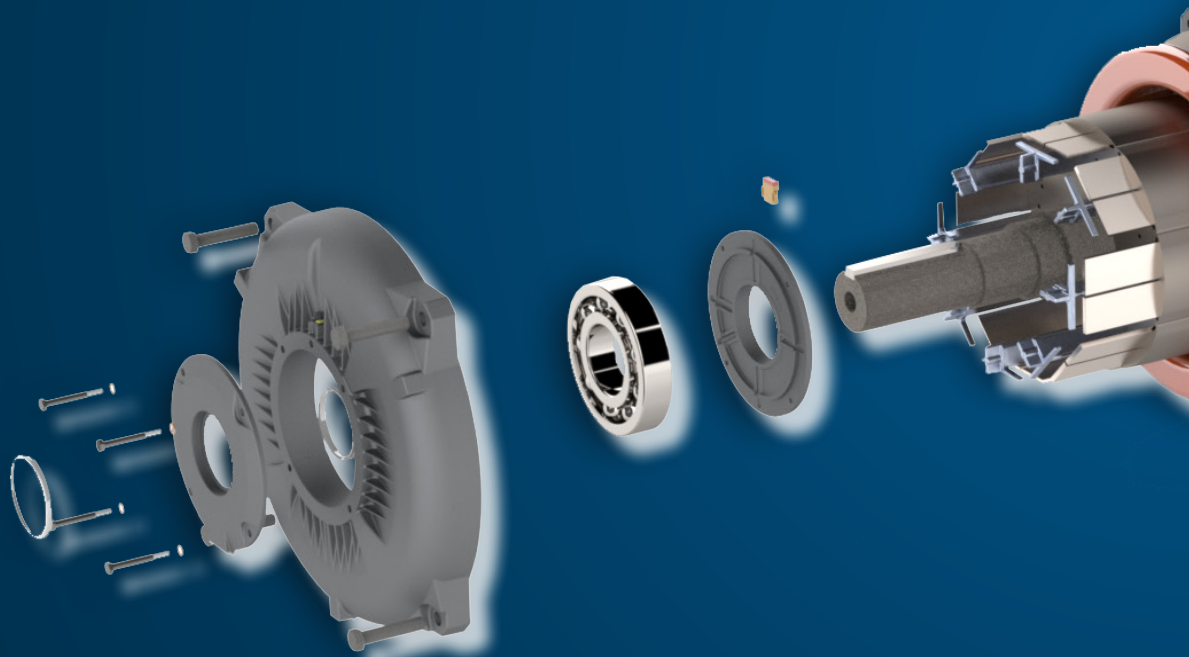
Low
noise



Long life of
components



High
durability



The New W23 Sync+ motors maintain their efficiency irrespective of speed variations or load, leading to energy savings of up to 30% compared to induction motors with variable frequency inverters.

Additionally, these motors can operate over a wide Constant Torque speed range without the need for external ventilation. Their cool operation over a wide speed range eliminates the need for blowers. Hence, they are perfect for tasks requiring adjustable speed and constant torque.

The highest efficiency in rotor technology

The magnets generate their own magnetic field without requiring induction of currents. Therefore, they reduce the motor total losses.



General Characteristics

Power : 0.75 to 1750 HP
Frame : 143T to 7009/10
Speed : up to 3600 rpm
Voltage : up to 690V

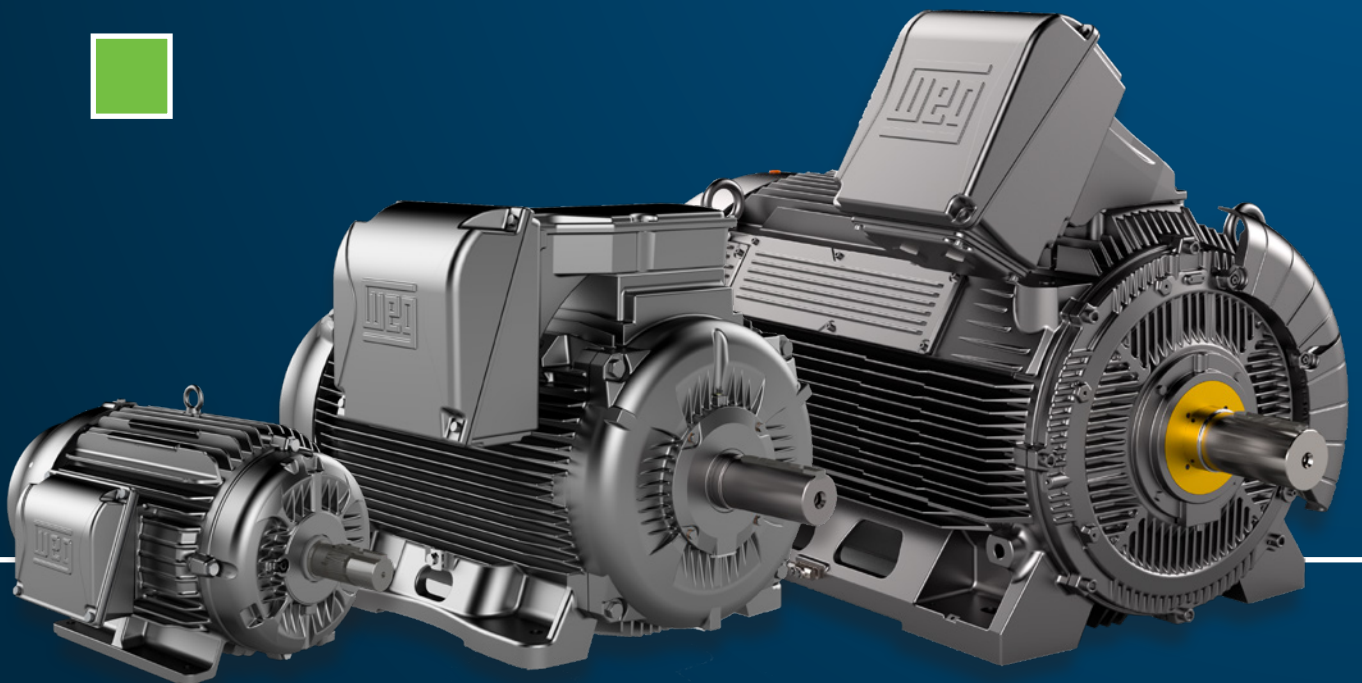
Protection Rating : IP55
Insulation : F with B rise (80K)
Service Factor : 1.0
Bearing type : Ball

Driving efficiency and sustainability



IE6

and beyond





With industry-leading performance we anticipated the next level of efficiency, IE6 and beyond. Meeting 20% lower losses than IE5.



- **Energy Saving:** The efficiency of IE6 motors reduces energy consumption, benefiting the environment and reducing operational costs for companies.
- **Compliance with Standards:** Exceed international efficiency standards, ensuring compliance with local and global regulations.
- **Lower Heat Generation:** IE6 motors generate less heat, contributing to efficient operations and reducing the need for additional cooling.
- **Extended Service Life:** With advanced materials and technologies, IE6 motors have a longer lifespan, resulting in fewer replacements and maintenance jobs.
- **Performance at Variable Loads:** IE6 is efficient even at partial load, making it ideal for applications with load variations.
- **Sustainability:** The energy efficiency of IE6 motors contributes to sustainable practices, reducing the demand for natural resources and minimizing environmental impacts.

Electrical data

W23 Sync+ (1200 RPM - IE5)

HP	kW	Frame	Poles	Weight (lb)	Power Factor 100 %	Efficiency 100 %	Rated current (A)	Inverter Parameter			Inverter	Inverter Current (A)
								Ld (mH)	Lq (mH)	ke (V/krpm)		
1	0.75	143/5T	4	49	0.87	85.7	1.23	471	2482	115	CFW500B02P6T4...	2.6
1.5	1.1	182/4T	4	77	0.77	87.2	2.09	394	1430	72.6	CFW500B02P6T4...	2.6
2	1.5	182/4T	4	86	0.77	88.4	2.81	295	1085	71.1	CFW500B04P3T4...	4.3
3	2.2	213/5T	4	121	0.83	89.7	3.65	192	844	110	CFW500B04P3T4...	4.3
5	3.7	213/5T	4	143	0.82	91.2	6.16	110	496	106	CFW500B06P5T4...	6.5
7.5	5.5	254/6T	4	225	0.77	92.2	10.1	59.3	318	25.3	CFW500C14P0T4...	14
10	7.5	254/6T	4	276	0.78	92.9	13.4	43.7	242	26.1	CFW500C14P0T4...	14
15	11	284/6T	4	353	0.79	93.7	18.4	32.2	176	65	CFW500D24P0T4...	24
20	15	284/6T	4	375	0.8	94.3	25.8	23.8	126	58.3	CFW500D31P0T4...	31
25	18.5	324/6T	4	470	0.8	94.6	31.8	19.8	101	72	CFW500E39P0T4...	45
30	22	324/6T	4	470	0.78	94.9	38.8	16.6	82.1	67.5	CFW500E39P0T4...	45
40	30	364/5T	4	730	0.8	95.3	50.9	11.8	63.1	79	CFW500E49P0T4...	58.5
50	37	364/5T	4	798	0.79	95.6	61.7	9.84	53.6	80	CFW500F77P0T4...	77
60	45	W444/5T	4	974	0.76	95.8	81.4	7.98	40	63.1	CFW500F88P0T4...	88
75	55	W444/5T	4	1052	0.76	96.0	101	6.31	31.8	62.1	CFW500F105T4...	105
100	75	444/5T	8	1246	0.96	96.3	102	2.37	4.59	389	CFW500G105T4...	105
125	90	444/5T	8	1246	0.96	96.5	123	2.76	5.06	404	CFW500G142T4...	142
150	110	W504/5T	8	1616	0.96	96.6	149	1.97	3.68	395	CFW500G180T4...	180
200	150	W504/5T	8	1797	0.96	96.9	203	1.65	3.09	410	CFW500G211T4...	211
250	185	586/7	8	2612	0.94	97.0	256	2.04	3.33	387	CFW900F315T4...	315
270	200	5009/10	8	3267	0.96	97.0	272	1.33	2.53	396	CFW900F315T4...	315
300	220	504/5T	8	2258	0.95	97.0	302	1.18	2.19	389	CFW900F315T4...	315
350	260	5009/10	8	3596	0.96	97.0	353	0.981	1.88	395	CFW900F370T4...	370
380	280	5009/10	8	3691	0.93	97.0	393	0.826	1.52	374	CFW900G0430T4...	430
400	300	5009/10	8	3757	0.95	97.0	411	0.87	1.63	392	CFW900G0430T4...	430
430	315	5009/10	8	3858	0.96	97.0	426	0.866	1.68	406	CFW900G0430T4...	430
450	330	5009/10	8	3922	0.92	97.0	473	0.688	1.25	368	CFW900G0480T4...	480
480	355	5010/11	8	4650	0.95	97.0	485	0.686	1.3	388	CFW900G0540T4...	540
500	370	5010/11	8	4749	0.96	97.0	499	0.728	1.42	409	CFW900G0540T4...	540
550	400	5809/10	8	5033	0.91	97.0	574	0.905	1.45	369	CFW900G0601T4...	601
600	440	5809/10	8	5232	0.91	97.0	631	0.83	1.33	371	CFW900H0760T4...	760
610	450	5809/10	8	5351	0.93	97.0	628	0.879	1.43	391	CFW900H0760T4...	760
650	480	6806/07	8	6354	0.92	97.0	678	0.716	1.25	384	CFW900H0760T4...	760
680	500	6806/07	8	6462	0.94	97.0	694	0.744	1.31	398	CFW900H0760T4...	760
700	515	6808/9	8	6907	0.89	97.0	787	0.553	0.941	352	CFW110795T4...	795
750	560	6808/9	8	7273	0.91	97.0	798	0.56	0.976	377	CFW110877T4...	877
800	590	6808/9	8	7434	0.93	97.0	822	0.589	1.04	394	CFW110877T4...	877
850	630	6809/10	8	8375	0.89	97.0	1028	0.394	0.676	333	CFW111062T4...	1062
900	660	6809/10	8	8644	0.86	97.0	1028	0.42	0.707	355	CFW111062T4...	1062

Note:

The main part of the drive code is indicated above. However, additional options and variations may be selected based on specific customer needs (e.g., RFI filter, safety functions, protection level, braking IGBT, Bluetooth, etc.). If you require further customization, please consult WEG, who can assist in completing the drive selection according to your requirements.

W23 Sync+ (1800 RPM - IE5)

HP	kW	Frame	Poles	Weight (lb)	Power Factor 100 %	Efficiency 100 %	Rated current (A)	Inverter Parameter			Inverter	Inverter Current (A)
								Ld (mH)	Lq (mH)	ke (V/krpm)		
1	0.75	143/5T	4	40	0.86	88.2	1.24	322	1656	75.4	CFW500B02P6T4...	2.6
1.5	1.1	143/5T	4	46	0.87	89.5	1.76	226	1185	79.2	CFW500B02P6T4...	2.6
2	1.5	L143/5T	4	53	0.86	90.4	2.4	161	863	77.2	CFW500B02P6T4...	2.6
3	2.2	182/4T	4	86	0.77	91.4	4.05	142	519	49.2	CFW500B04P3T4...	4.3
5	3.7	182/4T	4	95	0.76	92.6	6.85	84.4	313	44.1	CFW500B10P0T4...	10
7.5	5.5	213/5T	4	132	0.82	93.4	9.29	51.6	226	67.2	CFW500B10P0T4...	10
10	7.5	213/5T	4	152	0.82	94.0	12.3	38.7	173	69.3	CFW500C14P0T4...	14
15	11	254/6T	4	273	0.77	94.6	19.7	19.4	109	18.4	CFW500D24P0T4...	24
20	15	254/6T	4	291	0.77	95.1	26.8	14.2	80.1	17.2	CFW500D31P0T4...	31
25	18.5	284/6T	4	392	0.79	95.3	31.1	12.3	68.3	44.8	CFW500E39P0T4...	45
30	22	284/6T	4	432	0.80	95.5	37.5	10	55.9	43.2	CFW500E39P0T4...	45
40	30	324/6T	4	518	0.79	95.9	50.2	8.4	44.0	51.7	CFW500E49P0T4...	58.5
50	37	324/6T	4	567	0.80	96.1	62.5	6.55	34.6	50.6	CFW500F77P0T4...	77
60	45	364/5T	4	765	0.79	96.3	77.8	4.91	27.1	52.7	CFW500F88P0T4...	88
75	55	364/5T	4	862	0.81	96.5	91.6	4.18	23.7	55.4	CFW500F105T4...	105
100	75	404/5T	4	1012	0.76	96.7	134	3.15	16.3	43.3	CFW500G142T4...	142
125	90	444/5T	8	1252	0.94	96.9	126	1.07	2.29	270	CFW500G142T4...	142
150	110	444/5T	8	1252	0.96	97.0	150	1.15	2.27	270	CFW500G180T4...	180
200	150	444/5T	8	1512	0.95	97.2	207	0.705	1.47	272	CFW500G211T4...	211
250	185	W504/5T	8	1797	0.95	97.3	252	0.72	1.43	277	CFW900F0315T4...	315
300	220	586/7	8	2612	0.95	97.4	301	0.874	1.44	252	CFW900F0315T4...	315
350	260	504/5T	8	2321	0.96	97.4	354	0.486	0.953	258	CFW900F0370T4...	370
400	300	5009/10	8	3530	0.96	97.4	406	0.481	0.966	268	CFW900G0430T4...	430
430	315	5009/10	8	3530	0.96	97.4	426	0.481	0.956	268	CFW900G0430T4...	430
450	330	5009/10	8	3594	0.96	97.4	446	0.463	0.921	269	CFW900G0480T4...	480
480	355	5009/10	8	3594	0.96	97.4	482	0.47	0.909	269	CFW900G0540T4...	540
500	370	5009/10	8	3693	0.95	97.4	508	0.402	0.764	259	CFW900G0540T4...	540
550	400	5009/10	8	3759	0.96	97.4	542	0.423	0.819	271	CFW900G0601T4...	601
600	440	5009/10	8	3922	0.96	97.4	597	0.376	0.726	269	CFW900G0601T4...	601
610	450	5010/11	8	4581	0.96	97.4	595	0.398	0.792	285	CFW900G0601T4...	601
650	480	5809/10	8	5033	0.95	97.4	654	0.488	0.811	268	CFW900H0760T4...	760
680	500	5809/10	8	5232	0.94	97.4	692	0.404	0.669	256	CFW900H0760T4...	760
700	515	5810/11	8	5882	0.92	97.4	744	0.328	0.544	241	CFW900H0760T4...	760
750	560	5810/11	8	6279	0.96	97.4	744	0.386	0.651	283	CFW900H0760T4...	760
800	590	6806/07	8	6471	0.91	97.4	861	0.302	0.53	247	CFW11087T4...	877
850	630	6808/9	8	7004	0.93	97.4	883	0.297	0.534	257	CFW111062T4...	1062
900	660	6808/9	8	7004	0.92	97.4	930	0.298	0.531	257	CFW111062T4...	1062
950	700	6809/10	8	7013	0.94	97.4	968	0.326	0.582	270	CFW111062T4...	1062

Note:

The main part of the drive code is indicated above. However, additional options and variations may be selected based on specific customer needs (e.g., RFI filter, safety functions, protection level, braking IGBT, Bluetooth, etc.). If you require further customization, please consult WEG, who can assist in completing the drive selection according to your requirements.

W23 Sync+ (3600 RPM - IE5)

HP	kW	Frame	Poles	Weight (lb)	Power Factor 100 %	Efficiency 100 %	Rated current (A)	Inverter Parameter			Inverter	Inverter Current (A)
								Ld (mH)	Lq (mH)	ke (V/krpm)		
1	0.75	143/5T	4	37	0.88	86.3	1.22	176	857	47.4	CFW500B02P6T4...	2.6
1.5	1.1	143/5T	4	37	0.86	87.8	1.82	114	575	38.9	CFW500B02P6T4...	2.6
2	1.5	143/5T	4	40	0.86	88.9	2.44	83.9	433	38.6	CFW500B02P6T4...	2.6
3	2.2	182/4T	4	73	0.77	90.2	4.08	72.9	258	27.7	CFW500B04P3T4...	4.3
5	3.7	182/4T	4	79	0.76	91.6	6.81	44.7	160	24.5	CFW500B10P0T4...	10
7.5	5.5	213/5T	4	121	0.83	92.6	9.08	25.5	112	39.6	CFW500B10P0T4...	10
10	7.5	213/5T	4	143	0.85	93.3	12	19.6	86.9	42.4	CFW500C14P0T4...	14
15	11	254/6T	4	243	0.77	94.0	19.7	10.3	54.4	10.9	CFW500D24P0T4...	24
20	15	254/6T	4	276	0.76	94.5	27.1	7.06	38.6	10	CFW500D31P0T4...	31
25	18.5	284/6TS	4	353	0.82	94.9	30.2	6.68	36	28	CFW500D31P0T4...	31
30	22	284/6TS	4	392	0.81	95.1	36.2	5.3	29	28	CFW500E39P0T4...	45
40	30	324/6TS	4	470	0.79	95.5	50.1	4.11	21	30.8	CFW500E49P0T4...	58.5
50	37	324/6TS	4	470	0.8	95.8	63.5	3.17	16.3	27.7	CFW500F77P0T4...	77
60	45	364/5TS	4	500	0.79	96.0	75.2	2.8	14.6	27.6	CFW500F77P0T4...	77
75	55	364/5TS	4	551	0.79	96.2	92.3	2.21	11.6	27.3	CFW500F0105T4...	105
100	75	404/5TS	4	858	0.78	96.5	132	1.56	8.29	23.4	CFW500G142T4...	142
125	90	W444/5TS	4	977	0.78	96.6	165	1.14	6.23	22.5	CFW500G180T4...	180
150	110	W444/5TS	4	1014	0.78	96.8	179	1.22	6.59	24.8	CFW500G180T4...	180
200	150	W504/5TS	8	1609	0.96	97.0	206	0.554	0.894	138	CFW500G211T4...	211
250	185	W504/5TS	8	1660	0.96	97.1	252	0.457	0.727	131	CFW900F0315T4...	315
300	220	W504/5TS	8	1788	0.96	97.2	301	0.361	0.579	128	CFW900F0315T4...	315
340	250	504/5TS	8	1984	0.95	97.2	342	0.43	0.7	122	CFW900F0370T4...	370
350	260	504/5TS	8	1984	0.95	97.2	355	0.429	0.697	122	CFW900F0370T4...	370
380	280	5009/10S	8	3351	0.96	97.2	381	0.328	0.542	123	CFW900G0430T4...	430
400	300	5009/10S	8	3415	0.96	97.2	407	0.316	0.523	125	CFW900G0430T4...	430
450	330	5009/10S	8	3576	0.96	97.2	449	0.274	0.454	124	CFW900G0480T4...	480
500	370	5009/10S	8	3741	0.96	97.2	501	0.251	0.415	126	CFW900G0540T4...	540
550	400	5809/10S	8	4941	0.95	97.2	548	0.272	0.432	127	CFW900G0601T4...	601
600	440	5809/10S	8	5137	0.96	97.2	596	0.275	0.434	133	CFW900G0601T4...	601
650	480	5809/10S	8	5216	0.9	97.2	718	0.194	0.302	114	CFW900H0760T4...	760
700	515	5810/11S	8	5866	0.93	97.2	718	0.212	0.331	124	CFW900H0760T4...	760

Note:

The main part of the drive code is indicated above. However, additional options and variations may be selected based on specific customer needs (e.g., RFI filter, safety functions, protection level, braking IGBT, Bluetooth, etc.). If you require further customization, please consult WEG, who can assist in completing the drive selection according to your requirements.



W23 Sync+ Ultra (1200 RPM - IE6)

HP	kW	Frame	Poles	Weight (lb)	Power Factor 100 %	Efficiency 100 %	Rated current (A)	Inverter Parameter			Inverter	Inverter Current (A)
								Ld (mH)	Lq (mH)	ke (V/krpm)		
1	0.75	143/5T	4	51	0.88	88.6	1.21	483	2521	124	CFW500B02P6T4...	2.6
1.5	1.1	182/4T	4	86	0.79	89.8	2.02	411	1500	83.1	CFW500B02P6T4...	2.6
2	1.5	182/4T	4	95	0.79	90.7	2.72	305	1128	82.4	CFW500B04P3T4...	4.3
3	2.2	213/5T	4	152	0.88	91.8	3.37	217	939	149	CFW500B04P3T4...	4.3
5	3.7	213/5T	4	163	0.86	93	5.81	124	556	124	CFW500B06P5T4...	6.5
7.5	5.5	254/6T	4	273	0.79	93.8	9.69	61.5	334	31.4	CFW500B10P0T4...	10
10	7.5	254/6T	4	309	0.77	94.3	13.4	41.8	235	28.4	CFW500C14P0T4...	14
15	11	284/6T	4	412	0.81	95.0	18.0	31.9	178	74	CFW500D24P0T4...	24
20	15	284/6T	4	452	0.79	95.4	25.0	22.9	128	67.3	CFW500D31P0T4...	31
25	18.5	324/6T	4	518	0.79	95.7	31.0	19.6	103	78.5	CFW500D31P0T4...	31
30	22	324/6T	4	567	0.79	95.9	37.1	16	85.1	78.2	CFW500E39P0T4...	45
40	30	364/5T	4	796	0.81	96.2	50.3	11.3	63.7	82.9	CFW500E49P0T4...	58.5
50	37	364/5T	4	862	0.81	96.5	62.4	9.03	51.2	81.5	CFW500F77P0T4...	77
60	45	W444/5T	4	1052	0.78	96.6	78.1	7.91	42.3	67.5	CFW500F88P0T4...	88
75	55	W444/5T	4	1131	0.77	96.8	96.8	6.35	33.9	66.1	CFW500F105T4...	105
100	75	444/5T	8	1246	0.96	97.0	102	2.37	4.59	389	CFW500F105T4...	105
125	90	444/5T	8	1305	0.96	97.2	123	2.34	4.59	405	CFW500G0142T4...	142
150	110	W504/5T	8	1667	0.96	97.3	150	1.86	3.7	408	CFW500G0180T4...	180
200	150	W504/5T	8	1876	0.96	97.5	203	1.41	2.77	407	CFW500G0211T4...	211
250	185	586/7	8	2612	0.94	97.6	256	2.04	3.33	387	CFW900F0315T4...	315
270	200	5009/10	8	3267	0.96	97.6	272	1.33	2.53	396	CFW900F0315T4...	315
300	220	504/5T	8	2258	0.95	97.6	302	1.18	2.19	389	CFW900F0315T4...	315
350	260	5009/10	8	3596	0.96	97.6	353	0.981	1.88	395	CFW900F0370T4...	370
380	280	5009/10	8	3691	0.93	97.6	393	0.826	1.52	374	CFW900G0430T4...	430
400	300	5009/10	8	3757	0.95	97.6	411	0.87	1.63	392	CFW900G0430T4...	430
430	315	5009/10	8	3858	0.96	97.6	426	0.866	1.68	406	CFW900G0430T4...	430
450	330	5009/10	8	3922	0.92	97.6	473	0.688	1.25	368	CFW900G0480T4...	480
480	355	5010/11	8	4650	0.95	97.6	485	0.686	1.3	388	CFW900G0540T4...	540
500	370	5010/11	8	4749	0.96	97.6	499	0.728	1.42	409	CFW900G0540T4...	540
550	400	5809/10	8	5033	0.91	97.6	574	0.905	1.45	369	CFW900G0601T4...	601
600	440	5809/10	8	5232	0.91	97.6	631	0.83	1.33	371	CFW900H0760T4...	760
610	450	5809/10	8	5351	0.93	97.6	628	0.879	1.43	391	CFW900H0760T4...	760
650	480	6806/07	8	6354	0.92	97.6	678	0.716	1.25	384	CFW900H0760T4...	760
680	500	6806/07	8	6462	0.94	97.6	694	0.744	1.31	398	CFW900H0760T4...	760
700	515	6808/9	8	6907	0.89	97.6	787	0.553	0.941	352	CFW110795T4...	795
750	560	6808/9	8	7273	0.91	97.6	798	0.56	0.976	377	CFW110877T4...	877
800	590	6808/9	8	7434	0.93	97.6	822	0.589	1.04	394	CFW110877T4...	877
850	630	6809/10	8	8375	0.89	97.6	1028	0.394	0.676	333	CFW111062T4...	1062
900	660	6809/10	8	8644	0.86	97.6	1012	0.42	0.707	355	CFW111062T4...	1062

Note:

The main part of the drive code is indicated above. However, additional options and variations may be selected based on specific customer needs (e.g., RFI filter, safety functions, protection level, braking IGBT, Bluetooth, etc.). If you require further customization, please consult WEG, who can assist in completing the drive selection according to your requirements.

W23 Sync+ Ultra (1800 RPM - IE6)

HP	kW	Frame	Poles	Weight (lb)	Power Factor 100 %	Efficiency 100 %	Rated current (A)	Inverter Parameter			Inverter	Inverter Current (A)
								Ld (mH)	Lq (mH)	ke (V/krpm)		
1	0.75	143/5T	4	46	0.89	90.6	1.17	345	1753	96.2	CFW500B02P6T4...	2.6
1.5	1.1	L143/5T	4	57	0.89	91.6	1.69	235	1212	96.4	CFW500B02P6T4...	2.6
2	1.5	L143/5T	4	57	0.87	92.3	2.37	165	876	82.3	CFW500B02P6T4...	2.6
3	2.2	182/4T	4	95	0.79	93.1	3.93	145	535	56.9	CFW500B04P3T4...	4.3
5	3.7	182/4T	4	106	0.77	94.1	6.68	86.3	320	50.1	CFW500B10P0T4...	10
7.5	5.5	213/5T	4	152	0.81	94.7	9.23	46.8	211	74.4	CFW500B10P0T4...	10
10	7.5	213/5T	4	152	0.82	95.2	12.5	38.5	171	70.4	CFW500C14P0T4...	14
15	11	254/6T	4	291	0.76	95.7	19.8	18.6	104	19.7	CFW500D24P0T4...	24
20	15	254/6T	4	357	0.78	96.1	26.2	14.6	82.6	20.2	CFW500D31P0T4...	31
25	18.5	284/6T	4	412	0.81	96.2	30.4	13	71.6	48.6	CFW500D31P0T4...	31
30	22	284/6T	4	432	0.79	96.4	36.6	10.9	59.5	45.5	CFW500E39P0T4...	45
40	30	324/6T	4	567	0.79	96.7	49.8	8.17	43.1	55.7	CFW500E49P0T4...	58.5
50	37	324/6T	4	617	0.79	96.9	62.0	6.43	34.1	54.1	CFW500F77P0T4...	77
60	45	364/5T	4	829	0.81	97.0	75.6	5.04	28.1	57.9	CFW500F77P0T4...	77
75	55	364/5T	4	895	0.81	97.2	93	4.09	22.8	57	CFW500F0105T4...	105
100	75	404/5T	4	1089	0.78	97.4	136	2.94	15.4	44.4	CFW500G0142T4...	142
125	90	444/5T	8	1252	0.96	97.5	122	0.955	2.05	259	CFW500G0142T4...	142
150	110	444/5T	8	1382	0.96	97.6	151	0.544	1.49	251	CFW500G0180T4...	180
200	150	W504/5T	8	1669	0.96	97.8	204	0.844	1.68	273	CFW500G0211T4...	211
250	185	W504/5T	8	1797	0.96	97.8	251	0.717	1.41	275	CFW900F0315T4...	315
300	220	586/7	8	2612	0.96	97.9	297	0.994	1.66	268	CFW900F0315T4...	315
350	260	504/5T	8	2321	0.95	97.9	355	0.482	0.947	254	CFW900F0370T4...	370
400	300	5009/10	8	3530	0.96	97.9	405	0.473	0.956	265	CFW900G0430T4...	430
430	315	5009/10	8	3530	0.96	97.9	428	0.478	0.951	265	CFW900G0430T4...	430
450	330	5009/10	8	3594	0.96	97.9	446	0.457	0.911	266	CFW900G0480T4...	480
480	355	5009/10	8	3594	0.96	97.9	481	0.466	0.901	266	CFW900G0540T4...	540
500	370	5009/10	8	3693	0.95	97.9	508	0.398	0.758	255	CFW900G0540T4...	540
550	400	5009/10	8	3759	0.96	97.9	542	0.422	0.813	267	CFW900G0601T4...	601
600	440	5009/10	8	3922	0.96	97.9	596	0.373	0.72	266	CFW900G0601T4...	601
610	450	5010/11	8	4581	0.96	97.9	596	0.393	0.784	282	CFW900G0601T4...	601
650	480	5809/10	8	5232	0.95	97.9	659	0.405	0.672	257	CFW900H0760T4...	760
680	500	5809/10	8	5232	0.94	97.9	690	0.405	0.669	257	CFW900H0760T4...	760
700	515	5810/11	8	5882	0.92	97.9	741	0.329	0.544	242	CFW900H0760T4...	760
750	560	5810/11	8	6279	0.96	97.9	744	0.386	0.651	283	CFW900H0760T4...	760
800	590	6806/07	8	6471	0.91	97.9	858	0.295	0.518	247	CFW110877T4...	877
850	630	6808/9	8	7004	0.93	97.9	879	0.291	0.524	258	CFW111062T4...	1062
900	660	6808/9	8	7004	0.93	97.9	926	0.292	0.522	258	CFW111062T4...	1062
950	700	6809/10	8	7013	0.94	97.9	968	0.326	0.582	270	CFW111062T4...	1062

Note:

The main part of the drive code is indicated above. However, additional options and variations may be selected based on specific customer needs (e.g., RFI filter, safety functions, protection level, braking IGBT, Bluetooth, etc.). If you require further customization, please consult WEG, who can assist in completing the drive selection according to your requirements.

W23 Sync+ Ultra (3600 RPM - IE6)

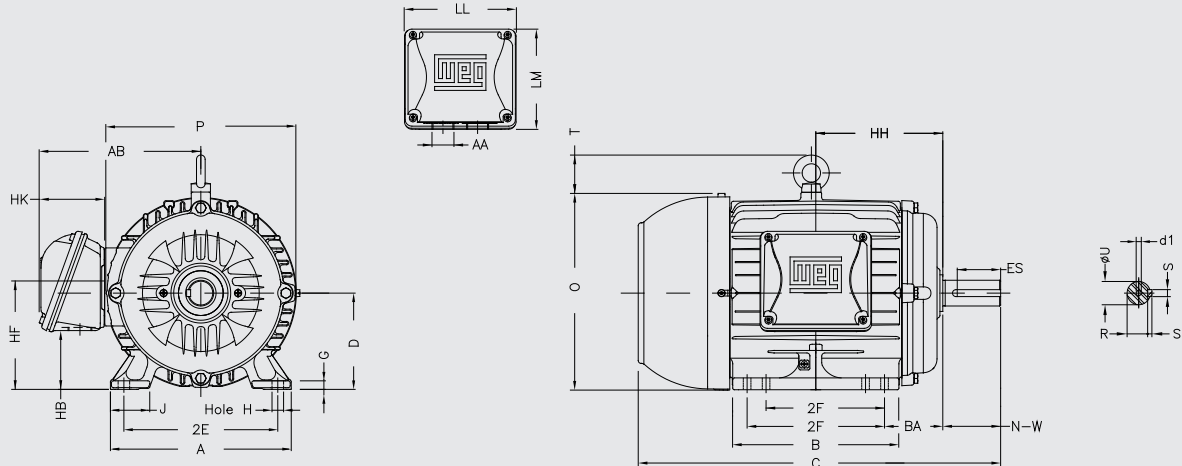
HP	kW	Frame	Poles	Weight (lbm)	Power Factor 100 %	Efficiency 100 %	Rated current (A)	Inverter Parameter			Inverter	Inverter Current (A)
								Ld (mH)	Lq (mH)	ke (V/krpm)		
1	0.75	143/5T	4	40	0.9	89.0	1.18	175	865	54.4	CFW500B02P6T4...	2.6
1.5	1.1	143/5T	4	44	0.9	90.2	1.71	123	612	50.9	CFW500B02P6T4...	2.6
2	1.5	143/5T	4	49	0.88	91.1	2.35	86.1	438	48.1	CFW500B02P6T4...	2.6
3	2.2	182/4T	4	73	0.77	92.2	4.08	73.6	259	27.8	CFW500B04P3T4...	4.3
5	3.7	182/4T	4	79	0.76	93.3	6.81	44.9	160	24.6	CFW500B10P0T4...	10
7.5	5.5	213/5T	4	121	0.82	94.1	9.07	25.3	111	40.2	CFW500B10P0T4...	10
10	7.5	213/5T	4	143	0.85	94.6	11.9	19.5	86.6	43.1	CFW500C14P0T4...	14
15	11	254/6T	4	243	0.77	95.2	19.6	10.3	54.7	11.3	CFW500D24P0T4...	24
20	15	254/6T	4	276	0.78	95.6	26.4	7.67	41.5	10.8	CFW500D31P0T4...	31
25	18.5	284/6TS	4	353	0.82	95.9	30.1	6.79	36.2	28.5	CFW500D31P0T4...	31
30	22	284/6TS	4	392	0.81	96.1	36	5.34	29.1	28.5	CFW500E39P0T4...	45
40	30	324/6TS	4	470	0.79	96.4	49.9	4.13	21.2	30.9	CFW500E49P0T4...	58.5
50	37	324/6TS	4	470	0.8	96.6	63.2	3.17	16.4	27.8	CFW500F77P0T4...	77
60	45	364/5TS	4	500	0.79	96.8	75.3	2.78	14.4	27.8	CFW500F77P0T4...	77
75	55	364/5TS	4	551	0.79	97.0	92.5	2.19	11.5	27.6	CFW500F0105T4...	105
100	75	404/5TS	4	858	0.78	97.2	133	1.56	8.11	23.7	CFW500G0142T4...	142
125	90	W444/5TS	4	977	0.78	97.3	167	1.15	6.13	22.8	CFW500G0180T4...	180
150	110	W444/5TS	4	1014	0.78	97.4	182	1.22	6.41	25.1	CFW500G0211T4...	211
200	150	W504/5TS	8	1607	0.96	97.6	204	0.497	0.81	132	CFW500G0211T4...	211
250	185	W504/5TS	8	1660	0.96	97.7	251	0.452	0.726	131	CFW900F0315T4...	315
300	220	W504/5TS	8	1788	0.96	97.8	301	0.361	0.579	128	CFW900F0315T4...	315
340	250	504/5TS	8	1984	0.95	97.8	342	0.43	0.7	122	CFW900F0370T4...	370
350	260	504/5TS	8	1984	0.95	97.8	355	0.429	0.697	122	CFW900F0370T4...	370
380	280	5009/10S	8	3351	0.96	97.8	381	0.328	0.542	123	CFW900G0430T4...	430
400	300	5009/10S	8	3415	0.96	97.8	407	0.316	0.523	125	CFW900G0430T4...	430
450	330	5009/10S	8	3576	0.96	97.8	449	0.274	0.454	124	CFW900G0480T4...	480
500	370	5009/10S	8	3741	0.96	97.8	501	0.251	0.415	126	CFW900G0540T4...	540
550	400	5809/10S	8	4941	0.95	97.8	548	0.272	0.432	127	CFW900G0601T4...	601
600	440	5809/10S	8	5137	0.96	97.8	596	0.275	0.434	133	CFW900G0601T4...	601
650	480	5809/10S	8	5216	0.9	97.8	718	0.194	0.302	114	CFW900H0760T4...	760
700	515.2	5810/11S	8	5866	0.93	97.8	718	0.212	0.331	124	CFW900H0760T4...	760

Note:

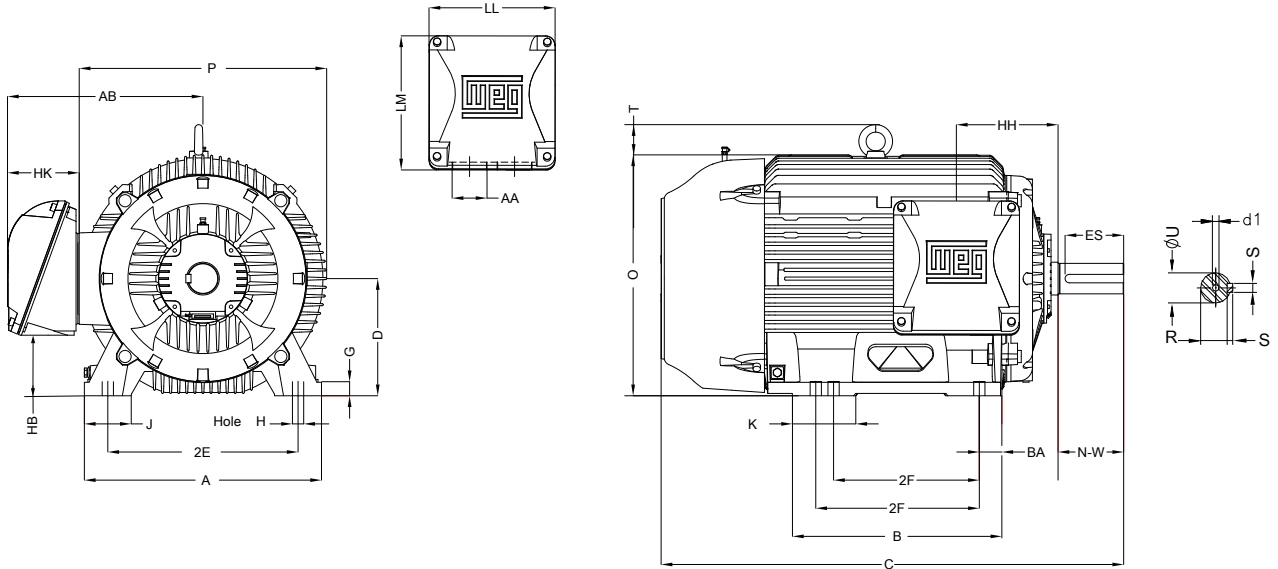
The main part of the drive code is indicated above. However, additional options and variations may be selected based on specific customer needs (e.g., RFI filter, safety functions, protection level, braking IGBT, Bluetooth, etc.). If you require further customization, please consult WEG, who can assist in completing the drive selection according to your requirements.

Mechanical Data

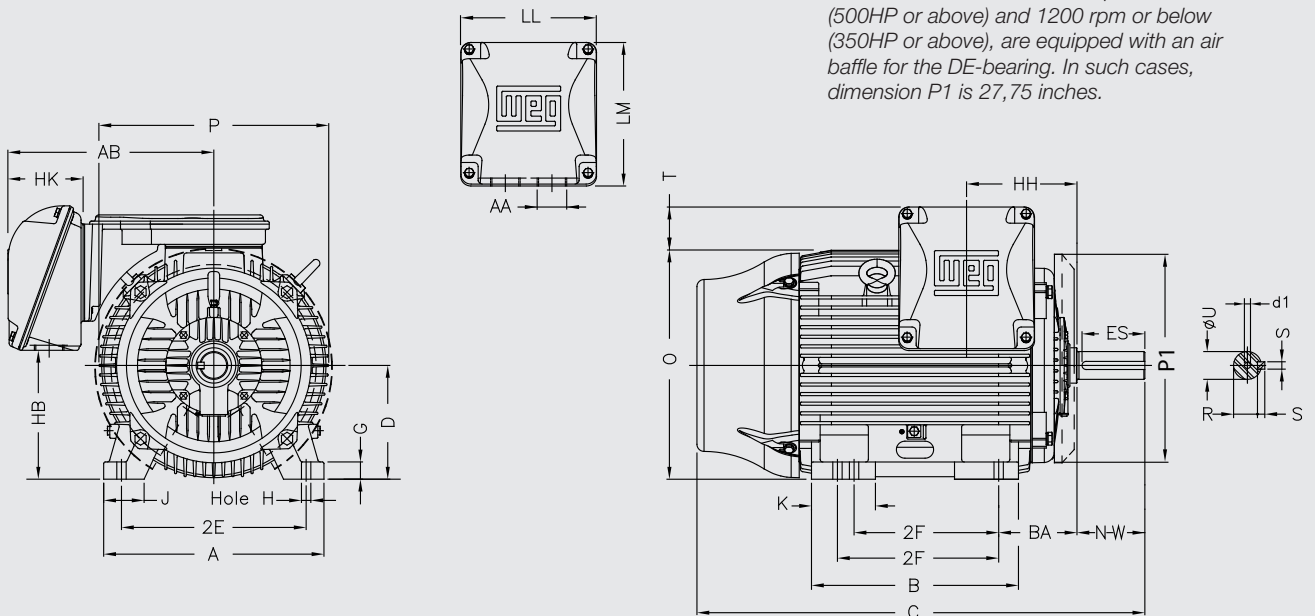
Frame 143T to 215T



Frames 254T to W444/5T

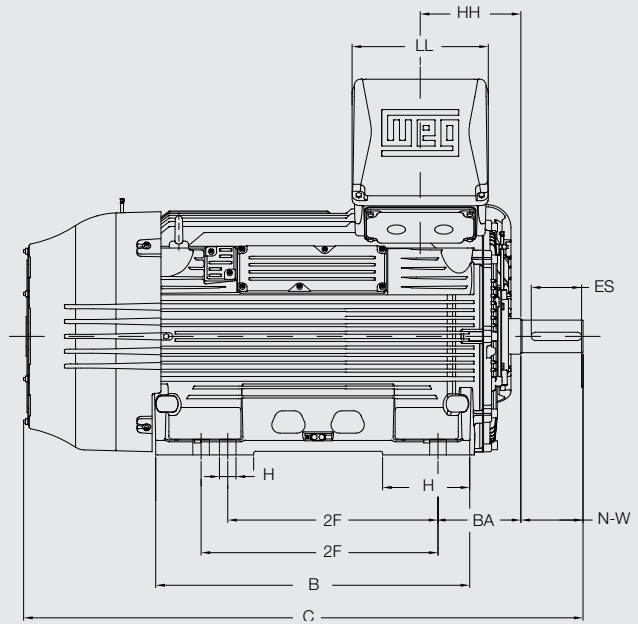
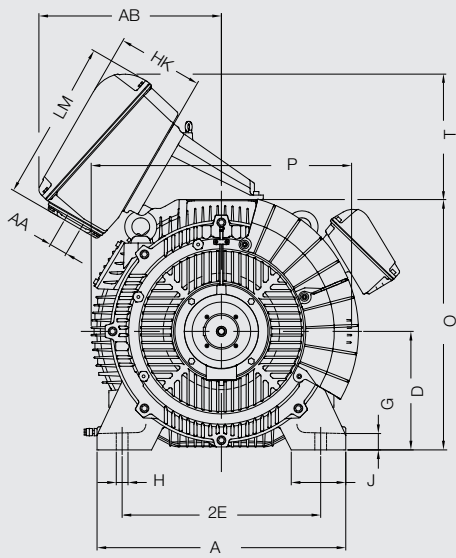


Frames 444/5T to 586/7



Motors in frame 586/7, 1800 rpm or below (500HP or above) and 1200 rpm or below (350HP or above), are equipped with an air baffle for the DE-bearing. In such cases, dimension P1 is 27,75 inches.

Frames 5009/10 to 7009/10





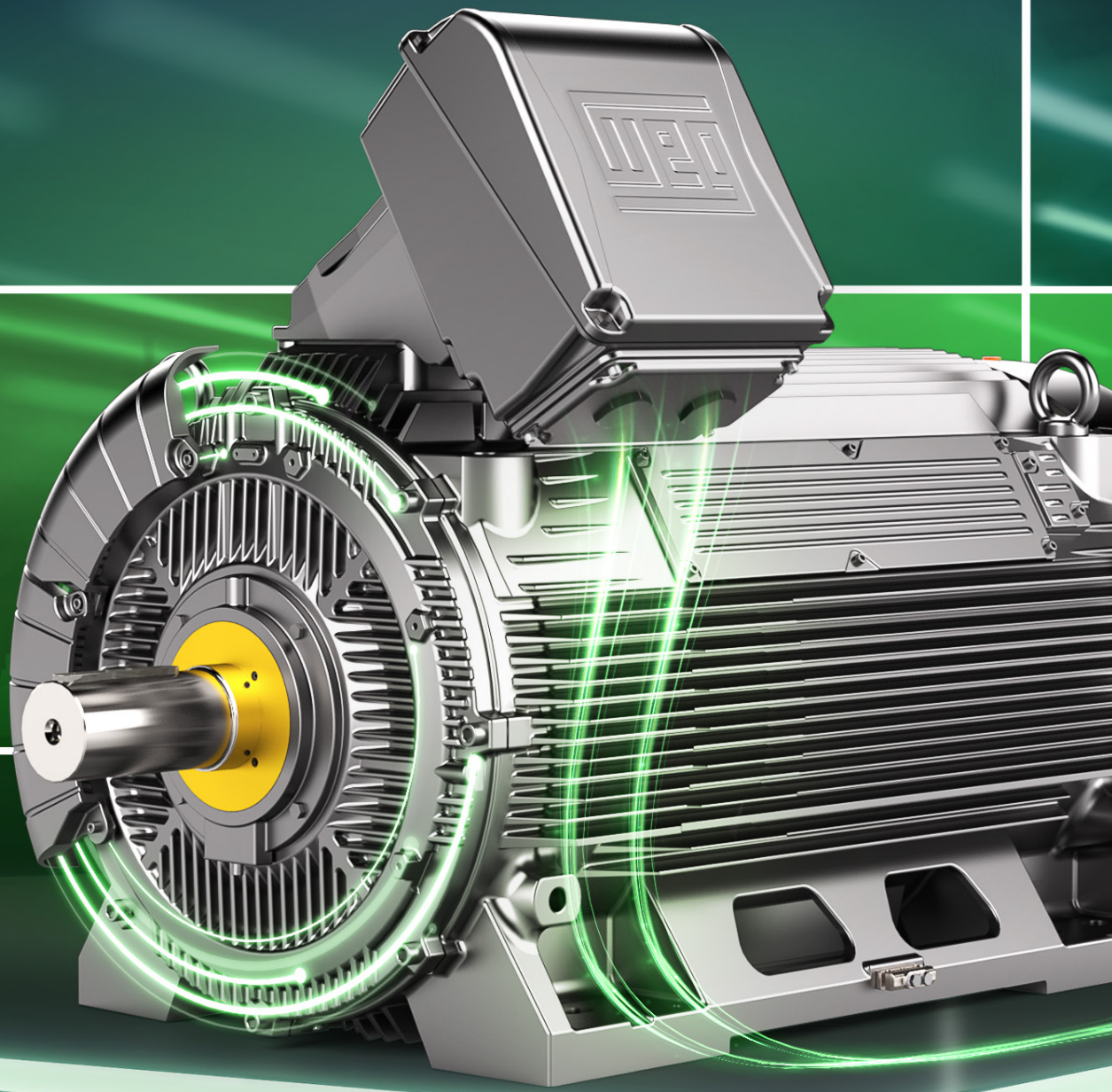
Frame	FEET										T. BOX					KEYWAY			SHAFT END									
	2E	2F		H	BA	D	J	A	K	B	G	HK	HH	LL	LM	AA	S	R	ES	N-W	U	D1						
143T	5.500	4.000		0.340	2.250	3.500	1.457	6.457		5.157	0.354	2.323	4.252	4.252	3.858	NPT 3/4"	0.187	0.771	1.575	2.250	0.875	A 3.15						
L143T																												
143/5T		4.000	5.000																									
L143/5T		4.000	5.000																									
145T		5.000																										
L145T	5.000																											
182T	7.500	4.500		0.410	2.750	4.500	1.614	8.661		5.945	0.394	3.150	5.000		5.512	5.236	NPT 1"	0.250	0.984	1.969	2.750	1.125	A4					
L182T																												
182/4T		4.500	5.500																									
L182/4T		4.500	5.500																									
184T		5.500																										
L184T	5.500																											
213T	8.500	5.500		0.410	3.500	5.250	1.791	9.764	2.165	7.362	0.669	3.150	6.260		5.512	5.236	NPT 1"	0.313	1.203	2.480	3.375	1.375	A4					
L213T																												
213/5T		5.500	7.000																									
L213/5T		5.500	7.000																									
215T		7.000																										
L215T	7.000																											
254T	10.000	8.250		0.531	4.250	6.250	1.417	11.496		9.685	0.620	4.055	8.384															
L254T		8.250								11.417			8.384															
256T	11.000	9.500		0.531	4.750	7.000	2.008	12.953		11.339	0.642	4.055	9.494	7.815	7.480	NPT 1 1/2"	0.375	1.416	2.756	4.000	1.625							
L256T		9.500								11.339			9.494															
284T		11.000								12.795			8.352															
284TS		11.000								12.795			8.352															
286T		11.000								12.795			8.352															
286TS	11.000		12.795	8.352																								
324T	12.500	10.500		0.657	5.250	8.000	2.559	15.157	3.425	12.992	1.110	4.705	8.085	9.055	8.661	NPT 2"	0.500	1.844	3.937	5.250	2.125							
L324T		10.500								12.992			8.085															
324/6T		10.500	12.000							14.528			8.242															
324/6TS		10.500	12.000							14.528			8.242															
324/6TS		10.500	12.000							14.528			8.242															
W364/5T	14.016	11.260	12.244	0.660	5.875	9.000	3.150	17.165	3.346	14.665	1.126	6.642	8.985	10.591	12.283	NPT 3"	0.625	2.019	4.331	5.874	2.375							
W364/5TS										14.665			1.126											8.985				
364/5T										14.665			1.126											8.985				
364/5TS										14.665			1.126											8.985				
404/5T										14.665			1.126											8.985				
404/5TS	14.665	1.126	8.985																									
W444/5T	15.984	12.244	13.740	0.810	6.625	10.000	3.346	19.134	5.197	4.646	17.559	1.339	8.633	12.362	12.283	2xNPT 3"	0.625	2.019	4.331	5.874	2.375							
W444/5TS										4.646			1.339											8.633				
444/5T										4.646			1.339											8.633				
444/5TS										4.646			1.339											8.633				
504/5T										4.646			1.339											8.633				
504/5TS	4.646	1.339	8.633																									
W504/5	18.000	14.500	16.500	0.810	7.500	11.000	3.937	21.929	5.591	4.252	20.039	1.157	9.685	12.362	12.283	2xNPT 3"	0.625	2.021	3.000	4.750	2.375							
W504/5S										4.252			1.157											9.685				
504/5										4.252			1.157											9.685				
504/5S										4.252			1.157											9.685				
586/7										4.252			1.157											9.685				
5009/10S	20.000	28.000	32.000	1.181	8.500	12.500	5.276	24.725	24.725	35.585	2.073	11.410	12.628	18.110	28.734	2xNPT 3"	0.625	2.021	4.330	4.750	2.375							
5009/10																								0.625	2.021	4.330	4.750	2.375
5809/10S																								0.625	2.021	4.330	4.750	2.375
5809/10																								0.625	2.021	4.330	4.750	2.375
6806/7S																								0.625	2.021	4.330	4.750	2.375
6806/7	27.000	28.000	32.000	1.417	11.500		17.000	7.050	33.071	11.740		18.805	13.862	21.850	32.874	2xNPT 4"	0.750	2.831	4.330	5.750	3.250	UNC3/4"-10						
6806/7																								0.750	2.831	4.330	5.750	3.250
6808/9S																								0.750	2.831	4.330	5.750	3.250
6808/9																								0.750	2.831	4.330	5.750	3.250
7006/7S																								0.750	2.831	4.330	5.750	3.250
7006/7	30.000	32.000	36.000	1.417	11.500		17.500	8.145	37.008	13.841		18.805	13.780	21.850	32.874	2xNPT 4"	0.875	2.880	5.512	6.750	3.375	UNC7/8"-9						
7006/7																								0.875	2.880	5.512	6.750	3.375
7008/9S																								0.875	2.880	5.512	6.750	3.375
7008/9																								0.875	2.880	5.512	6.750	3.375
7008/9																								0.875	2.880	5.512	6.750	3.375
5010/11S	20.000	36.000	45.000	12.102	8.500	12.500	5.174	25.591		46.172	2.105	11.410	14.311	18.110	21.417	2xNPT 3"	0.625	2.021	4.330	4.750	2.375	UNC3/4"-10						
5010/11																								0.625	2.021	4.330	4.750	2.375
5810/11S																								0.625	2.021	4.330	4.750	2.375
5810/11																								0.625	2.021	4.330	4.750	2.375
6809/10S																								0.625	2.021	4.330	4.750	2.375
6809/10	27.000	45.000	50.000	17.343	11.500	17.000	6.904	33.071		33.071	2.066	11.410	13.902	6.178	21.417	2xNPT 4"	0.750	2.831	4.330	5.750	3.250	UNC3/4"-10						
6809/10																								0.750	2.831	4.330	5.750	3.250
7009/10S																								0.750	2.831	4.330	5.750	3.250
7009/10																								0.750	2.831	4.330	5.750	3.250
7009/10																								0.750	2.831	4.330	5.750	3.250
7009/10	30.000	50.000	50.000	18.786	17.500	8.983	37.008		37.008	1.868		13.622				2xNPT 4"	1.250	4.423	9.842	11.625	5.125	UNC 1.1/4" -7						
7009/10																								2xNPT 3"	1.250	4.423	9.842	11.625

Note: Dimensions in inches.

Frame	EXTERNAL						BEARINGS						
	C	P	AB	O	T	AB	HB	D.E.	N.D.E.				
143T	12.362	7.244	5.886	7.122	-	5.886	1.850	6205 ZZ	6204 ZZ				
L143T	13.583												
143/5T	13.346												
L143/5T	14.566												
145T	13.358												
L145T	14.566												
182T	14.860	8.897	7.559	8.897	2.000	7.559	2.244	6207 ZZ	6206 ZZ				
L182T	16.041												
182/4T	15.860												
L182/4T	17.041												
184T	15.860												
L184T	17.041												
213T	18.021	10.787	8.602	10.508	2.000	8.602	2.992	6308 ZZ	6207 ZZ				
L213T	19.083												
213/5T	19.517												
L213/5T	20.461												
215T	19.517												
L215T	20.461												
254T	23.959	14.213	10.945	13.140	4.055	10.945	2.766	6309 C3	6209 C3				
256T	25.691												
284T	26.852												
284TS	25.440	15.315	11.575	14.520	4.055	11.575	3.516	6311 C3		6209 C3			
286T	28.348												
286TS	26.936												
324T	29.634	16.299	13.130	16.425	4.705	13.130	4.102	6312 C3			6209 C3		
324TS	28.134												
324/6T	31.130												
324/6TS	29.630												
W364/5T	32.497		15.079	17.425	6.642	15.079	4.846	6314 C3	6212 C3				
W364/5TS	30.371												
364/5T	36.316	19.213	15.551	18.606	5.945	15.551	4.256	6316 C3	6209 C3				
364/5TS	34.190												
404/5T	40.607	20.787	16.417	20.394	6.024	16.417	5.256	6316 C3		6209 C3			
404/5TS	37.607			21.394									
W444/5T	42.969										6319 C3		
W444/5TS	39.219			6314 C3									
444/5T	45.157	23.583	18.563	22.795	-	18.563	5.689	6319 C3			6209 C3		
W504/5	49.327												
W504/5S	43.447	23.583	18.701	24.291	6.909	17.638	16.693	6314 C3				6209 C3	
504/5	54.094												
504/5S	48.228	25.866	20.591	25.425	5.000	20.591	15.177	6314 C3	6209 C3				
586/7	61.890												
5009/10S	64.159	27.795	26.133	26.083	16.650	26.133	18.583	6322 C3		6209 C3			
5009/10	70.035												
5809/10S	71.089	31.102	30.051	30.051	16.650	34.987	18.583	6314 C3					6209 C3
5809/10	77.964												
6806/7S	72.348	34.646	34.987	34.520	16.647	34.987	18.583	6314 C3			6209 C3		
6806/7	78.224												
6808/9S	78.254												
6808/9	84.129												
7006/7S	79.742	38.740	36.870	36.870	16.647	34.987	18.583	6314 C3	6209 C3				
7006/7	84.617												
7008/9S	85.648												
7008/9	90.523												
5010/11S	71.380	28.647	24.382	26.870	16.658	24.382	18.583	6314 C3		6209 C3			
5010/11	77.225												
5810/11S	76.864	31.404	24.440	30.642	16.724	24.440	18.583	6314 C3			6209 C3		
5810/11	83.739												
6809/10S	83.841	34.949	24.382	34.717	16.650	24.382	18.583	6314 C3				6209 C3	
6809/10	89.716												
7009/10S	93.400	38.099	24.406	37.579	16.758	24.406	18.583	6328 M-C3	6209 C3				
7009/10	98.275												

Note: Dimensions in inches.

W23 Sync+ Ultra





W23 Sync+Ultra, the most efficient industrial motor ever created.

The search for sustainable innovation, as well as quality and trust in everything WEG thinks and does, resulted in the W23 Sync+. It is the largest line of synchronous electric motors with IE6 efficiency on the market.

With the same induction motor power-to-frame ratio, the new solution is innovative in all its features and superior on all levels.

Easily interchangeable, the W23 Sync+ was developed to provide maximum performance at all speeds. It is a perfect combination of technology and sustainability that consumes less energy and reduces CO2 emissions, generating a positive balance for the environment, with excellent cost-benefit.

Driving efficiency and sustainability



The WEG Group's scope of solutions is not limited to the products and solutions presented in this catalog.


To learn more about our portfolio, contact us.

Learn about WEG's
global operations




www.weg.net



 +55 47 3276.4000

 motores@weg.net

 Jaraguá do Sul - SC - Brazil