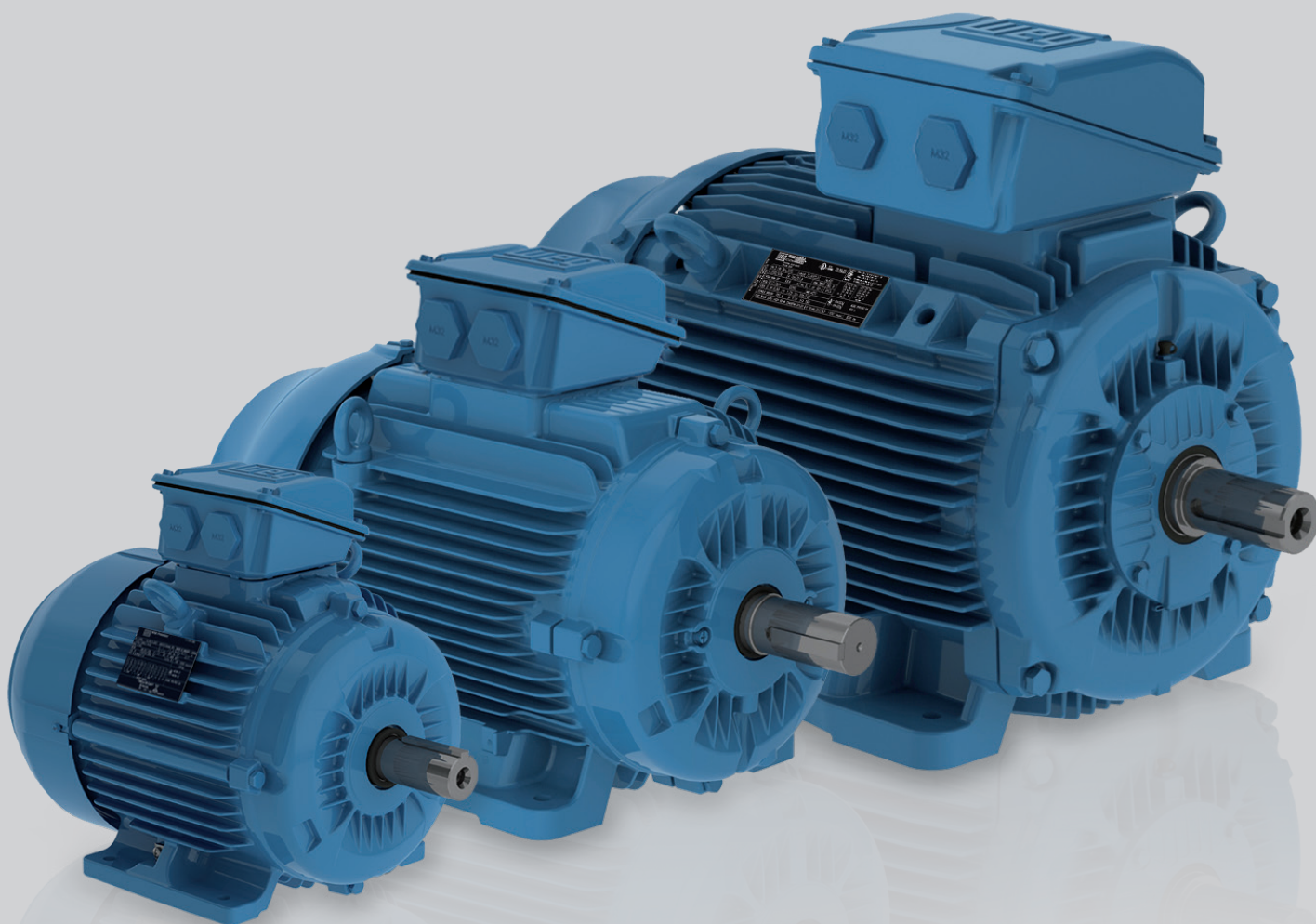


W22Xec

Increased Safety Motors / Dust Ignition Proof

Technical Catalogue
European Market



Motors | Automation | Energy | Transmission & Distribution | Coatings

1. Standards and Classification of Explosive Atmospheres

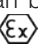
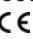
1.1 ATEX Directives

The ATEX Directives were adopted by the European Union (EU) to simplify free trade between member states whilst aligning the technical and legal requirements for products utilised in potentially explosive atmospheres.

The ATEX Product Directive 2014/34/EU (“ATEX 114”), effective from 20th April 2016 (and replacing the former 94/9/EC or “ATEX 95”), places responsibilities on the equipment manufacturer, whereas the Worker Protection Directive 1999/92/EC - “ATEX 153” (formerly “ATEX 137”) places obligations on the end user.

Manufacturers’ products must comply with the Essential Health and Safety Requirements for equipment intended for use in potentially explosive atmospheres, and follow a Conformity Assessment Procedure.

This Procedure requires the manufacturer to obtain from a Notified Body (“Ex NB”) an EC Type Examination Certificate for the relevant product(s), a Production Quality Assurance Notification (assessed and periodically audited by an ExNB) and the internal production control by the manufacturer to guarantee the products are in compliance with the ATEX Directive.

ATEX compliant products can be easily recognised by the explosion protection symbol  and the  mark certifying conformity with the Product Directive.

Directive 1999/99/EC (“ATEX 137”) lays down the minimum requirements for improving the safety and health protection of workers at risk from explosive atmospheres, and also classifies the environment into zones and outlines which category of equipment can be used in each zone.

Further, the Directive highlights the responsibilities of End Users to assess potential risks of their workplaces and equipment, prepare an Explosion Protection Document and provide suitable warning signage for areas where explosive atmospheres may occur.



Figure 1 - ATEX Directives Logo

1.2 IECEx System

According to its website, www.iecex.com, the objective of the IECEx System is defined as the means “to facilitate international trade in equipment and services utilized in potentially explosive atmospheres, whilst maintaining the required level of safety”.

The IECEx System is based on the use of International Electrotechnical Commission (IEC) standards, and is a certification system which verifies compliance to those standards associated with the safe use of equipment in installations where a potential risk of fire or explosion may exist.

An IECEx Quality Assessment Report (“QAR”) is provided once the results of an on-site assessment of the manufacturer’s quality management system has been conducted by the ExCB, and found to be in compliance with the requirements of the IECEx Certified Equipment Scheme and, most importantly, the document IECEx OD 005.

Thereafter, the ExCB will review and endorse the ExTR and QAR and then issue the IECEx Certificate of Conformity (“CoC”). IECEx certificates are issued electronically and are all available for viewing or printing on the IECEx public access website.



Figure 2 - IECEx System Logo

2. Hazardous Areas

According to the IEC 60079-10-1 and IEC 60079-10-2 standards, the definition of an Explosive Atmosphere is a “mixture with air, under atmospheric conditions, of flammable substances in the form of gas, vapors, dust, fibers, or flyings which, after ignition, permits self-sustaining propagation”.

A Hazardous Area is “an area in which an explosive atmosphere is or may be expected to be present, in quantities such as to require special precautions for the construction, installation and use of equipment”.

Explosions may occur either due to the transfer of flames or through overheating. For this reason, motors with flameproof protection are constructed in such a way as to prevent propagation of an internal explosion in to the hazardous area in which they are installed.

Hazardous areas are classified through Zones, Groups and Temperature Classes.

The classifications according to the International Electrotechnical Commission (IEC) are shown in the Sections 2.1, 2.2, 2.3 and 2.4.

2.1 Classification per Zones

Based upon the frequency of the occurrence and duration of an explosive atmosphere and based on the type of flammable material (gases/vapors or dusts):

- **IEC Zone 0 (gases/vapours) or 20 (dusts)**
An explosive atmosphere with continuous grade of release.
- **IEC Zone 1 (gases/vapours) or 21 (dusts)**
An explosive atmosphere with primary grade of release.
- **IEC Zone 2 (gases/vapours) or 22 (dusts)**
An explosive atmosphere with secondary grade of release.

Zone 2/22: area in which an explosive atmosphere is not likely to occur in normal operation but, if it does occur, will persist for a short period only.

Zone 1/21: area in which an explosive atmosphere is likely to occur in normal operation occasionally.

Zone 0/20: area in which an explosive atmosphere is present continuously or for long periods or frequently.

(not applicable for motors and generators)



W22Xec is able to be installed in Zone 2 and 22.

2.2 Classification per Groups

Subdivision according to the type of flammable material present.

IEC Group I: gases present in underground coal mines (example: methane)

IEC Group II: gases present in other explosive atmospheres. Group II subdivisions:

- **IEC Group IIA:** example: Propane
- **IEC Group IIB:** example: Ethylene
- **IEC Group IIC:** example: Hydrogen

IEC Group III: dusts
Group III subdivisions:

- **IEC Group IIIA:** solid particles, larger than 500 µm suspended - combustible dusts.
- **IEC Group IIIB:** non-conductive dust, equal or smaller than 500 µm, with electrical resistivity greater than to 10³ Ω.m - grime.
- **IEC Group IIIC:** conductive dust, equal or smaller than 500 µm, with electrical resistivity less than or equal to 10³ Ω.m - metallic dust.

2.3 Classification per Temperature Classes

According to the temperature limitation, related to the ignition temperature of the flammable material present. The IEC 60079-0 defines the limits for electrical equipment surface temperature for Groups I, II and III.

Conditions	Maximum surface temperature (°C) ¹⁾
Where coal dust is not likely to form a layer	450
Where coal dust can form a layer	150

Note: 1) On any surface of the enclosure.

Table 1 - Group I - Underground Coal Mines (Methane and Coal Dust)

Temperature class	Maximum surface temperature (°C)
IEC	
T1	450
T2	300
T3	200
T4	135
T5	100
T6	85

Table 2 - Group II - Gases & Vapours

Conditions	Maximum surface temperature (°C) ¹⁾
With dust layers	Maximum surface temperature of the apparatus must be determined for a given depth of dust layer
Without dust layers	Maximum surface temperature of the apparatus shall not exceed the assigned value. For W22Xec motors the standard assigned temperature is T3.

Note: 1) On any surface of the enclosure.

Table 3 - Group III - Conductive Dusts

2.4 Equipment Protection Levels - EPL

In addition to the traditional hazardous area classification of the IEC 60079-10-1 and IEC 60079-10-2, which considers the possibility of an explosion occurring, the 2011 version of IEC 60079-0 introduced a new risk assessment approach known as the “Equipment Protection Level” that considers, besides the hazardous location itself, the consequences of a possible explosion. The primary intent of the EPL is to allow flexibility in the use of equipment in the various zones. For example it may be appropriate to use Gc equipment in a Zone 1 area where the amount of flammable gas / vapour is small and the location is unmanned virtually all of the time. Conversely Gb equipment may be selected in Zone 2 to allow this equipment to be used in the event of a persistent emergency condition. IEC 60079-14 explains in detail how to use EPL’s in a risk assessment. The EPL designations are defined as follows:

First Indices

- M** - Mines
- G** - Gas
- D** - Dust

Second Indices

- a** - Equipment having a very high level of protection
- b** - Equipment having a high level of protection
- c** - Equipment having an enhanced level of protection

Relationship between Groups, Zones and EPL's are detailed in the Table 4, and the relationship between Hazardous Area and Operating Conditions are detailed in the Table 5.

Group	Zone	EPL
Group I	-	Ma
		Mb
Group II	0	Ga
	1	Gb
	2	Gc
Group III	20	Da
	21	Db
	22	Dc

Table 4 - Relationship between Groups, Zones and EPL's

IEC		Operating Conditions		
Hazardous Areas	Gas	Zone	0	Explosive atmosphere is continuously or frequently present
			1	Explosive atmosphere is likely to occur in normal operation condition
			2	Explosive atmosphere is not likely to occur in normal operation condition
		Group	I	Methane
			IIA	Propane
			IIB	Ethylene
	Dust	Zone	20	Explosive atmosphere is continuously or frequently present
			21	Explosive atmosphere is likely to occur in normal operation condition
			22	Explosive atmosphere is not likely to occur in normal operation condition
		Group	IIIA	Solid particles, larger than 500 µm suspended-combustible fibers
			IIIB	Non-conductive dust, equal or smaller than 500 µm, with electrical resistivity greater than to 10 ³ Ω.m - grime.
			IIIC	Conductive dust, equal or smaller than 500 µm, with electrical resistivity less than or equal to 10 ³ Ω.m - metallic dust.

Table 5 - Relationship between Hazardous Area and Operating Conditions

Protection

W22Xec motors are certified "Ex ec" Increased Safety and "Ex ec / Ex tc" Dust Ignition Proof, for installation in hazardous areas classified as Zone 2 (Gas Groups IIA, IIB, IIC) and Zone 22 (Dust Groups IIIA and IIIB).

3. W22Xec Motors

Increased safety "Ex ec" motors are designed to prevent the occurrence during normal operating and certain specific abnormal conditions of arcs, sparks & excessive overheating of all inner and outer surfaces of the machine which could reach the self ignition temperature of the surrounding potentially explosive atmosphere.

In the case of "Ex tc" machines, the maximum surface temperature of the enclosure is defined either:

- through measurement, under normal operating conditions, of the external surfaces of the machine with no dust layer, or
- determined for a given depth layer, "TL", of dust surrounding all sides of the equipment (a maximum depth may be specified by the manufacturer).



Figure 3 - W22Xec motor

3.1 W22Xec Motor Features

3.1.1 Standard

- Rated Output: 0,12 to 450 kW
- Number of Poles: 2 to 8
- Frame Sizes: IEC 63 to 355A/B
- Voltage: up to 690 V
- Frequency: 50 / 60 Hz
- Efficiency Level: IE3 Premium Efficiency
- Hazardous Area: Zone 2 – Gas Groups IIA, IIB, IIC
Zone 22 – Dust Groups IIIA, IIIB
- Ambient Temperature Range: -20 °C to +40 °C
- Degree of Protection: IP55
- Winding Thermal Protection: PTC 140 °C (Dust) & PTC 155 °C (Gas)
- Painting plan: 205P (C4 according to ISO 12944)
- Insulation class: F (ΔT 80K)

3.1.2 Optional

- Efficiency Level: IE1, IE2 and IE4
- Single use marking Ex ec - Gas (W22Xec) or Ex tc - Dust (W22Xtc)
- Degree of Protection up to IP66
- Ambient Temperature Range: -55 °C to +60 °C
- Pt-100, thermostats, anti-condensation heaters
- Painting plans C5M / C5I acc. ISO 12944, NORSOK M-501 etc.
- VIK Compliant Execution
- Suitable for frequency inverter application
- Brass cable gland

3.2 VFD Application

W22Xec motors are also certified for operation with Variable Frequency Drives.

- Thermal protection embedded in motor windings
- Separate rating plate indicating permissible operating parameters under variable speed conditions.
- Must respect WEG derating curves / conditions defined in ATEX & IECEx certificates



Figure 4 - W22Xec with CFW-11

3.3 Ex ec Design - Key Requirements

- Terminal boxes must have a minimum degree of protection IP54;
- Minimum creepage and clearance distances between conductive parts;
- Screw connections must have a specified torque value (indicated in the O&M manual);
- External earth terminals and equipotential earth connection between the frame and terminal box;
- Conductive plastic cooling fan (2p motors up to 355M/L and 4p up to 315S/M);
- Aluminium cooling fan (2p motors frame 355A/B and 4p 315L and above).

3.4 Certification

- ATEX & IECEx certifications
- Zone 2 / Zone 22
- Gas groups IIA, IIB, IIC / Dust groups IIIA, IIIB
- Standards IEC 60079-0, 60079-15 & 60079-31

Marking

Ex ec IIC T3 Gc / Ex tc IIIB T125 °C Dc



Figure 5 - Certifying bodies

Certificate Number Baseefa10ATEX0192X		Issued 10 th June 2011 Page 1 of 6
1 TYPE EXAMINATION CERTIFICATE		
2 Equipment intended for use in Potentially Explosive Atmospheres Directive 94/9/EC		
3 Type Examination Certificate Number:	Baseefa10ATEX0192X	
4 Equipment:	The W22 Range of Small Induction Motors – Frame Sizes 63 to 355	
5 Manufacturer:	WEG Equipamentos Elétricos S.A	
6 Address:	Av. Prefeito Waldemar Grubba, 3000, Jaraguá do Sul, SC, CEP: 89256-980, Brazil.	
7 This equipment and any acceptable variation thereto is specified in the schedule to this certificate and the documents therein referred to.		
8 Baseefa certifies that this equipment has been found to comply with the Essential Health and Safety Requirements relating to the design and construction of equipment of Category 3 intended for use in potentially explosive atmospheres given in Annex II to European Union Directive 94/9/EC of 23 March 1994.		
9 The examination and test results are recorded in confidential Report No. GB/BAS/ExTR10.0214/00		
Compliance with the Essential Health and Safety Requirements has been assured by compliance with: EN 60079-0:2009 EN 60079-15:2010 EN 60079-31:2009		
except in respect of those requirements listed at item 18 of the Schedule.		
10 If the sign "X" is placed after the certificate number, it indicates that the equipment is subject to special conditions for safe use specified in the schedule to this certificate.		
11 This TYPE EXAMINATION CERTIFICATE relates only to the design of the specified equipment and not to specific items of equipment subsequently manufactured.		
12 The marking of the equipment shall include the following: Ⓢ II 3 GD Ex nA IIC T3 Gc Ex tc IIIB T125°C Dc IP (see schedule) Tamb (see schedule)		
This certificate may only be reproduced in its entirety, without any change, schedule included.		
Baseefa Customer Reference No. 5886	Project File No. 09/0802	
<div style="border: 1px solid black; padding: 5px; width: fit-content; margin: 0 auto;"> This certificate is granted subject to the general terms and conditions of Baseefa. It does not necessarily indicate that the equipment may be used in particular industries or circumstances. </div>		
Baseefa Rockhead Business Park, Staden Lane, Buxton, Derbyshire, SK17 9RZ Telephone +44 (0) 1508 766600 Fax +44 (0) 1298 766601 e-mail info@baseefa.com web site www.baseefa.com Baseefa is a trading name of Baseefa Ltd. Registered in England No. 4325715. Registered address as above.		 R S SINCLAIR DIRECTOR On behalf of Baseefa
Re-issued 13 th October 2011 to replace original.		

Figure 6 -Baseefa Certificate

		IECEx Certificate of Conformity	
INTERNATIONAL ELECTROTECHNICAL COMMISSION IEC Certification System for Explosive Atmospheres <small>for rules and details of the IECEx Scheme visit www.iecex.com</small>			
Certificate No.:	IECEx BAS 10.0099X	Page 1 of 4	Certificate history:
Status:	Current	Issue No: 9	Issue 8 (2020-02-12) Issue 7 (2019-09-26) Issue 6 (2019-05-22) Issue 5 (2019-02-06) Issue 4 (2018-12-17) Issue 3 (2017-04-21) Issue 2 (2015-08-30) Issue 1 (2011-10-20) Issue 0 (2011-06-27)
Date of issue:	2020-03-17		
Applicant:	WEG Equipamentos Elétricos S.A Av. Prefeito Waldemar Grubba 3000, Jaraguá do Sul SC CEP: 89256-900 Brazil		
Equipment:	The W22 Range of Small Induction Motors – Frame Sizes 63 to 355		
Optional accessory:			
Type of Protection:	Equipment protection by increased safety "e". Equipment dust ignition protection by enclosure "T"		
Marking:	Ex ec IIC T3 or T4 Gc Tamb* (T4 option for frame sizes 250SM and 355ML only) Ex tc IIIB T125°C Dc Tamb* Ex tb IIC T125°C Dc Tamb* Ex tb IIC T125°C Dc Tamb* (option for frame sizes 71, 80, 90, 100, 112 and 132 only) *See annex for ambient temperature		
Approved for issue on behalf of the IECEx Certification Body:	R S Sinclair		
Position:	Technical Manager	M POWNEY Certification Manager	
Signature: (for printed version)			
Date:	19/3/20		
1. This certificate and schedule may only be reproduced in full. 2. This certificate is not transferable and remains the property of the issuing body. 3. The Status and authenticity of this certificate may be verified by visiting www.iecex.com or use of this QR Code.			
Certificate issued by:			
SGS Baseefa Limited Rockhead Business Park Staden Lane Buxton, Derbyshire, SK17 9RZ United Kingdom			

Figure 7 - IECEx Certificate of Conformity

4. Shaft / Bearings Data

4.1 Shaft

The shaft steel material for W22Xec standard motors is AISI 1040/45, in frames IEC 63 to 315S/M, and AISI 4140 for frames 315L and 355M/L. When supplied with roller bearings, the shaft material must be AISI 4140. Information regarding the maximum allowable radial and axial loads on shaft ends is given in Table 9, Table 10, Table 11, Table 12 and Table 13.

Important: when equipped with a roller bearing, it is necessary to lock the non-drive end bearing which obliges replacement of the non-drive end bearing cap.

Shafts of W22Xeb motors are supplied with an open profile keyway, with a threaded centre hole, and can optionally be provided with a second shaft end.

Note: 2 pole motors will have, as an option, only the shaft end in stainless steel AISI 316.

4.2 Bearings

W22Xec motors are supplied with deep groove ball bearings as standard (Figure 8). Optionally, for frame sizes 132 and above, NU series roller bearings can be fitted to motors intended for heavy duty applications where high radial loads may occur e.g. pulley and belt drives.



Figure 8 - Ball bearing view

The nominal bearing life L10h is 20.000 or 40.000 hours in conformance with maximum radial and axial loads as described in tables 9, 10 and 11. When direct coupled to the load (without axial or radial thrusts), the L10h bearing life can be extended to 50.000* hours.

** For regreasable motors. Other configurations contact WEG.*

In standard configuration, with ball bearings, the drive end bearing is locked axially from frame 160. To compensate for any axial movement the motors are fitted with pre-load washers for frames 63 to 200 and with pre-load springs for frames 225 to 355. When provided with roller bearings, the non-drive end bearing is locked and the axial movement is compensated by the axial play of the front roller bearing. The lifetime of the bearing is dependent on its type and size, the radial and axial mechanical loads it is submitted to, operating conditions (environment, temperature, mounting orientation), rotational speed and grease life. Therefore, bearing lifetime is closely related to its correct use, maintenance and lubrication.

Respecting the quantity of grease and lubrication intervals allows bearings to reach the indicated lifetime. W22Xeb motors in IEC frames 225S/M and above are provided as standard with grease fittings in each endshield to permit the relubrication of the bearings (optional for frames 90 to 200). The quantity of grease and lubrication intervals are stamped on the motor nameplate. The lubrication intervals are shown in Table 7 and Table 8. It must be emphasized that excessive lubrication, i.e. a quantity of grease greater than that recommended on the motor nameplate, can result in the increase of bearing temperatures leading to reduced operating hours.

Note:

1. L10h lifetime means that at least 90% of the bearings submitted to the maximum indicated loads will reach the number of hours indicated. The maximum admissible radial and axial loads for the standard configuration are shown in Table 9, Table 10, Table 11, Table 12 and Table 13. The values of the maximum radial load consider axial load as nil. The values of the maximum axial load consider radial load as nil. For bearing lifetimes with combined axial and radial loads condition contact WEG.

2. The radial force value Fr usually results from information recommended in the catalogues of pulley / belt manufacturers.

When this information is not available, the force Fr, under operation, can be calculated based on the output power, on coupling design characteristics with pulleys and belts and on the type of application. So we have:

$$Fr = \frac{19,1 \times 10^6 \times P_n}{n_n \times dp} \times ka \text{ (N)}$$

Where:

Fr is the radial force caused by pulley and belt coupling [N];

Pn is the motor rated power [kW];

nn is the motor rated speed per minute [rpm];

dp is the pitch diameter of the drive pulley [mm];

ka is a factor that depends on belt tension and type of application (Table 6).

	Groups and basic types of application	ka factor of the application	
		V belts	Plane belts
1	Fans and blowers, centrifugal pumps, winding machines, compressors, machine tools with outputs up to 22 kW (30 HP)	2,0	3,1
2	Fans and blowers, centrifugal pumps, winding machines, compressors, machine tools with outputs higher than 22 kW (30 HP)	2,4	3,3
3	Presses, vibrating screens, piston and screw compressors, pulverisers, helicoidal conveyors, woodworking machines, textile machines, kneading machines, ceramic machines, pulp and paper industrial grinders (for all power range).	2,7	3,4
4	Overhead cranes, hammer mills, metal laminators, conveyors, gyratory crushers, jaw crushers, cone crushers, cage mills, ball mills, rubber mixers, mining machines, shredders (for all power range).	3,0	3,7

Table 6 - ka factor

Important:

1 - Special applications

Motor operation under adverse operating conditions, such as higher ambient temperatures and altitudes or abnormal axial / radial loads, may require specific lubrication measures and alternative relubrication intervals to those indicated in the tables provided within this technical catalogue.

2 - Roller bearings

Roller bearings require a minimum radial load so as to ensure correct operation. They are not recommended for direct coupling arrangements, or for use on 2 pole motors.

3 - Frequency inverter driven motors

Bearing life may be reduced when a motor is driven by a frequency drive at speeds above nominal. Speed itself is one of the factors taken into consideration when determining motor bearing life.

4 - Motors with modified mounting configurations

For motors supplied with horizontal mounting but working vertically, lubrication intervals must be reduced by half.

5 - Figures for radial thrusts

The figures given in the tables below for radial thrusts take into consideration the point upon which the load is applied, either at the centre of the shaft ($L/2$) or at the end of the shaft (L), Figure 9.

Note: On motors with second shaft end, refer to WEG for details of the maximum permissible axial and radial loads.

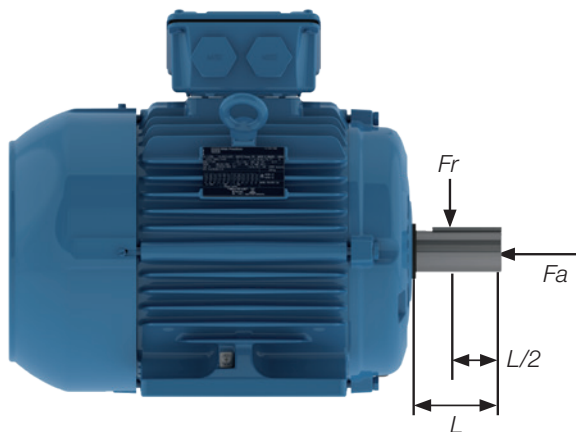


Figure 9 - Radial and axial thrust on motor shaft

4.3 Lubrication Intervals (Ambient $\leq 40^\circ\text{C}$ at Rated Speed)

Frame	Lubrication intervals (hours)		
	Poles	50 Hz	60 Hz
160	2	25000	25000
	4		
	6		
	8		
180	2	25000	25000
	4		
	6		
	8		
200	2	25000	25000
	4		
	6		
	8		
225	2	5000	4000
	4	14000	12000
	6	20000	17000
	8	24000	20000
250	2	5000	4000
	4	14000	12000
	6	20000	17000
	8	24000	20000
280	2	5000	4000
	4	13000	10000
	6	18000	16000
	8	20000	20000
315	2	5000	4000
	4	11000	8000
	6	16000	13000
	8	20000	17000
355	2	5000	4000
	4	4000	On request
	6	9000	6000
	8	13000	11000
		19000	14000

Note: the amount of grease is indicated on the nameplate.

Table 7 - Lubrication intervals for ball bearings (horizontal mounting).

Frame	Lubrication intervals (hours)		
	Poles	50 Hz	60 Hz
160	4	25000	25000
	6		
	8		
180	4	25000	25000
	6		
	8		
200	4	25000	21000
	6		25000
	8		
225	4	11000	9000
	6	16000	13000
	8	20000	19000
250	4	11000	9000
	6	16000	13000
	8	20000	19000
280	4	9000	7000
	6	14000	12000
	8	19000	17000
315	4	7000	5000
	6	12000	9000
	8	17000	15000
355	4	5000	4000
	6	9000	7000
	8	14000	13000

Note: the amount of grease is indicated on the nameplate.

Table 8 - Lubrication intervals for roller bearings (horizontal mounting).



4.4 Permissible Loads

Maximum permissible radial thrust - 50 Hz - Fr in (kN) 20.000 hours									
Frame	2 poles		4 poles		6 poles		8 poles		
	L	L/2	L	L/2	L	L/2	L	L/2	
63	0,3	0,4	0,3	0,4	0,3	0,4	0,3	0,4	0,4
71	0,5	0,5	0,5	0,6	0,5	0,6	0,6	0,7	0,7
80	0,6	0,6	0,7	0,7	0,7	0,8	0,8	1,0	1,0
90	0,6	0,7	0,7	0,8	0,8	0,9	0,9	1,0	1,0
100	0,9	1,0	1,0	1,1	1,2	1,3	1,3	1,4	1,4
112	1,2	1,3	1,4	1,5	1,6	1,8	1,7	1,9	1,9
132	1,8	2,0	2,2	2,4	2,4	2,7	2,6	2,9	2,9
160	2,3	2,6	2,6	2,9	2,7	3,3	2,7	3,7	3,7
180	3,1	3,5	3,6	4,0	4,2	4,7	4,2	5,2	5,2
200	3,7	4,0	4,2	4,7	4,9	5,4	5,7	6,2	6,2
225	5,1	5,5	5,2	6,3	5,3	7,0	5,7	8,1	8,1
250	4,9	5,3	5,2	5,7	6,5	7,1	6,0	8,2	8,2
280	5,0	5,4	6,7	7,2	7,8	8,4	8,7	9,4	9,4
315S/M	4,3	4,7	7,0	7,7	8,1	8,8	9,0	9,8	9,8
315L	4,6	5,0	4,0	7,3	6,2	8,2	9,1	9,8	9,8
355M/L	4,8	5,1	8,5	9,3	9,6	10,4	11,6	12,6	12,6

Table 9 - Maximum permissible radial thrusts for ball bearings (horizontal mounting)

Maximum permissible radial thrust - 50 Hz - Fr in (kN) 40.000 hours									
Frame	2 poles		4 poles		6 poles		8 poles		
	L	L/2	L	L/2	L	L/2	L	L/2	
63	0,2	0,2	0,3	0,3	0,3	0,4	0,3	0,4	0,4
71	0,3	0,3	0,4	0,4	0,5	0,5	0,5	0,6	0,6
80	0,5	0,5	0,5	0,6	0,6	0,6	0,7	0,7	0,7
90	0,5	0,5	0,5	0,6	0,6	0,7	0,7	0,8	0,8
100	0,7	0,7	0,7	0,8	0,9	1,0	1,0	1,1	1,1
112	0,9	1,0	1,0	1,1	1,2	1,4	1,3	1,4	1,4
132	1,4	1,6	1,6	1,8	1,8	2,0	2,0	2,2	2,2
160	1,8	2,0	1,9	2,1	2,2	2,4	2,5	2,7	2,7
180	2,4	2,7	2,7	3,0	3,2	3,5	3,6	3,9	3,9
200	2,8	3,0	3,2	3,5	3,7	4,0	4,3	4,7	4,7
225	3,9	4,3	4,3	4,7	4,7	5,2	5,6	6,2	6,2
250	3,7	4,1	3,8	4,2	4,9	5,4	5,7	6,3	6,3
280	3,8	4,1	4,9	5,4	5,8	6,3	6,5	7,0	7,0
315S/M	3,1	3,4	4,9	5,4	5,7	6,2	6,3	6,9	6,9
315L	3,4	3,6	4,0	4,9	5,1	5,5	6,4	6,9	6,9
355M/L	3,3	3,6	5,8	6,3	6,5	7,1	8,2	8,9	8,9
355A/B	3,0	3,2	4,1	4,4	4,2	4,5	5,3	6,8	6,8

Table 10 - Maximum permissible radial thrusts for ball bearings (horizontal mounting).

Maximum permissible radial thrust - 50 Hz - Fr in (kN) 40.000 hours						
Frame	4 poles		6 poles		8 poles	
	L/2	L	L/2	L	L/2	L
160	5,0	3,2	5,1	3,3	5,1	3,3
180	8,8	5,5	8,8	5,6	8,8	5,6
200	11,2	7,3	11,2	7,4	11,3	7,4
225S/M	12,9	7,6	12,9	7,6	13,0	7,8
250S/M	13,7	8,9	13,8	8,9	13,7	8,9
280S/M	19,3	12,6	19,4	12,8	19,6	12,9
315S/M	25,8	12,9	27,4	13,0	27,4	13,2
315L	21,5	10,1	20,1	9,4	26,1	12,2
355M/L	34,0	17,3	33,5	16,4	33,5	16,1

Note: the values given for roller bearings consider AISI 4140 steel shafts.

Table 11 - Maximum permissible radial thrusts for roller bearings (horizontal mounting)

Maximum permissible axial thrust - 50 Hz - Fa in (kN) - 20.000 hours							
Frame	Poles	Horizontal		Vertical with shaft upwards		Vertical with shaft downwards	
		Pushing	Pulling	Pushing	Pulling	Pushing	Pulling
		63	2	0,2	0,2	0,2	0,2
4	0,3		0,3	0,3	0,3	0,3	0,3
6	0,3		0,4	0,3	0,4	0,4	0,3
8	0,3		0,4	0,3	0,4	0,4	0,3
71	2	0,2	0,3	0,2	0,3	0,2	0,3
	4	0,3	0,4	0,3	0,4	0,3	0,4
	6	0,4	0,5	0,4	0,5	0,4	0,5
	8	0,5	0,6	0,4	0,6	0,5	0,6
80	2	0,3	0,4	0,3	0,4	0,3	0,4
	4	0,4	0,6	0,3	0,6	0,4	0,5
	6	0,5	0,7	0,4	0,7	0,5	0,7
	8	0,6	0,8	0,5	0,9	0,6	0,8
90	2	0,4	0,4	0,3	0,5	0,4	0,4
	4	0,5	0,6	0,5	0,7	0,5	0,6
	6	0,6	0,7	0,6	0,8	0,6	0,7
	8	0,8	0,9	0,7	0,9	0,8	0,8
100	2	0,4	0,6	0,3	0,7	0,4	0,6
	4	0,5	0,8	0,4	0,9	0,5	0,8
	6	0,7	1	0,6	1,1	0,7	1
	8	0,8	1,2	0,7	1,3	0,8	1,1
112	2	0,5	0,8	0,5	0,9	0,6	0,7
	4	0,7	1,1	0,7	1,2	0,8	1
	6	1	1,4	0,9	1,5	1	1,3
	8	1,1	1,5	1	1,7	1,1	1,4
132	2	0,7	1,3	0,6	1,5	0,8	1,2
	4	1	1,8	0,8	2,1	1	1,7
	6	1,2	2,2	1,1	2,5	1,3	2,1
	8	1,4	2,5	1,2	2,8	1,4	2,3
160	2	2,4	1,7	0,2	2,1	2,8	1,5
	4	3	2,3	2,7	2,7	3,4	2
	6	3,4	2,7	3,1	3,3	4	2,4
	8	3,9	3,2	3,6	3,7	4,4	2,9
180	2	3,2	2,3	2,9	2,8	3,7	2
	4	3,9	3	3,6	3,7	4,6	2,7
	6	4,7	3,8	4,2	4,5	5,3	3,3
	8	5,2	4,4	4,8	5,1	6	3,9
200	2	3,6	2,6	3,1	3,3	4,3	2,1
	4	4,5	3,5	4	4,3	5,3	3
	6	5,2	4,2	4,7	5,1	6,1	3,7
	8	6	5	5,5	5,9	6,9	4,5
225	2	4,6	3,8	3,8	4,9	5,7	3,1
	4	5,8	5	5	6,3	7,1	4,2
	6	6,7	5,9	5,7	7,6	8,4	4,9
	8	7,8	7	6,9	8,5	9,3	6,1
250	2	4,5	3,7	3,7	4,9	5,6	3
	4	5,4	4,7	4,2	6,6	7,4	3,4
	6	6,8	6	5,4	8	8,8	4,6
	8	7,8	7,1	6,6	8,9	9,7	5,9
280	2	4,4	3,7	3,2	5,4	6,2	2,4
	4	6,3	5,5	4,6	8	8,8	3,9
	6	7,6	6,8	5,8	9,4	10,2	5
	8	8,5	7,8	6,6	10,6	11,4	5,8
315S/M	2	4,1	3,3	2,4	5,9	6,7	1,6
	4	6,8	6	4,3	10	10,7	3,5
	6	8	7,2	5,2	11,9	12,7	4,5
	8	9,1	8,3	6,2	13,2	14	5,5
315L	2	3	2,2	1,1	5	5,7	0,4
	4	4,5	3,7	1,4	8,2	8,9	0,6
	6	5,2	4,4	1,9	9,5	10,3	1,2
	8	6,3	5,5	3,4	10	10,8	2,6
355M/L	2	4,4	3,7	1,1	8,8	9,5	0,3
	4	7,7	7	3,2	13,9	14,7	2,5
	6	9,1	8,4	4,7	15,3	16	3,9
	8	10,9	10,2	6,4	17,2	17,9	5,7
355A/B	2	4,1	3,3				
	4	6,8	6				
	6	7,8	7				
	8	9,8	9				

Table 12 - Maximum permissible axial thrusts for ball bearings (horizontal mounting) - 20.000 hours

Maximum permissible axial thrust - 50 Hz - Fa in (kN) - 40.000 hours							
Frame	Poles	Horizontal		Vertical with shaft upwards		Vertical with shaft downwards	
		Pushing	Pulling	Pushing	Pulling	Pushing	Pulling
63	2	0,1	0,1	0,1	0,1	0,1	0,1
	4	0,2	0,2	0,2	0,2	0,2	0,2
	6	0,2	0,2	0,2	0,2	0,2	0,2
	8	0,2	0,2	0,2	0,2	0,2	0,2
71	2	0,1	0,2	0,1	0,2	0,1	0,2
	4	0,2	0,3	0,2	0,3	0,2	0,2
	6	0,2	0,3	0,2	0,3	0,2	0,3
	8	0,3	0,4	0,3	0,4	0,3	0,4
80	2	0,2	0,3	0,1	0,3	0,2	0,3
	4	0,2	0,4	0,2	0,4	0,2	0,3
	6	0,3	0,5	0,3	0,5	0,3	0,4
	8	0,4	0,6	0,3	0,6	0,4	0,5
90	2	0,2	0,3	0,2	0,3	0,2	0,2
	4	0,3	0,4	0,3	0,4	0,3	0,3
	6	0,4	0,5	0,4	0,5	0,4	0,4
	8	0,5	0,6	0,5	0,6	0,5	0,5
100	2	0,2	0,4	0,2	0,4	0,2	0,3
	4	0,3	0,5	0,2	0,6	0,3	0,5
	6	0,4	0,7	0,3	0,8	0,4	0,6
	8	0,5	0,8	0,4	0,9	0,5	0,7
112	2	0,3	0,5	0,3	0,6	0,3	0,4
	4	0,4	0,7	0,4	0,8	0,5	0,6
	6	0,6	0,9	0,5	1,1	0,6	0,8
	8	0,7	1	0,6	1,2	0,7	0,9
132	2	0,4	0,9	0,3	1,1	0,5	0,8
	4	0,6	1,2	0,5	1,4	0,6	1,1
	6	0,8	1,5	0,6	1,8	0,8	1,3
	8	0,9	1,7	0,7	2	0,9	1,5
160	2	1,8	1,1	1,6	1,5	2,2	0,9
	4	2,2	1,5	1,9	1,9	2,6	1,2
	6	2,5	1,8	2,2	2,3	3,1	1,5
	8	2,9	2,2	2,5	2,7	3,4	1,8
180	2	2,4	1,5	2,1	2	2,9	1,2
	4	2,9	2	2,5	2,6	3,5	1,6
	6	3,4	2,5	3	3,2	4,1	2,1
	8	3,9	3	3,5	3,7	4,6	2,6
200	2	2,7	1,7	2,2	2,4	3,4	1,2
	4	3,3	2,3	2,8	3,1	4,1	1,8
	6	3,8	2,8	3,3	3,8	4,8	2,3
	8	4,4	3,4	3,9	4,3	5,3	2,9
225	2	3,4	2,6	2,7	3,7	4,5	1,9
	4	4,2	3,5	3,4	4,7	5,5	2,6
	6	4,8	4	3,8	5,7	6,5	3
	8	5,7	4,9	4,8	6,4	7,1	4,1
250	2	3,4	2,5	2,5	3,7	4,5	1,8
	4	3,9	3,1	2,6	5	5,9	1,8
	6	4,9	4,1	3,6	6,2	7	2,8
	8	5,8	4,9	4,5	6,8	7,6	3,8
280	2	3,3	2,5	2	4,3	5,1	1,2
	4	4,6	3,8	2,9	6,2	7	2,1
	6	5,4	4,7	3,6	7,3	8	2,8
	8	6,1	5,4	4,2	8,2	9	3,4
315	2	2,9	2,2	1,2	4,8	5,5	0,4
	4	4,7	4	2,2	7,9	8,6	1,4
	6	5,6	4,8	2,8	9,4	10,2	2
	8	6,4	5,6	3,4	10,4	11,2	2,6
315L	2	3	2,2	1,1	5	5,7	0,4
	4	4,5	3,7	1,4	8,2	8,9	0,6
	6	5,2	4,4	1,9	9,5	10,3	1,2
	8	6,3	5,5	3,4	10	10,8	2,6
355M/L	2	3,1	2,4	0,6	6,7	7,5	0,2
	4	5,5	4,7	1,9	1,1	11,6	1,2
	6	6,3	5,6	2,8	11,8	12,7	2
	8	7,6	6,8	3,8	13,2	13,7	2,9
355A/B	2	2,9	2,2	On request			
	4	4,6	3,9				
	6	5,2	4,5				
	8	6,5	5,8				

Table 13 - Maximum permissible axial thrusts for ball bearings (horizontal mounting) - 40.000 hours

5. Electrical Data

5.1 W22Xec - Super Premium Efficiency - IE4 ⁽¹⁾

Output		Frame	Full Load Torque (Nm)	Locked Rotor Current I/In	Locked Rotor Torque Tl/Tn	Break-down Torque Tb/Tn	Inertia J (kgm ²)	Allowable locked rotor time (s)		Weight (kg)	Sound dB(A)	400 V						Full load current In (A)	
								Hot	Cold			% of full load			Power Factor				
												50	75	100	50	75	100		
II pole - 3000 rpm - 50 Hz																			
3	4	100L	9,85	9	3,2	3,7	0,00641	18	40	34	67	2910	0,71	0,82	0,87	88	89,1	89,1	5,59
4	5,5	112M	13,2	8	2,8	3,5	0,00941	27	59	45	62	2905	0,7	0,81	0,86	89,5	90	90	7,46
5,5	7,5	132S	17,9	8,6	3	4	0,02518	27	59	69	63	2940	0,71	0,81	0,86	87,3	90,6	90,9	10,2
7,5	10	L132S	24,4	8,7	3,1	3,9	0,0285	16	35	73	63	2940	0,69	0,8	0,86	90,3	91,5	91,7	13,7
9,2	12,5	132M/L	30	8,7	3	3,6	0,03563	16	35	79	63	2935	0,72	0,82	0,87	91	91,9	92,2	16,6
11	15	160M	35,6	8,5	2,9	3,5	0,05878	14	31	120	67	2955	0,69	0,8	0,86	91,1	92,3	92,8	19,9
15	20	160M	48,6	8,2	3,1	3,6	0,06981	11	24	126	67	2950	0,7	0,81	0,86	92,1	93	93,3	27
18,5	25	160L	59,9	9	3,3	3,8	0,08405	15	33	144	67	2950	0,71	0,82	0,87	92,8	93,4	93,7	32,8
22	30	180M	71	8,5	3,4	3,7	0,11834	8	18	176	67	2960	0,69	0,79	0,84	92,8	93,6	94	40,2
30	40	200L	96,5	8,2	3,2	3,5	0,2119	16	35	265	72	2970	0,7	0,8	0,85	93	94,1	94,5	53,9
37	50	200L	119	8,1	3,1	3,4	0,23733	14	31	275	72	2970	0,72	0,81	0,85	93,6	94,5	94,8	66,3
45	60	225S/M	145	8,7	3,1	3,8	0,36411	17	37	425	74	2970	0,75	0,84	0,88	93,9	94,5	95	77,7
55	75	250S/M	177	8,2	3,3	3,3	0,60678	34	75	520	74	2970	0,81	0,87	0,89	94,2	95	95,3	93,6
75	100	280S/M	241	7,9	2,2	2,9	1,46637	30	66	800	77	2976	0,8	0,87	0,89	94,7	95,4	95,6	127
90	125	280S/M	289	8,8	2,6	2,9	1,64412	30	66	890	77	2980	0,79	0,86	0,89	95,1	95,8	95,8	152
110	150	315S/M	353	7,8	2,3	3	2,31946	30	66	992	77	2980	0,76	0,84	0,87	94,8	95,7	96	190
132	175	315S/M	423	8,7	2,7	2,8	2,76838	30	66	1095	77	2983	0,77	0,85	0,88	95,4	96,2	96,2	225
150	200	315S/M	481	7,6	2,4	2,9	3,20112	30	66	1197	77	2980	0,82	0,88	0,9	95,9	96,3	96,3	250
160	220	315S/M	514	7,6	2,4	2,7	3,20097	30	66	1197	77	2975	0,82	0,88	0,9	95,7	96,2	96,3	266
185	250	315L	592	8,5	3	2,8	3,4989	29	64	1315	77	2984	0,77	0,85	0,89	95,3	96,1	96,5	311
200	270	315L	641	8,5	2,7	2,9	3,72224	29	64	1345	77	2982	0,8	0,87	0,89	95,5	96,1	96,5	336
220	300	315L	705	8,5	2,6	2,7	3,94557	25	55	1390	77	2980	0,72	0,82	0,87	95,1	96	96,5	378
250	340	315L	801	9,1	3,1	3,3	4,1477	23	51	1434	77	2983	0,8	0,87	0,89	95,7	96,3	96,5	420
260	350	315L	833	8,5	2,7	2,6	4,1477	20	44	1434	77	2982	0,65	0,77	0,83	94,9	95,9	96,7	468
280	380	355M/L	896	8,5	2,5	2,9	5,36165	35	77	1664	80	2986	0,79	0,86	0,89	95,6	96,2	96,5	471
300	400	355M/L	960	8,6	2,3	2,6	5,68335	30	66	1751	80	2986	0,82	0,88	0,9	95,8	96,3	96,5	499
315	430	355M/L	1008	8,5	3,3	3,3	6,00505	22	48	1838	80	2986	0,8	0,85	0,86	95	95,9	96,5	548
330	450	355A/B	1056	8,8	2,7	2,6	6,32705	24	53	2000	82	2985	0,82	0,88	0,9	95,5	96	96,5	548
355	480	355A/B	1137	9	2,6	2,6	6,756	20	44	2043	82	2983	0,82	0,88	0,9	95,5	96	96,5	590
Optional frames & high output designs																			
75	100	250S/M	241	9,6	3	2,8	0,60681	20	44	530	74	2970	0,7	0,86	0,89	94,7	95,3	95,6	127
110	150	280S/M	353	8,8	2,3	3	1,37757	26	57	755	77	2980	0,76	0,84	0,87	94,8	95,7	96	190
200	270	355M/L	640	8,6	2,6	3,4	4,09384	52	114	1500	80	2988	0,8	0,87	0,89	94,8	95,6	96,5	336
220	300	355M/L	704	8,6	2,4	3,1	4,09384	48	106	1500	80	2987	0,82	0,88	0,89	94,8	95,6	96,5	370
250	340	355M/L	800	7,8	2,6	3	4,3093	36	79	1530	80	2985	0,84	0,89	0,9	95	95,7	96,5	415
260	350	355M/L	833	7,5	2,5	2,8	4,3093	34	75	1530	80	2984	0,85	0,89	0,9	95,1	95,7	96,5	432
280	380	315L	898	8	2,6	3	4,1687	22	48	1510	78	2980	0,87	0,9	0,91	96,2	96,8	96,8	459
IV pole - 1500 rpm - 50 Hz																			
5,5	7,5	L132S	35,6	10	2,9	3,5	0,06399	16	35	78	56	1475	0,63	0,75	0,82	90,8	91,8	91,9	10,5
7,5	10	L132M/L	48,7	10	3,3	4,2	0,07905	14	31	84	56	1473	0,62	0,74	0,81	91	92	92,6	14,4
9,2	12,5	160M	59,6	7,8	2,7	3,2	0,13975	35	77	115	61	1475	0,61	0,74	0,81	91,9	92,9	93	17,6
11	15	160M	71	8,2	3	3,5	0,15372	26	57	125	61	1480	0,61	0,73	0,81	92	93	93,3	21
15	20	L160L	97	7,2	3	3,2	0,18125	22	48	150	61	1478	0,63	0,75	0,81	92,7	93,4	93,9	28,5
18,5	25	L180M	120	8,7	3,2	3,8	0,22909	16	35	185	61	1479	0,64	0,76	0,83	93,6	94,2	94,2	34,2
22	30	L180L	142	9,5	3,4	4	0,25935	14	31	200	61	1483	0,63	0,75	0,82	93,7	94,3	94,5	41
30	40	200L	193	8,6	3,2	3,3	0,39787	18	40	284	63	1485	0,6	0,73	0,81	93,9	94,7	94,9	56,3
37	50	225S/M	238	8,6	3,1	3,5	0,73462	21	46	430	63	1485	0,67	0,78	0,84	94,6	95,1	95,2	66,8
45	60	225S/M	290	9	3,5	3,9	0,73462	15	33	440	63	1485	0,62	0,74	0,81	94,2	95	95,4	84,1
55	75	250S/M	353	9	3,5	3,7	1,21013	17	37	531	64	1487	0,66	0,78	0,83	94,9	95,4	95,7	100
75	100	280S/M	482	8,5	2,9	2,9	2,78377	30	66	830	69	1488	0,68	0,78	0,84	95,5	96	96	134
90	125	280S/M	578	7,9	2,6	2,9	3,40239	30	66	895	69	1488	0,73	0,82	0,86	95,9	96	96,1	157
110	150	315S/M	705	8,1	2,8	2,9	4,42047	50	110	1150	71	1491	0,73	0,82	0,86	95,8	96,3	96,3	192
132	175	315S/M	846	7,5	2,8	2,7	5,29233	30	66	1332	71	1490	0,73	0,82	0,86	96,1	96,4	96,4	230
150	200	315S/M	961	7,9	3	3	4,44113	30	66	1140	71	1491	0,74	0,83	0,86	95,8	96,5	96,5	261
160	220	315S/M	1026	7,6	2,8	2,8	4,44113	40	88	1145	71	1490	0,74	0,83	0,86	95,8	96,2	96,6	278
185	250	315L	1185	7,7	3,1	3,1	6,17469	35	77	1480	72	1492	0,7	0,8	0,85	96	96,5	96,7	325
200	270	315L	1283	7,9	3	2,7	6,50547	30	66	1527	72	1490	0,74	0,83	0,86	96,3	96,5	96,7	347
220	300	355M/L	1408	7,8	2,6	2,8	8,94894	46	101	1670	74	1493	0,72	0,81	0,84	95,5	96,3	96,7	391
250	340	355M/L	1600	8,2	3	3	10,02281	33	73	1730	74	1493	0,65	0,76	0,83	95,7	96,5	96,7	450
260	350	355M/L	1664	8,2	2,7	2,8	10,0232	33	73	1730	74	1493	0,67	0,78	0,83	95,7	96,5	96,7	468
280	380	355M/L	1793	7,9	2,7	2,7	10,5166	28	62	1772	74	1492	0,72	0,81	0,85	96,3	96,5	96,7	492
300	400	355M/L	1923	7,8	2,4	2,6	11,05134	24	53	1825	74	1491	0,73	0,82	0,85	96,4	96,5	96,7	527
315	430	355M/L	2016	7,8	2,9	2,9	11,58609	27	59	1878	74	1493	0,66	0,77	0,83	96,1	96,6	96,7	566
330	450	355A/B	2113	7,3	2,5	2,4	12,4779	28	62	2062	76	1492	0,7	0,8	0,84	96,4	96,7	96,7	586
355	480	355A/B	2272	8,8	3,1	3,3	13,5474	23	51	2089	76	1493	0,64	0,76	0,82	96	96,6	96,7	646
Optional frames & high output designs																			
110	150	280S/M	707	8,6	3	2,9	3,40255	33	73	895	69	1487	0,73	0,82	0,85	95,8	96,3	96,3	194
150	200	315L	962	7,7	2,6	2,5	5,73364	30	66	1430	72	1490	0,74	0,83	0,86	96,3	96,5	96,5	261
160	220	315L	1026	7,7	2,8	2,6	5,73364	30	66	1430	72	1490	0,74	0,83	0,86	96,2	96,5	96,6	278
200	270	355M/L	1279	8,6	3,2	3,6	7,87507	36	79	1570	74	1494	0,61	0,73	0,79	95,4	96,4	96,7	3

Ex ec IIC T3 Gc / Ex tc IIIB T125°C Dc

Output		Frame	Full Load Torque (Nm)	Locked Rotor Current I/In	Locked Rotor Torque Tl/Tn	Break-down Torque Tb/Tn	Inertia J (kgm²)	Allowable locked rotor time (s)		Weight (kg)	Sound dB(A)	400 V							Full load current In (A)
								Hot	Cold			Efficiency			Power Factor				
												Rated speed (rpm)	50	75	100	50	75	100	
VI pole - 1000 rpm - 50 Hz																			
3	4	132S	29,4	6,3	2,3	2,6	0,05677	48	106	61	53	975	0,53	0,66	0,73	88	89,3	88,6	6,69
4	5,5	132M	39,4	6,6	2,5	3,1	0,06434	35	77	68	53	970	0,53	0,66	0,73	88,5	89,6	89,5	8,84
5,5	7,5	L132M/L	53,9	7,3	2,5	3	0,08326	27	59	84	53	975	0,5	0,63	0,71	88,7	90,1	90,5	12,4
7,5	10	160M	73,1	6,8	2,6	2,9	0,1931	21	46	130	57	980	0,6	0,73	0,8	90,6	91,5	91,3	14,8
9,2	12,5	160L	89,7	7,7	3	3,6	0,237	23	51	148	57	980	0,58	0,71	0,78	91,6	92	92,3	18,4
11	15	160L	107	7,3	2,9	3,2	0,23699	14	31	150	57	980	0,55	0,68	0,77	90,3	91,5	92,3	22,3
15	20	180L	146	8,2	2,8	3,4	0,37646	13	29	210	56	980	0,63	0,75	0,82	92	92,6	92,9	28,4
18,5	25	200L	180	6,6	2,4	2,7	0,48961	23	51	235	60	980	0,63	0,75	0,81	92,7	93,2	93,4	35,3
22	30	200L	213	7	2,6	2,9	0,52459	18	40	250	60	985	0,59	0,72	0,79	92,4	93,2	93,7	42,9
30	40	225S/M	290	7,4	2,7	2,8	1,0242	27	59	430	63	988	0,69	0,79	0,84	93,7	94,1	94,2	54,7
37	50	250S/M	358	7,5	2,7	2,8	1,65367	30	66	520	64	988	0,7	0,81	0,85	94,3	94,7	94,5	66,5
45	60	280S/M	434	7,5	2,3	2,8	3,24946	35	77	723	65	990	0,54	0,74	0,8	94,4	95	94,8	85,6
55	75	280S/M	531	7,2	2,6	3	3,92176	30	66	740	65	990	0,64	0,74	0,8	94,6	95,1	95,1	104
75	100	315S/M	722	7,3	2,2	2,5	7,24744	30	66	1106	67	992	0,67	0,77	0,82	94,9	95,4	95,4	138
90	125	315S/M	868	6,7	2,1	2,4	7,95594	30	66	1180	67	991	0,69	0,79	0,83	95,2	95,6	95,6	164
110	150	315L	1061	6,9	2,1	2,4	9,04127	30	66	1320	68	991	0,67	0,77	0,82	95	95,8	95,8	202
132	175	315L	1270	7,2	2,4	2,6	9,9454	30	66	1384	68	993	0,66	0,77	0,81	95	95,9	96	245
150	200	315L	1445	7,2	2,7	2,6	11,0303	30	66	1448	68	992	0,67	0,78	0,83	95,5	96,1	96,1	271
160	220	315L	1544	7,2	2,7	2,6	11,0303	30	66	1448	68	990	0,67	0,78	0,83	95,9	96,3	96,5	288
185	250	355M/L	1778	6,6	2,1	2,4	13,17286	30	66	1854	73	994	0,64	0,75	0,81	95,6	96,2	96,3	342
200	270	355M/L	1921	6,6	2,3	2,6	14,09727	72	158	1912	73	995	0,64	0,74	0,79	95	96	96,3	379
220	300	355M/L	2115	6,5	2	2,4	15,02169	20	44	1970	73	994	0,65	0,76	0,81	95,5	96,2	96,5	406
250	340	355A/B	2403	6,4	2,2	2,4	17,1024	30	66	2246	73	994	0,64	0,75	0,8	95,5	96,2	96,5	467
260	350	355A/B	2509	6,5	2,2	2,3	17,1024	42	92	2246	73	990	0,66	0,76	0,82	96,1	96,5	96,6	474
280	380	355A/B	2702	6,6	2,3	2,3	17,9923	35	77	2300	73	990	0,64	0,75	0,81	95,8	96,4	96,6	517
300	400	355A/B	2895	6,5	2,2	2,3	18,915	35	77	2346	73	990	0,65	0,76	0,81	95,9	96,4	96,6	553
315	430	355A/B	3031	6,7	2,2	2,4	18,915	31	68	2346	73	993	0,63	0,74	0,8	95,7	96,3	96,6	588
Optional frames & high output designs																			
110	150	315S/M	1060	6,9	2,3	2,6	7,23267	30	66	1106	67	992	0,67	0,77	0,81	95,2	95,7	95,8	205



5.2 W22Xec - Premium Efficiency - IE3 ⁽¹⁾

Output		Frame	Full Load Torque (Nm)	Locked Rotor Current I _L /I _n	Locked Rotor Torque T _L /T _n	Break-down Torque T _b /T _n	Inertia J (kgm ²)	Allowable locked rotor time (s)		Weight (kg)	Sound dB(A)	400 V						Full load current I _n (A)	
								Rated speed (rpm)	% of full load			Power Factor							
									Efficiency			100	Power Factor		100				
kW	HP	Hot	Cold	50	75	100	50	75	100										
II pole - 3000 rpm - 50 Hz																			
0,12	0,16	63	0,400	5,4	3,5	3,8	0,0001	32	70	6,9	52,0	2875	58,0	60,8	64,5	0,50	0,61	0,69	0,389
0,18	0,25	63	0,600	5,2	3,0	3,2	0,0002	22	48	8,0	52,0	2860	61,0	65,9	65,9	0,53	0,65	0,74	0,533
0,25	0,33	63	0,850	5,5	2,6	2,7	0,0002	19	42	7,9	52,0	2820	63,0	68,0	69,7	0,54	0,68	0,77	0,672
0,37	0,5	71	1,25	6,0	2,5	2,5	0,0004	12	26	10,5	56,0	2820	73,0	73,8	73,8	0,66	0,79	0,85	0,851
0,55	0,75	71	1,86	5,9	2,7	2,7	0,0005	15	33	11,0	56,0	2830	75,0	76,0	77,8	0,68	0,80	0,86	1,19
0,75	1	80	2,51	7,5	3,2	3,2	0,0008	18	40	14,1	59,0	2860	80,0	82,0	81,0	0,60	0,73	0,81	1,65
1,1	1,5	80	3,71	7,2	4,1	3,7	0,0009	23	51	15,0	59,0	2835	81,5	83,0	83,0	0,60	0,73	0,80	2,39
1,5	2	90S	4,97	7,0	2,5	3,0	0,0020	10	22	21,5	62,0	2885	82,0	83,5	84,2	0,62	0,74	0,81	3,17
1,5	2	L90S	4,97	7,0	2,5	3,0	0,0020	10	22	21,5	62,0	2885	82,0	83,5	84,2	0,62	0,74	0,81	3,17
2,2	3	90L	7,32	7,5	3,4	3,4	0,0026	12	26	24,5	62,0	2870	85,5	86,0	86,3	0,65	0,77	0,83	4,43
3	4	100L	9,83	8,0	2,4	3,3	0,0064	9	20	35,0	67,0	2915	85,0	86,5	87,1	0,67	0,79	0,85	5,85
4	5,5	112M	13,1	7,7	2,5	3,5	0,0081	10	22	41,0	62,0	2910	87,0	88,4	88,4	0,65	0,77	0,84	7,78
5,5	7,5	132S	17,9	7,9	2,4	3,5	0,0180	12	26	62,0	63,0	2940	86,9	88,7	89,4	0,66	0,78	0,84	10,6
7,5	10	132S	24,5	8,5	2,8	3,3	0,0234	10	22	70,0	63,0	2925	88,5	89,8	90,3	0,68	0,80	0,85	14,1
9,2	12,5	132M	30,1	8,5	2,8	3,1	0,0303	16	35	84,0	63,0	2925	90,4	91,1	90,7	0,75	0,84	0,88	16,6
11	15	160M	35,6	8,0	2,7	3,4	0,0482	12	26	115	67,0	2955	90,3	91,4	91,4	0,70	0,80	0,85	20,4
15	20	160M	48,6	8,3	2,8	3,6	0,0551	8	18	120	67,0	2950	90,9	91,8	92,0	0,67	0,79	0,85	27,7
18,5	25	160L	59,8	8,5	3,1	3,7	0,0663	7	15	135	67,0	2955	91,5	92,3	92,4	0,69	0,80	0,85	34,0
22	30	180M	71,0	8,3	3,2	3,2	0,0968	9	20	170	67,0	2960	92,0	92,7	92,7	0,69	0,80	0,86	39,8
30	40	200L	96,5	7,8	3,3	3,2	0,1703	16	35	235	72,0	2970	92,2	93,2	93,3	0,69	0,80	0,85	54,6
37	50	200L	119	7,7	3,1	3,2	0,2368	11	24	250	72,0	2970	92,6	93,4	93,8	0,69	0,79	0,84	67,8
45	60	225S/M	145	7,5	2,4	3,1	0,2861	13	29	380	74,0	2960	93,5	94,0	94,0	0,76	0,84	0,87	79,4
55	75	250S/M	177	8,0	2,8	3,3	0,3736	19	42	452	74,0	2965	93,3	94,0	94,4	0,75	0,83	0,86	97,8
75	100	280S/M	241	7,4	2,0	3,1	0,9386	20	44	680	77,0	2979	93,7	94,8	94,9	0,75	0,83	0,86	133
90	125	280S/M	289	7,6	2,1	2,9	1,12	27	59	710	77,0	2976	94,3	95,2	95,2	0,81	0,87	0,89	153
110	150	315S/M	353	7,5	1,9	2,8	1,66	51	112	900	77,0	2975	94,3	95,3	95,4	0,78	0,85	0,87	191
132	175	315S/M	423	7,6	2,2	3,1	1,96	34	75	989	77,0	2980	94,5	95,4	95,6	0,78	0,86	0,89	224
150	200	315S/M	481	7,8	2,3	3,0	2,18	20	44	1050	77,0	2979	95,0	95,6	95,6	0,80	0,86	0,89	254
160	220	315S/M	513	7,5	2,2	2,9	2,24	28	62	1080	77,0	2980	95,1	95,8	95,8	0,79	0,86	0,89	271
185	250	315S/M	594	7,6	2,3	3,1	2,46	22	48	1110	77,0	2978	95,4	95,8	95,8	0,79	0,86	0,88	317
200	270	315L	642	7,6	2,1	2,4	2,68	30	66	1200	78,0	2977	95,0	95,5	95,8	0,82	0,88	0,89	339
220	300	315L	705	8,5	2,7	3,1	3,13	23	51	1320	78,0	2981	95,9	96,0	96,0	0,81	0,88	0,90	368
250	340	315L	802	7,5	2,4	2,7	3,57	21	46	1350	78,0	2980	95,5	96,0	96,0	0,85	0,90	0,91	413
260	350	315L	835	7,8	2,4	2,5	3,57	21	46	1370	78,0	2975	96,3	96,0	96,0	0,85	0,90	0,91	430
280	380	315L	898	7,5	2,5	2,7	4,17	22	48	1550	78,0	2980	95,4	95,8	96,0	0,84	0,89	0,91	463
315	430	355M/L	1009	7,7	2,6	2,7	6,01	23	51	1950	80,0	2983	95,5	96,0	96,0	0,87	0,90	0,91	520
330	450	355M/L	1058	7,7	2,3	2,5	6,01	28	62	1950	80,0	2980	95,2	95,8	96,0	0,87	0,90	0,91	545
355	480	355A/B	1135	9,0	2,8	3,3	6,25	28	62	2000	83,0	2988	95,0	95,5	96,0	0,82	0,88	0,89	600
370	500	355A/B	1184	7,9	2,5	2,8	6,76	40	88	2046	83,0	2985	95,8	96,1	96,4	0,85	0,89	0,90	616
400	550	355A/B	1281	8,2	2,7	2,9	6,76	31	68	2250	83,0	2984	95,8	96,2	96,4	0,85	0,89	0,91	658
450	610	355A/B	1442	7,5	2,8	2,7	7,40	31	68	2400	83,0	2982	95,8	96,2	96,4	0,85	0,90	0,91	740
Optional frames & high output designs																			
0,25	0,33	71	0,840	5,7	2,4	2,7	0,0000	28	62	10,0	56,0	2852	69,0	69,7	69,7	0,63	0,75	0,83	0,624
0,37	0,5	63	1,29	4,9	3,2	2,9	0,0000	19	42	9,0	52,0	2743	73,0	73,8	73,8	0,59	0,73	0,83	0,872
0,75	1	90S	2,47	8,2	3,3	3,4	0,0015	24	53	20,0	62,0	2900	79,0	82,5	81,5	0,63	0,75	0,82	1,62
1,1	1,5	90L	3,65	7,8	3,3	3,3	0,0018	19	42	21,0	62,0	2880	82,0	84,2	83,5	0,63	0,75	0,82	2,32
1,1	1,5	90S	3,65	7,8	3,3	3,3	0,0018	19	42	21,0	62,0	2880	82,0	84,2	83,5	0,63	0,75	0,82	2,32
2,2	3	100L	7,22	8,5	3,2	3,3	0,0059	22	48	31,0	67,0	2910	85,0	86,6	86,6	0,71	0,82	0,87	4,21
2,2	3	L90L	7,25	7,5	3,0	3,4	0,0026	12	26	24,5	62,0	2900	85,0	86,0	86,3	0,61	0,75	0,82	4,49
2,2	3	L100L	7,22	8,5	3,2	3,3	0,0059	22	48	31,0	67,0	2910	85,0	86,6	86,6	0,71	0,82	0,87	4,21
3	4	L100L	9,83	8,0	2,7	3,6	0,0064	15	33	35,0	67,0	2915	85,0	86,5	87,1	0,69	0,81	0,86	5,78
4	5,5	132S	13,0	7,9	2,5	3,1	0,0180	24	53	61,0	63,0	2945	86,9	88,7	88,6	0,73	0,82	0,87	7,49
5,5	7,5	132M	17,9	7,9	2,4	3,5	0,0180	12	26	62,0	63,0	2940	86,9	88,7	89,4	0,66	0,78	0,84	10,6
7,5	10	132M	24,5	8,5	2,8	3,3	0,0234	10	22	70,0	63,0	2925	88,5	89,8	90,3	0,68	0,80	0,85	14,1
11	15	160L	35,6	8,0	2,7	3,4	0,0482	12	26	115	67,0	2955	90,3	91,4	91,4	0,70	0,80	0,85	20,4
15	20	160L	48,6	8,3	2,8	3,6	0,0551	8	18	120	67,0	2950	90,9	91,8	92,0	0,67	0,79	0,85	27,7
18,5	25	180M	59,7	7,6	3,0	3,1	0,0973	11	24	170	67,0	2960	91,5	92,0	92,6	0,75	0,83	0,87	33,1
22	30	180L	71,0	8,3	3,2	3,2	0,0968	9	20	170	67,0	2960	92,0	92,7	92,7	0,69	0,80	0,86	39,8
200	270	315S/M	642	7,6	2,3	2,9	2,68	23	51	1200	77,0	2975	95,7	96,2	96,0	0,82	0,88	0,90	334
200	270	355M/L	640	7,9	2,1	2,9	3,56	30	66	1300	80,0	2985	95,0	95,6	96,0	0,80	0,87	0,90	334
220	300	355M/L	704	7,3	1,9	2,6	4,18	35	77	1600	80,0	2985	95,0	95,6	96,0	0,85	0,89	0,91	363
250	340	355M/L	801	7,9	2,5	2,7	4,93	20	44	1750	80,0	2984	95,0	95,6	96,0	0,85	0,89	0,91	413
260	350	355M/L	832	7,7	2,4	2,7	4,93	30	66	1750	80,0	2985	95,0	95,6	96,0	0,85	0,89	0,91	430
280	380	355M/L	896	8,4	2,3	2,9	5,17	25	55	1800	80,0	2985	95,4	95,8	96,0	0,82	0,88	0,90	468

Notes:

- (1) Efficiency values are given according to IEC 60034-2-1. They are calculated according to indirect method, with stray load losses determined by measurement.
- (2) Fitted with air deflector in the drive end side.

Ex ec IIC T3 Gc / Ex tc IIIB T125°C Dc

Output		380 V								415 V							
		Rated speed (rpm)	% of full load						Full load current In (A)	Rated speed (rpm)	% of full load						Full load current In (A)
			Efficiency			Power Factor					Efficiency			Power Factor			
kW	HP	50	75	100	50	75	100		50	75	100	50	75	100			
II pole - 3000 rpm - 50 Hz																	
0,12	0,16	2860	59,0	61,5	65,0	0,53	0,64	0,72	0,390	2880	57,0	60,8	64,0	0,49	0,58	0,67	0,389
0,18	0,25	2835	62,6	65,9	65,9	0,57	0,70	0,79	0,525	2870	59,6	65,2	65,9	0,49	0,62	0,71	0,535
0,25	0,33	2795	64,6	68,7	69,7	0,59	0,73	0,81	0,673	2835	61,5	67,2	69,7	0,51	0,64	0,74	0,674
0,37	0,5	2795	73,6	74,3	73,8	0,71	0,82	0,87	0,876	2825	72,4	73,8	73,8	0,63	0,76	0,83	0,840
0,55	0,75	2805	75,6	75,7	77,8	0,73	0,83	0,88	1,22	2845	74,4	76,0	77,8	0,64	0,77	0,84	1,17
0,75	1	2840	80,0	80,5	80,7	0,65	0,77	0,84	1,68	2870	79,1	81,0	81,1	0,56	0,70	0,79	1,63
1,1	1,5	2815	82,0	83,0	83,0	0,66	0,78	0,84	2,40	2850	80,0	83,0	83,4	0,56	0,69	0,78	2,35
1,5	2	2870	82,0	83,5	84,2	0,67	0,78	0,84	3,22	2895	81,5	83,5	84,2	0,57	0,70	0,78	3,18
1,5	2	2870	82,0	83,5	84,2	0,67	0,78	0,84	3,22	2895	81,5	83,5	84,2	0,57	0,70	0,78	3,18
2,2	3	2850	85,0	85,5	85,9	0,70	0,81	0,86	4,52	2880	85,3	86,4	86,5	0,60	0,73	0,81	4,37
3	4	2905	85,5	86,5	87,1	0,71	0,82	0,87	6,02	2920	84,5	86,5	87,2	0,64	0,76	0,83	5,77
4	5,5	2890	87,5	88,2	88,2	0,71	0,81	0,86	8,01	2920	86,0	88,0	88,4	0,61	0,74	0,81	7,77
5,5	7,5	2935	87,6	88,9	89,2	0,71	0,82	0,87	10,8	2945	86,1	88,3	89,2	0,61	0,74	0,81	10,6
7,5	10	2915	89,2	90,1	90,1	0,73	0,83	0,88	14,4	2930	87,9	89,7	90,3	0,63	0,76	0,83	13,9
9,2	12,5	2920	90,7	91,0	90,8	0,79	0,87	0,90	17,1	2930	90,1	91,0	91,3	0,71	0,82	0,87	16,1
11	15	2950	90,7	91,2	91,2	0,74	0,83	0,87	21,1	2955	89,9	91,3	91,4	0,65	0,77	0,83	20,2
15	20	2945	91,0	91,6	91,9	0,72	0,82	0,87	28,5	2955	90,3	91,6	91,9	0,63	0,76	0,82	27,7
18,5	25	2950	92,0	92,3	92,4	0,74	0,83	0,88	34,6	2960	91,0	92,2	92,4	0,64	0,77	0,83	33,6
22	30	2955	92,2	92,7	92,7	0,74	0,83	0,87	41,4	2965	91,5	92,5	92,7	0,66	0,78	0,84	39,3
30	40	2965	92,6	93,2	93,3	0,75	0,83	0,87	56,2	2975	91,8	93,0	93,3	0,64	0,77	0,83	53,9
37	50	2965	93,0	93,6	93,7	0,74	0,83	0,86	69,8	2970	92,0	93,2	93,7	0,63	0,76	0,82	67,0
45	60	2955	93,5	93,8	94,0	0,79	0,86	0,89	81,7	2965	93,5	94,0	94,0	0,73	0,82	0,86	77,4
55	75	2960	93,5	94,0	94,3	0,79	0,85	0,88	101	2965	93,1	94,0	94,4	0,72	0,81	0,85	95,4
75	100	2975	93,9	94,7	94,7	0,78	0,84	0,87	138	2980	93,5	94,7	94,9	0,72	0,81	0,85	129
90	125	2973	94,5	95,0	95,0	0,83	0,88	0,89	162	2978	94,2	95,2	95,2	0,78	0,86	0,88	149
110	150	2970	94,6	95,4	95,4	0,81	0,86	0,88	199	2976	94,1	95,2	95,4	0,75	0,83	0,86	187
132	175	2977	94,7	95,5	95,6	0,81	0,87	0,90	233	2982	94,3	95,4	95,6	0,75	0,84	0,88	218
150	200	2976	95,0	95,6	95,6	0,83	0,88	0,90	265	2981	94,3	95,3	95,6	0,78	0,85	0,89	245
160	220	2975	95,3	95,8	95,8	0,82	0,88	0,90	282	2980	94,9	95,8	95,8	0,77	0,85	0,88	264
185	250	2975	95,5	95,8	95,8	0,82	0,88	0,89	330	2980	95,2	95,8	95,8	0,77	0,85	0,88	305
200	270	2975	95,0	95,5	95,8	0,84	0,89	0,90	352	2979	95,0	95,5	95,8	0,80	0,87	0,89	326
220	300	2978	96,0	96,0	96,0	0,83	0,89	0,91	383	2983	95,8	96,0	96,0	0,79	0,86	0,89	358
250	340	2975	95,5	96,0	96,0	0,87	0,91	0,91	435	2980	95,5	96,0	96,0	0,83	0,89	0,91	398
260	350	2975	96,4	96,0	96,0	0,87	0,91	0,92	447	2980	96,3	96,0	96,0	0,83	0,89	0,91	414
280	380	2975	96,2	95,8	96,0	0,87	0,91	0,91	487	2980	96,2	95,8	96,0	0,85	0,89	0,90	451
315	430	2980	95,0	96,0	96,0	0,89	0,91	0,91	548	2984	95,2	95,6	95,8	0,86	0,90	0,91	503
330	450	2980	95,2	96,0	96,0	0,90	0,91	0,91	574	2985	95,6	96,2	96,2	0,88	0,91	0,92	519
355	480	2987	95,5	95,5	96,0	0,84	0,89	0,90	624	2990	95,0	95,5	96,0	0,80	0,87	0,89	578
370	500	2980	95,8	96,0	96,2	0,86	0,90	0,91	642	2985	95,5	96,3	96,4	0,84	0,88	0,89	600
400	550	2982	95,9	96,2	96,3	0,87	0,90	0,91	694	2986	95,7	96,2	96,4	0,84	0,88	0,91	634
450	610	2979	95,9	96,2	96,4	0,87	0,91	0,91	779	2983	95,7	96,2	96,4	0,84	0,89	0,91	714
Optional frames & high output designs																	
0,25	0,33	2830	69,0	69,7	69,7	0,67	0,79	0,86	0,634	2863	69,0	69,7	69,7	0,59	0,72	0,81	0,616
0,37	0,5	2703	73,0	73,8	73,8	0,63	0,78	0,87	0,876	2764	72,4	73,8	73,8	0,55	0,70	0,81	0,861
0,75	1	2885	79,5	82,5	81,0	0,68	0,78	0,84	1,67	2910	78,4	82,3	81,5	0,60	0,72	0,79	1,62
1,1	1,5	2865	82,6	84,2	84,0	0,68	0,79	0,84	2,37	2890	81,4	84,0	84,7	0,59	0,72	0,80	2,26
1,1	1,5	2865	82,6	84,2	84,0	0,68	0,79	0,84	2,37	2890	81,4	84,0	84,7	0,59	0,72	0,80	2,26
2,2	3	2900	85,4	86,5	86,5	0,75	0,84	0,89	4,36	2915	84,7	86,5	86,8	0,68	0,80	0,86	4,10
2,2	3	2885	85,0	85,5	85,9	0,67	0,79	0,84	4,63	2905	84,0	86,3	86,0	0,57	0,71	0,79	4,50
2,2	3	2900	85,4	86,5	86,5	0,75	0,84	0,89	4,36	2915	84,7	86,5	86,8	0,68	0,80	0,86	4,10
3	4	2910	85,5	86,5	87,1	0,75	0,84	0,88	5,95	2925	84,5	86,5	87,2	0,66	0,78	0,84	5,70
4	5,5	2935	87,1	88,6	88,7	0,76	0,85	0,89	7,70	2950	86,6	88,6	89,2	0,69	0,80	0,86	7,25
5,5	7,5	2935	87,6	88,9	89,2	0,71	0,82	0,87	10,8	2945	86,1	88,3	89,2	0,61	0,74	0,81	10,6
7,5	10	2915	89,2	90,1	90,1	0,73	0,83	0,88	14,4	2930	87,9	89,7	90,3	0,63	0,76	0,83	13,9
11	15	2950	90,7	91,2	91,2	0,74	0,83	0,87	21,1	2955	89,9	91,3	91,4	0,65	0,77	0,83	20,2
15	20	2945	91,0	91,6	91,9	0,72	0,82	0,87	28,5	2955	90,3	91,6	91,9	0,63	0,76	0,82	27,7
18,5	25	2955	92,0	92,6	92,4	0,78	0,85	0,88	34,6	2965	91,0	92,7	92,5	0,72	0,81	0,86	32,4
22	30	2955	92,2	92,7	92,7	0,74	0,83	0,87	41,4	2965	91,5	92,5	92,7	0,66	0,78	0,84	39,3
200	270	2975	95,8	96,2	96,0	0,84	0,89	0,91	348	2980	95,6	96,2	96,0	0,80	0,87	0,89	326
200	270	2985	95,2	96,0	96,0	0,83	0,89	0,91	348	2990	94,9	95,9	96,0	0,77	0,86	0,89	326
220	300	2980	95,0	95,6	96,0	0,88	0,91	0,92	378	2985	95,1	95,6	96,0	0,85	0,90	0,91	350
250	340	2980	95,5	95,8	95,8	0,88	0,90	0,91	436	2985	95,0	95,6	96,0	0,85	0,89	0,91	398
260	350	2980	95,5	95,8	95,8	0,89	0,92	0,92	448	2985	95,0	95,6	96,0	0,86	0,90	0,92	410
280	380	2985	95,4	95,8	96,0	0,87	0,91	0,92	482	2985	95,6	96,0	96,2	0,84	0,89	0,91	445

W22Xec - Premium Efficiency - IE3 (1)

Output		Frame	Full Load Torque (Nm)	Locked Rotor Current I _L /I _n	Locked Rotor Torque T _L /T _n	Break-down Torque T _b /T _n	Inertia J (kgm ²)	Allowable locked rotor time (s)		Weight (kg)	Sound dB(A)	400 V						Full load current I _n (A)	
								Rated speed (rpm)	% of full load			Power Factor							
									Efficiency										
kW	HP							Hot	Cold			50	75	100	50	75	100		
IV pole - 1500 rpm - 50 Hz																			
0,12	0,16	63	0,800	4,4	2,3	2,5	0,0004	52	114	5,2	44,0	1425	57,0	63,0	64,8	0,52	0,62	0,71	0,376
0,18	0,25	63	1,25	4,6	2,2	2,2	0,0006	30	66	7,2	44,0	1380	65,0	67,0	69,9	0,53	0,63	0,72	0,516
0,25	0,33	71	1,69	4,8	2,4	2,4	0,0009	30	66	8,0	43,0	1410	69,0	72,0	73,5	0,52	0,62	0,72	0,682
0,37	0,5	71	2,55	4,8	2,8	2,7	0,0008	30	66	9,5	43,0	1385	73,0	75,0	77,3	0,50	0,62	0,70	0,987
0,55	0,75	80	3,69	6,6	2,8	2,8	0,0027	24	53	12,5	44,0	1425	77,0	79,0	80,8	0,61	0,74	0,80	1,23
0,75	1	80	4,99	7,0	3,4	3,5	0,0032	18	40	14,5	44,0	1435	78,0	81,0	82,5	0,54	0,68	0,78	1,68
1,1	1,5	90S	7,27	6,7	2,3	2,7	0,0055	17	37	19,5	49,0	1445	83,0	84,5	84,5	0,59	0,72	0,80	2,35
1,5	2	90L	9,88	7,4	2,9	3,2	0,0066	13	29	23,0	49,0	1450	84,0	85,0	85,3	0,55	0,68	0,76	3,34
2,2	3	100L	14,7	7,8	3,5	3,4	0,0090	18	40	31,5	53,0	1435	86,5	87,0	87,0	0,59	0,72	0,79	4,62
3	4	L100L	19,9	7,8	3,9	3,2	0,0120	15	33	37,5	53,0	1440	87,0	88,0	88,0	0,60	0,73	0,80	6,15
4	5,5	112M	26,4	7,0	2,6	3,1	0,0180	15	33	44,0	56,0	1450	88,7	89,1	88,8	0,59	0,71	0,78	8,34
5,5	7,5	132S	35,9	8,3	2,3	3,3	0,0491	12	26	66,0	56,0	1465	89,0	89,6	89,7	0,66	0,78	0,84	10,5
7,5	10	132M	49,1	8,3	2,4	3,5	0,0563	7	15	74,0	56,0	1460	90,5	90,8	90,6	0,63	0,76	0,84	14,2
9,2	12,5	160M	59,5	7,2	2,5	3,0	0,1118	15	33	109	61,0	1477	90,0	91,0	91,1	0,66	0,77	0,83	17,6
11	15	160M	71,1	8,0	2,7	3,0	0,1191	13	29	113	61,0	1479	90,7	91,6	91,4	0,65	0,77	0,83	20,9
15	20	160L	97,5	7,0	2,7	3,0	0,1534	14	31	140	61,0	1470	92,0	92,5	92,3	0,66	0,77	0,83	28,3
18,5	25	180M	120	7,5	3,0	3,2	0,1740	13	29	191	61,0	1470	91,8	92,6	92,6	0,64	0,76	0,82	35,2
22	30	180L	143	7,7	3,3	3,4	0,2097	11	24	208	61,0	1475	92,3	93,0	93,2	0,66	0,77	0,83	41,0
30	40	200L	194	7,5	2,8	3,1	0,3202	10	22	228	63,0	1480	92,9	93,6	93,6	0,63	0,75	0,81	57,1
37	50	225S/M	239	7,7	2,8	3,3	0,5177	13	29	365	63,0	1480	93,4	94,0	94,1	0,65	0,76	0,82	69,2
45	60	225S/M	291	7,5	2,8	3,1	0,6733	17	37	400	63,0	1480	93,7	94,1	94,4	0,68	0,78	0,83	82,9
55	75	250S/M	355	7,7	2,7	3,0	1,05	16	35	500	64,0	1482	94,3	94,6	94,6	0,69	0,80	0,85	98,7
75	100	280S/M	483	7,5	2,2	2,6	2,09	20	44	630	69,0	1485	94,5	95,1	95,2	0,72	0,81	0,85	134
90	125	280S/M	579	7,0	2,2	2,5	2,17	20	44	700	69,0	1485	94,9	95,4	95,4	0,74	0,82	0,85	160
110	150	315S/M	706	7,0	2,3	2,6	2,89	35	77	950	71,0	1489	94,7	95,5	95,6	0,72	0,81	0,85	195
132	175	315S/M	846	7,5	2,5	2,7	3,79	20	44	1010	71,0	1490	95,1	95,7	95,8	0,74	0,82	0,86	231
150	200	315S/M	962	8,0	2,9	2,9	3,77	27	59	1030	71,0	1490	95,4	95,8	95,9	0,70	0,80	0,84	269
160	220	315S/M	1027	7,7	2,7	2,7	3,99	32	70	1080	71,0	1489	95,2	95,9	96,0	0,73	0,82	0,86	280
185	250	315S/M	1186	7,8	2,9	2,9	4,42	30	66	1150	71,0	1490	95,5	96,1	96,0	0,71	0,80	0,85	327
200	270	315L	1284	6,7	2,4	2,4	4,75	21	46	1300	73,0	1488	96,0	96,3	96,0	0,78	0,85	0,87	346
220	300	315L	1411	7,5	2,8	2,7	5,30	12	26	1340	73,0	1490	95,8	96,1	96,2	0,72	0,81	0,85	388
250	340	315L	1605	7,3	2,9	2,7	5,75	19	42	1430	75,0	1488	96,0	96,2	96,2	0,73	0,82	0,86	436
260	350	315L	1667	7,9	2,9	2,7	6,41	19	42	1430	75,0	1490	96,0	96,2	96,2	0,73	0,82	0,86	454
280	380	315L	1796	7,0	2,5	2,7	6,31	15	33	1719	75,0	1490	95,8	96,0	96,2	0,76	0,84	0,87	483
300	400	315L	1924	8,3	3,2	3,0	6,54	12	26	1600	75,0	1490	95,8	96,0	96,2	0,74	0,82	0,86	523
315	430	355M/L	2019	7,9	2,9	2,8	9,47	17	37	1750	74,0	1491	96,1	96,3	96,3	0,71	0,80	0,84	562
330	450	355M/L	2116	7,1	2,5	2,5	10,7	20	44	1810	74,0	1490	95,8	96,0	96,2	0,71	0,82	0,85	583
355	480	355M/L	2277	7,2	2,4	2,5	11,6	15	33	1878	74,0	1490	95,9	96,5	96,4	0,74	0,83	0,86	618
400	550	355A/B	2562	7,5	2,6	2,8	12,5	20	44	2089	76,0	1492	95,7	96,1	96,2	0,68	0,79	0,84	714
450	610	355A/B	2886	7,0	2,8	2,8	13,2	20	44	2417	76,0	1490	95,8	96,1	96,2	0,69	0,80	0,84	804
Optional frames & high output designs																			
0,75	1	90S	4,91	7,8	2,7	3,4	0,0049	21	46	18,5	49,0	1460	82,5	84,0	84,5	0,54	0,68	0,77	1,66
1,1	1,5	90L	7,27	7,0	2,3	2,7	0,0055	15	33	19,5	49,0	1445	83,0	84,5	84,5	0,59	0,72	0,80	2,35
1,1	1,5	L90S	7,27	7,0	2,3	2,7	0,0055	15	33	19,5	49,0	1445	83,0	84,5	84,5	0,59	0,72	0,80	2,35
1,5	2	100L	9,95	7,7	3,1	3,4	0,0082	25	55	30,0	53,0	1440	85,5	86,0	86,0	0,61	0,73	0,80	3,15
1,5	2	L90L	9,88	7,4	2,9	3,2	0,0066	13	29	23,0	49,0	1450	84,0	85,0	85,3	0,55	0,68	0,76	3,34
2,2	3	112M	14,5	7,3	2,3	3,0	0,0143	31	68	41,0	56,0	1455	87,5	88,2	88,2	0,60	0,73	0,80	4,50
3	4	112M	19,8	7,0	2,3	2,9	0,0169	25	55	43,0	56,0	1450	87,0	88,0	88,0	0,62	0,74	0,81	6,07
5,5	7,5	132M	35,9	8,3	2,3	3,3	0,0491	12	26	66,0	56,0	1465	89,0	89,6	89,7	0,66	0,78	0,84	10,5
11	15	160L	71,3	7,5	2,8	3,2	0,1191	11	24	113	61,0	1475	91,1	91,8	91,6	0,65	0,77	0,83	20,9
15	20	180M	97,5	7,5	2,8	3,0	0,1570	23	51	155	61,0	1470	91,9	92,5	92,3	0,66	0,77	0,83	28,3
18,5	25	180L	120	7,5	3,0	3,2	0,1740	13	29	188	61,0	1470	91,8	92,6	92,6	0,64	0,76	0,82	35,2
110	150	280S/M	708	7,7	2,5	2,9	3,25	19	42	800	69,0	1485	95,3	95,6	95,6	0,73	0,82	0,85	195
200	270	355M/L	1282	6,5	2,1	2,4	7,01	22	48	1495	74,0	1491	95,8	96,0	96,2	0,72	0,81	0,85	353
220	300	355M/L	1409	7,4	2,4	2,8	7,34	20	44	1510	74,0	1492	96,0	96,0	96,2	0,71	0,80	0,84	393
250	340	355M/L	1603	7,3	2,3	2,5	7,70	26	57	1550	74,0	1490	95,9	96,6	96,2	0,74	0,82	0,86	436
260	350	355M/L	1667	7,3	2,3	2,5	8,59	26	57	1550	74,0	1490	95,9	96,6	96,2	0,74	0,82	0,86	454
280	380	355M/L	1796	7,3	2,4	2,6	9,66	20	44	1600	74,0	1490	95,9	96,0	96,2	0,74	0,83	0,86	488
300	400	355M/L	1924	7,6	2,3	2,5	8,95	19	42	1650	74,0	1490	95,8	96,0	96,2	0,71	0,80	0,85	530

Notes:

- (1) Efficiency values are given according to IEC 60034-2-1. They are calculated according to indirect method, with stray load losses determined by measurement.
- (2) Fitted with air deflector in the drive end side.

Ex ec IIC T3 Gc / Ex tc IIIB T125°C Dc

Output		380 V									415 V								
		Rated speed (rpm)	% of full load						Full load current In (A)	Rated speed (rpm)	% of full load						Full load current In (A)		
			Efficiency			Power Factor					Efficiency			Power Factor					
kW	HP	50	75	100	50	75	100		50	75	100	50	75	100					
IV pole - 1500 rpm - 50 Hz																			
0,12	0,16	1415	58,6	64,0	64,8	0,54	0,65	0,74	0,380	1430	55,6	63,0	64,8	0,50	0,60	0,69	0,373		
0,18	0,25	1365	65,0	67,0	69,9	0,57	0,67	0,75	0,522	1395	65,0	67,0	69,9	0,50	0,61	0,70	0,512		
0,25	0,33	1400	67,0	69,1	73,5	0,56	0,67	0,75	0,689	1420	65,1	68,6	73,5	0,50	0,62	0,69	0,686		
0,37	0,5	1370	73,0	75,0	77,3	0,53	0,64	0,72	1,01	1395	73,0	75,0	77,3	0,47	0,59	0,68	0,979		
0,55	0,75	1415	78,0	79,1	80,8	0,65	0,77	0,83	1,25	1430	76,0	78,9	80,8	0,57	0,71	0,77	1,23		
0,75	1	1430	79,0	81,5	82,5	0,59	0,73	0,82	1,68	1440	77,0	81,0	82,5	0,50	0,65	0,76	1,66		
1,1	1,5	1435	84,0	84,7	84,3	0,64	0,76	0,83	2,39	1450	82,0	84,1	84,8	0,55	0,69	0,77	2,34		
1,5	2	1445	85,0	85,3	85,3	0,59	0,72	0,79	3,38	1455	83,1	85,0	85,3	0,50	0,63	0,73	3,35		
2,2	3	1430	87,2	87,1	86,7	0,62	0,75	0,81	4,76	1440	85,7	86,8	87,2	0,55	0,68	0,77	4,56		
3	4	1430	87,7	88,0	87,7	0,65	0,77	0,83	6,26	1445	86,3	87,7	88,1	0,56	0,70	0,78	6,07		
4	5,5	1445	88,9	89,0	88,6	0,64	0,75	0,81	8,47	1455	88,0	88,9	88,9	0,56	0,69	0,75	8,35		
5,5	7,5	1460	89,0	89,6	89,6	0,71	0,81	0,86	10,8	1470	89,4	89,6	89,8	0,63	0,75	0,82	10,4		
7,5	10	1460	90,0	90,2	90,4	0,66	0,79	0,86	14,7	1465	89,2	90,3	90,4	0,60	0,73	0,83	13,9		
9,2	12,5	1475	90,8	90,9	91,0	0,70	0,81	0,85	18,1	1479	90,4	91,3	91,4	0,64	0,76	0,82	17,1		
11	15	1475	91,4	91,4	91,4	0,69	0,80	0,85	21,5	1480	90,6	91,4	91,4	0,61	0,74	0,81	20,7		
15	20	1465	92,1	92,4	92,1	0,70	0,80	0,85	29,1	1475	91,4	92,3	92,1	0,62	0,75	0,81	28,0		
18,5	25	1470	92,2	92,6	92,6	0,69	0,79	0,84	36,1	1475	91,8	92,6	92,6	0,61	0,73	0,80	34,7		
22	30	1470	92,5	92,8	93,0	0,70	0,81	0,85	42,3	1475	91,9	92,8	93,0	0,62	0,74	0,81	40,6		
30	40	1475	93,4	93,6	93,6	0,68	0,79	0,84	58,0	1480	92,3	93,3	93,6	0,59	0,72	0,79	56,4		
37	50	1478	93,7	93,9	93,9	0,69	0,79	0,84	71,3	1482	93,1	93,9	93,9	0,61	0,73	0,80	68,5		
45	60	1475	93,8	94,0	94,2	0,72	0,81	0,85	85,4	1480	93,5	94,1	94,4	0,66	0,77	0,82	80,9		
55	75	1480	94,5	94,6	94,6	0,73	0,82	0,86	103	1484	94,0	94,6	94,6	0,60	0,78	0,83	97,5		
75	100	1483	94,7	94,9	95,0	0,75	0,83	0,86	139	1485	94,4	94,9	95,2	0,70	0,79	0,84	130		
90	125	1480	95,2	95,4	95,2	0,77	0,84	0,86	167	1485	95,0	95,4	95,4	0,72	0,81	0,84	156		
110	150	1488	95,0	95,5	95,5	0,76	0,83	0,87	201	1490	94,4	95,4	95,5	0,71	0,79	0,83	193		
132	175	1489	95,3	95,6	95,6	0,77	0,84	0,87	241	1491	94,8	95,6	95,6	0,71	0,80	0,84	229		
150	200	1490	95,4	95,8	95,9	0,75	0,83	0,86	276	1492	95,0	95,9	96,0	0,68	0,78	0,83	262		
160	220	1488	95,7	95,8	95,8	0,77	0,84	0,87	292	1490	95,3	95,8	95,8	0,71	0,80	0,84	277		
185	250	1488	95,8	96,0	96,0	0,75	0,83	0,86	340	1490	95,2	96,0	96,0	0,68	0,78	0,83	323		
200	270	1486	96,1	96,2	96,0	0,80	0,86	0,88	360	1489	95,9	96,3	96,1	0,76	0,83	0,87	333		
220	300	1489	96,0	96,4	96,3	0,75	0,83	0,87	399	1491	95,5	96,2	96,2	0,69	0,79	0,84	379		
250	340	1487	95,8	96,0	96,2	0,77	0,84	0,87	454	1490	96,0	96,2	96,4	0,71	0,80	0,85	424		
260	350	1490	95,8	96,0	96,2	0,77	0,84	0,87	472	1490	96,0	96,2	96,4	0,71	0,80	0,85	441		
280	380	1490	95,8	96,0	96,0	0,79	0,86	0,88	504	1490	95,8	96,0	96,0	0,74	0,83	0,86	472		
300	400	1489	95,8	96,1	96,0	0,77	0,84	0,87	546	1491	95,2	95,9	96,0	0,70	0,80	0,85	511		
315	430	1490	95,8	96,0	96,0	0,75	0,83	0,86	580	1492	95,9	96,0	96,0	0,68	0,79	0,84	543		
330	450	1490	95,8	96,2	96,2	0,80	0,86	0,88	592	1490	95,8	96,2	96,2	0,75	0,83	0,87	549		
355	480	1490	96,0	96,4	96,4	0,77	0,85	0,87	643	1490	95,8	96,3	96,4	0,72	0,82	0,85	603		
400	550	1491	96,0	96,2	96,1	0,72	0,82	0,86	735	1493	95,4	95,9	96,1	0,65	0,76	0,82	706		
450	610	1490	96,0	96,2	96,2	0,73	0,83	0,86	826	1490	95,5	95,9	96,1	0,65	0,77	0,82	794		
Optional frames & high output designs																			
0,75	1	1455	83,2	84,1	84,0	0,59	0,72	0,80	1,70	1465	81,8	83,8	84,6	0,50	0,65	0,74	1,67		
1,1	1,5	1435	84,0	84,7	84,3	0,64	0,76	0,83	2,39	1450	82,0	84,1	84,8	0,55	0,69	0,77	2,34		
1,1	1,5	1435	84,0	84,7	84,3	0,64	0,76	0,83	2,39	1450	82,0	84,1	84,8	0,55	0,69	0,77	2,34		
1,5	2	1430	85,5	86,0	86,0	0,65	0,77	0,83	3,19	1445	85,5	86,0	86,0	0,58	0,71	0,78	3,11		
1,5	2	1445	85,0	85,3	85,3	0,59	0,72	0,79	3,38	1455	83,1	85,0	85,3	0,50	0,63	0,73	3,35		
2,2	3	1450	87,9	88,1	87,6	0,64	0,76	0,82	4,65	1460	87,2	88,2	88,5	0,57	0,70	0,78	4,43		
3	4	1445	87,5	87,7	87,7	0,66	0,77	0,83	6,26	1455	86,5	88,0	88,1	0,59	0,71	0,79	6,00		
5,5	7,5	1460	89,0	89,6	89,6	0,71	0,81	0,86	10,8	1470	89,4	89,6	89,8	0,63	0,75	0,82	10,4		
11	15	1470	91,7	91,4	91,4	0,69	0,80	0,85	21,5	1475	90,6	91,4	91,5	0,61	0,74	0,81	20,6		
15	20	1470	92,6	92,9	92,3	0,70	0,80	0,85	29,0	1475	92,0	92,8	92,6	0,63	0,75	0,81	27,8		
18,5	25	1470	92,2	92,6	92,6	0,69	0,79	0,84	36,1	1475	91,8	92,6	92,6	0,61	0,73	0,80	34,7		
110	150	1483	95,4	95,4	95,4	0,77	0,83	0,86	204	1485	95,2	95,6	95,6	0,71	0,80	0,84	191		
200	270	1490	95,8	96,0	96,2	0,75	0,83	0,86	367	1492	95,8	96,2	96,3	0,69	0,79	0,84	344		
220	300	1491	95,8	96,0	96,0	0,74	0,83	0,86	405	1493	95,7	96,0	96,0	0,68	0,78	0,82	389		
250	340	1490	95,8	96,0	96,2	0,77	0,84	0,87	454	1490	95,8	96,2	96,4	0,71	0,80	0,85	424		
260	350	1490	95,8	96,0	96,2	0,77	0,84	0,87	472	1490	95,8	96,2	96,4	0,71	0,80	0,85	441		
280	380	1490	95,8	96,0	96,2	0,77	0,84	0,87	508	1490	96,0	96,2	96,3	0,71	0,81	0,85	476		
300	400	1490	95,8	96,2	96,2	0,75	0,83	0,86	551	1490	95,8	96,2	96,2	0,68	0,78	0,83	523		



W22Xec - Premium Efficiency - IE3 ⁽¹⁾

Output		Frame	Full Load Torque (Nm)	Locked Rotor Current I _L /I _n	Locked Rotor Torque T _L /T _n	Break-down Torque T _b /T _n	Inertia J (kgm ²)	Allowable locked rotor time (s)		Weight (kg)	Sound dB(A)	400 V						Full load current I _n (A)	
								Rated speed (rpm)	% of full load			Power Factor							
									Efficiency			Power Factor							
kW	HP							Hot	Cold			50	75	100	50	75	100		
VI pole - 1000 rpm - 50 Hz																			
0,12	0,16	63	1,24	3,1	2,1	2,3	0,0007	30	66	7,7	43,0	925	50,0	55,0	57,7	0,40	0,50	0,59	0,509
0,18	0,25	71	1,91	3,2	2,0	2,1	0,0009	30	66	11,5	43,0	900	56,0	62,0	63,9	0,38	0,48	0,57	0,713
0,25	0,33	80	2,50	4,3	2,0	2,4	0,0029	25	55	12,0	43,0	955	63,6	68,5	68,8	0,47	0,60	0,69	0,760
0,37	0,5	80	3,82	4,2	2,1	2,1	0,0025	25	55	12,5	43,0	925	66,0	69,5	73,5	0,51	0,65	0,75	0,969
0,55	0,75	L80	5,56	5,1	2,9	3,1	0,0037	20	44	15,5	43,0	945	70,5	75,2	77,2	0,45	0,58	0,69	1,49
0,75	1	L90S	7,54	5,2	2,5	2,6	0,0060	31	68	22,0	45,0	950	76,5	79,0	79,0	0,49	0,62	0,71	1,93
1,1	1,5	L90L	11,1	5,5	2,7	2,7	0,0077	20	44	26,0	45,0	945	79,3	81,4	81,0	0,50	0,64	0,73	2,69
1,5	2	100L	15,0	5,5	2,7	2,7	0,0143	31	68	32,0	44,0	955	81,5	82,5	82,5	0,49	0,62	0,71	3,70
2,2	3	112M	21,9	6,5	2,7	2,7	0,0257	26	57	46,0	49,0	960	83,0	84,5	84,5	0,48	0,61	0,71	5,29
3	4	132S	29,6	6,1	1,9	2,4	0,0416	40	88	65,0	53,0	970	85,0	85,6	85,6	0,53	0,66	0,73	6,93
4	5,5	132M	39,6	6,5	2,1	2,6	0,0492	20	44	70,0	53,0	965	86,0	86,8	86,8	0,53	0,66	0,73	9,11
5,5	7,5	132M/L	54,2	7,3	2,6	2,8	0,0755	26	57	78,0	53,0	970	86,5	88,0	88,0	0,50	0,64	0,70	12,9
7,5	10	160M	73,5	6,3	2,2	2,5	0,1404	16	35	118	57,0	975	88,5	89,3	89,1	0,62	0,74	0,80	15,2
9,2	12,5	160L	90,2	6,5	2,3	2,9	0,1756	18	40	135	57,0	975	90,0	90,6	90,0	0,64	0,75	0,81	18,2
11	15	160L	107	7,1	2,8	3,0	0,1931	12	26	140	57,0	978	89,0	90,1	90,5	0,56	0,70	0,77	22,8
15	20	180L	147	8,2	2,8	3,2	0,2970	8	18	185	56,0	977	91,5	91,5	91,4	0,65	0,77	0,84	28,2
18,5	25	200L	180	6,3	2,4	2,8	0,3510	16	35	215	60,0	980	91,0	91,7	91,9	0,63	0,75	0,81	35,9
22	30	200L	215	6,4	2,4	2,8	0,4212	15	33	225	60,0	980	91,4	92,0	92,4	0,64	0,76	0,81	42,4
30	40	225S/M	292	6,5	2,4	2,6	0,8194	15	33	380	63,0	982	93,0	93,4	93,1	0,67	0,78	0,83	56,0
37	50	250S/M	359	7,2	2,5	2,7	1,24	20	44	430	64,0	985	93,3	93,5	93,5	0,70	0,80	0,85	67,2
45	60	280S/M	435	6,4	2,1	2,5	2,35	28	62	640	65,0	988	93,9	93,9	93,9	0,67	0,77	0,82	84,4
55	75	280S/M	532	6,8	2,2	2,5	2,69	24	53	665	65,0	988	94,0	94,2	94,3	0,66	0,77	0,82	103
75	100	315S/M	722	6,3	2,0	2,5	4,35	37	81	920	67,0	992	94,6	94,9	94,9	0,67	0,77	0,82	139
90	125	315S/M	869	6,4	2,2	2,5	5,42	35	77	990	67,0	990	95,1	95,5	95,1	0,68	0,78	0,83	165
110	150	315S/M	1062	6,2	2,1	2,4	6,15	31	68	1040	67,0	990	95,4	95,6	95,3	0,70	0,80	0,83	201
132	175	315S/M	1271	7,0	2,4	2,7	7,23	25	55	1100	67,0	992	95,4	95,8	95,6	0,67	0,77	0,82	243
150	200	315L	1448	6,5	2,3	2,5	7,96	25	55	1200	68,0	990	95,4	95,8	95,7	0,67	0,78	0,83	273
160	220	315L	1544	7,1	2,5	2,8	6,87	22	48	1230	68,0	990	95,6	95,6	95,8	0,67	0,77	0,82	294
185	250	315L	1786	7,1	2,4	2,6	9,22	20	44	1300	68,0	990	95,0	95,8	95,8	0,65	0,76	0,81	344
200	270	355M/L	1924	6,1	1,9	2,1	10,4	39	86	1620	73,0	993	95,5	96,0	95,9	0,66	0,76	0,80	376
220	300	355M/L	2115	6,5	2,1	2,4	12,0	36	79	1710	73,0	994	95,0	95,5	96,0	0,63	0,74	0,79	419
250	340	355M/L	2406	6,4	2,2	2,3	13,9	38	84	1830	73,0	993	95,7	95,9	95,9	0,64	0,75	0,79	476
260	350	355M/L	2502	5,5	2,1	2,2	13,9	38	84	1830	73,0	993	95,7	95,9	95,9	0,64	0,75	0,79	495
280	380	355M/L	2692	6,5	2,3	2,5	15,0	38	84	1970	73,0	994	95,1	95,1	96,0	0,64	0,75	0,80	526
300	400	355M/L	2890	5,8	1,9	2,0	15,0	25	55	2493	73,0	992	95,8	96,0	96,0	0,63	0,74	0,80	564
315	430	355M/L ⁽²⁾	3034	6,1	2,1	2,1	15,0	25	55	2493	73,0	992	95,2	95,8	95,8	0,66	0,76	0,80	593
355	480	355A/B ⁽²⁾	3419	6,2	2,0	2,3	17,1	29	64	2200	73,0	992	95,3	95,7	95,8	0,63	0,74	0,79	677
Optional frames & high output designs																			
0,55	0,75	90S	5,47	5,5	2,3	2,8	0,0055	35	77	19,0	45,0	960	77,0	77,2	77,5	0,48	0,62	0,71	1,44
0,55	0,75	L90S	5,47	5,5	2,3	2,8	0,0055	35	77	19,0	45,0	960	77,0	77,2	77,5	0,48	0,62	0,71	1,44
1,1	1,5	100L	11,1	4,9	2,2	2,4	0,0110	32	70	28,5	44,0	945	80,5	81,0	81,0	0,51	0,65	0,73	2,69
1,1	1,5	112M	11,0	6,2	2,3	2,8	0,0220	28	62	39,0	49,0	960	80,0	81,0	82,0	0,52	0,64	0,70	2,77
1,5	2	112M	14,9	6,7	2,8	3,0	0,0202	28	62	42,0	49,0	965	84,5	85,5	85,5	0,51	0,62	0,70	3,62
2,2	3	132S	21,6	6,5	2,1	2,5	0,0492	30	66	63,0	53,0	975	85,5	86,0	86,5	0,52	0,64	0,72	5,10
3	4	132M	29,6	6,1	1,9	2,4	0,0416	40	88	65,0	53,0	970	85,0	85,6	85,6	0,53	0,66	0,73	6,93
5,5	7,5	160M	53,8	6,5	2,4	2,9	0,1229	31	68	112	57,0	977	87,5	88,0	88,0	0,58	0,71	0,79	11,4
7,5	10	280S/M	724	7,9	2,7	3,2	4,48	17	37	725	65,0	990	94,1	94,7	94,7	0,63	0,75	0,81	141
150	200	355M/L	1443	5,4	1,8	2,3	8,78	76	167	1440	73,0	993	94,5	95,0	95,6	0,65	0,75	0,80	283
160	220	355M/L	1540	5,5	1,8	2,1	8,80	33	73	1500	73,0	993	94,9	95,6	95,8	0,63	0,74	0,79	305
185	250	355M/L	1778	6,6	2,1	2,4	9,26	34	75	1550	73,0	994	94,9	95,6	95,8	0,62	0,72	0,77	362

Notes:

- (1) Efficiency values are given according to IEC 60034-2-1. They are calculated according to indirect method, with stray load losses determined by measurement.
- (2) Fitted with air deflector in the drive end side.

Ex ec IIC T3 Gc / Ex tc IIIB T125°C Dc

Output		380 V								415 V							
		Rated speed (rpm)	% of full load						Full load current In (A)	Rated speed (rpm)	% of full load						Full load current In (A)
			Efficiency			Power Factor					Efficiency			Power Factor			
kW	HP	50	75	100	50	75	100	50	75	100	50	75	100	50	75	100	
VI pole - 1000 rpm - 50 Hz																	
0,12	0,16	910	48,7	54,7	57,7	0,40	0,53	0,63	0,502	930	50,0	55,0	57,7	0,39	0,47	0,56	0,517
0,18	0,25	885	57,7	62,8	63,9	0,43	0,55	0,64	0,669	910	54,5	61,2	63,9	0,38	0,48	0,57	0,688
0,25	0,33	950	65,9	68,0	68,6	0,51	0,64	0,73	0,758	960	61,7	68,2	68,8	0,45	0,57	0,66	0,766
0,37	0,5	915	67,6	69,9	73,5	0,55	0,69	0,79	0,968	935	64,3	68,8	73,5	0,48	0,62	0,72	0,973
0,55	0,75	940	73,4	76,7	77,2	0,49	0,63	0,73	1,48	950	67,9	75,0	77,2	0,42	0,55	0,65	1,52
0,75	1	945	77,5	79,2	78,9	0,53	0,66	0,74	1,95	955	75,3	78,6	79,1	0,46	0,59	0,69	1,91
1,1	1,5	940	81,0	82,0	81,0	0,55	0,69	0,77	2,68	950	77,7	80,7	81,0	0,47	0,61	0,70	2,70
1,5	2	950	82,3	82,6	82,5	0,53	0,66	0,74	3,73	960	80,6	82,3	82,8	0,46	0,59	0,68	3,71
2,2	3	955	83,6	84,4	84,3	0,52	0,65	0,73	5,43	965	82,3	84,3	84,7	0,45	0,58	0,69	5,24
3	4	965	85,0	85,6	85,6	0,57	0,69	0,76	7,01	975	85,2	85,8	85,6	0,49	0,63	0,71	6,87
4	5,5	960	86,3	86,8	86,8	0,57	0,70	0,76	9,21	970	85,4	86,5	86,8	0,49	0,62	0,71	9,03
5,5	7,5	965	87,4	88,3	88,0	0,55	0,68	0,75	12,7	975	85,8	87,7	88,0	0,47	0,60	0,67	13,0
7,5	10	970	88,9	89,0	89,1	0,65	0,77	0,82	15,6	975	88,0	89,0	89,1	0,58	0,71	0,79	14,8
9,2	12,5	970	89,5	90,0	90,0	0,68	0,78	0,83	18,7	975	89,6	90,0	90,0	0,61	0,73	0,79	18,0
11	15	975	89,7	90,3	90,3	0,60	0,73	0,80	23,1	980	88,3	89,8	90,5	0,53	0,67	0,74	22,9
15	20	975	90,7	91,0	91,2	0,68	0,80	0,86	29,1	980	91,3	91,6	91,6	0,62	0,75	0,82	27,8
18,5	25	980	91,0	91,7	91,7	0,68	0,78	0,83	36,9	985	90,3	91,4	91,7	0,59	0,72	0,78	36,0
22	30	980	92,0	92,2	92,2	0,69	0,79	0,84	43,2	980	90,8	91,8	92,2	0,60	0,72	0,79	42,0
30	40	980	93,3	93,3	92,9	0,71	0,80	0,85	57,7	985	92,8	93,4	93,0	0,64	0,75	0,82	54,7
37	50	980	93,3	93,3	93,3	0,73	0,82	0,86	70,1	985	93,3	93,5	93,5	0,68	0,78	0,84	65,5
45	60	985	93,7	93,8	93,8	0,70	0,80	0,83	87,8	990	93,7	94,0	94,0	0,64	0,75	0,81	82,2
55	75	987	94,0	94,2	94,2	0,70	0,79	0,83	107	989	94,0	94,3	94,3	0,63	0,75	0,81	100
75	100	990	94,6	94,8	94,8	0,71	0,80	0,83	145	992	94,3	95,0	95,0	0,64	0,75	0,80	137
90	125	990	95,0	95,1	95,1	0,72	0,80	0,84	171	990	95,0	95,1	95,2	0,65	0,76	0,81	162
110	150	990	94,8	95,0	95,1	0,74	0,82	0,84	209	990	94,8	95,1	95,1	0,68	0,78	0,82	196
132	175	991	95,4	95,8	95,6	0,69	0,79	0,83	253	992	95,4	95,8	95,6	0,65	0,75	0,80	240
150	200	990	95,4	95,7	95,7	0,69	0,80	0,85	280	990	95,4	95,5	95,7	0,65	0,76	0,81	269
160	220	990	95,5	95,8	95,8	0,71	0,80	0,84	302	990	95,3	95,8	95,8	0,64	0,75	0,81	287
185	250	990	94,8	95,3	95,8	0,70	0,79	0,83	353	990	94,8	95,3	95,8	0,62	0,74	0,80	336
200	270	992	95,7	96,0	95,8	0,70	0,79	0,82	387	993	95,3	95,9	95,9	0,63	0,74	0,79	367
220	300	993	95,0	95,5	96,0	0,65	0,76	0,81	430	995	95,0	95,5	96,1	0,61	0,72	0,77	414
250	340	992	95,8	95,8	95,8	0,68	0,77	0,80	496	994	95,5	96,0	96,0	0,61	0,73	0,78	464
260	350	992	95,0	95,8	95,8	0,68	0,77	0,80	515	993	95,5	96,0	96,0	0,61	0,73	0,78	483
280	380	993	95,7	96,1	96,0	0,68	0,77	0,81	547	994	95,2	95,9	96,1	0,61	0,72	0,78	520
300	400	991	95,8	96,0	96,0	0,65	0,76	0,82	579	993	95,8	96,0	96,0	0,61	0,73	0,78	557
315	430	992	95,8	96,2	96,0	0,68	0,78	0,81	615	993	95,3	96,0	96,1	0,61	0,73	0,78	585
355	480	991	95,4	95,7	95,8	0,64	0,75	0,79	713	993	95,2	95,7	95,9	0,62	0,73	0,79	652
Optional frames & high output designs																	
0,55	0,75	950	76,0	77,0	77,2	0,52	0,66	0,74	1,46	960	77,2	77,5	77,6	0,45	0,59	0,68	1,45
0,55	0,75	950	76,0	77,0	77,2	0,52	0,66	0,74	1,46	960	77,2	77,5	77,6	0,45	0,59	0,68	1,45
1,1	1,5	940	80,8	80,9	81,0	0,55	0,68	0,75	2,75	950	79,9	80,9	81,5	0,48	0,62	0,70	2,68
1,1	1,5	955	80,0	81,0	82,0	0,55	0,70	0,72	2,83	960	80,0	81,0	82,0	0,48	0,62	0,68	2,74
1,5	2	960	85,1	85,4	84,9	0,54	0,65	0,72	3,73	965	84,0	85,4	85,8	0,48	0,60	0,68	3,58
2,2	3	970	85,5	86,0	86,5	0,55	0,67	0,74	5,22	980	85,5	86,0	86,5	0,48	0,61	0,70	5,05
3	4	965	85,0	85,6	85,6	0,57	0,69	0,76	7,01	975	85,2	85,8	85,6	0,49	0,63	0,71	6,87
5,5	7,5	975	87,5	88,0	88,0	0,62	0,74	0,80	11,9	979	87,5	88,0	88,0	0,56	0,69	0,77	11,3
7,5	10	990	94,4	94,6	94,6	0,67	0,78	0,83	145	990	93,8	94,6	94,7	0,60	0,72	0,79	139
150	200	992	94,5	95,6	95,6	0,69	0,78	0,81	294	994	94,5	95,0	95,6	0,62	0,73	0,78	280
160	220	992	95,0	95,8	95,8	0,67	0,77	0,81	313	993	95,0	95,8	95,8	0,60	0,72	0,77	302
185	250	993	94,9	95,8	95,8	0,65	0,75	0,80	367	995	94,8	95,6	95,8	0,57	0,69	0,75	358



W22Xec - Premium Efficiency - IE3 ⁽¹⁾

Output		Frame	Full Load Torque (Nm)	Locked Rotor Current I _L /I _n	Locked Rotor Torque T _L /T _n	Break-down Torque T _b /T _n	Inertia J (kgm ²)	Allowable locked rotor time (s)		Weight (kg)	Sound dB(A)	400 V						Full load current I _n (A)	
								Rated speed (rpm)	% of full load			Full load current I _n (A)							
									Efficiency			Power Factor							
kW	HP							Hot	Cold			50	75	100	50	75	100		
VIII poles - 750 rpm - 50 Hz																			
0,12	0,16	71	1,76	2,4	1,8	1,9	0,0009	30	66	11,5	41,0	650	44,0	50,0	52,5	0,35	0,43	0,50	0,660
0,18	0,25	80	2,53	3,3	2,0	2,2	0,0029	30	66	13,5	42,0	680	51,0	57,0	58,7	0,45	0,55	0,65	0,681
0,25	0,33	80	3,44	3,5	2,0	2,2	0,0034	30	66	14,5	42,0	695	53,0	60,0	64,1	0,42	0,52	0,63	0,894
0,37	0,5	90S	5,05	3,7	2,0	2,3	0,0055	30	66	19,0	44,0	700	61,0	66,0	69,3	0,41	0,53	0,62	1,24
0,55	0,75	90L	7,56	3,8	1,9	2,2	0,0066	29	64	23,0	44,0	695	65,0	70,0	73,0	0,44	0,57	0,67	1,62
0,75	1	100L	10,1	4,3	1,8	2,1	0,0127	30	66	30,5	50,0	710	72,5	75,5	75,5	0,41	0,53	0,62	2,31
1,1	1,5	100L	14,8	4,6	1,9	2,0	0,0143	30	66	33,0	50,0	710	73,0	76,0	77,7	0,41	0,53	0,62	3,30
1,5	2	112M	20,3	5,0	2,5	2,8	0,0238	28	62	43,0	46,0	705	79,0	79,5	79,9	0,45	0,59	0,68	3,98
2,2	3	132S	29,6	6,2	2,3	2,5	0,0690	27	59	69,0	48,0	710	81,5	82,0	82,1	0,51	0,65	0,72	5,37
3	4	132M	40,1	6,5	2,4	2,6	0,0838	21	46	75,0	48,0	715	82,5	83,5	83,5	0,51	0,64	0,72	7,20
4	5,5	160M	52,4	5,0	2,1	2,3	0,1229	24	75	114	51,0	730	85,0	86,0	86,0	0,47	0,61	0,68	9,87
5,5	7,5	160M	72,5	5,0	2,1	2,3	0,1492	28	62	123	51,0	725	86,0	87,3	87,3	0,52	0,65	0,73	12,5
7,5	10	160L	98,0	5,5	2,2	2,5	0,2199	22	48	145	51,0	731	86,5	88,0	88,4	0,46	0,59	0,68	18,0
9,2	12,5	180M	121	6,0	2,0	2,6	0,2575	15	33	173	52,0	725	89,0	89,3	89,6	0,63	0,75	0,80	18,5
11	15	180L	144	6,5	2,3	2,7	0,2846	12	26	185	52,0	730	88,7	89,2	89,7	0,55	0,68	0,76	23,3
15	20	200L	196	4,9	1,8	2,0	0,4571	33	73	220	56,0	730	89,8	89,9	90,0	0,56	0,68	0,74	32,5
18,5	25	225S/M	241	6,5	1,7	2,5	0,8219	28	62	377	56,0	735	89,8	90,3	90,3	0,63	0,75	0,81	36,5
22	30	225S/M	286	7,0	2,1	2,7	0,9574	20	44	402	56,0	735	90,3	90,8	90,8	0,61	0,73	0,79	44,3
30	40	250S/M	393	7,4	1,9	2,8	1,43	18	40	490	56,0	730	91,0	91,5	91,5	0,66	0,77	0,83	57,0
37	50	280S/M	478	5,5	1,8	2,3	2,82	32	70	673	59,0	740	91,5	92,0	92,0	0,60	0,71	0,77	75,4
45	60	280S/M	581	6,0	1,8	2,2	3,49	30	66	720	59,0	740	92,2	92,4	92,4	0,63	0,73	0,79	89,0
55	75	315S/M	710	6,0	1,7	2,2	5,11	40	88	960	62,0	740	92,2	92,7	92,7	0,65	0,75	0,80	107
75	100	315S/M	968	6,0	1,8	2,2	6,56	40	88	1025	62,0	740	92,8	93,3	93,3	0,65	0,75	0,80	145
90	125	315S/M	1159	6,5	2,1	2,3	7,84	40	88	1100	62,0	742	93,1	93,6	93,6	0,65	0,75	0,80	173
110	150	315L	1420	6,0	1,9	2,2	9,46	35	77	1367	68,0	740	93,4	93,9	93,9	0,64	0,74	0,79	214
132	175	315L	1704	6,0	2,0	2,3	11,3	34	75	1508	68,0	740	93,7	94,2	94,2	0,64	0,74	0,79	256
150	200	355M/L	1926	6,5	1,6	2,5	13,2	45	99	1540	70,0	744	94,0	94,2	94,2	0,62	0,73	0,78	295
160	220	355M/L	2055	6,4	1,4	2,3	17,4	30	66	1747	70,0	744	94,0	94,5	94,5	0,64	0,75	0,79	309
185	250	355M/L	2373	6,9	2,0	2,9	18,5	56	123	1819	70,0	745	93,4	94,7	94,7	0,63	0,73	0,78	361
200	270	355M/L	2565	6,2	1,3	2,3	18,9	56	123	1891	70,0	745	94,3	94,8	94,8	0,65	0,76	0,80	381
220	300	355M/L	2825	7,0	1,8	2,6	19,8	30	66	2020	70,0	744	94,8	95,1	95,2	0,60	0,72	0,77	433
250	340	355A/B ⁽²⁾	3211	6,2	1,6	2,5	21,7	47	103	2092	70,0	744	94,8	95,3	95,3	0,62	0,73	0,79	479
260	350	355A/B ⁽²⁾	3335	6,2	1,5	2,4	21,7	47	103	2092	70,0	745	94,8	95,3	95,3	0,62	0,73	0,79	498
280	380	355A/B ⁽²⁾	3591	7,8	2,2	3,1	25,0	30	66	2279	70,0	745	94,1	95,1	95,3	0,61	0,71	0,77	551
Optional frames & high output designs																			
0,37	0,5	L90S	5,05	3,7	2,0	2,3	0,0055	30	66	19,0	44,0	700	61,0	66,0	69,3	0,41	0,53	0,62	1,24
0,55	0,75	L90L	7,56	3,8	1,9	2,2	0,0066	29	64	23,0	44,0	695	65,0	70,0	73,0	0,44	0,57	0,67	1,62
110	150	355M/L	1411	6,1	1,3	2,3	11,6	63	139	1450	70,0	745	93,4	93,9	93,9	0,64	0,75	0,79	214
132	175	355M/L	1693	6,5	1,3	2,3	12,6	48	106	1587	70,0	745	93,7	94,2	94,2	0,64	0,74	0,79	256

Notes:

- (1) Efficiency values are given according to IEC 60034-2-1. They are calculated according to indirect method, with stray load losses determined by measurement.
- (2) Fitted with air deflector in the drive end side.

Ex ec IIC T3 Gc / Ex tc IIIB T125°C Dc

Output		380 V								415 V							
		Rated speed (rpm)	% of full load						Full load current In (A)	Rated speed (rpm)	% of full load						Full load current In (A)
			Efficiency			Power Factor					Efficiency			Power Factor			
kW	HP	50	75	100	50	75	100	50	75	100	50	75	100	50	75	100	
VIII poles - 750 rpm - 50 Hz																	
0,12	0,16	640	46,6	51,7	52,9	0,38	0,46	0,54	0,638	655	41,8	48,2	51,4	0,34	0,41	0,48	0,677
0,18	0,25	670	52,8	58,0	58,7	0,48	0,59	0,69	0,675	685	49,3	56,0	58,7	0,43	0,53	0,62	0,688
0,25	0,33	685	54,0	60,0	64,1	0,44	0,57	0,67	0,884	705	56,0	62,0	64,3	0,39	0,50	0,60	0,902
0,37	0,5	690	61,0	66,0	69,3	0,44	0,56	0,66	1,23	710	62,0	67,0	69,5	0,38	0,50	0,59	1,26
0,55	0,75	690	65,0	70,0	73,0	0,49	0,62	0,70	1,64	705	65,0	70,0	73,0	0,42	0,55	0,64	1,64
0,75	1	705	73,9	76,1	75,1	0,44	0,57	0,64	2,37	715	71,1	74,8	75,5	0,38	0,50	0,59	2,34
1,1	1,5	700	74,9	76,8	77,7	0,45	0,58	0,66	3,26	710	71,1	76,0	77,7	0,38	0,50	0,59	3,34
1,5	2	700	79,0	79,5	79,7	0,49	0,63	0,71	4,03	710	77,9	79,7	79,9	0,42	0,56	0,65	4,02
2,2	3	705	81,5	81,9	81,9	0,57	0,68	0,76	5,37	715	81,0	82,0	82,2	0,48	0,62	0,70	5,32
3	4	710	83,4	83,5	83,5	0,56	0,68	0,75	7,28	720	81,5	83,2	83,7	0,48	0,61	0,70	7,12
4	5,5	725	85,6	86,8	86,1	0,51	0,64	0,70	10,1	735	84,4	86,6	86,8	0,44	0,58	0,66	9,71
5,5	7,5	720	86,7	87,3	87,2	0,56	0,68	0,76	12,6	730	85,2	87,0	87,8	0,49	0,62	0,71	12,3
7,5	10	728	87,0	88,0	88,3	0,50	0,63	0,71	18,2	732	86,0	88,0	88,5	0,44	0,56	0,65	18,1
9,2	12,5	720	88,5	89,0	89,0	0,67	0,78	0,82	19,2	730	88,6	89,3	90,0	0,60	0,73	0,78	18,2
11	15	725	88,5	89,0	89,5	0,59	0,71	0,77	24,3	731	89,0	89,5	90,0	0,52	0,65	0,74	23,0
15	20	730	89,4	89,5	89,6	0,60	0,71	0,76	33,5	730	89,4	90,1	90,2	0,53	0,65	0,72	32,1
18,5	25	730	89,8	90,1	90,1	0,67	0,78	0,83	37,6	735	89,8	90,3	90,3	0,60	0,73	0,80	35,6
22	30	730	90,3	90,6	90,6	0,65	0,76	0,81	45,5	735	90,3	90,8	90,8	0,57	0,70	0,77	43,8
30	40	725	91,0	91,3	91,3	0,70	0,80	0,85	58,7	730	91,0	91,5	91,5	0,63	0,75	0,85	53,7
37	50	740	91,5	91,8	91,8	0,64	0,73	0,79	77,5	741	91,5	92,0	92,0	0,58	0,69	0,75	74,6
45	60	740	91,9	92,2	92,2	0,67	0,76	0,80	92,7	740	91,9	92,4	92,4	0,60	0,71	0,78	86,9
55	75	740	92,2	92,5	92,5	0,69	0,77	0,81	112	740	92,2	92,7	92,7	0,62	0,73	0,79	104
75	100	740	92,8	93,1	93,1	0,69	0,77	0,81	151	740	92,8	93,3	93,3	0,62	0,73	0,79	142
90	125	740	93,1	93,4	93,4	0,69	0,77	0,81	181	743	93,1	93,6	93,6	0,61	0,72	0,78	171
110	150	740	93,4	93,7	93,7	0,68	0,77	0,81	220	740	93,4	93,9	93,9	0,61	0,72	0,78	209
132	175	740	93,7	94,0	94,0	0,68	0,77	0,81	263	740	93,7	94,2	94,2	0,61	0,72	0,78	250
150	200	744	93,8	94,2	94,2	0,66	0,76	0,80	302	745	93,8	94,2	94,2	0,58	0,70	0,76	291
160	220	743	94,0	94,3	94,3	0,68	0,78	0,81	318	745	93,5	94,5	94,5	0,61	0,73	0,77	306
185	250	744	93,6	94,6	94,6	0,67	0,76	0,80	371	745	93,2	94,8	94,8	0,60	0,70	0,76	357
200	270	745	94,3	94,6	94,6	0,69	0,79	0,82	392	745	94,3	94,8	94,8	0,61	0,73	0,78	376
220	300	743	94,8	95,1	95,2	0,65	0,75	0,79	444	745	94,8	95,1	95,2	0,58	0,73	0,75	429
250	340	743	95,0	95,2	95,2	0,67	0,77	0,81	493	745	94,6	95,2	95,3	0,58	0,70	0,77	474
260	350	745	95,0	95,2	95,2	0,67	0,77	0,81	512	745	94,6	95,2	95,3	0,58	0,70	0,77	493
280	380	745	94,5	95,2	95,3	0,65	0,75	0,80	558	745	94,0	95,0	95,3	0,57	0,68	0,75	545
Optional frames & high output designs																	
0,37	0,5	690	61,0	66,0	69,3	0,44	0,56	0,66	1,23	710	62,0	67,0	69,5	0,38	0,50	0,59	1,26
0,55	0,75	690	65,0	70,0	73,0	0,49	0,62	0,70	1,64	705	65,0	70,0	73,0	0,42	0,55	0,64	1,64
110	150	744	93,4	93,7	93,7	0,68	0,77	0,81	220	745	93,4	93,9	93,9	0,61	0,73	0,78	209
132	175	743	93,7	94,0	94,0	0,66	0,75	0,81	263	745	93,7	94,2	94,2	0,60	0,71	0,77	253



5.3 W22Xec - High Efficiency - IE2 ⁽¹⁾

Output		Frame	Full Load Torque (Nm)	Locked Rotor Current I/In	Locked Rotor Torque Tl/Tn	Break-down Torque Tb/Tn	Inertia J (kgm ²)	Allowable locked rotor time (s)		Weight (kg)	Sound dB(A)	400 V						Full load current In (A)	
								Hot	Cold			Efficiency			Power Factor				
												50	75	100	50	75	100		
11 pole - 3000 rpm - 50 Hz																			
0,12	0,16	63	0,410	4,8	3,0	2,9	0,0001	37	81	7,0	52,0	2790	53,0	60,0	60,7	0,53	0,66	0,75	0,380
0,18	0,25	63	0,610	5,1	2,5	2,7	0,0001	15	33	8,7	52,0	2830	57,0	62,0	64,0	0,57	0,70	0,79	0,514
0,25	0,33	63	0,860	4,4	2,2	2,2	0,0002	11	24	8,3	52,0	2780	58,0	63,0	65,0	0,57	0,70	0,80	0,694
0,37	0,5	71	1,25	5,8	2,5	2,6	0,0004	12	26	10,5	56,0	2830	68,0	70,0	71,0	0,60	0,75	0,84	0,895
0,55	0,75	71	1,86	5,3	2,3	2,3	0,0005	9	20	11,4	56,0	2820	70,0	72,0	74,1	0,68	0,82	0,88	1,22
0,75	1	80	2,53	6,5	2,7	2,7	0,0008	14	31	13,7	59,0	2830	76,0	78,5	79,5	0,65	0,78	0,85	1,60
1,1	1,5	80	3,72	6,0	2,8	2,7	0,0009	10	22	14,9	59,0	2825	78,0	79,5	79,6	0,60	0,74	0,83	2,40
1,5	2	90S	5,07	6,5	2,5	2,7	0,0021	7	15	19,5	62,0	2825	80,0	82,0	82,0	0,63	0,76	0,83	3,18
2,2	3	90L	7,38	7,0	3,2	3,2	0,0022	9	20	23,9	64,0	2850	83,0	83,6	83,6	0,60	0,75	0,82	4,63
3	4	100L	9,85	8,0	2,5	3,5	0,0064	7	15	31,9	67,0	2910	84,0	85,0	85,0	0,70	0,81	0,86	5,92
4	5,5	112M	13,2	7,0	2,3	2,8	0,0088	10	22	41,2	64,0	2895	86,0	86,0	86,0	0,73	0,83	0,88	7,63
5,5	7,5	132S	17,9	6,8	2,2	3,0	0,0197	17	37	60,7	67,0	2930	86,5	88,0	88,0	0,68	0,79	0,85	10,6
7,5	10	132S	24,5	7,0	2,2	2,9	0,0251	9	20	68,3	67,0	2920	88,0	88,5	88,5	0,72	0,82	0,87	14,1
9,2	12,5	132M	30,2	7,6	2,5	3,2	0,0234	7	15	63,1	67,0	2915	88,5	89,0	89,0	0,70	0,81	0,86	17,3
11	15	160M	35,7	7,5	2,5	3,3	0,0446	13	29	111	67,0	2945	90,0	90,6	90,5	0,71	0,82	0,86	20,4
15	20	160M	48,8	7,4	2,6	3,1	0,0517	9	20	118	67,0	2940	91,0	91,3	91,3	0,71	0,81	0,86	27,6
18,5	25	160L	60,0	8,5	2,9	3,6	0,0625	8	18	134	67,0	2945	91,3	92,0	92,0	0,70	0,80	0,86	33,7
22	30	180M	71,0	7,6	2,9	3,0	0,0975	9	20	167	67,0	2960	91,9	92,4	92,2	0,74	0,83	0,87	39,6
30	40	200L	96,7	6,8	2,7	2,7	0,1703	16	35	229	72,0	2965	92,5	93,0	92,9	0,75	0,83	0,87	53,6
37	50	200L	119	7,1	2,7	2,6	0,1950	11	24	250	72,0	2965	92,7	93,4	93,3	0,73	0,82	0,86	66,6
45	60	225S/M	145	7,0	2,2	2,8	0,2490	12	26	366	75,0	2960	93,3	93,6	93,6	0,79	0,86	0,89	78,0
55	75	250S/M	178	7,6	2,5	3,0	0,3736	14	31	502	75,0	2960	92,8	93,5	93,9	0,79	0,86	0,89	95,0
75	100	280S/M	241	7,0	2,0	2,8	0,8541	28	62	710	77,0	2975	93,4	94,3	94,3	0,79	0,86	0,88	130
90	125	280S/M	289	7,5	2,0	2,8	0,9386	25	55	745	77,0	2977	94,0	94,6	94,6	0,77	0,85	0,87	158
110	150	315S/M	353	7,5	2,0	3,0	1,67	24	53	1000	77,0	2980	94,3	94,9	94,9	0,77	0,85	0,87	192
132	175	315S/M	423	7,3	2,0	2,9	1,96	21	46	1050	77,0	2980	94,5	95,1	95,1	0,79	0,86	0,89	225
132	180	315S/M	423	7,3	2,0	2,9	1,96	21	46	1050	77,0	2980	94,5	95,1	95,1	0,80	0,87	0,90	223
150	200	315S/M	481	7,5	2,2	3,0	1,96	23	51	1150	77,0	2980	94,2	94,8	94,8	0,78	0,85	0,88	260
160	220	315S/M	513	7,5	2,2	2,9	2,24	23	51	1190	77,0	2980	94,8	95,3	95,3	0,80	0,87	0,89	272
185	250	315S/M	593	7,6	2,2	3,1	2,46	16	35	1250	77,0	2980	94,9	95,5	95,4	0,80	0,86	0,89	314
200	270	315L	641	7,5	2,3	2,7	2,68	21	46	1300	78,0	2980	95,0	95,5	95,4	0,82	0,88	0,90	336
220	300	315L	705	7,8	2,4	2,8	2,98	14	31	1350	78,0	2980	95,0	95,5	95,5	0,81	0,87	0,90	369
250	340	315L	802	7,8	2,4	2,8	3,42	17	37	1450	78,0	2980	95,1	95,6	95,5	0,84	0,89	0,91	415
280	380	315L	898	7,9	2,3	2,8	4,17	12	26	1600	78,0	2980	95,2	95,6	95,6	0,85	0,89	0,91	465
300	400	355M/L	960	8,0	2,5	2,6	5,60	23	51	1950	80,0	2985	95,2	95,6	95,6	0,87	0,91	0,92	492
315	430	355M/L ⁽²⁾	1008	8,0	2,5	2,8	5,60	23	51	2000	80,0	2985	95,2	95,6	95,6	0,87	0,91	0,92	517
355	480	355M/L ⁽²⁾	1136	8,4	2,2	2,8	6,01	14	31	2050	80,0	2985	95,3	95,6	95,6	0,87	0,90	0,91	589
400	550	355A/B ⁽²⁾	1280	8,5	2,4	2,8	6,76	31	68	2400	83,0	2985	95,6	95,7	95,7	0,85	0,89	0,91	663
450	610	355A/B ⁽²⁾	1442	7,5	2,8	2,7	7,40	31	68	2500	83,0	2982	95,0	95,5	95,7	0,85	0,90	0,91	746
Optional frames & high output designs																			
0,75	1	90S	2,51	6,5	2,7	2,8	0,0012	25	55	17,5	64,0	2850	77,0	79,0	79,0	0,61	0,73	0,80	1,71
1,1	1,5	90S	3,67	6,5	2,3	2,6	0,0014	12	26	19,0	64,0	2865	80,0	80,5	80,5	0,61	0,75	0,83	2,38
1,5	2	90L	4,98	6,7	2,4	2,8	0,0021	7	15	23,5	64,0	2880	80,0	82,0	82,0	0,63	0,76	0,83	3,18
2,2	3	100L	7,22	7,5	2,4	3,4	0,0043	15	33	31,0	67,0	2910	82,5	83,6	83,6	0,66	0,78	0,85	4,47
2,2	3	L100L	7,22	7,5	2,4	3,4	0,0043	15	33	31,0	67,0	2910	82,5	83,6	83,6	0,66	0,78	0,85	4,47
3	4	L100L	9,85	8,0	2,5	3,5	0,0064	7	15	35,5	67,0	2910	84,0	85,0	85,0	0,70	0,81	0,86	5,92
5,5	7,5	132M	17,9	6,8	2,2	3,0	0,0197	17	37	68,0	67,0	2930	86,5	88,0	88,0	0,68	0,79	0,85	10,6
7,5	10	132M	24,5	7,0	2,2	2,9	0,0251	9	20	58,2	67,0	2920	88,0	88,5	88,5	0,72	0,82	0,87	14,1
15	20	160L	48,8	7,4	2,6	3,1	0,0517	9	20	130	67,0	2940	91,0	91,3	91,3	0,71	0,81	0,86	27,6
22	30	180L	71,0	7,6	2,9	3,0	0,0975	9	20	164	67,0	2960	91,9	92,4	92,2	0,74	0,83	0,87	39,6
200	270	355M/L	640	7,6	1,9	2,7	3,99	22	48	1650	80,0	2985	94,8	95,5	95,5	0,83	0,88	0,90	336
220	300	355M/L	704	8,5	2,2	3,0	4,42	21	46	1740	80,0	2985	95,1	95,6	95,5	0,86	0,89	0,90	369
250	340	355M/L	800	7,9	1,9	2,7	4,85	20	44	1810	80,0	2985	95,2	95,6	95,6	0,86	0,89	0,91	415
280	380	355M/L	898	7,7	1,9	2,6	5,06	17	37	1870	80,0	2980	95,2	95,6	95,6	0,86	0,89	0,91	465

Notes:

- (1) Efficiency values are given according to IEC 60034-2-1. They are calculated according to indirect method, with stray load losses determined by measurement.
- (2) Fitted with air deflector in the drive end side.

Ex ec IIC T3 Gc / Ex tc IIIB T125°C Dc

Output		380 V								415 V							
		Rated speed (rpm)	% of full load						Full load current In (A)	Rated speed (rpm)	% of full load						Full load current In (A)
			Efficiency			Power Factor					Efficiency			Power Factor			
kW	HP	50	75	100	50	75	100	50	75	100	50	75	100	50	75	100	
II pole - 3000 rpm - 50 Hz																	
0,12	0,16	2765	54,7	60,6	60,7	0,57	0,71	0,79	0,380	2805	51,4	59,0	60,6	0,50	0,63	0,72	0,383
0,18	0,25	2810	58,0	63,0	64,0	0,61	0,75	0,83	0,515	2845	55,0	60,9	63,6	0,53	0,66	0,76	0,518
0,25	0,33	2750	60,3	64,1	65,0	0,63	0,76	0,84	0,696	2800	55,9	61,7	64,8	0,53	0,66	0,76	0,706
0,37	0,5	2805	69,0	70,1	70,3	0,66	0,79	0,87	0,900	2845	66,9	69,7	71,2	0,57	0,72	0,82	0,882
0,55	0,75	2770	70,8	71,9	74,1	0,73	0,85	0,91	1,24	2830	68,9	71,7	74,1	0,63	0,79	0,86	1,20
0,75	1	2805	80,5	81,3	79,6	0,70	0,81	0,87	1,65	2845	75,0	78,5	79,5	0,61	0,74	0,83	1,58
1,1	1,5	2800	78,9	79,2	79,6	0,66	0,79	0,85	2,47	2845	77,1	79,5	79,6	0,56	0,70	0,80	2,40
1,5	2	2795	80,5	81,6	81,6	0,68	0,79	0,85	3,29	2850	79,3	81,9	82,5	0,58	0,73	0,81	3,08
2,2	3	2835	83,7	83,5	83,2	0,69	0,80	0,85	4,73	2865	82,2	83,4	83,9	0,55	0,69	0,79	4,62
3	4	2905	84,9	85,0	85,0	0,76	0,85	0,88	6,09	2920	83,1	84,6	85,0	0,66	0,78	0,84	5,85
4	5,5	2875	86,6	86,0	85,8	0,78	0,87	0,90	7,87	2905	85,3	85,9	86,3	0,69	0,80	0,86	7,50
5,5	7,5	2915	87,1	87,6	87,6	0,74	0,83	0,88	10,8	2935	85,6	87,6	88,0	0,63	0,76	0,83	10,5
7,5	10	2910	88,4	88,4	88,1	0,77	0,85	0,89	14,5	2930	87,3	88,3	88,7	0,67	0,79	0,85	13,8
9,2	12,5	2905	89,1	89,0	89,0	0,75	0,85	0,89	17,6	2920	87,6	88,6	89,0	0,65	0,77	0,84	17,1
11	15	2935	90,3	90,5	90,1	0,75	0,85	0,88	21,1	2950	89,6	90,5	90,6	0,67	0,79	0,84	20,1
15	20	2930	91,4	91,3	90,9	0,76	0,84	0,88	28,5	2945	90,6	91,2	91,4	0,67	0,78	0,84	27,2
18,5	25	2935	91,6	91,9	91,6	0,74	0,83	0,88	34,9	2950	91,0	91,9	92,2	0,66	0,77	0,84	33,2
22	30	2950	92,2	92,2	91,8	0,78	0,85	0,88	41,4	2960	91,5	92,4	92,4	0,71	0,80	0,85	39,0
30	40	2955	92,7	92,9	92,6	0,79	0,85	0,88	55,9	2965	92,3	93,0	93,0	0,71	0,81	0,86	52,2
37	50	2960	93,0	93,3	93,0	0,76	0,84	0,87	69,5	2970	92,5	93,4	93,5	0,69	0,79	0,84	65,5
45	60	2955	93,4	93,5	93,2	0,83	0,88	0,90	81,5	2960	93,1	93,6	93,8	0,76	0,84	0,88	75,8
55	75	2950	92,8	93,4	93,5	0,83	0,88	0,90	99,3	2960	92,8	93,5	94,0	0,75	0,84	0,88	92,5
75	100	2970	93,6	94,3	94,1	0,82	0,88	0,89	136	2975	93,2	94,2	94,3	0,76	0,84	0,87	127
90	125	2975	94,2	94,6	94,4	0,81	0,86	0,88	165	2980	93,8	94,5	94,5	0,74	0,82	0,86	154
110	150	2977	94,5	94,9	94,8	0,81	0,87	0,88	200	2981	94,1	94,8	94,9	0,74	0,83	0,86	188
132	175	2975	94,6	95,1	94,9	0,82	0,88	0,90	235	2985	94,4	95,1	95,2	0,77	0,85	0,88	219
132	180	2975	94,6	95,1	94,9	0,83	0,89	0,91	232	2980	94,4	95,1	95,2	0,78	0,86	0,89	217
150	200	2980	94,2	94,8	94,8	0,80	0,87	0,89	270	2980	93,8	94,5	94,8	0,74	0,83	0,87	253
160	220	2975	94,9	95,2	95,2	0,83	0,88	0,90	284	2980	94,7	95,3	95,3	0,78	0,86	0,88	265
185	250	2975	95,0	95,5	95,3	0,83	0,88	0,90	328	2980	94,8	95,5	95,4	0,78	0,85	0,88	307
200	270	2975	95,0	95,4	95,2	0,85	0,89	0,91	351	2980	94,9	95,5	95,5	0,80	0,87	0,90	324
220	300	2975	95,1	95,4	95,3	0,84	0,88	0,91	385	2980	94,9	95,5	95,6	0,79	0,86	0,89	360
250	340	2980	95,1	95,5	95,3	0,86	0,90	0,91	438	2980	95,0	95,6	95,6	0,82	0,88	0,91	400
280	380	2975	95,2	95,5	95,4	0,87	0,90	0,91	490	2980	95,2	95,6	95,7	0,83	0,88	0,91	447
300	400	2980	94,2	95,5	95,4	0,89	0,92	0,92	519	2985	95,2	95,6	95,7	0,86	0,90	0,92	474
315	430	2980	94,2	95,5	95,4	0,89	0,91	0,92	545	2985	95,2	95,6	95,7	0,86	0,90	0,92	498
355	480	2980	95,3	95,5	95,4	0,89	0,91	0,91	621	2985	95,3	95,6	95,7	0,85	0,89	0,91	567
400	550	2985	95,5	95,7	95,7	0,87	0,90	0,91	698	2985	95,5	95,7	95,7	0,84	0,88	0,91	639
450	610	2979	95,0	95,5	95,7	0,87	0,91	0,91	785	2983	95,0	95,5	95,7	0,84	0,89	0,91	719
Optional frames & high output designs																	
0,75	1	2830	77,8	79,1	78,3	0,66	0,77	0,83	1,75	2860	76,0	78,7	79,2	0,56	0,70	0,78	1,69
1,1	1,5	2850	80,7	80,3	79,6	0,67	0,79	0,85	2,47	2880	79,2	80,4	81,0	0,57	0,71	0,80	2,36
1,5	2	2860	80,5	81,6	81,6	0,68	0,79	0,85	3,29	2890	79,3	81,9	82,5	0,58	0,73	0,81	3,12
2,2	3	2900	83,3	83,8	83,2	0,71	0,82	0,87	4,62	2920	81,5	83,2	83,6	0,62	0,75	0,82	4,46
2,2	3	2900	83,3	83,8	83,2	0,71	0,82	0,87	4,62	2920	81,5	83,2	83,6	0,62	0,75	0,82	4,46
3	4	2905	84,9	85,0	85,0	0,76	0,85	0,88	6,09	2920	83,1	84,6	85,0	0,66	0,78	0,84	5,85
5,5	7,5	2915	87,1	87,6	87,6	0,74	0,83	0,88	10,8	2935	85,6	87,6	88,0	0,63	0,76	0,83	10,5
7,5	10	2910	88,4	88,4	88,1	0,77	0,85	0,89	14,5	2930	87,3	88,3	88,7	0,67	0,79	0,85	13,8
15	20	2930	91,4	91,3	90,9	0,76	0,84	0,88	28,5	2945	90,6	91,2	91,4	0,67	0,78	0,84	27,2
22	30	2950	92,2	92,2	91,8	0,78	0,85	0,88	41,4	2960	91,5	92,4	92,4	0,71	0,80	0,85	39,0
200	270	2980	93,9	95,2	95,5	0,90	0,91	0,92	346	2985	93,5	95,1	95,6	0,88	0,90	0,91	320
220	300	2985	95,1	95,2	95,4	0,87	0,91	0,92	381	2990	95,1	95,3	95,6	0,83	0,89	0,91	352
250	340	2980	95,5	96,3	96,4	0,89	0,92	0,93	424	2985	95,4	96,3	96,4	0,86	0,91	0,92	392
280	380	2975	95,2	95,5	95,4	0,87	0,90	0,91	490	2980	95,2	95,6	95,7	0,83	0,88	0,91	447



W22Xec - High Efficiency - IE2 ⁽¹⁾

Output		Frame	Full Load Torque (Nm)	Locked Rotor Current I/In	Locked Rotor Torque Tl/Tn	Break-down Torque Tb/Tn	Inertia J (kgm ²)	Allowable locked rotor time (s)		Weight (kg)	Sound dB(A)	400 V						Full load current In (A)	
								Hot	Cold			% of full load			Power Factor				
												50	75	100	50	75	100		
1V pole - 1500 rpm - 50 Hz																			
0,12	0,16	63	0,830	3,9	1,8	2,0	0,0004	51	112	7,7	44,0	1380	55,0	58,0	59,1	0,54	0,67	0,77	0,381
0,18	0,25	63	1,22	4,4	2,0	2,2	0,0006	40	88	7,6	44,0	1410	58,5	61,0	64,7	0,48	0,61	0,70	0,574
0,25	0,33	71	1,69	4,5	2,0	2,2	0,0007	68	150	10,7	43,0	1410	59,0	65,0	68,5	0,49	0,62	0,71	0,742
0,37	0,5	71	2,55	4,3	2,2	2,2	0,0008	48	106	11,9	43,0	1385	63,0	68,0	72,7	0,50	0,62	0,72	1,02
0,55	0,75	80	3,65	5,8	2,1	2,6	0,0029	18	40	16,2	44,0	1440	73,0	76,0	77,1	0,55	0,68	0,75	1,37
0,75	1	80	5,08	6,0	2,5	2,6	0,0029	15	33	15,7	44,0	1410	79,0	79,5	79,6	0,63	0,76	0,81	1,68
1,1	1,5	90S	7,27	6,5	2,3	2,7	0,0049	14	31	20,4	49,0	1445	81,0	81,8	81,8	0,60	0,72	0,80	2,43
1,5	2	90L	9,92	7,0	2,7	2,8	0,0055	10	22	23,0	49,0	1445	81,5	83,0	83,0	0,57	0,71	0,80	3,26
2,2	3	100L	14,6	7,0	2,8	2,9	0,0105	11	24	34,6	53,0	1440	83,0	84,5	84,5	0,55	0,69	0,78	4,82
3	4	100L	20,2	7,0	3,2	3,0	0,0097	14	31	34,0	53,0	1420	85,0	85,6	85,6	0,60	0,73	0,81	6,25
4	5,5	112M	26,5	6,6	2,2	2,6	0,0156	13	29	42,5	56,0	1440	86,0	86,7	86,7	0,62	0,74	0,80	8,32
5,5	7,5	132S	35,9	7,8	1,9	3,0	0,0528	8	18	66,0	56,0	1465	86,5	87,3	87,7	0,68	0,80	0,86	10,5
7,5	10	132M	48,9	7,8	2,1	3,0	0,0528	6	13	72,6	56,0	1465	88,0	88,7	88,7	0,66	0,79	0,84	14,5
9,2	12,5	160M	60,0	6,0	2,0	2,6	0,0838	13	29	96,0	61,0	1465	88,5	89,5	89,3	0,66	0,77	0,83	17,9
11	15	160M	71,5	6,4	2,3	2,8	0,1048	10	22	119	61,0	1470	89,0	90,2	90,2	0,65	0,76	0,83	21,2
15	20	160L	97,8	6,2	2,3	2,8	0,1255	10	22	141	61,0	1465	90,6	91,0	91,0	0,66	0,76	0,83	28,7
18,5	25	180M	121	6,6	2,4	2,8	0,1657	14	31	164	61,0	1465	91,5	91,8	91,6	0,68	0,78	0,83	35,1
22	30	180L	143	6,8	2,6	2,9	0,2006	15	33	190	61,0	1470	92,2	92,5	92,3	0,70	0,80	0,85	40,5
30	40	200L	195	6,3	2,2	2,6	0,2929	16	35	222	65,0	1470	92,6	93,0	92,8	0,64	0,75	0,81	57,6
37	50	225S/M	240	7,0	2,2	2,7	0,4438	12	26	342	68,0	1475	93,0	93,2	93,2	0,72	0,81	0,85	67,4
45	60	225S/M	292	7,0	2,6	2,9	0,5177	10	22	363	68,0	1475	92,8	93,0	93,1	0,72	0,81	0,84	83,1
55	75	250S/M	356	6,4	2,2	2,7	0,8118	14	31	444	68,0	1475	93,6	93,9	94,0	0,75	0,84	0,87	97,1
75	100	280S/M	483	7,2	2,2	2,7	1,64	22	48	639	71,0	1485	93,8	94,4	94,4	0,74	0,82	0,84	137
90	125	280S/M	579	7,5	2,3	2,7	1,88	20	44	673	71,0	1484	94,1	94,7	94,7	0,76	0,83	0,85	161
110	150	315S/M	706	6,3	2,0	2,3	2,57	26	57	887	71,0	1489	94,3	95,0	95,0	0,74	0,83	0,86	194
132	175	315S/M	846	7,0	2,3	2,5	3,12	22	48	953	71,0	1490	94,6	95,2	95,2	0,76	0,84	0,87	230
132	180	315S/M	846	6,6	2,1	2,4	3,12	22	48	953	71,0	1490	94,6	95,2	95,2	0,76	0,84	0,87	230
150	200	315S/M	963	6,2	2,2	2,4	3,34	30	66	983	71,0	1488	95,0	95,4	95,4	0,77	0,84	0,87	261
160	220	315S/M	1027	7,0	2,4	2,5	3,56	20	44	1012	71,0	1489	94,8	95,4	95,4	0,74	0,83	0,86	281
185	250	315S/M	1187	7,0	2,6	2,6	3,99	18	40	1114	71,0	1489	94,9	95,6	95,6	0,75	0,83	0,86	325
200	270	315L	1283	7,0	2,7	2,7	4,43	17	37	1216	74,0	1490	95,0	95,6	95,6	0,74	0,82	0,86	351
220	300	315L	1411	7,3	2,6	2,4	4,89	14	31	1333	74,0	1490	95,2	95,7	95,7	0,76	0,84	0,87	381
250	340	315L	1603	7,0	2,6	2,4	5,44	13	29	1399	74,0	1490	95,3	95,7	95,7	0,77	0,85	0,88	428
260	350	355M/L	1667	6,8	2,1	2,4	7,73	18	40	1470	76,0	1490	95,4	95,8	95,8	0,73	0,82	0,85	461
280	380	315L	1796	7,2	2,6	2,4	6,20	12	26	1496	74,0	1490	95,4	95,8	95,8	0,76	0,84	0,87	485
300	400	355M/L	1925	6,8	2,1	2,4	8,59	18	40	1510	76,0	1489	95,5	95,8	95,8	0,74	0,82	0,85	532
315	430	355M/L	2020	7,2	2,5	2,8	8,95	14	31	1643	76,0	1490	95,5	95,8	95,8	0,72	0,81	0,84	565
330	450	355M/L	2115	6,8	2,6	2,5	9,84	17	37	1769	76,0	1491	95,5	95,8	95,8	0,73	0,81	0,84	592
355	480	355M/L ⁽²⁾	2277	6,9	2,4	2,3	10,7	15	33	1752	76,0	1490	95,5	95,9	95,8	0,75	0,83	0,86	622
370	500	355M/L ⁽²⁾	2373	7,0	2,4	2,4	11,6	15	33	1971	76,0	1490	95,5	95,9	95,8	0,75	0,83	0,86	648
400	550	355M/L ⁽²⁾	2562	7,8	2,9	2,9	11,6	11	24	1888	76,0	1492	95,5	95,9	95,8	0,74	0,82	0,85	709
450	610	355A/B ⁽²⁾	2886	7,4	2,5	2,8	13,2	20	44	2089	76,0	1490	94,5	95,0	95,5	0,69	0,80	0,84	810
Optional frames & high output designs																			
0,25	0,33	80	1,67	5,5	2,0	2,5	0,0015	31	68	9,0	44,0	1430	70,0	73,3	73,4	0,59	0,71	0,80	0,615
0,37	0,5	80	2,49	5,7	2,2	2,7	0,0019	23	51	9,5	44,0	1420	73,0	75,5	75,5	0,60	0,73	0,81	0,873
0,75	1	90S	4,96	6,2	2,2	2,6	0,0038	19	42	18,0	49,0	1445	78,0	80,0	80,0	0,59	0,70	0,78	1,73
1,1	1,5	90L	7,22	6,3	2,1	2,7	0,0060	9	20	23,0	49,0	1455	80,0	81,8	81,8	0,51	0,66	0,76	2,55
1,5	2	100L	10,1	6,6	2,8	3,0	0,0067	20	44	28,0	53,0	1425	82,5	83,2	83,2	0,62	0,74	0,81	3,21
2,2	3	112M	14,4	7,4	1,9	3,0	0,0117	23	51	39,0	56,0	1460	84,5	85,0	85,0	0,57	0,70	0,78	4,79
4	5,5	132M	25,9	8,0	2,0	3,4	0,0341	14	31	60,0	56,0	1475	86,5	87,0	87,2	0,58	0,72	0,80	8,28
4	5,5	132S	25,9	8,0	2,0	3,4	0,0341	14	31	60,0	56,0	1475	86,5	87,0	87,2	0,58	0,72	0,80	8,28
5,5	7,5	132M	35,9	7,8	1,9	3,0	0,0528	8	18	67,0	56,0	1465	86,5	87,3	87,7	0,68	0,80	0,86	10,5
7,5	10	160M	48,9	6,1	2,1	2,7	0,0769	15	33	93,0	61,0	1465	88,0	89,2	89,0	0,65	0,77	0,83	14,7
9,2	12,5	132M	60,4	7,7	2,2	3,2	0,0604	7	15	75,0	56,0	1455	89,2	89,5	89,5	0,69	0,80	0,85	17,3
11	15	160L	71,5	6,4	2,3	2,8	0,1048	10	22	105	61,0	1470	89,0	90,2	90,2	0,65	0,76	0,83	21,2
15	20	180M	97,8	7,1	2,6	2,9	0,1401	14	31	152	61,0	1465	90,8	91,5	91,3	0,66	0,77	0,83	28,6
18,5	25	180L	121	6,6	2,4	2,8	0,1657	14	31	164	61,0	1465	91,5	91,8	91,6	0,68	0,78	0,83	35,1
90	125	315S/M	577	6,4	2,1	2,4	2,23	25	55	795	71,0	1490	94,2	94,8	94,8	0,73	0,82	0,85	161
110	150	280S/M	708	7,6	2,4	2,6	2,27	18	40	735	71,0	1485	94,3	95,0	95,0	0,75	0,83	0,86	194
200	270	355M/L	1283	6,3	1,8	2,0	5,94	18	40	1404	76,0	1490	95,1	95,6	95,6	0,74	0,81	0,85	355
220	300	355M/L	1411	6,4	2,0	2,2	6,48	18	40	1441	76,0	1490	95,3	95,7	95,7	0,73	0,81	0,85	390
250	340	355M/L	1603	6,8	2,1	2,4	7,19	18	40	1470	76,0	1490	95,4	95,8	95,8	0,73	0,82	0,85	443
280	380	355M/L	1796	6,6	2,1	2,4	8,05	14	31	1510	76,0	1490	95,5	95,8	95,8	0,74	0,82	0,85	496
400	550	355A/B ⁽²⁾	2565	7,6	2,6	2,9	13,2	20	44	2089	76,0	1490	94,5	95,0	95,5	0,68	0,79	0,84	720

Notes:

- (1) Efficiency values are given according to IEC 60034-2-1. They are calculated according to indirect method, with stray load losses determined by measurement.
- (2) Fitted with air deflector in the drive end side.

Ex ec IIC T3 Gc / Ex tc IIIB T125°C Dc

Output		380 V									415 V								
		Rated speed (rpm)	% of full load						Full load current In (A)	Rated speed (rpm)	% of full load						Full load current In (A)		
			Efficiency			Power Factor					Efficiency			Power Factor					
kW	HP	50	75	100	50	75	100	50	75	100	50	75	100	50	75	100			
IV pole - 1500 rpm - 50 Hz																			
0,12	0,16	1360	56,8	58,7	59,1	0,58	0,71	0,80	0,386	1390	53,2	57,1	59,1	0,51	0,64	0,74	0,382		
0,18	0,25	1400	60,4	61,3	64,7	0,52	0,65	0,74	0,571	1415	57,7	60,6	64,7	0,48	0,58	0,68	0,569		
0,25	0,33	1400	60,0	65,0	68,5	0,53	0,66	0,74	0,749	1420	57,8	64,5	68,5	0,46	0,59	0,69	0,736		
0,37	0,5	1370	66,0	68,5	72,7	0,55	0,66	0,76	1,02	1400	63,0	68,0	72,7	0,46	0,58	0,69	1,03		
0,55	0,75	1430	75,0	76,5	77,1	0,60	0,72	0,78	1,39	1445	71,0	75,5	77,1	0,51	0,60	0,70	1,42		
0,75	1	1395	79,0	79,5	79,6	0,68	0,80	0,84	1,70	1415	77,9	79,2	79,9	0,60	0,73	0,79	1,65		
1,1	1,5	1435	81,9	81,8	81,5	0,65	0,76	0,82	2,50	1450	80,1	81,5	82,1	0,57	0,70	0,78	2,39		
1,5	2	1435	82,8	83,2	82,8	0,63	0,77	0,83	3,32	1450	80,1	82,3	83,1	0,53	0,68	0,78	3,22		
2,2	3	1430	83,5	84,3	84,3	0,59	0,73	0,81	4,90	1445	82,3	84,5	84,7	0,52	0,66	0,75	4,82		
3	4	1410	85,4	85,5	85,5	0,65	0,77	0,83	6,42	1430	84,3	85,5	86,0	0,56	0,70	0,78	6,22		
4	5,5	1430	86,5	86,6	86,6	0,67	0,78	0,82	8,56	1445	85,3	86,6	87,0	0,58	0,71	0,78	8,20		
5,5	7,5	1460	88,1	87,7	87,7	0,73	0,83	0,88	10,8	1470	86,5	87,3	87,7	0,65	0,77	0,84	10,4		
7,5	10	1460	88,4	88,7	88,7	0,73	0,83	0,87	14,8	1465	87,7	89,0	89,0	0,61	0,75	0,81	14,5		
9,2	12,5	1460	89,0	89,5	89,3	0,70	0,80	0,85	18,5	1470	88,0	89,4	89,3	0,62	0,74	0,81	17,7		
11	15	1465	89,5	90,2	89,8	0,69	0,79	0,85	21,9	1470	88,5	90,0	90,3	0,61	0,73	0,81	20,9		
15	20	1460	91,0	90,9	90,6	0,70	0,79	0,85	29,6	1470	90,2	90,9	91,2	0,63	0,73	0,81	28,2		
18,5	25	1460	91,8	91,7	91,2	0,72	0,81	0,85	36,3	1470	91,1	91,7	91,7	0,60	0,75	0,81	34,7		
22	30	1465	92,5	92,4	91,9	0,74	0,83	0,87	41,8	1470	91,8	92,4	92,4	0,66	0,77	0,83	39,9		
30	40	1465	92,9	92,9	92,4	0,68	0,78	0,83	59,4	1470	92,3	92,9	92,9	0,61	0,73	0,79	56,9		
37	50	1470	93,2	93,1	92,8	0,76	0,84	0,86	70,4	1475	92,7	93,1	93,3	0,69	0,80	0,84	65,7		
45	60	1470	92,8	93,0	93,1	0,76	0,84	0,86	85,4	1480	92,8	93,0	93,1	0,68	0,79	0,82	82,0		
55	75	1470	93,8	93,8	93,7	0,79	0,86	0,88	101	1475	93,3	93,9	94,1	0,72	0,82	0,86	94,6		
75	100	1480	93,8	94,0	94,2	0,78	0,84	0,86	141	1485	93,5	94,3	94,4	0,71	0,80	0,83	133		
90	125	1482	94,4	94,7	94,5	0,79	0,85	0,86	168	1486	93,8	94,6	94,7	0,73	0,81	0,84	157		
110	150	1487	94,6	94,9	94,9	0,78	0,85	0,86	205	1490	93,9	94,8	95,0	0,70	0,81	0,84	192		
132	175	1488	94,8	95,2	95,0	0,79	0,86	0,88	240	1491	94,4	95,1	95,2	0,73	0,82	0,86	224		
132	180	1485	94,8	95,2	95,0	0,79	0,86	0,88	240	1490	94,4	95,1	95,2	0,73	0,82	0,86	224		
150	200	1486	95,2	95,4	95,2	0,80	0,85	0,88	272	1489	94,8	95,4	95,4	0,75	0,83	0,86	254		
160	220	1488	95,0	95,4	95,2	0,78	0,85	0,87	294	1490	94,6	95,3	95,4	0,71	0,81	0,85	275		
185	250	1488	95,1	95,6	95,5	0,79	0,85	0,87	338	1490	94,7	95,5	95,6	0,72	0,81	0,85	317		
200	270	1488	95,1	95,5	95,4	0,78	0,85	0,87	366	1491	94,8	95,6	95,7	0,70	0,80	0,85	342		
220	300	1488	95,4	95,7	95,6	0,80	0,86	0,88	397	1490	95,0	95,6	95,7	0,73	0,82	0,86	372		
250	340	1490	95,5	95,9	95,8	0,80	0,87	0,89	445	1490	95,1	95,8	95,9	0,74	0,83	0,87	417		
260	350	1490	95,6	95,7	95,7	0,77	0,84	0,86	480	1490	94,2	95,7	95,8	0,70	0,80	0,84	449		
280	380	1490	95,6	95,8	95,8	0,79	0,86	0,88	505	1490	95,2	95,7	95,8	0,73	0,82	0,86	473		
300	400	1487	95,6	95,6	95,7	0,78	0,84	0,88	541	1490	95,3	95,7	95,8	0,71	0,80	0,84	519		
315	430	1490	95,6	95,7	95,7	0,75	0,81	0,86	582	1490	95,3	95,7	95,8	0,69	0,79	0,83	551		
330	450	1489	95,5	95,7	95,7	0,72	0,77	0,83	631	1492	95,3	95,7	95,8	0,70	0,79	0,83	577		
355	480	1490	95,6	95,7	95,7	0,78	0,85	0,87	648	1490	95,4	95,8	95,8	0,72	0,81	0,85	607		
370	500	1490	95,1	95,5	95,7	0,78	0,85	0,87	675	1490	95,0	95,7	95,9	0,72	0,81	0,85	631		
400	550	1491	95,7	95,8	95,8	0,77	0,84	0,86	738	1493	95,3	95,8	95,8	0,71	0,80	0,84	692		
450	610	1490	95,8	95,9	95,9	0,73	0,83	0,86	829	1490	94,5	95,0	95,5	0,65	0,77	0,82	799		
Optional frames & high output designs																			
0,25	0,33	1420	71,0	74,0	73,2	0,62	0,74	0,82	0,633	1435	69,1	73,3	73,4	0,57	0,69	0,78	0,607		
0,37	0,5	1410	74,1	75,6	74,8	0,65	0,77	0,84	0,895	1425	71,7	75,1	75,8	0,57	0,70	0,79	0,860		
0,75	1	1440	79,1	79,9	79,6	0,62	0,73	0,81	1,77	1450	76,9	79,6	80,4	0,55	0,67	0,75	1,73		
1,1	1,5	1450	80,9	81,5	81,5	0,56	0,70	0,79	2,60	1460	79,2	81,5	81,8	0,48	0,62	0,73	2,56		
1,5	2	1415	82,5	82,8	82,8	0,66	0,77	0,83	3,34	1430	81,9	83,2	83,7	0,58	0,71	0,79	3,16		
2,2	3	1455	85,0	84,8	84,3	0,62	0,75	0,81	4,90	1465	83,9	84,9	85,4	0,54	0,67	0,76	4,72		
4	5,5	1470	86,0	86,5	86,6	0,63	0,76	0,83	8,46	1475	86,4	87,1	87,4	0,54	0,68	0,78	8,16		
4	5,5	1470	86,0	86,5	86,6	0,63	0,76	0,83	8,46	1475	86,4	87,1	87,4	0,54	0,68	0,78	8,16		
5,5	7,5	1460	88,1	87,7	87,7	0,73	0,83	0,88	10,8	1470	86,5	87,3	87,7	0,65	0,77	0,84	10,4		
7,5	10	1460	88,5	89,1	88,7	0,69	0,80	0,85	15,1	1470	87,5	89,0	89,1	0,61	0,74	0,81	14,5		
9,2	12,5	1450	89,6	89,4	89,3	0,74	0,82	0,87	17,8	1455	88,7	89,5	89,8	0,65	0,77	0,84	16,8		
11	15	1465	89,5	90,2	89,8	0,69	0,79	0,85	21,9	1470	88,5	90,0	90,3	0,61	0,73	0,81	20,9		
15	20	1460	91,3	91,5	91,0	0,71	0,80	0,85	29,5	1470	90,4	91,4	91,4	0,63	0,74	0,81	28,2		
18,5	25	1460	91,8	91,7	91,2	0,72	0,81	0,85	36,3	1470	91,1	91,7	91,7	0,60	0,75	0,81	34,7		
90	125	1490	94,2	94,8	94,8	0,75	0,84	0,86	168	1490	93,9	94,7	94,8	0,71	0,81	0,84	157		
110	150	1480	94,6	95,1	94,9	0,79	0,85	0,87	202	1485	94,0	94,9	95,0	0,72	0,81	0,85	190		
200	270	1490	95,3	95,5	95,5	0,78	0,83	0,86	370	1490	94,9	95,5	95,6	0,71	0,79	0,84	346		
220	300	1490	95,5	95,6	95,6	0,77	0,83	0,86	407	1490	95,0	95,6	95,7	0,70	0,79	0,84	381		
250	340	1490	95,6	95,7	95,7	0,77	0,84	0,86	462	1490	94,2	95,7	95,8	0,70	0,80	0,84	432		
280	380	1490	95,6	95,7	95,7	0,77	0,84	0,86	517	1490	95,3	95,7	95,8	0,71	0,80	0,84	484		
400	550	1490	94,1	94,6	95,1	0,72	0,82	0,86	743	1490	94,1	94,6	95,1	0,65	0,76	0,82	714		

W22Xec - High Efficiency - IE2 ⁽¹⁾

Output		Frame	Full Load Torque (Nm)	Locked Rotor Current I/In	Locked Rotor Torque Tl/Tn	Break-down Torque Tb/Tn	Inertia J (kgm ²)	Allowable locked rotor time (s)		Weight (kg)	Sound dB(A)	400 V						Full load current In (A)	
								Hot	Cold			% of full load			Power Factor				
												50	75	100	50	75	100		
VI pole - 1000 rpm - 50 Hz																			
0,12	0,16	63	1,27	3,0	1,9	2,0	0,0006	52	114	7,4	43,0	905	42,0	50,0	52,0	0,43	0,53	0,63	0,529
0,18	0,25	71	1,88	3,2	2,0	2,0	0,0008	96	211	10,5	43,0	915	52,0	58,0	59,0	0,40	0,51	0,58	0,759
0,25	0,33	71	2,68	3,0	1,9	2,1	0,0008	70	154	12,5	43,0	890	53,0	60,0	61,6	0,37	0,48	0,58	1,01
0,37	0,5	80	3,84	4,1	2,0	2,0	0,0022	27	59	14,0	43,0	920	65,0	67,0	67,6	0,47	0,62	0,72	1,10
0,55	0,75	80	5,71	4,5	2,3	2,2	0,0030	21	46	14,0	43,0	920	65,0	71,0	73,1	0,50	0,62	0,72	1,51
0,75	1	90S	7,71	4,5	2,0	2,1	0,0055	23	51	19,0	45,0	930	74,5	76,0	76,0	0,51	0,64	0,73	1,95
1,1	1,5	90L	11,2	5,0	2,3	2,2	0,0066	17	37	23,0	45,0	935	76,0	78,1	78,1	0,50	0,63	0,73	2,78
1,5	2	100L	15,3	5,0	2,2	2,4	0,0110	23	51	28,5	44,0	940	79,5	80,0	80,0	0,51	0,64	0,73	3,71
2,2	3	112M	22,0	6,0	2,5	2,6	0,0257	19	42	46,0	49,0	955	81,0	82,5	83,0	0,50	0,63	0,71	5,39
3	4	132S	29,7	5,7	2,0	2,4	0,0359	23	51	60,0	53,0	965	82,5	83,6	83,6	0,50	0,63	0,71	7,30
4	5,5	132M	39,6	6,0	2,0	2,3	0,0453	21	46	68,0	53,0	965	84,0	84,8	84,8	0,51	0,64	0,72	9,46
5,5	7,5	132M	54,5	6,4	2,5	2,8	0,0604	19	42	75,0	53,0	965	85,5	86,1	86,1	0,51	0,64	0,72	12,8
7,5	10	160M	73,9	5,8	2,0	2,6	0,1229	17	37	113	57,0	970	88,3	88,7	88,3	0,64	0,76	0,82	15,0
9,2	12,5	160L	90,6	6,0	2,2	2,6	0,1492	14	31	127	57,0	970	88,5	88,9	88,6	0,64	0,76	0,82	18,3
11	15	160L	108	6,0	2,3	2,7	0,1664	13	29	136	57,0	970	89,0	89,5	89,2	0,62	0,74	0,81	22,0
15	20	180L	147	7,5	2,5	3,0	0,2565	7	15	174	56,0	975	90,3	90,5	90,3	0,69	0,79	0,84	28,5
18,5	25	200L	181	5,7	2,1	2,5	0,3517	15	33	214	60,0	975	91,0	91,4	91,2	0,67	0,77	0,82	35,7
22	30	200L	216	6,0	2,2	2,7	0,4037	14	31	225	60,0	975	91,4	91,7	91,5	0,65	0,76	0,82	42,3
30	40	225S/M	291	7,0	2,3	2,5	0,7192	12	26	359	63,0	984	92,6	92,7	92,6	0,69	0,79	0,84	55,7
37	50	250S/M	361	6,7	2,2	2,5	1,10	16	35	438	64,0	980	92,8	93,0	93,0	0,73	0,82	0,86	66,8
45	60	280S/M	436	6,2	2,0	2,5	2,02	26	57	596	65,0	987	93,4	93,6	93,4	0,65	0,76	0,81	85,9
55	75	280S/M	532	6,5	2,0	2,4	2,36	22	48	629	65,0	987	93,6	93,9	93,8	0,68	0,79	0,82	103
75	100	315S/M	724	6,2	1,9	2,2	3,83	23	51	837	67,0	990	94,0	94,3	94,2	0,69	0,79	0,83	138
90	125	315S/M	869	6,0	1,9	2,1	4,54	22	48	893	67,0	990	94,4	94,6	94,5	0,72	0,80	0,84	164
110	150	315S/M	1062	6,1	2,0	2,2	5,45	20	44	966	67,0	990	94,5	94,9	94,8	0,72	0,80	0,84	199
132	175	315S/M	1274	6,4	2,2	2,4	6,35	17	37	1036	67,0	990	94,6	95,0	95,0	0,71	0,80	0,84	239
150	200	355M/L	1440	5,6	1,8	2,0	7,41	38	84	1340	73,0	995	94,2	94,5	95,0	0,64	0,74	0,79	290
160	220	315L	1544	6,6	2,2	2,4	7,61	14	31	1228	68,0	990	94,8	95,2	95,2	0,70	0,80	0,84	289
185	250	315L	1786	6,9	2,3	2,4	8,86	12	26	1358	68,0	990	95,0	95,4	95,4	0,69	0,79	0,83	337
200	270	315L	1926	7,7	2,7	3,0	10,1	12	26	1488	68,0	992	95,1	95,4	95,4	0,65	0,77	0,82	369
220	300	315L	2123	6,8	2,3	2,3	11,0	14	31	1621	68,0	990	95,2	95,5	95,5	0,69	0,79	0,83	401
250	340	355M/L	2413	6,0	2,0	2,2	13,9	34	75	1789	73,0	990	95,3	95,5	95,5	0,66	0,76	0,81	466
260	350	355M/L	2504	6,0	1,8	2,0	12,7	34	75	1789	73,0	992	95,3	95,5	95,5	0,66	0,76	0,81	485
280	380	355M/L	2702	6,2	2,2	2,2	13,9	27	59	1884	73,0	990	95,4	95,6	95,6	0,64	0,75	0,80	528
300	400	355M/L	2887	6,2	2,2	2,2	14,3	30	66	1900	73,0	993	95,4	95,7	95,6	0,63	0,74	0,79	573
315	430	355M/L ⁽²⁾	3034	6,2	2,1	2,2	15,0	28	62	1979	73,0	992	95,4	95,7	95,6	0,66	0,76	0,81	587
355	480	355A/B ⁽²⁾	3416	6,8	2,3	2,5	17,1	29	64	2200	73,0	993	95,2	95,5	95,6	0,63	0,74	0,79	678
Optional frames & high output designs																			
0,25	0,33	80	2,62	3,9	1,8	2,0	0,0022	27	59	10,5	43,0	910	63,0	67,0	67,0	0,51	0,66	0,76	0,709
3	4	132M	29,7	5,7	2,0	2,4	0,0359	23	51	60,0	53,0	965	82,5	83,6	83,6	0,50	0,63	0,71	7,30
5,5	7,5	160M	54,2	6,0	2,1	2,6	0,1053	19	42	106	57,0	970	87,5	88,0	87,5	0,63	0,75	0,81	11,2
160	220	355M/L	1540	5,9	1,8	2,2	8,34	34	75	1453	73,0	993	94,9	95,3	95,3	0,65	0,75	0,80	303
185	250	355M/L	1786	5,7	1,9	2,0	9,24	32	70	1521	73,0	990	95,1	95,4	95,4	0,65	0,75	0,80	350
200	270	355M/L	1924	5,5	1,9	2,1	10,9	28	62	1643	73,0	993	95,1	95,5	95,5	0,64	0,75	0,80	378
220	300	355M/L	2123	6,0	2,0	2,3	11,8	32	70	1795	73,0	990	95,3	95,5	95,5	0,65	0,75	0,80	416

Notes:

- (1) Efficiency values are given according to IEC 60034-2-1. They are calculated according to indirect method, with stray load losses determined by measurement.
- (2) Fitted with air deflector in the drive end side.

Ex ec IIC T3 Gc / Ex tc IIIB T125°C Dc

Output		380 V								415 V							
		Rated speed (rpm)	% of full load						Full load current In (A)	Rated speed (rpm)	% of full load						Full load current In (A)
			Efficiency			Power Factor					Efficiency			Power Factor			
kW	HP	50	75	100	50	75	100		50	75	100	50	75	100			
VI pole - 1000 rpm - 50 Hz																	
0,12	0,16	895	45,4	52,1	52,9	0,46	0,57	0,67	0,514	910	39,1	47,5	50,7	0,41	0,50	0,59	0,558
0,18	0,25	905	54,2	59,0	58,7	0,37	0,50	0,57	0,817	920	50,1	56,8	58,6	0,38	0,48	0,57	0,750
0,25	0,33	875	56,3	60,0	61,6	0,41	0,52	0,62	0,995	900	50,1	60,0	61,6	0,35	0,45	0,54	1,05
0,37	0,5	910	64,0	67,0	67,6	0,52	0,66	0,76	1,09	930	62,0	67,0	67,6	0,44	0,58	0,69	1,10
0,55	0,75	905	67,5	71,8	73,1	0,55	0,66	0,76	1,50	930	62,5	69,6	73,1	0,47	0,60	0,70	1,50
0,75	1	920	75,8	75,9	75,9	0,55	0,68	0,76	1,98	935	73,2	75,6	76,4	0,48	0,61	0,71	1,92
1,1	1,5	920	77,9	78,1	78,1	0,55	0,67	0,77	2,78	940	74,3	77,3	78,1	0,46	0,59	0,70	2,80
1,5	2	930	80,7	80,1	79,8	0,55	0,69	0,76	3,76	945	78,3	79,7	80,3	0,48	0,61	0,70	3,71
2,2	3	945	82,0	82,4	82,8	0,54	0,67	0,74	5,46	960	80,0	82,1	83,0	0,47	0,60	0,69	5,34
3	4	960	83,4	83,8	83,3	0,54	0,67	0,74	7,39	970	81,4	83,1	83,6	0,46	0,59	0,68	7,34
4	5,5	960	84,9	85,0	84,6	0,55	0,68	0,74	9,71	970	83,0	84,4	84,9	0,47	0,61	0,69	9,50
5,5	7,5	960	86,4	86,3	86,0	0,56	0,68	0,75	13,0	970	84,6	85,7	86,2	0,47	0,61	0,69	12,9
7,5	10	965	88,7	88,6	87,7	0,68	0,79	0,84	15,5	970	87,8	88,6	88,5	0,61	0,73	0,80	14,7
9,2	12,5	965	88,9	88,8	88,1	0,68	0,79	0,84	18,9	970	88,0	88,8	88,8	0,61	0,73	0,80	18,0
11	15	965	89,6	89,5	88,8	0,66	0,77	0,83	22,7	970	88,4	89,3	89,3	0,59	0,71	0,79	21,7
15	20	970	90,6	90,4	89,7	0,70	0,80	0,85	29,9	978	89,9	90,5	90,6	0,65	0,77	0,83	27,8
18,5	25	970	91,5	91,4	90,8	0,71	0,80	0,84	36,9	975	90,5	91,2	91,3	0,63	0,74	0,80	35,2
22	30	970	92,0	91,8	91,2	0,70	0,79	0,84	43,6	975	90,8	91,5	91,6	0,61	0,73	0,80	41,8
30	40	981	92,8	92,5	92,1	0,73	0,81	0,85	58,2	985	92,2	92,6	92,7	0,66	0,77	0,82	54,9
37	50	980	92,4	92,6	92,6	0,77	0,84	0,87	69,8	980	92,7	93,2	93,2	0,70	0,80	0,85	65,0
45	60	986	93,7	93,6	93,1	0,69	0,79	0,82	89,6	988	93,1	93,5	93,5	0,62	0,74	0,79	84,8
55	75	985	93,8	93,8	93,5	0,72	0,82	0,84	106	988	93,3	93,6	93,9	0,65	0,77	0,81	101
75	100	990	94,3	94,3	94,0	0,73	0,82	0,84	144	990	93,7	94,2	94,2	0,66	0,77	0,81	137
90	125	990	94,6	94,5	94,2	0,76	0,82	0,85	171	990	94,2	94,5	94,6	0,69	0,78	0,83	159
110	150	990	94,7	94,9	94,5	0,76	0,82	0,85	208	990	94,2	94,8	94,9	0,69	0,78	0,83	194
132	175	990	94,9	95,0	94,8	0,75	0,83	0,85	249	990	94,3	94,9	95,0	0,68	0,78	0,83	233
150	200	990	94,5	94,8	94,8	0,69	0,77	0,82	293	995	93,8	94,4	95,0	0,61	0,71	0,76	291
160	220	990	95,0	95,2	95,0	0,74	0,82	0,85	301	990	94,5	95,1	95,2	0,67	0,78	0,83	282
185	250	990	95,2	95,4	95,2	0,73	0,82	0,84	351	990	94,7	95,3	95,4	0,66	0,77	0,81	333
200	270	991	95,3	95,4	95,2	0,69	0,80	0,84	380	993	94,8	95,3	95,4	0,62	0,74	0,80	365
220	300	985	95,3	95,4	95,2	0,73	0,81	0,84	418	990	95,0	95,5	95,6	0,66	0,77	0,82	390
250	340	990	95,5	95,5	95,4	0,70	0,79	0,83	480	990	95,1	95,4	95,5	0,62	0,73	0,79	461
260	350	990	95,5	95,5	95,4	0,70	0,79	0,83	499	993	95,1	95,4	95,5	0,62	0,73	0,79	479
280	380	990	95,6	95,6	95,5	0,68	0,78	0,82	543	990	95,2	95,5	95,6	0,61	0,72	0,78	522
300	400	993	95,7	95,7	95,5	0,65	0,75	0,80	597	994	95,2	95,6	95,6	0,60	0,70	0,77	567
315	430	991	95,6	95,7	95,5	0,70	0,79	0,83	604	993	95,2	95,6	95,6	0,62	0,73	0,79	580
355	480	992	95,2	95,4	95,5	0,67	0,76	0,80	706	994	94,7	95,3	95,4	0,62	0,73	0,79	655
Optional frames & high output designs																	
0,25	0,33	895	65,2	67,7	66,0	0,56	0,70	0,80	0,719	915	60,5	65,9	67,1	0,48	0,62	0,73	0,710
3	4	960	83,4	83,8	83,3	0,54	0,67	0,74	7,39	970	81,4	83,1	83,6	0,46	0,59	0,68	7,34
5,5	7,5	965	87,9	87,9	86,9	0,67	0,78	0,83	11,6	970	87,0	87,9	87,8	0,60	0,73	0,79	11,0
160	220	992	94,5	95,4	95,4	0,70	0,80	0,82	311	993	93,9	95,5	95,5	0,60	0,74	0,80	291
185	250	990	94,4	95,3	95,3	0,70	0,79	0,82	360	990	94,0	95,4	95,4	0,60	0,71	0,78	346
200	270	992	95,0	95,6	95,7	0,70	0,79	0,82	387	993	94,4	95,4	95,7	0,62	0,73	0,79	368
220	300	990	94,2	95,4	95,7	0,72	0,80	0,82	426	995	93,4	95,0	95,8	0,62	0,74	0,79	404



W22Xec - High Efficiency - IE2 ⁽¹⁾

Output		Frame	Full Load Torque (Nm)	Locked Rotor Current I/In	Locked Rotor Torque Tl/Tn	Break-down Torque Tb/Tn	Inertia J (kgm ²)	Allowable locked rotor time (s)		Weight (kg)	Sound dB(A)	400 V						Full load current In (A)	
								Rated speed (rpm)	% of full load			Power Factor							
									Efficiency			100	50		75		100		
kW	HP	50	75	100	50	75	100												
VIII pole - 750 rpm - 50 Hz																			
0,12	0,16	71	1,74	2,2	1,6	1,9	0,0008	172	378	10,0	41,0	660	40,0	48,0	50,0	0,33	0,41	0,50	0,693
0,18	0,25	80	2,49	3,1	1,9	2,0	0,0024	48	106	13,0	42,0	690	47,0	53,0	55,0	0,44	0,55	0,65	0,727
0,25	0,33	80	3,51	3,2	2,0	1,9	0,0029	42	92	14,3	42,0	680	49,0	55,0	57,0	0,43	0,55	0,66	0,959
0,37	0,5	90S	4,94	3,5	2,1	2,1	0,0055	37	81	18,0	44,0	715	56,0	62,0	62,0	0,41	0,52	0,62	1,39
0,55	0,75	90L	7,67	3,5	1,9	2,0	0,0060	31	68	22,0	44,0	685	61,0	64,0	64,0	0,44	0,56	0,66	1,88
0,75	1	100L	10,1	4,6	2,0	2,4	0,0110	42	92	30,5	50,0	710	71,0	74,0	74,0	0,40	0,52	0,62	2,36
1,1	1,5	100L	14,9	4,6	2,1	2,3	0,0127	29	64	32,0	50,0	705	70,0	73,5	73,5	0,40	0,53	0,62	3,48
1,5	2	112M	20,5	4,7	2,4	2,3	0,0202	29	64	39,0	46,0	700	77,0	79,0	79,0	0,44	0,57	0,67	4,09
2,2	3	132S	30,0	5,5	2,2	2,4	0,0592	25	55	66,0	48,0	700	81,0	81,5	81,0	0,52	0,65	0,72	5,44
3	4	132M	40,4	6,2	2,4	2,9	0,0740	19	42	68,0	48,0	710	82,0	82,5	82,0	0,54	0,65	0,72	7,33
4	5,5	160M	52,7	4,7	2,0	2,2	0,1053	29	64	107	51,0	725	82,5	83,0	83,5	0,52	0,65	0,72	9,60
5,5	7,5	160M	72,5	4,7	2,0	2,2	0,1404	21	46	120	51,0	725	85,0	86,0	85,5	0,52	0,65	0,73	12,7
7,5	10	160L	98,8	4,9	2,2	2,3	0,1756	22	48	139	51,0	725	86,0	87,0	87,0	0,52	0,65	0,73	17,0
9,2	12,5	180M	121	6,0	2,0	2,5	0,2033	11	24	156	52,0	725	88,0	88,0	87,5	0,63	0,75	0,82	18,5
11	15	180L	144	6,5	2,4	2,7	0,2439	11	24	175	52,0	729	88,0	88,5	88,0	0,62	0,72	0,79	22,8
15	20	200L	196	4,4	1,8	2,0	0,4220	27	59	235	56,0	730	88,4	88,9	89,4	0,53	0,65	0,73	33,2
18,5	25	225S/M	241	6,9	1,9	2,5	0,6183	22	48	339	56,0	735	88,9	89,4	89,9	0,62	0,74	0,80	37,1
22	30	225S/M	286	6,7	2,2	2,8	0,7203	17	37	358	56,0	735	89,3	89,8	90,3	0,60	0,72	0,78	45,1
30	40	250S/M	393	7,0	2,1	2,7	1,06	17	37	433	56,0	730	90,1	90,6	91,1	0,68	0,79	0,83	57,3
37	50	280S/M	479	5,0	1,4	1,8	2,26	26	57	614	59,0	738	90,6	91,1	91,6	0,62	0,72	0,77	75,7
45	60	280S/M	582	5,8	1,7	2,3	2,71	20	44	660	59,0	739	91,1	91,3	91,4	0,58	0,68	0,74	96,0
55	75	315S/M	709	5,7	1,7	2,1	4,03	20	44	851	62,0	741	92,0	92,4	92,4	0,62	0,73	0,78	110
75	100	315S/M	967	5,8	1,8	2,0	5,31	30	66	951	62,0	741	91,5	91,9	92,4	0,66	0,76	0,80	146
90	125	315S/M	1162	5,8	1,8	2,1	6,22	26	57	1050	62,0	740	92,2	92,7	93,2	0,66	0,76	0,80	174
110	150	315L	1420	5,8	2,0	2,2	7,84	24	53	1350	68,0	740	92,5	93,0	93,5	0,64	0,73	0,78	218
132	175	315L	1704	6,2	2,0	2,2	9,30	23	51	1352	68,0	740	92,8	93,3	93,8	0,63	0,74	0,79	257
160	220	355M/L	2055	6,4	1,4	2,3	14,4	30	66	1616	70,0	744	93,1	93,6	94,1	0,64	0,75	0,79	311
185	250	355M/L	2373	6,0	1,4	2,1	16,5	46	101	1691	70,0	745	93,4	93,9	94,4	0,64	0,75	0,80	354
200	270	355M/L	2565	6,3	1,6	2,3	18,4	48	106	1765	70,0	745	93,4	93,9	94,4	0,63	0,74	0,80	382
220	300	355M/L	2822	6,6	1,9	2,3	19,9	48	106	1875	70,0	745	93,4	93,9	94,4	0,63	0,74	0,79	426
250	340	355A/B ⁽²⁾	3206	6,2	1,5	2,4	21,7	47	103	2092	70,0	745	93,4	93,9	94,4	0,62	0,73	0,79	484
280	380	355A/B ⁽²⁾	3591	7,5	2,0	2,8	25,0	44	97	2279	70,0	745	93,4	93,9	94,4	0,61	0,73	0,79	542
Optional frames & high output designs																			
110	150	355M/L	1411	6,4	1,5	2,1	10,4	48	106	1379	70,0	745	94,6	95,2	95,2	0,63	0,74	0,79	211
132	175	355M/L	1693	6,5	1,6	2,1	12,6	48	106	1473	70,0	745	92,8	93,3	93,8	0,62	0,74	0,79	257

Notes:

- (1) Efficiency values are given according to IEC 60034-2-1. They are calculated according to indirect method, with stray load losses determined by measurement.
- (2) Fitted with air deflector in the drive end side.

Ex ec IIC T3 Gc / Ex tc IIIB T125°C Dc

Output		380 V								415 V							
		Rated speed (rpm)	% of full load						Full load current In (A)	Rated speed (rpm)	% of full load						Full load current In (A)
			Efficiency			Power Factor					Efficiency			Power Factor			
kW	HP	50	75	100	50	75	100	50	75	100	50	75	100	50	75	100	
VIII pole - 750 rpm - 50 Hz																	
0,12	0,16	650	42,9	50,1	50,6	0,35	0,44	0,53	0,680	670	37,1	45,7	48,8	0,31	0,38	0,47	0,728
0,18	0,25	680	49,3	54,4	54,9	0,47	0,59	0,69	0,722	695	45,0	51,8	54,5	0,42	0,53	0,62	0,741
0,25	0,33	670	51,1	56,2	56,8	0,47	0,59	0,70	0,955	685	47,0	53,8	56,8	0,42	0,53	0,63	0,972
0,37	0,5	710	59,5	63,8	62,4	0,44	0,56	0,67	1,34	715	53,1	59,9	60,9	0,39	0,49	0,59	1,43
0,55	0,75	675	63,3	65,1	63,5	0,47	0,61	0,70	1,88	690	58,5	62,8	63,9	0,41	0,53	0,63	1,90
0,75	1	705	73,0	75,0	73,9	0,44	0,57	0,65	2,37	715	69,2	73,0	73,7	0,38	0,49	0,59	2,40
1,1	1,5	700	72,6	73,4	73,4	0,45	0,57	0,66	3,45	705	67,8	73,0	73,0	0,37	0,49	0,59	3,55
1,5	2	695	78,8	79,6	78,5	0,49	0,61	0,70	4,15	705	75,3	78,2	78,9	0,41	0,53	0,63	4,20
2,2	3	695	81,8	81,5	79,9	0,57	0,69	0,75	5,58	705	80,1	81,4	81,4	0,49	0,62	0,70	5,37
3	4	705	82,7	82,4	80,8	0,57	0,68	0,75	7,52	715	81,1	82,4	82,5	0,50	0,62	0,70	7,23
4	5,5	720	82,5	83,0	83,5	0,56	0,68	0,74	9,84	730	82,5	83,0	83,5	0,49	0,62	0,70	9,52
5,5	7,5	720	85,8	86,0	84,9	0,56	0,68	0,75	13,1	725	84,2	85,7	85,7	0,49	0,62	0,71	12,6
7,5	10	720	86,8	87,2	86,6	0,56	0,69	0,76	17,3	725	85,1	86,7	87,1	0,49	0,62	0,71	16,9
9,2	12,5	720	88,5	87,9	86,8	0,67	0,78	0,84	19,2	725	87,4	87,9	87,8	0,59	0,72	0,80	18,2
11	15	725	88,4	88,3	87,2	0,65	0,75	0,80	24,0	730	87,5	88,5	88,4	0,58	0,69	0,76	22,8
15	20	730	88,2	88,7	89,2	0,58	0,70	0,76	33,6	735	88,7	89,2	89,5	0,49	0,62	0,70	33,3
18,5	25	735	88,7	89,2	89,7	0,67	0,77	0,82	38,2	740	89,2	89,7	90,0	0,58	0,71	0,77	37,1
22	30	732	89,0	89,5	90,0	0,65	0,76	0,81	45,9	735	89,6	90,1	90,5	0,55	0,68	0,76	44,5
30	40	730	89,9	90,4	90,9	0,70	0,80	0,84	59,7	735	90,4	90,9	91,2	0,62	0,74	0,80	57,2
37	50	735	90,4	90,9	91,2	0,66	0,75	0,78	79,0	740	90,4	91,4	91,7	0,60	0,72	0,75	74,8
45	60	738	90,9	91,1	91,2	0,63	0,72	0,77	97,4	740	91,1	91,3	91,4	0,54	0,65	0,71	96,5
55	75	740	92,0	92,4	92,4	0,68	0,78	0,80	113	742	92,0	92,4	92,4	0,57	0,69	0,76	109
75	100	739	91,3	91,7	92,1	0,70	0,79	0,81	153	741	91,6	92,1	92,6	0,63	0,74	0,79	143
90	125	740	92,0	92,5	93,0	0,70	0,79	0,81	182	742	92,5	93,0	93,3	0,62	0,73	0,78	172
110	150	740	92,3	92,8	93,3	0,68	0,77	0,80	224	742	92,8	93,3	93,6	0,60	0,71	0,76	215
132	175	740	92,6	93,1	93,6	0,68	0,77	0,81	265	740	93,1	93,6	93,9	0,59	0,71	0,77	254
160	220	743	92,9	93,4	93,9	0,68	0,78	0,81	320	745	93,4	93,9	94,2	0,61	0,73	0,77	307
185	250	745	93,2	93,7	94,2	0,69	0,78	0,82	364	745	93,7	94,2	94,7	0,60	0,72	0,78	348
200	270	745	93,2	93,7	94,2	0,68	0,78	0,83	389	745	93,7	94,2	94,7	0,59	0,71	0,78	377
220	300	745	93,2	93,7	94,2	0,68	0,78	0,81	438	745	93,7	94,2	94,7	0,59	0,71	0,77	420
250	340	745	93,2	93,7	94,2	0,67	0,77	0,81	498	745	93,7	94,2	94,7	0,58	0,70	0,77	477
280	380	745	93,2	93,7	94,2	0,66	0,76	0,81	558	745	93,7	94,2	94,7	0,57	0,70	0,77	534
Optional frames & high output designs																	
110	150	740	94,0	95,2	95,1	0,65	0,76	0,81	217	745	93,0	95,2	95,2	0,59	0,72	0,77	209
132	175	740	92,6	93,1	93,6	0,66	0,75	0,81	265	745	93,1	93,6	93,9	0,60	0,71	0,77	254



5.4 W22Xec - Standard Efficiency - IE1 ⁽¹⁾

Output		Frame	Full Load Torque (Nm)	Locked Rotor Current I/In	Locked Rotor Torque Tl/Tn	Break-down Torque Tb/Tn	Inertia J (kgm ²)	Allowable locked rotor time (s)		Weight (kg)	Sound dB(A)	400 V						Full load current In (A)	
								Hot	Cold			% of full load			Power Factor				
												Efficiency			Power Factor				
II pole - 3000 rpm - 50 Hz																			
0,12	0,16	63	0,400	4,0	2,2	2,4	0,0001	27	59	4,3	52,0	2840	45,5	51,0	53,5	0,49	0,61	0,74	0,437
0,18	0,25	63	0,620	5,0	2,4	2,4	0,0002	10	22	4,7	52,0	2790	52,0	57,0	59,0	0,54	0,67	0,77	0,572
0,25	0,33	63	0,870	4,3	2,3	2,3	0,0002	25	55	5,1	52,0	2750	52,0	57,0	60,0	0,50	0,68	0,80	0,752
0,37	0,5	71	1,25	4,9	2,3	2,6	0,0003	16	35	5,5	56,0	2835	62,0	66,5	67,0	0,57	0,71	0,81	0,984
0,55	0,75	71	1,88	5,0	2,3	2,5	0,0004	7	15	6,5	56,0	2800	64,0	70,0	70,0	0,56	0,71	0,82	1,38
0,55	0,75	80	1,85	5,1	2,6	2,6	0,0004	21	46	8,0	59,0	2840	64,5	68,5	69,0	0,60	0,74	0,83	1,39
0,75	1	80	2,54	5,1	2,5	2,6	0,0007	14	31	13,3	59,0	2825	68,5	72,0	72,1	0,62	0,76	0,84	1,79
1,1	1,5	80	3,75	6,3	2,6	2,6	0,0009	7	15	13,5	59,0	2800	74,0	76,5	76,5	0,64	0,77	0,84	2,47
1,5	2	90S	4,99	6,3	2,2	2,6	0,0020	7	15	20,7	64,0	2875	77,5	78,0	78,5	0,60	0,74	0,82	3,36
2,2	3	100L	7,35	7,5	2,2	2,7	0,0053	13	29	27,0	67,0	2860	81,0	81,5	81,5	0,73	0,83	0,88	4,33
3	4	100L	9,88	6,9	2,3	3,0	0,0059	9	20	23,5	67,0	2900	81,5	82,0	82,0	0,69	0,81	0,87	6,07
4	5,5	112M	13,2	7,1	2,4	3,0	0,0081	9	20	39,4	64,0	2890	82,0	84,0	85,0	0,71	0,82	0,87	7,81
5,5	7,5	132S	18,0	6,5	2,1	3,0	0,0180	11	24	42,0	68,0	2920	85,0	86,0	86,0	0,71	0,81	0,87	10,6
7,5	10	132S	24,5	6,9	2,3	2,6	0,0234	11	24	65,5	68,0	2920	85,5	86,5	86,5	0,72	0,82	0,87	14,4
9,2	12,5	160M	30,1	6,6	1,8	2,5	0,0335	13	29	100	67,0	2925	87,5	88,1	88,0	0,73	0,83	0,87	17,3
11	15	160M	35,8	7,5	2,4	3,3	0,0409	11	24	107	67,0	2940	87,8	88,6	88,4	0,69	0,80	0,85	21,1
15	20	160M	48,9	7,2	2,6	3,1	0,0517	9	20	118	67,0	2930	89,5	89,8	89,5	0,71	0,81	0,86	28,1
18,5	25	160L	60,1	7,8	2,6	3,1	0,0626	7	15	134	67,0	2940	90,3	90,7	90,3	0,70	0,80	0,86	34,4
22	30	180M	71,1	8,0	3,0	3,2	0,1084	7	15	167	67,0	2955	90,7	91,0	90,8	0,76	0,84	0,88	39,7
30	40	200L	96,7	7,0	2,7	2,7	0,1526	18	40	220	72,0	2965	91,3	92,0	91,6	0,74	0,83	0,87	54,3
37	50	200L	119	6,8	2,7	2,6	0,1950	13	29	232	72,0	2965	92,0	92,5	92,0	0,76	0,84	0,87	66,7
45	60	225S/M	145	7,4	2,5	3,0	0,2471	10	22	356	75,0	2960	91,8	92,6	92,4	0,76	0,84	0,87	80,8
55	75	250S/M	178	6,7	2,2	2,7	0,3736	12	26	413	75,0	2960	92,2	93,0	92,8	0,79	0,86	0,89	96,1
90	125	280S/M	289	7,0	2,0	2,8	0,9804	20	44	664	77,0	2975	93,0	93,8	93,7	0,80	0,87	0,89	156
110	150	315S/M	353	6,8	1,8	2,8	1,52	26	57	848	77,0	2976	93,3	94,3	94,0	0,78	0,85	0,88	192
200	270	315L	641	8,0	2,3	3,0	2,46	17	37	1135	78,0	2980	94,4	94,7	94,9	0,78	0,85	0,88	346
220	300	315L	706	8,0	2,3	2,8	2,98	14	31	1224	78,0	2979	94,5	94,8	94,7	0,82	0,88	0,90	373
250	340	355M/L	800	8,3	2,7	2,8	4,63	20	44	1592	80,0	2986	94,5	94,8	94,7	0,86	0,88	0,90	423
260	350	315L	835	7,0	2,4	2,5	3,70	20	44	1340	78,0	2975	94,5	94,8	94,8	0,83	0,89	0,91	435
355	480	355M/L ⁽²⁾	1137	9,3	2,7	3,1	6,01	14	31	1830	80,0	2984	94,6	95,0	94,8	0,86	0,90	0,91	594
Optional frames & high output designs																			
0,75	1	90S	2,52	6,3	2,7	2,7	0,0012	15	33	26,0	64,0	2840	74,2	76,2	76,2	0,63	0,76	0,82	1,73
1,1	1,5	90S	3,66	6,3	2,2	2,8	0,0015	7	15	15,0	64,0	2875	74,5	76,5	76,5	0,58	0,72	0,81	2,56
1,5	2	90L	4,99	6,3	2,2	2,6	0,0020	7	15	19,5	64,0	2875	77,5	78,0	78,5	0,60	0,74	0,82	3,36
2,2	3	90S	7,48	6,8	2,8	2,9	0,0021	9	20	16,7	64,0	2810	81,0	81,5	81,5	0,63	0,77	0,85	4,58
3	4	112M	9,90	7,2	2,4	2,8	0,0063	20	44	37,0	64,0	2895	83,0	83,5	83,5	0,75	0,84	0,89	5,83
5,5	7,5	132M	18,0	6,5	2,1	3,0	0,0180	11	24	42,0	68,0	2920	85,0	86,0	86,0	0,71	0,81	0,87	10,6
7,5	10	132M	24,5	6,9	2,3	2,6	0,0234	11	24	65,0	68,0	2920	85,5	86,5	86,5	0,72	0,82	0,87	14,4
15	20	160L	48,9	7,2	2,6	3,1	0,0517	9	20	125	67,0	2930	89,5	89,8	89,5	0,71	0,81	0,86	28,1
22	30	180L	71,1	8,0	3,0	3,2	0,1084	7	15	156	67,0	2955	90,7	91,0	90,8	0,76	0,84	0,88	39,7
55	75	225S/M	178	7,2	2,1	2,7	0,3238	9	20	394	75,0	2960	92,2	93,0	92,8	0,81	0,87	0,89	96,1
200	270	355M/L	640	7,4	1,7	2,7	3,66	28	62	1430	80,0	2985	94,5	94,8	94,7	0,82	0,87	0,89	343
220	300	355M/L	704	7,7	1,8	2,8	4,09	20	44	1496	80,0	2985	94,5	94,8	94,7	0,83	0,88	0,90	373

Notes:

- (1) Efficiency values are given according to IEC 60034-2-1. They are calculated according to indirect method, with stray load losses determined by measurement.
- (2) Fitted with air deflector in the drive end side.

Ex ec IIC T3 Gc / Ex tc IIIB T125°C Dc

Output		380 V								415 V							
		Rated speed (rpm)	% of full load						Full load current In (A)	Rated speed (rpm)	% of full load						Full load current In (A)
			Efficiency			Power Factor					Efficiency			Power Factor			
kW	HP	50	75	100	50	75	100	50	75	100	50	75	100	50	75	100	
II pole - 3000 rpm - 50 Hz																	
0,12	0,16	2810	48,0	51,0	53,4	0,52	0,66	0,77	0,443	2850	43,0	51,0	53,5	0,47	0,58	0,70	0,446
0,18	0,25	2760	54,0	58,0	59,5	0,59	0,73	0,82	0,561	2810	49,2	55,0	58,0	0,51	0,62	0,73	0,591
0,25	0,33	2740	54,0	59,0	60,0	0,56	0,73	0,83	0,763	2770	50,0	55,5	59,9	0,47	0,65	0,78	0,744
0,37	0,5	2820	62,0	67,5	66,6	0,64	0,77	0,86	0,981	2840	59,1	64,9	66,6	0,55	0,70	0,80	0,966
0,55	0,75	2780	65,4	70,0	70,0	0,61	0,76	0,84	1,42	2820	62,4	69,5	69,5	0,52	0,67	0,79	1,39
0,55	0,75	2825	66,8	69,0	69,0	0,68	0,80	0,87	1,39	2850	62,2	68,0	69,0	0,55	0,69	0,79	1,40
0,75	1	2800	70,8	72,7	72,1	0,69	0,82	0,88	1,80	2835	66,2	70,6	72,1	0,56	0,70	0,80	1,81
1,1	1,5	2775	75,3	76,8	76,1	0,70	0,82	0,88	2,50	2815	72,2	75,5	76,4	0,57	0,71	0,80	2,50
1,5	2	2855	77,5	78,0	78,0	0,67	0,80	0,86	3,40	2885	78,0	78,5	79,0	0,55	0,70	0,79	3,34
2,2	3	2840	81,0	81,2	81,2	0,77	0,86	0,89	4,52	2870	80,5	81,5	81,9	0,70	0,81	0,86	4,25
3	4	2890	82,4	83,0	83,0	0,75	0,85	0,89	6,17	2910	80,5	82,4	83,5	0,64	0,77	0,84	5,95
4	5,5	2880	83,0	84,2	84,5	0,77	0,86	0,89	8,08	2905	80,8	83,4	84,8	0,66	0,78	0,85	7,72
5,5	7,5	2910	85,4	86,0	86,0	0,77	0,85	0,89	10,9	2930	84,0	85,5	86,0	0,66	0,78	0,84	10,6
7,5	10	2910	86,3	86,5	86,5	0,78	0,86	0,89	14,8	2930	84,5	86,0	86,5	0,66	0,78	0,84	14,4
9,2	12,5	2915	87,9	88,0	87,5	0,77	0,86	0,89	17,9	2930	87,0	88,0	88,2	0,69	0,80	0,85	17,1
11	15	2935	88,4	88,7	88,1	0,76	0,85	0,88	21,6	2945	87,1	88,3	88,4	0,64	0,76	0,83	20,9
15	20	2930	89,9	89,8	89,1	0,76	0,84	0,88	29,1	2935	89,0	89,7	89,6	0,67	0,78	0,84	27,7
18,5	25	2935	90,8	90,8	90,1	0,75	0,84	0,88	35,5	2945	89,7	90,4	90,3	0,65	0,76	0,84	33,9
22	30	2950	90,9	90,8	90,3	0,80	0,86	0,89	41,6	2960	90,4	91,0	91,0	0,73	0,82	0,87	38,7
30	40	2960	91,8	91,9	91,2	0,79	0,85	0,88	56,8	2970	91,0	92,0	91,8	0,71	0,80	0,85	53,5
37	50	2960	92,2	92,4	91,6	0,80	0,87	0,88	69,7	2970	91,7	92,4	92,1	0,72	0,81	0,85	65,8
45	60	2955	91,9	92,5	92,5	0,80	0,86	0,88	84,0	2965	91,6	92,6	92,4	0,73	0,82	0,86	78,8
55	75	2955	92,3	92,9	92,5	0,83	0,88	0,90	100	2965	91,9	93,0	92,8	0,75	0,84	0,87	94,8
90	125	2970	93,1	93,7	93,5	0,83	0,89	0,90	162	2976	92,8	93,7	93,7	0,77	0,85	0,88	152
110	150	2970	93,6	94,4	93,9	0,81	0,87	0,89	200	2978	93,0	94,2	94,0	0,75	0,83	0,87	187
200	270	2978	94,5	94,7	94,9	0,80	0,87	0,89	360	2982	94,2	94,6	94,6	0,75	0,84	0,87	338
220	300	2976	94,6	94,8	94,5	0,84	0,89	0,91	389	2981	94,5	94,8	94,8	0,80	0,87	0,89	363
250	340	2984	94,6	94,8	94,8	0,87	0,89	0,90	445	2987	94,4	94,8	94,8	0,84	0,87	0,90	408
260	350	2970	94,3	94,7	94,7	0,85	0,90	0,92	453	2975	94,7	94,9	94,9	0,82	0,88	0,90	424
355	480	2982	94,6	94,9	94,6	0,88	0,91	0,91	627	2985	94,6	95,0	94,9	0,84	0,89	0,91	572
Optional frames & high output designs																	
0,75	1	2820	75,2	76,8	76,8	0,70	0,81	0,86	1,73	2855	72,3	75,6	76,0	0,57	0,71	0,79	1,74
1,1	1,5	2860	75,5	77,1	77,1	0,65	0,78	0,85	2,55	2880	72,6	75,9	76,3	0,52	0,66	0,77	2,60
1,5	2	2855	77,5	78,0	78,0	0,67	0,80	0,86	3,40	2885	78,0	78,5	79,0	0,55	0,70	0,79	3,34
2,2	3	2790	81,0	81,5	81,5	0,70	0,82	0,88	4,66	2820	80,5	81,3	81,3	0,57	0,72	0,82	4,59
3	4	2890	83,5	83,4	82,8	0,79	0,87	0,90	6,12	2900	82,4	83,4	83,7	0,71	0,81	0,87	5,73
5,5	7,5	2910	85,4	86,0	86,0	0,77	0,85	0,89	10,9	2930	84,0	85,5	86,0	0,66	0,78	0,84	10,6
7,5	10	2910	86,3	86,5	86,5	0,78	0,86	0,89	14,8	2930	84,5	86,0	86,5	0,66	0,78	0,84	14,4
15	20	2930	89,9	89,8	89,1	0,76	0,84	0,88	29,1	2935	89,0	89,7	89,6	0,67	0,78	0,84	27,7
22	30	2950	90,9	90,8	90,3	0,80	0,86	0,89	41,6	2960	90,4	91,0	91,0	0,73	0,82	0,87	38,7
55	75	2955	92,3	92,8	92,4	0,83	0,88	0,90	100	2960	92,1	93,0	93,0	0,79	0,86	0,88	93,5
200	270	2980	94,5	94,8	94,8	0,84	0,88	0,90	356	2985	94,3	94,6	94,7	0,80	0,86	0,89	330
220	300	2985	94,5	95,5	95,9	0,89	0,92	0,93	375	2990	93,9	95,3	96,0	0,86	0,90	0,92	347

W22Xec - Standard Efficiency - IE1 ⁽¹⁾

Output		Frame	Full Load Torque (Nm)	Locked Rotor Current I/In	Locked Rotor Torque Tl/Tn	Break-down Torque Tb/Tn	Inertia J (kgm ²)	Allowable locked rotor time (s)		Weight (kg)	Sound dB(A)	400 V						Full load current In (A)	
								Hot	Cold			Efficiency			Power Factor				
												50	75	100	50	75	100		
kW	HP	Rated speed (rpm)																	
IV pole - 1500 rpm - 50 Hz																			
0,12	0,16	63	0,850	3,5	1,8	2,0	0,0003	38	84	5,2	44,0	1350	46,0	53,0	55,0	0,51	0,64	0,75	0,420
0,18	0,25	63	1,22	4,4	2,3	2,3	0,0006	16	35	6,2	44,0	1410	51,0	55,0	57,0	0,48	0,60	0,70	0,651
0,25	0,33	71	1,69	3,7	2,2	2,3	0,0006	28	62	5,5	43,0	1410	60,0	65,0	65,0	0,50	0,62	0,70	0,793
0,37	0,5	71	2,58	3,6	2,0	2,2	0,0007	28	62	7,0	43,0	1370	58,0	62,0	66,0	0,50	0,64	0,73	1,11
0,55	0,75	80	3,65	5,3	2,0	2,8	0,0024	8	18	9,5	44,0	1440	65,0	70,0	71,0	0,54	0,68	0,78	1,43
0,75	1	80	4,99	5,1	2,1	2,3	0,0030	7	15	16,5	44,0	1435	67,0	72,0	72,3	0,58	0,70	0,79	1,90
1,1	1,5	90S	7,20	6,7	2,1	2,7	0,0052	7	15	15,0	49,0	1460	72,5	75,5	75,5	0,50	0,63	0,73	2,88
1,5	2	90L	9,86	6,2	2,1	2,9	0,0066	8	18	24,5	49,0	1454	74,5	77,5	77,5	0,50	0,65	0,75	3,72
2,2	3	100L	14,7	5,6	2,4	2,6	0,0090	9	20	23,0	53,0	1430	79,0	80,0	80,0	0,60	0,74	0,82	4,84
3	4	112M	19,8	5,9	1,7	2,4	0,0123	16	35	39,5	56,0	1450	82,5	83,0	83,0	0,61	0,74	0,81	6,44
4	5,5	132S	26,4	6,2	1,5	2,5	0,0283	15	33	57,0	60,0	1450	83,0	84,5	84,5	0,67	0,79	0,85	7,94
5,5	7,5	132S	35,9	7,5	2,0	2,8	0,0453	7	15	61,2	60,0	1465	84,0	85,5	85,5	0,63	0,76	0,84	11,1
7,5	10	132M	48,9	6,4	2,0	2,5	0,0601	8	18	73,9	60,0	1465	85,5	87,0	87,0	0,60	0,75	0,82	15,2
9,2	12,5	160M	60,2	6,0	2,0	2,4	0,0767	9	20	100	61,0	1460	86,8	87,5	87,4	0,64	0,76	0,82	18,5
11	15	160M	72,0	6,0	2,1	2,5	0,0906	9	20	111	61,0	1460	87,0	88,0	88,0	0,64	0,76	0,82	22,0
15	20	160L	97,5	7,1	2,6	3,1	0,1325	8	18	138	61,0	1470	89,0	89,7	89,3	0,66	0,76	0,83	29,2
18,5	25	180M	120	7,5	2,7	3,1	0,1398	12	26	152	61,0	1470	88,0	89,5	90,2	0,65	0,75	0,82	36,1
30	40	200L	194	7,0	2,5	2,7	0,2802	13	29	212	65,0	1475	91,3	91,7	91,5	0,66	0,77	0,83	57,0
37	50	225S/M	240	7,0	2,2	2,7	0,3944	10	22	342	68,0	1475	92,0	92,4	92,2	0,71	0,81	0,85	68,1
55	75	250S/M	355	7,5	2,5	2,8	0,7731	12	26	431	68,0	1480	92,9	93,2	93,1	0,70	0,80	0,85	100
75	100	280S/M	483	6,6	2,0	2,6	1,48	22	48	639	71,0	1485	93,0	93,5	93,5	0,73	0,81	0,85	136
90	125	280S/M	579	6,8	2,1	2,5	1,79	20	44	673	71,0	1485	93,2	93,8	93,8	0,75	0,83	0,85	163
90	125	315S/M	579	6,0	1,8	2,6	2,22	26	57	887	71,0	1485	93,5	94,2	94,0	0,75	0,83	0,86	161
110	150	315S/M	705	6,4	2,0	2,4	2,55	26	57	887	71,0	1490	93,6	94,3	94,1	0,75	0,83	0,86	196
132	175	315S/M	846	6,9	2,4	2,6	3,11	22	48	953	71,0	1490	93,9	94,5	94,3	0,74	0,83	0,86	235
132	180	315S/M	846	6,9	2,4	2,6	3,11	22	48	953	71,0	1490	93,9	94,5	94,3	0,74	0,83	0,86	235
160	220	315S/M	1026	7,3	2,4	2,5	3,54	18	40	1012	71,0	1490	94,1	94,6	94,5	0,73	0,82	0,86	284
200	270	315L	1283	6,9	2,4	2,3	4,41	16	35	1216	74,0	1490	94,4	94,8	94,7	0,76	0,84	0,85	359
220	300	315L	1411	7,7	2,6	2,4	4,85	14	31	1330	74,0	1490	94,5	94,9	94,8	0,74	0,83	0,86	389
250	340	355M/L	1603	6,5	2,1	2,4	7,17	18	40	1470	76,0	1490	94,6	94,9	94,9	0,73	0,82	0,85	447
260	350	355M/L	1667	6,4	2,4	2,4	7,73	14	31	1571	76,0	1490	94,6	95,0	94,9	0,73	0,82	0,85	465
280	380	355M/L	1796	6,6	2,1	2,4	8,05	14	31	1510	76,0	1490	94,6	95,0	94,9	0,74	0,82	0,85	501
300	400	355M/L	1924	7,2	2,2	2,4	8,59	18	40	1560	76,0	1490	94,6	95,0	94,9	0,74	0,82	0,85	537
315	430	355M/L	2020	7,2	2,4	2,4	8,95	14	31	1670	76,0	1490	94,6	95,0	94,9	0,74	0,82	0,86	557
330	450	355M/L	2116	6,8	2,2	2,4	9,84	17	37	1769	76,0	1490	94,6	95,0	94,9	0,75	0,83	0,86	584
355	480	355M/L ⁽²⁾	2277	6,9	2,4	2,3	10,7	15	33	1888	76,0	1490	94,6	95,0	94,9	0,75	0,83	0,86	628
400	550	355M/L ⁽²⁾	2562	7,6	2,6	2,7	11,7	11	24	1971	76,0	1492	94,7	95,1	94,9	0,74	0,82	0,85	716
Optional frames & high output designs																			
0,18	0,25	71	1,23	3,8	1,7	1,9	0,0004	30	66	5,5	43,0	1400	50,0	57,0	58,0	0,50	0,63	0,73	0,614
0,37	0,5	80	2,50	5,0	2,0	2,4	0,0015	23	51	8,5	44,0	1415	63,0	66,0	67,0	0,57	0,71	0,81	0,984
0,55	0,75	71	3,86	4,5	2,5	2,3	0,0009	23	51	9,5	43,0	1360	66,0	69,0	70,0	0,50	0,64	0,74	1,53
0,55	0,75	90L	3,71	5,4	2,1	2,4	0,0030	29	64	15,5	49,0	1415	70,0	73,0	73,0	0,56	0,70	0,78	1,39
0,55	0,75	90S	3,71	5,4	2,1	2,4	0,0030	29	64	15,5	49,0	1415	70,0	73,0	73,0	0,56	0,70	0,78	1,39
0,75	1	90S	4,96	5,4	2,0	2,3	0,0036	20	44	16,5	49,0	1445	70,5	73,5	73,5	0,57	0,70	0,79	1,86
1,1	1,5	80	7,51	5,8	2,7	2,7	0,0032	10	22	14,5	44,0	1400	70,5	75,0	75,5	0,61	0,75	0,83	2,53
1,1	1,5	90L	7,20	6,7	2,1	2,7	0,0052	7	15	15,0	49,0	1460	72,5	75,5	75,5	0,50	0,63	0,73	2,88
1,1	1,5	L80	7,51	5,8	2,7	2,7	0,0032	10	22	14,5	44,0	1400	70,5	75,0	75,5	0,61	0,75	0,83	2,53
1,5	2	100L	10,2	5,4	2,1	2,4	0,0052	21	46	24,0	53,0	1405	79,0	79,5	79,0	0,64	0,76	0,82	3,34
1,5	2	L90L	9,86	6,2	2,1	2,9	0,0066	8	18	17,0	49,0	1454	74,5	77,5	77,5	0,50	0,65	0,75	3,72
2,2	3	112M	14,6	5,9	1,8	2,5	0,0104	27	59	38,0	56,0	1440	81,0	82,0	82,0	0,59	0,72	0,79	4,90
5,5	7,5	132M	35,9	7,5	2,0	2,8	0,0453	7	15	47,0	60,0	1465	84,0	85,5	85,5	0,63	0,76	0,84	11,1
9,2	12,5	132M	60,4	7,5	2,2	2,8	0,0563	6	13	70,0	60,0	1455	86,5	87,7	87,7	0,64	0,78	0,85	17,8
11	15	160L	72,0	6,0	2,1	2,5	0,0906	9	20	110	61,0	1460	87,0	88,0	88,0	0,64	0,76	0,82	22,0
18,5	25	180L	120	7,5	2,7	3,1	0,1398	12	26	152	61,0	1470	88,0	89,5	90,2	0,65	0,75	0,82	36,1
110	150	280S/M	708	7,3	2,3	2,6	2,09	16	35	735	71,0	1484	93,5	94,2	94,1	0,71	0,80	0,84	201
220	300	355M/L	1411	6,4	2,0	2,2	6,48	18	40	1414	76,0	1490	94,6	94,9	94,8	0,73	0,81	0,85	394

Notes:

- (1) Efficiency values are given according to IEC 60034-2-1. They are calculated according to indirect method, with stray load losses determined by measurement.
- (2) Fitted with air deflector in the drive end side.

Ex ec IIC T3 Gc / Ex tc IIIB T125°C Dc

Output		380 V									415 V								
		Rated speed (rpm)	% of full load						Full load current In (A)	Rated speed (rpm)	% of full load						Full load current In (A)		
			Efficiency			Power Factor					Efficiency			Power Factor					
kW	HP	50	75	100	50	75	100	50	75	100	50	75	100	50	75	100			
IV pole - 1500 rpm - 50 Hz																			
0,12	0,16	1330	49,6	55,0	55,1	0,56	0,69	0,79	0,419	1360	42,7	50,9	54,0	0,48	0,60	0,71	0,435		
0,18	0,25	1400	51,0	55,0	57,0	0,52	0,64	0,74	0,648	1415	46,0	53,0	57,0	0,48	0,57	0,67	0,656		
0,25	0,33	1395	62,0	65,0	65,0	0,55	0,65	0,74	0,790	1415	60,0	64,0	64,0	0,47	0,58	0,68	0,799		
0,37	0,5	1350	61,5	63,5	66,0	0,55	0,70	0,78	1,09	1385	54,3	59,8	66,0	0,46	0,59	0,69	1,13		
0,55	0,75	1430	68,0	71,3	70,9	0,60	0,73	0,82	1,44	1445	62,0	68,4	70,4	0,51	0,65	0,75	1,45		
0,75	1	1425	70,2	72,0	72,1	0,63	0,74	0,82	1,93	1440	65,0	71,0	72,4	0,54	0,65	0,76	1,90		
1,1	1,5	1455	73,0	75,5	75,5	0,55	0,69	0,78	2,84	1465	70,5	74,5	75,5	0,46	0,59	0,69	2,94		
1,5	2	1448	74,5	77,5	77,5	0,57	0,71	0,80	3,68	1457	72,5	77,5	77,5	0,46	0,60	0,71	3,79		
2,2	3	1420	79,0	80,5	79,7	0,67	0,79	0,85	4,93	1440	77,5	79,5	80,0	0,55	0,68	0,78	4,90		
3	4	1445	83,8	83,3	82,5	0,67	0,78	0,84	6,58	1455	81,1	82,5	83,1	0,56	0,70	0,78	6,44		
4	5,5	1445	84,1	84,7	83,9	0,73	0,83	0,87	8,23	1455	81,9	84,1	84,5	0,62	0,75	0,82	7,93		
5,5	7,5	1460	85,0	85,5	85,5	0,69	0,81	0,86	11,4	1470	83,2	85,0	85,5	0,58	0,72	0,81	11,0		
7,5	10	1460	86,5	86,8	86,8	0,66	0,78	0,85	15,4	1470	83,7	86,2	86,7	0,56	0,70	0,78	15,4		
9,2	12,5	1455	87,5	87,6	87,0	0,69	0,79	0,84	19,1	1465	86,1	87,2	87,5	0,60	0,73	0,80	18,3		
11	15	1455	87,8	88,2	87,6	0,69	0,80	0,84	22,7	1465	86,1	87,6	88,0	0,59	0,72	0,79	22,0		
15	20	1465	89,5	89,7	88,9	0,71	0,79	0,85	30,2	1470	88,4	89,5	89,4	0,62	0,73	0,81	28,8		
18,5	25	1465	88,0	89,5	90,0	0,70	0,80	0,84	37,2	1470	87,0	89,0	90,2	0,59	0,71	0,78	36,6		
30	40	1470	91,7	91,7	91,2	0,71	0,81	0,85	58,8	1475	90,8	91,5	91,6	0,61	0,74	0,80	57,0		
37	50	1470	92,3	92,4	91,9	0,76	0,84	0,86	71,1	1477	91,6	92,3	92,2	0,68	0,78	0,83	67,3		
55	75	1470	93,1	93,1	92,7	0,74	0,83	0,86	105	1480	92,6	93,1	93,1	0,65	0,77	0,84	97,8		
75	100	1480	93,3	93,5	93,3	0,77	0,83	0,86	142	1485	92,7	93,4	93,5	0,70	0,79	0,84	133		
90	125	1480	93,6	93,9	93,6	0,79	0,85	0,87	168	1486	92,8	93,6	93,8	0,72	0,81	0,84	159		
90	125	1485	93,7	94,2	93,9	0,78	0,85	0,87	167	1485	93,2	94,1	94,0	0,72	0,81	0,85	157		
110	150	1490	93,8	94,3	93,9	0,79	0,85	0,87	205	1490	93,3	94,2	94,1	0,72	0,81	0,85	191		
132	175	1488	94,2	94,5	94,2	0,78	0,85	0,87	245	1491	93,6	94,4	94,3	0,71	0,81	0,85	229		
132	180	1488	94,2	94,5	94,2	0,78	0,85	0,87	245	1491	93,6	94,4	94,3	0,71	0,81	0,85	229		
160	220	1488	94,4	94,7	94,4	0,77	0,84	0,87	296	1490	93,8	94,5	94,5	0,70	0,80	0,85	277		
200	270	1490	94,6	94,8	94,5	0,79	0,86	0,88	365	1490	94,2	94,8	94,8	0,73	0,82	0,86	342		
220	300	1490	94,7	94,9	94,7	0,78	0,85	0,87	406	1490	94,3	94,8	94,8	0,71	0,81	0,85	380		
250	340	1490	94,7	94,8	94,8	0,77	0,84	0,86	466	1490	94,4	94,9	94,9	0,70	0,80	0,84	436		
260	350	1490	94,7	94,8	94,8	0,77	0,84	0,86	485	1490	94,4	94,9	94,9	0,70	0,80	0,84	454		
280	380	1490	94,7	94,8	94,8	0,77	0,84	0,86	522	1490	94,4	94,9	95,0	0,71	0,80	0,84	488		
300	400	1490	94,7	94,8	94,8	0,78	0,84	0,88	546	1490	94,4	94,9	94,9	0,71	0,80	0,84	524		
315	430	1490	94,8	94,9	94,9	0,77	0,84	0,87	580	1490	94,4	94,9	94,9	0,71	0,80	0,85	543		
330	450	1485	94,6	94,9	94,9	0,74	0,79	0,85	622	1490	94,4	94,9	95,0	0,72	0,81	0,85	569		
355	480	1490	94,7	94,8	94,8	0,78	0,85	0,87	654	1490	94,5	95,0	95,0	0,72	0,81	0,85	612		
400	550	1491	94,8	94,8	94,8	0,77	0,84	0,87	737	1493	94,5	95,0	95,0	0,71	0,80	0,84	697		
Optional frames & high output designs																			
0,18	0,25	1390	52,9	58,6	57,6	0,54	0,68	0,76	0,625	1415	47,2	55,3	57,5	0,48	0,60	0,70	0,622		
0,37	0,5	1405	65,4	67,0	66,7	0,62	0,76	0,84	1,00	1425	60,6	64,7	66,6	0,53	0,67	0,77	1,00		
0,55	0,75	1335	68,7	70,0	70,0	0,55	0,69	0,78	1,53	1375	62,9	67,6	70,0	0,45	0,59	0,70	1,56		
0,55	0,75	1405	71,6	73,4	72,3	0,61	0,74	0,81	1,43	1420	68,6	72,3	73,1	0,52	0,66	0,75	1,40		
0,55	0,75	1405	71,6	73,4	72,3	0,61	0,74	0,81	1,43	1420	68,6	72,3	73,1	0,52	0,66	0,75	1,40		
0,75	1	1435	72,0	73,9	72,8	0,62	0,75	0,82	1,91	1445	68,9	72,8	73,7	0,52	0,66	0,76	1,86		
1,1	1,5	1385	73,3	75,0	75,7	0,71	0,80	0,87	2,54	1410	67,3	73,1	75,1	0,56	0,70	0,81	2,52		
1,1	1,5	1455	73,0	75,5	75,5	0,55	0,69	0,78	2,84	1465	70,5	74,5	75,5	0,46	0,59	0,69	2,94		
1,1	1,5	1385	73,3	75,0	75,7	0,71	0,80	0,87	2,54	1410	67,3	73,1	75,1	0,56	0,70	0,81	2,52		
1,5	2	1390	79,6	79,1	77,7	0,69	0,79	0,84	3,49	1415	78,1	79,4	79,6	0,60	0,73	0,80	3,28		
1,5	2	1448	74,5	77,5	77,5	0,57	0,71	0,80	3,68	1457	72,5	77,5	77,5	0,46	0,60	0,71	3,79		
2,2	3	1435	82,2	82,3	81,5	0,65	0,76	0,82	5,00	1445	79,9	81,5	82,0	0,55	0,68	0,76	4,91		
5,5	7,5	1460	85,0	85,5	85,5	0,69	0,81	0,86	11,4	1470	83,2	85,0	85,5	0,58	0,72	0,81	11,0		
9,2	12,5	1450	87,3	87,8	87,4	0,70	0,82	0,87	18,4	1455	85,3	87,1	87,5	0,59	0,73	0,82	17,8		
11	15	1455	87,8	88,2	87,6	0,69	0,80	0,84	22,7	1465	86,1	87,6	88,0	0,59	0,72	0,79	22,0		
18,5	25	1465	88,0	89,5	90,0	0,70	0,80	0,84	37,2	1470	87,0	89,0	90,2	0,59	0,71	0,78	36,6		
110	150	1480	93,7	94,0	93,9	0,75	0,82	0,85	209	1485	93,3	94,1	94,1	0,68	0,78	0,82	198		
220	300	1490	94,7	94,7	94,7	0,77	0,83	0,86	410	1490	94,4	94,8	94,8	0,70	0,79	0,84	384		

W22Xec - Standard Efficiency - IE1 ⁽¹⁾

Output		Frame	Full Load Torque (Nm)	Locked Rotor Current I/In	Locked Rotor Torque Tl/Tn	Break-down Torque Tb/Tn	Inertia J (kgm ²)	Allowable locked rotor time (s)		Weight (kg)	Sound dB(A)	400 V						Full load current In (A)	
								Hot	Cold			Efficiency			Power Factor				
												50	75	100	50	75	100		
VI pole - 1000 rpm - 50 Hz																			
0,12	0,16	63	1,30	2,6	1,7	1,6	0,0007	46	101	6,7	43,0	880	43,0	47,0	48,0	0,44	0,55	0,67	0,539
0,18	0,25	71	1,91	3,1	2,2	2,2	0,0009	30	66	9,0	43,0	900	46,0	53,0	55,0	0,38	0,49	0,58	0,814
0,25	0,33	71	2,65	3,1	2,4	2,2	0,0008	30	66	11,5	43,0	900	48,0	55,0	57,0	0,38	0,48	0,58	1,09
0,37	0,5	80	3,80	3,6	1,7	1,9	0,0019	16	35	12,1	43,0	930	55,0	60,0	63,0	0,50	0,64	0,75	1,13
0,55	0,75	80	5,65	4,5	2,3	2,3	0,0030	10	22	15,5	43,0	930	60,0	65,0	67,0	0,50	0,63	0,73	1,62
0,75	1	90S	7,58	5,0	2,0	2,1	0,0044	17	37	18,0	45,0	945	68,0	70,0	70,0	0,51	0,65	0,75	2,06
1,5	2	100L	15,2	4,4	1,9	2,2	0,0093	14	31	27,0	44,0	945	76,0	77,0	76,0	0,52	0,66	0,73	3,90
3	4	132S	29,6	5,8	2,0	2,3	0,0340	20	44	56,4	53,0	970	80,0	81,0	81,0	0,51	0,64	0,73	7,32
4	5,5	132M	39,6	5,8	2,1	2,2	0,0435	19	42	66,0	53,0	965	81,0	82,5	82,5	0,54	0,66	0,74	9,46
5,5	7,5	132M	54,5	6,2	2,3	2,6	0,0606	19	42	72,0	53,0	965	82,5	84,5	84,5	0,51	0,64	0,72	13,0
7,5	10	160M	74,3	5,4	1,9	2,3	0,0966	12	26	103	57,0	965	85,3	85,5	85,3	0,64	0,76	0,83	15,3
9,2	12,5	160L	91,1	5,7	2,0	2,4	0,1229	10	22	113	57,0	965	86,0	86,5	86,0	0,66	0,76	0,83	18,6
11	15	160L	108	6,5	2,6	2,9	0,1489	10	22	127	57,0	975	87,0	87,5	88,0	0,55	0,68	0,78	23,1
15	20	180L	147	7,5	2,5	2,9	0,2299	6	13	166	56,0	975	88,0	88,5	88,2	0,71	0,81	0,86	28,5
18,5	25	200L	181	5,7	2,1	2,4	0,2989	12	26	190	60,0	975	88,3	89,3	88,9	0,64	0,76	0,82	36,6
22	30	200L	216	6,0	2,2	2,4	0,3692	13	29	218	60,0	975	89,5	90,0	89,7	0,67	0,77	0,83	42,7
30	40	225S/M	291	7,2	2,6	2,7	0,7192	12	26	359	63,0	985	91,0	91,5	91,2	0,73	0,82	0,86	55,2
75	100	315S/M	724	6,4	1,9	2,2	3,81	22	48	837	67,0	990	93,0	93,2	93,0	0,68	0,78	0,83	140
90	125	315S/M	870	5,7	1,9	2,2	4,36	18	40	883	67,0	989	93,4	93,6	93,4	0,70	0,79	0,83	168
132	175	315S/M	1274	6,2	2,1	2,2	6,00	18	40	1012	67,0	990	94,0	94,2	94,1	0,73	0,82	0,85	238
160	220	315L	1544	7,2	2,4	2,7	7,22	14	31	1203	68,0	990	94,1	94,4	94,4	0,69	0,79	0,82	298
160	220	355M/L	1541	5,6	1,8	2,0	7,86	32	70	1416	73,0	992	94,0	94,5	94,5	0,64	0,74	0,79	309
185	250	355M/L	1786	6,0	2,0	2,2	8,57	30	66	1530	73,0	990	94,3	94,6	94,6	0,63	0,74	0,79	357
200	270	355M/L	1930	6,0	2,0	2,1	10,2	32	70	1600	73,0	990	94,4	94,7	94,7	0,64	0,75	0,80	381
220	300	355M/L	2123	6,4	2,1	2,2	11,1	30	66	1678	73,0	990	94,4	94,8	94,7	0,64	0,74	0,80	419
300	400	355M/L	2887	6,2	2,2	2,2	14,3	30	66	1900	73,0	993	94,4	94,8	94,6	0,63	0,74	0,79	579
315	430	355M/L ⁽²⁾	3025	6,2	2,2	2,2	15,0	28	62	1979	73,0	995	94,5	94,7	94,8	0,66	0,76	0,81	592
Optional frames & high output designs																			
0,25	0,33	80	2,51	4,1	2,1	2,7	0,0015	26	57	8,5	43,0	950	51,0	58,0	60,0	0,43	0,53	0,62	0,970
0,75	1	90L	7,58	5,0	2,0	2,1	0,0044	17	37	18,0	45,0	945	68,0	70,0	70,0	0,51	0,65	0,75	2,06
1,5	2	112M	15,2	5,2	2,0	2,4	0,0147	21	46	36,0	49,0	945	75,5	77,5	77,0	0,53	0,66	0,75	3,75
3	4	132M	29,6	5,8	2,0	2,3	0,0340	20	44	55,0	53,0	970	80,0	81,0	81,0	0,51	0,64	0,73	7,32
7,5	10	160L	74,3	5,4	1,9	2,3	0,0966	12	26	103	57,0	965	85,3	85,5	85,3	0,64	0,76	0,83	15,3
9,2	12,5	160M	91,1	5,7	2,0	2,4	0,1229	10	22	113	57,0	965	86,0	86,5	86,0	0,66	0,76	0,83	18,6
VIII pole - 750 rpm - 50 Hz																			
0,12	0,16	71	1,74	2,2	2,1	2,0	0,0008	84	185	10,7	41,0	660	37,8	38,5	39,0	0,37	0,45	0,53	0,838
0,18	0,25	80	2,47	2,8	2,2	2,4	0,0020	29	64	12,6	42,0	695	36,2	44,1	45,5	0,45	0,53	0,62	0,921
0,25	0,33	80	3,49	3,8	2,1	2,2	0,0027	27	59	13,0	42,0	685	46,0	50,0	50,5	0,45	0,56	0,66	1,08
0,37	0,5	90S	5,16	3,0	1,9	1,8	0,0038	32	70	15,4	44,0	685	50,6	55,0	55,8	0,44	0,55	0,64	1,50
0,55	0,75	90L	7,62	3,3	1,9	1,9	0,0058	25	55	16,5	44,0	690	58,0	60,0	60,0	0,43	0,56	0,66	2,00
0,75	1	100L	9,95	4,0	1,8	2,0	0,0077	20	44	23,8	50,0	720	59,5	64,0	64,5	0,42	0,53	0,62	2,71
1,1	1,5	100L	15,0	4,0	1,7	2,3	0,0116	27	59	28,5	50,0	700	65,0	65,5	70,0	0,45	0,57	0,66	3,44
1,5	2	112M	20,5	4,2	2,2	2,2	0,0174	26	57	33,4	46,0	700	73,7	75,4	73,5	0,48	0,61	0,70	4,21
2,2	3	132S	29,6	6,1	2,5	2,8	0,0592	22	48	55,3	48,0	710	75,8	78,0	77,1	0,55	0,68	0,77	5,35
3	4	132M	40,4	6,5	2,4	2,9	0,0715	18	40	65,0	48,0	710	78,5	80,1	79,0	0,55	0,67	0,74	7,41
4	5,5	160M	53,1	4,7	2,0	2,1	0,0878	17	37	101	51,0	720	79,5	82,0	81,5	0,52	0,65	0,72	9,84
5,5	7,5	160M	73,0	4,7	2,0	2,1	0,1141	16	35	110	51,0	720	82,0	83,2	83,0	0,52	0,65	0,73	13,1
7,5	10	160L	99,5	4,9	2,2	2,2	0,1492	16	35	130	51,0	720	84,0	85,5	85,0	0,52	0,65	0,73	17,4
9,2	12,5	180M	121	6,3	2,0	2,4	0,2037	10	22	156	52,0	725	86,0	86,5	86,0	0,64	0,76	0,82	18,8
11	15	180L	144	6,5	2,3	2,6	0,2444	10	22	175	52,0	729	85,0	85,8	86,0	0,62	0,72	0,79	23,4
55	75	315S/M	709	5,8	1,8	2,0	3,66	30	66	745	62,0	741	89,8	90,3	90,8	0,62	0,72	0,77	114
110	150	355M/L	1411	5,6	1,1	2,0	9,48	50	110	1343	70,0	745	94,0	94,5	94,6	0,62	0,73	0,79	212
132	175	355M/L	1693	6,0	1,2	2,1	11,3	48	106	1448	70,0	745	91,4	91,9	92,4	0,62	0,74	0,79	261
150	200	355M/L	1924	7,0	1,5	2,0	13,8	35	77	1571	70,0	745	91,8	92,0	92,5	0,64	0,75	0,80	293
160	220	315L	2066	6,4	2,2	2,2	10,0	20	44	1350	68,0	740	91,6	92,3	92,6	0,63	0,74	0,79	316
Optional frames & high output designs																			
2,2	3	132M	29,6	6,1	2,5	2,8	0,0592	22	48	55,3	48,0	710	75,8	78,0	77,1	0,55	0,68	0,77	5,35
5,5	7,5	160L	73,0	4,7	2,0	2,1	0,1141	16	35	110	51,0	720	82,0	83,2	83,0	0,52	0,65	0,73	13,1
132	180	355M/L	1693	6,0	1,2	2,1	11,3	48	106	1448	70,0	745	91,4	91,9	92,4	0,62	0,74	0,79	261
160	220	355M/L	2055	6,4	1,4	2,3	13,8	30	66	1571	70,0	744	91,8	92,3	92,8	0,64	0,75	0,79	315

Notes:

(1) Efficiency values are given according to IEC 60034-2-1. They are calculated according to indirect method, with stray load losses determined by measurement.
 (2) Fitted with air deflector in the drive end side.

Ex ec IIC T3 Gc / Ex tc IIIB T125°C Dc

Output		380 V								415 V							
		Rated speed (rpm)	% of full load						Full load current In (A)	Rated speed (rpm)	% of full load						Full load current In (A)
			Efficiency			Power Factor					Efficiency			Power Factor			
kW	HP	50	75	100	50	75	100		50	75	100	50	75	100			
VI pole - 1000 rpm - 50 Hz																	
0,12	0,16	870	48,5	50,9	50,1	0,47	0,59	0,72	0,505	890	38,5	43,1	45,7	0,43	0,52	0,63	0,580
0,18	0,25	885	49,3	55,1	55,9	0,41	0,52	0,62	0,789	905	42,9	50,5	53,7	0,37	0,46	0,55	0,848
0,25	0,33	890	51,8	57,3	57,6	0,41	0,53	0,63	1,05	905	45,0	52,6	55,5	0,36	0,45	0,54	1,16
0,37	0,5	920	57,0	62,0	65,0	0,54	0,69	0,80	1,08	940	55,0	60,0	62,0	0,47	0,60	0,72	1,15
0,55	0,75	920	62,0	65,8	68,0	0,54	0,67	0,77	1,60	935	58,0	64,0	66,0	0,47	0,59	0,68	1,70
0,75	1	935	70,1	70,6	70,0	0,56	0,70	0,78	2,09	950	65,9	69,1	70,1	0,47	0,61	0,71	2,10
1,5	2	940	77,6	77,2	75,2	0,57	0,70	0,76	3,99	950	74,4	76,3	76,3	0,48	0,62	0,70	3,91
3	4	965	80,0	80,5	81,0	0,55	0,68	0,77	7,31	970	79,0	80,5	81,0	0,47	0,60	0,69	7,47
4	5,5	960	82,0	82,5	82,5	0,58	0,73	0,78	9,44	970	80,0	82,2	83,4	0,52	0,64	0,72	9,27
5,5	7,5	960	83,8	85,1	84,4	0,56	0,69	0,76	13,0	970	81,1	83,8	84,3	0,47	0,60	0,69	13,2
7,5	10	960	86,2	85,6	84,7	0,69	0,80	0,85	15,8	970	84,3	85,2	85,4	0,60	0,73	0,81	15,1
9,2	12,5	960	86,8	86,6	85,8	0,71	0,79	0,85	19,2	970	85,1	86,2	86,2	0,62	0,73	0,81	18,3
11	15	970	87,6	87,5	87,5	0,60	0,73	0,81	23,6	976	86,4	87,3	88,5	0,50	0,65	0,75	23,1
15	20	970	88,5	88,4	87,7	0,74	0,83	0,88	29,5	975	87,4	88,3	88,4	0,68	0,79	0,85	27,8
18,5	25	970	89,3	89,6	88,7	0,70	0,80	0,85	37,3	975	87,3	88,8	88,8	0,59	0,72	0,79	36,7
22	30	970	90,3	90,2	89,4	0,72	0,81	0,85	44,0	975	88,6	89,6	89,7	0,62	0,73	0,81	42,1
30	40	980	91,2	91,3	90,7	0,76	0,83	0,87	57,8	985	90,6	91,4	91,2	0,70	0,80	0,85	53,8
75	100	988	93,5	93,4	92,9	0,73	0,81	0,84	146	991	92,7	93,1	93,0	0,64	0,75	0,81	139
90	125	988	93,7	93,6	93,1	0,74	0,82	0,84	175	990	93,1	93,5	93,4	0,67	0,78	0,82	163
132	175	985	94,3	94,2	93,9	0,78	0,85	0,87	245	990	93,7	94,1	94,1	0,69	0,80	0,83	235
160	220	990	94,3	94,4	94,2	0,73	0,81	0,84	307	992	93,8	94,3	94,4	0,66	0,76	0,81	291
160	220	992	94,2	94,5	94,5	0,69	0,78	0,81	318	993	93,8	94,4	94,5	0,63	0,74	0,78	302
185	250	990	93,5	94,4	94,8	0,73	0,80	0,83	357	990	92,5	94,0	94,8	0,63	0,72	0,79	344
200	270	990	94,0	94,7	94,8	0,74	0,81	0,83	386	990	93,0	94,3	94,8	0,66	0,75	0,79	372
220	300	990	93,8	94,7	94,7	0,72	0,80	0,82	430	995	93,0	94,6	94,7	0,62	0,74	0,79	409
300	400	992	94,7	94,7	94,5	0,65	0,75	0,80	603	995	94,2	94,6	94,6	0,60	0,70	0,77	573
315	430	995	94,7	94,8	94,7	0,70	0,79	0,83	609	995	94,3	94,7	94,8	0,62	0,73	0,79	585
Optional frames & high output designs																	
0,25	0,33	945	54,9	60,0	59,6	0,46	0,57	0,67	0,951	950	47,7	55,6	59,0	0,42	0,51	0,59	0,999
0,75	1	935	70,1	70,6	70,0	0,56	0,70	0,78	2,09	950	65,9	69,1	70,1	0,47	0,61	0,71	2,10
1,5	2	940	76,9	77,8	76,3	0,58	0,72	0,78	3,83	950	74,1	76,8	77,1	0,50	0,63	0,72	3,76
3	4	965	80,0	80,5	81,0	0,55	0,68	0,77	7,31	970	79,0	80,5	81,0	0,47	0,60	0,69	7,47
7,5	10	960	86,2	85,6	84,7	0,69	0,80	0,85	15,8	970	84,3	85,2	85,4	0,60	0,73	0,81	15,1
9,2	12,5	960	86,8	86,6	85,8	0,71	0,79	0,85	19,2	970	85,1	86,2	86,2	0,62	0,73	0,81	18,3
VIII pole - 750 rpm - 50 Hz																	
0,12	0,16	650	37,8	38,5	39,0	0,39	0,48	0,57	0,820	670	37,8	38,5	39,0	0,36	0,43	0,50	0,856
0,18	0,25	690	40,7	45,0	45,5	0,47	0,57	0,66	0,911	700	32,8	41,2	45,5	0,43	0,51	0,59	0,933
0,25	0,33	675	49,5	50,0	50,5	0,48	0,60	0,70	1,07	690	43,2	49,4	50,5	0,43	0,53	0,63	1,09
0,37	0,5	680	54,4	55,0	55,8	0,48	0,60	0,69	1,46	690	46,6	55,0	55,8	0,41	0,51	0,61	1,51
0,55	0,75	685	61,7	62,0	60,0	0,47	0,60	0,70	1,99	695	54,8	59,0	59,0	0,41	0,52	0,62	2,09
0,75	1	715	63,0	64,0	64,5	0,46	0,58	0,66	2,68	725	56,0	63,0	64,5	0,39	0,49	0,58	2,79
1,1	1,5	690	65,0	65,5	70,0	0,50	0,62	0,70	3,41	705	66,2	70,7	70,7	0,41	0,53	0,62	3,49
1,5	2	690	75,9	76,2	73,2	0,52	0,65	0,73	4,26	705	71,6	74,2	73,1	0,44	0,57	0,66	4,33
2,2	3	705	77,1	78,3	76,7	0,60	0,73	0,80	5,45	715	74,7	77,5	77,1	0,52	0,65	0,74	5,36
3	4	705	79,7	80,5	78,6	0,59	0,70	0,76	7,63	715	77,1	79,6	79,0	0,51	0,64	0,72	7,34
4	5,5	715	81,3	82,7	81,2	0,57	0,70	0,75	9,98	720	77,8	81,2	81,3	0,48	0,61	0,69	9,92
5,5	7,5	715	83,3	83,5	82,5	0,57	0,69	0,76	13,3	720	80,7	82,6	83,0	0,49	0,62	0,70	13,2
7,5	10	715	85,2	85,8	84,6	0,57	0,69	0,76	17,7	720	82,8	85,0	85,0	0,48	0,62	0,70	17,5
9,2	12,5	720	86,8	86,6	85,4	0,69	0,80	0,84	19,5	730	85,2	86,3	86,2	0,60	0,73	0,80	18,6
11	15	725	85,0	85,8	86,0	0,65	0,75	0,81	24,0	730	85,0	85,8	86,0	0,58	0,69	0,78	22,8
55	75	740	89,6	90,1	90,6	0,67	0,76	0,80	115	742	90,1	90,6	90,9	0,58	0,70	0,75	112
110	150	740	93,0	94,2	94,5	0,66	0,77	0,82	216	745	92,0	94,1	94,5	0,60	0,71	0,78	208
132	175	740	91,2	91,7	92,2	0,66	0,75	0,81	269	745	91,7	92,2	92,4	0,60	0,71	0,77	258
150	200	745	91,8	92,0	92,5	0,69	0,79	0,83	297	745	91,8	92,0	92,5	0,59	0,71	0,77	293
160	220	740	91,4	91,9	92,4	0,66	0,76	0,80	329	740	91,8	92,3	92,8	0,60	0,72	0,78	308
Optional frames & high output designs																	
2,2	3	705	77,1	78,3	76,7	0,60	0,73	0,80	5,45	715	74,7	77,5	77,1	0,52	0,65	0,74	5,36
5,5	7,5	715	83,3	83,5	82,5	0,57	0,69	0,76	13,3	720	80,7	82,6	83,0	0,49	0,62	0,70	13,2
132	180	740	91,2	91,7	92,2	0,66	0,75	0,81	269	745	91,7	92,2	92,7	0,60	0,71	0,77	257
160	220	743	91,6	92,1	92,6	0,68	0,78	0,81	324	745	92,1	92,6	93,1	0,61	0,73	0,77	311

W22Xec - Standard Efficiency - IE1 ⁽¹⁾

Output		Frame	Full Load Torque (Nm)	Locked Rotor Current I/In	Locked Rotor Torque Tl/Tn	Break-down Torque Tb/Tn	Inertia J (kgm ²)	Allowable locked rotor time (s)		Weight (kg)	Sound dB(A)	400 V						Full load current In (A)	
								Hot	Cold			Efficiency			Power Factor				
												50	75	100	50	75	100		
kW	HP	Rated speed (rpm)																	
X pole - 600 rpm - 50 Hz																			
0,12	0,16	80	2,05	2,8	2,5	2,5	0,0030	45	99	15,5	42,0	560	36,0	39,5	40,0	0,40	0,45	0,52	0,833
0,18	0,25	90S	3,18	2,7	2,0	2,1	0,0046	50	110	19,0	43,0	540	40,0	48,0	48,0	0,39	0,47	0,59	0,917
0,25	0,33	90L	4,34	2,9	2,1	2,2	0,0055	33	73	19,5	43,0	550	39,0	46,0	48,0	0,38	0,47	0,55	1,37
0,37	0,5	100L	6,20	3,2	1,9	2,7	0,0099	45	99	25,5	50,0	570	52,0	61,0	61,0	0,30	0,35	0,42	2,08
0,55	0,75	112M	9,30	3,8	2,3	2,4	0,0165	50	110	30,0	46,0	565	60,0	65,0	65,0	0,36	0,45	0,53	2,30
0,75	1	132S	12,6	5,0	2,0	2,4	0,0444	40	88	40,0	48,0	570	70,0	74,0	74,0	0,40	0,52	0,60	2,44
1,1	1,5	132M	18,4	5,0	2,0	2,3	0,0542	30	66	51,0	48,0	570	75,0	77,0	77,0	0,42	0,54	0,63	3,27
1,5	2	132M	25,4	5,0	1,7	1,9	0,0641	30	66	54,0	48,0	565	71,0	75,0	76,0	0,44	0,56	0,64	4,45
2,2	3	160M	36,6	5,5	2,0	2,5	0,1237	20	44	85,0	51,0	575	77,0	79,0	79,0	0,52	0,65	0,73	5,51
3	4	160M	49,8	5,5	2,2	2,5	0,1502	15	33	105	51,0	575	78,0	79,0	80,0	0,50	0,62	0,72	7,52
4	5,5	180M	65,3	6,2	1,8	2,3	0,2177	23	51	150	54,0	585	84,8	86,4	86,1	0,55	0,68	0,75	8,94
5,5	7,5	180L	89,8	6,5	2,1	2,4	0,2857	27	59	170	54,0	585	85,3	86,9	86,6	0,55	0,67	0,75	12,3
9,2	12,5	225S/M	149	7,2	2,2	2,9	0,5505	24	53	310	56,0	590	86,2	88,7	89,2	0,50	0,62	0,70	21,3
11	15	225S/M	178	6,9	2,0	2,6	0,6193	23	51	330	56,0	590	87,5	89,4	89,6	0,51	0,64	0,70	25,3
15	20	250S/M	245	7,3	1,9	2,9	1,07	21	46	400	56,0	586	87,9	89,3	89,3	0,58	0,68	0,75	32,3
18,5	25	250S/M	302	7,3	1,8	2,9	1,20	21	46	400	56,0	585	88,5	89,8	89,3	0,59	0,70	0,76	39,3
22	30	280S/M	356	6,2	1,6	2,8	2,24	29	64	600	59,0	590	87,5	89,2	89,4	0,56	0,67	0,74	48,0
30	40	280S/M	486	7,2	2,2	2,9	2,70	18	40	700	59,0	590	87,9	89,7	90,2	0,53	0,65	0,72	66,7
37	50	315S/M	596	5,4	1,8	2,1	4,57	30	66	850	62,0	593	91,0	92,0	92,0	0,53	0,65	0,70	82,9
45	60	315S/M	724	6,0	2,0	2,2	5,85	30	66	1100	62,0	594	92,0	92,5	92,5	0,55	0,66	0,72	97,5
55	75	315S/M	886	6,2	1,9	2,3	6,75	30	66	1300	62,0	593	92,0	93,0	93,0	0,50	0,65	0,70	122
75	100	315S/M	1213	5,5	1,8	2,0	8,20	35	77	1580	62,0	591	92,5	93,5	93,5	0,50	0,63	0,70	165
110	150	355M/L	1766	5,6	1,2	1,8	15,5	50	110	1710	70,0	595	93,0	94,0	94,0	0,54	0,64	0,70	241
132	175	355M/L	2120	6,0	1,6	2,2	18,6	30	66	1890	70,0	595	92,5	94,0	94,0	0,53	0,65	0,70	290
150	200	355M/L	2413	6,0	1,4	2,1	19,2	40	88	1950	70,0	594	93,5	94,5	94,5	0,55	0,67	0,71	323
160	220	355M/L	2574	6,0	1,4	2,0	19,8	40	88	2000	70,0	594	93,8	94,6	94,6	0,55	0,65	0,70	349
XII pole - 500 rpm - 50 Hz																			
0,12	0,16	90S	2,41	2,3	1,8	2,0	0,0049	51	112	14,5	43,0	475	26,0	32,0	37,0	0,35	0,40	0,46	1,02
0,18	0,25	90L	3,62	2,3	2,3	2,8	0,0066	45	99	20,0	43,0	475	30,0	36,0	40,0	0,33	0,39	0,45	1,44
0,25	0,33	100L	5,03	2,6	2,0	2,5	0,0099	80	176	25,0	50,0	475	37,0	45,0	49,0	0,27	0,32	0,38	1,94
0,37	0,5	112M	7,44	3,0	2,0	2,3	0,0183	50	110	33,0	46,0	475	42,0	51,0	55,0	0,30	0,38	0,45	2,16
0,55	0,75	132S	10,8	4,1	2,0	2,6	0,0493	60	132	45,0	48,0	485	56,0	63,0	66,0	0,31	0,39	0,48	2,51
0,75	1	132M	14,9	4,1	2,3	2,6	0,0592	50	110	56,0	48,0	480	56,0	63,0	66,0	0,31	0,40	0,48	3,42
1,1	1,5	132M	22,1	4,4	2,3	2,5	0,0740	43	95	70,0	48,0	475	60,0	65,0	68,0	0,32	0,42	0,50	4,67
1,5	2	160M	29,3	3,7	2,0	2,3	0,1149	60	132	98,0	51,0	489	65,0	72,0	74,0	0,35	0,44	0,51	5,74
2,2	3	160L	43,3	3,7	1,8	2,0	0,1325	60	132	100	51,0	485	70,0	74,0	76,0	0,38	0,48	0,55	7,60
3	4	180L	59,1	5,8	2,2	3,0	0,2449	21	46	156	51,0	485	72,0	78,0	80,0	0,45	0,58	0,65	8,33
4	5,5	180L	79,6	5,5	2,2	2,3	0,2857	21	46	168	51,0	480	74,0	79,0	81,0	0,48	0,59	0,66	10,8
5,5	7,5	200L	107	6,0	1,8	3,0	0,3713	26	57	215	53,0	490	75,0	80,0	82,0	0,48	0,60	0,68	14,2
7,5	10	225S/M	146	6,0	2,0	2,9	0,6193	25	55	339	56,0	491	83,0	85,0	86,0	0,40	0,52	0,60	21,0
9,2	12,5	225S/M	179	6,0	1,9	2,5	0,6193	24	53	350	56,0	490	84,0	86,0	87,0	0,44	0,57	0,65	23,5
11	15	250S/M	215	6,5	2,0	2,5	1,20	38	84	440	56,0	490	85,0	87,0	88,0	0,47	0,60	0,67	26,9
15	20	250S/M	294	6,0	1,7	2,6	1,25	29	64	480	56,0	488	85,0	87,0	88,0	0,49	0,61	0,68	36,2
18,5	25	280S/M	361	6,0	2,0	3,3	2,36	25	55	590	59,0	490	84,0	86,0	87,0	0,42	0,54	0,63	48,7
22	30	280S/M	430	5,0	1,4	2,1	2,81	25	55	680	59,0	489	85,0	87,0	88,0	0,42	0,55	0,66	54,7
30	40	315S/M	585	5,0	2,0	2,0	4,59	35	77	1050	62,0	490	85,0	87,0	88,0	0,45	0,58	0,64	76,9
37	50	315S/M	714	5,4	1,8	2,1	5,87	34	75	1120	62,0	495	86,0	88,0	89,0	0,44	0,57	0,65	92,3
45	60	315S/M	877	5,0	1,8	1,9	6,42	20	44	1350	62,0	490	87,0	89,0	90,0	0,45	0,58	0,64	113

Notes:

(1) Efficiency values are given according to IEC 60034-2-1. They are calculated according to indirect method, with stray load losses determined by measurement.

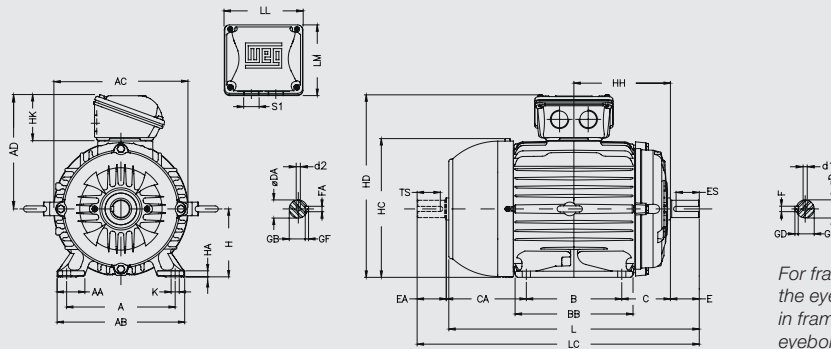
Ex ec IIC T3 Gc / Ex tc IIIB T125°C Dc

Output		380 V								415 V							
		Rated speed (rpm)	% of full load						Full load current In (A)	Rated speed (rpm)	% of full load						Full load current In (A)
			Efficiency			Power Factor					Efficiency			Power Factor			
kW	HP	50	75	100	50	75	100		50	75	100	50	75	100			
X pole - 600 rpm - 50 Hz																	
0,12	0,16	555	38,0	39,5	40,0	0,41	0,47	0,54	0,844	565	33,0	39,5	40,0	0,38	0,44	0,50	0,835
0,18	0,25	535	42,0	48,0	48,5	0,40	0,49	0,60	0,940	545	43,0	48,0	48,5	0,38	0,45	0,54	0,956
0,25	0,33	545	40,0	47,0	49,5	0,39	0,49	0,58	1,32	555	36,0	44,0	47,0	0,37	0,45	0,52	1,42
0,37	0,5	565	55,0	60,0	60,0	0,32	0,40	0,47	1,99	570	52,5	62,0	63,0	0,28	0,34	0,41	1,99
0,55	0,75	560	61,0	66,0	66,0	0,38	0,48	0,56	2,26	570	60,0	65,0	65,0	0,34	0,42	0,50	2,35
0,75	1	570	74,0	76,0	76,0	0,44	0,55	0,64	2,34	575	70,0	74,0	74,0	0,38	0,49	0,57	2,47
1,1	1,5	565	75,0	77,0	77,0	0,46	0,58	0,66	3,29	570	73,0	76,0	76,0	0,40	0,51	0,60	3,36
1,5	2	560	72,5	75,5	76,0	0,47	0,59	0,67	4,48	570	72,0	75,0	77,0	0,41	0,52	0,61	4,44
2,2	3	570	77,0	78,0	78,0	0,55	0,69	0,75	5,71	575	80,0	81,0	81,0	0,50	0,63	0,71	5,32
3	4	570	77,5	79,0	79,5	0,53	0,65	0,73	7,85	575	79,0	80,0	80,0	0,48	0,60	0,70	7,45
4	5,5	580	85,5	86,5	85,5	0,59	0,71	0,77	9,23	585	84,2	86,3	86,3	0,52	0,66	0,74	8,71
5,5	7,5	585	85,9	86,9	86,0	0,58	0,70	0,76	12,7	585	84,8	86,8	86,9	0,52	0,65	0,73	12,1
9,2	12,5	590	87,4	89,2	89,4	0,55	0,67	0,73	21,4	590	85,0	87,9	88,8	0,46	0,58	0,66	21,9
11	15	590	88,4	89,6	89,6	0,55	0,67	0,73	25,6	590	86,5	88,9	89,4	0,46	0,59	0,67	25,5
15	20	585	88,3	89,3	88,9	0,62	0,72	0,77	33,3	588	87,4	89,2	89,5	0,55	0,66	0,73	31,9
18,5	25	585	89,0	89,8	89,0	0,63	0,73	0,78	40,5	586	87,9	89,6	89,4	0,55	0,67	0,74	38,9
22	30	590	87,7	89,2	89,1	0,60	0,70	0,76	49,4	590	87,2	89,2	89,6	0,54	0,65	0,72	47,4
30	40	590	88,3	89,7	89,9	0,57	0,68	0,75	67,6	590	87,5	89,5	90,2	0,51	0,63	0,71	65,2
37	50	593	91,5	91,8	91,8	0,55	0,67	0,74	82,8	594	91,0	92,0	92,0	0,51	0,62	0,69	81,1
45	60	593	92,2	92,0	92,0	0,57	0,68	0,74	100	594	91,5	92,8	92,8	0,53	0,64	0,70	96,4
55	75	592	92,2	92,8	92,8	0,55	0,67	0,72	125	594	91,8	93,2	93,2	0,48	0,62	0,68	121
75	100	590	93,0	93,5	93,5	0,55	0,67	0,73	167	592	92,2	93,5	93,6	0,47	0,60	0,67	166
110	150	594	93,2	94,1	94,0	0,57	0,68	0,72	247	595	93,0	93,9	94,1	0,52	0,62	0,68	239
132	175	594	93,1	94,2	94,2	0,57	0,69	0,73	292	595	92,0	93,7	93,8	0,51	0,62	0,67	292
150	200	593	93,8	94,3	94,4	0,59	0,71	0,73	331	594	93,2	94,5	94,5	0,52	0,64	0,69	320
160	220	593	94,5	94,9	94,8	0,60	0,69	0,73	351	595	93,3	94,3	94,6	0,51	0,61	0,67	351
XII pole - 500 rpm - 50 Hz																	
0,12	0,16	470	28,0	33,5	38,0	0,36	0,41	0,48	1,00	475	25,0	30,5	36,0	0,30	0,38	0,44	1,05
0,18	0,25	473	32,0	38,0	41,5	0,35	0,42	0,47	1,40	477	28,0	34,0	38,5	0,32	0,37	0,43	1,51
0,25	0,33	475	39,0	47,0	50,0	0,28	0,35	0,41	1,85	480	34,5	43,0	47,5	0,26	0,31	0,36	2,03
0,37	0,5	475	44,5	53,0	56,5	0,33	0,40	0,48	2,07	480	40,0	49,0	54,0	0,28	0,36	0,42	2,27
0,55	0,75	480	58,5	65,0	67,0	0,33	0,42	0,51	2,45	485	54,0	61,0	65,0	0,29	0,36	0,45	2,62
0,75	1	475	59,0	65,0	67,5	0,33	0,43	0,51	3,31	480	54,0	61,5	65,0	0,29	0,37	0,45	3,57
1,1	1,5	475	62,5	66,5	69,0	0,34	0,45	0,54	4,49	480	57,5	63,0	67,0	0,29	0,39	0,46	4,97
1,5	2	485	67,0	73,5	75,0	0,37	0,47	0,54	5,63	485	63,5	71,0	73,5	0,32	0,41	0,48	5,91
2,2	3	485	71,5	75,0	76,0	0,41	0,51	0,58	7,58	485	68,5	73,0	75,5	0,35	0,45	0,52	7,80
3	4	485	73,0	78,5	80,0	0,50	0,61	0,67	8,50	490	71,0	77,5	79,5	0,44	0,56	0,63	8,33
4	5,5	480	75,0	79,5	81,0	0,51	0,61	0,68	11,0	485	73,0	78,5	80,5	0,45	0,57	0,64	10,8
5,5	7,5	485	76,5	81,0	81,5	0,50	0,62	0,70	14,6	490	73,5	80,0	82,5	0,45	0,55	0,65	14,3
7,5	10	490	83,5	85,0	86,0	0,42	0,52	0,62	21,4	492	82,0	85,0	86,5	0,37	0,49	0,57	21,2
9,2	12,5	485	84,5	86,0	87,0	0,48	0,60	0,68	23,6	490	82,5	85,0	86,5	0,40	0,53	0,62	23,9
11	15	490	85,5	87,0	88,0	0,51	0,63	0,70	27,1	490	84,0	86,5	87,5	0,44	0,56	0,64	27,3
15	20	485	85,5	87,0	88,0	0,53	0,65	0,71	36,5	488	84,0	86,5	87,5	0,45	0,57	0,65	36,7
18,5	25	485	84,5	86,0	87,0	0,45	0,57	0,66	49,0	490	83,0	85,5	86,5	0,39	0,51	0,60	49,6
22	30	487	85,5	87,0	88,0	0,50	0,63	0,70	54,3	490	84,5	86,5	87,5	0,44	0,57	0,65	53,8
30	40	490	85,5	87,0	88,0	0,48	0,61	0,67	77,3	490	85,0	87,0	88,0	0,42	0,55	0,61	77,7
37	50	495	86,5	88,0	89,0	0,47	0,60	0,68	92,9	495	85,5	87,5	88,5	0,41	0,54	0,62	93,8
45	60	490	87,5	89,0	90,0	0,50	0,62	0,67	113	490	86,5	88,5	90,0	0,42	0,55	0,62	112

6. Mechanical Data

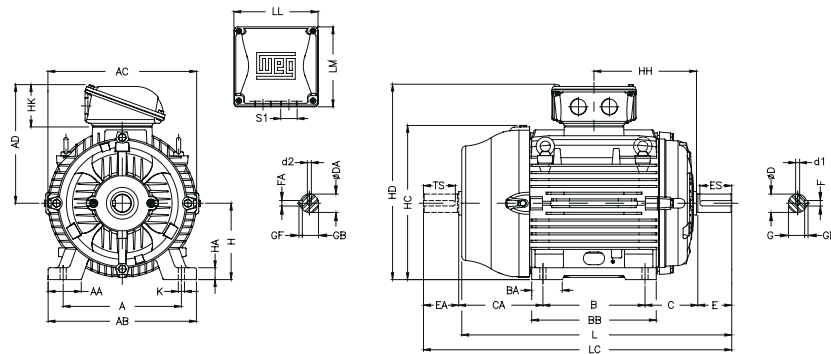
Foot Mounted Motors, Terminal Box Top

Frames 63 to L132M/L

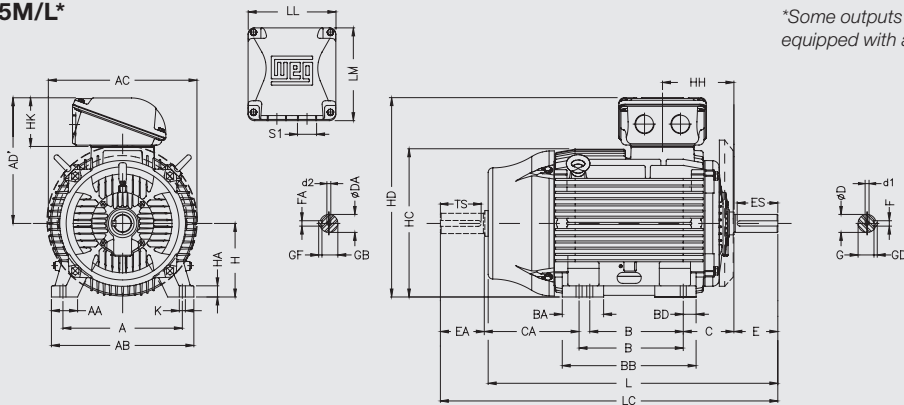


For frames 132S, 132M/L and 132M, the eyebolt will be fitted at 50°. Motors in frame sizes 63 up to 90 do not have eyebolts.

Frames 160M to 200L

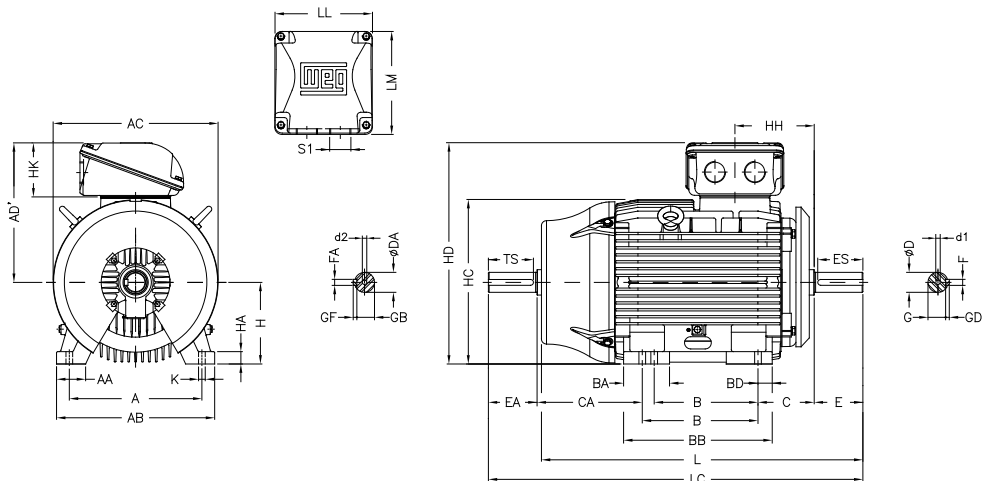


Frames 225 to 355M/L*



**Some outputs in frame sizes 355M/L are equipped with an air deflector at the DE.*

Frame 355A/B



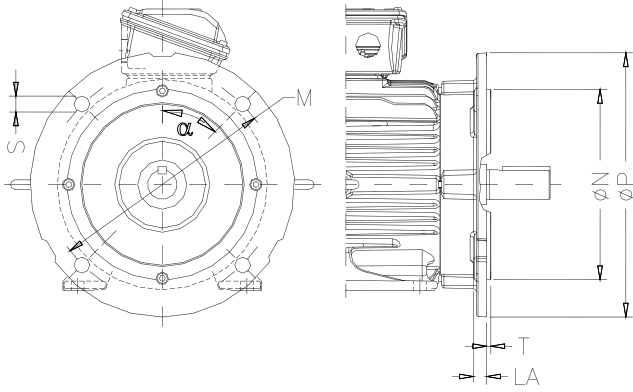
Frame	A	AA	AB	AC	AD	AD'	B	BA	BB	BD	C	CA	DE Shaft end						NDE Shaft end					
													D	E	ES	F	G	GD	DA	EA	FA	TS	GB	GF
63	100	25,5	116	125	123		80		95		40	78	11j6	23	14	4	8,5	4	9j6	20	3	12	7,2	3
71	112	28,5	132	141	131		90		113,5		45	88	14j6	30	18	5	11	5	11j6	23	4	14	8,5	4
80	125	30,5	149	159	140		100		125,5		50	93	19j6	40	28	6	15,5	6	14j6	30	5	18	11	5
L80																								
90S	140	37	164	179	149		125		156		56	104	24j6	50	36	8	20	7	16j6	40	5	28	13	5
L90S																								
90L																								
L90L																								
100L	160	40	188	206	159		140		173		63	118	28j6	60	45	24		22j6	50	6	36	18,5	6	
L100L																								
112M	190	40,5	220	215	192		178		225		89	150	38k6	80	63	10	33		28j6	60	8	45	24	7
L132S																								
132M	216	45,5	248	272	220		178/203		250		108	174	42k6	110	80	12	37		42k6	60	12	37	8	8
L132M/L																								
160M	254	44	292	329	266		210		254		108	174	42k6	110	80	12	37		42k6	60	12	37	8	8
L160L																								
180M	279	57	329	360	281		241		294		121	200	48k6	110	80	14	42,5	9	48k6	110	14	80	42,5	9
L180M																								
180L																								
L180L																								
200L	318	82	385	402	319		305	82	370		133	222	55m6	100	16	49	10	55m6	170	22	160	71	14	
L200L																								
225S/M¹	356	80	436	455		384	286/311	124	412	41	149	319/294	60m6	140	125	18	53	11	60m6	170	22	160	71	14
L225S/M																								
250S/M¹	406	100	506	486		402	311/349	146	467	59	168	354/316	65m6	140	125	18	58	11	60m6	170	22	160	71	14
L250S/M																								
280S/M¹	457		557	599		472	368/419	151	517	49	190	385/334	75m6	170	160	22	71	14	65m6	170	22	160	71	14
L280S/M																								
315S/M¹	508	120	630	657		530	406/457	184	626	70	216	494/443	65m6	170	160	22	71	14	65m6	170	22	160	71	14
L315S/M																								
315L¹	508					576	508	219	752	81	216	502	80m6	170	160	22	71	14	65m6	170	22	160	71	14
L315L¹																								
355M/L¹	610	140	750	736		625	560/630	230	760	65	254	483/413	75m6	140	125	20	67,5	12	60m6	170	22	160	71	14
L355M/L¹																								
355A/B¹	610					710/800	325	965	70		528/438		100m6	210	200	28	90	16	80m6	170	22	160	71	14
L355A/B¹																								

Frame	H	HA	HC	HD	HH	HK	L	LC	LL	LM	S1	K	D1	D2	Bearing	
															DE	NDE
63	63	7	130	186	80	59	216	241	108	98	2xM20x1,5	7	EM4	EM3	6201 ZZ	6201 ZZ
71	71		145	202	90		250	276					DM5	EM4	6202 ZZ	6202 ZZ
80	80	8	163	220	100	59	277	313	108	98	2xM20x1,5	10	DM6	DM5	6204 ZZ	6203 ZZ
L80							301	340								
90S	90	9	182	239	106	59	304	350	108	98	2xM25x1,5	10	DM8	DM6	6205 ZZ	6204 ZZ
L90S							329	375								
90L							118,5									
L90L																
100L	100	10	203	259	133	80	376	431	140	133	2xM32x1,5	12	DM10	DM8	6206 ZZ	6205 ZZ
L100L							414	469							6207 ZZ	6206 ZZ
112M	112		235	304	140	80	452	519	140	133	2xM32x1,5	12	DM12	DM10	6308 ZZ	6207 ZZ
L132S							476	544							6308 ZZ	6207 ZZ
132M	132	16	274	352	178	80	489	557	140	133	2xM32x1,5	12	DM12	DM10	6308 ZZ	6207 ZZ
L132M/L							515	582								
160M	160	17	331	426	213	101	538,5	607	198,5	190	2xM40x1,5	14,5	DM16	DM16	6309 C3	6209 C3
L160L							598	712								
180M	180	19	366	461	241,5	101	642	756	198,5	190	2xM40x1,5	14,5	DM16	DM16	6311 C3	6211 C3
L180M							676	790								
180L							664	782								
L180L							706	824								
200L	200	30	407	519	285,5	119,5	702	820	230	220	2xM50x1,5	18,5	DM20	DM20	6312 C3	6212 C3
L200L							744	862							6314 C3	6314 C3
225S/M¹	225	34	453	609	212	153	856	974	269	285	2xM50x1,5	18,5	DM20	DM20	6314 C3	6314 C3
L225S/M							886	1034								
250S/M¹	250	42	493	648	214	152	965	1113	314	312	2xM63x1,5	24	DM20	DM20	6316 C3	6316 C3
L250S/M							965	1113								
280S/M¹	280		580	752	266	176	1071	1223	379	382	2xM63x1,5	28	DM20	DM20	6316 C3	6314 C3
L280S/M							1071	1223							6319 C3	6316 C3
315S/M¹	315	48	644	845	264	220	1244	1392	404	436	2xM80x2	28	DM24	DM24	6314 C3	6314 C3
L315S/M							1274	1426							6319 C3	6316 C3
315L¹	315				285	220	1355	1506	404	436	2xM80x2	28	DM24	DM24	6314 C3	6314 C3
L315L¹							1385	1536							6319 C3	6316 C3
355M/L¹	355	50	723	975	339	220	1412	1577	404	436	2xM80x2	28	DM24	DM24	6316 C3	6314 C3
L355M/L¹							1482	1677							6322 C3	6319 C3
355A/B¹	355				1083	340	1607	1772	404	436	2xM80x2	28	DM24	DM24	6316 C3	6314 C3
L355A/B¹							1677	1872							6322 C3	6319 C3

Notes:
 (*) Dimension applicable to 2 pole motors.
 (**) All dimensions are in mm.

7. Flange Mounted Motors

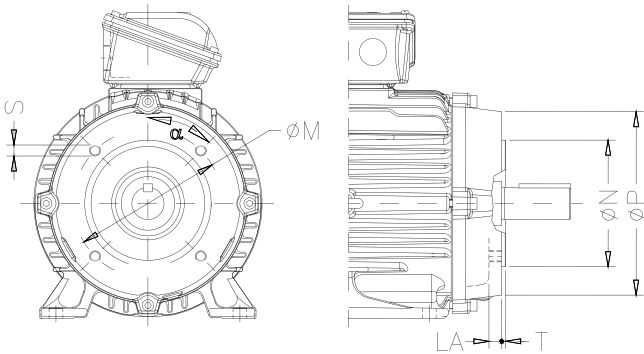
“FF” Flange



Frame	Flange	LA	M	N	P	S	T		N° of holes
63	FF-115	5,5	115	95	140	10	3	45°	4
71	FF-130	9	130	110	160				
80	FF-165		165	130	200	12	3,5		
90		10	215	180	250				
100	FF-215	12,5	215	180	250	15	4		
112	FF-265	12	265	230	300				
160	FF-300	18	300	250	350	19	5		
180		16							
200	FF-350	18	350	300	400				
225	FF-400	18	400	350	450				
250	FF-500	20	500	450	550			24	6
280		18							
315S/M	FF-600	22	600	550	660/780*			22°30'	8
315L		16							
355	FF-740	22	740	680	800/880*				

*Only for motors fitted with air deflector in drive end side.
** Dimensions are in mm.

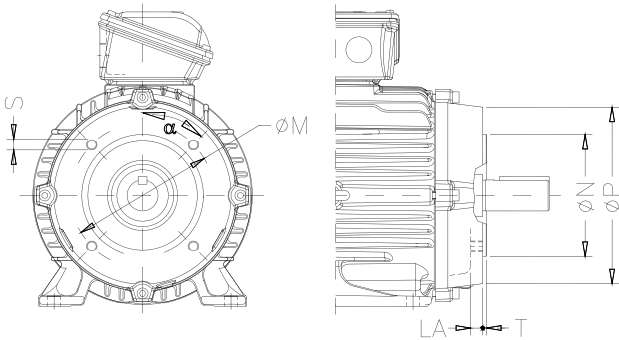
“C-DIN” Flange



Frame	Flange	LA	M	N	P	S	T		N° of holes
63	C-90	9,5	75	60	90	M5	2,5	45°	4
71	C-105	8	85	70	105	M6			
80	C-120	10,5	100	80	120		M8		
90	C-140		115	95	140				
100	C-160	12	130	110	160	3,5			
112		13,5							
132	C-200	15,5	165	130	200	M10			

* Dimensions are in mm.

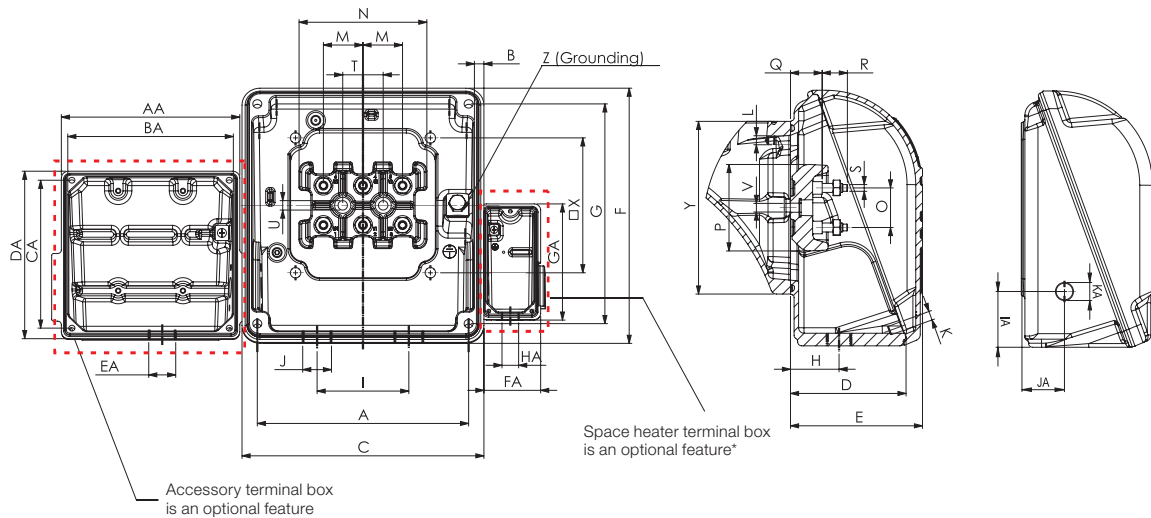
“NEMA C” Flange



Frame	Flange	LA	M	N	P	S	T		N° of holes
63	FC-95	4,5	95,2	76,2	143	UNC 1/4"x20	4	45°	4
71		10							
80		15							
90	12								
100	FC-149	15	149,2	114,3	165	UNC 3/8"x16			
112		12							
132	FC-184	13,5	184,2	215,9	225	UNC 1/2"x13			
160		15,5							
180	FC-228	20	228,6	266,7	280	UNC 5/8"x11	6,3		
200		26							
225	FC-279	25	279,4	317,5	395	UNC 5/8"x11	6,3		
250		25							
280	FC-355	25	355,6	406,4	455	UNC 5/8"x11	22°30'	8	
315S/M		25							
315L	FC-368	18,5	368,3	419,1	455	UNC 5/8"x11			
355M/L		40							

*Dimensions are in mm.

8. Terminal Box Drawings



Frame	A	B	C	D	E	F	G	H	I	J	K	L	M	N	O	P	Q	R	S	T	U	
63	90	3,5	108	51,5	59	98	85	27	42	1xM20x1,5	M5x0,8	M5x0,8	16	75	16	35	13,5	12	M4x0,7	20	5,8	
71										1xM25x1,5												
80										2xM25x1,5												
90																						
100																						
112	117	2,5	140	71	80	133	117	36,5	54	2xM32x1,5	M6x1,0	M6x1,0	23		23	52	17	16	M5x0,8	23	6,5	
132																						
160	175	4	198,5	90	101	190	175	46	84	2xM40x1,5	M8x1,25	M8x1,25	28	90	28	60	21,5	20,5	M6x1	28	6,6	
180																						
200	204	4,5	230	107	119,5	220	204	59	94	2xM50x1,5			35	112	35	74	24	24	M8x1,25	35	9,5	
225S/M	235	12,5	269	133	153	285	260	71	110	2xM63x1,5	M10x1,5	M10x1,5	44	140	44	94	28	28	M10x1,5	45	10,5	
250S/M																						
280S/M																						
315S/M	340	14,5	379	162	176	382	345	78	160	2xM63x1,5	M12x1,75	M12x1,75	45	153	45	108	34	40	M12x1,75	65		
315L																						
355M/L	365		404	202	220	436	390	97	200	2xM63x1,5 (with removable base)	M12x1,75	M14x2,0	65	210	65	146	48	48	M16x2,0	65		
355A/B																						

Frame	V	X	Y	Z	AA	BA	CA	DA	EA	FA	GA	HA	IA	JA	KA	Max number of connectors				
																Main	Accessories	Space heater		
63	M5x0,8	56	77	0,5-6 mm ²	109	90	85	98	M20x1,5	68	101,4	M20x1,5	23	17,5	M20x1,5	4	16	4		
71			78																	
80			81																	
90			77																	
100			81																	
112			107																	
132	103	2-10 mm ²																		
160	M6x1,0	110	140	5,2-25 mm ²	139	117	117	133	M20x1,5	68	M20x1,5	47	40	M20x1,5	12	26	4			
180			155	5,2-35 mm ²																
200	M8x1,25	120	155	5,2-35 mm ²								47	45							
225S/M	M10x1,5	150	192	25-50 mm ²	139	117	117	133	M20x1,5	68	M20x1,5	M20x1,5	62	48	M20x1,5	12	26	4		
250S/M			197																	
280S/M			204																	
315S/M			200																260	35-70 mm ²
315L																				
355M/L			260																300	85-120 mm ²
355A/B												57	95							

Notes:

(*) Space heater terminal box is an optional feature for frame sizes 63 to 112.

(**) Dimensions are in mm.

For WEG's worldwide
operations visit our website



www.weg.net



 +55 47 3276.4000

 motores@weg.net

 Jaraguá do Sul - SC - Brazil

Cod: 50069624 | Rev: 02 | Date (m/a): 09/2021

The values shown are subject to change without prior notice.

The information contained is reference values.