

CPTW Series

Control Power Transformers

Compact and Economical Solutions



www.weg.net | 1-800-ASK-4WEG

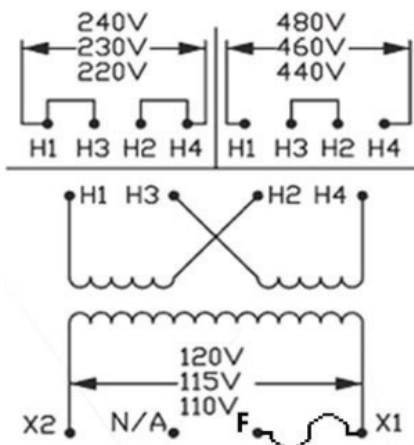
VOLTAGE TABLE

VA	Primary Voltage	Secondary Voltage	Part Number
500	220 x 440, 230 x 460, 240 x 480	110, 115, 120	CPTW500-ARC-F0
Max Depth	Max Width	Max Height	Mounting Depth
5.75"	5.25"	4.66"	4.25"
Mounting Width	Mounting Hole Depth	Mounting Hole Width	Phase
4.38"	0.31"	1.06"	1
Frequency	Shipping Weight	Voltage Group	
50/60 Hz	15.8 lbs.	A	

WEG

▽ R {] ^ \ S a \ a a 0 • ^ A O j a @ a @ A [o s & ~ a ^ a
 ▽ O a a A B I + A A @ A O ^] c O C D A @ } A • ^ A j a • A e ^ A s & ~ a ^ a A C E A @ A H E X O D
 ▽ O a a A F A B A A A @ A P a @ C O D A @ } A • ^ A s [& A A s & ~ a ^ a A F E C A a A A [| ^ • D C E A @ A H E X O D
 ▽ O a a A F B A A A @ A P a @ C O D A @ } A • ^ A s [& A A s & ~ a ^ a A F E C A a A A [| ^ • D C E A @ A H E X O D

DIAGRAM



SPECIFICATIONS

- Class 130°C (266°F) insulation system with 80°C (176°F) temperature rise.
- All transformers up to 750VA come with pre-installed secondary fuse kits, ready to accept 13/32" x 1 1/2" midget or Class CC fuses.
- Two parallel jumper links come standard with transformers with dual primary voltages.
- All transformers up to 3kVA include a built-in mounting adapter for fuse blocks.