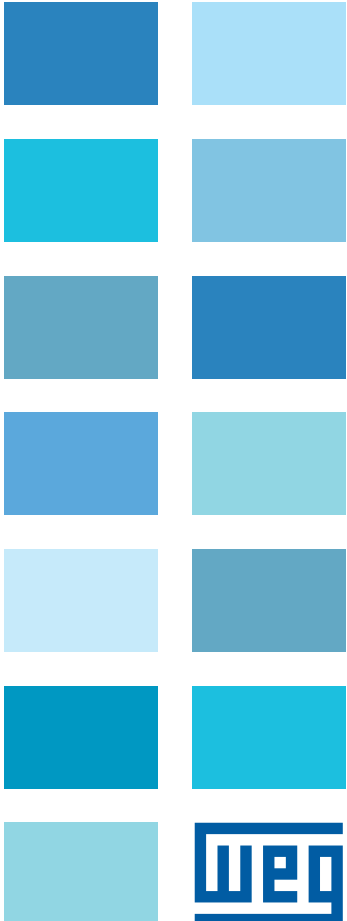
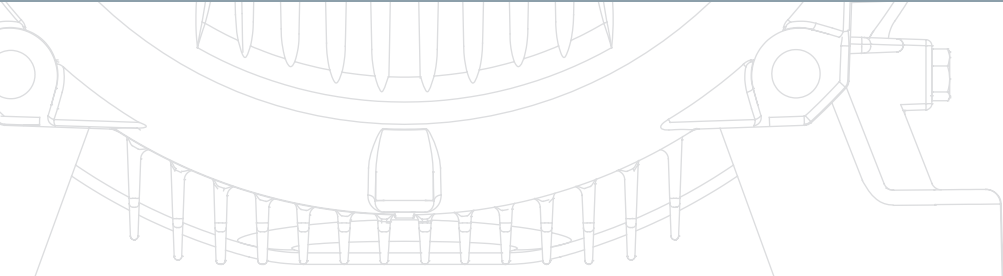
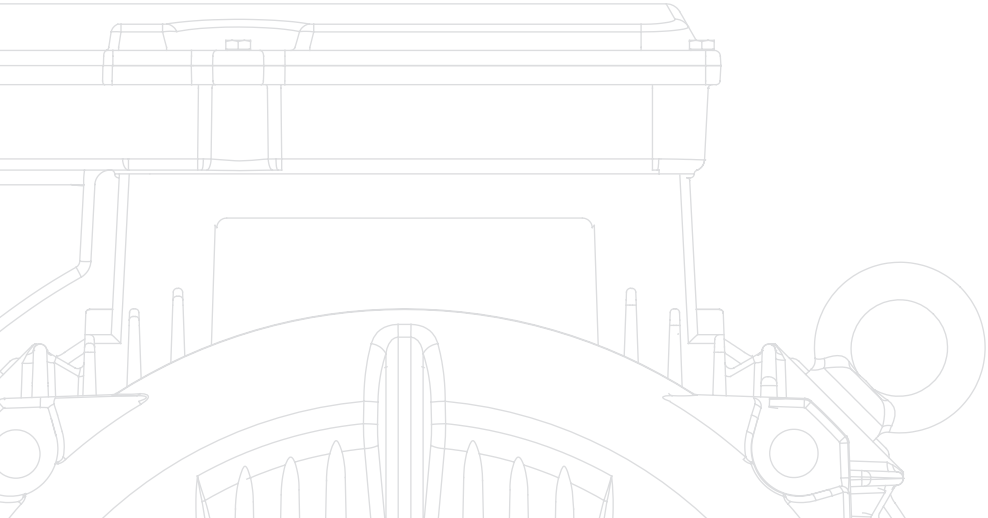


WQuattro

Super Premium Efficiency Motor

- Meets NEMA Premium efficiency level
- Low CO_{2eq} emissions

North American Market



WQuattro

The WQuattro line was developed for users who consider energy saving a priority. The WQuattro is an environmentally friendly motor that due to its very high performance will demand less energy from the grid. That will translate into a low total cost of ownership and the reduction of CO_{2eq} emissions.

WQuattro is a hybrid motor with squirrel cage rotor fitted with high energy permanent magnets making it suitable for direct on line start.

For variable speed applications it can be used with VFD's with scalar control including multiple motors controlled by a single VFD. Super Premium Efficiency and flexibility will guarantee a faster return on investment.

Features

- Rated output 1 up to 10 HP (4 pole) and 1 up to 5 HP (6 pole);
- NEMA Frame 143T to 215T;
- Insulation class F;
- Voltage 230/460 V or 575 V;
- Number of poles 4 and 6;
- Service Factor 1.15 ;
- Color RAL 6021;
- Aluminium squirrel cage rotor and high energy permanent magnets (NdFeB);
- Synchronous speed;
- D.O.L. starting, as an induction motor;
- Suitable for variable speed applications with scalar control;
- W22 mechanical platform;
- Multi-motor VFD operation;
- Maintains efficiency at light loads;
- Meets IE4 efficiency levels (IEC).

Benefits

- Interchangeable with induction motors (same output x frame ratio);
- No need for sensors/encoder in applications with VFD's;
- No need for special protection overload relays;
- Low bearing temperature – extended life time and less maintenance;
- Easy speed synchronization with multiple motors fed by the same VFD.

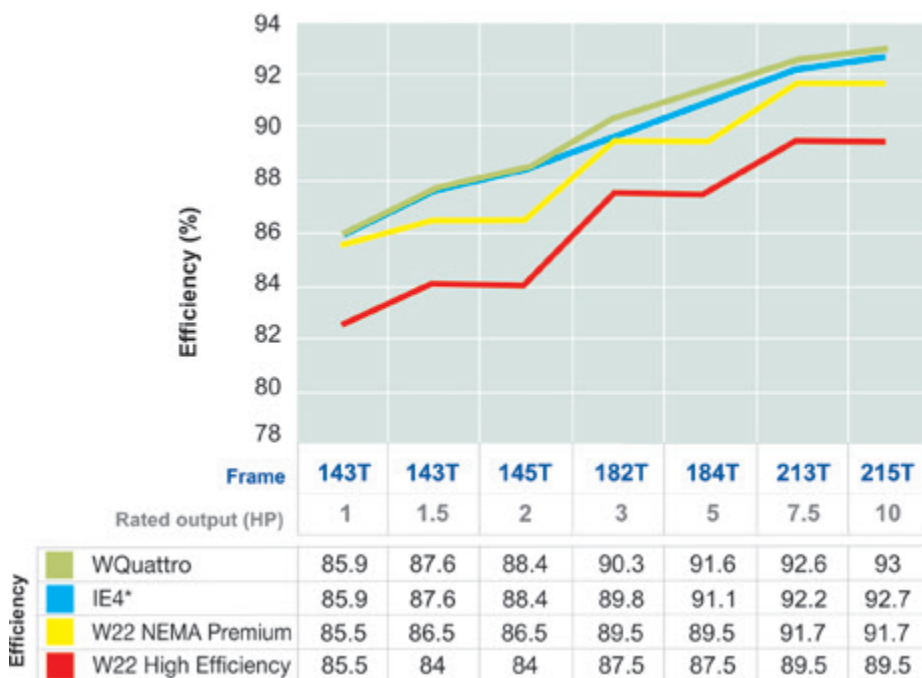
Higher efficiency in the same frame size



NEMA, IEC 60034-30-1:2014 and WEG Comparison

	NEMA	IEC 60034-30	WEG
Super Premium Efficiency	-	IE4*	WQuattro (exceeds IE4)
Premium Efficiency	NEMA Premium	IE3	W22 NEMA Premium
High Efficiency	EPAct	IE2	W22 High Efficiency

Efficiency - 4 poles - 60 Hz

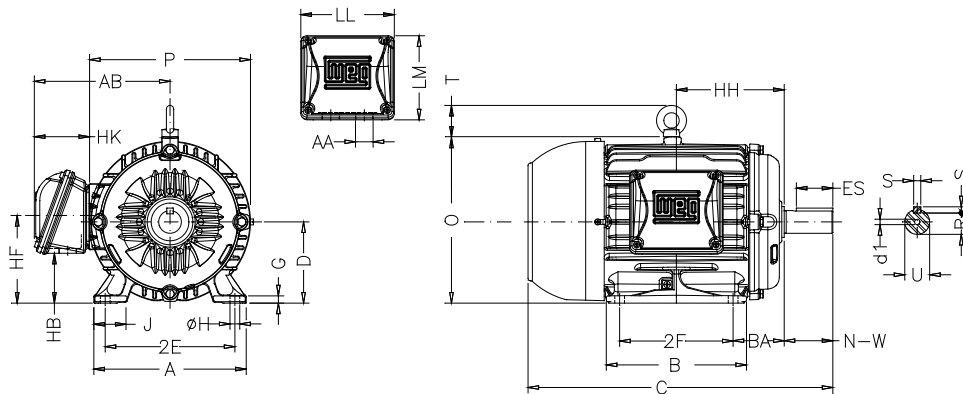


*Upcoming IE4 levels.
Efficiency values shown are according to IEC 60034-30-1.

Electrical Features

Rated Output		Full load speed (rpm)	NEMA Frame	Full load current In (A)			Locked Rotor Current		Full Load Torque Tn (lb.ft)	Locked Rotor Torque Tl/Tn	Break Down Torque Tb/Tn	Efficiency			Power Factor			Moment of Inertia WK ² (lb.ft ²)	Max. Load Inertia (lb.ft ²)	Approx. Weight (lb)	Sound dB(A) (@1m)
HP	kW			230 V	460 V	575 V	(kVA Code)	ll/in				% of full load									
												50	75	100	50	75	100				
1	0.75	1800	143T	2.96	1.48	1.18	M	8.7	2.88	3.8	2.1	76.6	82.1	85.9	0.52	0.66	0.74	0.0942	2.83	30.9	51.0
1	0.75	1200	145T	2.82	1.41	1.13	H	6.2	4.32	2.6	1.8	77.5	83.1	85.4	0.47	0.66	0.78	0.1222	3.67	55.1	49.0
1.5	1.1	1800	143T	4.32	2.16	1.73	L	8.0	4.32	3.5	2.2	80.3	84.5	87.6	0.52	0.65	0.73	0.0992	2.97	35.3	51.0
1.5	1.1	1200	182/4T	3.90	1.95	1.56	H	6.2	6.48	2.4	2.1	81.3	85.8	87.5	0.55	0.71	0.81	0.1799	5.4	83.8	52.0
2	1.5	1800	145T	5.28	2.64	2.11	K	7.9	5.76	3.4	1.7	85.6	88.4	89.0	0.58	0.72	0.80	0.1234	3.7	50.7	51.0
2	1.5	1200	182/4T	5.22	2.61	2.09	G	6.0	8.63	2.2	2.2	83.1	86.8	88.0	0.58	0.73	0.82	0.2029	6.09	88.2	52.0
3	2.2	1800	182/4T	6.72	3.36	2.69	J	8.2	8.63	3.1	2.1	84.5	88.5	90.3	0.67	0.82	0.91	0.2171	6.51	61.7	56.0
3	2.2	1200	213/5T	7.50	3.75	3.00	J	7.4	13.0	3.6	2.2	83.6	88.0	89.9	0.55	0.71	0.82	0.7093	21.3	106	55.0
5	3.7	1800	182/4T	11.0	5.51	4.41	G	7.1	14.4	2.8	2.2	88.5	90.7	91.6	0.74	0.86	0.92	0.3987	7.6	77.2	56.0
5	3.7	1200	213/5T	12.6	6.31	5.05	G	6.2	21.6	3.4	2.2	86.1	89.5	90.8	0.56	0.72	0.81	0.7817	23.4	112	55.0
7.5	5.5	1800	213T	15.1	7.53	6.02	H	8.5	21.6	3.1	2.4	89.0	91.5	92.6	0.86	0.93	0.99	1.14	34.2	141	58.0
10	7.5	1800	213/5T	20.8	10.4	8.32	J	8.6	28.8	3.5	2.2	89.5	92.0	93.0	0.86	0.93	0.97	1.18	35.3	150	58.0

Mechanical Features



Frame	Mounting				A	B	C	D	G	J	O	K	P	T	Keyway		
	2E	2F	H	BA											S	R	ES
143T	5.500	4.000	0.344	2.250	6.457	5.157	12.346	3.500	0.354	1.437	7.122	-	7.047	-	0.187	0.771	1.575
145T		5.000				6.142	13.358										
182T	7.500	4.500	0.406	2.750	8.661	5.945	14.860	4.500	0.394	1.614	9.343	-	8.740	1.772	0.250	0.984	1.969
182/4T		4.500/5.500				6.969	15.860										
184T		5.500															
213T	8.500	5.500	0.406	3.500	9.764	7.362	18.021	5.250	0.669	1.779	10.841	2.165	10.669	-	0.313	1.203	2.480
213/5T		5.500/7.000				8.858	19.517										

Frame	Shaft Extension		Terminal Box								d1	Bearings	
	N-W	U	AB	HB	HF	HH	HK	LL	LM	AA		DE	NDE
143T	2.250	0.875	6.260	1.787	3.500	4.250	2.638	4.258	4.094	NPT3/4"	UNC 5/16"-18	6205-ZZ	6204-ZZ
145T						4.750							
182T	2.750	1.125	7.565	2.236	4.500	5.000	3.150	5.512	5.236	NPT1"	UNC 3/8"-16	6207-ZZ	6206-ZZ
182/4T						5.500							
184T													
213T	3.375	1.375	8.583	2.985	5.250	6.250	-	-	-	-	UNC 1/2"-13	6308-ZZ	6207-ZZ
213/5T						7.000							

WEG Worldwide Operations

ARGENTINA

San Francisco - Cordoba
Phone: +54 3564 421484
info-ar@weg.net

Cordoba - Cordoba
Phone: +54 351 4641366
weg-morbe@weg.com.ar

Buenos Aires
Phone: +54 11 42998000
ventas@pulverlux.com.ar

AUSTRALIA

Scoresby - Victoria
Phone: +61 3 97654600
info-au@weg.net

AUSTRIA

Markt Piesting - Wiener
Neustadt-Land
Phone: +43 2633 4040
watt@wattdrive.com

BELGIUM

Nivelles - Belgium
Phone: +32 67 888420
info-be@weg.net

BRAZIL

Jaraguá do Sul - Santa Catarina
Phone: +55 47 32764000
info-br@weg.net

CHILE

Santiago
Phone: +56 2 27848900
info-cl@weg.net

CHINA

Nantong - Jiangsu
Phone: +86 513 85989333
info-cn@weg.net

Changzhou - Jiangsu
Phone: +86 519 88067692
info-cn@weg.net

COLOMBIA

San Cayetano - Bogota
Phone: +57 1 4160166
info-co@weg.net

ECUADOR

El Batan - Quito
Phone: +593 2 5144339
ceccato@weg.net

FRANCE

Saint-Quentin-Fallavier - Isère
Phone: +33 4 74991135
info-fr@weg.net

GERMANY

Türnich - Kerpen
Phone: +49 2237 92910
info-de@weg.net

Balingen - Baden-Württemberg
Phone: +49 7433 90410
info@weg-antriebe.de

Homberg (Efze) - Hesse
Phone: +49 5681 99520
info@akh-antriebstechnik.de

GHANA

Accra
Phone: +233 30 2766490
info@zestghana.com.gh

INDIA

Bangalore - Karnataka
Phone: +91 80 41282007
info-in@weg.net

Hosur - Tamil Nadu
Phone: +91 4344 301577
info-in@weg.net

ITALY

Cinisello Balsamo - Milano
Phone: +39 2 61293535
info-it@weg.net

JAPAN

Yokohama - Kanagawa
Phone: +81 45 5503030
info-jp@weg.net

MALAYSIA

Shah Alam - Selangor
Phone: +60 3 78591626
info@wattdrive.com.my

MEXICO

Huehuetoca - Mexico
Phone: +52 55 53214275
info-mx@weg.net

Tizayuca - Hidalgo
Phone: +52 77 97963790

NETHERLANDS

Oldenzaal - Overijssel
Phone: +31 541 571080
info-nl@weg.net

PERU

La Victoria - Lima
Phone: +51 1 2097600
info-pe@weg.net

PORTUGAL

Maia - Porto
Phone: +351 22 9477700
info-pt@weg.net

RUSSIA and CIS

Saint Petersburg
Phone: +7 812 363 2172
sales-wes@weg.net

SOUTH AFRICA

Johannesburg
Phone: +27 11 7236000
info@zest.co.za

SPAIN

Coslada - Madrid
Phone: +34 91 6553008
wegiberia@wegiberia.es

SINGAPORE

Singapore
Phone: +65 68589081
info-sg@weg.net

Singapore
Phone: +65 68622220
watteuro@watteuro.com.sg

SCANDINAVIA

Mölnlycke - Sweden
Phone: +46 31 888000
info-se@weg.net

UK

Redditch - Worcestershire
Phone: +44 1527 513800
info-uk@weg.net

UNITED ARAB EMIRATES

Jebel Ali - Dubai
Phone: +971 4 8130800
info-ae@weg.net

USA

Duluth - Georgia
Phone: +1 678 2492000
info-us@weg.net

Minneapolis - Minnesota
Phone: +1 612 3788000

VENEZUELA

Valencia - Carabobo
Phone: +58 241 8210582
info-ve@weg.net

For those countries where there is not a WEG own operation, find our local distributor at www.weg.net.



WEG Group - Motors Business Unit
Jaraguá do Sul - SC - Brazil
Phone: +55 47 3276 4000
motores@weg.net
www.weg.net

