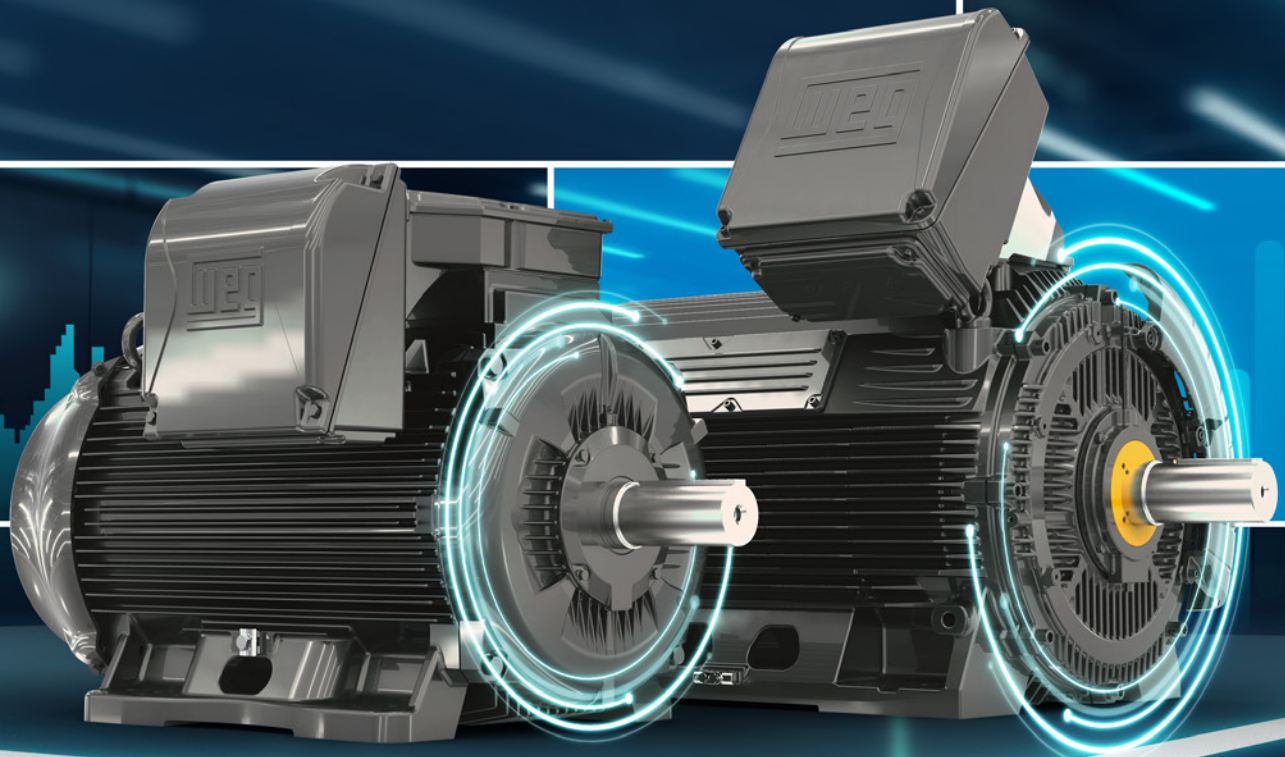


W23 Sync+

**Combining
technologies for
superior efficiency.**



The pursuit for sustainable innovation as well as the quality and trust in everything WEG thinks and does, resulted in the W23 Sync+.

This new WEG's synchronous electric motor line offers the largest range of motors meeting IE5 and anticipated IE6 efficiency levels in the market. With the same power per frame ratio as induction IE3 motors, it is easily interchangeable, besides delivering maximum performance across all speeds, contributing to the CO2 reduction and presenting a much lower total cost of ownership.

Driving efficiency and sustainability



WEG Synchronous motor

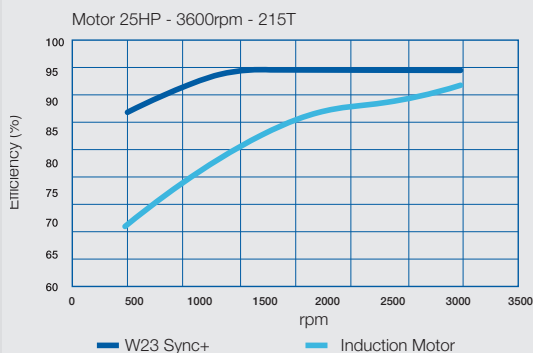
W23 Sync+ motors are at the forefront of efficiency in industry, reaching the highest efficiency levels defined on IEC TS 60034-30-2:2016, and exceeding it for the W23 Sync+ Ultra. The W23 Sync+ motors leads with the widest power and frame range, making this product the perfect fit for any application.

IE5 and beyond
Highest efficiency level



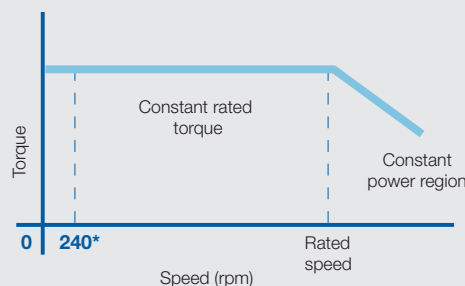
Efficiency x Speed

The motors present superior efficiency regardless of speed or load, saving up to 30% in comparison to induction motors driven by frequency inverters.



Torque x Speed

The motors are suitable to operate in a wide range of speed considering a constant torque and able to run up to 10000rpm* in constant power region.



*for high speed motors, please consult WEG.



Interchangeable
same frame as IE3



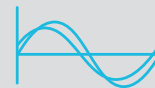
Up to 630 kW



Reduction of carbon footprint



Lower total cost of ownership



Great Power Factor



+55 47 3276.4000

motores@weg.net

Jaraguá do Sul - SC - Brasil