

ERRATA OF THE SSW-06 MANUAL

INTRODUCTION

The information of this errata substitutes the existing information of the user's guide.



NOTE!

This document is valid for the SSW-06 models beginning with the serial number 1010903876. The figures 9.2, 9.3 and 9.4 are corrected (pages 172 and 173).

9.1 REMOTE KEYPAD AND CABLES

a) Keypad Dimensions

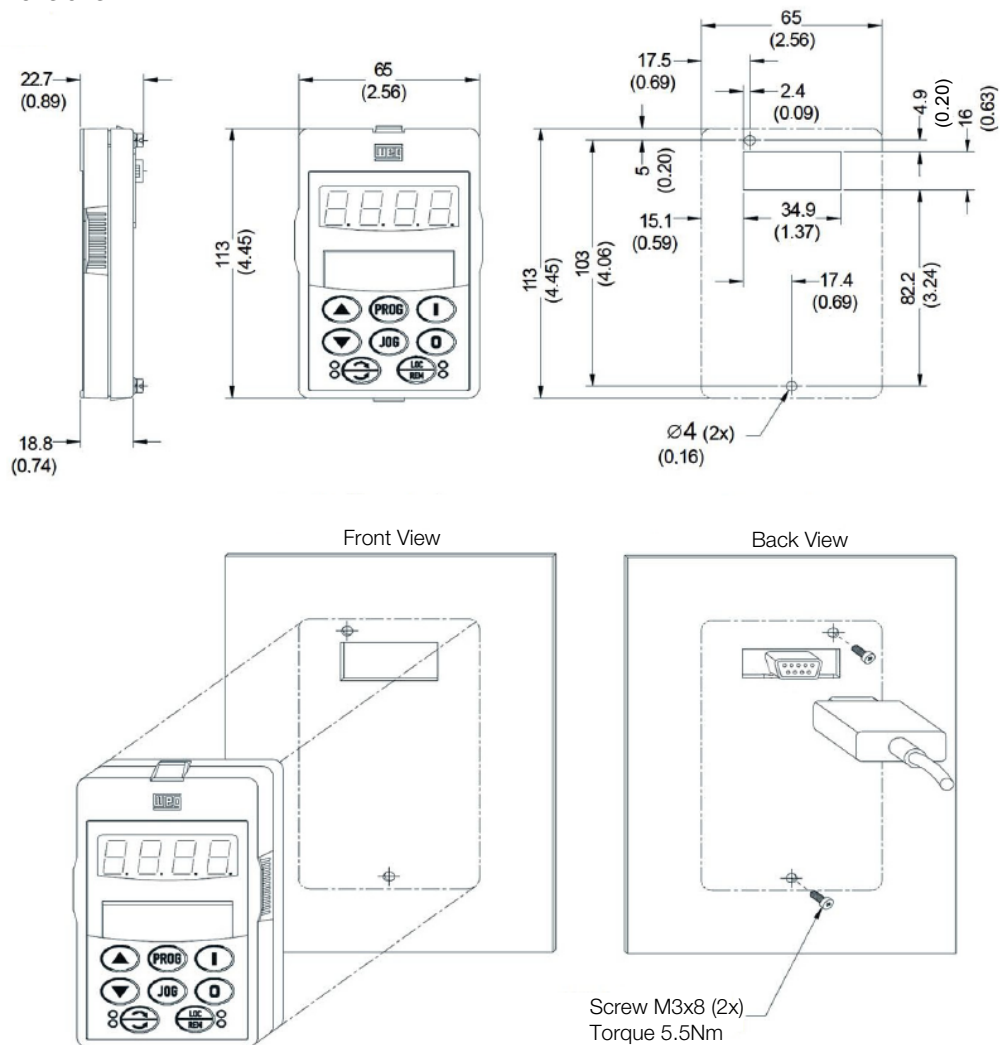


Figure 9.2 - Dimensions in mm (in) and how to install the Keypad directly in the panel without the frame

b) Dimension of frame with Keypad

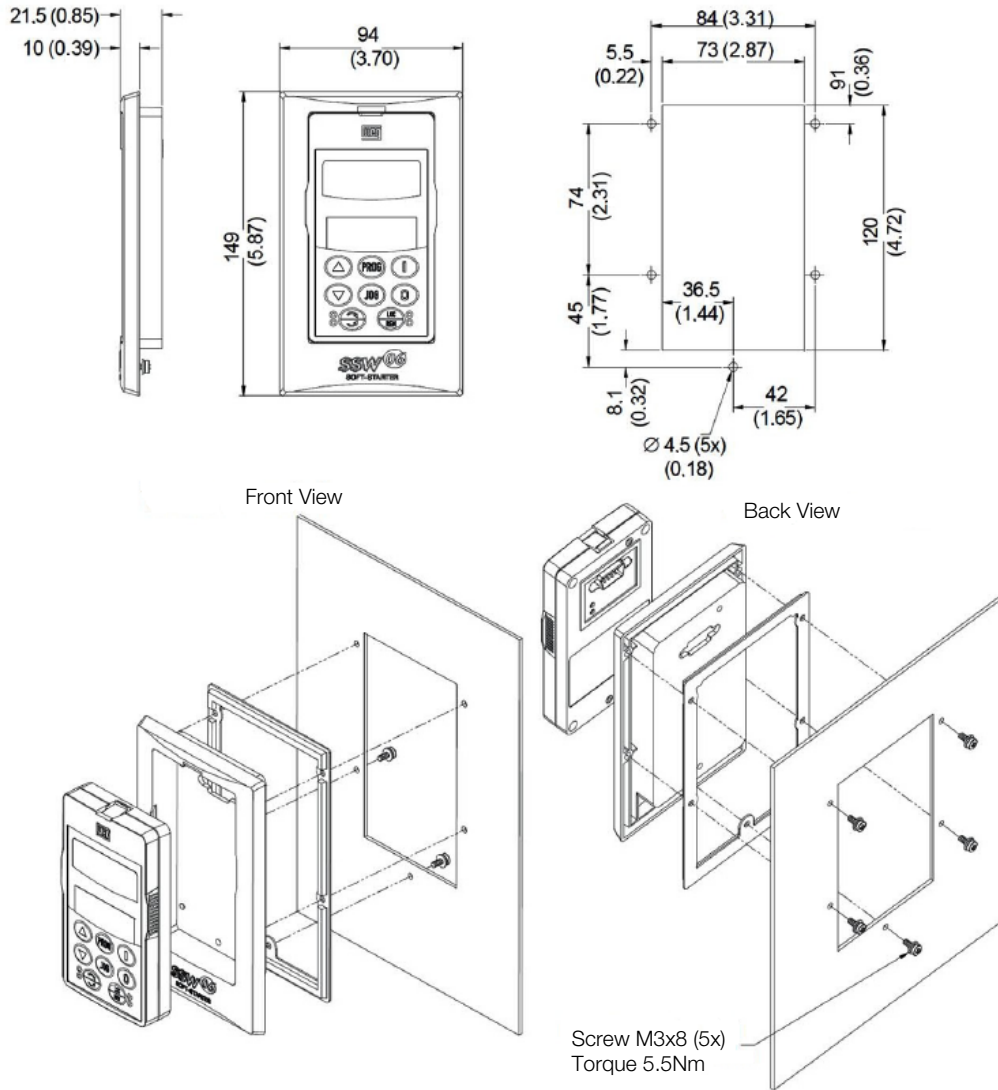


Figure 9.3 - Dimensions in mm (in) and how to install the Keypad in the panel with frame

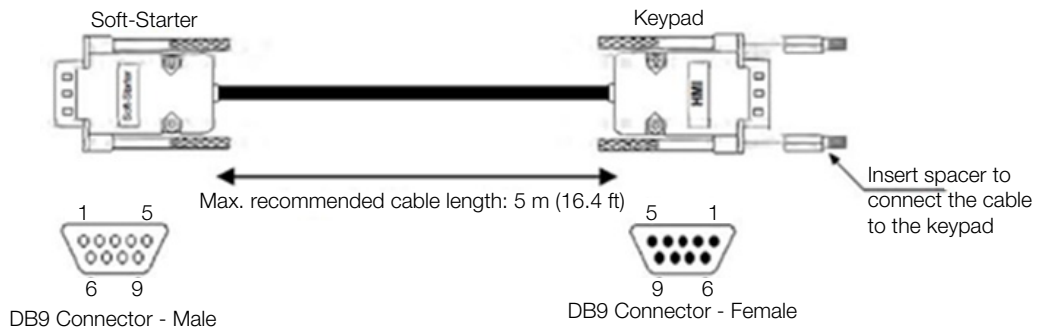


Figure 9.4 - Cable for the remote keypad connection

