

WEG Automation Catalog

Motors

Automation

Energy

Transmission & Distribution

03.Motor Protectors (MPW series)

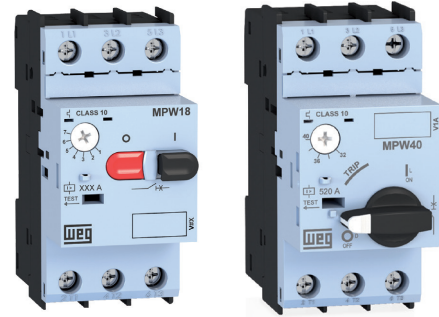
Standard Features.....	93
MPW18 Product Selection and Accessories Summary	94
MPW40 Product Selection and Accessories Summary	96
MPW80 & MPW100 Product Selection and Accessories Summary	99
Type E Controller.....	101
Type F Controller.....	103
Accessories	104
Technical Data.....	111
Dimensions	133

Driving efficiency and sustainability



MPW Series

The WEG MPW Series Manual Motor Protectors provide a very compact solution for operation and protection in motor control applications. The NEC requires four functions to be considered a combination motor starter: Motor Disconnect, Branch Circuit Protection, Motor Controller and Motor Overload Protection. The WEG MPW meets all of these requirements, and the requirements of UL for Self-Protected Motor Controllers to be used in Type-E & F applications. With worldwide approvals the WEG MPW can be used in a variety of applications all over the world.



UL File No. E172121

Standard Features

- High short-circuit interrupting ratings- Up to 65kA @480V
- Phase Loss sensitivity protection
- UL Type-E self-protected combination starter
- Suitable for Motor Disconnect applications
- Group motor installations (per NEC Article 430)
- Wide variety of Accessories
- Rated for DC applications

MPW Catalog Number Sequence

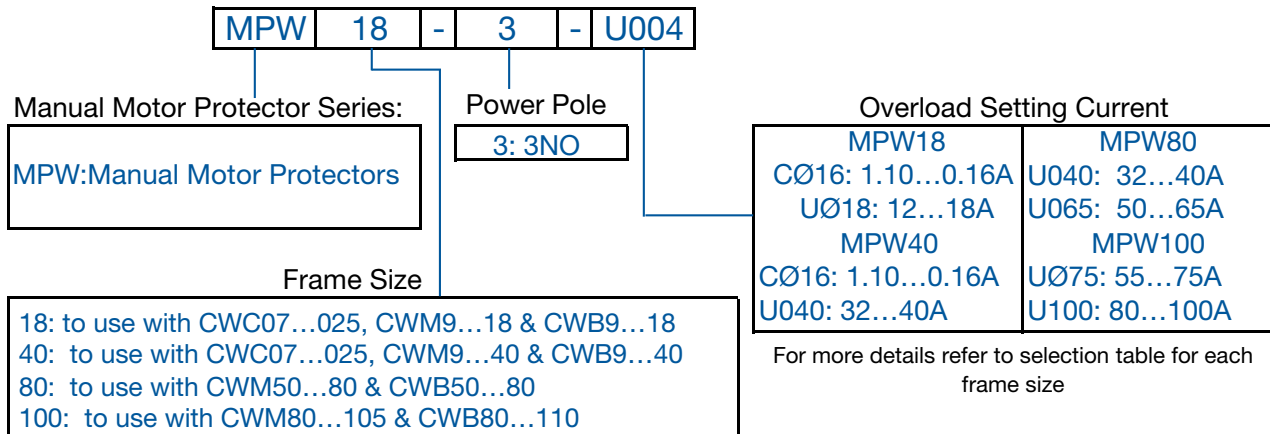
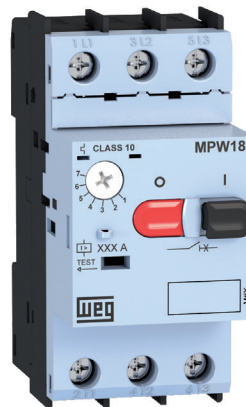


Table intended as reference only and not to create part numbers

- General Information
- Circuit Protection
- Disconnect Switches
- Motor Protectors
- Contactors
- Overloads
- Enclosed Starters
- Electronic Relays
- Pushbuttons and Pilot Lights
- Terminal Blocks
- Power Factor Correction
- Appendix A
- Appendix B
- Appendix C

Motor Protectors

MPW



MPW18 - Product Selection

- Suitable for manual motor controller and group installation
- Built-in protection: disconnect means, short circuit protection, motor control and overload protection
- Short circuit interrupting capacity up to 50kA@480Vac (10kA@600Vac)
- Fixed short circuit release 13 x I_n
- Phase loss sensitivity
- Ambient temperature compensation -40...+140°F (-20...+60°C)

	Maximum UL Horsepower						Thermal Setting [A]	Short-Circuit interruption capacity		Catalog Number	List Price	Multiplier
	Single Phase		Three Phase					480V	600V			
	115V	230V	200V	230V	460V	575V						
	-	-	-	-	-	-	0.10 - 0.16	50kA	10kA	MPW18-3-C016	\$97	Z4
	-	-	-	-	-	-	0.16 - 0.25	50kA	10kA	MPW18-3-C025	\$97	
	-	-	-	-	-	-	0.25 - 0.40	50kA	10kA	MPW18-3-D004	\$97	
	-	-	-	-	-	-	0.40 - 0.63	50kA	10kA	MPW18-3-C063	\$105	
	-	-	-	-	-	1/2	0.63 - 1.0	50kA	10kA	MPW18-3-U001	\$105	
	-	1/10	-	-	3/4	3/4	1.0 - 1.6	50kA	10kA	MPW18-3-D016	\$105	
	-	1/6	1/2	1/2	1	1 1/2	1.6 - 2.5	50kA	10kA	MPW18-3-D025	\$105	
	1/8	1/3	3/4	3/4	2	3	2.5 - 4.0	50kA	10kA	MPW18-3-U004	\$105	
	1/4	1/2	1	1 1/2	3	5	4.0 - 6.3	50kA	10kA	MPW18-3-D063	\$105	
	1/2	1 1/2	2	3	5	7 1/2	6.3 - 10	50kA	5kA	MPW18-3-U010	\$125	
	1	2	3	5	10	10	10 - 16	30kA	5kA	MPW18-3-U016	\$125	
	1	3	5	5	10	15	12-18	30kA	5kA	MPW18-3-U018	\$145	

Note: Horsepower ratings shown in the table are for reference only.
Please refer to the Full Load Amps of the Motor for final selection.

General Information

Circuit Protection

Disconnect Switches

Motor Protectors

Contactors

Overloads

Enclosed Starters

Electronic Relays

Pushbuttons and Pilot Lights

Terminal Blocks

Power Factor Correction

Appendix A

Appendix B

Appendix C

Accessories for MPW18 - Summary

Description	Catalog Number	List Price	Multiplier
Auxiliary Contact Blocks			
1NO&1NC auxiliary contact block front mounting - 250Vmax.	ACBF-11	\$20	Z4
1NO&1NC auxiliary contact block left side mounting - 600Vmax.	ACBS-11	\$22	
2NO Auxiliary contact block left side mounting - 600Vmax.	ACBS-20	\$22	
2NC Auxiliary contact block left side mounting - 600Vmax.	ACBS-02	\$22	
Link Modules			
Mechanical and electrical link module for CWB9...38 AC coil	ECCMP-18B38	\$20	Z4
Mechanical and electrical link module for CWC07...16 AC coil	ECCMP-C016	\$20	
Mechanical and electrical link module for CWC025 miniature contactor series	ECCMP-C025	\$20	
Accessories for Group Motor Installation ¹			
Three Phase Line Side Feeder Terminal	FTBBSP	\$35	Z4
Busbar system 45mm (for 2 MPW without side mounting auxiliary contacts)	BBSP45-2	\$32	
Busbar system 45mm (for 3 MPW without side mounting auxiliary contacts)	BBSP45-3	\$35	
Busbar system 45mm (for 4 MPW without side mounting auxiliary contacts)	BBSP45-4	\$45	
Busbar system 45mm (for 5 MPW without side mounting auxiliary contacts)	BBSP45-5	\$60	
Busbar system 54mm (for 2 MPW with side mounting auxiliary contacts)	BBSP54-2	\$32	
Busbar system 54mm (for 3 MPW with side mounting auxiliary contacts)	BBSP54-3	\$35	
Busbar system 54mm (for 4 MPW with side mounting auxiliary contacts)	BBSP54-4	\$45	
Busbar system 54mm (for 5 MPW with side mounting auxiliary contacts)	BBSP54-5	\$60	
Shroud for unused terminals of BBSP bars	CSDP	\$10 ²	
Under Voltage and Shunt Block Releases			
Shunt release block right side mounting - 20-24V 50/60Hz	SRMP D51	\$56	Z4
Shunt release block right side mounting - 100-127V 50/60Hz	SRMP D59	\$56	
Shunt release block right side mounting - 200-240V 50/60Hz	SRMP D65	\$56	
Under voltage release block right side mounting - 24V 60Hz	URMP V05	\$56	
Under voltage release block right side mounting - 120V 60Hz	URMP V18	\$56	
Under voltage release block right side mounting - 208V 60Hz	URMP V23	\$56	
Under voltage release block right side mounting - 240V 60Hz	URMP V30	\$56	
Under voltage release block right side mounting - 480V 60Hz	URMP V47	\$56	
IEC Enclosures			
IEC IP66 enclosure (non-UL)	PE66GN	\$45	Z4
Other Accessories			
Scale cover protection for the current range adjustment - package with 5 units	SCMP	\$5	Z4
Lugs for panel mounting - package with 2 pieces (one MPW mounting)	PLMP	\$0.50	

Notes: ¹ Maximum Amps of each Busbar system (BBSP) must not be exceeded by adding multiple MPW. Busbar capacity is 63Amps.

² Unit list price. Product sold in multiples of 10 units.

General Information

Circuit Protection

Disconnect Switches

Motor Protectors

Contactors

Overloads

Enclosed Starters

Electronic Relays

Pushbuttons and Pilot Lights

Terminal Blocks

Power Factor Correction

Appendix A

Appendix B

Appendix C

Motor Protectors

MPW

MPW40 - Product Selection

- Suitable for manual motor controller, group installation, tap conductor and combination starters* Type E & Type F
- Built-in protection: disconnect means, short-circuit protection, motor control and overload protection
- Short-circuit interrupting capacity up to 50kA@480Vac (25kA@600Vac)
- Fixed short-circuit release 13 x I_n
- Phase loss sensitivity
- Ambient temperature compensation -4...+140°F (-20...+60°C)



* When associated with line side terminal LST25 and trip indicator TSB

	Maximum UL Horsepower						Thermal Setting [A]	Short-Circuit Ratings for Group Installation		Catalog Number	List Price	Multiplier
	Single Phase		Three Phase					480V	600V			
	115V	230V	200V	230V	460V	575V						
	-	-	-	-	-	-	0.10 - 0.16	50kA	25kA	MPW40-3-C016	\$116	Z4
	-	-	-	-	-	-	0.16 - 0.25	50kA	25kA	MPW40-3-C025	\$116	
	-	-	-	-	-	-	0.25 - 0.40	50kA	25kA	MPW40-3-D004	\$116	
	-	-	-	-	-	1/4	0.40 - 0.63	50kA	25kA	MPW40-3-C063	\$137	
	-	-	-	-	1/2	1/2	0.63 - 1.0	50kA	25kA	MPW40-3-U001	\$137	
	-	1/10	1/4	1/3	3/4	1	1.0 - 1.6	50kA	25kA	MPW40-3-D016	\$137	
	-	1/6	1/2	1/2	1 1/2	1 1/2	1.6 - 2.5	50kA	25kA	MPW40-3-D025	\$137	
	1/8	1/3	3/4	1	2	3	2.5 - 4.0	50kA	25kA	MPW40-3-U004	\$137	
	-	3/4	1 1/2	1 1/2	5	5	4.0 - 6.3	50kA	25kA	MPW40-3-D063	\$137	
	1/2	1 1/2	3	3	7 1/2	10	6.3 - 10	50kA	25kA	MPW40-3-U010	\$137	
	1	3	5	5	10	15	10 - 16	50kA	25kA	MPW40-3-U016	\$150	
	1 1/2	3	5	7 1/2	15	20	16 - 20	50kA	25kA	MPW40-3-U020	\$165	
	2	3	7 1/2	7 1/2	15	20	20 - 25	50kA	25kA	MPW40-3-U025	\$195	
	-	5	10	10	20	25	25 - 32	42kA	25kA	MPW40-3-U032	\$210	
	-	5	10	10	25	30	32 - 40	20kA	--	MPW40-3-U040	\$250	

Note: Horsepower ratings shown in the table are for reference only. Please refer to the Full Load Amps of the Motor for final selection.

General Information

Circuit Protection

Disconnect Switches

Motor Protectors

Contactors

Overloads

Enclosed Starters

Electronic Relays

Pushbuttons and Pilot Lights

Terminal Blocks

Power Factor Correction

Appendix A

Appendix B

Appendix C

MPW40 with current Limiter - Product Selection

- Suitable for manual motor controller, group installation, tap conductor and combination starters* type E & type F
- Built-in protection: disconnect means, short-circuit protection, motor control and overload protection
- Short-circuit interrupting capacity up to 100kA@480Vac (50kA@600Vac)
- Fixed short-circuit release 13 x I_n
- Phase loss sensitivity
- Ambient temperature compensation -4...+140°F (-20...+60°C)



* When associated with line side terminal LST25 and trip indicator TSB

Maximum UL Horsepower						Thermal Setting [A]	Short-Circuit interruption capacity		Individual Component Catalog Number ¹				Multiplier		
Single Phase		Three Phase							480V	600V	Catalog Number	List Price		Catalog Number	List Price
115V	230V	200V	230V	460V	575V										
-	-	-	-	-	-	0.10 - 0.16	100kA	50kA	MPW40-3-C016	\$116	CLT32 MPW40	\$100	Z4		
-	-	-	-	-	-	0.16 - 0.25	100kA	50kA	MPW40-3-C025	\$116	CLT32 MPW40	\$100			
-	-	-	-	-	-	0.25 - 0.40	100kA	50kA	MPW40-3-D004	\$116	CLT32 MPW40	\$100			
-	-	-	-	-	1/4	0.40 - 0.63	100kA	50kA	MPW40-3-C063	\$137	CLT32 MPW40	\$100			
-	-	-	-	1/2	1/2	0.63 - 1.0	100kA	50kA	MPW40-3-U001	\$137	CLT32 MPW40	\$100			
-	1/10	1/4	1/3	3/4	1	1.0 - 1.6	100kA	50kA	MPW40-3-D016	\$137	CLT32 MPW40	\$100			
-	1/6	1/2	1/2	1 1/2	1 1/2	1.6 - 2.5	100kA	50kA	MPW40-3-D025	\$137	CLT32 MPW40	\$100			
1/8	1/3	3/4	1	2	3	2.5 - 4.0	100kA	50kA	MPW40-3-U004	\$137	CLT32 MPW40	\$100			
1/4	3/4	1 1/2	1 1/2	5	5	4.0 - 6.3	100kA	50kA	MPW40-3-D063	\$137	CLT32 MPW40	\$100			
1/2	1 1/2	3	3	7 1/2	10	6.3 - 10	100kA	50kA	MPW40-3-U010	\$137	CLT32 MPW40	\$100			
1	3	5	5	10	15	10 - 16	100kA	50kA	MPW40-3-U016	\$150	CLT32 MPW40	\$100			
1 1/2	3	5	7 1/2	15	20	16 - 20	100kA	50kA	MPW40-3-U020	\$165	CLT32 MPW40	\$100			
2	3	7 1/2	7 1/2	15	20	20 - 25	100kA	50kA	MPW40-3-U025	\$195	CLT32 MPW40	\$100			
-	5	10	10	20	25	25 - 32	100kA	50kA	MPW40-3-U032	\$210	CLT32 MPW40	\$100			

Note: Horsepower ratings shown in the table are for reference only. Please refer to the Full Load Amps of the Motor for final selection.

For components for an E or F style starter see pages 102 and 103.

1) Individual Component Catalog Numbers are ordered separately.

General Information

Circuit Protection

Disconnect Switches

Motor Protectors

Contactors

Overloads

Enclosed Starters

Electronic Relays

Pushbuttons and Pilot Lights

Terminal Blocks

Power Factor Correction

Appendix A

Appendix B

Appendix C

MPW

Accessories for MPW40 - Summary

	Description	Catalog Number	List Price	Multiplier
	Auxiliary Contact Blocks			
	1NO&1NC auxiliary contact block front mounting - 250Vmax.	ACBF-11	\$20	Z4
	1NO&1NC auxiliary contact block left side mounting - 600Vmax.	ACBS-11	\$22	
	2NO Auxiliary contact block left side mounting - 600Vmax.	ACBS-20	\$22	
	2NC Auxiliary contact block left side mounting - 600Vmax.	ACBS-02	\$22	
	Accessories for Combination Type-E Construction			
	Line power terminal	LST25	\$42	Z4
	Trip Signaling and Alarm Contact Block (1NO&1NC for Short-circuit and 1NO&1NC for Overload)	TSB	\$38	
	Current Limiter			
	Current Limiter	CLT32 MPW40	\$100	Z4
	Link Modules			
	Mechanical and electrical link module for CWC07... CWC016 miniature contactor series	ECCMP-C0	\$20	Z4
	Mechanical and electrical link module for CWM9...CWM25 contactor series	ECCMP-25	\$20	
	Mechanical and electrical link module for CWM32...CWM40 contactor series	ECCMP-32	\$25	
	Mechanical and electrical link module for CWB9...CWB38 contactor series	ECCMP-40B38	\$25	
	Mechanical and electrical link module for CWB9...CWB38 DC coil contactor series	ECCMP-40B38DC	\$25	
	Accessories for Group Motor Installation¹			
	Income power terminal for busbar system	FTBBSP	\$35	Z4
	Busbar system 45mm (for 2 MPW without side mounting auxiliary contacts)	BBSP45-2	\$32	
	Busbar system 45mm (for 3 MPW without side mounting auxiliary contacts)	BBSP45-3	\$35	
	Busbar system 45mm (for 4 MPW without side mounting auxiliary contacts)	BBSP45-4	\$45	
	Busbar system 45mm (for 5 MPW without side mounting auxiliary contacts)	BBSP45-5	\$60	
	Busbar system 54mm (for 2 MPW with side mounting auxiliary contacts)	BBSP54-2	\$32	
	Busbar system 54mm (for 3 MPW with side mounting auxiliary contacts)	BBSP54-3	\$40	
	Busbar system 54mm (for 4 MPW with side mounting auxiliary contacts)	BBSP54-4	\$45	
	Busbar system 54mm (for 5 MPW with side mounting auxiliary contacts)	BBSP54-5	\$60	
	Shroud for unused terminals of BBSP bars	CSDP	\$10 ²	
	Through-the-door Rotary Mechanisms			
	Rotary NEMA 1 Through the Door Mechanism - gray/black handle with 130mm shaft	RMMP-130	\$70	Z4
	Rotary NEMA 1 Through the Door Mechanism - yellow/red handle with 130mm shaft	RMMP-130E	\$70	
	Rotary NEMA 1 Through the Door Mechanism - gray/black handle with 330mm shaft	RMMP-330	\$85	
	Rotary NEMA 1 Through the Door Mechanism - yellow/red handle with 330mm shaft	RMMP-330E	\$85	
	Rotary NEMA 4X Through the Door Mechanism - gray/black handle with 130mm shaft	MRX-130	\$105	
	Rotary NEMA 4X Through the Door Mechanism - yellow/red handle with 130mm shaft	MRX-130E	\$105	
	Rotary NEMA 4X Through the Door Mechanism - gray/black handle with 330mm shaft	MRX-330	\$115	
	Rotary NEMA 4X Through the Door Mechanism - yellow/red handle with 330mm shaft	MRX-330E	\$115	
	Under Voltage and Shunt Block Releases			
	Shunt release block right side mounting - 20-24V 50/60Hz	SRMP D51	\$56	Z4
	Shunt release block right side mounting - 100-127V 50/60Hz	SRMP D59	\$56	
	Shunt release block right side mounting - 200-240V 50/60Hz	SRMP D65	\$56	
	Under voltage release block right side mounting - 24V 60Hz	URMP V05	\$56	
	Under voltage release block right side mounting - 120V 60Hz	URMP V18	\$56	
	Under voltage release block right side mounting - 208V 60Hz	URMP V23	\$56	
	Under voltage release block right side mounting - 240V 60Hz	URMP V30	\$56	
	Under voltage release block right side mounting - 480V 60Hz	URMP V47	\$56	
	Mounting adapter			
	Mounting adapter for a D.O.L. assembly with MPW40 and CWM contactors series	MA45DOL	\$40	Z4
	Mounting adapter for a REVERSING assembly with MPW40 and CWM contactors series	MA90RVS	\$50	
	Mounting adapter for a STAR-DELTA assembly with MPW40 and CWM contactors series	MA90SDS	\$85	
	IEC Enclosures			
	IEC IP55 enclosure yellow/red handle (non-UL)	PE55GN-E	\$45	Z4
	IEC IP55 enclosure + lateral auxiliary device yellow/red handle (non-UL)	LPE55GN-E	\$55	
	IEC IP55 enclosure gray/black handle (non-UL)	PE55GN	\$45	
	IEC IP55 enclosure + lateral auxiliary device gray/black handle (non-UL)	LPE55GN	\$55	
	Other Accessories			
	Scale cover protection for the current range adjustment - package with 5 units	SCMP	\$5	Z4
	Lugs for panel mounting - package with 2 pieces (one MPW mounting)	PLMP	\$0.50	

Notes: ¹ Maximum Amps of each Busbar system (BBSP) must not be exceeded by adding multiple MPW. Busbar capacity is 63Amps.

² Unit list price. Product sold in multiples of 10 units.

MPW80 - Product Selection

- Suitable for manual motor controller, group installation, tap conductor and combination starters¹ Type E & Type F
- Built-in protection: disconnect means, short-circuit protection, motor control and overload protection
- Short-circuit interrupting capacity up to 35kA@480Vac (10kA@600Vac)
- Fixed short-circuit release 13 x I_n
- Phase loss sensitivity
- Ambient temperature compensation -4...+140°F (-20...+60°C)

¹ When associated with line side terminal (LST65) and Trip indicator (TSB)



Maximum UL Horsepower						Thermal Setting	Short-Circuit interruption capacity		Catalog Number	List Price	Multiplier
Single Phase		Three Phase					[A]	480V			
115V	230V	200V	230V	460V	575V						
3	7 1/2	-	15	25	30	32 ... 40	35kA	10kA	MPW80-3-U040	\$380	Z4
-	10	15	15	30	40	40 ... 50	35kA	10kA	MPW80-3-U050	\$380	
5	10	20	20	50	60	50 ... 65	35kA	10kA	MPW80-3-U065	\$380	

Note: Horsepower ratings shown in the table are for reference only. Please refer to the Full Load Amps of the Motor for final selection

MPW100 - Product Selection

- Suitable for manual motor controller, group installation, tap conductor and combination starters² type E & type F
- Built-in protection: disconnect means, short-circuit protection, motor control and overload protection
- Short-circuit interrupting capacity up to 50kA@480Vac (10kA@600Vac)
- Fixed short-circuit release 13 x I_n
- Phase loss sensitivity
- Ambient temperature compensation -4...+140°F (-20...+60°C)

² When associated with line side terminal (IB MPW100) and Trip indicator (TSB SC-11 MPW100)



Maximum UL Horsepower						Thermal Setting	Short-Circuit interruption capacity		Catalog Number	List Price	Multiplier
Single Phase		Three Phase					[A]	480V			
115V	230V	200V	230V	460V	575V						
5	15	20	25	50	60	55 ... 75	50kA	10kA	MPW100-3-U075	\$665	Z4
7 1/2	20	25	30	60	75	70 ... 90	50kA	10kA	MPW100-3-U090	\$720	
10	20	30	30	75	100	80 ... 100	50kA	10kA	MPW100-3-U100	\$720	

Note: Horsepower ratings shown in the table are for reference only. Please refer to the Full Load Amps of the Motor for final selection. For components for an E or F style starter see pages 102 and 103.

General Information

Circuit Protection

Disconnect Switches

Motor Protectors

Contactors

Overloads

Enclosed Starters

Electronic Relays

Pushbuttons and Pilot Lights

Terminal Blocks

Power Factor Correction

Appendix A

Appendix B

Appendix C

Motor Protectors

MPW

Accessories for MPW80 - Summary

Description	Catalog Number	List Price	Multiplier
Auxiliary Contact Blocks			
1NO&1NC auxiliary contact block front mounting - 250Vmax.	ACBF-11	\$20	Z4
1NO&1NC auxiliary contact block left side mounting - 600Vmax.	ACBS-11	\$22	
2NO Auxiliary contact block left side mounting - 600Vmax.	ACBS-20	\$22	
2NC Auxiliary contact block left side mounting - 600Vmax.	ACBS-02	\$22	
Accessories for Combination Type-E Construction			
Line power terminal (for MPW80-3-U040 to MPW80-3-U065)	LST65	\$85	Z4
Trip Signaling and Alarm Contact Block (1NO&1NC for Short-circuit and 1NO&1NC for Overload)	TSB	\$38	
Through-the-door Rotary Mechanisms			
Rotary NEMA 4X Through the Door Mechanism - black/red handle with 130mm shaft	MRX65-130	\$120	Z4
Rotary NEMA 4X Through the Door Mechanism - yellow/red handle with 130mm shaft	MRX65-130E	\$120	
Rotary NEMA 4X Through the Door Mechanism - black/red handle with 330mm shaft	MRX65-330	\$130	
Rotary NEMA 4X Through the Door Mechanism - yellow/red handle with 330mm shaft	MRX65-330E	\$130	
Under Voltage and Shunt Block Releases			
Shunt release block right side mounting - 20-24V 50/60Hz	SRMP D51	\$56	Z4
Shunt release block right side mounting - 100-127V 50/60Hz	SRMP D59	\$56	
Shunt release block right side mounting - 200-240V 50/60Hz	SRMP D65	\$56	
Under voltage release block right side mounting - 24V 60Hz	URMP V05	\$56	
Under voltage release block right side mounting - 120V 60Hz	URMP V18	\$56	
Under voltage release block right side mounting - 208V 60Hz	URMP V23	\$56	
Under voltage release block right side mounting - 240V 60Hz	URMP V30	\$56	
Under voltage release block right side mounting - 480V 60Hz	URMP V47	\$56	
Other Accessories			
Scale cover protection for the current range adjustment - package with 5 units	SCMP	\$5	Z4
Lugs for panel mounting - package with 2 pieces (one MPW mounting)	PLMP	\$0.50	

Accessories for MPW100 - Summary

Description	Catalog Number	List Price	Multiplier
Auxiliary Contact Blocks			
1NO&1NC auxiliary contact block front mounting - 250Vmax.	ACBF-11 MPW100	\$35	Z4
1NO&1NC auxiliary contact block left side mounting - 600Vmax.	ACBS-11 MPW100	\$27 ¹	
2NO Auxiliary contact block left side mounting - 600Vmax.	ACBS-20 MPW100	\$27 ¹	
2NC Auxiliary contact block left side mounting - 600Vmax.	ACBS-02 MPW100	\$27 ¹	
Accessories for Combination Type-E Construction			
Insulators	IB MPW100	\$30	Z4
Trip Signaling and Alarm Contact Block (1NO&1NC for Short-circuit and Overload)	TSB-SC-11 MPW100	\$38 ¹	
Through-the-door Rotary Mechanisms			
Rotary NEMA 1 Through the Door Mechanism - gray/black handle with 115mm shaft	MR MPW100-115	\$100	Z4
Rotary NEMA 1 Through the Door Mechanism - gray/black handle with 315mm shaft	MR MPW100-315	\$115	
Rotary NEMA 4X Through the Door Mechanism - gray/black handle with 130mm shaft	MRX100-130	\$130	
Rotary NEMA 4X Through the Door Mechanism - yellow/red handle with 130mm shaft	MRX100-130E	\$130	
Under Voltage and Shunt Block Releases			
Shunt release block right side mounting - 120V 50/60Hz	SRMP V18 MPW100	\$56	Z4
Shunt release block right side mounting - 240-260V 60Hz	SRMP V33 MPW100	\$56	
Under voltage release block right side mounting - 120V 60Hz	URMP V18 MPW100	\$56	
Under voltage release block right side mounting - 240V 60Hz	URMP V33 MPW100	\$56	
Under voltage release block right side mounting - 460V 60Hz	URMP V43 MPW100	\$56	

Notes: ¹ Unit list price. Product sold in multiples of 2 units.

WEG's Self Protected Combination Type-E Motor Controller with Unmatched Features and Benefits

Combination starters are the most common type of packaged motor controllers. They are called combination because of their construction and combined functions required by the US National Electric Code (NEC): Motor Disconnect, Motor Branch Circuit Protection, Motor Controller and Motor Overload Protection. UL1 currently recognizes six different types of combination starters that meet the requirements of a motor branch circuit.

Constructions Types A through D are traditional starters that use either a listed disconnect switch and fuses or a listed circuit breakers as the disconnect means and for short circuit protection. Each type uses a separate UL 508 listed motor controller and overload relay. Recently revisions on UL508 introduced the Type E and Type F starters.

UL Combination Starter Type	Device Used for Component Function			
	Disconnected	Branch Circuit Protection	Motor Controller	Motor OL Relay
A		UL 248 Fuses	UL 508 Magnetic or Solid State Controller	UL 508 Motor Overload Relay
B	UL 98 Manual Disconnect	UL 508 Motor Short Circuit Protector		
C	UL 489 Inverse Time Circuit Breaker			
D	UL 489 Instantaneous Trip Circuit Breaker			
E	UL 508 Self-protected Combination Controller			
F	UL 508 Manual Self-protected Combination Controller	UL 508 Magnetic or Solid State Controller	UL 508 Manual Self-Protected Combination Controller	

Type E starter is a self-protected combination motor controller that combines in a single device all the required functions of a combination starter and eliminates any additional requirements for upstream fuses or circuit breakers. These starters clear faults within their rating without sustaining damage to themselves or the rest of the system, being able to get back into operation. There are two arrangements for a Type E starter: manual (as stand-alone) and associated with a contactor. Both are submitted to the same tests sequences.

Type F starter consists of a listed manual Type E combined with a UL508 listed contactor. The difference between the two types is related to the absence of self-protected characteristic; hence, Type F has softened tests sequences allowing damages on the contactor after a fault.

Tests performed in order to fulfill the Type E requirements are considered the hardest in UL508, including short-circuit and endurance tests on the same sample. As a comparison, UL Type E exceeds the requirements for Type F and IEC60947-4-1 Coordination type 2.

WEG's self-protected combination Type E combines

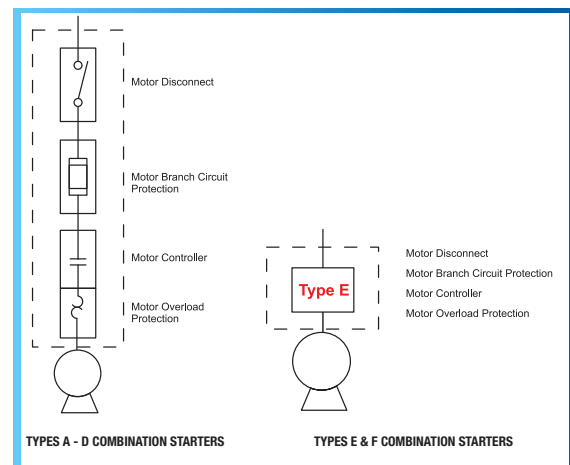
all of these functions within a single product for a manual operation or within a set of two products (with a listed contactor) for a remote operation. Both options must be associated with the accessories Line Side Terminal (LST25) and Tripping Signaling Block (TSB-22) to accomplish UL508/UL489 requirements for spacing (clearance and creepage) and short-circuit indication.

They are recommended for a wide range of applications where full voltage combination starters are required. Some examples are: Pumps, Industrial Washing Machines, Compressors, Blowers, Cutting Machines, Conveyors, Lumber Processing and many others.

The Manual Type E Starter is a stand-alone product – MPW series – that ranges from fractional up to 75Hp@460V motors (0.16 to 100A) with up to 100KA@480V and 50KA@600V interrupting short-circuit capability. Together with some accessories that complete this product line, the MPW series are a compact and reliable solution for starting and protecting motors.

WEG also offers an option for a remote Type E & F Starter, combining the MPW series (as a manual type E) together with a contactor from CWM Series. As this version undergoes the same tests, it has the same horse power ratings and short-circuit capabilities as the manual Type E. However, it provides remote operation and controlling of the application through the contactor's coil.

In addition to its popular line of UL enclosed starters, WEG is also providing a NEMA 4X (IP65) enclosed Type E & F Starter – ESWE & ESWF – featuring as standard a handle for disconnect means through the door and a contactor for remote operation. Provisions for control circuit transformer installation as well as pilot lights are also included.



Motor Protectors

MPW

Manual Self-Protected Combination Motor Controller Type-E

- No need of upstream protective devices such as UL489 MCCB or UL248 fuses
- Built-in protections: disconnect means, short-circuit protection, motor control and over load protection
- Short-circuit interrupting capacity up to 100kA@480Vac (50kA@600Vac)
- Compact combination starter
- Phase loss sensitivity
- Ambient temperature compensation -4...+140°F (-20...+60°C)



High Interruption Capacity

Maximum UL Horsepower							Thermal Setting [A]	Short-Circuit Interruption Capacity 480V	Individual Component Catalog Number ¹				Multiplier
Single Phase		Three Phase				Manual Motor Protector			Line Side Terminal	Tripping Indicator	List Price		
115V	230V	200V	230V	460V	575V								
-	-	-	-	-	-	0.10 - 0.16	65kA	MPW40-3-C016	LST25	TSB	\$192	Z4	
-	-	-	-	-	-	0.16 - 0.25	65kA	MPW40-3-C025	LST25	TSB			
-	-	-	-	-	-	0.25 - 0.40	65kA	MPW40-3-D004	LST25	TSB			
-	-	-	-	-	1/4	0.40 - 0.63	65kA	MPW40-3-C063	LST25	TSB			
-	-	-	-	1/2	1/2	0.63 - 1.0	65kA	MPW40-3-U001	LST25	TSB			
-	1/10	1/4	1/3	3/4	1	1.0 - 1.6	65kA	MPW40-3-D016	LST25	TSB			
-	1/6	1/2	1/2	1 1/2	1 1/2	1.6 - 2.5	65kA	MPW40-3-D025	LST25	TSB			
1/8	1/3	3/4	1	2	3	2.5 - 4.0	65kA	MPW40-3-U004	LST25	TSB			
1/4	3/4	1 1/2	1 1/2	5	5	4.0 - 6.3	65kA	MPW40-3-D063	LST25	TSB			
1/2	1 1/2	3	3	7 1/2	10	6.3 - 10	65kA	MPW40-3-U010	LST25	TSB			
1	3	5	5	10	15	10 - 16	65kA	MPW40-3-U016	LST25	TSB			
1 1/2	3	5	7 1/2	15	20	16 - 20	50kA	MPW40-3-U020	LST25	TSB			
2	3	7 1/2	7 1/2	15	20	20 - 25	50kA	MPW40-3-U025	LST25	TSB			
-	5	10	10	20	25	25 - 32	42kA	MPW40-3-U032	LST25	TSB			
3	7 1/2	-	15	25	30	32 - 40	30kA	MPW80-3-U040	LST65	TSB			
-	10	15	15	30	40	40 - 50	30kA	MPW80-3-U050	LST65	TSB			
5	10	20	20	50	60	50 - 65	30kA	MPW80-3-U065	LST65	TSB			
5	15	20	25	50	60	55 - 75	50kA	MPW100-3-U075	IB MPW100	TSB SC-11 MPW100			
7 1/2	20	25	30	60	75	70 - 90	50kA	MPW100-3-U090	IB MPW100	TSB SC-11 MPW100			
10	20	30	30	75	100	80 - 100	50kA	MPW100-3-U100	IB MPW100	TSB SC-11 MPW100			

Note: Horsepower ratings shown in the table are for reference only. Please refer to the Full Load Amps of the Motor for final selection.

¹ Individual Component Catalog Numbers are ordered separately. Multiplier Z4.

Extra High Interruption Capacity

Maximum UL Horsepower							Thermal Setting [A]	Short-Circuit Interruption Capacity 480V	Individual Component Catalog Number ¹				Multiplier
Single Phase		Three Phase				Manual Motor Protector			Current Limiter	Line Side Terminal	Tripping Indicator	List Price	
115V	230V	200V	230V	460V	575V								
-	-	-	-	-	-	0.10 - 0.16	100kA	MPW40-3-C016	CLT32 MPW40	LST25	TSB	\$292	Z4
-	-	-	-	-	-	0.16 - 0.25	100kA	MPW40-3-C025	CLT32 MPW40	LST25	TSB		
-	-	-	-	-	-	0.25 - 0.40	100kA	MPW40-3-D004	CLT32 MPW40	LST25	TSB		
-	-	-	-	-	1/4	0.40 - 0.63	100kA	MPW40-3-C063	CLT32 MPW40	LST25	TSB		
-	-	-	-	1/2	1/2	0.63 - 1.0	100kA	MPW40-3-U001	CLT32 MPW40	LST25	TSB		
-	1/10	1/4	1/3	3/4	1	1.0 - 1.6	100kA	MPW40-3-D016	CLT32 MPW40	LST25	TSB		
-	1/6	1/2	1/2	1 1/2	1 1/2	1.6 - 2.5	100kA	MPW40-3-D025	CLT32 MPW40	LST25	TSB		
1/8	1/3	3/4	1	2	3	2.5 - 4.0	100kA	MPW40-3-U004	CLT32 MPW40	LST25	TSB		
1/4	3/4	1 1/2	1 1/2	5	5	4.0 - 6.3	100kA	MPW40-3-D063	CLT32 MPW40	LST25	TSB		
1/2	1 1/2	3	3	7 1/2	10	6.3 - 10	100kA	MPW40-3-U010	CLT32 MPW40	LST25	TSB		
1	3	5	5	10	15	10 - 16	100kA	MPW40-3-U016	CLT32 MPW40	LST25	TSB		
1 1/2	3	5	7 1/2	15	20	16 - 20	100kA	MPW40-3-U020	CLT32 MPW40	LST25	TSB		
2	3	7 1/2	7 1/2	15	20	20 - 25	100kA	MPW40-3-U025	CLT32 MPW40	LST25	TSB		
-	5	10	10	20	25	25 - 32	100kA	MPW40-3-U032	CLT32 MPW40	LST25	TSB		

Note: Horsepower ratings shown in the table are for reference only. Please refer to the Full Load Amps of the Motor for final selection.

¹ Individual Component Catalog Numbers are ordered separately. Multiplier Symbol Z4.

Combination Motor Controller Type-F

- No need of upstream protective devices such as UL489 MCCB or UL248 fuses
- Built-in protections: disconnect means, short-circuit protection, motor control and overload protection
- Short-circuit interrupting capacity up to 100kA@480Vac (50kA@600Vac)
- Compact combination starter
- Phase loss sensitivity
- Ambient temperature compensation -4...+140°F (-20...+60°C)
- Remote operation



(5)

High interruption capacity

Maximum UL Horsepower						Thermal Setting [A]	Short-Circuit Interruption Capacity 480V	Individual Component Catalog Number ¹					
Single Phase		Three Phase						Manual Motor Protector	Line Side Terminal	Tripping Indicator	Connector Module	List Price ²	Contactor
115V	230V	200V	230V	460V	575V								
-	-	-	-	-	-	0.10 - 0.16	65kA	MPW40-3-C016	LST25	TSB	ECCMP-40B38	\$221	CWB9
-	-	-	-	-	-	0.16 - 0.25	65kA	MPW40-3-C025	LST25	TSB	ECCMP-40B38		CWB9
-	-	-	-	-	-	0.25 - 0.40	65kA	MPW40-3-D004	LST25	TSB	ECCMP-40B38		CWB9
-	-	-	-	-	1/4	0.40 - 0.63	65kA	MPW40-3-C063	LST25	TSB	ECCMP-40B38	\$242	CWB9
-	-	-	-	1/2	1/2	0.63 - 1.0	65kA	MPW40-3-U001	LST25	TSB	ECCMP-40B38		CWB9
-	1/10	1/4	1/3	3/4	1	1.0 - 1.6	65kA	MPW40-3-D016	LST25	TSB	ECCMP-40B38		CWB9
-	1/6	1/2	1/2	1 1/2	1 1/2	1.6 - 2.5	65kA	MPW40-3-D025	LST25	TSB	ECCMP-40B38	\$255	CWB9
1/8	1/3	3/4	1	2	3	2.5 - 4.0	65kA	MPW40-3-U004	LST25	TSB	ECCMP-40B38		CWB9
1/4	3/4	1 1/2	1 1/2	5	5	4.0 - 6.3	65kA	MPW40-3-D063	LST25	TSB	ECCMP-40B38		CWB9
1/2	1 1/2	3	3	7 1/2	10	6.3 - 10	65kA	MPW40-3-U010	LST25	TSB	ECCMP-40B38	\$270	CWB9
1	3	5	5	10	15	10 - 16	65kA	MPW40-3-U016	LST25	TSB	ECCMP-40B38		CWB18
1 1/2	3	5	7 1/2	15	20	16 - 20	50kA	MPW40-3-U020	LST25	TSB	ECCMP-40B38		CWB18
2	3	7 1/2	7 1/2	15	20	20 - 25	42kA	MPW40-3-U025	LST25	TSB	ECCMP-40B38	\$300	CWB25
-	5	10	10	20	25	25 - 32	42kA	MPW40-3-U032	LST25	TSB	ECCMP-40B38		CWB32
3	7 1/2	-	15	25	30	32 - 40	30kA	MPW40-3-U040	LST65	TSB	ECCMP-80B80		CWB50
-	10	15	15	30	40	40 - 50	30kA	MPW80-3-U050	LST65	TSB	ECCMP-80B80	\$503	CWB65
5	10	20	20	50	60	50 - 65	30kA	MPW80-3-U065	LST65	TSB	ECCMP-80B80		CWB80
5	15	20	25	50	60	55 - 75	50kA	MPW100-3-U075	IB MPW100	TSB SC-11 MPW100	-----		CWM95
7 1/2	20	25	30	60	75	70 - 90	50kA	MPW100-3-U090	IB MPW100	TSB SC-11 MPW100	-----	\$708	CWM95
10	20	30	30	75	100	80 - 100	50kA	MPW100-3-U100	IB MPW100	TSB SC-11 MPW100	-----		CWM105

Note: Horsepower ratings shown in the table are for reference only. Please refer to the Full Load Amps of the Motor for final selection.

¹ Individual Component Catalog Numbers are ordered separately.

² Multiplier Symbol Z4

³ Multiplier Symbol ZB

⁴ CWM Multiplier Symbol Z1M

⁵ For Link Module, see accessories

Extra-High interruption capacity

Maximum UL Horsepower						Thermal Setting [A]	Short-Circuit Interruption Capacity 480V	Individual Component Catalog Number ¹						
Single Phase		Three Phase						Manual Motor Protector	Current Limiter	Line Side Terminal	Connector Module	Tripping Indicator	List Price ²	Contactor
115V	230V	200V	230V	460V	575V									
-	-	-	-	-	-	0.10 - 0.16	100kA	MPW40-3-C016	CLT32 MPW40	LST25	ECCMP-40B38	\$321	CWB9	
-	-	-	-	-	-	0.16 - 0.25	100kA	MPW40-3-C025	CLT32 MPW40	LST25	ECCMP-40B38		TSB	CWB9
-	-	-	-	-	-	0.25 - 0.40	100kA	MPW40-3-D004	CLT32 MPW40	LST25	ECCMP-40B38		TSB	CWB9
-	-	-	-	-	1/4	0.40 - 0.63	100kA	MPW40-3-C063	CLT32 MPW40	LST25	ECCMP-40B38	\$342	CWB9	
-	-	-	-	1/2	1/2	0.63 - 1.0	100kA	MPW40-3-U001	CLT32 MPW40	LST25	ECCMP-40B38		TSB	CWB9
-	1/10	1/4	1/3	3/4	1	1.0 - 1.6	100kA	MPW40-3-D016	CLT32 MPW40	LST25	ECCMP-40B38		TSB	CWB9
-	1/6	1/2	1/2	1 1/2	1 1/2	1.6 - 2.5	100kA	MPW40-3-D025	CLT32 MPW40	LST25	ECCMP-40B38	\$355	CWB9	
1/8	1/3	3/4	1	2	3	2.5 - 4.0	100kA	MPW40-3-U004	CLT32 MPW40	LST25	ECCMP-40B38		TSB	CWB9
1/4	3/4	1 1/2	1 1/2	5	5	4.0 - 6.3	100kA	MPW40-3-D063	CLT32 MPW40	LST25	ECCMP-40B38		TSB	CWB9
1/2	1 1/2	3	3	7 1/2	10	6.3 - 10	100kA	MPW40-3-U010	CLT32 MPW40	LST25	ECCMP-40B38	\$370	CWB9	
1	3	5	5	10	15	10 - 16	100kA	MPW40-3-U016	CLT32 MPW40	LST25	ECCMP-40B38		TSB	CWB18
1 1/2	3	5	7 1/2	15	20	16 - 20	100kA	MPW40-3-U020	CLT32 MPW40	LST25	ECCMP-40B38		TSB	CWB18
2	3	7-1/2	7-1/2	15	20	20 - 25	100kA	MPW40-3-U025	CLT32 MPW40	LST25	ECCMP-40B38	\$400	CWB25	
-	5	10	10	20	25	25 - 32	100kA	MPW40-3-U032	CLT32 MPW40	LST25	ECCMP-40B38		TSB	CWB32

Note: Horsepower ratings shown in the table are for reference only. Please refer to the Full Load Amps of the Motor for final selection.

¹ Individual Component Catalog Numbers are ordered separately.

² Multiplier Symbol Z4

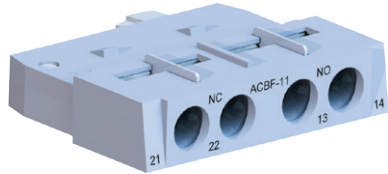
³ Multiplier Symbol Z1B

MPW

Accessories

Front Mounting Auxiliary Contact Block - ACBF

For use with	Auxiliary Contacts		Catalog Number	List Price	Multiplier
	NO	NC			
MPW18 MPW40 ¹ MPW80			ACBF-11	\$20	Z4
MPW100	1	1	ACBF-11 MPW100	\$35	Z4



Left side Auxiliary Contact Block - ACBS

For use with	Auxiliary Contacts		Catalog Number	List Price	Multiplier
	NO	NC			
MPW18 MPW40 ¹ MPW80 ¹	1	1	ACBS-11	\$22	Z4
	2	-	ACBS-20		
	-	2	ACBS-02		
MPW100	1	1	ACBS-11 MPW100	\$27²	Z4
	2	-	ACBS-20 MPW100		
	-	2	ACBS-02 MPW100		



Note:

¹ The following accessories can be assembled at the same time: 1 ACBF + 1 URMP/SRMP + 1 TSB or 1 ACBS + 1 URMP/SRMP + 1 TSB

² Unit list price. Product sold in multiples of 2 units

General Information

Circuit Protection

Disconnect Switches

Motor Protectors

Contactors

Overloads

Enclosed Starters

Electronic Relays

Pushbuttons and Pilot Lights

Terminal Blocks

Power Factor Correction


Appendix A

Appendix B


Appendix C

Accessories

Trip Signalling Block - TSB

For use with		Description	Catalog Number	List Price	Multiplier
MPW40 ¹ MPW80 ¹		<ul style="list-style-type: none"> - Equipped with 2 auxiliary contacts (1NO + 1NC) for overload trip signalling and 2 other auxiliary contacts (1NO + 1NC) for short-circuit trip signalling. - To reset the MPW after a short-circuit, the blue flag must be manually reset after the cause of the failure has been solved. - Left side auxiliary contacts can be assembled together with the trip signalling block. - Left side assembly only 	TSB	\$38	Z4
MPW100		<ul style="list-style-type: none"> - Equipped with 2 auxiliary contacts (1NO + 1NC) for short-circuit trip signalling. - Left side assembly only 	TSB SC-11 MPW100	\$38²	Z4

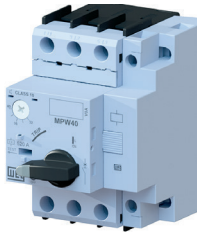
Undervoltage Release - URMP

For use with		Voltage	Catalog Number	List Price	Multiplier
MPW18 ¹ MPW40 ¹ MPW80 ¹		208V 60Hz 24V 50/60Hz 400-415V 50Hz / 480V 60Hz 110V 50Hz / 120V 60Hz 240V 60Hz	URMP V23 URMP D02 URMP V47 URMP V18 URMP V30	\$56	Z4
MPW100		Note: - Operating voltage > 0.85 x Ue - Non operating voltage 0.35...0,7 x Ue	110V 50Hz / 120V 60Hz 220-230V 50Hz / 240V 60Hz 380-400V 50Hz / 460V 60Hz	URMP V18 MPW100 URMP V33 MPW100 URMP V43 MPW100	\$56

Note: ¹ The following accessories can be assembled at the same time: 1 ACBF + 1 URMP/SRMP + 1 TSB or 1 ACBS + 1 URMP/SRMP + 1 TSB

² Unit list price. Product sold in multiples of 2 units

Shunt Release - SRMP

For use with		Voltage	Catalog Number	List Price	Multiplier
MPW18 ¹ MPW40 ¹ MPW80 ¹		20-24V 50/60Hz 100-127V 50/60Hz 200-240V 50/60Hz	SRMP D51 SRMP D59 SRMP D65	\$56	Z4
MPW100		Note: - Operating voltage > 0.7 x Ue	110V 50Hz / 120V 60Hz 220-230V 50Hz / 240-260V 60Hz	SRMP V18 MPW100 SRMP V33 MPW100	\$56

Note: ¹ The following accessories can be coupled at the same time:
 1 ACBF + 1 URMP/SRMP + 1 TSB or 1 ACBS + 1 URMP/SRMP + 1 TSB

General Information

Circuit Protection

Disconnect Switches

Motor Protectors

Contactors

Overloads

Enclosed Starters

Electronic Relays

Pushbuttons and Pilot Lights

Terminal Blocks

Power Factor Correction

Appendix A

Appendix B

Appendix C

MPW

Accessories

Connector Links for Motor Protectors MPW18/40 & Contactors CWC/CWM

For use with		Description	Contactors	Catalog Number	List Price	Multiplier
MPW18		- For direct connection (electrical and mechanical) of motor circuit breakers to contactors. Note: - Not applicable to CWM contactors with DC coils.	CWC07...16 CWC025	ECCMP-C016 ECCMP-C025	\$20	Z4
MPW40			CWC07...16 CWM9...25 CWM32...40	ECCMP-C0 ECCMP-25 ECCMP-32		

Connector Links for Motor Protectors MPW18/40/80 & Contactors CWB

For use with		Description	Contactors	Catalog Number	List Price	Multiplier
MPW18		For direct connection (electrical and mechanical) of motor circuit breakers to contactors.	CWB9...38 AC coil	ECCMP-18B38	\$20	Z4
MPW40			CWB9...38 AC coil	ECCMP-40B38	\$25	
			CWB9...38 DC coil	ECCMP-40B38DC		
MPW80			CWB40...80 AC/DC coil	ECCMP-80B80	\$95	

Standard IEC Enclosure - CE only (not UL)

For use with		Description	Terminals	Handle color	Catalog Number	List Price	Multiplier
MPW18		- Degree of protection: IP66 - Two cable entry knockouts, top and bottom - Allows installing: MPW18 + ACBF11/PL lamps + ACBS	With neutral and ground terminals	-	PE66GN	\$45	Z4
MPW40		- Degree of protection: IP55 - Allows installing: MPW40 + ACBF11/PL lamps + ACBS - Two cable entry knockouts, top and bottom - Handle can be locked with up to 3 padlocks at OFF position.	With neutral and ground terminals	Black	PE55GN	\$45	
				Red with yellow background	PE55GN-E	\$45	Z4

General Information

Circuit Protection

Disconnect Switches

Motor Protectors

Contactors

Overloads

Enclosed Starters

Electronic Relays

Pushbuttons and Pilot Lights

Terminal Blocks

Power Factor Correction

Appendix A

Appendix B

Appendix C

Accessories

Through-the-door Rotary Handle - RMMP and MRX

For use with		Description	Handle color	Catalog Number	Price List	Multiplier
MPW40		<ul style="list-style-type: none"> - Degree of protection IP55/NEMA1; - Shows MPW position "I"(ON) or "O"(OFF); - Panel door can only be opened in OFF position; - Adjustable shaft length. There are 2 standard shaft sizes: 130-155mm (Model 130) and 330-355mm (Model 330). To assemble the handle on the MPW the shaft must have a length of at least 80mm; - Up to 3 padlocks can be used in the OFF position. This blocks MPW operation and panel door opening; - Handle can be mounted on panels with thickness of 1 to 5mm; - Handle can be assembled even with MPW turned in 90° position 	Gray/Black	RMMP-130	\$70	
				RMMP-330	\$85	
			Red/Yellow	RMMP-130E	\$70	
				RMMP-330E	\$85	
MPW100		<ul style="list-style-type: none"> - Degree of protection NEMA1; - Shows MPW position "I"(ON) or "O"(OFF); - Panel door can be opened at ON position (thermometry) by defeating mechanism; - Adjustable shaft length. There are 2 standard shaft sizes: 115mm (Model 115) and 315mm (Model 315). To assemble the handle to the MPW, the shaft must have a min. length of at least 80mm; - Up to 3 padlocks can be used in the OFF position. This blocks the MPW operation and opens panel door. 	Gray/Black	MR MPW100-115	\$100	Z4
			Gray/Black	MR MPW100-315	\$115	
MPW40		<ul style="list-style-type: none"> - Panel door can be opened in ON position (thermometry) by defeating mechanism. - Degree of protection: IP65/NEMA 4X - Shows MPW position "I"(ON) or "O"(OFF) - Adjustable shaft length. There are 2 standard shaft sizes: 130-155mm (Model 130) and 330-355mm (Model 330). To assemble the handle ON the MPW the shaft must have a length of at least 80mm - Up to 3 padlocks can be used in the OFF position. This blocks MPW operation and opens panel door. Handle can be mounted on panels with thickness of 1 to 5mm 	Gray/Black	MRX-130	\$105	
			MRX-330	\$115		
MPW80			Red/Yellow	MRX-130E	\$105	
				MRX-330E	\$115	
MPW100			Gray/Black	MRX65-130	\$120	
			Red/Black	MRX65-330	\$130	
			Red/Yellow	MRX65-130E	\$120	
	MRX65-330E	\$130				
	Gray/Black	MRX100-130	\$130			
	Red/Yellow	MRX100-130-E	\$130			

General Information

Circuit Protection

Disconnect Switches

Motor Protectors

Contactors

Overloads

Enclosed Starters

Electronic Relays

Pushbuttons and Pilot Lights

Terminal Blocks

Power Factor Correction

Appendix A

Appendix B


Appendix C

Motor Protectors


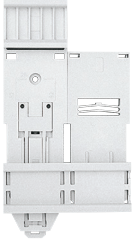
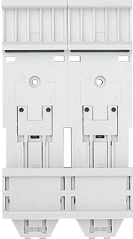
MPW

Accessories

Large IEC Enclosure - LPE55

For use with		Description	Terminals	Handle color	Catalog Number	List Price	Multiplier
MPW40		<ul style="list-style-type: none"> - Degree of protection: IP55 - For use with MPW40 + URMP/SRMP + ACBF11 + ACBS + PL lamps - Two cable entry knockouts. top and bottom - Handle can be locked with up to 3 padlocks at OFF position. 	With neutral and ground terminals	Black	LPE55GN	\$55	Z4
				Red with yellow background	LPE55GN-E		

Manual Motor Protector mounting adapter - MA

For use with	MPW40	Description	Contactors	Catalog Number	List Price	Multiplier
MPW40		Used for direct on line starters 45mm width	CWC07...25 CWM9...CWM25 CWB9...CWB38	MA45DOL	\$40	Z4
MPW40		Used for reversing starters 90mm width	2 x CWC07...25 2x CWM9...CWM25 2x CWB9...CWB38	MA90RVS	\$50	
MPW40		Used for star-delta motor starters 90mm width	2 x CWC07...25 2x CWM9...CWM25 2x CWB9...CWB38	MA90SDS	\$85	

General Information

Circuit Protection

Disconnect Switches

Motor Protectors

Contactors

Overloads

Enclosed Starters

Electronic Relays

Pushbuttons and Pilot Lights

Terminal Blocks

Power Factor Correction


Appendix A

Appendix B




Appendix C

Accessories

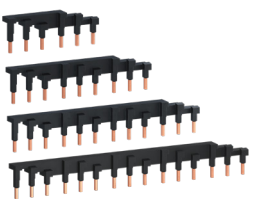
Insulators - IB

For use with		Description	Catalog Number	List Price	Multiplier
MPW100		Plastic Insulators for increasing creepage distance and clearances according to UL requirements.	IB MPW100	\$30	Z4

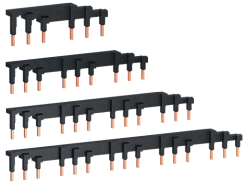
Three-phase feeder terminal – FTBBSP, LST25, and LST65

For use with		Description	Catalog Number	List Price	Multiplier
MPW18 MPW40		- For feeding the feeder terminals; - Rated insulation voltage: 690VAC; - I _e : 63A; - Terminals: 6-25mm ² rigid wire and 6-16mm ² flexible wire with terminal.	FTBBSP	\$35	Z4
MPW40		- Block module for “Type E” Combination motor Controller” in accordance with UL (LST25+MPW+TSB); - Rated insulation voltage: 690VAC; - I _e : 63A. - Terminals: 8-20AWG.	LST25	\$42	
MPW80		- Block module for “Type E” according to UL (LST65+MPW up to 65A+TSB); - Rated insulation voltage: 690 VAC; - Rated operational current (I _e): 120A; - Terminals: 4-8 AWG	LST65	\$85	

Three-phase feeder terminals for MPW without side auxiliary contacts – BBSP45

For use with		Description	Numbers of MPW	Catalog Number	List Price	Multiplier
MPW18 MPW40		- For parallel blocking of side-by-side mounted circuit breakers with screw terminal of the same model without side auxiliary contacts; - Enables the use of frontal auxiliary contact block ACBF-11; - Rated insulation voltage: 690 VAC; - Rated operational current (I _e): 63 A.	2	BBSP45-2	\$32	Z4
			3	BBSP45-3	\$35	
			4	BBSP45-4	\$45	
			5	BBSP45-5	\$60	

Three-phase feeder terminals for MPW with side auxiliary contacts – BBSP54

For use with		Description	Numbers of MPW	Catalog Number	List Price	Multiplier
MPW18 MPW40		- For parallel connection of circuit breakers with screw terminals of the same model mounted side-by-side; - Enables the use of side auxiliary contact block ACBS and ACBF mounted on each motor protective circuit breaker; - Rated insulation voltage: 690 VAC; - Rated operational current (I _e): 63 A.	2	BBSP54-2	\$32	Z4
			3	BBSP54-3	\$35	
			4	BBSP54-4	\$45	
			5	BBSP54-5	\$60	


- General Information
- Circuit Protection
- Disconnect Switches
- Motor Protectors
- Contactors
- Overloads
- Enclosed Starters
- Electronic Relays
- Pushbuttons and Pilot Lights
- Terminal Blocks
- Power Factor Correction
- Appendix A
- Appendix B
- Appendix C

Motor Protectors


MPW

Accessories


Current Limiter - CLT32

For use with	Description	Catalog Number	List Price	Multiplier
MPW40	 <p>- For protecting electrical circuits where extra high short-circuit breaking capacity is required: 100kA @ 480VAC</p> <p>Note: This accessory must be used together with a MPW motor protector.</p>	CLT32 MPW40	\$100	Z4


Shroud for unused terminals – CSDP

For use with	Description	Catalog Number	List Price	Multiplier
BBSP45 BBSP54	 <p>Protection against direct contact on unused terminals on energized BBSP45 and BBSP54 three-phase feeder terminals.</p>	CSDP	\$10 ¹	Z4

Scale Cover - SCMP

For use with	Description	Catalog Number	List Price	Multiplier
MPW18 MPW40 MPW80	 <p>Protects the current adjustment dial against direct contact while enabling the set current to be viewed.</p>	SCMP	\$5	Z4

Push-in-lugs - PLMP

For use with	Description	Catalog Number	List Price	Multiplier
MPW18 MPW40 MPW80	 <p>For direct assembly of motor protective circuit breaker onto any surface using screws.</p>	PLMP	\$0.50	Z4

Notes: ¹ Unit list price. Product sold in multiples of 10 units.

General Information

Circuit Protection

Disconnect Switches

Motor Protectors

Contactors

Overloads

Enclosed Starters

Electronic Relays

Pushbuttons and Pilot Lights

Terminal Blocks

Power Factor Correction

Appendix A

Appendix B

Appendix C

MPW18 Technical Data

General Ratings

Model	Units	MPW18-3-C016	MPW18-3-C025	MPW18-3-D004	MPW18-3-C063	MPW18-3-U001	MPW18-3-D016	MPW18-3-D025
Standards		Devices according to International Standards IEC 60947-1 / 60947-4-1, European Standards EN 60947-1 / 60947-4-1, Underwriters Laboratories - UL 508; CSA C.22.2/14; VDE 0660/102						
Current Setting Range	[A]	0.10 - 0.16	0.16 - 0.25	0.25 - 0.40	0.40 - 0.63	0.63 - 1.0	1.0 - 1.6	1.6 - 2.5
Rated Thermal Current Ith	[A]	0.16	0.25	0.40	0.63	1.0	1.6	2.5
Rated Insulation Voltage Ui								
Acc. IEC; VDE 0660	[V]	690						
Acc. UL; CSA	[V]	600						
Rated Operating Voltage Ue								
Acc. IEC; VDE 0660	[V]	690						
Acc. UL; CSA	[V]	600						
Rated Impulse Voltage Uimp								
Acc. IEC60947-1	[kV]	6						
Rated Operating Frequency	[Hz]	50/60						
Overvoltage Category		III						
Pollution Degree		3						
Utilization Category								
IEC 60947-2 (Motor Protector)		A						
IEC 60947-4-1 (Motor Starter)		AC-3						
Lifespan								
Mechanical	[ops.]	100,000						
Electrical (Ie max.)	[ops.]	100,000						
Switching Rate (motor starts)	AC-3 [ops/hr]	15						
Ambient Temperature								
Storage	[°C (°F)]	-50 to +80 (-58 to +176)						
Operating	[°C (°F)]	-20 to +60 (-4 to +140)						
Ambient Temperature Compensation	[°C (°F)]	-20 to +60 (-4 to +140)						
Climatic Proofing		IEC 60068-2-3 / IEC 60068-2-30						
Altitude								
Up to 2,000m (6,600ft)		Nominal Values (for higher altitudes refer to page 127)						
Degree of protection		IP20						
Resistance to Shock								
Acc. IEC 60068-2-27	[g]	15						
Resistance to Vibration		IEC 68-2						
Protection against direct contact								
Acc. IEC 536; DIN VDE 0106 Part 100		Finger and back of hand proof						
Phase Failure Sensitivity Protection		Yes						
Overload Protection Characteristics	x Iu [A]	0.6 - 1						
Magnetic Release	x Iu [A]	13						
Overload Trip Class		10						
Total Power Loss Pv								
At rated load operating temperature	[W]	6	6	6	6	6	6	6
Weight	[kg]	0.30						
	[lb]	0.70						
Type of Terminal		Flat Type						
Screw Driver		Philips #2						
Terminal Capacity								
Solid - Stranded	[mm ²] [AWG]	Refer to table on page 126						
Tightening Torque	N.m) lb.in	1.2 - 1.7 (11 - 16)						
Mounting Position		Any Position						

UL File No. E172121

MPW

MPW18 Technical Data

General Ratings

TYPE	Units	MPW18-3-U004	MPW18-3-D063	MPW18-3-U010	MPW18-3-U016	MPW18-3-U018
Standards						
Devices according to International Standards IEC 60947-1 / 60947-4-1, European Standards EN 60947-1 / 60947-4-1, Underwriters Laboratories - UL 508; CSA C.22.2/14; VDE 0660/102						
Current Setting Range	[A]	2.5 - 4.0	4.0 - 6.3	6.3 - 10	10 - 16	12-18
Rated Thermal Current Ith	[A]	4.0	6.3	10	16	18
Rated Insulation Voltage Ui						
Acc. IEC; VDE 0660	[V]	690				
Acc. UL; CSA	[V]	600				
Rated Operating Voltage Ue						
Acc. IEC; VDE 0660	[V]	690				
Acc. UL; CSA	[V]	600				
Rated Impulse Voltage Uimp						
Acc. IEC60947-1	[kV]	6				
Rated Operating Frequency	[Hz]	50/60				
Overvoltage Category		III				
Pollution Degree		3				
Utilization Category						
IEC 60947-2 (Motor Protector)		A				
IEC 60947-4-1 (Motor Starter)		AC-3				
Lifespan						
Mechanical	[ops.]	100,000				
Electrical (le max.)	[ops.]	100,000				
Switching Rate (motor starts)	AC-3 [ops/hr]	15				
Ambient Temperature						
Storage	[oC (oF)]	-50 to +80 (-58 to +176)				
Operating	[oC (oF)]	-20 to +60 (-4 to +140)				
Ambient Temperature Compensation	[oC (oF)]	-20 to +60 (-4 to +140)				
Climatic Proofing		IEC 60068-2-3 / IEC 60068-2-30				
Altitude						
Up to 2,000m (6,600ft)		Nominal Values (for higher altitudes refer to page 127)				
Degree of protection		IP20				
Resistance to Shock						
Acc. IEC 60068-2-27	[g]	15				
Resistance to Vibration		IEC 68-2				
Protection against direct contact						
Acc. IEC 536; DIN VDE 0106 Part 100		Finger and back of hand proof				
Phase Failure Sensitivity Protection		Yes				
Overload Protection Characteristics	x Iu [A]	0.6 - 1				
Magnetic Release	x Iu [A]	12				
Overload Trip Class		10				
Total Power Loss Pv						
At rated load operating temperature	[W]	6	6	6	6	6
Weight	[kg]	0.3				
	[lb]	0.7				
Type of Terminal		Flat Type				
Screw Driver		Phillips #2				
Terminal Capacity						
Solid - Stranded	[mm ²] [AWG]	Refer to table on page 126				
Tightening Torque	N.m) lb.in	1.2 - 1.7 (11 - 16)				
Mounting Position		Any Position				

MPW18 Technical Data

Power Contact Ratings

TYPE UL/CSA DATA	Voltage	Units	MPW18- 3-C016	MPW18- 3-C025	MPW18- 3-D004	MPW18- 3-C063	MPW18- 3-U001	MPW18- 3-D016	MPW18- 3-D025		
Rated Operational Current I _e		[A]	0.16	0.25	0.40	0.63	1.0	1.6	2.5		
Magnetic Release Current		[A]	2	3	5	8	13	21	33		
Max. Short Circuit Current											
	480V	[kA]	50								
	600V	[kA]	10								
Motor Load, 1-phase											
	115V	[HP]	-	-	-	-	-	-	-		
	230V	[HP]	-	-	-	-	-	1/10	1/6		
Motor Load, 3-phase											
	200V	[HP]	-	-	-	-	-	1/4	1/2		
	230V	[HP]	-	-	-	-	-	1/3	1/2		
	460V	[HP]	-	-	-	-	1/2	3/4	1 1/2		
	575V	[HP]	-	-	-	1/4	1/2	1	1 1/2		
Max. Rated Current of Protection Device for Group Installation											
	Fuse or MCCB	[A]	125	125	125	125	125	125	125		

- General Information
- Circuit Protection
- Disconnect Switches
- Motor Protectors
- Contactors
- Overloads
- Enclosed Starters
- Electronic Relays
- Pushbuttons and Pilot Lights
- Terminal Blocks
- Power Factor Correction
- Appendix A
- Appendix B
- Appendix C

MPW

MPW18 Technical Data

Power Contact Ratings

TYPE UL/CSA DATA	Voltage	Units	MPW18- 3-U004	MPW18- 3-D063	MPW18- 3-U010	MPW18- 3-U016	MPW18- 3-U018
Rated Operational Current Ie		[A]	4.0	6.3	10	16	18
Magnetic Release Current		[A]	52	82	130	208	-
Max. Short Circuit Current							
	480V	[kA]	50	50	50	30	30
	600V	[kA]	10	10	5	5	5
Motor Load, 1-phase							
	115V	[HP]	1/8	1/4	1/2	1	1
	230V	[HP]	1/3	3/4	1 1/2	3	3
Motor Load, 3-phase							
	200V	[HP]	3/4	1 1/2	3	3	5
	230V	[HP]	1	1 1/2	3	5	5
	460V	[HP]	2	5	7 1/2	10	10
	575V	[HP]	3	5	10	15	15
Max. Rated Current of Protection Device for Group Installation							
	Fuse or MCCB	[A]	125	125	125	160	160

General Information

Circuit Protection

Disconnect Switches

Motor Protectors

Contactors

Overloads

Enclosed Starters

Electronic Relays

Pushbuttons and Pilot Lights

Terminal Blocks

Power Factor Correction

Appendix A

Appendix B

Appendix C

MPW40 Technical Data

General Ratings

TYPE	Units		MPW40-3-C016	MPW40-3-C025	MPW40-3-D004	MPW40-3-C063	MPW40-3-U001	MPW40-3-D016	MPW40-3-D025	
			Devices according to International Standards IEC 60947-1 / 60947-4-1, European Standards EN 60947-1 / 60947-4-1, Underwriters Laboratories - UL 508; CSA C.22.2/14; VDE 0660/102							
Standards										
Current Setting Range	[A]		0.10 - 0.16	0.16 - 0.25	0.25 - 0.40	0.40 - 0.63	0.63 - 1.0	1.0 - 1.6	1.6 - 2.5	
Rated Thermal Current I _{th}	[A]		0.16	0.25	0.40	0.63	1.0	1.6	2.5	
Rated Insulation Voltage Ui										
Acc. IEC; VDE 0660	[V]		690							
Acc. UL; CSA	[V]		600							
Rated Operating Voltage Ue										
Acc. IEC; VDE 0660	[V]		690							
Acc. UL; CSA	[V]		600							
Rated Impulse Voltage Uimp										
Acc. IEC60947-1	[kV]		6							
Rated Operating Frequency	[Hz]		50/60							
Oversvoltage Category			III							
Pollution Degree			3							
Utilization Category										
IEC 60947-2 (Motor Protector)			A							
IEC 60947-4-1 (Motor Starter)			AC-3							
Lifespan										
Mechanical	[ops.]		100,000							
Electrical (I _e max.)	[ops.]		100,000							
Switching Rate (motor starts)	AC-3	[ops/hr]	15							
Ambient Temperature										
Storage	[°C (°F)]		-50 to +80 (-58 to +176)							
Operating	[°C (°F)]		-20 to +60 (-4 to +140)							
Ambient Temperature Compensation	[°C (°F)]		-20 to +60 (-4 to +140)							
Climatic Proofing			IEC 60068-2-3 / IEC 60068-2-30							
Altitude										
Up to 2,000m (6,600ft)			Nominal Values (for higher altitudes refer to page 127)							
Degree of protection			IP20							
Resistance to Shock										
Acc. IEC 60068-2-27	[g]		15							
Resistance to Vibration			IEC 68-2							
Protection against direct contact										
Acc. IEC 536; DIN VDE 0106 Part 100			Finger and back of hand proof							
Phase Failure Sensitivity Protection			Yes							
Overload Protection Characteristics	x I _u	[A]	0.6 - 1							
Magnetic Release	x I _u	[A]	13							
Overload Trip Class			10							
Total Power Loss P_v										
At rated load operating temperature	[W]		6	6	6	6	6	6	6	
Weight	[kg]		0.32							
	[lb]		0.71							
Type of Terminal			Flat Type							
Screw Driver			Philips #2							
Terminal Capacity										
Solid - Stranded	[mm ²]	[AWG]	Refer to table on page 126							
Tightening Torque	N.m)	lb.in	1.2 - 1.7 (11 - 16)							
Mounting Position			Any Position							

UL File No. E172121

MPW

MPW40 Technical Data

General Ratings

TYPE	Units	MPW40-3-U004	MPW40-3-D063	MPW40-3-U010	MPW40-3-U016	MPW40-3-U020	MPW40-3-U025	MPW40-3-U032	MPW40-3-U040
Standards		Devices according to International Standards IEC 60947-1 / 60947-4-1, European Standards EN 60947-1 / 60947-4-1, Underwriters Laboratories - UL 508; CSA C.22.2/14; VDE 0660/102							
Current Setting Range	[A]	2.5 - 4.0	4.0 - 6.3	6.3 - 10	10 - 16	16 - 20	20 - 25	25 - 32	32 - 40
Rated Thermal Current Ith	[A]	4.0	6.3	10	16	20	25	32	40
Rated Insulation Voltage Ui									
Acc. IEC; VDE 0660	[V]	690							
Acc. UL; CSA	[V]	600							
Rated Operating Voltage Ue									
Acc. IEC; VDE 0660	[V]	690							
Acc. UL; CSA	[V]	600							
Rated Impulse Voltage Uimp									
Acc. IEC60947-1	[kV]	6							
Rated Operating Frequency	[Hz]	50/60							
Overvoltage Category		III							
Pollution Degree		3							
Utilization Category									
IEC 60947-2 (Motor Protector)		A							
IEC 60947-4-1 (Motor Starter)		AC-3							
Lifespan									
Mechanical	[ops.]	100,000							
Electrical (Ie max.)	[ops.]	100,000							
Switching Rate (motor starts)	AC-3 [ops/hr]	15							
Ambient Temperature									
Storage	[oC (oF)]	-50 to +80 (-58 to +176)							
Operating	[oC (oF)]	-20 to +60 (-4 to +140)							
Ambient Temperature Compensation	[oC (oF)]	-20 to +60 (-4 to +140)							
Climatic Proofing		IEC 60068-2-3 / IEC 60068-2-30							
Altitude									
Up to 2,000m (6,600ft)		Nominal Values (for higher altitudes refer to page 127)							
Degree of protection		IP20							
Resistance to Shock									
Acc. IEC 60068-2-27	[g]	15							
Resistance to Vibration		IEC 68-2							
Protection against direct contact									
Acc. IEC 536; DIN VDE 0106 Part 100		Finger and back of hand proof							
Phase Failure Sensitivity Protection		Yes							
Overload Protection Characteristics	x Iu [A]	0.6 - 1							
Magnetic Release	x Iu [A]	13							
Overload Trip Class		10							
Total Power Loss Pv									
At rated load operating temperature	[W]	6	6	6	6	8	8	8	8
Weight	[kg]	0.32							
	[lb]	0.71							
Type of Terminal		Flat Type							
Screw Driver		Phillips #2							
Terminal Capacity									
Solid - Stranded	[mm ²] [AWG]	Refer to table on page 126							
Tightening Torque	N.m) lb.in	1.2 - 1.7 (11 - 16)							
Mounting Position		Any Position							

General Information

Circuit Protection

Disconnect Switches

Motor Protectors

Contactors

Overloads

Enclosed Starters

Electronic Relays

Pushbuttons and Pilot Lights

Terminal Blocks

Power Factor Correction

Appendix A

Appendix B

Appendix C

MPW40 Technical Data

Power Contact Ratings

TYPE	Voltage	Units	MPW40-3-C016	MPW40-3-C025	MPW40-3-C040	MPW40-3-C063	MPW40-3-U001	MPW40-3-D016	MPW40-3-D025
UL/GSA DATA									
Rated Operational Current I _e		[A]	0.16	0.25	0.40	0.63	1.0	1.6	2.5
Magnetic Release Current		[A]	2	3	5	8	13	21	33
Max. Short Circuit Current									
without CLT25									
	480V	[kA]	65						
	600V	[kA]	25						
with CLT25									
	480V	[kA]	100						
	600V	[kA]	50						
Motor Load, 1-phase									
	115V	[HP]	-	-	-	-	-	-	-
	230V	[HP]	-	-	-	-	-	1/10	1/6
Motor Load, 3-phase									
	200V	[HP]	-	-	-	-	-	1/4	1/2
	230V	[HP]	-	-	-	-	-	1/3	1/2
	460V	[HP]	-	-	-	-	1/2	3/4	1 1/2
	575V	[HP]	-	-	-	1/4	1/2	1	1 1/2
Max. Rated Current of Protection Device for Group Installation									
	Fuse or MCCB	[A]	125	125	125	125	125	125	125

General Information

Circuit Protection

Disconnect Switches

Motor Protectors

Contactors

Overloads

Enclosed Starters

Electronic Relays

Pushbuttons and Pilot Lights

Terminal Blocks

Power Factor Correction

Appendix A

Appendix B

Appendix C

MPW

MPW40 Technical Data

Power Contact Ratings

TYPE	Voltage	Units	MPW40-3-U004	MPW40-3-D063	MPW40-3-U010	MPW40-3-U016	MPW40-3-U020	MPW40-3-U025	MPW40-3-U032	MPW40-3-U040
UL/CSA DATA										
Rated Operational Current I _e		[A]	4.0	6.3	10	16	20	25	32	40
Magnetic Release Current		[A]	52	82	130	208	260	325	416	520
Max. Short Circuit Current										
without CLT25										
	480V	[kA]	65			50			20	
	600V	[kA]	25						25	5
with CLT25										
	480V	[kA]				100				
	600V	[kA]				50				
Motor Load, 1-phase										
	115V	[HP]	1/8	1/4	1/2	1	1 1/2	2	-	-
	230V	[HP]	1/3	3/4	1 1/2	3	3	3	5	5
Motor Load, 3-phase										
	200V	[HP]	3/4	1 1/2	3	5	5	7 1/2	10	10
	230V	[HP]	1	1 1/2	3	5	7 1/2	7 1/2	10	10
	460V	[HP]	2	5	7 1/2	10	15	15	20	25
	575V	[HP]	3	5	10	15	20	20	25	30
Max. Rated Current of Protection Device for Group Installation										
	Fuse or MCCB	[A]	125	125	125	160	250	250	300	300

General Information

Circuit Protection

Disconnect Switches

Motor Protectors

Contactors

Overloads

Enclosed Starters

Electronic Relays

Pushbuttons and Pilot Lights

Terminal Blocks

Power Factor Correction

Appendix A

Appendix B

Appendix C

MPW80 Technical Data

General Rating

TYPE	Units		MPW80-3-U040	MPW80-3-U050	MPW80-3-U065
Standards	Devices according to International Standards IEC 60947-1 / 60947-4-1, European Standards EN 60947-1 / 60947-4-1, Underwriters Laboratories - UL 508; CSA C.22.2/14; VDE 0660/102				
Current Setting Range	[A]		32 - 40	40 - 50	50 - 65
Rated Thermal Current I _{th}	[A]		40	50	65
Rated Insulation Voltage U_i					
Acc. IEC; VDE 0660	[V]			690	
Acc. UL; CSA	[V]			600	
Rated Operating Voltage U_e					
Acc. IEC; VDE 0660	[V]			690	
Acc. UL; CSA	[V]			600	
Rated Impulse Voltage U_{imp}					
Acc. IEC60947-1	[kV]			6	
Rated Operating Frequency	[Hz]			50/60	
Oversvoltage Category				III	
Pollution Degree				3	
Utilization Category					
IEC 60947-2 (Motor Protector)				A	
IEC 60947-4-1 (Motor Starter)				AC-3	
Lifespan					
Mechanical	[ops.]			50,000	
Electrical (I _e max.)	[ops.]			25,000	
Switching Rate (motor starts)	AC-3	[ops/hr]		15	
Ambient Temperature					
Storage	[°C (°F)]			-50 to +80 (-58 to +176)	
Operating	[°C (°F)]			-20 to +60 (-4 to +140)	
Ambient Temperature Compensation	[°C (°F)]			-20 to +60 (-4 to +140)	
Climatic Proofing				IEC 60068-2-3 / IEC 60068-2-30	
Altitude					
Up to 2,000m (6,600ft)				Nominal Values (for higher altitudes refer to page 127)	
Degree of protection				IP20	
Resistance to Shock					
Acc. IEC 60068-2-27	[g]			15	
Resistance to Vibration				IEC 68-2	
Protection against direct contact					
Acc. IEC 536; DIN VDE 0106 Part 100				Finger and back of hand proof	
Phase Failure Sensitivity Protection				Yes	
Overload Protection Characteristics	x I _u	[A]		0.6 - 1	
Magnetic Release	x I _u	[A]		13	
Overload Trip Class				10	
Total Power Loss P_v					
At rated load operating temperature	[W]			13	
Weight	[kg]			0.60	
	[lb]			1.42	
Type of Terminal				Flat Type	
Screw Driver				Allen #4	
Terminal Capacity					
Solid - Stranded	[mm ²]	[AWG]		Refer to table on page 126	
Tightening Torque	N.m)	lb.in		1.2 - 1.7 (11 - 16)	
Mounting Position				Any Position	

UL File No. E172121

- General Information
- Circuit Protection
- Disconnect Switches
- Motor Protectors
- Contactors
- Overloads
- Enclosed Starters
- Electronic Relays
- Pushbuttons and Pilot Lights
- Terminal Blocks
- Power Factor Correction
- Appendix A
- Appendix B
- Appendix C

MPW

MPW80 Technical Data

Power Contact Ratings

TYPE	Voltage	Units	MPW80-3-U040	MPW80-3-U050	MPW80-3-U065
Max. Short Circuit Current					
	480V	[kA]		35	
	600V	[kA]		8	
Motor Load, 1-phase					
	115V	[HP]	3	-	5
	230V	[HP]	7 1/2	10	10
Motor Load, 3-phase					
	200V	[HP]	10	15	20
	230V	[HP]	-	15	20
	460V	[HP]	30	30	50
	575V	[HP]	30	40	60

General Information

Circuit Protection

Disconnect Switches

Motor Protectors

Contactors

Overloads

Enclosed Starters

Electronic Relays

Pushbuttons and Pilot Lights

Terminal Blocks

Power Factor Correction

Appendix A

Appendix B

Appendix C

MPW100 Technical Data

General Contact Ratings

TYPE	Units	MPW100-3-U075	MPW100-3-U090	MPW100-3-U100
Standards		Devices according to International Standards IEC 60947-1 / 60947-4-1, European Standards EN 60947-1 / 60947-4-1, Underwriters Laboratories - UL 508; CSA C.22.2/14; VDE 0660/102		
Current Setting Range	[A]	55 - 75	70 - 90	80 - 100
Rated Thermal Current I _{th}	[A]	75	90	100.00
Rated Insulation Voltage U_i				
Acc. IEC; VDE 0660	[V]		690	
Acc. UL; CSA	[V]		600	
Rated Operating Voltage U_e				
Acc. IEC; VDE 0660	[V]		690	
Acc. UL; CSA	[V]		600	
Rated Impulse Voltage U_{imp}				
Acc. IEC60947-1	[kV]		6	
Rated Operating Frequency	[Hz]		50/60	
Overtoltage Category			III	
Pollution Degree			3	
Utilization Category				
IEC 60947-2 (Motor Protector)			A	
IEC 60947-4-1 (Motor Starter)			AC-3	
Lifespan				
Mechanical	[ops.]		50,000	
Electrical (I _e max.)	[ops.]		25,000	
Switching Rate (motor starts)	AC-3 [ops/hr]		15	
Ambient Temperature				
Storage	[°C (°F)]		-50 to +80 (-58 to +176)	
Operating	[°C (°F)]		-20 to +60 (-4 to +140)	
Ambient Temperature Compensation	[°C (°F)]		-20 to +60 (-4 to +140)	
Climatic Proofing			IEC 60068-2-3 / IEC 60068-2-30	
Altitude				
Up to 2,000m (6,600ft)			Nominal Values (for higher altitudes refer to page 127)	
Degree of protection			IP20	
Resistance to Shock				
Acc. IEC 60068-2-27	[g]		15	
Resistance to Vibration			IEC 68-2	
Protection against direct contact				
Acc. IEC 536; DIN VDE 0106 Part 100			Finger and back of hand proof	
Phase Failure Sensitivity Protection			Yes	
Overload Protection Characteristics	x I _u [A]		0.6 - 1	
Magnetic Release	x I _u [A]		13	
Overload Trip Class			10	
Total Power Loss P_v				
At rated load operating temperature	[W]		10	
Weight	[kg]		1.20	
	[lb]		3.00	
Type of Terminal			Flat Type	
Screw Driver			Allen #4	
Terminal Capacity				
Solid	[mm ²]		Refer to table on page 126	
Stranded	[mm ²]			
Solid or Stranded	[AWG]			
Tightening Torque	[N.m (lb.in)]		4.0 - 4.6 (35 - 55)	
Mounting Position			Any Position	

UL File No. E172121

MPW

MPW100 Technical Data

Power Contact Ratings

TYPE	Voltage	Units	MPW100-3-U075	MPW100-3-U090	MPW100-3-U100
UL/CSA DATA					
Rated Operational Current Ie		[A]	75	90	100
Magnetic Release Current		[A]	975	1170	1300
Max. Short Circuit Current					
	480V	[kA]	50		
	600V	[kA]	10		
Motor Load, 1-phase					
	115V	[HP]	5	7 1/2	10
	230V	[HP]	15	20	20
Motor Load, 3-phase					
	200V	[HP]	20	25	30
	230V	[HP]	25	30	30
	460V	[HP]	50	60	75
	575V	[HP]	60	75	100
Max. Rated Current of Protection Device for Group Installation					
	Fuse or MCCB	[A]	1000	1000	1000

General Information

Circuit Protection

Disconnect Switches

Motor Protectors

Contactors

Overloads

Enclosed Starters

Electronic Relays

Pushbuttons and Pilot Lights

Terminal Blocks

Power Factor Correction

Appendix A

Appendix B

Appendix C

MPW Technical Data

Auxiliary Contact Block Ratings

TYPE	Voltage	Units	ACBF-11	ACBF-11 MPW100	ACBS-11	ACBS-20	ACBS-02	ACBS-11 MPW100	ACBS-20 MPW100	ACBS-02 MPW100
Rated Insulation Voltage Ui										
Acc. IEC; VDE 0660		[V]		300				690		
Acc. UL; CSA		[V]		240				600		
Rated Operating Voltage Ue										
Acc. IEC; VDE 0660		[V]		250				690		
Acc. UL; CSA		[V]		240				600		
Rated Impulse Voltage Uimp										
Acc. IEC60947-1		[kV]		4				6		
Overtoltage Category				III				III		
Pollution Degree				3				3		
Life Span										
Mechanical		[ops.]						100,000		
Electrical (Ie max.)		[ops.]						100,000		
Rated Thermal Current Ith		[A]		2.5				10		
Rated Operating Current Ie										
Acc. IEC 60947-5-1 / AC-15	24V	[A]		2				6		
	110-127V	[A]		0.5				6		
	220-240V	[A]		0.5				6		
	380-400V	[A]		-				3		
	415-450V	[A]		-				1		
	500V	[A]		-				1		
	660-690V	[A]		-				1		
Acc. UL; CSA				C300				A600		
Rated Operating Current Ie										
Acc. IEC 60947-5-1 / DC-13	24V	[A]		1				2		
	48V	[A]		0.3				0.8		
	60V	[A]		0.15				0.5		
	110V	[A]		-				0.5		
	220V	[A]		-				0.25		
								0.25		
	440V	[A]		-				0.1		
								0.1		
Acc. UL; CSA				R300				Q600		
Short Circuit rating without welding										
gL/gG		[A]						10		
MCB		[A]						6		
Type of Terminal								Screwdriver; Philips #2		
Terminal Capacity										
Solid or Stranded		[mm ²]						1 or 2 x (0.5 to 2.5)		
Solid or Stranded		[AWG]						1 or 2 x (18 to 14)		
Tightening Torque		[N.m (lb.in)]						1.0 - 1.25 (8.85 - 11.06)		

- General Information
- Circuit Protection
- Disconnect Switches
- Motor Protectors
- Contactors
- Overloads
- Enclosed Starters
- Electronic Relays
- Pushbuttons and Pilot Lights
- Terminal Blocks
- Power Factor Correction
- Appendix A
- Appendix B
- Appendix C

Motor Protectors

MPW

MPW Technical Data

Trip Signalling Block

TYPE	Voltage	Units	TSB	TSB-11 MPW100
Rated Insulation Voltage Ui				
Acc. IEC; VDE 0660		[V]		690
Acc. UL; CSA		[V]		600
Rated Operating Voltage Ue				
Acc. IEC; VDE 0660		[V]		690
Acc. UL; CSA		[V]		600
Rated Impulse Voltage Uimp				
Acc. IEC60947-1		[kV]		6
Overvoltage Category				III
Pollution Degree				3
Life Span				
Mechanical		[ops.]		100000
Electrical (Ie max.)		[ops.]		100000
Rated Thermal Current Ith		[A]		10
Rated Operating Current Ie				
Acc. IEC 60947-5-1 / AC-15	24V	[A]		6
	110-127V	[A]		6
	220-240V	[A]		6
	380-400V	[A]		3
	415-450V	[A]		3
	500V	[A]		2
660-690V	[A]			1
				A600
Acc. UL; CSA				A600
Rated Operating Current Ie				
Acc. IEC 60947-5-1 / DC-13	24V	[A]		2
	48V	[A]		0.5
	60V	[A]		0.5
	110V	[A]		0.5
	220V	[A]		0.25
	440V	[A]		0.1
	Acc. UL; CSA			
Short Circuit rating without welding				
gL/gG		[A]		6
MCB		[A]		6
Type of Terminal	Screw Driver - Philips #2			
Terminal Capacity				
Solid or Stranded		[mm ²]		1 or 2 x (0.5 to 2.5)
Solid or Stranded		AWG		1 or 2 x (18 to 14)
Tightening Torque		N.m (lb.in)		1.0 - 1.25 (8.85 - 11.06)

General Information

Circuit Protection

Disconnect Switches

Motor Protectors

Contactors

Overloads

Enclosed Starters

Electronic Relays

Pushbuttons and Pilot Lights

Terminal Blocks

Power Factor Correction

Appendix A

Appendix B

Appendix C

MPW Technical Data

Shunt Release Block

TYPE	Units	SRMP	SRMP MPW100
Rated Insulation Voltage Ui			
Acc. IEC; VDE 0660	[V]		690
Acc. UL; CSA	[V]		600
Rated Operating Voltage Ue			
Acc. IEC; VDE 0660	[V]		690
Acc. UL; CSA	[V]		600
Rated Impulse Voltage Uimp			
Acc. IEC60947-1	[kV]		6
Overvoltage Category			III
Pollution Degree			3
Life Span			
Mechanical	[ops.]		100000
Electrical (Ie max.)	[ops.]		100000
Actuating Voltage	x Us [V]		0.7 - 1.1
Power Consumption			
Pull-In	[VA (W)]	20.2 (13)	8.5 (6)
Hold	[VA (W)]	7.2 (2.4)	3 (1.2)
Maximum Opening Time	[ms]		20
Short Circuit Rating without Welding			
Fuse gL/gG	[A]		10
MCB	[A]		6
Type of Terminal		Screw Driver - Philips #2	
Terminal Capacity			
Solid or Stranded	[mm ²]	1 or 2 x (0.5 to 2.5)	
Solid or Stranded	AWG	1 or 2 x (18 to 14)	
Tightening Torque	[N.m (lb.in)]	1.0 - 1.25 (8.85 - 11.06)	

Under Voltage Release Block

TYPE	Units	URMP	URMP MPW100
Rated Insulation Voltage Ui			
Acc. IEC; VDE 0660	[V]		690
Acc. UL; CSA	[V]		600
Rated Operating Voltage Ue			
Acc. IEC; VDE 0660	[V]		690
Acc. UL; CSA	[V]		600
Rated Impulse Voltage Uimp			
Acc. IEC60947-1	[kV]		6
Overvoltage Category			III
Pollution Degree			3
Life Span			
Mechanical	[ops.]		100000
Electrical (Ie max.)	[ops.]		100000
Pick-Up Voltage	x Us [V]		0.85 - 1.1
Drop-Out Voltage	x Us [V]		0.7 - 0.35
Power Consumption			
Pull-In	[VA (W)]	20.2 (13)	8.5 (6)
Hold	[VA (W)]	7.2 (2.4)	3 (1.2)
Maximum Opening Time	[ms]		20
Short Circuit Rating without Welding			
Fuse gL/gG	[A]		10
MCB	[A]		6
Type of Terminal		Screw Driver - Philips #2	
Terminal Capacity			
Solid or Stranded	[mm ²]	1 or 2 x (0.5 to 2.5)	
Solid or Stranded	AWG	1 or 2 x (18 to 14)	
Tightening Torque	[lb. in]	1.0 - 1.25 (8.85 - 11.06)	

- General Information
- Circuit Protection
- Disconnect Switches
- Motor Protectors
- Contactors
- Overloads
- Enclosed Starters
- Electronic Relays
- Pushbuttons and Pilot Lights
- Terminal Blocks
- Power Factor Correction
- Appendix A
- Appendix B
- Appendix C

MPW

MPW Technical Data

Main Terminal Capacity

Catalog Number	Type	Number of conductors	Cross-Section
MPW18	Rigid or flexible cable	1 or 2	1...4 mm ²
			18...12 AWG
MPW40	Rigid or flexible cable	1 or 2	1...2.5 mm ²
			2.5...6 mm ² 14...8 AWG ¹⁾
MPW80	Type	1 conductor connection in upper part only	Cross-Section
	Rigid cable		1...35 mm ²
	Cable without terminal		1.5...35 mm ²
	Cable with terminal		1...35 mm ²
	Flexible cable		1.5...35 mm ² 16...2 AWG
	Type	1 conductor connection in lower part only	Cross-Section
	Rigid cable		2.5...35mm ²
	Cable without terminal		6...35mm ²
	Cable with terminal		2.5...35mm ²
	Flexible cable		6...35mm ² 12...2 AWG
	Type	Connection of 2 conductors - Conductor in upper part	Cross-Section
	Rigid cable		1...35mm ²
	Cable without terminal		1.5...35mm ²
	Cable with terminal		1...35mm ²
	Flexible cable		1.5...35mm ² 16...2 AWG
	Type	Conductor in lower part	Cross-Section
Rigid cable		2.5...35mm ²	
Cable without terminal		6...35mm ²	
Cable with terminal		2.5...35mm ²	
Flexible cable		6...35mm ² 12...2 AWG	
MPW100	Type	Number of conductors	Cross-Section
	Rigid cable	1	2.5...70 mm ²
		2	12...2/0 AWG
	Flexible cable	1	2.5...50 mm ²
			12...1/0 AWG
		2	2.5...50 mm ²
			2.5...35 mm ² 10...2 AWG

Note: 1) 8 AWG for flexible cable only

General Information

Circuit Protection

Disconnect Switches

Motor Protectors

Contactors

Overloads

Enclosed Starters

Electronic Relays

Pushbuttons and Pilot Lights

Terminal Blocks

Power Factor Correction

Appendix A

Appendix B

Appendix C

MPW Technical Data

Altitude - Correction factor

The MPW manual motor protectors do not undergo any change to their specified performance when applied at an altitude of up to 2000 meters above sea level. However, as the altitude increases, the reduced atmospheric pressure produces decreasing dielectric properties. Therefore, current and voltage correction factors must be applied for altitudes exceeding 2000 meters, as shown in the table on the right.

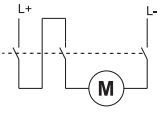
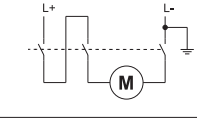
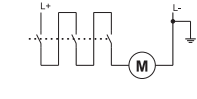
Altitude (above sea level) - h	Rated operational voltage U_o	Current correction factor I_u
$h \leq 2000$ m	690 V	$1 \times I_u$
$2000 < h \leq 3000$ m	550 V	$0,96 \times I_u$
$3000 < h \leq 4000$ m	480 V	$0,93 \times I_u$
$4000 < h \leq 5000$ m	420 V	$0,90 \times I_u$

DC operation

The MPW18, MPW40 and MPW80 motor protective circuit breakers can also be used for operating DC loads. For such operation it is necessary to connect 2 or 3 poles in series. See recommended circuits and their voltage limits in the table on the right.

Time constant $t = 5$ ms

Short-circuit breaking capacity $I_{cu} = 10$ kA for all configurations

Circuits	Max. VDC	Notes
	150 VDC	System not grounded 2 pole series connected
	300 VDC	System grounded 2 pole series connected
	450 VDC	System grounded 3 pole series connected

General Information

Circuit Protection

Disconnect Switches

Motor Protectors

Contactors

Overloads

Enclosed Starters

Electronic Relays

Pushbuttons and Pilot Lights

Terminal Blocks

Power Factor Correction

Appendix A

Appendix B

Appendix C

MPW

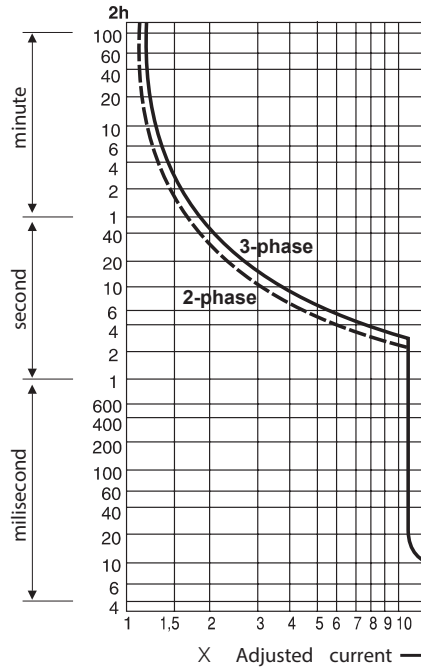
Characteristic Curves

Time Current Characteristic MPW18/40/80/100 Class 10

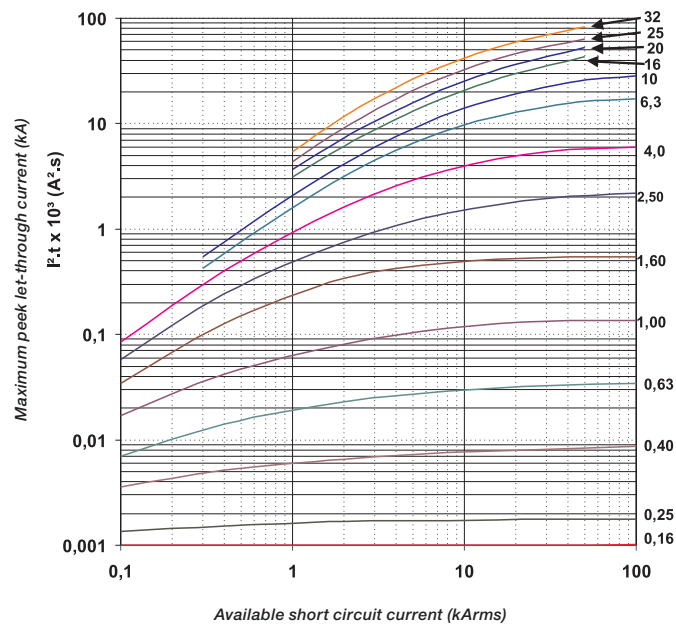
The tripping characteristic indicates the manual motor protector trip time in relation to the rated current.

The curves show average tolerance range values for an ambient temperature of 20°C (68°F), starting in cold state. Thermal trip time when working in operating temperature is reduced to around 25% of the listed values. Under normal operating conditions, all 3 manual motor protector phases must be conducting.

MPW18/40/80

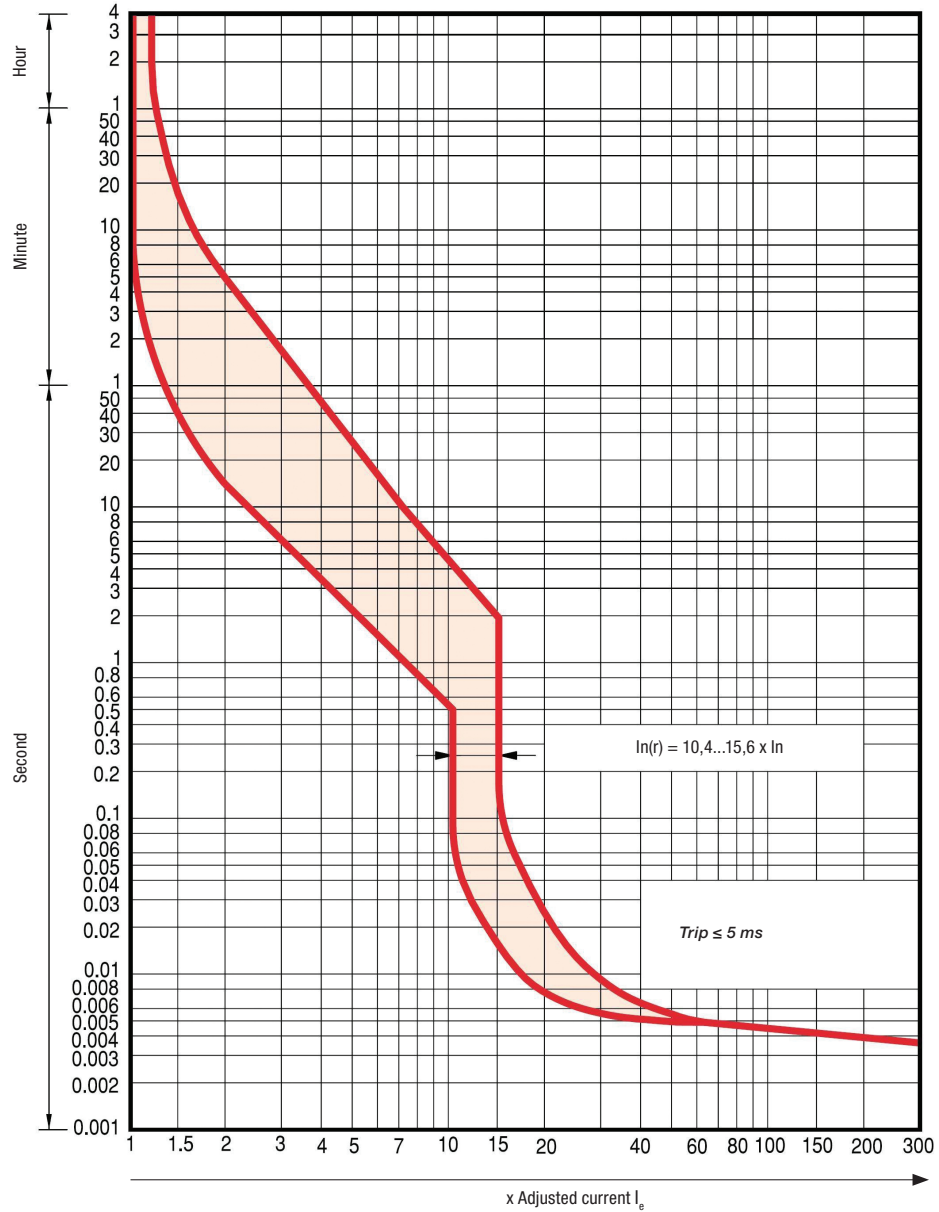


Characteristic I²t at 460V - MPW40



Characteristics Curves

MPW100



Notes: Thermal Tripping current: Curve presented for an ambient temperature of 20°C(68°F) starting from cold state.

Technical Data

Short Circuit Interruption Capacity UL/CSA for MPW18, MPW40, MPW80, MPW100

Catalog Number	Setting Overload Release (A)	Manual Motor Controller High Capacity				Combination Motor Controller (Type E/F) High Capacity				Combination Motor Controller (Type E/F) Extra High Capacity			
		240VAC	480VAC Y/277VAC	600VAC Y/347VAC	Max. Fuse or MCCB	240VAC	480VAC Y/277VAC	600VAC Y/347VAC	Max. Fuse or MCCB	240VAC	480VAC Y/277VAC	600VAC Y/347VAC	Max. Fuse or MCCB
		kA	kA	kA	A	kA	kA	kA	A	kA	kA	kA	A
MPW18	0.10 - 0.16	50	50	10	125	-	-	-	-	-	-	-	-
	0.16 - 0.25	50	50	10	125	-	-	-	-	-	-	-	-
	0.25 - 0.40	50	50	10	125	-	-	-	-	-	-	-	-
	0.40 - 0.63	50	50	10	125	-	-	-	-	-	-	-	-
	0.63 - 1.0	50	50	10	125	-	-	-	-	-	-	-	-
	1.0 - 1.6	50	50	10	125	-	-	-	-	-	-	-	-
	1.6 - 2.5	50	50	10	125	-	-	-	-	-	-	-	-
	2.5 - 4.0	50	50	10	125	-	-	-	-	-	-	-	-
	4.0 - 6.3	50	50	10	125	-	-	-	-	-	-	-	-
	6.3 - 10	50	50	5	125	-	-	-	-	-	-	-	-
	10 - 16	30	30	5	160	-	-	-	-	-	-	-	-
12 - 18	30	30	5	160	-	-	-	-	-	-	-	-	
MPW40	0.10 - 0.16	50	65	25	125	50	50	25	-	100	100	50	-
	0.16 - 0.25	50	65	25	125	50	50	25	-	100	100	50	-
	0.25 - 0.40	50	65	25	125	50	50	25	-	100	100	50	-
	0.40 - 0.63	50	65	25	125	50	50	25	-	100	100	50	-
	0.63 - 1.0	50	65	25	125	50	50	25	-	100	100	50	-
	1.0 - 1.6	50	65	25	125	50	50	25	-	100	100	50	-
	1.6 - 2.5	50	65	25	125	50	50	25	-	100	100	50	-
	2.5 - 4.0	50	65	25	125	50	50	25	-	100	100	50	-
	4.0 - 6.3	50	65	25	125	50	50	25	-	100	100	50	-
	6.3 - 10	50	65	25	125	50	50	25	-	100	100	50	-
	10 - 16	50	50	25	160	50	50	25	-	100	100	50	-
	16 - 20	50	50	25	250	50	50	25	-	100	100	50	-
	20 - 25	50	50	25	250	50	50	25	-	100	100	50	-
25 - 32	42	50	25	500	42	42	25	-	100	100	50	-	
32 - 40	20	20	5	520	-	-	-	-	-	-	-	-	
MPW80	10 ... 16	50	50	30	160	50	50	30	-	-	-	-	-
	16 ... 20	50	50	30	250	50	50	30	-	-	-	-	-
	20 ... 25	50	50	30	250	50	50	30	-	-	-	-	-
	25 ... 32	50	50	30	500	50	50	30	-	-	-	-	-
	32 ... 40	35	35	10	500	35	35	10	-	-	-	-	-
	40 ... 50	35	35	10	750	35	35	10	-	-	-	-	-
MPW100	55 ... 75	50	50	10	1250	50	50	10	-	-	-	-	-
	70 ... 90	50	50	10	1250	50	50	10	-	-	-	-	-
	80 ... 100	50	50	10	1250	50	50	10	-	-	-	-	-

Note: - Fuse or MCCB not required.

Technical Data

Short-Circuit Interruption Capacity (IEC 60947-2) for MPW18 , MPW40, MPW80, MPW100

Catalog Number	Setting Overload Release (A)	220-230VAC			380-415VAC			440VAC			460-500VAC			630-690VAC		
		I _{cu}	I _{cs}	Max. Fuse (gL/gG)	I _{cu}	I _{cs}	Max. Fuse (gL/gG) ¹⁾	I _{cu}	I _{cs}	Max. Fuse (gL/gG) ¹⁾	I _{cu}	I _{cs}	Max. Fuse (gL/gG) ¹⁾	I _{cu}	I _{cs}	Max. Fuse (gL/gG) ¹⁾
		kA	kA	A	kA	kA	A	kA	kA	A	kA	kA	A	kA	kA	A
MPW18	0.10...0.16	100	100	-	100	100	-	100	100	-	100	100	-	10	10	-
	0.16...0.25	100	100	-	100	100	-	100	100	-	100	100	-	10	10	-
	0.25...0.4	100	100	-	100	100	-	100	100	-	100	100	-	10	10	-
	0.4...0.63	100	100	-	100	100	-	100	100	-	100	100	-	10	10	-
	0.63...1	100	100	-	100	100	-	100	100	-	100	100	-	10	10	-
	1...1.6	100	100	-	100	100	-	100	100	-	100	100	-	10	10	-
	1.6...2.5	100	100	-	100	100	-	100	100	-	100	100	-	8	8	25
	2.5...4	100	100	-	100	100	-	100	100	-	100	100	-	8	8	35
	4...6.3	100	100	-	100	100	-	100	100	-	100	100	-	8	8	50
	6.3...10	100	100	-	50	10	100	50	10	80	10	10	63	5	5	50
	10...16	100	100	-	10	10	100	10	10	80	10	10	80	4	3	63
12...18	100	100	-	10	10	100	10	10	80	10	10	80	10	10	80	
MPW40	0.10...0.16	100	100	-	100	100	-	100	100	-	100	100	-	100	100	-
	0.16...0.25	100	100	-	100	100	-	100	100	-	100	100	-	100	100	-
	0.25...0.4	100	100	-	100	100	-	100	100	-	100	100	-	100	100	-
	0.4...0.63	100	100	-	100	100	-	100	100	-	100	100	-	100	100	-
	0.63...1	100	100	-	100	100	-	100	100	-	100	100	-	100	100	-
	1...1.6	100	100	-	100	100	-	100	100	-	100	100	-	100	100	-
	1.6...2.5	100	100	-	100	100	-	100	100	-	100	100	-	8	8	25
	2.5...4	100	100	-	100	100	-	100	100	-	100	100	-	8	8	32
	4...6.3	100	100	-	100	100	-	100	100	-	100	100	-	8	8	50
	6.3...10	100	100	-	100	100	-	50	25	80	42	21	63	8	8	50
	10...16	100	100	-	50	25	100	50	15	80	10	8	80	5	5	63
	16...20	100	100	-	50	25	125	50	15	80	10	8	80	5	5	63
	20...25	100	100	-	50	25	125	50	15	100	10	8	80	5	5	63
	25...32	100	100	-	50	25	125	25	15	100	10	8	80	5	5	63
32...40	100	100	-	50	25	125	25	15	100	10	8	80	5	2	63	
MPW80	10...16	100	100	-	50	50	100	50	50	80	15	15	80	8	8	63
	16...20	100	100	-	50	50	125	50	50	80	15	15	80	8	8	63
	20...25	100	100	-	50	50	125	50	50	100	15	15	80	8	8	63
	25...32	100	100	-	50	50	125	50	50	100	15	15	80	5	5	63
	32...40	100	100	-	50	50	160	50	50	125	15	10	100	5	5	63
	40...50	100	100	-	50	50	160	50	50	125	15	10	100	5	5	80
MPW100	55...75	100	100	-	75	50	-	50	38	200	12	9	160	6	6	125
	70...90	100	100	-	75	50	-	50	38	200	12	9	160	6	6	160
	80...100	100	100	-	75	50	-	50	38	200	12	9	160	6	6	160

Self protected against short-circuits up to 100kA

- Back-up fuse not required

1) Fuse required for greater short-circuit currents.

General Information

Circuit Protection

Disconnect Switches

Motor Protectors

Contactors

Overloads

Enclosed Starters

Electronic Relays

Pushbuttons and Pilot Lights

Terminal Blocks

Power Factor Correction

Appendix A

Appendix B

Appendix C

Technical Data

Short-Circuit Interruption Capacity (IEC 60947-2) Limiter Function MPW40 + CLT25

Catalog Number	Setting Overload Release (A)	380-415VAC			440VAC			460-500VAC			630-690VAC		
		I_{cu}	I_{cs}	Max. Fuse (gL/gG)	I_{cu}	I_{cs}	Max. Fuse (gL/gG)	I_{cu}	I_{cs}	Max. Fuse (gL/gG)	I_{cu}	I_{cs}	Max. Fuse (gL/gG)
		kA	kA	A	kA	kA	A	kA	kA	A	kA	kA	A
MPW40 + CLT32 MPW40	0.10...0.16	◆	◆	-	◆	◆	-	◆	◆	-	◆	◆	-
	0.16...0.25	◆	◆	-	◆	◆	-	◆	◆	-	◆	◆	-
	0.25...0.4	◆	◆	-	◆	◆	-	◆	◆	-	◆	◆	-
	0.4...0.63	◆	◆	-	◆	◆	-	◆	◆	-	◆	◆	-
	0.63...1	◆	◆	-	◆	◆	-	◆	◆	-	◆	◆	-
	1...1.6	◆	◆	-	◆	◆	-	◆	◆	-	◆	◆	-
	1.6...2.5	◆	◆	-	◆	◆	-	◆	◆	-	50	50	-
	2.5...4	◆	◆	-	◆	◆	-	◆	◆	-	50	50	-
	4...6.3	◆	◆	-	◆	◆	-	◆	◆	-	50	50	-
	6.3...10	◆	◆	-	100	100	-	100	100	-	50	50	-
	10...16	100	100	-	100	100	-	100	100	-	50	50	-
	16...20	100	100	-	100	100	-	100	100	-	50	50	-
	20...25	100	100	-	100	100	-	100	100	-	10	10	-
25...32	100	100	-	100	100	-	100	100	-	10	10	-	

- Notes:
- Self protected against short-circuits up to 100kA
 - Back-up fuse not required
 - ◆ Not applicable due to MPW40 already having 100 kA of I_{cu} / I_{cs} in referred ranges.

General Information

Circuit Protection

Disconnect Switches

Motor Protectors

Contactors

Overloads

Enclosed Starters

Electronic Relays

Pushbuttons and Pilot Lights

Terminal Blocks

Power Factor Correction

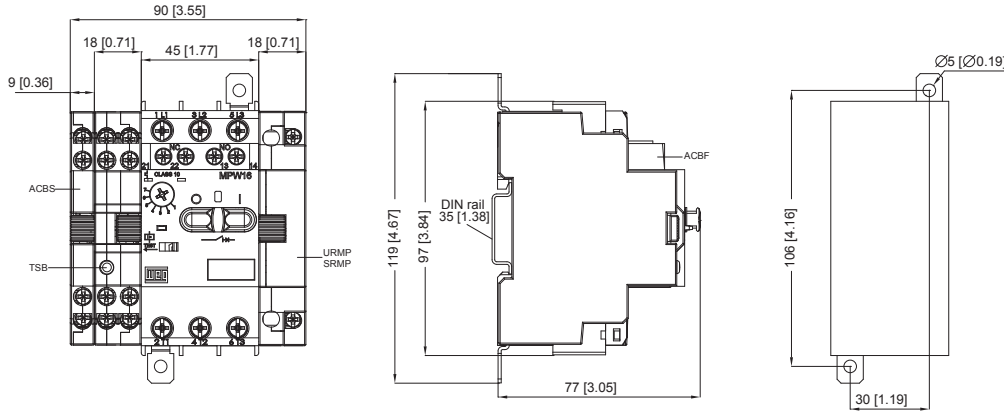
Appendix A

Appendix B

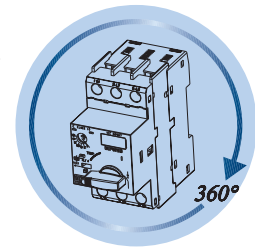
Appendix C

Dimensions mm (in)

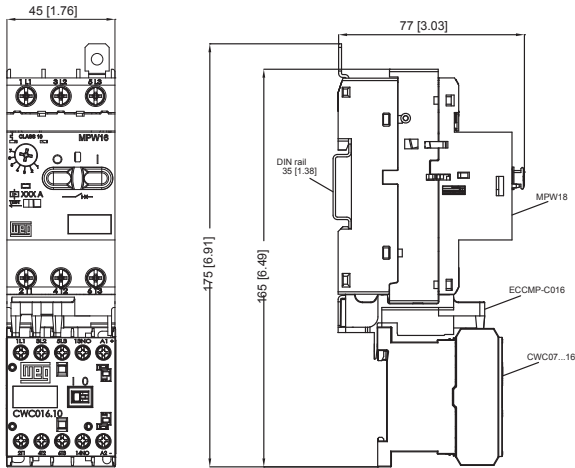
MPW18 + Accessories



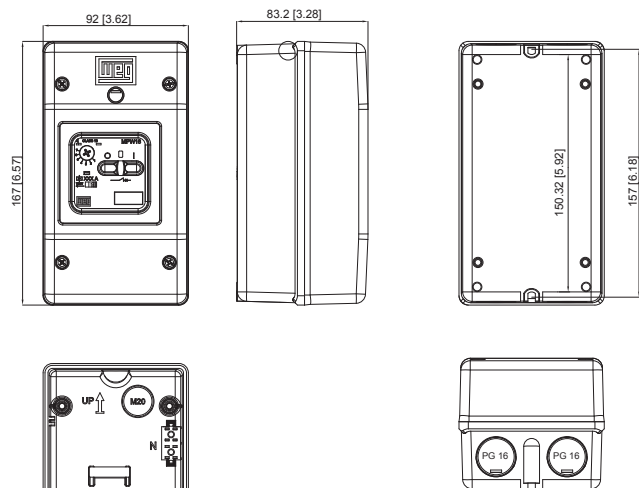
Mounting Position



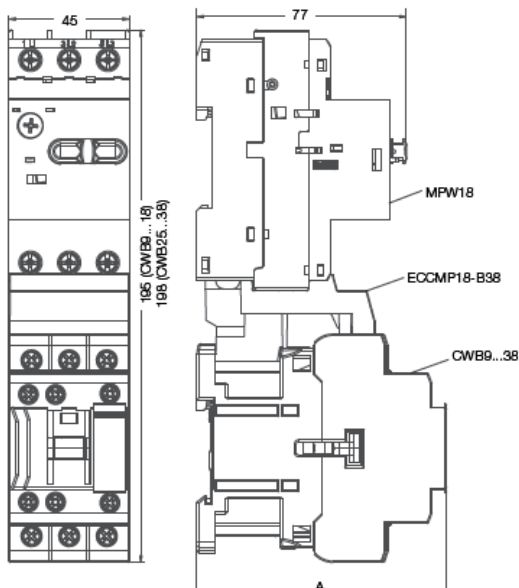
MPW18 + CWC07...16



Insulated Enclosure - PE66 (IP66)



MPW18 + CWB9...18 / CWB25...38



A	CWB9...18	CWB25...38
AC coil	89.5	93

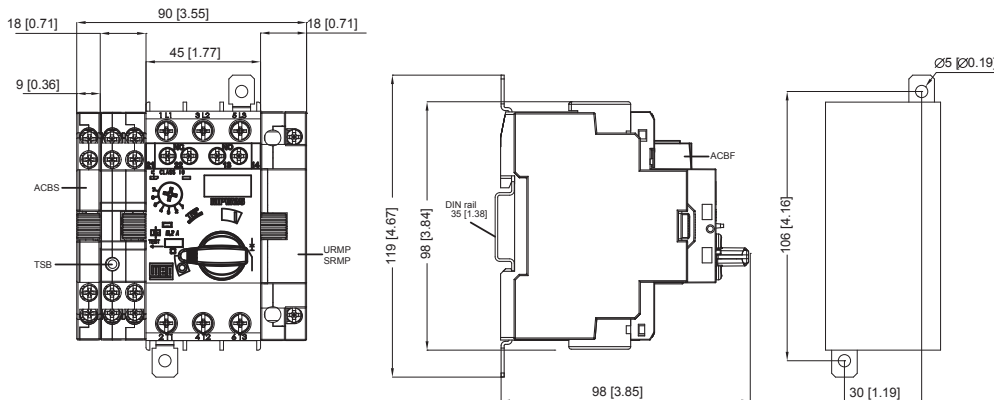
- General Information
- Circuit Protection
- Disconnect Switches
- Motor Protectors
- Contactors
- Overloads
- Enclosed Starters
- Electronic Relays
- Pushbuttons and Pilot Lights
- Terminal Blocks
- Power Factor Correction
- Appendix A
- Appendix B
- Appendix C

Motor Protectors

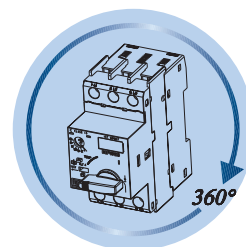
MPW

Dimensions mm (in)

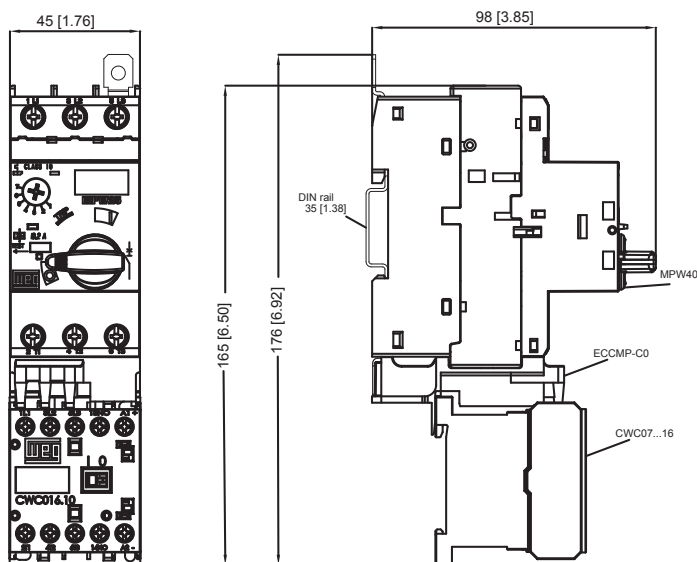
MPW40 + Accessories



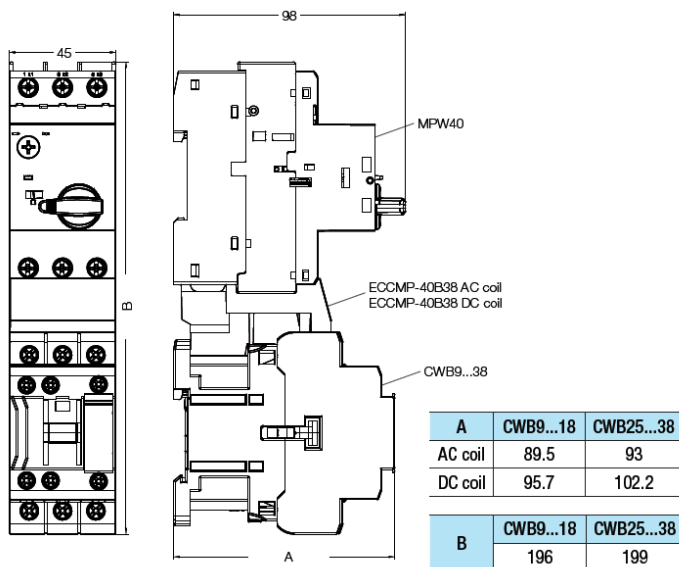
Mounting Position



MPW40 + CWC07...16

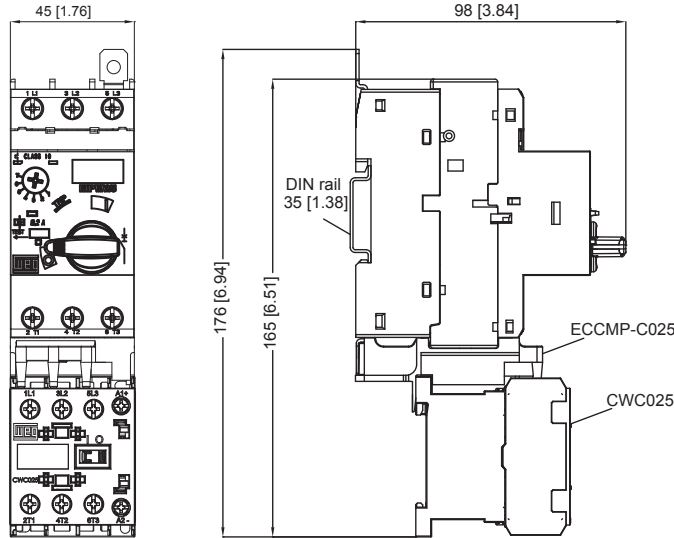


MPW40 + CWB9...18 / CWB25...38

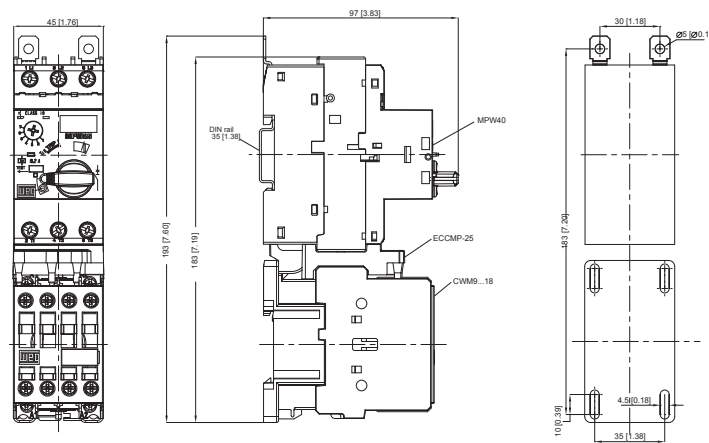


Dimensions mm (in)

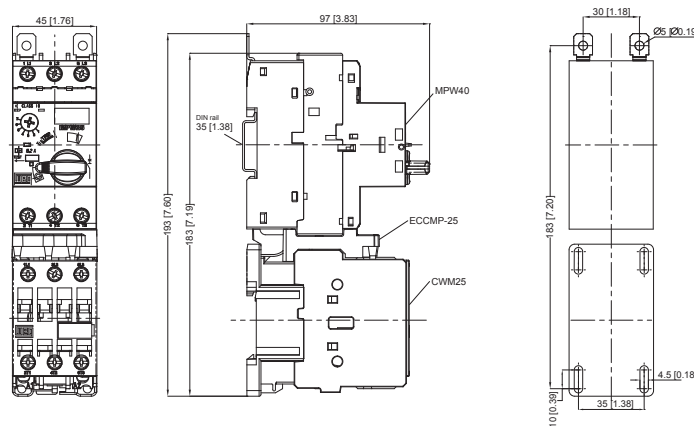
MPW40 + CWC025



MPW40 + CWM9...18



MPW40 + CWM25



General Information

Circuit Protection

Disconnect Switches

Motor Protectors

Contactors

Overloads

Enclosed Starters

Electronic Relays

Pushbuttons and Pilot Lights

Terminal Blocks

Power Factor Correction

Appendix A

Appendix B

Appendix C

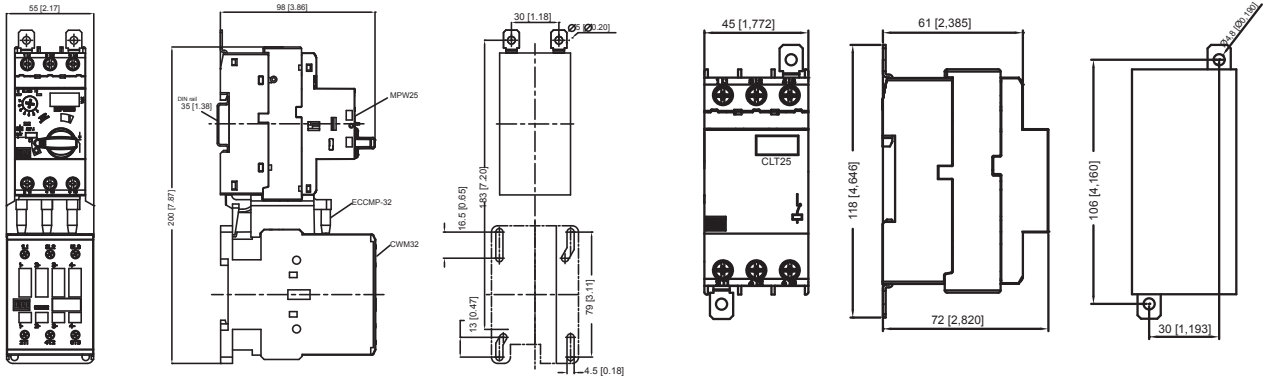
Motor Protectors

MPW

Dimensions mm (in)

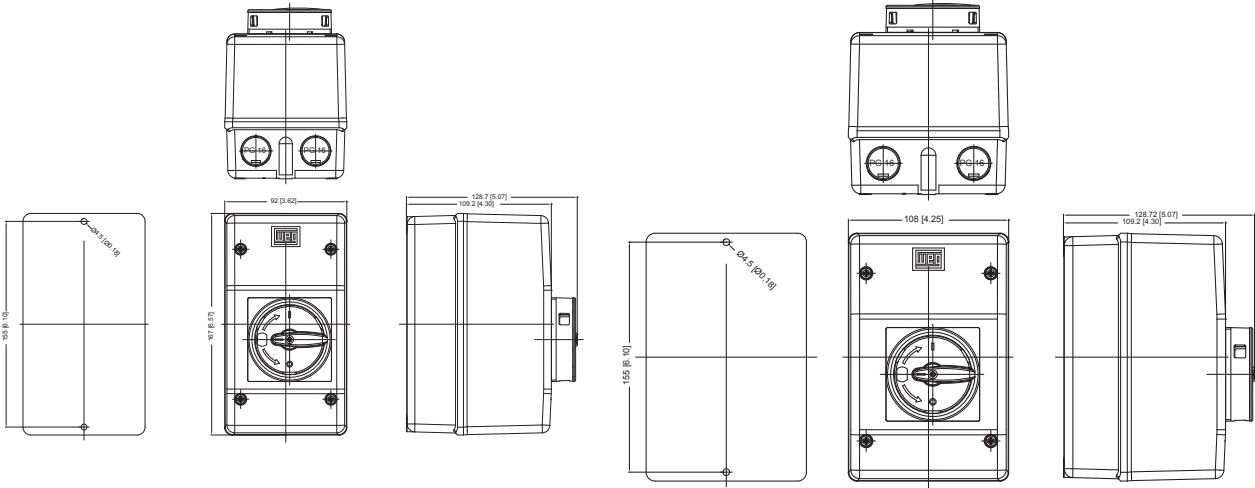
MPW40 + CWM32

Current limiter - CLT32 MPW40



Insulated Enclosure - PE55 (IP55)

Insulated Enclosure - LPE55 (IP55)



General Information

Circuit Protection

Disconnect Switches

Motor Protectors

Contactors

Overloads

Enclosed Starters

Electronic Relays

Pushbuttons and Pilot Lights

Terminal Blocks

Power Factor Correction

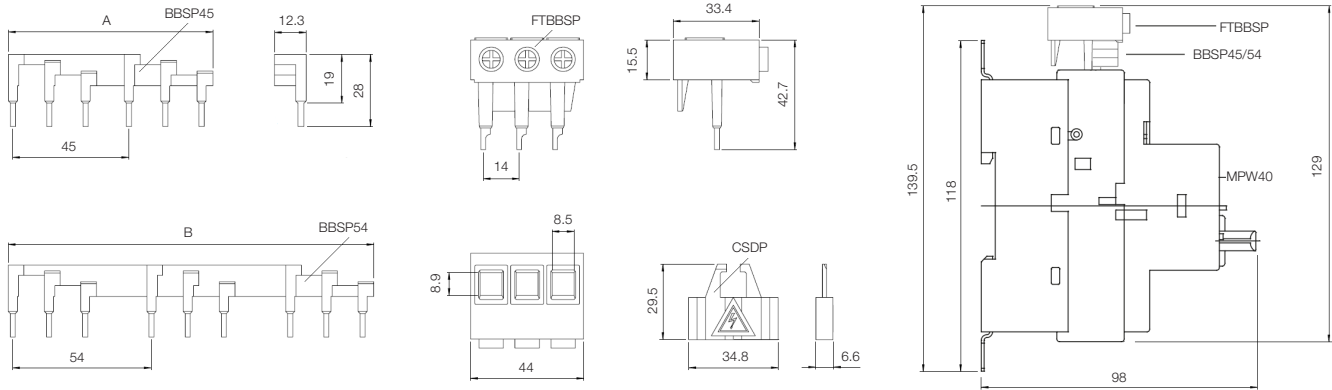
Appendix A

Appendix B

Appendix C

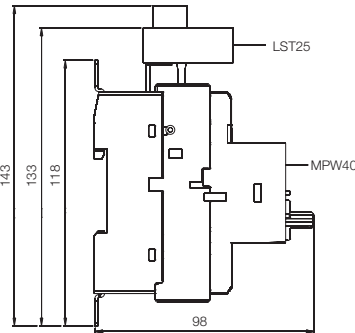
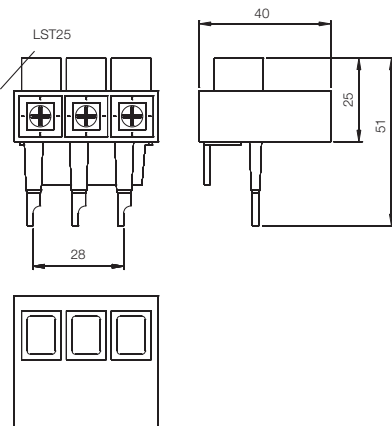
Dimensions mm (in)

Accessories: BBSP45, BBSP54, FTBBSP, CSDP, LST25, and LST65

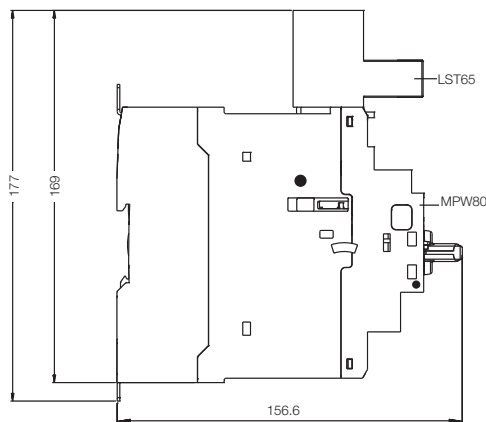
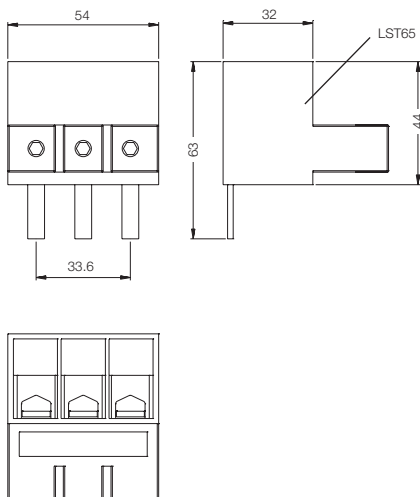


Model	BBSP45-2	BBSP45-3	BBSP45-4	BBSP45-5
A	79.3	124.3	169.3	214.3
Model	BBSP54-2	BBSP54-3	BBSP54-4	BBSP54-5
B	88.3	142.3	196.3	250.3

LST25



LST65

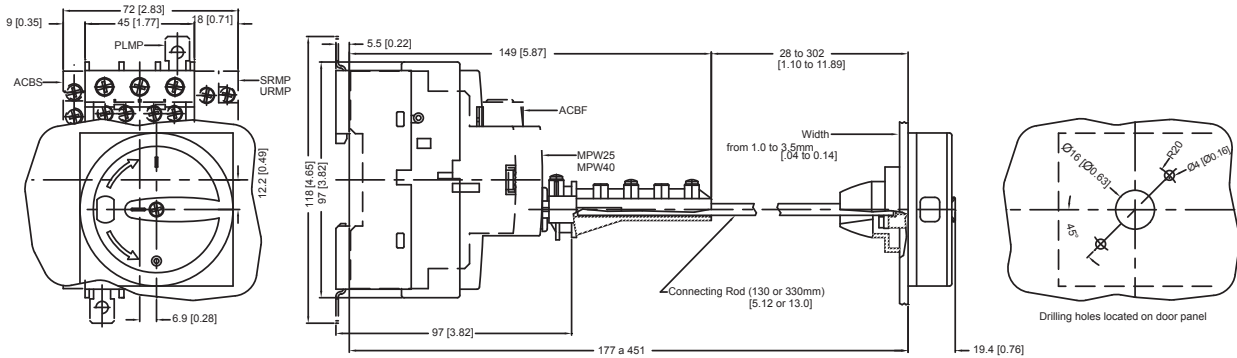


Motor Protectors

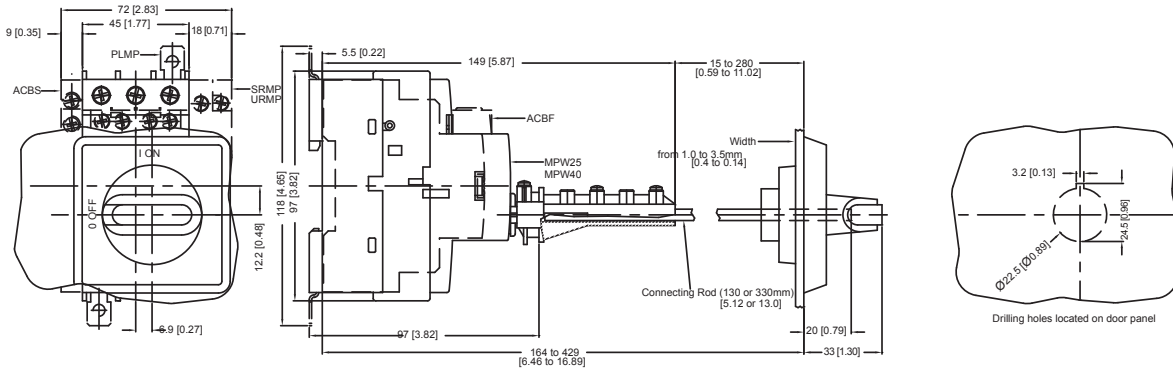
MPW

Dimensions mm (in)

Through the Door Rotary Handle - RMMP



Through the Door Rotary Handle - MR MPW40



General Information

Circuit Protection

Disconnect Switches

Motor Protectors

Contactors

Overloads

Enclosed Starters

Electronic Relays

Pushbuttons and Pilot Lights

Terminal Blocks

Power Factor Correction

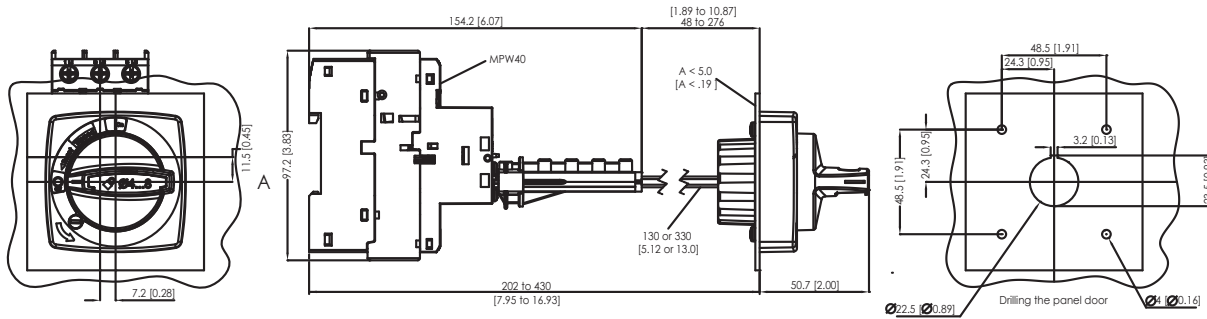
Appendix A

Appendix B

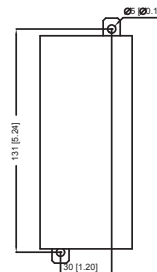
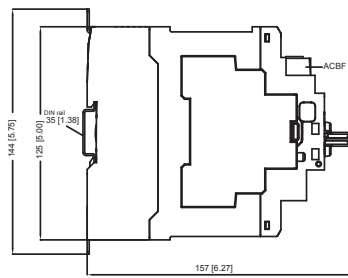
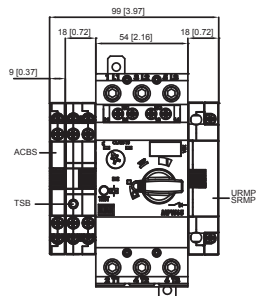
Appendix C

Dimensions mm (in)

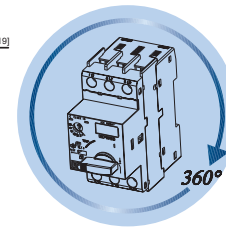
Through the Door Rotary Handle - MRX



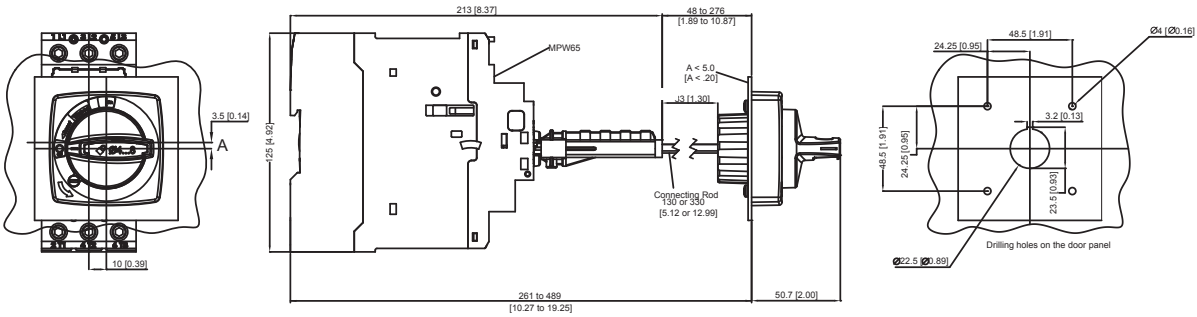
MPW80 + Accessories



Mounting Position



Through the Door Rotary Handle - MRX65

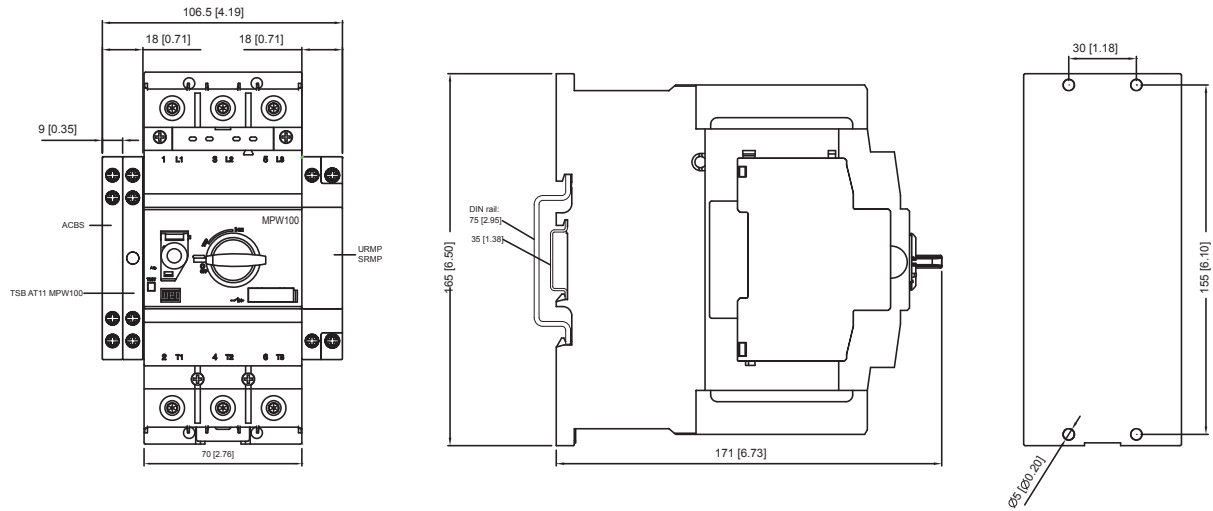


Motor Protectors

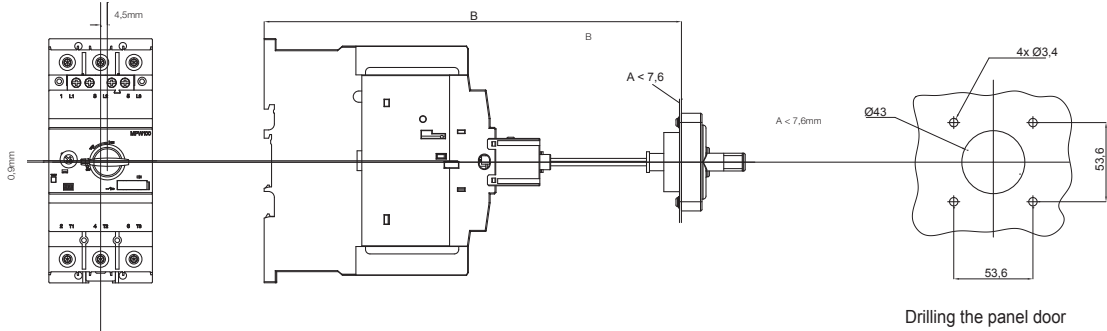
MPW

Dimensions mm (in)

MPW100



Through the Door Coupling Rotary Handle - MR MPW100



Part Number	B (mm)
MR MPW100-115	min: 220
	max: 282
MR MPW100-315	min: 220
	max: 482

Mounting position

