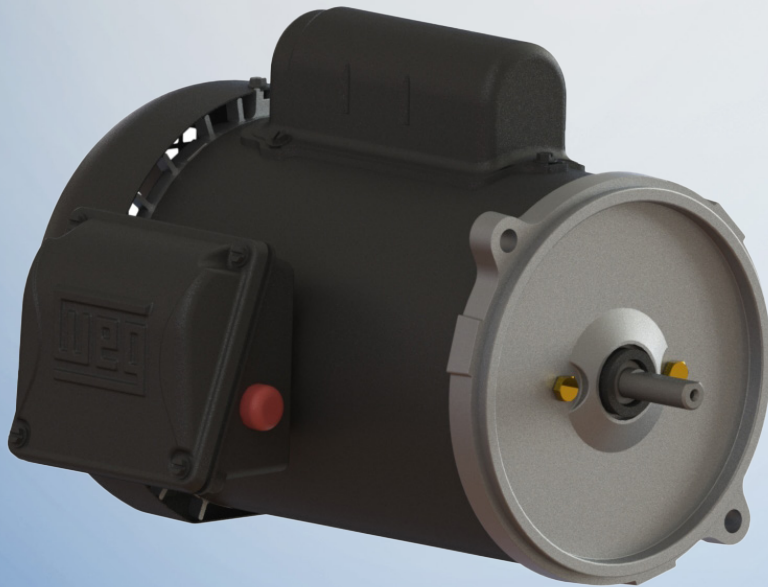


# W01 AUGER DRIVE MOTORS

Motors  
Automation  
Energy  
Transmission and  
Distribution  
Coatings



Driving efficiency and sustainability



# W01 Auger Drive Motors

WEG W01 Auger Drive motors are specifically designed for Feed-Drive units requiring a reliable and efficient motor and high starting torque.

They have an extended NDE shaft for manual jogging of the auger, manual thermal overload protection and two bolts mounting NEMA "N" flange.

## General Features:

- IP55 ingress protection
- 56NZ Frame (Shaft with flat), 56 Frame with keyed shaft
- 207N Painting Plan
- Centrifugal switch with overspeed protection
- Extended shaft on NDE for hand crank (with cover)
- V'ring on DE and NDE
- New aluminum NEMA N flange
- Manual thermal protector
- Shielded bearings
- Steel fan cover



HP	Kw	RPM	Frame	Catalog Number	List price	Mult. Symbol	Approx. Shipping Weight (Lbs)	Service Factor	FL Amps @ high	FL EFF (%)	"C" Dimension (in)	Voltage (V)	Notes
0.33	0.25	1800	56YZ	<a href="#">.3318ES1RAD56NZ-S</a>	\$363	A1	22	1.15	3.00	60%	12.785	115/230	4
0.5	0.37	1800	56YZ	<a href="#">.5018ES1RAD56NZ-S</a>	\$409	A1	31	1.15	3.50	68%	13.572	115/230	4, 52
0.75	0.55	1800	56YZ	<a href="#">.7518ES1RAD56NZ-S</a>	\$447	A1	34	1.15	3.50	74%	13.572	115/230	4, 52
0.75	0.55	1800	56Y	<a href="#">.7518ES1RAD56N-S</a>	\$464	A1	34	1.15	3.50	74%	16.660	115/230	4, 52
0.75	0.55	3600	56YZ	<a href="#">.7536ES1RAD56NZ-S</a>	\$470	A1	33	1.15	3.63	68%	12.593	230	4, 52
1	0.75	1800	56Y	<a href="#">00118ES1RAD56N-S</a>	\$481	A1	35	1.15	4.64	76%	14.640	115/230	4, 52
1.5	1.1	1800	56Y	<a href="#">00158ES1RAD56N-S</a>	\$597	A1	43	1.15	6.50	77%	15.427	115/230	4

4) Manual Reset Thermal Overload Protector  
52) Suitable to work at 60/50hz

# W01 Auger Drive Motors

## General construction

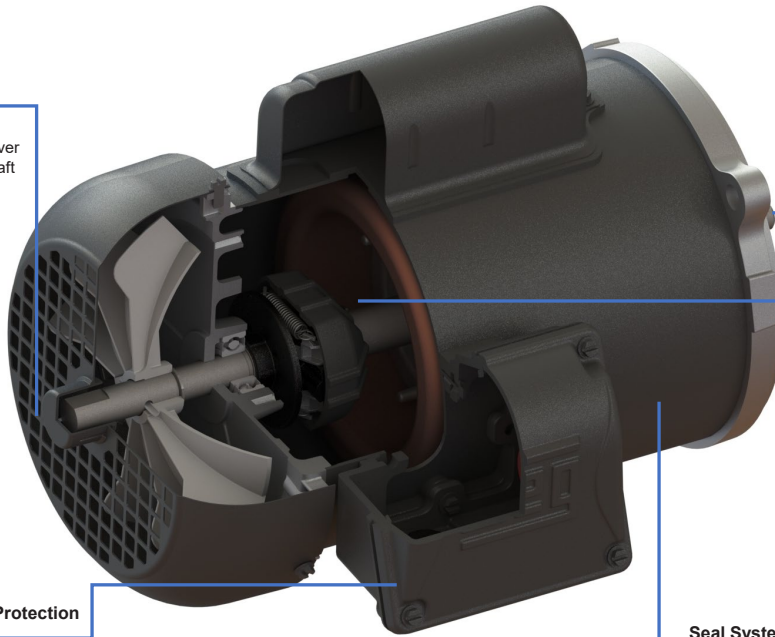
- Rolled Steel Frame
- Impact-resistance steel fan cover
- Plastic shaft cover on NDE shaft
- T-Box: Rotation on 90° stages

## Certifications



## Performance and Protection

- High starting torque
- Low Noise design
- Manual overload protection



## Mounting

- NEMA N Flange
- Easy assembly with WEG gearboxes (or other brand).
- Footless frame

## Auxiliary Winding Switch System

- Sturdy Centrifugal Switch
- Over-speed protector
- Long lifespan system

## Seal System

- Excellent dust and moisture protection
- Excellent Protection to jets of water



WEG's scope of solutions is not limited to the products and solutions presented in this brochure.

**Contact WEG for information on additional products and solutions.**

**For WEG's worldwide operations visit our website**



**[www.weg.net](http://www.weg.net)**



 **1-800-ASK-4WEG**

 **info-us@weg.net**

 **Duluth, GA**