

# CPTW Series

## Control Power Transformers

### Compact and Economical Solutions



www.weg.net | 1-800-ASK-4WEG

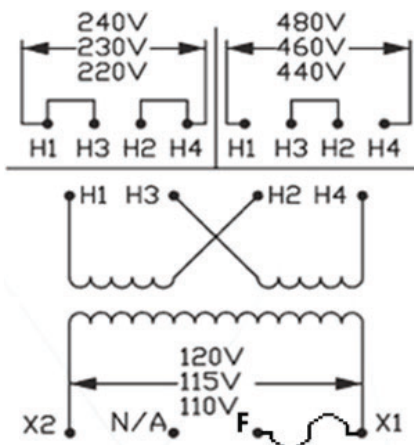
## VOLTAGE TABLE

VA	Primary Voltage	Secondary Voltage	Part Number
350	220 x 440, 230 x 460, 240 x 480	110, 115, 120	CPTW350-ARC-F0
Max Depth	Max Width	Max Height	Mounting Depth
5.28"	4.50"	4.04"	3.75"
Mounting Width	Mounting Hole Depth	Mounting Hole Width	Phase
3.75"	0.20"	0.41"	1
Frequency	Shipping Weight	Voltage Group	
50/60 Hz	13.6 lbs.	A	

0.0K

▽ R { ] ^ \ S a \ A a a O j a @ a @ A [ o s & ~ a ^ a  
 ▽ O a a A B I + A A @ A O ^ ] c O C D A @ } A ~ ^ A j a ~ A s ^ A s & ~ a ^ a A C E A @ A H E X O D  
 ▽ O a a A F A B A A A @ A P a @ A O D A @ } A ~ ^ A s [ & A s & ~ a ^ a A F E C A a A A [ | ^ D C E A @ A H E X O D  
 ▽ O a a A F B A A A @ A P a @ A O D A @ } A ~ ^ A s [ & A s & ~ a ^ a A F E C A a A A [ | ^ D C E A @ A H E X O D

## DIAGRAM



## SPECIFICATIONS

- Class 130°C (266°F) insulation system with 80°C (176°F) temperature rise.
- All transformers up to 750VA come with pre-installed secondary fuse kits, ready to accept 13/32" x 1 1/2" midget or Class CC fuses.
- Two parallel jumper links come standard with transformers with dual primary voltages.
- All transformers up to 3kVA include a built-in mounting adapter for fuse blocks.