

# Marine Motors

## Industrial Motors

Commercial &  
Appliance Motors

Automation

Digital &  
Systems

Energy

Transmission &  
Distribution

Coatings

Three Phase  
Motors



Driving efficiency and sustainability



# The WEG Group

---

WHENEVER YOU NEED A RELIABLE SUPPLIER OF PRODUCTS FOR MARINE APPLICATIONS, COUNT ON WEG.



**Availability** = Global service network + Spare parts



**Partnership** = Local single contact point + Project management



**Competitiveness** = World class technologies + Class approvals



**WEGnology** = Know-how + One-stop shop

WEG is a globally-accepted Supplier of high performance electric motors for the marine industry, using the latest technologies regarding electric motors and its manufacturing process to supply products with best quality. The combination of reliable and versatile product with top notch service, makes WEG one of the largest suppliers of electric motors in the world.

Our culture is based on the great support to every case, working hard to find the best possible solution for your application and matching or exceeding client's expectation. This culture lead us to develop successful, long-lasting relationships with countless customers operating in the marine market.

# Global Presence

## SERVING THE MARINE INDUSTRY GLOBALLY

Our global structure allows us to be closer to our customers. Over 32 subsidiaries established in key countries are prepared to provide you with technical and commercial support; our manufacturing plants strategically located in the main markets can serve you with short deliveries; and our network of over 1,250 Authorized Service Agents located in the five continents are fully equipped to give you prompt after sales and service support.



# Marine Certification

WEG has type approval for several major classification societies such as:

- ABS - American Bureau of Shipping
- LRS - Lloyd's Register
- RINA - Registro Italiano Navale
- NK - Nippon Kaiji Kyokai
- BV - Bureau Veritas
- RS - Russian Marine Register of Shipping
- CCS - China Classification Society
- DNV - Det Norske Veritas

Our products can be supplied for other marine societies under demand:

- KR - Korean Register
- IRS - Indian Register of Shipping
- Turk Loydu

In the cases where type approval is not required from the society or the motors are not covered, WEG will supply a works certificate or a specific product certificate, depending on motor output power and service type.



# “Essential” and “Non-Essential” Services

Depending on the motor’s intended application, the classification societies normally define equipment for either “Essential Service” or “Non-Essential Service”.

## Essential Service

“Essential” or “Primary Essential Services” are those services that need to be in continuous operation for maintaining the vessel’s manoeuvrability with regard to propulsion and steering.

Essential services are also those services that need not necessarily be in continuous operation for maintaining the vessel’s manoeuvrability, but which are necessary for maintaining the vessel’s functions and the safety of people - emergency services included. Examples of equipment which can be classed as Essential Service: Propulsion motors and shaft generators, motors for steering gear, anchor winches, thruster motors (e.g. for drill ships), lubrication and cooling pumps and engine starting compressors.

## Non-Essential Service

“Non-Essential Services” are all other applications that are not listed for essential services and which do not represent any potential danger to the safety or steering of the vessel. They are implemented according to the instructions of the classification society, but no separate testing is necessary (factory certificates are accepted).



# WEG Motors

Reliability is of the utmost importance for electric motors utilized in the extreme operating conditions associated with marine applications: humid, salt-laden and corrosive atmospheres.

Based on a comprehensive range of standard products, WEG supplies electric motors in accordance with international standards and in compliance with the requirements of the main Classification Societies.

Utilized across the marine industry on offshore platforms, ocean going vessels, passenger ships etc, WEG motors are found both on deck and below deck operating in a wide range of applications. Application can be used in most several environments, including hazardous areas. For every customer application, a WEG product can be supplied.

## W22 Safe

Squirrel cage motor for safe area

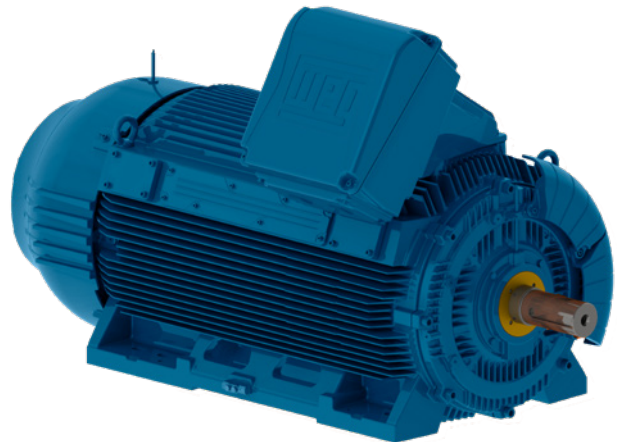
- Output power: 0.12kW up to 550 kW
- Voltage up to 6.6kV
- Frame: 63 up to 355
- Protection degree: IP55 up to IP66
- Cooling Method: TEFC (totally enclosed fan cooled)
- Painting Plan: C2 up to CX (as per ISO 12944)
- Efficiency: Up to IE4 Super Premium Efficiency



## W51HD

Squirrel cage motor for safe and Hazardous Area Zone 2

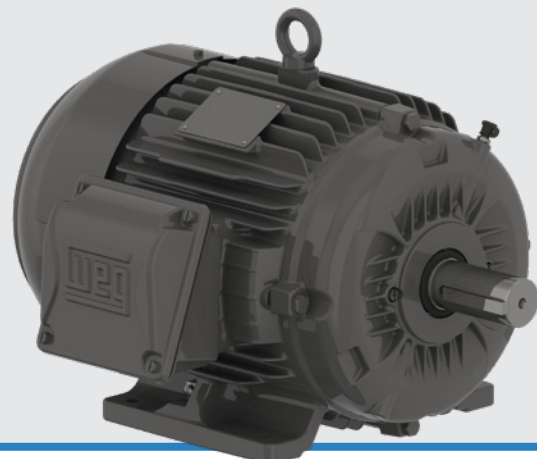
- Output power: 160 kW up to 1400 kW
- Voltage up to 11 kV
- Frame: 315 up to 450
- Protection degree: IP55 up to IP66
- Cooling Method: TEFC (totally enclosed fan cooled)
- Painting Plan: C4 up to CX (as per ISO 12944)



## WMagnet

Permanent Magnet motor for use with VFD

- Output power: 3 kW up to 630 kW
- Voltage up to 690V
- Frame: 132 up to 450
- Protection degree IP55 up to IP66
- Cooling Method: TEFC (totally enclosed fan cooled)
- Painting Plan: C2 up to CX (as per ISO 12944)
- Efficiency: Up to IE5 Efficiency



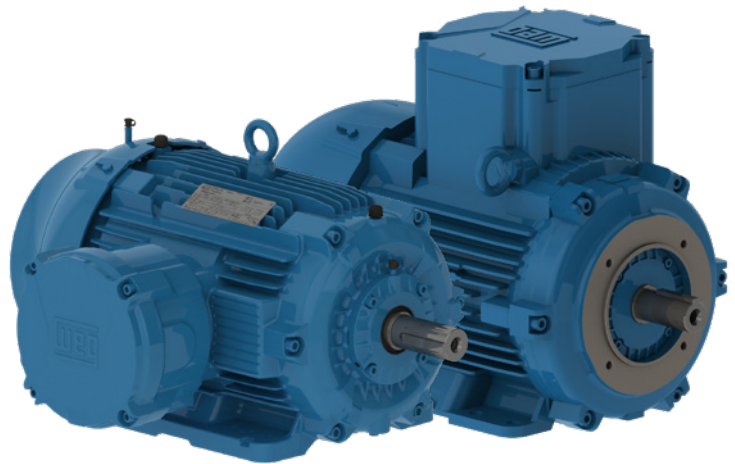
### Water cooled

- Squirrel cage motor Water cooled for safe area
- Output power: 22 kW up to 450 kW
  - Voltage up to 690V
  - Frame: 200, 250 and 315
  - Protection degree IP66
  - Cooling Method: TEWC (totally enclosed water cooled)
  - Painting Plan: C4 up to CX (as per ISO 12944)
  - Efficiency: Up to IE4 Super Premium Efficiency



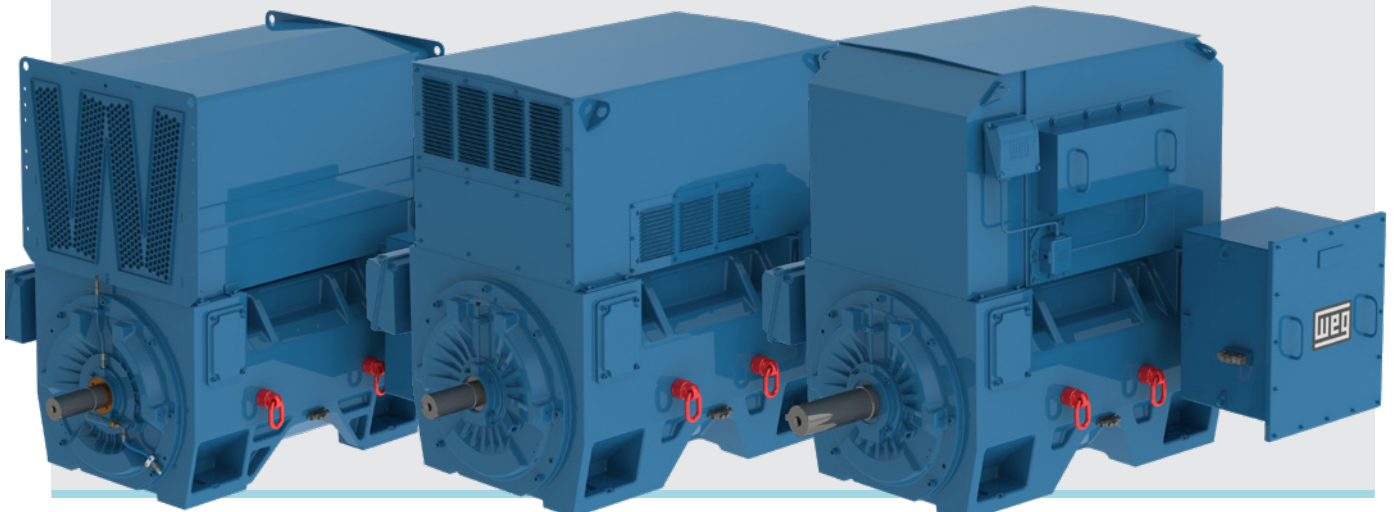
### W22Xdb

- Squirrel cage motor for Hazardous Area – Zone 1
- Output power: 0.25kW up to 1600 kW
  - Voltage up to 11kV
  - Frame: 71 up to 560
  - Protection degree: IP55 up to IP66
  - Cooling Method: TEFC (totally enclosed fan cooled)
  - Painting Plan: C2 up to CX (as per ISO 12944)
  - Efficiency: Up to IE4 Super Premium Efficiency



### W60

- Squirrel cage motor with heat exchanger for safe and Hazardous Area Zone 2
- Output power: 160 kW up to 1800 kW
  - Voltage up to 11 kV
  - Frame: 315 up to 400
  - Protection degree: IP24 up to IP66
  - Cooling Method: WP II (IC01), TEAAC (IC611) and TEWAC (IC81W)
  - Painting Plan: C4 up to CX (as per ISO 12944)



The scope of WEG Group solutions is not limited to the products and solutions presented in this brochure


**To know our portfolio, contact us.**

**For WEG's worldwide operations visit our website**




**[www.weg.net](http://www.weg.net)**



 +55 47 3276.4000

 [motores@weg.net](mailto:motores@weg.net)

 Jaraguá do Sul - SC - Brasil

Cód: 50127274 | Rev: 00 | Data (m/a): 04/2023.

The values shown are subject to change without prior notice.

The information contained is reference values.