

CPTW Series

Control Power Transformers

Compact and Economical Solutions



www.weg.net | 1-800-ASK-4WEG

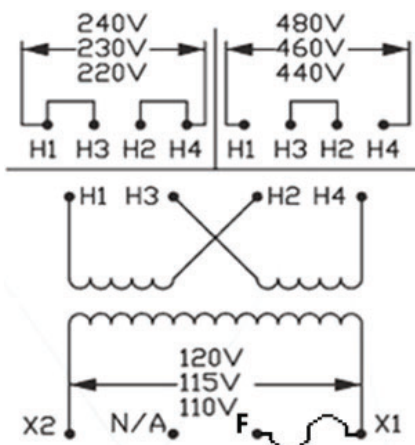
VOLTAGE TABLE

VA	Primary Voltage	Secondary Voltage	Part Number
750	220 x 440, 230 x 460, 240 x 480	110, 115, 120	CPTW750-ARC-F0
Max Depth	Max Width	Max Height	Mounting Depth
7.00"	5.25"	4.66"	5.38"
Mounting Width	Mounting Hole Depth	Mounting Hole Width	Phase
4.38"	0.31"	1.06"	1
Frequency	Shipping Weight	Voltage Group	
50/60 Hz	28.1 lbs.	A	

WEG

WEG is a global leader in electrical equipment, providing a wide range of products and services for industrial and commercial applications. Our commitment to quality and innovation ensures that we deliver reliable and efficient solutions for our customers.

DIAGRAM



SPECIFICATIONS

- Class 130°C (266°F) insulation system with 80°C (176°F) temperature rise.
- All transformers up to 750VA come with pre-installed secondary fuse kits, ready to accept 13/32" x 1 1/2" midget or Class CC fuses.
- Two parallel jumper links come standard with transformers with dual primary voltages.
- All transformers up to 3kVA include a built-in mounting adapter for fuse blocks.