

ADDENDUM TO THE CFW-08 FREQUENCY INVERTER USER MANUAL



05/2005

CFW-08 COLD PLATE

0899.5079 E/1



ATTENTION!

Information presented in this addendum applies only to CFW-08 models with special hardware (H6). Hence, check if the "H6" tag appears on the intelligent code of the product identification sticker.

This special hardware was designed in order to allow mounting the CFW-08 frequency inverter in any heat dissipation surface, since following recommendations are fulfilled.

Installing the Frequency Inverter on the Heat Dissipation Surface – Steps:

1. Mark out the positions of the mounting holes on the backing plate where the frequency inverter will be located (see in figure 1 drawing and hole size).
2. The surface that is in contact with frequency inverter dissipation surface must be free of dirt and burr. Standard requirements are: The backing plate flatness (considering an area of 100mm²) shall be less than 50µm and the roughness less than 10µm.
Note: After operation, check P008. This parameter must not exceed 65°C for 1.6, 2.6 and 4.0 A models, and 75°C for the 7.0 A model.
3. Use 5/32 (M4) mounting screws in order to fasten the frequency inverter to the backing plate. Bolt length "a" (see figure 2) must not exceed 9 mm. Tighten the screws with the same torque (1.5N.m).

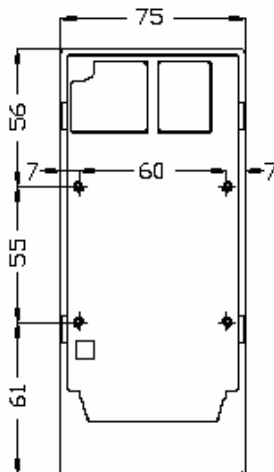


Figure 1 – Mounting holes positions

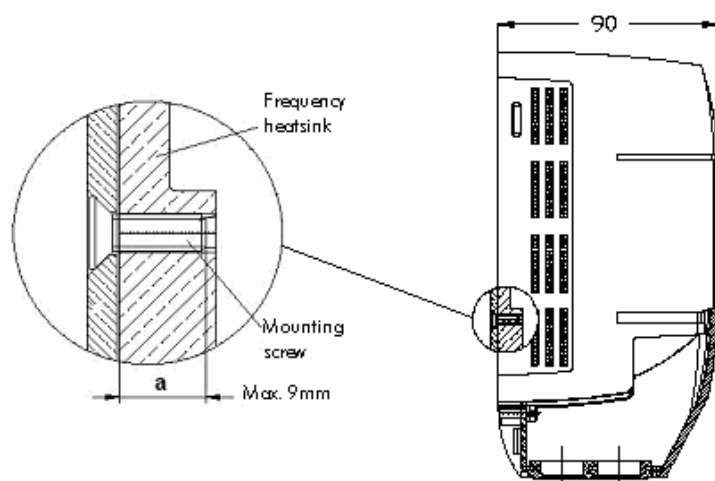


Figure 2 – Mounting screws detail

4. After drilling the holes, clean the contact surface of the backing plate and coat it with a thin thermal paste layer, or with a heat conducting foil or similar product (approx. 100µm).
5. Continue the mechanical installation as indicated in Chapter 3.1 of the frequency inverter user manual.
Note: Table 3.2 of the user manual shall not be considered for this special frequency inverter. External dimensions and mounting holes are according to the figures of this addendum.
6. Electrical installation shall be performed as indicated in the Chapter 3.2 of the frequency inverter user manual.