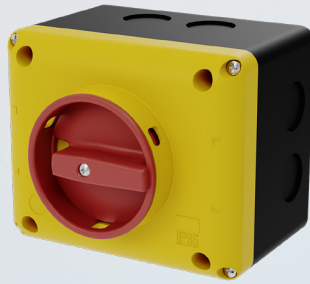
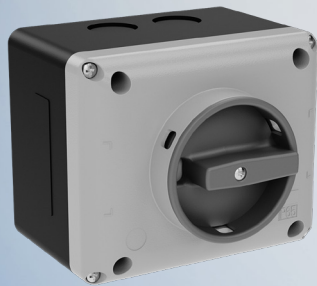


Motors
Automation
Energy
Transmission and
Distribution
Coatings

MSWB Series

Enclosed Disconnect Switches



MSWB

Introducing the WEG MSWB Series Enclosed Disconnect Switches, compact switching solutions for AC power applications. The MSWB was developed according to IEC 60947-3 and UL508. It is used for manually isolating or interrupting electrical circuits under load conditions. Often used as a means for secondary lock-out / tag-out scenarios. The switches are available in 3 poles up to 80A for resistive loads and up to 32A for inductive applications.

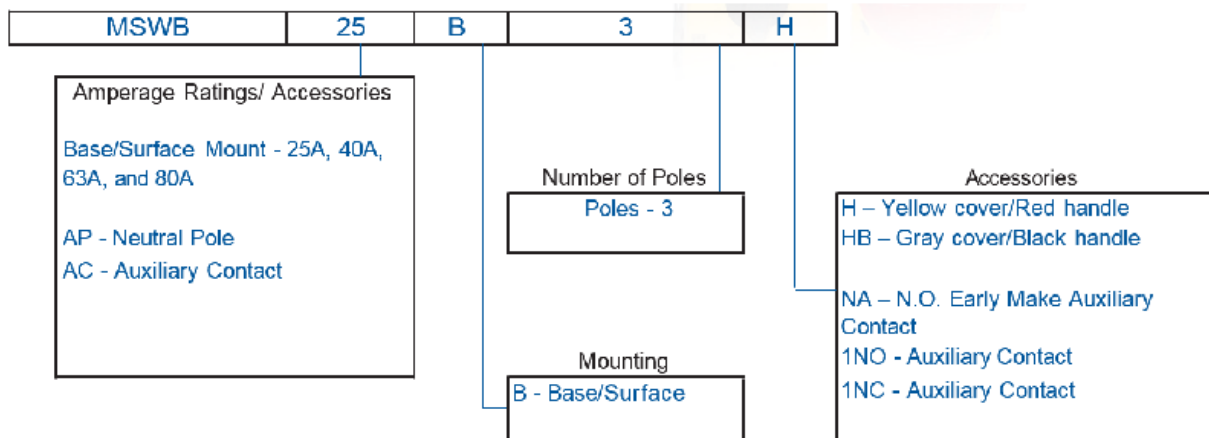


UL **us** **CE**
 UL File No. E172121

Standard Features

- Suitable as Motor Disconnect
- Surface mounting
- Two color options:
 - Yellow cover with red handle
 - Gray cover with black handle
- Thermoplastic and robust Type 1, 4, 4X (IP65) enclosure with black enclosure base
- Protection ratings:
 - IP65 protection rating for handles allowing up to three padlocks in “OFF” position
 - IP20 protection rating for internal terminals
- Knock-outs for cable gland provides flexibility for cable entry/exit on the top, bottom, and rear of the box

MSWB Catalog Number Sequence



Enclosed Disconnect Switches for Base/Surface

Disconnect Switches in Type 1, 4, 4X (IP65) Enclosure ¹⁾

Catalog Number	AC-21 UL508 General Use @600 VAC (FLA)	UL508 Motor Load			Mounting	Pole	Front Part Color	List Price	Multiplier
		HP (FLA)							
		240 VAC	480 VAC	600 VAC					
MSWB 25 B3 H	32	7.5 (22)	10 (14)	15 (17)	Surface	3	Yellow cover / Red handle	\$190	Z13
MSWB 40 B3 H	40	10 (28)	15 (21)	20 (22)				\$235	
MSWB 63 B3 H	63	10 (28)	25 (34)	30 (32)				\$340	
MSWB 80 B3 H	80	15 (42)	30 (40)	40 (41)				\$400	
MSWB 25 B3 HB	32	7.5 (22)	10 (14)	15 (17)			Gray cover / Black handle	\$190	
MSWB 40 B3 HB	40	10 (28)	15 (21)	20 (22)				\$235	
MSWB 63 B3 HB	63	10 (28)	25 (34)	30 (32)				\$340	
MSWB 80 B3 HB	80	15 (42)	30 (40)	40 (41)				\$400	

Note: 1) Black enclosure base.

Neutral Pole ^{2) 3)}

Catalog Number	Enclosed Disconnect Switch	Contact	List Price	Multiplier
MSW AP 25-B-1-NA	MSWB25	1 NO early make	\$42	Z13
MSW AP 40-B-1-NA	MSWB40	1 NO early make	\$42	
MSW AP 63-B-1-NA	MSWB63	1 NO early make	\$49	
MSW AP 80-B-1-NA	MSWB80	1 NO early make	\$49	

Notes: 2) The same neutral pole for the base-mount MSW disconnect switches.

3) Only one neutral pole per one enclosed disconnect switch and can be installed on either side

Auxiliary Contact ^{4) 5) 6)}

Catalog Number	Enclosed Disconnect Switch	Contact	List Price	Multiplier
MSW AC-40 B 1NC	MSWB25 / MSWB40	1NC	\$35	Z13
MSW AC-40 B 1NO	MSWB25 / MSWB40	1NO	\$35	
MSW AC-80 B 1NC	MSWB63 / MSWB80	1NC	\$37	
MSW AC-80 B 1NO	MSWB63 / MSWB80	1NO	\$37	

Notes: 4) Same as the base-mount MSW's auxiliary contact.

5) Direct side mounting on the disconnect switch.

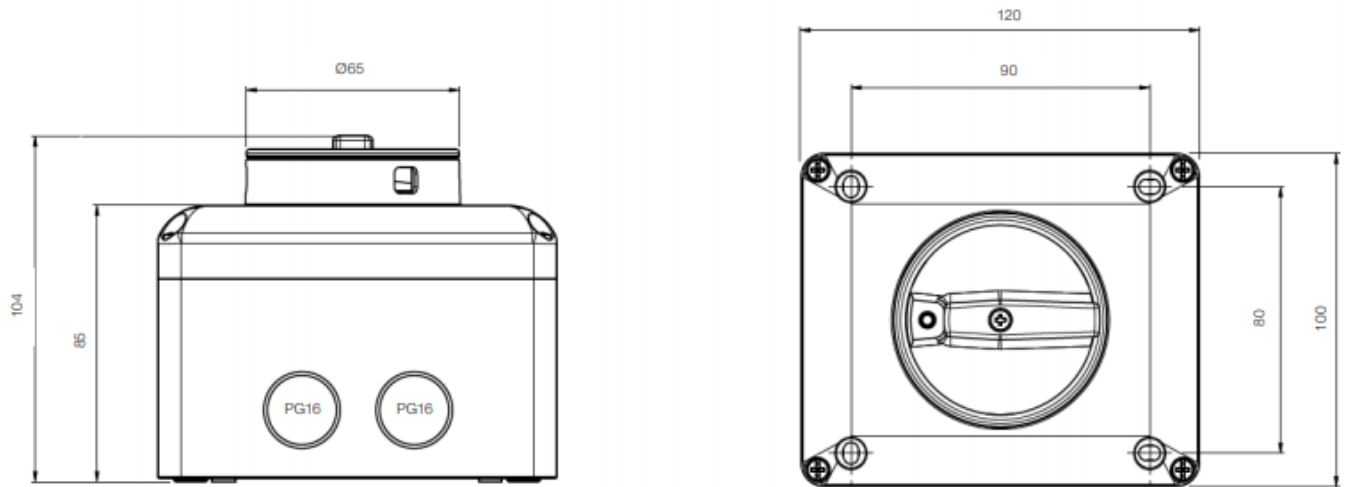
6) Up to two auxiliary contacts can be installed per one enclosed disconnect switch (one contact block on each side of the disconnect switch).

Technical Data

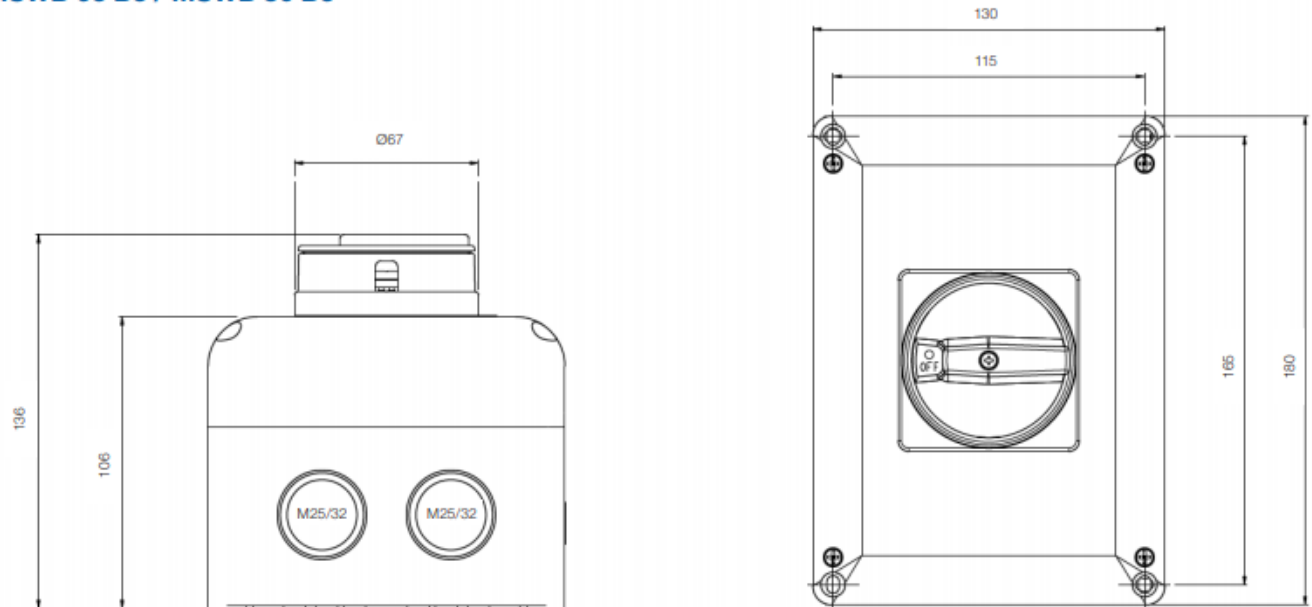
EN 60947-3 characteristics			MSW 25	MSW 40	MSW 63	MSW 80	Auxiliary contacts	
			MSWB 25	MSWB 40	MSWB 63	MSWB 80		
Rated operating voltage Ue		V	690					
Rated insulation voltage Ui		V	690					
Rated impulse withstand voltage Uimp		kV	8	8	8	8	4	
Rated thermal current Ith = Iu		A	32	40	63	80	16	
Rated thermal current in enclosed Ithe		A	32	40	63	80	10	
Frequency		Hz	50/60					
Rated operating current Ie: alternate current								
AC-21 A	690 V	A	32	40	63	80	AC-15 500 V - 4 A	
AC-22 A	500 V	A	-	-	-	-	DC-13 250 V - 0.4 A	
	690 V	A	25	32	63	80		
AC-22 A	Three phase 3 poles	230 V	A/kW	25/7.5	32/10	63/20	80/25	-
		400 V	A/kW	25/15	32/18.5	50/28	75/42	-
		500 V	A/kW	25/15	32/22	50/35	75/52	-
		690 V	A/kW	16/15	20/18.5	26/25	32/31	-
AC-3	Single phase 2 poles	110 V	A/kW	-	-	-	-	-
		230 V	A/kW	-	-	-	-	-
	Three phase 3 poles	230 V	A/kW	22/5.5	27/7.5	45/14	60/19	-
		400 V	A/kW	22/11	27/15	40/22	60/30	-
Rated interruption current AC-23 A (cos- 0.45)	230 V	A	200	256	360	600	-	
		A	200	256	360	536	-	
		A	200	256	280	536	-	
		A	128	160	176	256	-	
Rated short-time short circuit withstand current - Icw (1s)		A	800	800	1,200	1,500	-	
Short-circuit making capacity (peak value) - Icm		A	1,500	1,500	2,200	2,800	-	
Conditional rated short circuit withstand current		kA	10	10	10	10	1	
Fuse rating gG	500 V	A	-	-	-	-	10	
	690 V	A	40	40	63/80	63/80	-	
UL 508 characteristics								
General use		600 V ac	A	32	40	60	80	HD A600 AC Q600 DC
Standard motors load	Single phase	120 V ac	HP (FLA)	1.5 (20)	2 (24)	2 (24)	3 (34)	-
	2 poles	240 V ac	HP (FLA)	3 (17)	5 (28)	5 (28)	7.5 (40)	-
	Three phase	240 V ac	HP (FLA)	7.5 (22)	10 (28)	10 (28)	15 (42)	-
	3 poles	480 V ac	HP (FLA)	10 (14)	15 (21)	25 (34)	30 (40)	-
		600 V ac	HP (FLA)	15 (17)	20 (22)	30 (32)	40 (41)	-
Protection degree		Handle	EN 60529 (UL 50)	IP65 (TYPE 1 - 4 - 4X - NEMA 4X)				-
		Terminals	EN 60529	IP20				-
Material group		EN 60947-1		II				
Pollution grade		EN 60947-1		3				
Flammability		UL 94		V0				
Ambient temperature		Operation	°C	-25 + 55				
		Storage	°C	-30 + 70				
Switching force (3 poles)			0.8 Nm (7.1 lb.in.)		1 Nm (8.85 lb.in.)		-	
Connection								
Terminal block caliber		EN 60947-1		A6	A8		A2	
Terminal screw				M4	M5			
Tightening torque		EN 60947-1		1.2 Nm	3 Nm		0.8 Nm	
		UL 508		7 lb.in. (0.8 Nm)	32 lb.in. (3.6 Nm)		12 lb.in. (1.3 Nm)	
Connection cross-section								
Flexible conductors		mm2	1.5-10		6-25		1-2.5	
		AWG	12-8		10-2		18-12	
Solid conductors		mm2	1.5-10		10-25		1-2.5	
		AWG	12-8		10-2		18-12	
Opening angles						90°		
Mechanical life 120 operations per hour mil/cl						100,000		
						1,500,000		

Dimensions (mm)

MSWB 25 B3 / MSWB 40 B3



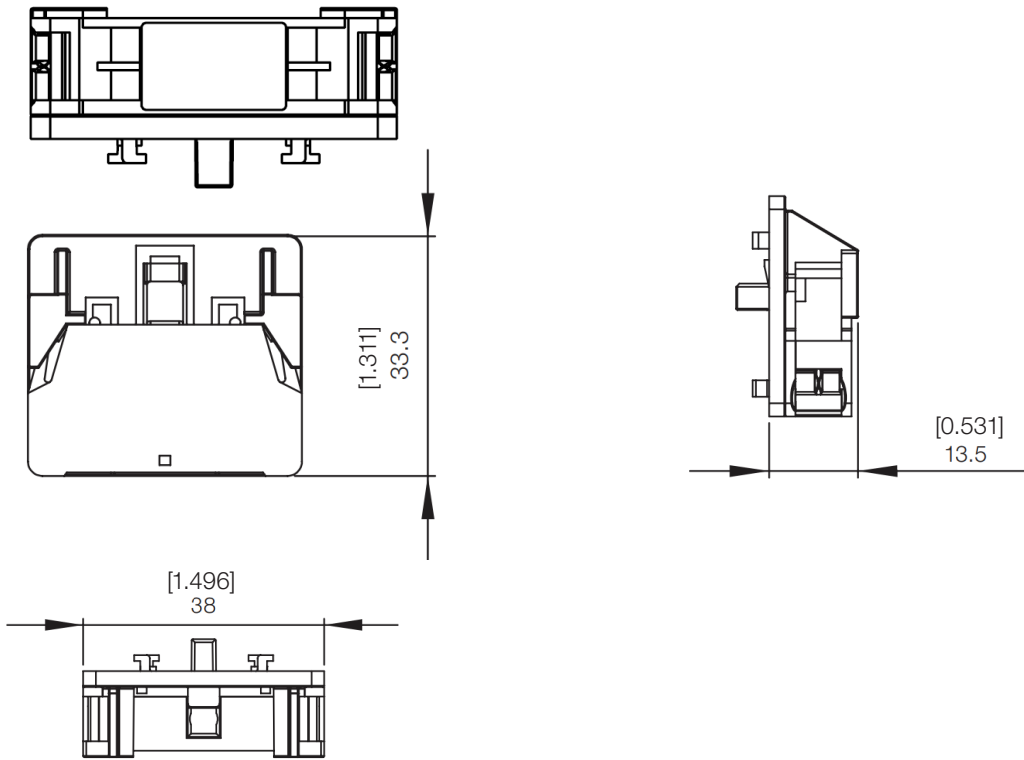
MSWB 63 B3 / MSWB 80 B3



Dimensions (mm) [in]

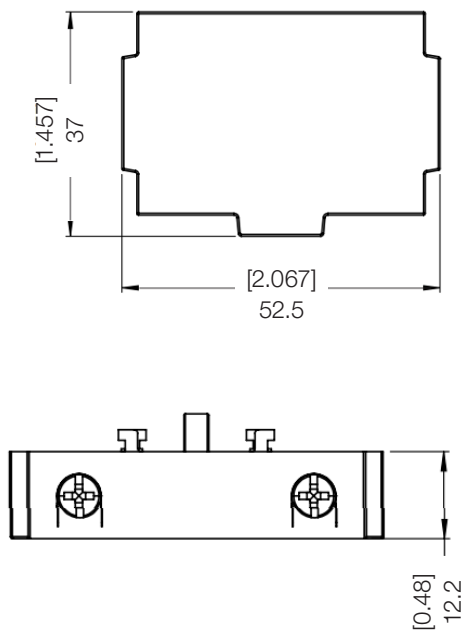
Auxiliary Contact

MSW AC-40...80-B-INC / MSW AC-40...80-B-INO

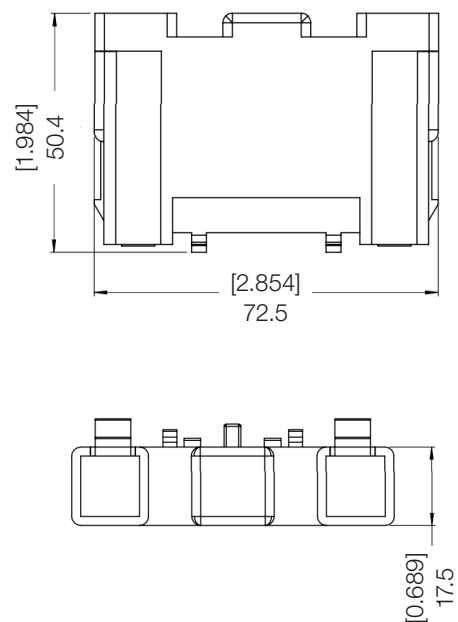


Neutral Pole

MSW AP 25...40-B-INA



MSW AP 63...80-B-INA



My Notes:

Lined area for taking notes, consisting of 28 horizontal lines.

WEG's scope of solutions is not limited to the products and solutions presented in this brochure.

Contact WEG for information on additional products and solutions.

For WEG's worldwide operations visit our website



www.weg.net



 1-800-ASK-4WEG

 info-us@weg.net

 Duluth, GA

US.MSWB.2022

Information contained herein is subject to change without notice.