

CPTW Series

Control Power Transformers

Compact and Economical Solutions



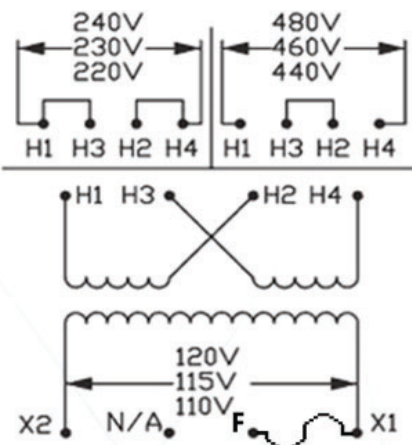
www.weg.net | 1-800-ASK-4WEG

VOLTAGE TABLE

VA	Primary Voltage	Secondary Voltage	Part Number
75	220 x 440, 230 x 460, 240 x 480	110, 115, 120	CPTW075-AQC-F0
Max Depth	Max Width	Max Height	Mounting Depth
3.82"	3.00"	2.79"	2.50"
Mounting Width	Mounting Hole Depth	Mounting Hole Width	Phase
2.50"	0.20"	0.41"	1
Frequency	Shipping Weight	Voltage Group	
50/60 Hz	3.50 lbs.	A	

▽ R {] ^ / S a \ A a a O j a @ a @ A [o s & r a a
 ▽ O a a A B I + A A @ A O ^] o A C D A @ } A · A & j a A A & r a a A C E A @ A I E X O D
 ▽ O a a A F A B A A A @ A P a @ A O D A @ } A · A A [& A A & r a a A F E C A a A A [I · D C E A @ A I E X O D
 ▽ O a a A F B A A A @ A P a @ A O D A @ } A · A A [& A A & r a a A F E C A a A A [I · D C E A @ A I E X O D

DIAGRAM



SPECIFICATIONS

- Class 130°C (266°F) insulation system with 55°C (131°F) temperature rise.
- All transformers up to 750VA come with pre-installed secondary fuse kits, ready to accept 13/32" x 1 1/2" midget or Class CC fuses.
- Two parallel jumper links come standard with transformers with dual primary voltages.
- All transformers up to 3kVA include a built-in mounting adapter for fuse blocks.