

WEG Electric Machinery Diode Wheels

Always the Right Choice

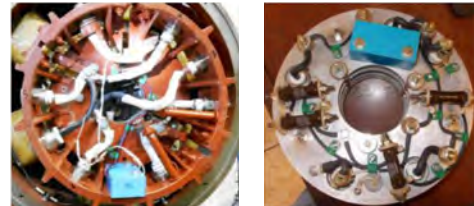


No company has more experience with rotating rectifiers (diode wheels), and you can count on WEG Electric Machinery to provide quality Parts and Service for all our products.

What is a Reluctance Diode Wheel?

Many legacy motors synchronize using “reluctance” which means the excitation cabinet applies excitation once the motor has nearly-reached synchronous speed. These diode wheels are difficult to test and maintain, and spares may be costly and include long lead-times.

Commonly-Used Diode Wheels on Reluctance-Type Synchronous Motors



The WEG Electric Machinery Reluctance Diode Wheel

The WEG Electric Machinery Reluctance Diode Wheel builds on our tradition of quality, user-serviceability, and simple design.

Our Reluctance Diode Wheel continues this tradition with the following features:

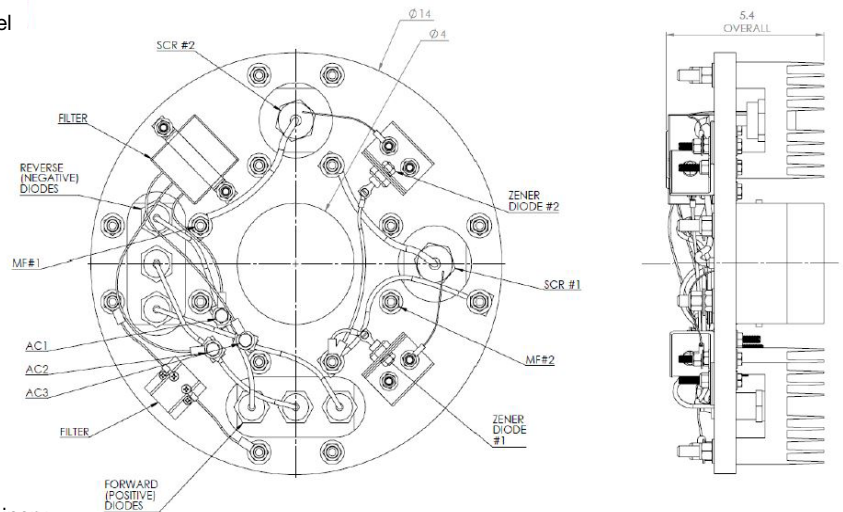
- All Components in-stock
- Standardized Diodes and SCR's
- Minimal Connections
- Flexible Wheel Fits Many Applications
- Easy to Test, Easy to Install

Standard Wheel Operating Limits:

- 250VDC Passing Voltage
- 180ADC Passing Current
- 850V Blocking Voltage
- 720RPM Operating Speed

Other ratings available – Contact WEG Electric Machinery for details

The WEG Electric Machinery Reluctance Diode Wheel Schematic



PUT OUR EXPERIENCE AND DEDICATION TO WORK. CALL WEG ELECTRIC MACHINERY TODAY!

For more information, please contact:

E-mail: service-em@weg.net

Phone: 24 Hour Customer Support: +1 (612) 247-9232



Transforming Energy into Solutions www.weg.net/us

ELECTRIC MACHINERY COMPANY

800 Central Avenue NE
Minneapolis, MN 55413
United States
Tel: +1 (612) 378-8000
Fax: +1 (612) 378-8051

www.electricmachinery.com