

# Automation

## Product End-of-Life Instructions

### DECENTRALIZED CONTROL STATIONS - PBW



## Purpose

The dispose of the product must be in accordance with the legislation of the country where they are situated. This document is intended to help end users, direct recyclers or waste treatment facilities to assure the proper end-of-life treatment for the components and materials of the product. The materials shall be separated correctly and disposed for special treatment, when necessary.

**Note 1:** The intent of this document is to provide guidance on the presence of materials and components at the product/family level, as required by the Directive 2012/19/EU, Waste Electrical and Electronic Equipment (WEEE).

**Note 2:** Products that comply with the WEEE are marked with a crossed-out wheeled bin symbol, as show beside, which indicates:

- The product cannot be disposed of in a municipal waste collection point;
- It should undergo a waste sorting process of electrical and electronic equipment and batteries;
- The horizontal bar below the wheeled bin indicates the device was placed on the market after August 13, 2005.



**Note 3:** Products of this range are in accordance with European RoHS Directive 2011/65/EU and Directive 2015/863.

## Product overview

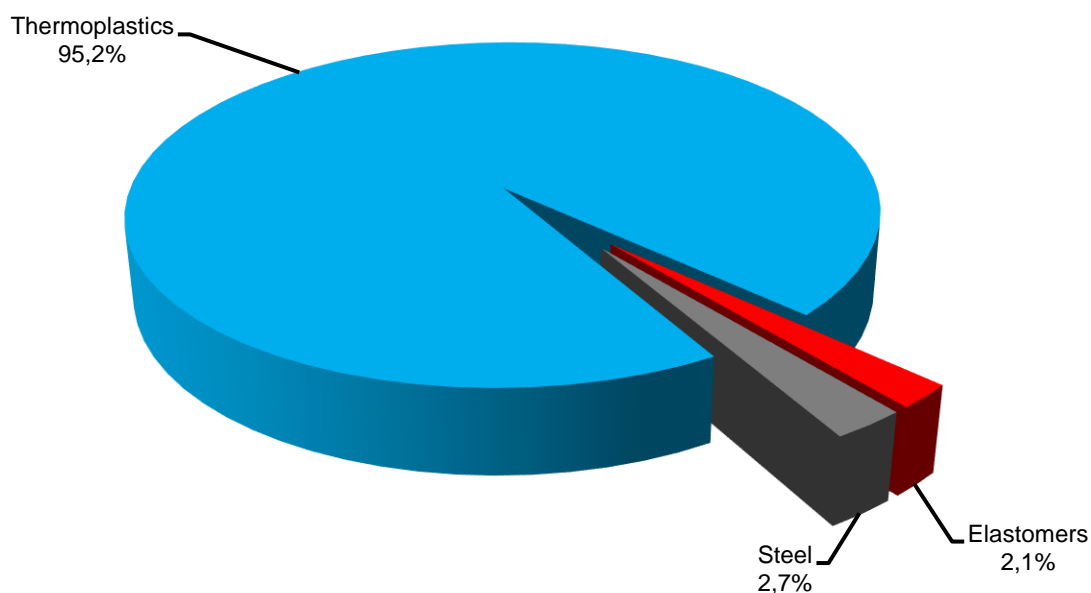
**Product Range:** PBW-1; PBW-1Y; PBW-2; PBW-2Y; PBW-3; PBW-3Y; PBW-4; PBW-6.

**Size (H x L x D) [mm]:** PBW-1 / PBW-1Y (79 x 74 x 58.2); PBW-2 / PBW-2Y (79 x 117 x 58.2); PBW-3 / PBW-3Y (79 x 150 x 58.2); PBW-4 (79 x 183 x 58.2); PBW-6 (79 x 249 x 58.2).

**Weight [g]:** Between 114 and 276 excluding packaging.

The analysis used for this product range is based on Decentralized Control Station PBW-3.

### Materials Used or Constituent Materials



The materials used in the product range and the corresponding weight are disposed below, in *table 1*. The information about the constituent materials is referring to model PBW-3.

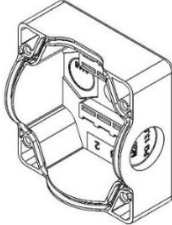
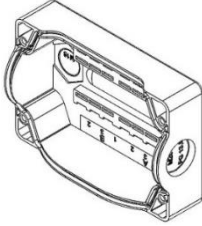
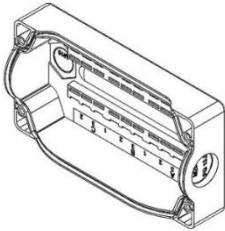
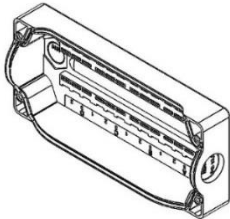
Table 1 – Materials and corresponding weight for referring product PBW-3.

Material	Weight [g]
Steel	5.46
Thermoplastics	193.20
Elastomers	4.33

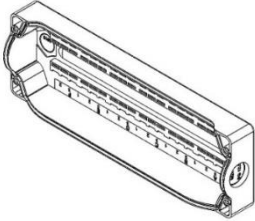
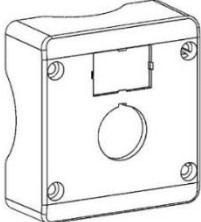
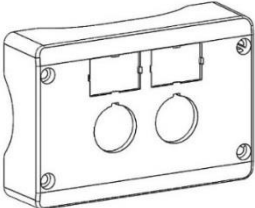
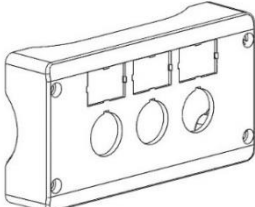
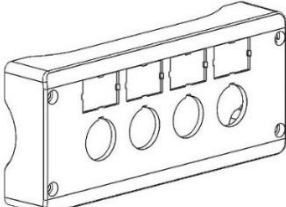
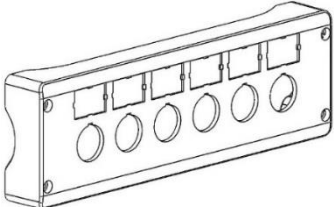
**Caution:**


\* Plastic parts with brominated flame retardant are listed in Table 2. Recommendation: **special treatment.**

Table 2 – Plastic parts with brominated flame retardant.

Components	Weight [g]
	<p>50.00</p> <p>*For 1 CSW-PBW</p>
	<p>82.00</p> <p>*For 2 CSW-PBW</p>
	<p>100.00</p> <p>*For 3 CSW-PBW</p>
	<p>110.00</p> <p>*For 4 CSW-PBW</p>



Components	Weight [g]
	<p>140.00 *For 6 CSW-PBW</p>
	<p>56.90 *For 1 CSW-PBW</p>
	<p>78.50 *For 2 CSW-PBW</p>
	<p>91.30 *For 3 CSW-PBW</p>
	<p>108.80 *For 4 CSW-PBW</p>
	<p>139.00 *For 6 CSW-PBW</p>



**Further Information:** This range of product contains others devices, such as contactors and overload relays. The instructions for disposal these devices are given in the End-of-Life document of the corresponding device.

**Recommended operation for the end-of-life:**

Dismantle the product | Remove components | **Recycle it!**

## WEG importers in the European Union

### AUSTRIA

WATT DRIVE ANTRIEBSTECHNIK  
GMBH  
Wöllersdorfer Str. 68, 2753 Markt  
Piesting  
Phone: +43 2633 4040  
[www.wattdrive.com](http://www.wattdrive.com)

### FRANCE

WEG FRANCE SAS  
13 Rue du Morellon, 38297 Saint  
Quentin Fallavier.  
Phone: +33 47499 1135  
[www.weg.net/fr](http://www.weg.net/fr)

### ITALY

WEG ITALIA S.R.L.  
Via Viganò de Vizzi, 93/95, 20092  
Cinisello Balsamo, Milano  
Phone: +39 6129 3535  
[www.weg.net/it](http://www.weg.net/it)

### PORTUGAL

WEG EURO - INDUSTRIA  
ELECTRICA S.A.  
R. Eng. Frederico Ulrich 605, 4471-  
908 Maia  
Phone: +351 229 477 705  
[www.weg.net/pt](http://www.weg.net/pt)

### SWEDEN

WEG SCANDINAVIA AB  
Box 27, 435 21, 43533 Mölnlycke  
Phone: +46 31 888000  
[www.weg.net/se](http://www.weg.net/se)

### BELGIUM

WEG BENELUX S.A.  
Rue de l'Industrie 30/D, 1400  
Nivelles  
Phone: +32 67 888420  
[www.weg.net/be](http://www.weg.net/be)

### GERMANY

WEG GERMANY GMBH  
Geigerstraße 7, 50169  
Industriegebiet Türnich 3, Kerpen  
Phone: +49 2237 92910  
[www.weg.net/de](http://www.weg.net/de)

### NETHERLANDS

WEG NETHERLANDS  
Hanzepoort 23C, 7575 DB  
Oldenzaal  
Phone: +31 541 571090  
[www.weg.net/nl](http://www.weg.net/nl)

### SPAIN

WEG IBERIA INDUSTRIAL S.L.  
C/ Tierra de Barros, 5-7,  
28823 Coslada, Madrid  
Phone: +34 91 6553008  
[www.weg.net/es](http://www.weg.net/es)

### UNITED KINGDOM

WEG (UK) LTD  
Broad Ground Road, Redditch  
B988YP, Worcestershire  
Phone: +44 1527 513800  
[www.weg.net/uk](http://www.weg.net/uk)

Information valid for WEG Group Importers.