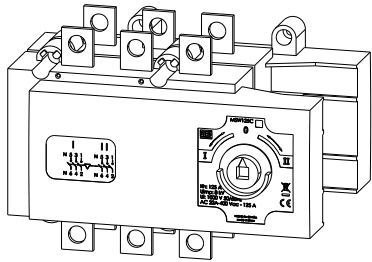
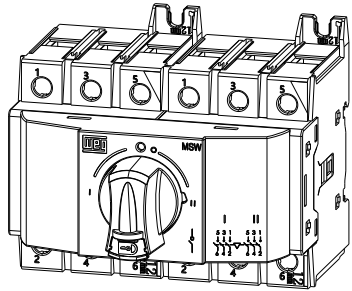




USER INSTRUCTION

MSW Change Over Switches

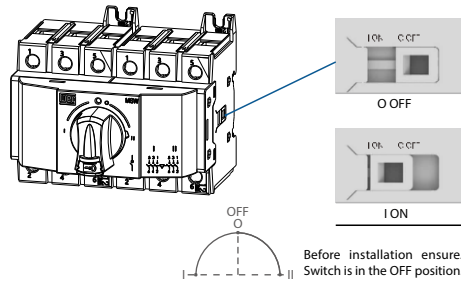


SERVICE, TRANSPORT AND STORAGE CONDITION A

- Normal using conditions
 - Ambient air temperature: MSW016-080C: -25°C...+40°C and the average temperature within 24h cannot exceed +35°C. MSW125-160C: -25°C...+55°C.
 - Altitude: The altitude of the installation site cannot exceed 2000m.
 - Humidity: At +40°C, the relative humidity of the air cannot exceed 50%. Higher relative humidity is allowed at lower temperatures as long as no condensation appears in product surface.
 - Pollution degree: Level 2.
- Installation conditions
 - Product must be installed in a shock and vibration free environment and protected from rain, snow and direct sunlight.
 - Installation category: Class III.
- Transport and storage conditions
 - MSW016-80C: -40°C...+55°C.
 - MSW125-160C: -40°C...+70°C.

⚠ Note: When the above-mentioned normal use, installation, transport and storage conditions are exceeded. The user should reach a special agreement with the company.

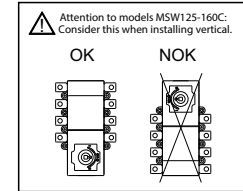
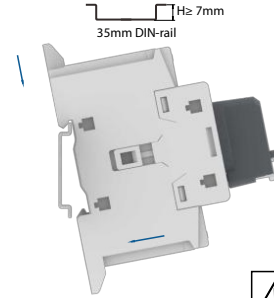
ON/OFF INDICATION B



INSTALLATION C

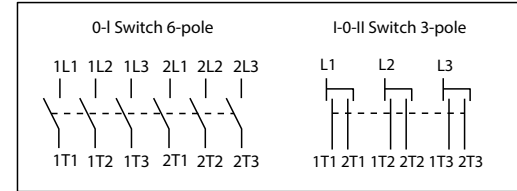
- Check before installation
 - The technical data on the nameplate meets actual requirements.
 - Appearance: no visible mark of external damage.
- D Type - DIN-rail installation:

Confirm that the switch is off, the DIN-rail is fixed in the cabinet, mounting the switch as the figure.

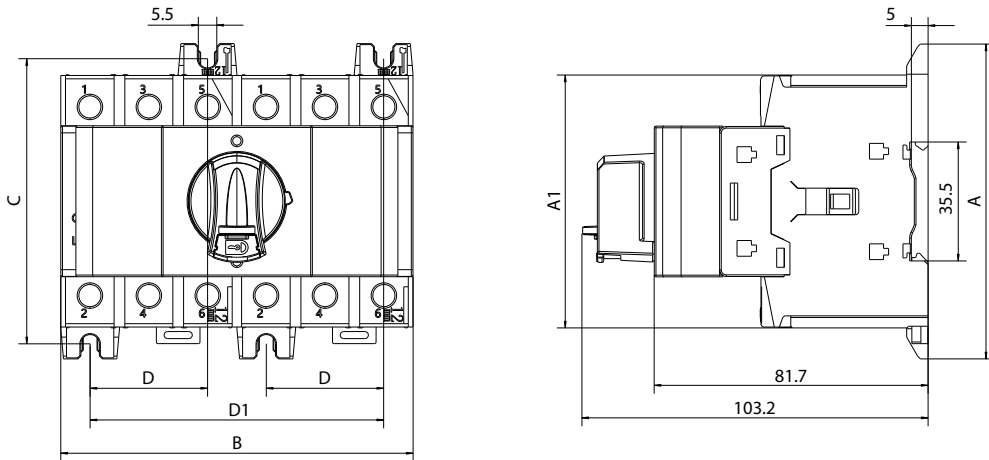


SERVICE, TRANSPORT AND STORAGE CONDITION D

- Live parts: Installation, maintenance and repair should be operated by qualified personnel.
- It is strictly forbidden to install the product in the environment containing inflammable and explosive gas and wet condensation, and it is strictly forbidden to operate the product with wet hands.
- It is strictly forbidden to touch the conductive part of the product during product operation.
- Product installation or dismantling must be performed in "OFF" position.
- Keep space around the product to ease wiring and allow ventilation.
- Installation environment must be non corrosive.
- Wiring must be performed with specified gauges/sections.
- To prevent harmful situations, the product must be installed and fixed in strict accordance with the requirements of the manual.
- After the package is removed, the product should be checked for damage if any damage is found do not install the products as it may lead to unexpected malfunction.
- Strange objects should be prevented from falling into the product.

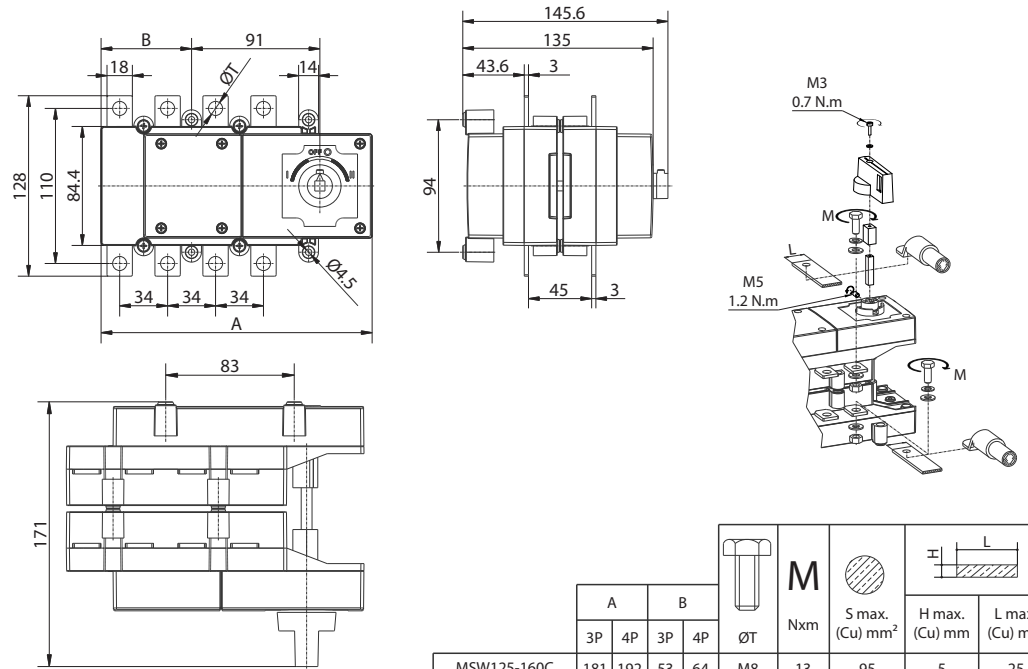


DIMENSIONS MSW016-80C E



	A	A1	B	C	D	D1
MSW016-40C	87	68.5	71	78	23.7	59.2
MSW063-80C	94	75.5	105	85	35	87.5

DIMENSIONS MSW125-160C F



	A		B		ØT	M	Nxm	S max. (Cu) mm ²	L	
	3P	4P	3P	4P					H max. (Cu) mm	L max. (Cu) mm
MSW125-160C	181	192	53	64	M8	13	95	5	25	

WEG IMPORTERS IN THE EUROPEAN UNION

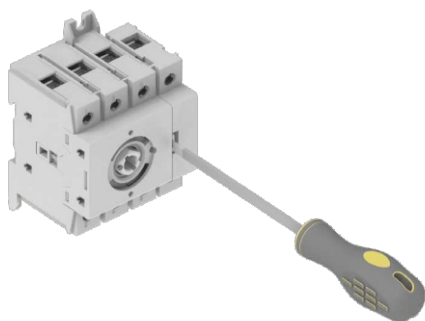
AUSTRIA - WATT DRIVE ANTRIEBSTECHNIK GMBH - Wöllersdorfer Str. 68, 2753 Markt Piesting, Wiener, Austria; **BELGIUM** - WEG BENELUX S.A. - Rue de l'Industrie 30/D, 1400 Nivelles, Belgium; **FRANCE** - WEG FRANCE SAS - 13 Rue du Moreillon, 38297 Saint Quentin Fallavier, France; **GERMANY** - WEG GERMANY GMBH - Geigerstraße 7, 50169 Industriegebiet Türnich 3, Kerpen, Germany; **ITALY** - WEG ITALIA S.R.L. - Via Viganò de Vizzi, 93/95, 20092 Cinisello Balsamo, Milano, Italy; **NETHERLANDS** - WEG NETHERLANDS - Hanzepoort 23C, 7575 DB Oldenzaal, Netherlands; **PORTUGAL** - WEG EURO-INDUSTRIA ELECTRICA S.A. - R. António Joaquim Campos Monteiro 510, 4780-165 Santo Tirso, Portugal; **SPAIN** - WEG IBERIA INDUSTRIAL S.L. - C/ Tierra de Barros, 5-7, 28823 Coslada, Madrid, Spain; **SCANDINAVIA** - WEG SCANDINAVIA AB - Box 27, 435 21, 43533 Mölnlycke, Sweden; **UNITED KINGDOM** - WEG (UK) LTD - Broad Ground Road, Redditch B988YP, Worcestershire, United Kingdom.

Information valid for WEG Group Importers.

MAIN PARAMETERS		G							
Frame	MSW016-40C	MSW063-80C	MSW125-160C						
Rated insulation voltage UI	800V		1000V						
Rated impulse with-stand voltage Uimp	8kV								
Conventional free air thermal current Ith									
(A)	16	20	25	32	40	63	80	125	160
Rated operational current Ie (A, AC-23A)									
415V	16	20	25	32	40	63	80	125	160
Wiring capacity (solid wire, cross sectional area)									
(mm)	1.5-16		2.5-35		95				
Tightening torque of terminal screws									
(Nm)	1.2-1.4		2.5-2.8		13				
Terminal type	Pozidriv, Allen and Phillips								
Protection Level	IP20								

ACCESSORIES INSTALLATION MSW016-80C H

Add-on disassemble



WARRANTY:

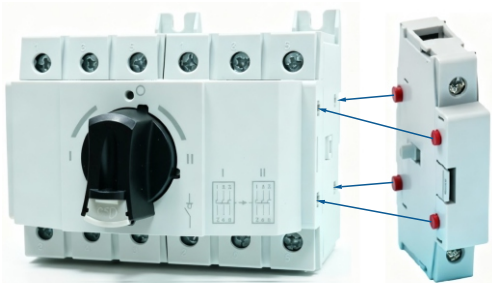
WEG provides a limited warranty for its products against defects in materials and workmanship. For more information access our site: www.weg.net/warranty-automation

WARNING:

- Installation and maintenance to be performed by authorized personnel only.
- User is cautioned to observe all recommendations, warnings and cautions relating to safety of personnel and equipment as well as general and local health and safety laws, codes and procedures.

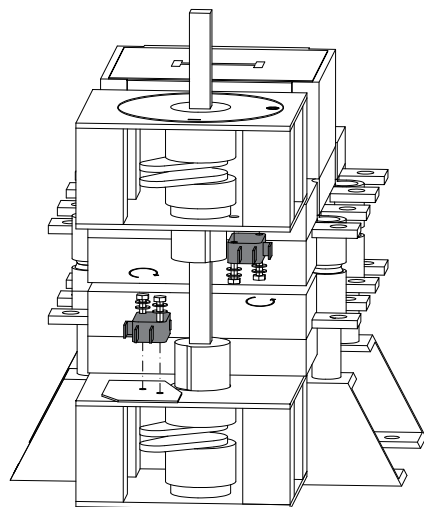
ACCESSORIES INSTALATION MSW016-80C K

Add-on auxiliary contact / Add-on fourth pole



ACCESSORIES INSTALLATION MSW125-160C L

Auxiliary Contact



MODEL SPECIFICATION AND ACCESSORIES MSW016-160C I

TERMINAL SHROUD

	1P	3P
MSW016-40C	MSW-TS1-1P	MSW-TS1-3P
MSW063-80C	MSW-TS2-1P	MSW-TS2-3P
MSW125-160C		
UP 3P	DOWN 3P	4P
MSW-TS4-3PU	MSW-TS4-3PD	MSW-TS4-4P

ADD-ON POLE

	Simultaneous
MSW016-40C	MSW-AP1-S
MSW063-80C	MSW-AP2-S

MSW125-160C models include an integrated additional pole in the 4P disconnect switch.

	Neutral fixed
MSW016-40C	MSW-AP1-N
MSW063-80C	MSW-AP2-N

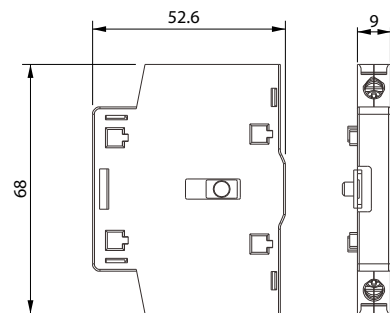
AUXILIARY CONTACTS

MSW016-80C	
1NO+1NC	2NC
MSW-AC-11-S	MSW-AC-20-S

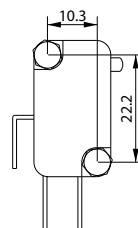
MSW125-160C	
1NO+1NC	MSW-AC-11-C
2NO+2NC	MSW-AC-22-C

ACCESSORIES DIMENSIONS MSW016-160C M

Auxiliary contact



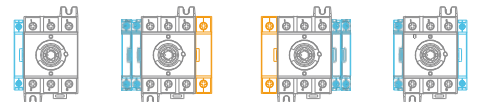
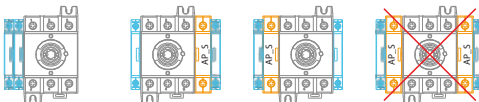
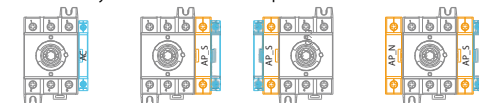
MSW-AC-20-S/MSW-AC-11-S



MSW-AC-11-C/MSW-AC-22-C

ACCESSORIES INSTALLATION MSW016-80C J

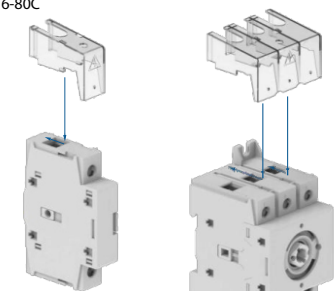
Add-on auxiliary contact / Add-on fourth pole



- The installation of the auxiliary contact and additional pole must be carried out with the switch disconnecter in the "ON" position.
- MSW-AC auxiliary contact blocks shall not be installed on the MSW-AP_-N additional neutral pole.
- A maximum of three blocks is permitted, with no more than two blocks on the same side.
- Two MSW-AP_ additional poles shall not be installed on the same side.
- Two MSW-AP_-S simultaneous-type poles shall not be assembled on a single switch disconnecter.

ACCESSORIES INSTALLATION MSW016-160C N

- Terminal shroud
- MSW016-80C



MSW125-160C

