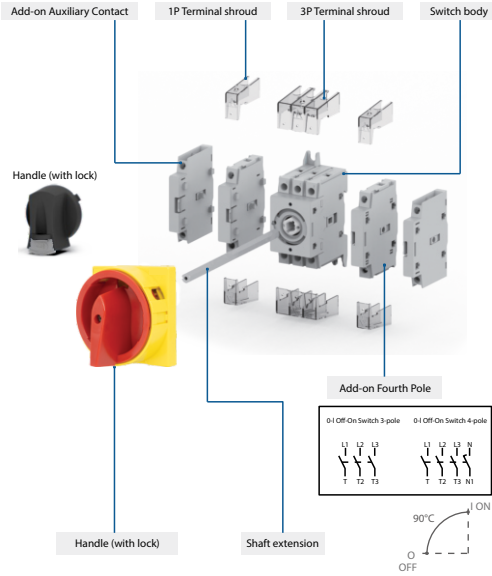




USER INSTRUCTION

MSW Switch-disconnector



SERVICE, TRANSPORT AND STORAGE CONDITION

A

- Normal using conditions
 - Ambient air temperature: -25°C...+40°C, and the average temperature within 24h cannot exceed +35°C.
 - Altitude: The altitude of the installation site cannot exceed 2000m.
 - Humidity: At +40°C, the relative humidity of the air cannot exceed 50%. Higher relative humidity is allowed at lower temperatures as long as no condensation appears in product surface.
 - Pollution degree: Level 2.

Installation conditions

- The product must be installed in a shock and vibration free environment and protected from rain, snow and direct sunlight.
- Installation category: Class III.

Transport and storage conditions

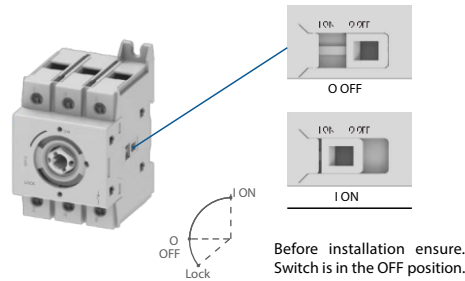
Between -25°C and +55°C, and up to +70°C in short time (24h).



Note: When the above-mentioned normal use, installation, transport and storage conditions are exceeded, The user should reach a special agreement with the company.

ON/OFF INDICATION

B



INSTALLATION

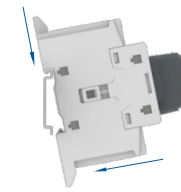
C

Check before installation

- The technical data on the nameplate meets actual requirements.
- Appearance: no visible mark of external damage.

D Type - DIN-rail installation:

- Confirm that the switch is off, the DIN-rail is fixed in the cabinet, mounting the switch as the right figure.

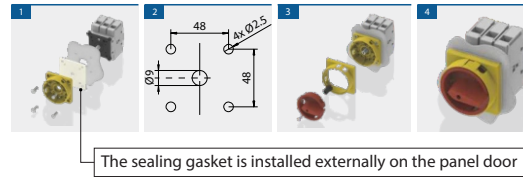


INSTALLATION

D

F type - Panel mounting

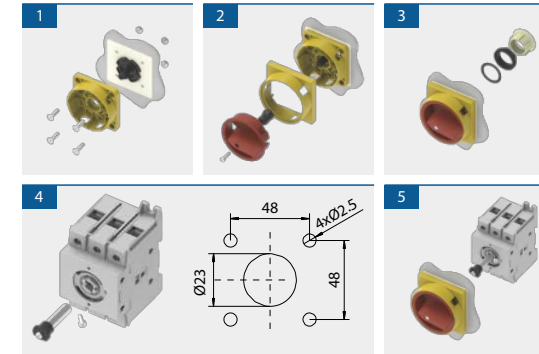
Handle with lock



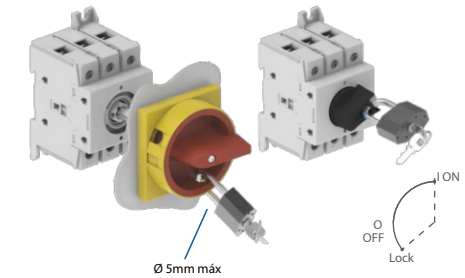
The sealing gasket is installed externally on the panel door

B type - Door interlocked, panel mounting

Handle with lock



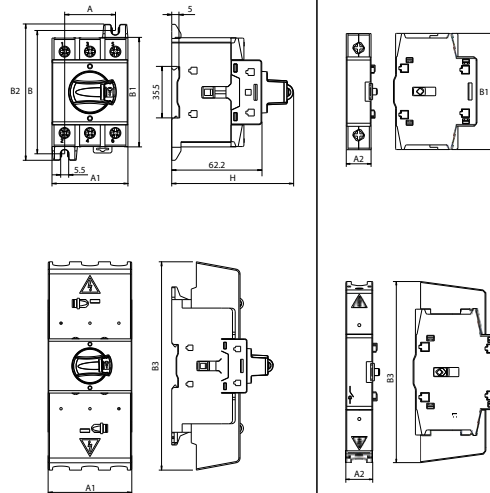
Handle lock



DIMENSIONS

E

MSW016-125D

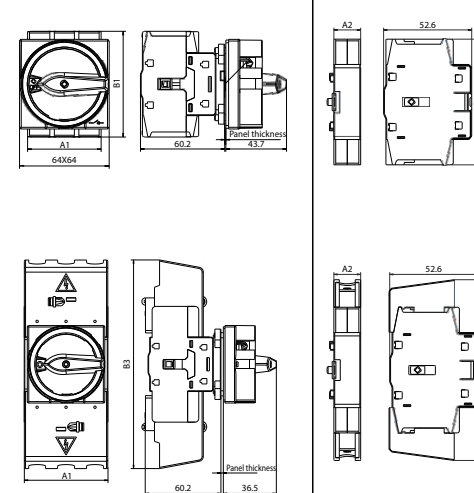


	A	A1	A2	B	B1	B2	B3	H
MSW016-40D	23.7	35.5	11	78	68.5	87	95.3	83.7
MSW063-80D	35	52.5	16	85	75.5	94	107.9	83.7
MSW100-125D	23.9	69.1	21.3	122	109.6	130.6	172.5	83.7

DIMENSIONS

F

MSW016-125F

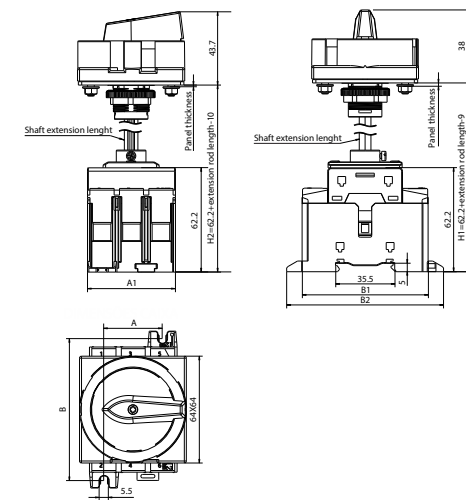


	A1	A2	B1	B3
MSW016-40F	35.5	11	68.5	95.4
MSW063-80F	52.5	16	75.5	107.9
MSW100-125F	69.1	21.3	109.6	172.5

DIMENSIONS

G

MSW016-125B



	A	A1	B	B1	B2
MSW016-40B	23.7	35.5	78	68.5	87
MSW063-80B	35	52.5	85	75.5	94
MSW100-125B	23.9	69.1	122	109.6	130.6



10013806079.02
WEG Automação
www.weg.net

WEG IMPORTERS IN THE EUROPEAN UNION

AUSTRIA - WATT DRIVE ANTRIEBSTECHNIK GMBH - Wöllersdorfer Str. 68, 2753 Markt Piesting, Wiener, Austria; **BELGIUM** - WEG BENELUX S.A. - Rue de l'Industrie 30/D, 1400 Nivelles, Belgium; **FRANCE** - WEG FRANCE SAS - 13 Rue du Morellon, 38297 Saint Quentin Fallavier, France; **GERMANY** - WEG GERMANY GMBH - Geigerstraße 7, 50169 Industriegebiet Türnich 3, Kerpen, Germany; **ITALY** - WEG ITALIA S.R.L. - Via Viganò de Vizzi, 93/95, 20092 Cinisello Balsamo, Milano, Italy; **NETHERLANDS** - WEG NETHERLANDS - Hanzepoort 23C, 7575 DB Oldenzaal, Netherlands; **PORTUGAL** - WEG EURO-INDUSTRIA ELECTRICA S.A. - R. António Joaquim Campos Monteiro 510, 4780-165 Santo Tirso, Portugal; **SPAIN** - WEG IBERIA INDUSTRIAL S.L. - C/ Tierra de Barros, 5-7, 28823 Costada, Madrid, Spain; **SCANDINAVIA** - WEG SCANDINAVIA AB - Box 27, 435 21, 43533 Mölnlycke, Sweden; **UNITED KINGDOM** - WEG (UK) LTD - Broad Ground Road, Redditch B988YP, Worcestershire, United Kingdom.

Information valid for WEG Group Importers.

WARRANTY:

WEG provides a limited warranty for its products against defects in materials and workmanship. For more information access our site: www.weg.net/warranty-automation

WARNING:

- Installation and maintenance to be performed by authorized personnel only.
- User is cautioned to observe all recommendations, warnings and cautions relating to safety of personnel and equipment as well as general and local health and safety laws, codes and procedures.

SERVICE, TRANSPORT AND STORAGE CONDITION

H

- Live parts: Installation, maintenance and repair should be operated by qualified personnel.
- It is strictly forbidden to install the product in the environment containing inflammable and explosive gas and wet condensation, and it is strictly forbidden to operate the product with wet hands.
- It is strictly forbidden to touch the conductive part of the product during product operation.
- Product installation or dismantling must be performed in "OFF" position.
- Keep space around the product to ease wiring and allow ventilation.
- Installation environment must be non corrosive.
- Wiring must be performed with specified gauges/sections.
- To prevent harmful situations, the product must be installed and fixed in strict accordance with the requirements of the manual.
- After the package is removed, the product should be checked for damage if any damage is found do not install the products as it may lead to unexpected malfunction.
- Strange objects should be prevented from falling into the product.

MAIN PARAMETERS

I

Frame	MSW016-40	MSW063-80	MSW100-125						
Rated insulation voltage Ui	800V								
Rated impulse with-stand voltage Uimp	8kV								
Conventional free air thermal current Ith									
(A)	16	20	25	32	40	63	80	100	125
Rated operational current Ie (A, AC-23A)									
415V	16	20	25	32	40	63	80	100	125
500V	16	20	25	30	30	63	63	80	100
690V	16	20	20	20	20	40	40	63	63
Wiring capacity (Solid wire - Cross-sectional area)									
(mm)	1.5-16		2.5-35		10-70				
Tightening torque of terminal screws									
(Nm)	1.2-1.4		2.5-2.8		3.5-4				
Terminal type	Požidriv, Allen and Phillips								
Protection level	IP20, IP65 (With enclosure)								

MODEL SPECIFICATION AND ACCESSORIES MSW016-125

J

TERMINAL SHROUD

	1P	3P
MSW016-40	MSW-TS1-1P	MSW-TS1-3P
MSW063-80	MSW-TS2-1P	MSW-TS2-3P
MSW100-125	MSW-TS3-1P	MSW-TS3-3P

SHAFT EXTENSION

	MSW16-40	MSW63-125
150mm	MSW-SE150Y	MSW-SE150 G
200mm	MSW-SE200Y	MSW-SE200 G
320mm	MSW-SE320Y	MSW-SE200 G

ADD-ON POLE

	Simultaneous	
	D/B/E	F
MSW016-40	MSW-AP1-SF	MSW-AP1-S
MSW063-80	MSW-AP2-SF	MSW-AP2-S
MSW100-125	MSW-AP3-SF	MSW-AP3-S

	Neutral fixed	
	D/B/E	F
MSW016-40	MSW-AP1-N	MSW-AP1-NF
MSW063-80	MSW-AP2-N	MSW-AP2-NF
MSW100-125	MSW-AP3-N	MSW-AP3-NF

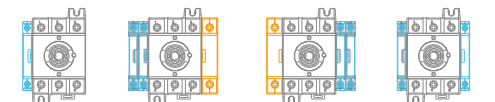
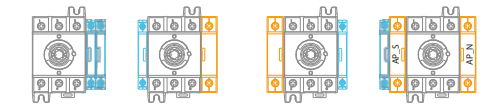
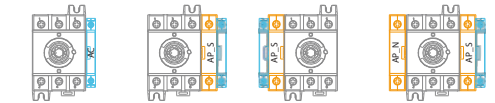
AUXILIARY CONTACTS

1NO+1NC		2NO	
D/B/E	F	D/B/E	F
MSW-AC-11-S	MSW-AC-11-F	MSW-AC-20-S	MSW-AC-20-F

ACCESSORIES INSTALLATION MSW016-125

K

- Add-on auxiliary contact / Add-on fourth pole

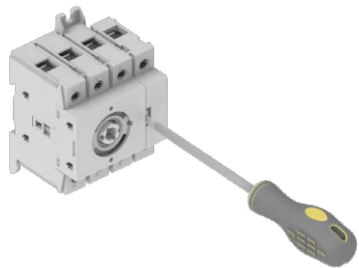


- The installation of the auxiliary contact and additional pole must be carried out with the switch disconnecter in the "ON" position.
- MSW-AC auxiliary contact blocks shall not be installed on the MSW-AP_N additional neutral pole.
- A maximum of three blocks is permitted, with no more than two blocks on the same side.
- Two MSW-AP_ additional poles shall not be installed on the same side.
- Two MSW-AP_S simultaneous-type poles shall not be assembled on a single switch disconnecter.

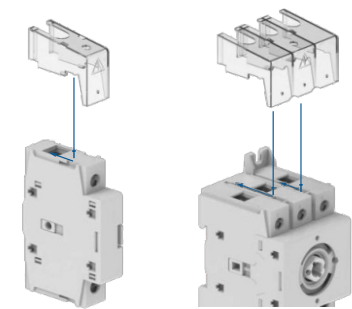
ACCESSORIES INSTALLATION MSW016-125

L

- Add-on disassemble



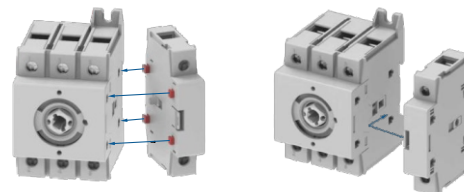
- Terminal shroud



ACCESSORIES INSTALLATION MSW016-125

M

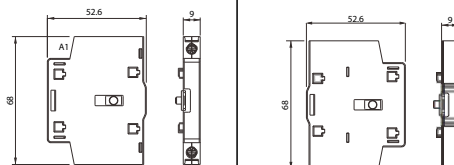
- Add-on auxiliary contact
- Add-on fourth pole installation



ACCESSORIES DIMENSIONS MSW016-125

N

Auxiliary contact

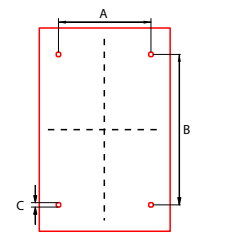


MSW-AC-20-S/MSW-AC-11-S

MSW-AC-20-F/MSW-AC-11-F

ENCLOSURE INSTALLATION

O

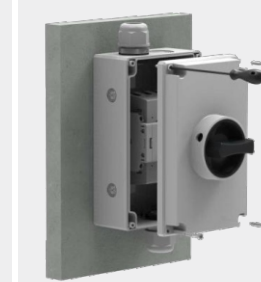


	A	B	C
MSW016-40	90.2	121.2	M4
MSW063-80	105.2	171.2	M4
MSW100-125	185.5	283.5	M5

Fig.2



Fig.3



ENCLOSURE INSTALLATION

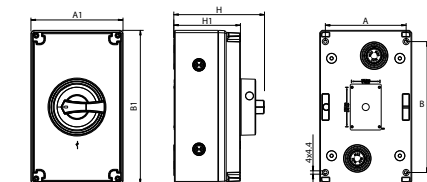
P



ENCLOSURE DIMENSIONS

Q

Enclosure series (E)



	A1	B1	H	H1	A	B
MSW016-40E	105	150	118	86.8	90.2	121.2
MSW063-80E	120	200	118	86.8	105.2	171.2
MSW100-125E	205	320	142	110.8	185.5	283.5