

WG50

Industrial
gearboxes

Industrial Motors

Commercial &
Appliance Motors

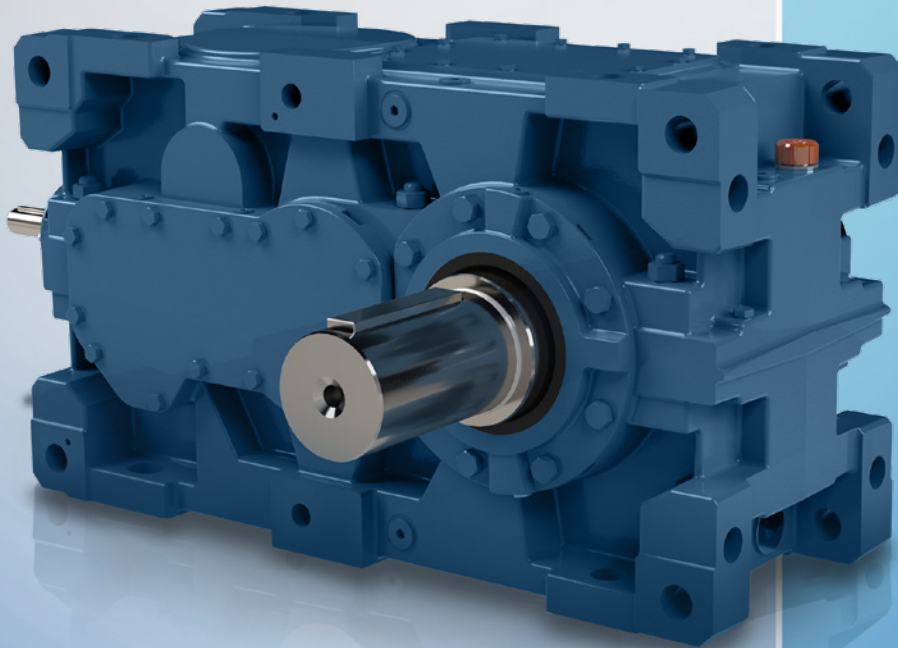
Automation

Digital &
Systems

Energy

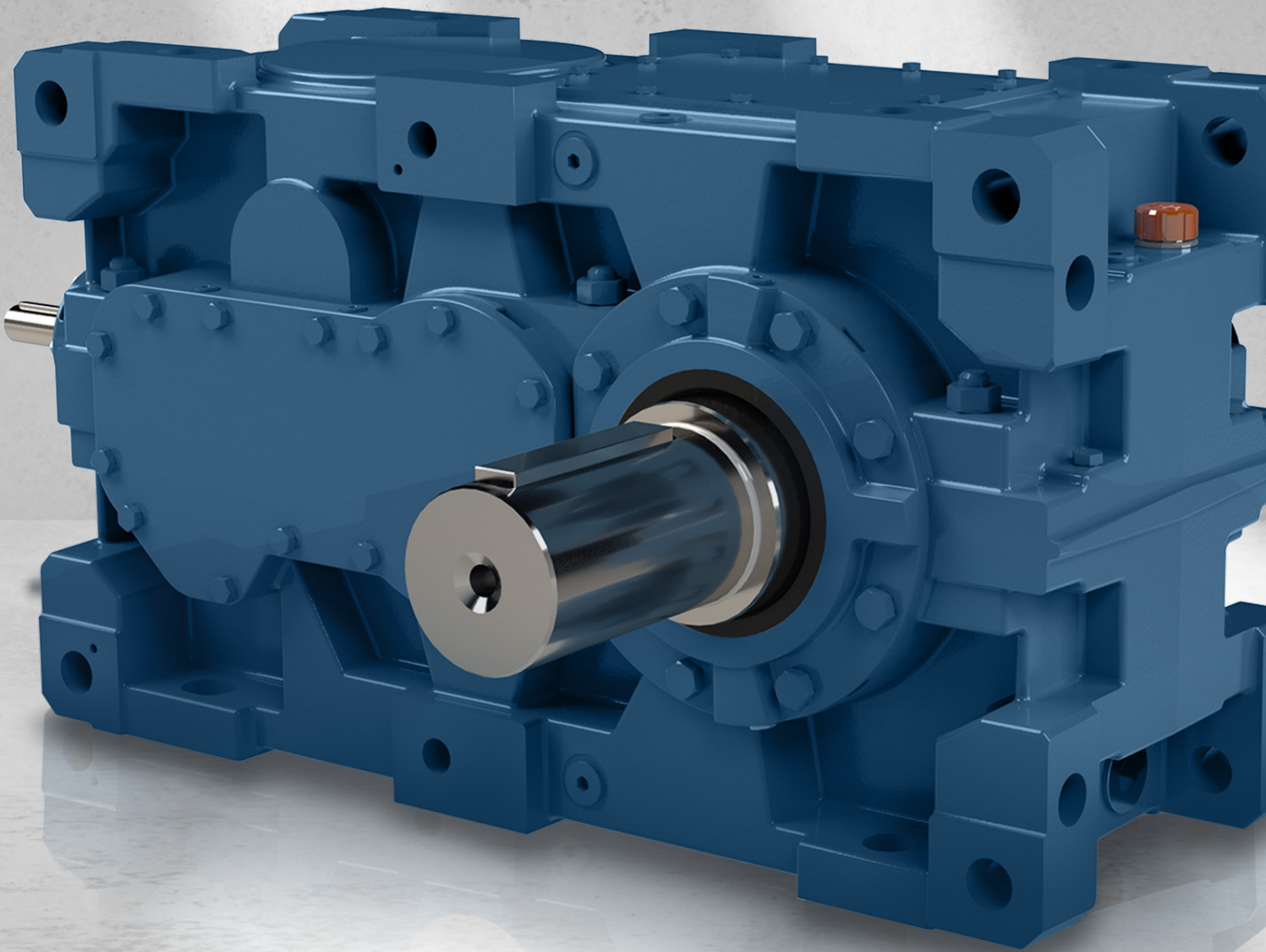
Transmission &
Distribution

Coatings



Driving efficiency and sustainability







S U M M A R Y

General characteristics	04
Benefits	05
Applications	05
Technical data	06
Nameplate	06
Gearbox selection	07
Mechanical power	07
Service factor	08
Thermal power	09
Permissible peak torque on the gearbox	10
Calculation of the system additional power	10
Permissible radial / Axial forces	11
Minimum permissible diameter for the transmission element mounted on the shaft	12
Product description	13
Mounting positions	16
Form of supply	18
Lubrication and lubricant quantity	19
Selection tables	25
Dimensions and weight	154
Accessories - complementary dimensions	198
Recommendations for the machine shaft	222
Application instructions - shrink disc	224
Limits for mounting the input flange	225
Taconite seal	226
Output Flange	227
Fan	229
Expansion Chamber	230



IMPORTANT

The data contained in this catalog may change without prior notice due to the continuous improvement of the products. Performance characteristics are only binding if explicitly agreed in the contract.

General characteristics

WG50 gearboxes have cylindrical gears with helical teeth and parallel shafts or orthogonal shafts, available in ratios from 6.30 to 450 and capacities from 22,000 to 178,000 Nm.

Housing

- Modular design allowing mounting in different positions (see page 16).
- Made of nodular cast iron.
- Split at the height of the shaft centers, which allows easy access to all of its components, simplifying maintenance.
- Top inspection cover, which allows checking the gearbox without removing the equipment installed.

Output shafts

- The shafts are made of alloy steel and heat treated.
- All seats and shaft ends are ground to the tolerances indicated in this catalog.

Gears

- The gears are made of high quality alloy steel, which are subjected to case-hardening and tempering treatments.
- The tooth flanks are ground.

Bearings

- The bearings are self-aligning roller bearings, cylindrical or tapered rollers bearings selected to withstand the specified loads.

Lubrication

- Bearings, like gears, generally use immersion lubrication or, when necessary, pressure lubrication using an oil pump.
- The bottom of the housing serves as an oil reservoir.

Cooling

- In most cases, the heat radiated by the outer surface is enough to keep the system in an proper thermal regime.
- When additional cooling is required, a coil, fan or external heat exchanger can accomplish that.

Benefits



Greater durability



Better heat dissipation



Greater torque distribution option



Optimized gearing



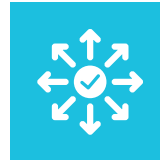
Engageable flange



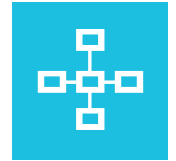
Modular and split housing



Easy assembly and maintenance



Versatile in all projects



Efficient in all applications

Applications



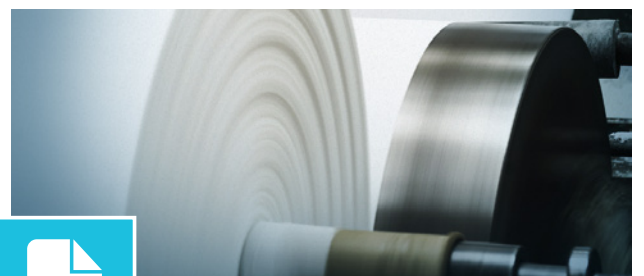
Sugar & Ethanol



Fertilizers



Mining



Pulp & Paper



Steel



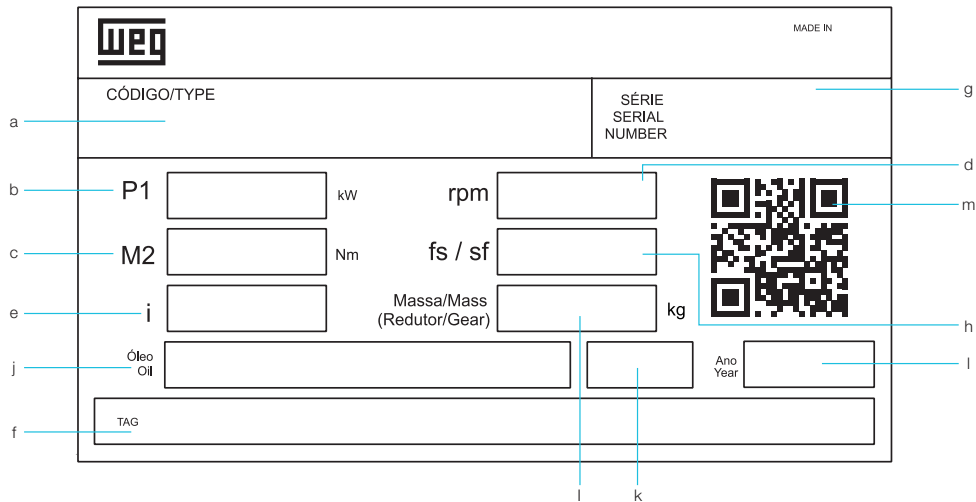
Others

Technical data

Size	W01	W02	W03	W04	W05	W06	W07	W08	W09	W10	W11	W12	W13	W14	W15	W16	
Torque [Nm]	7500	9500	13000	16500	22000	28000	36000	46000	58500	67000	80000	92000	115000	132000	158000	178000	
Shaft arrangement	Parallel and right angle																
Parallel and right angle shafts	Ratio	6.3-80	8-100	8-450	6.3-355	6.3-355	8-450	6.3-355	8-450	6.3-355	7.1-400	6.3-355	7.1-400	6.3-355	7.1-400	6.3-355	7.1-400
	Number of stages	2/3	2/3	2/3/4	2/3/4	2/3/4	2/3/4	2/3/4	2/3/4	2/3/4	2/3/4	2/3/4	2/3/4	2/3/4	2/3/4	2/3/4	2/3/4
T right angle shafts	Ratio	16-80	20-100	16-355	20-450	16-355	20-450	16-355	20-450	16-355	18-400	16-355	18-400	16-355	18-400	16-355	18-400
	Number of stages	3	3	3/4	3/4	3/4	3/4	3/4	3/4	3/4	3/4	3/4	3/4	3/4	3/4	3/4	3/4
Frame	Material	Nodular cast iron															
	Type	Monoblock					Bi-parting										
Solid shaft	Execution	With keyway and key (ASTM SAE AISI 1045) according to DIN 6885,1 and threaded hole according to DIN 332															
	Tolerance	< Ø55 k6 / ≥ Ø55 m6															
	Material	SAE AISI 4140															
Hollow shaft with keyway	Execution	With keyway according to DIN 6885,1															
	Tolerance	H8															
	Material	SAE AISI 4140															
Hollow shaft with shrink disc	Execution	Hollow shaft with shrink disc															
	Tolerance	H7															
	Material	SAE AISI 4140															
Gears	Design	Case-hardened with ground tooth flanks															
	Material	DIN 18CrNiMo7-6 / 20 MnCr5															
Lip seals	Execution	Form A / AS according to DIN 3760															
	Material	FKM (VITON)															

Nameplate

The standard nameplate is made of aluminum in sizes 20x42 mm, 36x63 mm or 54x90 mm, depending on the gearbox size. AISI 304 stainless steel nameplate is available as an optional item.



a	Product description
b	Motor rated power
c	Output torque
d	Output speed
e	Gear Ratio
f	TAG
g	Serial number
h	Service factor
i	Mass
j	Quantity and type of oil
k	Working position
l	Manufacturing year
m	QR code

Gearbox selection

The gearbox transmits power from the primary machine, usually an electric motor, at a certain speed, to the equipment, reducing the speed; the power available on the output shaft of the gearbox is equal to the power available on the input shaft, discounting the losses that are converted into heat.

The service factor is the quantification of the influence of external conditions on the operation of the gearbox. External conditions are: number of starts per hour, operating time, presence of shocks and vibrations, among others. In practice, this means how much more torque the gearbox must withstand in addition to the torque that is actually being transmitted, so that it is able to withstand the daily operating conditions of the driven machine, the load variations and any overloads that may occur.

The data in this catalog refer to the sizing of the gearboxes, considering a service factor of 1.00, that is, uniform load, operation up to 8 hours a day, number of starts up to 5 per hour, ambient temperature of 20 °C, altitude up to 750 m above sea level, maximum oil temperature of 90 °C and non-reversing loads.

For other service factors, see the Service Factor table on page 8.

The permissible torque M2 in the selection tables on pages 26 to 153 is for input rotation speeds of 1000 to 1800 rpm. For rotation speeds between 500 rpm and 1000 rpm, the values for 1000 rpm should be used for M2.

For input rotations below 500 rpm and above 1800 rpm, please consult WEG.

Wear bushing available up to size W12, installed in the seal region, please consult WEG.

Mechanical power

M2 = permissible torque on the gearbox output shaft (catalog tables), see pages 26 to 153.

T1 = drive torque on the input shaft.

T2 = drive torque on the output shaft.

Pa = operating power (input shaft).

FS = service factor taken from the catalog table on page 8.

n1 = input speed.

n2 = output speed.

i = gear ratio.

$$T1 = 9,550 \times Pa / n1$$

$$T2 = T1 \times i$$

- Unidirectional load and constant torque

$$M2 \geq T2 \times FS$$

- When there is reversing load direction with constant torque

$$M2 \geq T2 \times FS \times 1.43$$

On request:

- Variable torque
- Service factor above 5.00



Service factor

Service factor - Fs			
Application	Operating time per day		
	<3h	3-10h	>10h
Stirrers and mixers			
Pure liquids	1.00	1.00	1.25
Liquids and solids	1.00	1.25	1.50
Variable-density liquids	1.00	1.25	1.50
Pumps			
Centrifugal	1.00	1.25	1.50
Reciprocating (single-cylinder)	1.50	1.50	1.75
Reciprocating (multi-cylinder)	1.25	1.50	1.50
Rotary gear	1.25	1.25	1.50
Rotary vane	1.25	1.25	1.50
Helical	1.25	1.25	1.50
Compressors			
Centrifugal	1.25	1.25	1.50
Screw	1.50	1.50	1.75
Reciprocating - multi-cylinder	1.50	1.50	1.75
Reciprocating - single-cylinder	1.75	1.75	2.00
Dredgers			
Pumps	2.00	2.00	2.00
Rotary heads	2.00	2.00	2.00
Winches	1.25	1.25	1.50
Sieves	1.75	1.75	2.00
Conveyors	1.25	1.50	1.50
Elevators			
Load elevators	1.25	1.25	1.50
Passenger elevators	1)	1)	1)
Escalators	1.25	1.25	1.50
Energy			
Frequency converters	2.00	2.00	2.00
Hydraulic generators (low speed)	1.75	1.75	1.75
Hydraulic turbines	1)	1)	1)
Extruders			
Plastic	1.50	1.50	1.50
Rubber	1.75	1.75	1.75
Cereal	2.00	2.00	2.00
Food Industry			
Centrifugal	1.75	1.75	2.00
Cutters	1.25	1.25	1.50
Cereal cookers	1.25	1.25	1.50
Desolventizer toaster (DT)	2.00	2.00	2.00
Mixers	1.25	1.25	1.50
Mills and crushers	1.50	1.50	1.75
Presses	2.00	2.00	2.00
Rotating dryers	1.25	1.25	1.50

Service factor - Fs			
Application	Operating time per day		
	<3h	3-10h	>10h
Sugar and ethanol industry			
Low speed stirrers	1.50	1.50	1.50
High speed stirrers	2.00	2.00	2.00
Crystallizers	1.75	1.75	1.75
Shredders	2.50	2.50	2.50
Exhaust fans	2.00	2.00	2.00
Chippers	2.50	2.50	2.50
Belt conveyors	1.50	1.50	1.50
Chain conveyors	1.75	1.75	1.75
Rubber industry			
Calenders	1.50	1.50	1.75
Extruders	1.75	1.75	1.75
Mixers	2.00	2.00	2.00
Heating mills	1.50	1.50	1.75
Roller mills 2 in line	1.75	1.75	2.00
Roller mills 3 in line	1.50	1.50	1.75
Steel mills	1.50	1.75	2.00
Trimmers	1.50	1.75	2.00
Crushers	2.00	2.00	2.00
Ceramic industry			
Clay kneaders	1.00	1.25	1.50
Mixers	1.00	1.25	1.50
Clay mills	1)	1)	1)
Brick and floor tile presses	1.50	1.75	2.00
Cement industry			
Jaw crusher	2.00	2.00	2.00
Spinning mills	2.00	2.00	2.00
Ball and roller mills	2.00	2.00	2.00
Rotating ovens	2.00	2.00	2.00
Separators	1.50	1.50	1.50
Roller crusher	2.00	2.00	2.00
Timber industry			
Planing machine feeders	1.25	1.25	1.50
Woodworking machines (general)	1.25	1.25	1.50
Saws	1.75	1.75	2.00
Paper and pulp industry			
Beaters	1.75	1.75	2.00
Calenders	1.75	1.75	2.00
Peeling machines	1.50	1.75	2.00
Pulpers	1.50	1.75	2.00
Filters	1.75	1.75	2.00
Paper machine	2.00	2.00	2.00
Chippers	1.75	1.75	2.00
Presses	1.75	1.75	1.75
Dryers	1.75	1.75	2.00

Service factor - Fs			
Application	Operating time per day		
	<3h	3-10h	>10h
Metallurgical Industry			
Rotating sheet cutters	1.50	1.75	2.00
Knife sheet cutters	1.50	1.75	2.00
Bending machines	1.50	1.75	2.00
Wire drawing machines	1.25	1.50	1.75
Tensioning rollers	1.50	1.75	2.00
Cable winding machines	1.25	1.50	1.50
Steel mills	1.50	1.50	1.50
Saws	1.00	1.25	1.50
Coilers and decoilers	1.50	1.50	1.75
Conveyor table	2.00	2.00	2.00
Shears	2.00	2.00	2.00
Mining			
Slewing drives	1.50	1.50	1.75
Excavators	1)	1)	1)
Crushers	1.75	1.75	2.00
Vibrators	1.75	1.75	2.00
Rotary drums and mills			
Ball and roller mills	2.00	2.00	2.00
Hammer mills	2.00	2.00	2.00
Coal mills	1.50	1.50	1.75
Dryers	1.50	1.50	1.75
Coolers	1.50	1.50	1.75
Crane systems			
Cranes	1)	1)	1)
Load elevators	1)	1)	1)
Conveyors			
Bucket conveyors	1.25	1.25	1.50
Belt conveyors ≤100 kW	1.25	1.25	1.50
Belt conveyors >100 kW	1.25	1.50	1.75
Screw conveyors	1.25	1.25	1.50
Vibrators	1.75	1.75	2.00
Water treatment and sanitation			
Aerators	2.00	2.00	2.00
Chemical feeders	1.25	1.25	1.25
Screw pumps	1.25	1.25	1.50
Collectors	1.25	1.25	1.50
Thickeners	1.50	1.50	1.50
Vacuum filters	1.50	1.50	1.50
Sieves	1.50	1.50	1.50
Fans			
Centrifugal	1.00	1.00	1.25
Industrial and mines	1.75	1.75	1.75
Blowers (forced)	1.50	1.50	1.50
Cooling towers	1)	1)	1)
Heat exchangers	1.50	1.50	1.50
Overhead cranes			
-	1)	1)	1)

Notes: 1) Consult WEG.

IMPORTANT: for internal combustion engines, proceed as described below:

- Internal combustion engines with 4 or more cylinders: Fs (selection table) + 0.25.
- Internal combustion engines with 1 to 3 cylinders: Fs (selection table) + 0.50.

Thermal power

PT thermal power is the power that the gearbox can transmit continuously without exceeding the oil temperature of 90 °C.

$$PT = PTG \times fa \times fc \times fh \times ft \times fb$$

$$PT = PTC \times fa \times fc \times fh \times ft \times fb$$

$$PT = PTV \times fa \times fh \times ft \times fb \times fv \times fva$$

$$PT \geq Pa$$

Where:

Pa = Drive power.

PT = Thermal power.

PTG = Thermal capacity of the gearbox without systems (dissipated through the housing).

PTC = Thermal capacity of the gearbox with coil.

PTV = Thermal capacity of the gearbox with fan.

PTG, PTC, PTV – selection tables from the catalog, see pages 26 to 153.

fa = Ambient temperature factor.

fc = Ambient factor – air velocity.

fh = Altitude factor.

ft = Oil temperature factor.

fb = Operating time factor.

fv = Fan factor (radial / axial).

fva = Axial fan factor.

Ambient temperature factor - fa	
Ambient temperature °C	fa
10	1.14
15	1.07
20	1.00
25	0.93
30	0.86
35	0.79
40	0.71
45	0.64
50	0.57
55	0.50
60	0.43

Ambient factor - fc	
Air speed m/s	fc
≤0.5	0.75
>0.5 ≤1.4	1.00
>1.4 <3.7	1.40
≥3.7	1.90

Altitude factor - fh	
Altitude m	fh
0 (sea level)	1.00
750	0.95
1,500	0.90
2,250	0.85
3,000	0.81
3,750	0.77
4,500	0.72
5,250	0.68

Oil temperature factor - ft	
Oil temperature °C	ft
70	0.71
71	0.73
80	0.86
85	0.93
90	1.00
95	1.07
100	1.14

Operating time factor - fb	
Operating time per hour %	fb
100 (continuous)	1.00
80	1.05
70	1.15
40	1.35
20	1.80

Fator ventilador axial - fva	
Rotação de entrada [rpm]	fva
1000	1,15
1200	1,20
1500	1,28
1800	1,35

Notes:

For use with a fan installed with lantern flange, use $fv = 0.80$.

For a fan installed on the gearbox shaft, use $fv = 1.00$.

When using the gearbox with an axial fan (single direction of rotation), consider the thermal power with fan (PTV) on pages 26 to 153, and multiply by the fva factor (table).

For fan dimensions, refer to page 229. When the fan is installed on the motor flange, the dimensions are not altered.

For axial fan on the motor flange, refer to WEG.

For gearbox with fan and variable speed, refer to WEG.

Permissible peak torque on the gearbox

- For loads without reversal: $Mk2adm = 2.00 \times M2 / Ff$
- For loads with reversal: $Mk2adm = 1.43 \times M2 / Ff$
- $M2$ = permissible torque on the gearbox output shaft (tables on pages 26 to 153)

Maximum peak torque $Mk2max$ is the driving torque $T2$ multiplied by the starting factor $Fstart$.

$$Mk2max = T2 \times Fstart$$

$Mk2max$ must be less than the permissible $Mk2adm$.

$$Mk2adm > Mk2max$$

Peak factor Ff					
Load peak frequency per hour, sh					
Minimum 1 Maximum 5	Minimum 6 Maximum 20	Minimum 21 Maximum 40	Minimum 41 Maximum 80	Minimum 81 Maximum 160	>160
1.00	1.20	1.30	1.50	1.75	2.00

The gear box can only be overloaded for short periods of time. Peak loads cannot last more than 10 seconds.

Fstart starting factor depending on the start type	
Start type	Fstart
Direct online	3.00
Soft-starter	2.0
Variable speed drive ¹⁾	1.5 to 2.0
Star-delta starter	1.30
Fluid coupling without delay chamber	2.00
Fluid coupling with delay chamber	1.60

Note: 1) As a function of the parameterization.

Calculation of the system additional power (for $PT < Pa$)

SKID selection

$$Pad = fL \times [Pa - (PT / 2)] \times (1 - \eta)$$

Pad = additional power required for SKID selection

fL = safety factor: 1.10 to 1.20

Reference values for efficiencies:

- Two parallel stages $\eta = 97.0\%$
- Three parallel stages $\eta = 95.6\%$
- Four parallel stages $\eta = 94.1\%$
- Two right angle stages $\eta = 96.6\%$
- Three right angle stages $\eta = 95.0\%$
- Four right angle stages $\eta = 93.4\%$

Water

Qw = water flow rate [dm³/min] indicated in the SKIDs table

Maximum temperature 30 °C

Maximum water pressure 6 bar

Eight system sizes (SKID):

		1	2	3	4	5	6	7	8
Thermal exchange, kW		4.0	5.8	7.5	10.0	14.0	24.7	35.4	54.8
Oil flow rate, l/min	Qo	14.0	18.0	18.0	28.0	28.0	56.0	70.0	88.0
Pump driving power, cv ¹⁾	P	1.50	1.50	1.50	2.00	2.00	4.00	5.00	6.00
Water flow rate, l/min	Qw	45.0	45.0	70.0	70.0	70.0	160.0	230.0	230.0
Water connection threads		3/4" BSP	3/4" BSP	1" BSP	1" BSP	1" BSP	1,1/2" BSP	2" BSP	2" BSP

Note: 1) Pump driven by IEC 4-poles electric motor, 60 Hz, 4 voltages; for other motors, contact WEG.

Standard:

- Shell and tube, water-oil heat exchanger. For air-oil heat exchanger (radiator), contact WEG
- Electric motor driven lubrication pump with flange and coupling
- Simple filter with visual indicator
- Pressure switch trip at 0.8 bar
- Visual pressure gauge 0 to 20 bar

Permissible radial / axial forces

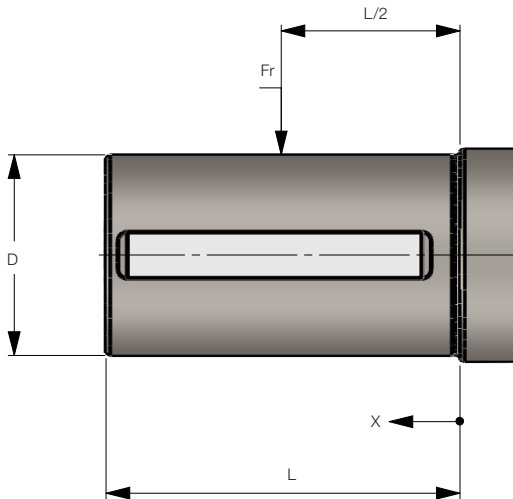
When the torque transmission is via elastic coupling, there will be no radial and/or axial forces on the gearbox shaft. However, if the transmission is via elements mounted on the gearbox shaft (external gears, chain pinions or pulleys), there will be radial and/or axial forces.

The table below shows the permissible radial forces on the gearbox output shaft (F_r).

Axial stresses up to 25% of the permissible radial forces can be simultaneously absorbed with the radial forces.

The values of the radial forces indicated in the table refer to the load applied to the center of the shaft length "L". When the application distance (x) is different from L/2, a recalculation must be made according to the formulas and table below:

Determination of the accepted radial stress in point x: $F(x)$



a) $F_1(x)$ based on the rolling bearing life time:

$$F_1(x) = \frac{k}{m + x} \cdot F_r \text{ [N]}$$

b) $F_2(x)$ based on the maximum bending of the shaft:

$$F_2(x) = \frac{1000 \cdot n}{p + x} \text{ [N]}$$

Where:

x = distance from the shaft stop to the center of force [mm].

F_r = radial force acting on the center of the shaft end length L/2 [N].

To determine $F(x)$, $F_1(x)$ and $F_2(x)$ are always calculated, and the smallest value is chosen to represent $F(x)$.

(Fr) Output shaft radial force [kN]								
Speed	20		70		100		125	
Position	5	6	5	6	5	6	5	6
W01	53	45	34	26	30	22	28	19
W02	53	45	34	26	30	22	28	19
W03	74	62	47	35	41	29	38	25
W04	75	62	48	35	42	29	38	25
W05	73	73	55	40	47	33	43	28
W06	88	87	64	49	55	41	50	36
W07	130	130	99	78	86	65	79	58
W08	142	142	120	103	105	88	96	79
W09	165	165	140	111	122	93	112	83
W10	162	162	134	102	117	84	106	73
W11	167	167	167	137	153	115	140	102
W12	188	188	168	131	146	109	133	96
W13	247	247	205	160	178	133	163	117
W14	270	270	250	205	219	174	201	156
W15	265	265	245	190	213	157	194	139
W16	264	264	264	250	267	211	245	189

Factors for recalculation					
k	m	n	p	d	L
177	92	5408	84	80	170
177	92	8084	87	90	170
215	110	9400	83	100	210
215	110	12096	87	110	210
256	151	14527	94	120	210
260	135	19272	94	130	250
310	185	29380	101	140	250
302	152	36210	105	160	300
346	196	44385	119	170	300
346	196	43578	119	170	300
384	234	45090	120	180	300
384	209	55460	120	190	350
432	257	76817	136	210	350
420	215	93690	142	230	410
480	275	96725	160	230	410
470	265	96360	160	240	410

Conditions valid for the radial loads in the table.

- Service factor greater than or equal to 1.25
- Unfavorable load application angle
- Single end solid output shaft
- Gear position 5 or 6, see pages 166 and 167

Minimum permissible diameter for the transmission element mounted on the shaft

Together with the obtained radial load, the smallest permissible diameter for the transmission element (external gears, chain pinions or pulleys) can be calculated using the following formula.

Values for factor Kr	
Pre-tensioned flat belt	2.50
Toothed belt	1.50
Pre-tensioned V-belt	1.75
Roller chain or silent chain	1.40
Gears	1.15

$$D_{min} = \frac{2000 \cdot T_2 \cdot K_r}{F_r}$$

Where:

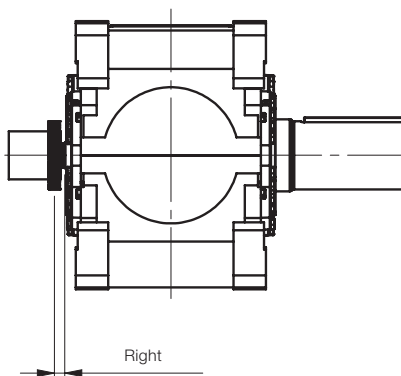
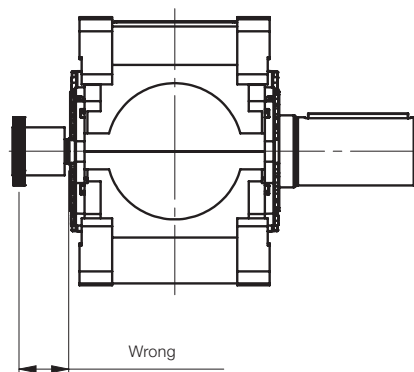
D_{min} = Minimum permissible diameter (mm).

T_2 = Torque to be transmitted (Nm).

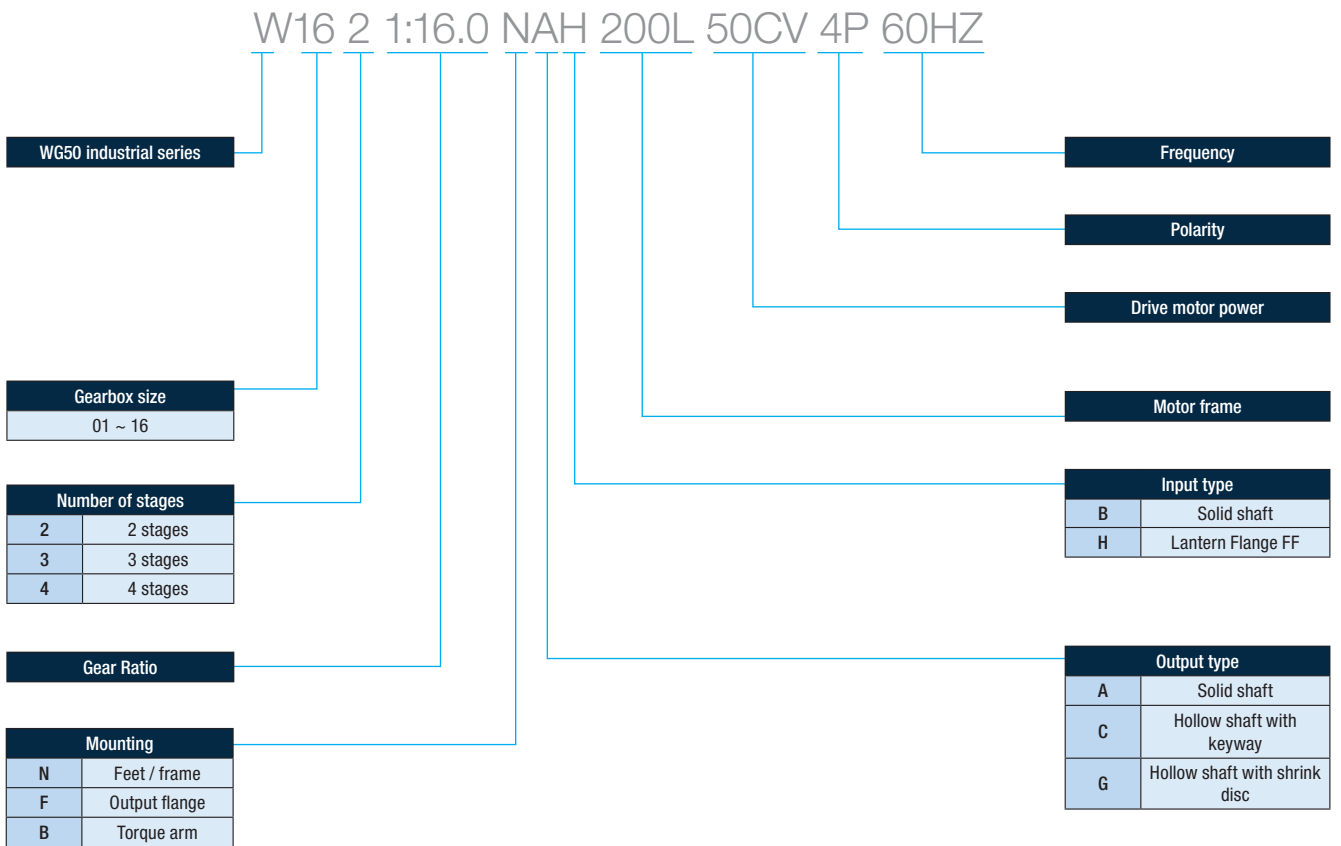
F_r = Permissible radial load on the gearbox shaft (N).

K_r = Additional factor.

- The hole of the element mounted on the input or output shaft of the gearbox must be machined to tolerance H7.
- Carefully align the elements mounted on the shafts, even elastic couplings.
- It is unacceptable the mounting by means of strikes, since such method damages the rolling bearings and gear teeth.



Product description



Product description

1. W

WG50 industrial line

2. Size

01 to 16.

3. Stages

2, 3 or 4.

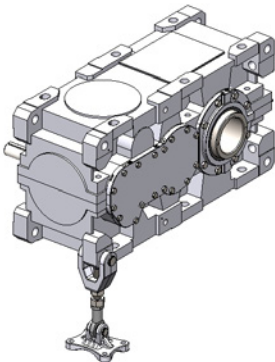
4. Gear ratio

See technical data table on pages 26 to 153.

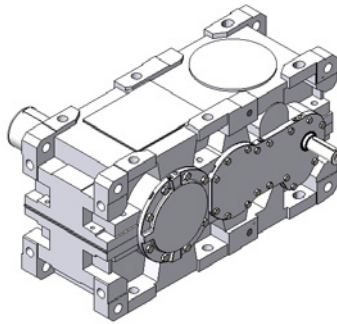
5. Gearbox mounting

- B - Torque arm (defined as a function of the input side of the customer's shaft).
- N - Feet (in case of feet/frame, the mounting surface must be informed, page 17).
- F - Flange (choose flange side 1 or 2).

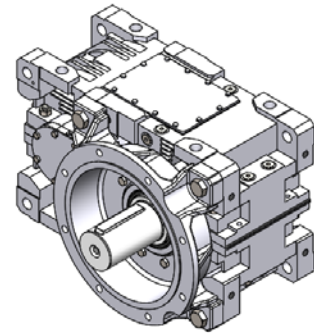
For reducers configured with "Output flange" mounting and "Motor flange" input type, these cannot be configured on the same side for parallel shaft reducers. For dimensions of the output flange, refer to pages 227 and 228.



Torque arm



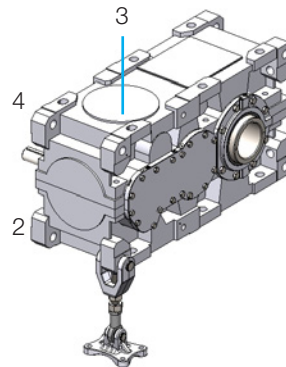
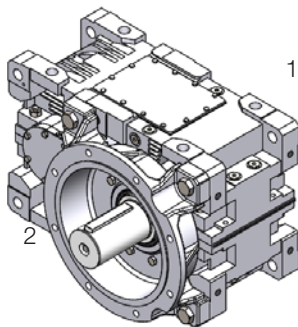
Feet / frame



Output flange

- For torque arm, the mounting position¹⁾ 1, 2, 3 or 4 must be informed.
- For the output flange, the mounting side must be informed: side 1 or side 2.

Note: 1) The mounting side of the torsion arm must be on the same side as the equipment shaft input.
 2) Reference for the torsion arm, the reducer in mounting position 1.

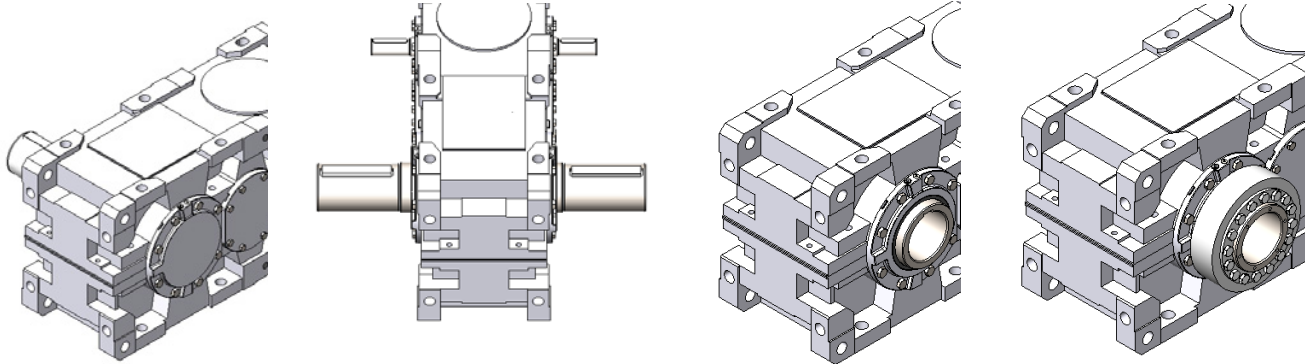


Product description

6. Output type

- A - Single end solid shaft
- C - Hollow shaft with keyway
- G - Hollow shaft with shrink disc

Note: For hollow shafts, the equipment shaft input side must be chosen.



Single end solid shaft

Double end solid shaft

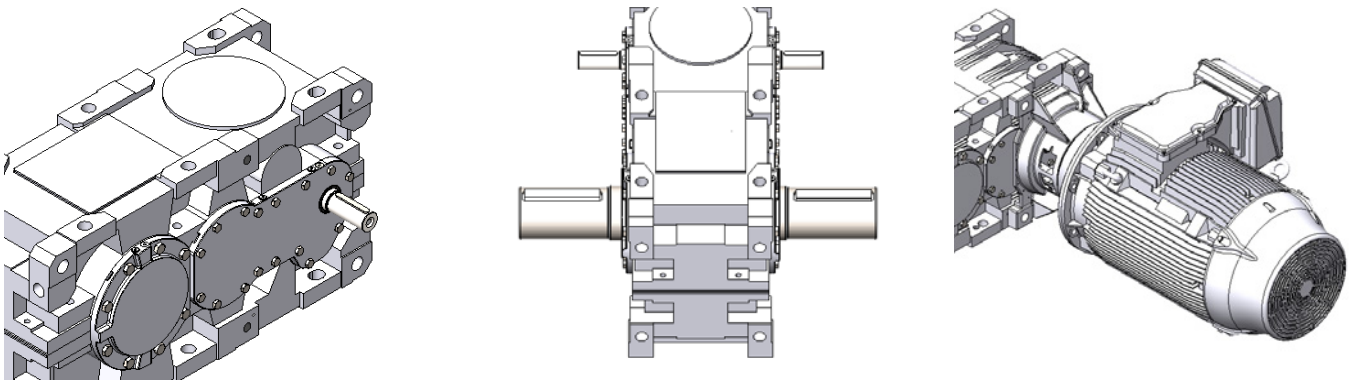
Parallel hollow shaft with keyway

Hollow shaft with shrink disc

7. Input type

- B - Single or double end solid shaft (choose shaft side Lado 1 (L1) or Lado 2 (L2), page 17)
- H - IEC motor flange (ROTAX or NORMEX coupling)

*Notes: For parallel shafts and motor flange, the mounting side of the flange must be specified (1 or 2).
For orthogonal shafts, only single end solid shaft or IEC motor flange is available.*



Single end solid shaft

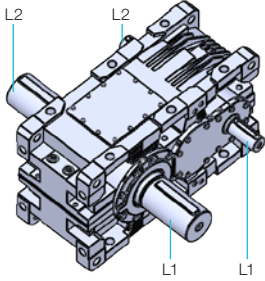
Double end solid shaft

Flange for IEC motor

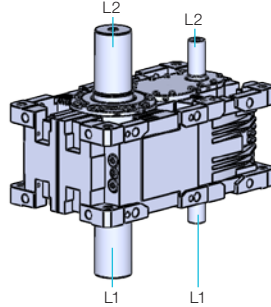
Mounting positions

Parallel shafts

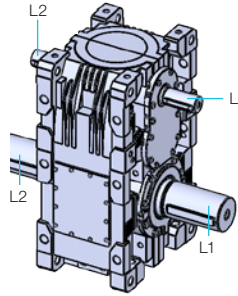
P1



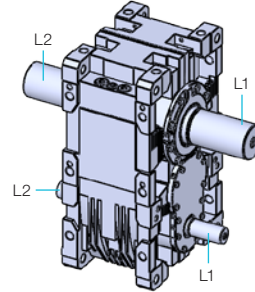
P5



P4

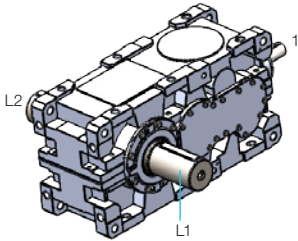


P2

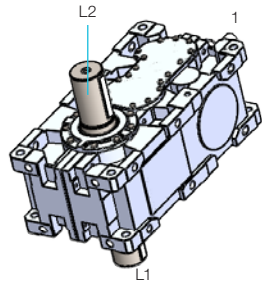


R right angle shafts

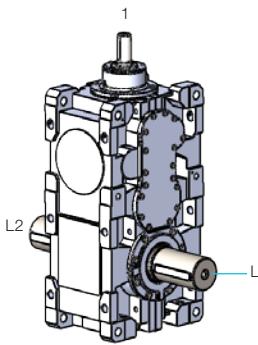
P1



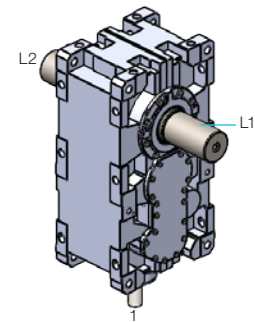
P5



P4

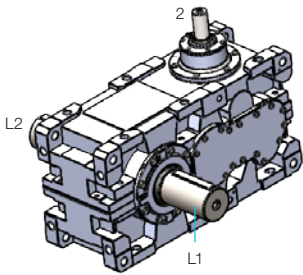


P2

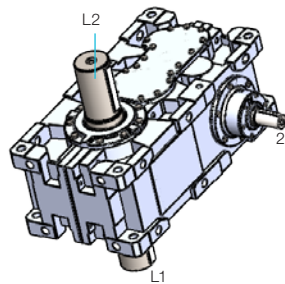


T right angle shafts

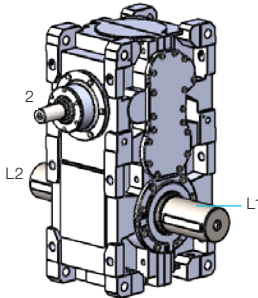
P1



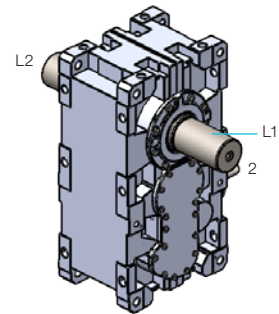
P5



P4



P2



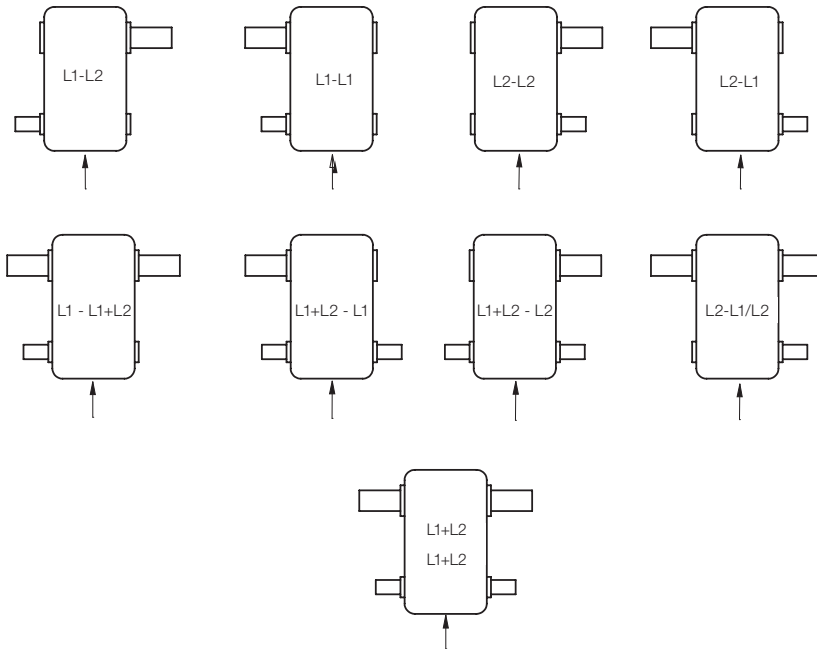
- (a) When the motor is mounted vertically (shaft down), it is recommended to use a drip cover for the motor.
- (b) For vertical mounting position P2, P4 and P5, the use of a lubrication system should be considered.
- Mounting position P1 is suitable for mounting surface S1 and S3.
- Mounting position P2 is suitable for mounting surface S2.
- Mounting position P4 is suitable for mounting surface S4.
- Mounting position P5 is suitable for mounting surface S5 and S6.
- For other combinations of mounting position/mounting surface, contact WEG.

The housings of the WG50 Line gearboxes are symmetrical, allowing flexible mounting (flip), meaning from S1 to S3 and from S3 to S1 (mounting surfaces on page 17); for this, consult WEG for the suitability of options and accessories according to the new position.

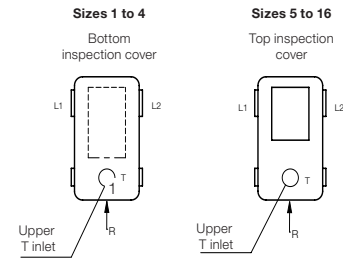
Mounting positions

Position of input and output shafts

Parallel shafts

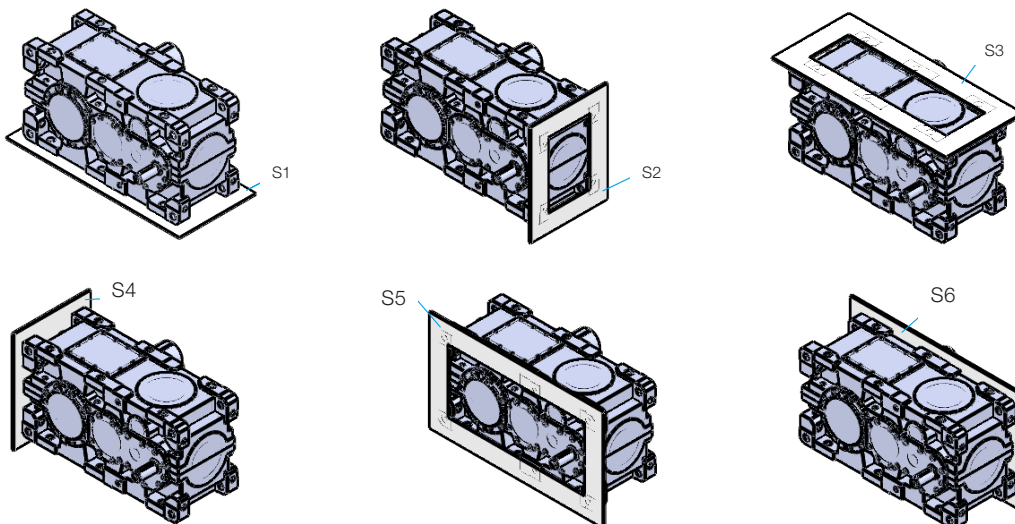


Right angle shafts

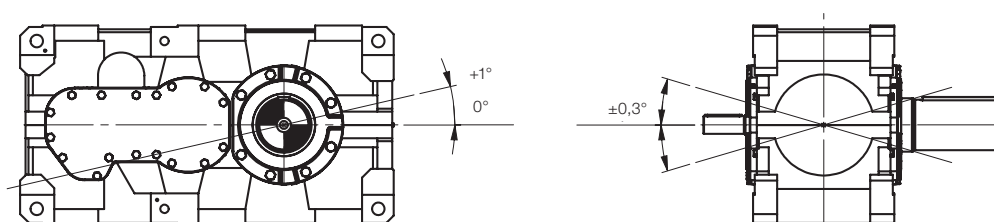


Mounting surface

The mounting surface is applicable only when the chosen mounting type is base/flange.



Industrial gearboxes must be installed on a level base (0.01 mm/100 mm). When the gearbox is specified to work on an inclined surface, do not install it with an inclination angle other than the specification. For standard gearboxes, the installation angle must be within the limits shown in the figure below.



For additional information, see the product installation and maintenance manual.

Form of supply

Industrial line gearboxes are supplied, as standard, without lubricating oil. The housing is coated inside with an oil resistant paint. The shaft ends are protected against corrosion.

Below is the table with the painting schemes available for the customer. For other types of painting scheme, contact WEG.

Painting scheme	Recommended use	ISO 12944
207A / 203A	For normal, slightly harsh, sheltered or unsheltered environments, for industrial use, with low relative humidity, normal temperature variations and presence of SO ₂ . Suitable for conveyors and cargo handling in general, elevators, furniture industry, sugar and alcohol industry, pumps and machinery industry. (Not recommended for direct exposure to alkali, solvent and acid vapors.)	C2
205E	Equipment exposed to abrasive and oxidizing agents (chemical agents). Processing machines (agribusiness), pulp and paper, mining (conveyors), chemical (cooling tower) and petrochemical industries.	C4
202P	Equipment exposed to abrasive and oxidizing agents (chemical agents). Processing machines (agribusiness), broadcast towers, transformers, pulp and paper, mining (conveyors), sugar and alcohol, chemical (cooling tower), petrochemical and food industries.	C4
205P	Equipment exposed to abrasive and oxidizing agents (salinity). Recommended for processing machines (agribusiness), broadcast towers, transformers, pulp and paper, mining (conveyors), sugar and alcohol, chemical (cooling tower) and petrochemical industries.	C4
211E	For industrial, sheltered environments with high contamination of corrosive agents such as SO ₂ (sulfur dioxide) and Cl ⁻ (chloride), which may contain high moisture. Operating temperature from -60 °C to 120 °C. Suitable for application in refineries and petrochemical industries.	C5
211P	For industrial, sheltered or unsheltered environments, with high contamination of corrosive agents such as SO ₂ (sulfur dioxide) and Cl ⁻ (chloride), which may contain high humidity. Operating temperature from -60 °C to 120 °C. For application in refineries and petrochemical industries.	C5
212P	For industrial and marine, dry or wet, sheltered or unsheltered environments, onshore or offshore, with high salinity, containing or not gases derived from sulfur. Operating temperature from -60 °C to 120 °C. Recommended for application in pulp and paper, mining, chemical and petrochemical industries.	C5 and CX
212E	For industrial and marine, sheltered environments, with high contamination from corrosive agents such as SO ₂ (sulfur dioxide) and Cl ⁻ (chloride) and salinity, which may contain alkali, solvent and acid vapors, solid contaminants and high humidity. Operating temperature from -60 °C to 120 °C. Suitable for application in oil rigs.	C5
214P ¹⁾	For dry or humid environment, with moderate salinity, containing or not gases derived from sulfur. Operating temperature from -60 °C to 120 °C. Pulp and paper, mining, chemical and petrochemical industries.	C4

Note: 1) On request.

The gearboxes are supplied in Blue RAL 5009, standard for all product lines, and in the 207A painting scheme. For supplies in other colors, contact WEG.

Optional items

- Contra recuo - (see pages 198 to 202)
- Flange para motor IEC - (see pages 203 to 218 and 225)
- Serpentina - (see pages 26 to 153 and 220)
- Labyrinth Seal (TACONITE) - (see page 226)
- Torque Arm - (see page 219)
- Output Flange - (see pages 227 and 228)
- Fan - (page 229)
- Expansion Chamber - (see page 230)

Lubrication and lubricant quantity

Proper lubrication is essential for the performance and service life of the gearbox. WG50 gearboxes are lubricated by an oil bath and equipped with a dipstick level.

The correct oil level is in the center of the mark on the dipstick, with the gearbox stopped and in the specified working position.

The recommended lubricant is extreme pressure mineral oil according to DIN 51517-3 CLP.

For gearboxes operating at a minimum input shaft speed of 500 rpm and a maximum of 1800 rpm and a minimum ambient temperature of 10 °C and a maximum of 40 °C, we recommend oil with viscosity ISO VG 320. For temperatures below 10 °C and above 40 °C, contact WEG.

The table below contains some types of recommended oils and their respective manufacturers. For speeds and temperatures not included in this catalog, contact WEG. The approximate amount of lubricant is given in the tables on pages 20 to 25.

Manufacturer	Viscosity ISO VG 320		
	Mineral	PAO Synthetic	PG Synthetic
KLUBER	Kluberoil GEM1-320N	Klubersynth EG4-320	Klubersynth GH6-320
SHELL	OMALA S2 G 320	Omala S4 GX 320	Omala S4 WE 320
FUCHS	GEARMASTER CLP 320	GEARMASTER SYN CLP-HC 320	GEARMASTER PGP CLP-PG 320
MOBIL	MOBILGEAR 600 XP 320	MOBILGEAR SHC 632	-
IPIRANGA	IPIRANGA SP 320	IPIRANGA SP ULTRATECH SYNTHETIC 320	-
CASTROL	Optimize BM 320	Optigear Synthetic X320	-
PETRONAS	PETRONAS GEAR FL 320	PETRONAS GEAR SYN PAO 320	PETRONAS GEAR SYN PAG 320
WHITMORE	-	DECATHLON F PAO 320	DECATHLON PAGE 320
BECEM	Berugear GS 320 BM CLP	Berusynth GP 320 CLP HC	Berusynth EP 320 CLP PG
PETROBRAS	Lubrax Industrial EGF 320 OS	Lubrax Syntesys Gear PAO 320	-

Lubrication and lubricant quantity

Oil volume

- The values in the following table are reference values. Exact values may vary according to the number of gears and their diameters.
- The exact volume of oil must be obtained after checking the level with the dipstick or sight glass (when available).
- For lubrication with pressure systems, the level must be checked after operation due to oil retention by the system.

Working position P1

Oil volume table - mounting position P1											
Oil volume [L]											
WG50	Lubrication types			ST	Lubrication types			ST	Lubrication types		
ST	LB ₁	LP ₂	-	ST	LB ₁	LP ₂	-	ST	LB ₁	LP ₂	-
2				3				4			
W012P	11	11	-	W013P	13	13	-	W014P	-	-	-
W022P	11	11	-	W023P	13	13	-	W024P	-	-	-
W032P	17	17	-	W033P	20	20	-	W034P	20	20	-
W042P	18	18	-	W043P	22	22	-	W044P	21	21	-
W052P	23	23	-	W053P	33	33	-	W054P	32	32	-
W062P	24	24	-	W063P	35	35	-	W064P	34	34	-
W072P	43	43	-	W073P	63	63	-	W074P	61	61	-
W082P	41	41	-	W083P	60	60	-	W084P	58	58	-
W092P	52	52	-	W093P	74	74	-	W094P	72	72	-
W102P	52	52	-	W103P	74	74	-	W104P	72	72	-
W112P	69	69	-	W113P	102	102	-	W114P	98	98	-
W122P	68	68	-	W123P	101	101	-	W124P	97	97	-
W132P	100	100	-	W133P	150	150	-	W134P	145	145	-
W142P	97	97	-	W143P	146	146	-	W144P	140	140	-
W152P	130	130	-	W153P	187	187	-	W154P	180	180	-
W162P	124	124	-	W163P	182	182	-	W164P	175	175	-
ST	Lubrication types			ST	Lubrication types			ST	Lubrication types		
2	LB ₁	LP ₂	-	3	LB ₁	LP ₂	-	4	LB ₁	LP ₂	-
W012R	11	11	-	W013R	12	12	-	W014R	-	-	-
W022R	11	11	-	W023R	13	13	-	W024R	-	-	-
W032R	16	16	-	W033R	20	20	-	W034R	20	20	-
W042R	16	16	-	W043R	22	22	-	W044R	21	21	-
W052R	23	23	-	W053R	33	33	-	W054R	33	33	-
W062R	24	24	-	W063R	35	35	-	W064R	35	35	-
W072R	43	43	-	W073R	62	62	-	W074R	62	62	-
W082R	41	41	-	W083R	59	59	-	W084R	60	60	-
W092R	53	53	-	W093R	74	74	-	W094R	74	74	-
W102R	52	52	-	W103R	73	73	-	W104R	73	73	-
W112R	69	69	-	W113R	102	102	-	W114R	102	102	-
W122R	69	69	-	W123R	101	101	-	W124R	101	101	-
W132R	100	100	-	W133R	150	150	-	W134R	150	150	-
W142R	97	97	-	W143R	145	145	-	W144R	145	145	-
W152R	130	130	-	W153R	186	186	-	W154R	186	186	-
W162R	123	123	-	W163R	180	180	-	W164R	181	181	-
ST	Lubrication types			ST	Lubrication types			ST	Lubrication types		
3	LB ₁	LP ₂	LI ₃	4	LB ₁	LP ₂	LI ₃	4	LB ₁	LP ₂	LI ₃
W013T	13	13	27	W014T	-	-	-	W014T	-	-	-
W023T	13	13	29	W024T	-	-	-	W024T	-	-	-
W033T	21	21	45	W034T	21	21	45	W034T	21	21	45
W043T	22	22	47	W044T	21	21	47	W044T	21	21	47
W053T	33	33	69	W054T	44	33	69	W054T	44	33	69
W063T	35	35	73	W064T	46	34	73	W064T	46	34	73
W073T	63	63	126	W074T	82	62	126	W074T	82	62	126
W083T	60	60	122	W084T	78	60	122	W084T	78	60	122
W093T	75	75	154	W094T	102	74	155	W094T	102	74	155
W103T	74	74	152	W104T	98	73	152	W104T	98	73	152
W113T	102	102	213	W114T	142	102	213	W114T	142	102	213
W123T	102	102	210	W124T	141	101	211	W124T	141	101	211
W133T	151	151	316	W134T	205	150	316	W134T	205	150	316
W143T	146	146	306	W144T	201	147	309	W144T	201	147	309
W153T	188	188	388	W154T	251	187	390	W154T	251	187	390
W163T	182	182	377	W164T	244	181	379	W164T	244	181	379

Legend:

ST: number of stages.

LB₁: oil bath lubrication (splash).

LP₂: oil pressure lubrication.

LI₃: oil immersion lubrication.

Lubrication and lubricant quantity

Oil volume

- The values in the following table are reference values. Exact values may vary according to the number of gears and their diameters.
- The exact volume of oil must be obtained after checking the level with the dipstick or sight glass (when available).
- For lubrication with pressure systems, the level must be checked after operation due to oil retention by the system.

Working position P2

Oil volume table - mounting position P2											
Oil volume [L]											
WG50	Lubrication types			ST	Lubrication types			ST	Lubrication types		
2	-	-	LI ₃	3	-	-	LI ₃	4	-	-	LI ₃
W012P	-	-	15	W013P	-	-	18	W014P	-	-	-
W022P	-	-	16	W023P	-	-	19	W024P	-	-	-
W032P	-	-	25	W033P	-	-	31	W034P	-	-	31
W042P	-	-	26	W043P	-	-	33	W044P	-	-	32
W052P	-	-	37	W053P	-	-	51	W054P	-	-	50
W062P	-	-	38	W063P	-	-	53	W064P	-	-	52
W072P	-	-	62	W073P	-	-	86	W074P	-	-	85
W082P	-	-	65	W083P	-	-	90	W084P	-	-	89
W092P	-	-	78	W093P	-	-	104	W094P	-	-	105
W102P	-	-	80	W103P	-	-	107	W104P	-	-	105
W112P	-	-	105	W113P	-	-	144	W114P	-	-	141
W122P	-	-	108	W123P	-	-	149	W124P	-	-	145
W132P	-	-	152	W133P	-	-	213	W134P	-	-	207
W142P	-	-	159	W143P	-	-	218	W144P	-	-	212
W152P	-	-	201	W153P	-	-	275	W154P	-	-	269
W162P	-	-	207	W163P	-	-	279	W164P	-	-	273
ST	Lubrication types			ST	Lubrication types			ST	Lubrication types		
2	-	-	LI ₃	3	-	-	LI ₃	4	-	-	LI ₃
W012R	-	-	17	W013R	-	-	20	W014R	-	-	-
W022R	-	-	18	W023R	-	-	18	W024R	-	-	-
W032R	-	-	26	W033R	-	-	31	W034R	-	-	31
W042R	-	-	26	W043R	-	-	34	W044R	-	-	34
W052R	-	-	38	W053R	-	-	50	W054R	-	-	50
W062R	-	-	39	W063R	-	-	53	W064R	-	-	53
W072R	-	-	62	W073R	-	-	86	W074R	-	-	86
W082R	-	-	65	W083R	-	-	89	W084R	-	-	89
W092R	-	-	79	W093R	-	-	104	W094R	-	-	104
W102R	-	-	82	W103R	-	-	107	W104R	-	-	107
W112R	-	-	110	W113R	-	-	144	W114R	-	-	144
W122R	-	-	113	W123R	-	-	149	W124R	-	-	149
W132R	-	-	157	W133R	-	-	214	W134R	-	-	213
W142R	-	-	164	W143R	-	-	219	W144R	-	-	218
W152R	-	-	207	W153R	-	-	273	W154R	-	-	274
W162R	-	-	210	W163R	-	-	277	W164R	-	-	278
ST	Lubrication types			ST	Lubrication types			ST	Lubrication types		
3	-	-	LI ₃	4	-	-	LI ₃	4	-	-	LI ₃
W013T	-	-	18	W014T	-	-	-	W014T	-	-	-
W023T	-	-	19	W024T	-	-	-	W024T	-	-	-
W033T	-	-	32	W034T	-	-	32	W034T	-	-	32
W043T	-	-	33	W044T	-	-	33	W044T	-	-	33
W053T	-	-	50	W054T	-	-	50	W054T	-	-	50
W063T	-	-	53	W064T	-	-	52	W064T	-	-	52
W073T	-	-	85	W074T	-	-	85	W074T	-	-	85
W083T	-	-	89	W084T	-	-	89	W084T	-	-	89
W093T	-	-	103	W094T	-	-	104	W094T	-	-	104
W103T	-	-	106	W104T	-	-	107	W104T	-	-	107
W113T	-	-	143	W114T	-	-	143	W114T	-	-	143
W123T	-	-	148	W124T	-	-	148	W124T	-	-	148
W133T	-	-	211	W134T	-	-	212	W134T	-	-	212
W143T	-	-	218	W144T	-	-	220	W144T	-	-	220
W153T	-	-	271	W154T	-	-	273	W154T	-	-	273
W163T	-	-	275	W164T	-	-	277	W164T	-	-	277

Legend:

ST: number of stages.

LB₁: oil bath lubrication (splash).

LP₂: oil pressure lubrication.

LI₃: oil immersion lubrication.

Lubrication and lubricant quantity

Oil volume

- The values in the following table are reference values. Exact values may vary according to the number of gears and their diameters.
- The exact volume of oil must be obtained after checking the level with the dipstick or sight glass (when available).
- For lubrication with pressure systems, the level must be checked after operation due to oil retention by the system.

Working position P3

Oil volume table - mounting position P3											
Oil volume [L]											
WG50	Lubrication types			ST	Lubrication types			ST	Lubrication types		
2	LB ₁	-	-	3	LB ₁	-	-	4	LB ₁	-	-
W012P	11	-	-	W013P	13	-	-	W014P	-	-	-
W022P	11	-	-	W023P	13	-	-	W024P	-	-	-
W032P	17	-	-	W033P	20	-	-	W034P	20	-	-
W042P	18	-	-	W043P	22	-	-	W044P	21	-	-
W052P	23	-	-	W053P	31	-	-	W054P	40	-	-
W062P	24	-	-	W063P	33	-	-	W064P	42	-	-
W072P	43	-	-	W073P	57	-	-	W074P	70	-	-
W082P	41	-	-	W083P	54	-	-	W084P	68	-	-
W092P	52	-	-	W093P	68	-	-	W094P	88	-	-
W102P	52	-	-	W103P	67	-	-	W104P	87	-	-
W112P	69	-	-	W113P	96	-	-	W114P	123	-	-
W122P	68	-	-	W123P	95	-	-	W124P	122	-	-
W132P	100	-	-	W133P	142	-	-	W134P	182	-	-
W142P	97	-	-	W143P	137	-	-	W144P	175	-	-
W152P	130	-	-	W153P	178	-	-	W154P	224	-	-
W162P	124	-	-	W163P	173	-	-	W164P	218	-	-
ST	Lubrication types			ST	Lubrication types			ST	Lubrication types		
2	LB ₁	-	-	3	LB ₁	-	-	4	LB ₁	-	-
W012R	11	-	-	W013R	12	-	-	W014R	-	-	-
W022R	11	-	-	W023R	13	-	-	W024R	-	-	-
W032R	16	-	-	W033R	20	-	-	W034R	20	-	-
W042R	16	-	-	W043R	22	-	-	W044R	21	-	-
W052R	23	-	-	W053R	31	-	-	W054R	31	-	-
W062R	24	-	-	W063R	32	-	-	W064R	32	-	-
W072R	43	-	-	W073R	56	-	-	W074R	56	-	-
W082R	41	-	-	W083R	54	-	-	W084R	54	-	-
W092R	53	-	-	W093R	68	-	-	W094R	68	-	-
W102R	52	-	-	W103R	66	-	-	W104R	66	-	-
W112R	69	-	-	W113R	96	-	-	W114R	96	-	-
W122R	69	-	-	W123R	94	-	-	W124R	94	-	-
W132R	100	-	-	W133R	142	-	-	W134R	142	-	-
W142R	97	-	-	W143R	137	-	-	W144R	137	-	-
W152R	130	-	-	W153R	176	-	-	W154R	177	-	-
W162R	123	-	-	W163R	171	-	-	W164R	172	-	-
ST	Lubrication types			ST	Lubrication types			ST	Lubrication types		
3	LB ₁	-	-	4	LB ₁	-	-	4	LB ₁	-	-
W013T	12	-	-	W014T	-	-	-	W014T	-	-	-
W023T	12	-	-	W024T	-	-	-	W024T	-	-	-
W033T	20	-	-	W034T	20	-	-	W034T	20	-	-
W043T	21	-	-	W044T	20	-	-	W044T	20	-	-
W053T	29	-	-	W054T	29	-	-	W054T	29	-	-
W063T	31	-	-	W064T	31	-	-	W064T	31	-	-
W073T	54	-	-	W074T	54	-	-	W074T	54	-	-
W083T	51	-	-	W084T	52	-	-	W084T	52	-	-
W093T	65	-	-	W094T	67	-	-	W094T	67	-	-
W103T	63	-	-	W104T	65	-	-	W104T	65	-	-
W113T	92	-	-	W114T	93	-	-	W114T	93	-	-
W123T	91	-	-	W124T	92	-	-	W124T	92	-	-
W133T	136	-	-	W134T	138	-	-	W134T	138	-	-
W143T	132	-	-	W144T	135	-	-	W144T	135	-	-
W153T	169	-	-	W154T	172	-	-	W154T	172	-	-
W163T	164	-	-	W164T	168	-	-	W164T	168	-	-

Legend:

ST: number of stages.

LB₁: oil bath lubrication (splash).

LP₂: oil pressure lubrication.

LI₃: oil immersion lubrication.

Lubrication and lubricant quantity

Oil volume

- The values in the following table are reference values. Exact values may vary according to the number of gears and their diameters.
- The exact volume of oil must be obtained after checking the level with the dipstick or sight glass (when available).
- For lubrication with pressure systems, the level must be checked after operation due to oil retention by the system.

Working position P4

Oil volume table - mounting position P4											
Oil volume [L]											
WG50	Lubrication types			ST	Lubrication types			ST	Lubrication types		
2	LB ₁	LP ₂	LI ₃	3	LB ₁	LP ₂	LI ₃	4	LB ₁	LP ₂	LI ₃
W012P	-	12	19	W013P	-	12	24	W014P	-	-	-
W022P	-	14	21	W023P	-	14	25	W024P	-	-	-
W032P	-	18	29	W033P	-	19	38	W034P	-	19	37
W042P	-	20	31	W043P	-	21	40	W044P	-	20	40
W052P	25	25	41	W053P	26	26	58	W054P	26	26	57
W062P	28	28	44	W063P	30	30	62	W064P	30	30	61
W072P	52	52	83	W073P	56	56	112	W074P	56	56	110
W082P	49	49	79	W083P	53	53	107	W084P	53	53	106
W092P	61	61	96	W093P	64	64	135	W094P	64	64	132
W102P	60	60	95	W103P	61	61	133	W104P	61	61	131
W112P	83	83	131	W113P	86	86	186	W114P	86	86	184
W122P	79	79	129	W123P	82	82	184	W124P	82	82	181
W132P	126	126	192	W133P	130	130	277	W134P	130	130	273
W142P	113	113	184	W143P	116	116	266	W144P	116	116	262
W152P	151	151	242	W153P	151	151	341	W154P	151	151	336
W162P	136	136	228	W163P	137	137	330	W164P	137	137	325
ST	Lubrication types			ST	Lubrication types			ST	Lubrication types		
2	LB ₁	LP ₂	LI ₃	3	LB ₁	LP ₂	LI ₃	4	LB ₁	LP ₂	LI ₃
W012R	-	12	24	W013R	-	12	27	W014R	-	-	-
W022R	-	14	26	W023R	-	14	29	W024R	-	-	-
W032R	-	18	38	W033R	-	19	45	W034R	-	19	45
W042R	-	20	40	W043R	-	21	48	W044R	-	20	47
W052R	25	25	55	W053R	26	26	69	W054R	26	26	69
W062R	28	28	58	W063R	30	30	73	W064R	30	30	73
W072R	52	52	102	W073R	56	56	127	W074R	56	56	127
W082R	49	49	97	W083R	53	53	123	W084R	53	53	123
W092R	62	62	127	W093R	64	64	155	W094R	64	64	155
W102R	61	61	126	W103R	61	61	153	W104R	61	61	153
W112R	83	83	176	W113R	86	86	214	W114R	86	86	214
W122R	80	80	173	W123R	82	82	212	W124R	82	82	211
W132R	128	128	258	W133R	130	130	319	W134R	130	130	318
W142R	114	114	250	W143R	116	116	308	W144R	116	116	307
W152R	152	152	322	W153R	151	151	390	W154R	151	151	391
W162R	137	137	309	W163R	137	137	380	W164R	137	137	380
ST	Lubrication types			ST	Lubrication types			ST	Lubrication types		
3	LB ₁	LP ₂	LI ₃	4	LB ₁	LP ₂	LI ₃	4	LB ₁	LP ₂	LI ₃
W013T	-	12	27	W014T	-	-	-				
W023T	-	14	29	W024T	-	-	-				
W033T	-	19	45	W034T	-	19	45				
W043T	-	21	47	W044T	-	20	47				
W053T	26	26	45	W054T	26	26	46				
W063T	30	30	50	W064T	30	30	50				
W073T	56	56	86	W074T	56	56	86				
W083T	53	53	82	W084T	53	53	82				
W093T	64	64	101	W094T	64	64	101				
W103T	61	61	98	W104T	61	61	98				
W113T	86	86	136	W114T	86	86	136				
W123T	82	82	133	W124T	82	82	133				
W133T	130	130	198	W134T	130	130	209				
W143T	116	116	188	W144T	116	116	203				
W153T	151	151	245	W154T	151	151	262				
W163T	137	137	236	W164T	137	137	253				

Legend:

ST: number of stages.

LB₁: oil bath lubrication (splash).

LP₂: oil pressure lubrication.

LI₃: oil immersion lubrication.

Lubrication and lubricant quantity

Oil volume

- The values in the following table are reference values. Exact values may vary according to the number of gears and their diameters.
- The exact volume of oil must be obtained after checking the level with the dipstick or sight glass (when available).
- For lubrication with pressure systems, the level must be checked after operation due to oil retention by the system.

Working position P5-P6

Oil volume table - mounting position P5-P6											
Oil volume [L]											
ST	Lubrication types			ST	Lubrication types			ST	Lubrication types		
2	-	LP ₂	LI ₃	3	-	LP ₂	LI ₃	4	-	LP ₂	LI ₃
W012P	-	16	24	W013P	-	18	28	W014P	-	-	-
W022P	-	17	26	W023P	-	18	29	W024P	-	-	-
W032P	-	28	38	W033P	-	32	45	W034P	-	32	44
W042P	-	29	40	W043P	-	35	48	W044P	-	33	47
W052P	-	38	55	W053P	-	45	70	W054P	-	44	69
W062P	-	41	58	W063P	-	45	74	W064P	-	45	73
W072P	-	68	102	W073P	-	83	128	W074P	-	82	126
W082P	-	62	98	W083P	-	77	123	W084P	-	76	122
W092P	-	84	126	W093P	-	103	155	W094P	-	101	152
W102P	-	82	124	W103P	-	99	153	W104P	-	97	151
W112P	-	119	171	W113P	-	145	214	W114P	-	142	210
W122P	-	114	168	W123P	-	141	212	W124P	-	138	208
W132P	-	171	253	W133P	-	211	318	W134P	-	205	312
W142P	-	162	245	W143P	-	199	307	W144P	-	196	301
W152P	-	208	315	W153P	-	251	392	W154P	-	247	385
W162P	-	199	306	W163P	-	239	381	W164P	-	234	375
ST	Lubrication types			ST	Lubrication types			ST	Lubrication types		
2	-	LP ₂	LI ₃	3	-	LP ₂	LI ₃	4	-	LP ₂	LI ₃
W012R	-	16	24	W013R	-	19	27	W014R	-	-	-
W022R	-	18	26	W023R	-	20	29	W024R	-	-	-
W032R	-	28	38	W033R	-	33	45	W034R	-	32	45
W042R	-	30	40	W043R	-	35	48	W044R	-	34	47
W052R	-	36	55	W053R	-	44	69	W054R	-	44	69
W062R	-	36	58	W063R	-	45	73	W064R	-	45	73
W072R	-	67	102	W073R	-	82	127	W074R	-	82	127
W082R	-	62	97	W083R	-	77	123	W084R	-	77	123
W092R	-	84	127	W093R	-	103	155	W094R	-	103	155
W102R	-	82	126	W103R	-	98	153	W104R	-	98	153
W112R	-	121	176	W113R	-	145	214	W114R	-	145	214
W122R	-	116	173	W123R	-	140	212	W124R	-	140	211
W132R	-	173	258	W133R	-	210	319	W134R	-	209	318
W142R	-	164	250	W143R	-	199	307	W144R	-	199	307
W152R	-	211	322	W153R	-	248	390	W154R	-	249	391
W162R	-	198	309	W163R	-	237	379	W164R	-	237	380
ST	Lubrication types			ST	Lubrication types			ST	Lubrication types		
3	-	LP ₂	LI ₃	4	-	LP ₂	LI ₃	4	-	LP ₂	LI ₃
W013T	-	19	27	W014T	-	-	-	W014T	-	-	-
W023T	-	20	29	W024T	-	-	-	W024T	-	-	-
W033T	-	33	45	W034T	-	33	45	W034T	-	33	45
W043T	-	35	47	W044T	-	34	47	W044T	-	34	47
W053T	-	44	69	W054T	-	44	69	W054T	-	44	69
W063T	-	45	73	W064T	-	45	73	W064T	-	45	73
W073T	-	82	127	W074T	-	82	127	W074T	-	82	127
W083T	-	77	123	W084T	-	77	123	W084T	-	77	123
W093T	-	103	155	W094T	-	103	155	W094T	-	103	155
W103T	-	98	153	W104T	-	98	153	W104T	-	98	153
W113T	-	145	214	W114T	-	145	214	W114T	-	145	214
W123T	-	140	212	W124T	-	140	211	W124T	-	140	211
W133T	-	210	319	W134T	-	209	318	W134T	-	209	318
W143T	-	199	307	W144T	-	199	307	W144T	-	199	307
W153T	-	248	390	W154T	-	249	391	W154T	-	249	391
W163T	-	237	379	W164T	-	237	380	W164T	-	237	380

Legend:

ST: number of stages.

LB₁: oil bath lubrication (splash).

LP₂: oil pressure lubrication.

LI₃: oil immersion lubrication.

Lubrication and lubricant quantity

The operating temperature is the oil temperature after the stabilization of the working temperature at full load (after approximately three hours of continuous operation). The minimum ambient temperature for starting gearboxes depends on the viscosity and type of lubricating oil. The table below shows the minimum ambient temperature for starting the gearboxes:

Oil		Minimum temperature	
Type	Viscosity	Immersion lubrication	Forced lubrication
Mineral CLP	ISO VG 320	+7 °C	+14 °C
CLP HC Synthetic (PAO)	ISO VG 320	0 °C	+8 °C

For other temperatures, contact WEG.

The external temperature of the housing is approximately 15 °C below the operating temperature (oil temperature).

In case of adverse environment conditions (high humidity, aggressiveness, dust), the change period may be reduced. In this case, contact WEG.

Selection tables

W06 - n1 = 1,800 rpm													28 kNm		
i _N	i _{ex}	n2 [rpm]	M2 [kNm]	P1 [kW]	PT - 20 °C [kW]									ST	Dimensions
					Mounting position - P1			Mounting position - P5			Mounting position - P4				
					PTG	PTV	PTC	PTG	PTV	PTC	PTG	PTV	PTC		
8	7.82	230	24.4	604	168	373	327	*	255	224	*	308	270	2	
9	8.99	200	26.7	576	157	348	306	*	246	216	*	298	261		
10	9.71	185	27.6	551	157	348	306	*	268	235	*	309	271		
11.2	11.16	161	28	487	148	327	287	*	253	222	132	293	257		
12.5	12.47	144	28	436	141	312	274	118	261	229	130	289	254		
14	14.34	126	28	380	133	294	258	111	246	215	123	273	240		
16	15.73	114	28	346	133	294	258	117	260	228	126	279	245		
18	18.10	99	28	302	125	277	243	110	244	214	119	264	231		
20	19.53	92	28	280	121	269	236	112	248	217	117	260	228		
22.4	22.47	80	28	244	115	254	223	105	233	204	111	246	215		

Legend:

PT = thermal power.

PTG = thermal capacity of the gearbox without systems (dissipated by the housing).

PTV = thermal capacity of the gearbox with fan.

PTC = thermal capacity of the gearbox with coil.

i_N = nominal gear ratio.

i_{ex} = exact gear ratio.

n1 = input speed.

n2 = output speed.

M2 = rated torque.

P1 = rated power.

ST = stages.

Note:

The thermal powers provided in the tables on pages 26 to 153 are for radial fans in both directions of rotation. For the option with axial fan and single direction of rotation and higher thermal power, refer to page 9 Thermal Power.

The powers provided in the selection tables, pages 26 to 153, consider effective efficiencies that approximate the nominal efficiencies reported on page 10.

Selection tables

Parallel gearboxes

W01 P - 1,800 rpm

W01 - n1 = 1,800 rpm														22 kNm	
i _N	i _{ex}	n2 [rpm]	M2 [kNm]	P1 [kW]	PT - 20 °C [kW]									ST	Dimensions
					Mounting position - P1			Mounting position - P5			Mounting position - P4				
					PTG	PTV	PTC	PTG	PTV	PTC	PTG	PTV	PTC		
6,3	6,18	291	7,5	229	78	173	-	74	164	-	76	168	-	2	(P1) 154 - 155 (P5) 170 - 171 (P4) 182 - 183
7,1	7,15	252	7,5	198	73	162	-	69	153	-	71	158	-		
8	7,74	233	7,5	183	74	164	-	71	157	-	72	160	-		
9	8,95	201	7,5	158	69	154	-	66	147	-	68	150	-		
10	9,86	183	7,5	143	70	155	-	68	151	-	69	153	-		
11,2	11,41	158	7,5	124	66	146	-	64	141	-	65	143	-		
12,5	12,55	143	7,5	113	66	146	-	64	143	-	65	144	-		
14	14,52	124	7,5	97	62	137	-	60	134	-	61	136	-		
16	15,59	115	7,5	91	60	132	-	59	131	-	59	132	-		
18	18,03	100	7,5	78	56	125	-	56	123	-	56	124	-		
20	19,38	93	7,5	73	47	105	-	47	104	-	47	104	-		
22,4	22,42	80	7,5	63	45	100	-	45	99	-	45	100	-		
25	24,67	73	7,5	57	45	100	-	45	99	-	45	100	-		
28	28,53	63	7,5	50	43	96	-	43	94	-	43	95	-		
31,5	31,13	58	7,5	45	42	93	-	42	92	-	42	93	-		
35,5	36,00	50	7,5	39	40	89	-	40	88	-	40	89	-		
40	38,66	47	7,5	37	39	87	-	39	86	-	39	86	-		
45	44,72	40	7,5	32	37	83	-	37	82	-	37	82	-		
50	49,57	36	7,5	29	37	82	-	37	81	-	37	81	-		
56	57,34	31	7,5	25	35	78	-	35	78	-	35	78	-		
63	61,58	29	7,5	23	34	76	-	34	75	-	34	76	-		
71	71,23	25	7,5	20	33	72	-	33	72	-	33	72	-		
80	80,62	22	7,5	18	31	69	-	31	69	-	31	69	-		
90	91,85	20	7,5	15	30	66	-	30	66	-	30	66	-		
														3	(P1) 156 - 157 (P5) 172 - 173 (P4) 184 - 185

Notes: (*) = Consult WEG.

(-) = Not available.

When the fan is installed on the input flange, PT is derated by 20%.

Selection tables

Parallel gearboxes

W02 P - 1,800 rpm

W02 - n1 = 1,800 rpm														28 kNm	
iN	i _{ex}	n2 [rpm]	M2 [kNm]	P1 [kW]	PT - 20 °C [kW]									ST	Dimensions
					Mounting position - P1			Mounting position - P5			Mounting position - P4				
					PTG	PTV	PTC	PTG	PTV	PTC	PTG	PTV	PTC		
8	7,75	232	9,5	231	83	185	-	78	173	-	80	177	-	2	(P1) 154 - 155 (P5) 170 - 171 (P4) 182 - 183
9	8,91	202	9,5	201	78	173	-	73	161	-	75	166	-		
10	9,70	186	9,5	185	79	174	-	75	166	-	76	169	-		
11,2	11,16	161	9,5	160	74	163	-	70	155	-	72	159	-		
12,5	12,36	146	9,5	145	74	165	-	72	159	-	73	162	-		
14	14,22	127	9,5	126	70	154	-	67	149	-	68	151	-		
16	15,73	114	9,5	114	70	155	-	68	151	-	69	153	-		
18	18,10	99	9,5	99	65	145	-	64	142	-	65	143	-		
20	19,54	92	9,5	92	63	140	-	62	138	-	63	139	-		
22,4	22,48	80	9,5	80	60	132	-	59	130	-	59	131	-		
25	24,30	74	9,5	74	52	115	-	51	114	-	51	114	-	3	(P1) 156 - 157 (P5) 172 - 173 (P4) 184 - 185
28	27,95	64	9,5	64	50	110	-	49	108	-	49	108	-		
31,5	30,92	58	9,5	58	50	110	-	49	109	-	49	109	-		
35,5	35,57	51	9,5	50	47	105	-	47	103	-	47	103	-		
40	39,02	46	9,5	46	46	102	-	46	101	-	46	101	-		
45	44,88	40	9,5	40	44	97	-	44	96	-	44	96	-		
50	48,46	37	9,5	37	43	95	-	42	94	-	42	94	-		
56	55,75	32	9,5	32	41	91	-	40	90	-	40	90	-		
63	62,14	29	9,5	29	40	89	-	40	89	-	40	89	-		
71	71,48	25	9,5	25	38	85	-	38	85	-	38	85	-		
80	77,19	23	9,5	23	37	83	-	37	82	-	37	82	-		
90	88,79	20	9,5	20	36	79	-	36	79	-	36	79	-		
100	100,50	18	9,5	18	36	80	-	36	79	-	36	79	-		
112	114,50	16	9,5	16	32	72	-	32	72	-	32	72	-		

Notes: (*) = Consult WEG.

(-) = Not available.

When the fan is installed on the input flange, PT is derated by 20%.

Selection tables

Parallel gearboxes

W03 P - 1,800 rpm

W03 - n1 = 1,800 rpm														28 kNm	
iN	i _{ex}	n2 [rpm]	M2 [kNm]	P1 [kW]	PT - 20 °C [kW]									ST	Dimensions
					Mounting position - P1			Mounting position - P5			Mounting position - P4				
					PTG	PTV	PTC	PTG	PTV	PTC	PTG	PTV	PTC		
6,3	6,22	290	10,9	330	109	241	434	98	218	392	103	228	410	2	(P1) 154 - 155 (P5) 170 - 171 (P4) 182 - 183
7,1	7,19	250	11,4	298	101	224	404	92	203	367	96	213	384		
8	7,74	233	11,7	285	104	231	416	97	214	386	100	222	401		
9	8,95	201	12,2	257	97	215	387	90	200	360	94	208	374		
10	9,86	183	12,7	242	98	216	390	93	206	372	95	211	381		
11,2	11,41	158	13,0	215	91	202	364	87	192	347	89	197	356		
12,5	12,55	143	13,0	195	89	198	357	87	192	347	88	196	352		
14	14,52	124	13,0	169	84	186	335	81	180	325	83	183	331		
16	15,55	116	13,0	158	81	180	325	80	176	318	81	179	322		
18	17,98	100	13,0	136	77	170	306	75	166	299	76	168	303		
20	19,36	93	13,0	127	66	147	276	65	144	271	66	145	273		
22,4	22,39	80	13,0	109	63	140	263	62	137	257	62	138	260		
25	24,64	73	13,0	99	62	137	258	61	135	254	61	136	256		
28	28,50	63	13,0	86	59	131	246	58	128	241	59	130	244		
31,5	31,10	58	13,0	79	58	129	243	57	127	239	58	128	241		
35,5	35,98	50	13,0	68	56	123	232	55	121	228	55	122	230		
40	38,53	47	13,0	64	54	120	225	53	118	222	54	119	224		
45	44,56	40	13,0	55	52	114	215	51	112	212	51	114	214		
50	49,50	36	13,0	49	51	112	211	50	111	210	50	112	211		
56	57,26	31	13,0	43	48	107	202	48	106	200	48	107	201		
63	61,32	29	13,0	40	47	104	197	47	104	195	47	104	196		
71	70,93	25	13,0	35	45	100	188	45	99	187	45	100	188		
80	80,98	22	13,0	30	45	99	186	44	98	184	44	98	185		
90	91,90	20	13,0	27	44	97	183	44	97	182	44	97	183		
100	97,09	19	13,0	25	45	-	187	44	-	185	45	-	186		
112	112,30	16,0	13,0	22	43	-	179	42	-	177	43	-	178		
125	128,22	14,0	13,0	19	42	-	177	42	-	175	42	-	176		
140	143,49	12,5	13,0	17	41	-	170	40	-	168	41	-	169		
160	163,84	11,0	13,0	15	40	-	168	40	-	166	40	-	167		
180	178,74	10,1	13,0	14	37	-	155	37	-	154	37	-	154		
200	204,08	8,8	13,0	12	37	-	153	36	-	151	36	-	152		
224	225,06	8,0	13,0	11	37	-	153	36	-	152	37	-	152		
250	256,97	7,0	13,0	10	36	-	150	36	-	150	36	-	150		
280	280,33	6,4	13,0	9	33	-	139	33	-	138	33	-	139		
315	320,08	5,6	13,0	8	33	-	137	33	-	136	33	-	136		
355	363,23	5,0	13,0	7	32	-	134	32	-	134	32	-	134		

Notes: (*) = Consult WEG.

(-) = Not available.

When the fan is installed on the input flange, PT is derated by 20%.

Selection tables

Parallel gearboxes

W04 P - 1,800 rpm

W04 - n1 = 1,800 rpm														28 kNm	
iN	i _{ex}	n2 [rpm]	M2 [kNm]	P1 [kW]	PT - 20 °C [kW]									ST	Dimensions
					Mounting position - P1			Mounting position - P5			Mounting position - P4				
					PTG	PTV	PTC	PTG	PTV	PTC	PTG	PTV	PTC		
8	7,79	231	13,6	330	121	269	450	109	242	404	114	253	423	2	(P1) 154 - 155 (P5) 170 - 171 (P4) 182 - 183
9	8,96	201	14,2	298	113	250	419	102	226	378	107	237	396		
10	9,70	186	14,6	285	117	259	433	108	239	400	112	248	415		
11,2	11,16	161	15,2	257	108	240	402	100	223	373	104	231	387		
12,5	12,36	146	15,9	242	109	242	406	104	231	386	107	236	396		
14	14,22	127	16,5	219	102	226	378	97	215	360	99	220	369		
16	15,73	114	16,5	198	100	222	372	97	215	360	99	219	366		
18	18,10	99	16,5	172	94	208	348	91	201	337	92	205	343		
20	19,49	92	16,5	160	91	202	338	89	197	330	90	200	334		
22,4	22,42	80	16,5	139	86	190	317	84	185	310	85	188	314		
25	24,26	74	16,5	128	71	158	284	70	155	278	71	157	281	3	(P1) 156 - 157 (P5) 172 - 173 (P4) 184 - 185
28	27,91	64	16,5	111	68	150	269	67	147	264	67	149	267		
31,5	30,88	58	16,5	101	67	148	265	66	145	260	66	147	263		
35,5	35,52	51	16,5	88	64	141	252	62	138	247	63	140	250		
40	38,99	46	16,5	80	63	139	249	62	137	246	62	138	248		
45	44,85	40	16,5	69	60	132	237	59	130	234	59	132	236		
50	48,29	37	16,5	64	58	129	231	57	127	228	58	128	230		
56	55,55	32	16,5	56	56	123	221	55	121	217	55	122	219		
63	62,06	29	16,5	50	55	121	216	54	120	215	54	121	216		
71	71,38	25	16,5	44	52	115	207	52	115	205	52	115	206		
80	76,87	23	16,5	40	51	113	202	50	112	200	51	112	201		
90	88,42	20	16,5	35	49	108	193	48	107	191	48	107	192		
100	100,95	18	16,5	31	48	106	190	48	105	189	48	106	190		
112	114,56	16	16,5	27	47	105	188	47	104	187	47	105	187		
125	121,70	14,8	16,5	26	48	-	121	48	-	120	48	-	121	(P1) 158 - 159 (P5) 174 - 175 (P4) 186 - 187	
140	139,99	12,9	16,5	22	46	-	116	46	-	115	46	-	115		
160	159,84	11,3	16,5	19	46	-	115	45	-	113	45	-	114		
180	178,88	10,1	16,5	17	44	-	110	43	-	109	44	-	110		
200	204,24	8,8	16,5	15	43	-	109	43	-	108	43	-	108		
224	222,81	8,1	16,5	14	40	-	101	40	-	100	40	-	100		
250	254,40	7,1	16,5	12	39	-	99	39	-	98	39	-	99		
280	280,55	6,4	16,5	11	39	-	99	39	-	99	39	-	99		
315	320,33	5,6	16,5	10	39	-	98	39	-	97	39	-	97		
355	349,46	5,2	16,5	9	36	-	90	36	-	90	36	-	90		
400	399,01	4,5	16,5	8	35	-	89	35	-	88	35	-	88		
450	452,79	4,0	16,5	7	35	-	87	34	-	87	35	-	87		

Notes: (*) = Consult WEG.

(-) = Not available.

When the fan is installed on the input flange, PT is derated by 20%.

Selection tables

Parallel gearboxes

W05 P - 1,800 rpm

W05 - n1 = 1,800 rpm														22 kNm	
i _N	i _{ex}	n2 [rpm]	M2 [kNm]	P1 [kW]	PT - 20 °C [kW]									ST	Dimensions
					Mounting position - P1			Mounting position - P5			Mounting position - P4				
					PTG	PTV	PTC	PTG	PTV	PTC	PTG	PTV	PTC		
6,3	6,23	289	18,3	570	171	379	525	143	317	440	148	328	455	2	(P1) 154 - 155 (P5) 170 - 171 (P4) 182 - 183
7,1	7,21	250	19,5	525	160	354	491	135	299	415	140	310	429		
8	7,74	232	19,5	489	161	357	497	142	315	438	146	323	450		
9	8,96	201	21	456	152	336	466	134	298	413	138	306	424		
10	9,95	181	21	410	146	324	449	135	299	415	138	305	422		
11,2	11,51	156	22	372	137	305	422	127	281	390	129	287	397		
12,5	12,55	143	22	341	140	311	430	133	295	408	135	298	413		
14	14,52	124	22	294	132	292	405	125	277	383	127	280	388		
16	15,58	116	22	274	130	288	399	125	278	385	126	280	388		
18	18,02	100	22	237	123	272	377	118	262	362	119	264	366		
20	19,51	92	19	192	100	221	307	97	215	298	98	218	302	3	(P1) 156 - 157 (P5) 172 - 173 (P4) 184 - 185
22,4	22,57	80	22	192	96	212	293	93	205	284	94	208	289		
25	24,62	73	22	176	100	221	307	97	215	298	98	218	302		
28	28,48	63	22	152	96	212	293	93	205	284	94	208	289		
31,5	31,38	57	22	138	95	210	291	93	205	285	94	207	287		
35,5	36,29	50	22	120	91	201	278	89	196	272	90	198	275		
40	38,95	46	22	111	89	198	274	87	194	269	88	196	272		
45	45,05	40	22	96	86	189	263	84	185	256	85	187	260		
50	49,60	36	22	87	82	182	253	82	181	250	82	181	252		
56	57,38	31	22	76	75	166	230	74	164	227	74	165	228		
63	61,58	29	22	70	75	166	230	74	164	227	74	165	228		
71	71,23	25	22	61	75	166	230	74	164	227	74	165	228		
80	81,15	22	22	53	75	166	230	74	164	227	74	165	228		
90	91,85	20	22	47	68	151	209	67	149	207	68	150	208		
100	100,89	18	22	44	74	-	228	73	-	225	74	-	227	4	(P1) 158 - 159 (P5) 174 - 175 (P4) 186 - 187
112	111,74	16	22	39	71	-	219	70	-	216	71	-	218		
125	127,29	14	22	35	68	-	208	67	-	205	67	-	207		
140	142,21	13	22	31	67	-	206	66	-	203	67	-	205		
160	162,01	11,1	22	27	64	-	196	63	-	193	63	-	195		
180	176,65	10,2	22	25	62	-	190	61	-	187	62	-	189		
200	201,25	8,9	22	22	59	-	181	58	-	178	59	-	180		
224	226,50	7,9	22	19	60	-	184	59	-	182	60	-	183		
250	258,04	7,0	22	17	57	-	175	57	-	173	57	-	174		
280	281,36	6,4	22	16	55	-	170	55	-	168	55	-	169		
315	320,53	5,6	22	14	53	-	162	52	-	160	52	-	161		
355	362,81	5,0	22	12	50	-	154	50	-	153	50	-	154		

Notes: (*) = Consult WEG.

(-) = Not available.

When the fan is installed on the input flange, PT is derated by 20%.

Selection tables

Parallel gearboxes

W06 P - 1,800 rpm

W06 - n1 = 1,800 rpm													28 kNm		
iN	i _{ex}	n2 [rpm]	M2 [kNm]	P1 [kW]	PT - 20 °C [kW]									ST	Dimensions
					Mounting position - P1			Mounting position - P5			Mounting position - P4				
					PTG	PTV	PTC	PTG	PTV	PTC	PTG	PTV	PTC		
8	7,82	230	24	597	191	423	371	160	355	311	165	366	321	2	(P1) 154 - 155 (P5) 170 - 171 (P4) 182 - 183
9	8,99	200	26	562	178	395	347	152	336	295	157	347	304		
10	9,71	185	27	541	181	402	352	161	357	313	165	365	320		
11,2	11,16	161	28	487	170	376	330	151	334	293	155	343	301		
12,5	12,47	144	28	436	164	363	319	152	336	295	154	342	300		
14	14,34	126	28	379	154	342	300	142	315	277	145	321	282		
16	15,73	114	28	346	158	350	307	149	331	290	151	335	294		
18	18,10	99	28	301	148	329	288	140	311	272	142	315	276		
20	19,53	92	28	279	146	324	285	141	313	274	142	315	277		
22,4	22,47	80	28	242	138	305	268	133	294	258	134	297	260		
25	24,46	74	24	193	109	241	217	105	233	209	107	237	213	3	(P1) 156 - 157 (P5) 172 - 173 (P4) 184 - 185
28	28,13	64	28	196	102	226	203	99	220	197	101	223	200		
31,5	30,86	58	28	179	107	237	213	104	230	207	105	233	210		
35,5	35,50	51	28	156	102	226	203	99	220	197	101	223	200		
40	39,33	46	28	140	101	225	202	99	220	198	100	222	200		
45	45,24	40	28	122	97	215	193	95	210	189	96	212	191		
50	48,83	37	28	113	96	212	191	94	208	187	95	210	189		
56	56,16	32	28	98	92	203	182	89	198	178	91	200	180		
63	62,18	29	28	89	84	185	166	83	183	165	83	184	166		
71	71,52	25	28	77	80	177	159	79	175	157	80	176	158		
80	77,19	23	28	72	80	177	159	79	175	157	80	176	158		
90	88,79	20	28	62	80	177	159	79	175	157	80	176	158		
100	101,16	18	28	55	76	169	152	75	167	150	76	168	151		
112	114,50	16	28	48	73	161	145	72	160	143	73	161	144		
125	125,76	14	28	45	80	-	159	79	-	157	79	-	158	4	(P1) 158 - 159 (P5) 174 - 175 (P4) 186 - 187
140	139,29	13	28	40	76	-	152	75	-	150	76	-	151		
160	158,68	11,3	28	35	73	-	145	72	-	142	72	-	144		
180	177,27	10,2	28	32	72	-	143	71	-	141	71	-	142		
200	201,96	8,9	28	28	68	-	136	67	-	134	68	-	135		
224	220,21	8,2	28	25	66	-	132	65	-	130	66	-	131		
250	250,87	7,2	28	22	63	-	126	62	-	124	63	-	125		
280	282,35	6,4	28	20	64	-	127	64	-	127	64	-	127		
315	321,67	5,6	28	17	61	-	121	60	-	120	61	-	121		
355	350,73	5,1	28	16	59	-	118	59	-	117	59	-	117		
400	399,57	4,5	28	14	56	-	112	56	-	111	56	-	112		
450	452,27	4,0	28	12	54	-	107	53	-	106	54	-	107		

Notes: (*) = Consult WEG.

(-) = Not available.

When the fan is installed on the input flange, PT is derated by 20%.

Selection tables

Parallel gearboxes

W07 P - 1,800 rpm

W07 - n1 = 1,800 rpm														36 kNm	
iN	i _{ex}	n2 [rpm]	M2 [kNm]	P1 [kW]	PT - 20 °C [kW]									ST	Dimensions
					Mounting position - P1			Mounting position - P5			Mounting position - P4				
					PTG	PTV	PTC	PTG	PTV	PTC	PTG	PTV	PTC		
6,3	6,26	288	31	963	261	579	626	200	444	480	210	466	504	2	(P1) 154 - 155 (P5) 170 - 171 (P4) 182 - 183
7,1	7,24	249	34	913	245	543	587	191	423	458	201	445	481		
8	7,74	232	35	878	250	553	598	208	462	499	216	479	518		
9	8,96	201	36	781	234	519	561	195	433	468	203	450	487		
10	9,86	183	36	709	238	528	571	210	465	503	216	478	517		
11,2	11,41	158	36	613	224	496	536	196	434	470	202	448	485		
12,5	12,35	146	36	567	225	499	540	206	456	493	210	466	504		
14	14,28	126	36	490	212	469	507	193	427	462	197	437	473		
16	15,55	116	36	450	199	441	477	187	415	449	190	421	456		
18	17,98	100	36	389	188	417	451	177	391	423	179	398	430		
20	19,34	93	33,5	341	158	349	385	149	330	365	153	339	374	3	(P1) 156 - 157 (P5) 172 - 173 (P4) 184 - 185
22,4	22,37	80	36	317	149	331	366	142	313	346	145	321	355		
25	24,22	74	36	293	157	347	383	149	330	364	152	337	373		
28	28,02	64	36	253	149	331	366	142	313	346	145	321	355		
31,5	30,87	58	36	230	148	327	361	142	315	348	145	321	354		
35,5	35,71	50	36	199	141	313	345	136	300	332	138	306	338		
40	38,86	46	36	183	134	296	327	129	285	315	131	291	321		
45	44,95	40	36	158	128	284	313	123	272	301	126	278	307		
50	48,66	37	36	146	115	255	282	113	251	277	114	253	280		
56	56,29	32	36	126	111	246	272	109	241	266	110	243	269		
63	61,27	29	36	116	111	246	272	109	241	266	110	243	269		
71	70,87	25	36	100	111	246	272	109	241	266	110	243	269		
80	81,45	22	36	87	109	241	266	106	235	260	108	238	263		
90	92,99	19	36	76	106	235	260	104	231	255	105	233	258		
100	96,32	19	36	75	111	-	272	109	-	267	110	-	270	4	(P1) 158 - 159 (P5) 174 - 175 (P4) 186 - 187
112	111,41	16	36	65	107	-	262	105	-	256	106	-	259		
125	128,04	14	36	56	105	-	257	102	-	250	104	-	254		
140	141,79	13	36	51	99	-	243	97	-	237	98	-	241		
160	162,95	11,0	36	44	97	-	238	95	-	232	96	-	236		
180	175,63	10,2	36	41	92	-	225	90	-	219	91	-	223		
200	201,84	8,9	36	36	90	-	220	88	-	214	89	-	218		
224	225,68	8,0	36	32	89	-	218	88	-	215	89	-	217		
250	259,36	6,9	36	28	87	-	213	86	-	211	87	-	212		
280	279,54	6,4	36	26	82	-	202	81	-	199	82	-	201		
315	321,26	5,6	36	22	81	-	197	79	-	194	80	-	196		
355	366,81	4,9	36	20	79	-	192	77	-	189	78	-	191		

Notes: (*) = Consult WEG.

(-) = Not available.

When the fan is installed on the input flange, PT is derated by 20%.

Selection tables

Parallel gearboxes

W08 P - 1,800 rpm

W08 - n1 = 1,800 rpm														46 kNm	
iN	i _{ex}	n2 [rpm]	M2 [kNm]	P1 [kW]	PT - 20 °C [kW]									ST	Dimensions
					Mounting position - P1			Mounting position - P5			Mounting position - P4				
					PTG	PTV	PTC	PTG	PTV	PTC	PTG	PTV	PTC		
8	7,84	230	39	966	271	600	462	205	455	350	215	478	368	2	(P1) 154 - 155 (P5) 170 - 171 (P4) 182 - 183
9	9,02	200	42,5	915	255	564	435	197	437	336	207	459	353		
10	9,71	185	44	881	261	578	445	216	478	369	224	496	382		
11,2	11,16	161	45	783	244	541	417	203	451	347	211	468	361		
12,5	12,36	146	46	723	250	553	426	219	486	374	225	499	385		
14	14,22	127	46	629	234	519	400	205	454	350	211	468	360		
16	15,48	116	46	577	236	523	403	216	478	368	220	488	376		
18	17,80	101	46	502	222	491	378	202	447	345	206	457	352		
20	19,49	92	46	459	209	463	357	196	435	335	199	442	340		
22,4	22,42	80	46	399	197	437	337	185	410	316	188	417	321		
25	24,25	74	42	342	165	365	286	156	345	271	160	354	278	3	(P1) 156 - 157 (P5) 172 - 173 (P4) 184 - 185
28	27,89	65	46	325	163	362	284	155	342	268	158	350	275		
31,5	30,36	59	46	299	163	362	284	155	344	270	159	352	276		
35,5	34,92	52	46	260	156	345	270	148	327	256	151	335	263		
40	38,70	47	46	234	154	341	267	149	329	258	151	335	262		
45	44,51	40	46	204	147	326	255	141	313	246	144	319	250		
50	48,72	37	46	186	139	309	242	134	298	233	137	303	238		
56	56,04	32	46	162	133	295	232	128	284	223	131	290	227		
63	61,00	30	46	149	120	267	209	118	262	205	119	264	207		
71	70,17	26	46	129	116	256	201	113	251	197	114	254	199		
80	76,80	23	46	118	116	256	201	113	251	197	114	254	199		
90	88,34	20	46	103	116	256	201	113	251	197	114	254	199		
100	101,53	18	46	89	113	251	197	111	245	192	112	248	195		
112	115,92	16	46	78	111	245	192	109	241	189	110	243	191		
125	120,73	15	46	76	116	-	202	114	-	198	115	-	200	4	(P1) 158 - 159 (P5) 174 - 175 (P4) 186 - 187
140	138,88	13	46	66	111	-	194	109	-	189	110	-	192		
160	159,61	11,3	46	58	109	-	190	107	-	185	108	-	188		
180	176,75	10,2	46	52	103	-	180	101	-	176	103	-	178		
200	203,14	8,9	46	45	101	-	176	99	-	172	100	-	174		
224	218,94	8,2	46	42	96	-	166	93	-	162	95	-	165		
250	251,61	7,2	46	37	94	-	163	91	-	159	93	-	161		
280	281,33	6,4	46	33	93	-	161	92	-	159	92	-	161		
315	323,31	5,6	46	29	91	-	158	90	-	156	91	-	157		
355	348,46	5,2	46	26	86	-	149	85	-	147	85	-	148		
400	400,47	4,5	46	23	84	-	146	83	-	144	84	-	145		
450	457,26	3,9	46	20	82	-	142	81	-	140	82	-	142		

Notes: (*) = Consult WEG.

(-) = Not available.

When the fan is installed on the input flange, PT is derated by 20%.

Selection tables

Parallel gearboxes

W09 P - 1,800 rpm

W09 - n1 = 1,800 rpm														58.5 kNm		
iN	i _{ex}	n2 [rpm]	M2 [kNm]	P1 [kW]	PT - 20 °C [kW]									ST	Dimensions	
					Mounting position - P1			Mounting position - P5			Mounting position - P4					
					PTG	PTV	PTC	PTG	PTV	PTC	PTG	PTV	PTC			
6,3	6,23	289	48	1496	*	*	*	*	*	*	*	*	*	*	2	(P1) 154 - 155 (P5) 170 - 171 (P4) 182 - 183
7,1	7,21	250	52	1401	*	*	*	*	*	*	*	*	*	*		
8	7,74	232	55	1380	283	627	719	220	488	560	231	513	588			
9	8,96	201	58,5	1269	266	589	675	209	462	530	219	486	557			
10	9,94	181	58,5	1144	272	604	692	230	509	584	238	528	605			
11,2	11,50	157	58,5	989	256	567	650	215	475	545	223	495	567			
12,5	12,40	145	58,5	917	258	572	656	228	505	579	234	520	595			
14	14,34	126	58,5	793	243	538	617	213	472	541	220	487	558			
16	15,53	116	58,5	732	229	508	583	211	467	535	215	476	546			
18	17,96	100	58,5	633	217	481	551	198	439	504	203	449	515			
20	19,51	92	53,7	543	191	423	492	176	390	454	183	405	471	3	(P1) 156 - 157 (P5) 172 - 173 (P4) 184 - 185	
22,4	22,57	80	58,5	511	181	401	466	167	370	431	173	384	447			
25	24,33	74	58,5	474	189	419	488	176	390	453	182	403	469			
28	28,15	64	58,5	410	181	401	466	167	370	431	173	384	447			
31,5	31,26	58	58,5	369	175	388	451	166	368	428	170	377	439			
35,5	36,16	50	58,5	319	168	372	432	159	351	408	163	361	420			
40	39,17	46	58,5	294	160	355	412	152	336	391	156	345	402			
45	45,30	40	58,5	255	154	341	396	145	321	373	150	331	385			
50	48,97	37	58,5	236	145	321	373	141	311	362	143	316	368			
56	56,64	32	58,5	204	139	308	359	135	299	347	137	304	353			
63	61,35	29	58,5	188	139	308	359	135	299	347	137	304	353			
71	70,96	25	58,5	163	139	308	359	135	299	347	137	304	353			
80	80,62	22	58,5	143	137	304	353	132	293	341	135	299	347			
90	91,85	20	58,5	126	131	290	337	127	281	327	129	286	332			
100	97,91	18	58,5	120	133	-	344	130	-	334	132	-	340			
112	113,26	16	58,5	104	129	-	331	125	-	321	127	-	327			
125	128,68	14	58,5	91	127	-	327	122	-	315	125	-	322			
140	142,90	13	58,5	82	123	-	316	119	-	305	121	-	312			
160	162,36	11,1	58,5	72	121	-	311	116	-	300	119	-	307			
180	177,40	10,1	58,5	66	115	-	296	111	-	286	114	-	292			
200	201,56	8,9	58,5	58	113	-	292	109	-	280	112	-	288			
224	225,92	8,0	58,5	52	110	-	283	108	-	278	109	-	281			
250	256,69	7,0	58,5	46	108	-	278	106	-	273	107	-	276			
280	280,47	6,4	58,5	42	103	-	265	101	-	260	102	-	263			
315	318,66	5,6	58,5	37	101	-	260	99	-	255	100	-	258			
355	363,03	5,0	58,5	32	96	-	247	94	-	242	95	-	246			

Notes: (*) = Consult WEG.
 (-) = Not available.
 When the fan is installed on the input flange, PT is derated by 20%.
 1) Forced lubrication.

Selection tables

Parallel gearboxes

W10 P - 1,800 rpm

W10 - n1 = 1,800 rpm														67 kNm	
iN	i _{ex}	n2 [rpm]	M2 [kNm]	P1 [kW]	PT - 20 °C [kW]									ST	Dimensions
					Mounting position - P1			Mounting position - P5			Mounting position - P4				
					PTG	PTV	PTC	PTG	PTV	PTC	PTG	PTV	PTC		
7,1	7,03	256	55	1521	*	*	*	*	*	*	*	*	*		
8	8,10	222	60	1439	*	*	*	*	*	*	*	*	*		
9	8,72	206	62	1381	291	646	533	226	500	412	237	525	433		
10	10,06	179	67	1294	274	607	501	215	476	393	226	500	413		
11,2	11,20	161	67	1162	281	623	514	237	525	433	245	544	449		
12,5	12,92	139	67	1008	264	585	483	221	491	405	230	510	421		
14	13,97	129	67	932	267	591	488	235	521	430	242	536	442		
16	16,11	112	67	808	251	555	458	220	488	402	227	503	415		
18	17,50	103	67	744	237	525	433	217	482	398	222	492	406		
20	20,18	89	67	645	224	497	410	205	454	374	209	464	383		
22,4	21,99	82	60,5	543	196	435	364	181	401	336	188	416	348		
25	25,35	71	67	521	186	411	344	172	380	318	178	394	330		
28	27,42	66	67	482	194	430	360	181	400	335	187	414	346		
31,5	31,62	57	67	418	186	411	344	172	380	318	178	394	330		
35,5	35,22	51	67	375	180	398	333	171	378	316	175	387	324		
40	40,62	44	67	325	172	381	319	163	360	301	167	370	310		
45	44,13	41	67	299	164	364	304	156	345	289	160	355	297		
50	50,89	35	67	260	158	349	292	149	330	276	153	340	284		
56	55,17	33	67	239	149	329	275	144	320	267	147	325	272		
63	63,62	28	67	208	143	316	264	138	306	256	141	312	261		
71	69,13	26	67	191	143	316	264	138	306	256	141	312	261		
80	79,71	23	67	166	143	316	264	138	306	256	141	312	261		
90	90,56	20	67	146	141	311	260	136	301	252	138	307	256		
100	103,17	17	67	128	134	297	248	130	289	242	132	293	245		
112	110,33	16	67	122	137	-	254	133	-	246	135	-	251		
125	127,22	14	67	106	132	-	244	128	-	237	130	-	241		
140	144,54	12	67	93	130	-	241	126	-	233	128	-	238		
160	160,52	11,2	67	84	126	-	233	122	-	225	124	-	230		
180	182,38	9,9	67	74	124	-	229	119	-	221	122	-	226		
200	199,27	9,0	67	67	118	-	218	114	-	211	116	-	216		
224	226,41	8,0	67	59	116	-	215	112	-	207	115	-	212		
250	253,77	7,1	67	53	113	-	208	111	-	205	112	-	207		
280	288,33	6,2	67	47	111	-	205	109	-	201	110	-	204		
315	315,04	5,7	67	43	105	-	195	104	-	192	105	-	194		
355	357,94	5,0	67	38	104	-	192	102	-	188	103	-	191		
400	407,78	4,4	67	33	99	-	183	96	-	179	98	-	181		

Notes: (*) = Consult WEG.

(-) = Not available.

When the fan is installed on the input flange, PT is derated by 20%.

1) Forced lubrication.

Selection tables

Parallel gearboxes

W11 P - 1,800 rpm

W11 - n1 = 1,800 rpm														80 kNm		
iN	i _{ex}	n2 [rpm]	M2 [kNm]	P1 [kW]	PT - 20 °C [kW]									ST	Dimensions	
					Mounting position - P1			Mounting position - P5			Mounting position - P4					
					PTG	PTV	PTC	PTG	PTV	PTC	PTG	PTV	PTC			
6,3	6,22	290	68	2126	*	*	*	*	*	*	*	*	*	*	2	(P1) 154 - 155 (P5) 170 - 171 (P4) 182 - 183
7,1	7,19	250	71	1919	*	*	*	*	*	*	*	*	*	*		
8	7,76	232	73,4	1839	*	*	*	*	*	*	*	*	*	*		
9	8,97	201	76,5	1657	*	*	*	*	*	*	*	*	*	*		
10	9,86	183	79,4	1565	363	804	819	275	610	622	292	648	660			
11,2	11,41	158	80	1363	339	751	765	255	566	576	272	603	615			
12,5	12,55	143	80	1239	351	777	792	287	637	649	301	667	680			
14	14,52	124	80	1071	328	728	741	267	591	602	280	621	633			
16	15,36	117	80	1012	322	713	726	279	618	629	289	640	652			
18	17,77	101	80	875	303	671	684	260	577	588	271	600	611			
20	19,36	93	79	805	240	531	548	210	465	479	223	495	510	3	(P1) 156 - 157 (P5) 172 - 173 (P4) 184 - 185	
22,4	22,39	80	80	704	229	506	522	198	439	453	212	469	484			
25	24,64	73	80	640	240	531	547	210	465	480	223	495	510			
28	28,50	63	80	553	229	506	522	198	439	453	212	469	484			
31,5	31,38	57	80	503	230	510	526	208	461	476	219	485	500			
35,5	36,29	50	80	435	220	488	503	197	437	450	208	461	475			
40	38,41	47	80	411	212	469	484	191	423	436	202	446	460			
45	44,42	41	80	355	203	449	463	181	401	413	192	425	438			
50	49,46	36	80	319	186	411	424	175	388	400	181	400	413			
56	57,21	31	80	276	179	396	408	168	371	383	173	384	396			
63	60,55	30	80	261	179	396	408	168	371	383	173	384	396			
71	70,03	26	80	225	179	396	408	168	371	383	173	384	396			
80	80,39	22	80	196	170	377	388	159	352	363	165	365	377			
90	92,39	19	80	171	166	367	379	157	348	358	162	358	369			
100	96,02	19	80	167	180	-	411	170	-	387	176	-	402	4	(P1) 158 - 159 (P5) 174 - 175 (P4) 186 - 187	
112	111,06	16	80	144	173	-	396	162	-	370	169	-	385			
125	127,48	14	80	126	165	-	377	154	-	351	161	-	366			
140	139,07	13	80	115	163	-	373	152	-	348	159	-	364			
160	159,63	11,3	80	100	156	-	355	144	-	329	151	-	346			
180	175,08	10,3	80	92	149	-	340	138	-	316	145	-	331			
200	200,97	9,0	80	80	142	-	324	131	-	299	138	-	315			
224	219,24	8,2	80	73	147	-	335	141	-	322	145	-	331			
250	251,65	7,2	80	64	140	-	319	134	-	306	138	-	314			
280	276,02	6,5	80	58	134	-	305	128	-	292	132	-	301			
315	316,82	5,7	80	51	127	-	291	122	-	278	125	-	286			
355	364,11	4,9	80	44	123	-	281	117	-	268	121	-	277			

Notes: (*) = Consult WEG.
 (-) = Not available.
 When the fan is installed on the input flange, PT is derated by 20%.
 1) Forced lubrication.

Selection tables

Parallel gearboxes

W12 P - 1,800 rpm

W12 - n1 = 1,800 rpm														92 kNm		
iN	i _{ex}	n2 [rpm]	M2 [kNm]	P1 [kW]	PT - 20 °C [kW]									ST	Dimensions	
					Mounting position - P1			Mounting position - P5			Mounting position - P4					
					PTG	PTV	PTC	PTG	PTV	PTC	PTG	PTV	PTC			
7,1	7,00	257	76,6	2125	*	*	*	*	*	*	*	*	*	*	2	(P1) 154 - 155 (P5) 170 - 171 (P4) 182 - 183
8	8,08	223	79,7	1918	*	*	*	*	*	*	*	*	*	*		
9	8,74	206	82,7	1838	*	*	*	*	*	*	*	*	*	*		
10	10,08	179	86	1658	*	*	*	*	*	*	*	*	*	*		
11,2	11,11	162	89	1556	373	826	631	281	623	476	299	662	506			
12,5	12,81	140	92	1395	348	772	590	263	583	445	280	621	474			
14	14,14	127	92	1264	361	799	611	296	655	501	310	686	524			
16	16,31	110	92	1096	338	748	571	275	609	465	289	640	489			
18	17,31	104	92	1033	331	733	560	287	636	486	297	658	503			
20	19,96	90	92	896	311	690	527	268	595	454	278	617	471			
22,4	21,81	83	90	814	245	542	420	213	471	365	227	502	389	3	(P1) 156 - 157 (P5) 172 - 173 (P4) 184 - 185	
25	25,15	72	92	721	232	514	398	202	447	346	215	477	369			
28	27,76	65	92	653	243	539	417	214	473	367	227	502	389			
31,5	32,01	56	92	567	232	514	398	202	447	346	215	477	369			
35,5	35,35	51	92	513	234	518	401	212	469	364	222	492	381			
40	40,77	44	92	445	223	494	383	201	444	344	211	468	363			
45	43,27	42	92	419	215	476	369	194	430	333	205	453	351			
50	49,90	36	92	363	206	456	353	184	408	316	195	432	334			
56	55,73	32	92	325	188	417	323	178	394	306	184	406	315			
63	64,27	28	92	282	181	401	311	170	377	292	176	390	302			
71	68,22	26	92	266	181	401	311	170	377	292	176	390	302			
80	78,67	23	92	231	181	401	311	170	377	292	176	390	302			
90	90,30	20	92	201	173	382	296	162	358	277	167	371	287			
100	103,78	17	92	175	168	372	289	159	353	274	164	363	282			
112	108,19	17	92	171	183	-	314	172	-	296	178	-	306	4	(P1) 158 - 159 (P5) 174 - 175 (P4) 186 - 187	
125	124,75	14	92	148	176	-	301	165	-	282	171	-	294			
140	143,20	13	92	129	167	-	287	156	-	268	163	-	279			
160	156,21	12	92	118	166	-	284	155	-	265	162	-	277			
180	179,31	10,0	92	103	158	-	271	146	-	251	153	-	263			
200	196,67	9,2	92	94	151	-	259	140	-	241	147	-	253			
224	225,75	8,0	92	82	144	-	247	133	-	228	140	-	240			
250	246,26	7,3	92	75	149	-	255	143	-	246	147	-	252			
280	282,68	6,4	92	65	141	-	243	136	-	233	140	-	240			
315	310,04	5,8	92	59	135	-	232	130	-	223	134	-	229			
355	355,89	5,1	92	52	129	-	221	123	-	212	127	-	218			
400	409,00	4,4	92	45	125	-	214	119	-	204	123	-	211			

Notes: (*) = Consult WEG.

(-) = Not available.

When the fan is installed on the input flange, PT is derated by 20%.

1) Forced lubrication.

Selection tables

Parallel gearboxes

W13 P - 1,800 rpm

W13 - n1 = 1,800 rpm														115 kNm		
iN	i _{ex}	n2 [rpm]	M2 [kNm]	P1 [kW]	PT - 20 °C [kW]									ST	Dimensions	
					Mounting position - P1			Mounting position - P5			Mounting position - P4					
					PTG	PTV	PTC	PTG	PTV	PTC	PTG	PTV	PTC			
6,3	6,29	286	103	3184	*	*	*	*	*	*	*	*	*	*	2	(P1) 154 - 155 (P5) 170 - 171 (P4) 182 - 183
7,1	7,27	248	107	2859	*	*	*	*	*	*	*	*	*	*		
8	7,75	232	110	2759	*	*	*	*	*	*	*	*	*	*		
9	8,96	201	115	2493	*	*	*	*	*	*	*	*	*	*		
10	9,86	183	115	2266	*	*	*	*	*	*	*	*	*	*		
11,2	11,41	158	115	1959	*	*	*	*	*	*	*	*	*	*		
12,5	12,43	145	115	1798	435	964	1028	329	728	776	351	777	829			
14	14,37	125	115	1555	405	898	958	303	671	716	325	720	767			
16	15,56	116	115	1436	423	938	1000	344	762	813	362	802	855			
18	18,00	100	115	1242	396	877	935	318	705	752	336	745	794			
20	19,36	93	96	978	306	677	722	244	539	575	270	598	638	3	(P1) 156 - 157 (P5) 172 - 173 (P4) 184 - 185	
22,4	22,39	80	110	969	290	641	684	233	516	551	258	570	609			
25	24,39	74	115	930	305	675	721	252	557	594	275	608	649			
28	28,21	64	115	804	290	641	684	235	521	556	259	573	611			
31,5	31,31	57	115	724	295	654	698	255	564	602	273	606	646			
35,5	36,22	50	115	626	281	622	664	239	530	565	259	572	611			
40	39,21	46	115	578	279	619	660	239	528	564	258	572	611			
45	45,35	40	115	500	265	588	627	224	495	528	244	540	576			
50	48,92	37	115	463	247	547	583	225	498	532	236	523	559			
56	56,59	32	115	401	236	522	557	213	472	504	225	498	531			
63	61,26	29	115	370	236	522	557	213	472	504	225	498	531			
71	70,86	25	115	320	236	522	557	213	472	504	225	498	531			
80	79,84	23	115	284	225	498	532	202	448	478	214	474	506			
90	90,72	20	115	250	220	488	521	202	448	478	212	469	501			
100	98,87	18	115	233	244	-	576	220	-	520	234	-	553	4	(P1) 158 - 159 (P5) 174 - 175 (P4) 186 - 187	
112	114,36	16	115	202	234	-	552	209	-	493	223	-	528			
125	128,86	14	115	179	223	-	527	198	-	468	213	-	503			
140	142,63	13	115	162	220	-	519	195	-	462	210	-	497			
160	160,71	11,2	115	143	210	-	496	185	-	437	200	-	473			
180	178,69	10,1	115	129	200	-	472	177	-	417	191	-	452			
200	201,35	8,9	115	115	191	-	451	167	-	396	182	-	431			
224	223,41	8,1	115	103	197	-	467	185	-	438	193	-	457			
250	251,73	7,2	115	92	188	-	445	176	-	416	184	-	435			
280	279,90	6,4	115	82	179	-	424	168	-	396	175	-	415			
315	315,38	5,7	115	73	171	-	405	159	-	377	167	-	396			
355	358,33	5,0	115	64	166	-	392	153	-	363	162	-	382			

Notes: (*) = Consult WEG.

(-) = Not available.

When the fan is installed on the input flange, PT is derated by 20%.

1) Forced lubrication.

Selection tables

Parallel gearboxes

W14 P - 1,800 rpm

W14 - n1 = 1,800 rpm														132 kNm		
iN	i _{ex}	n2 [rpm]	M2 [kNm]	P1 [kW]	PT - 20 °C [kW]									ST	Dimensions	
					Mounting position - P1			Mounting position - P5			Mounting position - P4					
					PTG	PTV	PTC	PTG	PTV	PTC	PTG	PTV	PTC			
7,1	7,08	254	116	3182	*	*	*	*	*	*	*	*	*	*	2	(P1) 154 - 155 (P5) 170 - 171 (P4) 182 - 183
8	8,17	220	121	2879	*	*	*	*	*	*	*	*	*	*		
9	8,73	206	125	2782	*	*	*	*	*	*	*	*	*	*		
10	10,07	179	130	2509	*	*	*	*	*	*	*	*	*	*		
11,2	11,11	162	132	2308	*	*	*	*	*	*	*	*	*	*		
12,5	12,81	140	132	2002	*	*	*	*	*	*	*	*	*	*		
14	14,00	129	132	1832	443	982	782	335	743	592	357	792	631			
16	16,14	111	132	1589	416	922	734	311	690	549	333	739	588			
18	17,53	103	132	1463	432	956	762	351	778	620	369	818	652			
20	20,22	89	132	1269	406	900	717	327	725	578	345	765	610			
22,4	21,81	83	108	976	292	645	530	241	534	438	255	566	464	3	(P1) 156 - 157 (P5) 172 - 173 (P4) 184 - 185	
25	25,15	72	125	980	278	616	506	226	501	412	263	582	478			
28	27,48	65	132	947	292	645	530	241	534	438	249	551	452			
31,5	31,69	57	132	821	278	616	506	226	501	412	263	582	478			
35,5	35,28	51	132	738	282	625	513	244	540	443	249	551	452			
40	40,68	44	132	640	270	597	490	230	510	419	262	579	475			
45	44,18	41	132	589	267	591	485	229	506	416	249	550	452			
50	50,94	35	132	511	255	565	463	215	477	391	247	548	450			
56	55,13	33	132	472	236	522	429	215	477	392	235	519	426			
63	63,57	28	132	409	227	502	412	205	454	373	226	501	411			
71	69,03	26	132	377	227	502	412	205	454	373	216	479	393			
80	79,60	23	132	327	227	502	412	205	454	373	216	479	393			
90	89,69	20	132	290	216	478	393	195	431	354	216	479	393			
100	101,90	18	132	255	212	469	385	195	431	354	206	456	374			
112	111,40	16	132	238	233	-	423	211	-	383	224	-	407	4	(P1) 158 - 159 (P5) 174 - 175 (P4) 186 - 187	
125	128,46	14	132	206	224	-	407	201	-	365	215	-	390			
140	144,75	12	132	183	214	-	389	190	-	346	204	-	371			
160	160,22	11,2	132	165	211	-	384	188	-	342	202	-	367			
180	180,52	10,0	132	147	201	-	366	178	-	323	192	-	350			
200	200,72	9,0	132	132	192	-	349	170	-	309	184	-	334			
224	226,17	8,0	132	117	183	-	333	161	-	293	175	-	319			
250	250,96	7,2	132	105	190	-	345	178	-	324	186	-	337			
280	282,77	6,4	132	94	181	-	329	169	-	308	177	-	321			
315	314,41	5,7	132	84	172	-	313	161	-	293	169	-	306			
355	354,27	5,1	132	75	165	-	299	153	-	279	161	-	292			
400	402,51	4,5	132	66	159	-	289	148	-	268	155	-	283			

Notes: (*) = Consult WEG.
 (-) = Not available.
 When the fan is installed on the input flange, PT is derated by 20%.
 1) Forced lubrication.

Selection tables

Parallel gearboxes

W15 P - 1,800 rpm

W15 - n1 = 1,800 rpm														158 kNm		
iN	i _{ex}	n2 [rpm]	M2 [kNm]	P1 [kW]	PT - 20 °C [kW]									ST	Dimensions	
					Mounting position - P1			Mounting position - P5			Mounting position - P4					
					PTG	PTV	PTC	PTG	PTV	PTC	PTG	PTV	PTC			
6,3	6,21	290	118	3692	*	*	*	*	*	*	*	*	*	*	2	(P1) 154 - 155 (P5) 170 - 171 (P4) 182 - 183
7,1	7,25	248	130	3485	*	*	*	*	*	*	*	*	*	*		
8	8,03	224	130	3144	*	*	*	*	*	*	*	*	*	*		
9	9,38	192	134	2777	*	*	*	*	*	*	*	*	*	*		
10	9,85	183	134	2643	*	*	*	*	*	*	*	*	*	*		
11,2	11,50	157	144	2433	*	*	*	*	*	*	*	*	*	*		
12,5	12,41	145	144	2254	476	1055	1048	340	755	749	367	814	809			
14	14,49	124	154	2065	443	982	975	318	706	701	344	763	758			
16	15,53	116	154	1926	452	1001	994	358	794	788	379	840	834			
18	18,13	99	158	1693	421	933	927	332	736	731	352	781	775			
20	19,34	93	128	1305	338	748	763	276	610	622	301	665	678	3	(P1) 156 - 157 (P5) 172 - 173 (P4) 184 - 185	
22,4	22,57	80	141	1231	319	707	720	261	578	589	284	630	642			
25	24,37	74	153	1238	336	744	758	283	626	638	304	674	687			
28	28,44	63	158	1095	318	704	717	265	587	598	287	635	647			
31,5	31,29	58	158	996	324	718	732	287	635	647	303	672	684			
35,5	36,51	49	158	853	308	683	696	269	596	608	287	635	647			
40	39,14	46	158	796	299	663	675	264	585	596	281	622	634			
45	45,69	39	158	682	285	631	643	249	550	561	266	588	600			
50	48,88	37	158	637	264	584	595	246	544	554	255	564	575			
56	57,05	32	158	546	252	559	569	233	517	527	243	538	548			
63	61,16	29	158	509	252	559	569	233	517	527	243	538	548			
71	71,38	25	158	436	252	559	569	233	517	527	243	538	548			
80	80,50	22	158	387	245	543	553	226	500	510	236	522	532			
90	91,46	20	158	341	240	531	541	225	498	507	233	515	525			
100	98,71	18	158	321	258	-	581	239	-	540	250	-	565	4	(P1) 158 - 159 (P5) 174 - 175 (P4) 186 - 187	
112	115,21	16	158	275	247	-	557	228	-	513	239	-	539			
125	129,92	14	158	244	240	-	542	220	-	496	232	-	523			
140	143,68	13	158	220	233	-	526	214	-	483	226	-	510			
160	162,03	11,1	158	196	227	-	511	206	-	466	219	-	494			
180	180,01	10,0	158	176	213	-	479	194	-	438	206	-	465			
200	203,00	8,9	158	156	207	-	467	187	-	423	200	-	451			
224	225,06	8,0	158	141	210	-	474	201	-	453	207	-	467			
250	253,80	7,1	158	125	204	-	461	194	-	438	201	-	453			
280	281,97	6,4	158	112	192	-	432	182	-	411	188	-	425			
315	317,98	5,7	158	100	186	-	420	177	-	398	183	-	413			
355	361,27	5,0	158	88	181	-	408	171	-	385	177	-	400			

Notes: (*) = Consult WEG.

(-) = Not available.

When the fan is installed on the input flange, PT is derated by 20%.

1) Forced lubrication.

Selection tables

Parallel gearboxes

W16 P - 1,800 rpm

W16 - n1 = 1,800 rpm														178 kNm	
iN	i _{ex}	n2 [rpm]	M2 [kNm]	P1 [kW]	PT - 20 °C [kW]									ST	Dimensions
					Mounting position - P1			Mounting position - P5			Mounting position - P4				
					PTG	PTV	PTC	PTG	PTV	PTC	PTG	PTV	PTC		
7,1	6,95	259	132	³⁶⁹⁰	*	*	*	*	*	*	*	*	*		
8	8,09	223	146	3507	*	*	*	*	*	*	*	*	*		
9	8,99	200	146	3155	*	*	*	*	*	*	*	*	*		
10	10,46	172	150	2785	*	*	*	*	*	*	*	*	*		
11,2	11,03	163	150	2643	*	*	*	*	*	*	*	*	*		
12,5	12,83	140	162	2453	*	*	*	*	*	*	*	*	*		
14	13,90	130	162	2265	481	1066	808	344	762	578	371	822	623		
16	16,17	111	172	2067	447	992	752	322	713	540	348	770	584		
18	17,39	104	172	1922	457	1013	768	362	802	608	383	848	643		
20	20,23	89	178	1710	426	944	715	336	746	565	357	791	599		
22,4	21,65	83	140	1275	343	758	586	278	616	476	304	672	520		
25	25,19	71	158	1237	323	715	553	264	585	452	288	638	493		
28	27,28	66	172	1243	340	753	582	287	634	490	308	683	528		
31,5	31,74	57	178	1106	322	712	551	269	595	460	290	643	497		
35,5	35,02	51	178	1002	329	728	563	291	644	498	307	681	526		
40	40,75	44	178	861	312	691	534	273	604	467	290	643	497		
45	43,82	41	178	801	303	672	519	268	594	459	285	631	488		
50	50,98	35	178	688	288	638	494	252	558	431	269	596	461		
56	54,72	33	178	641	267	591	457	249	552	427	258	572	442		
63	63,67	28	178	551	257	568	439	238	526	407	247	548	423		
71	68,46	26	178	513	257	568	439	238	526	407	247	548	423		
80	79,66	23	178	441	257	568	439	238	526	407	247	548	423		
90	89,83	20	178	391	249	552	427	230	509	394	240	532	411		
100	102,07	18	178	344	243	538	416	228	504	390	236	522	403		
112	110,49	16	178	323	261	-	447	243	-	415	254	-	434		
125	128,57	14	178	278	250	-	428	230	-	394	242	-	414		
140	144,98	12	178	246	243	-	416	223	-	381	235	-	402		
160	160,34	11	178	223	236	-	404	217	-	371	229	-	391		
180	180,82	10,0	178	197	229	-	392	209	-	358	222	-	379		
200	200,88	9,0	178	178	215	-	368	197	-	337	208	-	357		
224	226,54	7,9	178	158	209	-	358	190	-	325	202	-	346		
250	251,16	7,2	178	142	213	-	364	203	-	348	209	-	358		
280	283,23	6,4	178	126	207	-	354	197	-	337	203	-	348		
315	314,66	5,7	178	113	194	-	332	185	-	316	191	-	327		
355	354,84	5,1	178	101	189	-	323	179	-	306	185	-	317		
400	403,16	4,5	178	89	183	-	313	173	-	296	180	-	308		

Notes: (*) = Consult WEG.
 (-) = Not available.
 When the fan is installed on the input flange, PT is derated by 20%.
 1) Forced lubrication.

Selection tables

Parallel gearboxes

W01 P - 1,500 rpm

W01 - n1 = 1,500 rpm														7,5 kNm	
iN	i _{ex}	n2 [rpm]	M2 [kNm]	P1 [kW]	PT - 20 °C [kW]									ST	Dimensions
					Mounting position - P1			Mounting position - P5			Mounting position - P4				
					PTG	PTV	PTC	PTG	PTV	PTC	PTG	PTV	PTC		
6,3	6,18	243	7,5	191	78	150	-	75	144	-	76	147	-	2	(P1) 154 - 155 (P5) 170 - 171 (P4) 182 - 183
7,1	7,15	210	7,5	165	73	140	-	70	135	-	71	137	-		
8	7,74	194	7,5	152	73	141	-	71	137	-	72	139	-		
9	8,95	168	7,5	132	69	133	-	67	129	-	68	131	-		
10	9,86	152	7,5	119	69	133	-	68	131	-	68	132	-		
11,2	11,41	132	7,5	103	65	125	-	63	123	-	64	124	-		
12,5	12,55	120	7,5	94	65	125	-	64	124	-	64	124	-		
14	14,52	103	7,5	81	61	118	-	60	116	-	61	117	-		
16	15,59	96	7,5	76	59	114	-	58	113	-	59	113	-		
18	18,03	83	7,5	65	56	107	-	55	106	-	55	107	-		
20	19,38	77	7,5	61	47	90	-	46	89	-	46	90	-		
22,4	22,42	67	7,5	53	44	86	-	44	85	-	44	86	-		
25	24,67	61	7,5	48	44	86	-	44	85	-	44	86	-		
28	28,53	53	7,5	41	42	82	-	42	81	-	42	82	-		
31,5	31,13	48	7,5	38	41	80	-	41	79	-	41	80	-		
35,5	36,00	42	7,5	33	40	76	-	39	76	-	39	76	-		
40	38,66	39	7,5	30	38	74	-	38	74	-	38	74	-		
45	44,72	34	7,5	26	37	71	-	36	71	-	37	71	-		
50	49,57	30	7,5	24	36	70	-	36	70	-	36	70	-		
56	57,34	26	7,5	21	35	67	-	34	67	-	35	67	-		
63	61,58	24	7,5	19	34	65	-	34	65	-	34	65	-		
71	71,23	21	7,5	17	32	62	-	32	62	-	32	62	-		
80	80,62	19	7,5	15	31	59	-	31	59	-	31	59	-		
90	91,85	16	7,5	13	29	57	-	29	56	-	29	57	-		
														3	(P1) 156 - 157 (P5) 172 - 173 (P4) 184 - 185

Notes: (*) = Consult WEG.

(-) = Not available.

When the fan is installed on the input flange, PT is derated by 20%.

Selection tables

Parallel gearboxes

W02 P - 1,500 rpm

W02 - n1 = 1,500 rpm														9,5 kNm	
iN	i _{ex}	n2 [rpm]	M2 [kNm]	P1 [kW]	PT - 20 °C [kW]									ST	Dimensions
					Mounting position - P1			Mounting position - P5			Mounting position - P4				
					PTG	PTV	PTC	PTG	PTV	PTC	PTG	PTV	PTC		
8	7,75	194	9,5	193	83	160	-	79	152	-	80	155	-	2	(P1) 154 - 155 (P5) 170 - 171 (P4) 182 - 183
9	8,91	168	9,5	167	77	149	-	74	142	-	75	145	-		
10	9,70	155	9,5	154	78	150	-	75	145	-	76	147	-		
11,2	11,16	134	9,5	134	73	141	-	70	136	-	71	138	-		
12,5	12,36	121	9,5	121	73	142	-	72	139	-	72	140	-		
14	14,22	105	9,5	105	69	133	-	67	130	-	68	131	-		
16	15,73	95	9,5	95	69	133	-	68	131	-	68	132	-		
18	18,10	83	9,5	82	64	125	-	63	123	-	64	124	-		
20	19,54	77	9,5	76	62	120	-	62	119	-	62	120	-		
22,4	22,48	67	9,5	66	59	113	-	58	112	-	58	113	-		
25	24,30	62	9,5	61	51	99	-	51	98	-	51	98	-	3	(P1) 156 - 157 (P5) 172 - 173 (P4) 184 - 185
28	27,95	54	9,5	53	49	94	-	48	93	-	48	93	-		
31,5	30,92	49	9,5	48	49	94	-	48	93	-	48	93	-		
35,5	35,57	42	9,5	42	46	90	-	46	89	-	46	89	-		
40	39,02	38	9,5	38	45	88	-	45	87	-	45	87	-		
45	44,88	33	9,5	33	43	84	-	43	83	-	43	83	-		
50	48,46	31	9,5	31	42	81	-	42	81	-	42	81	-		
56	55,75	27	9,5	27	40	78	-	40	77	-	40	77	-		
63	62,14	24	9,5	24	40	76	-	39	76	-	39	76	-		
71	71,48	21	9,5	21	38	73	-	38	73	-	38	73	-		
80	77,19	19	9,5	19	37	71	-	37	71	-	37	71	-		
90	88,79	17	9,5	17	35	68	-	35	68	-	35	68	-		
100	100,50	15	9,5	15	35	69	-	35	68	-	35	68	-		
112	114,50	13	9,5	13	32	62	-	31	60	-	32	62	-		

Notes: (*) = Consult WEG.

(-) = Not available.

When the fan is installed on the input flange, PT is derated by 20%.

Selection tables

Parallel gearboxes

W03 P - 1,500 rpm

W03 - n1 = 1,500 rpm														13 kNm	
iN	i _{ex}	n2 [rpm]	M2 [kNm]	P1 [kW]	PT - 20 °C [kW]									ST	Dimensions
					Mounting position - P1			Mounting position - P5			Mounting position - P4				
					PTG	PTV	PTC	PTG	PTV	PTC	PTG	PTV	PTC		
6,3	6,22	241	11,5	290	109	210	434	102	196	406	105	202	418	2	(P1) 154 - 155 (P5) 170 - 171 (P4) 182 - 183
7,1	7,19	209	12,0	262	101	195	404	95	183	378	98	189	390		
8	7,74	194	12,3	251	104	200	414	99	191	394	101	195	403		
9	8,95	168	12,9	226	96	186	385	92	178	367	94	182	376		
10	9,86	152	13,0	207	97	187	386	94	181	374	95	184	380		
11,2	11,41	132	13,0	179	90	174	361	87	169	349	89	172	355		
12,5	12,55	120	13,0	163	88	171	353	87	167	346	88	169	350		
14	14,52	103	13,0	141	83	160	331	81	157	324	82	159	328		
16	15,55	96	13,0	131	80	155	321	79	153	316	80	154	318		
18	17,98	83	13,0	114	76	146	302	74	144	297	75	145	300		
20	19,49	77	12,6	101	72	140	289	72	139	287	72	139	288		
22,4	22,54	67	13,0	91	68	132	273	68	131	271	68	132	272		
20	19,36	77	13,0	105	65	126	271	64	124	268	65	125	269		
22,4	22,39	67	13,0	91	62	120	258	61	118	255	62	119	257		
25	24,64	61	13,0	83	61	118	254	60	116	251	61	117	253		
28	28,50	53	13,0	72	58	112	242	57	111	239	58	111	241		
31,5	31,10	48	13,0	66	57	110	238	57	109	236	57	110	237		
35,5	35,98	42	13,0	57	55	105	228	54	104	225	54	105	227		
40	38,53	39	13,0	53	53	103	221	53	102	219	53	102	221		
45	44,56	34	13,0	46	51	98	212	50	97	209	51	98	211		
50	49,50	30	13,0	41	50	96	207	49	95	206	50	96	207		
56	57,26	26	13,0	36	48	92	198	47	91	197	47	92	198		
63	61,32	24	13,0	33	46	89	193	46	89	192	46	89	193		
71	70,93	21	13,0	29	44	86	185	44	85	184	44	86	185		
80	80,98	19	13,0	25	44	85	183	44	84	182	44	85	183		
90	91,90	16	13,0	22	43	84	181	43	83	180	43	84	180		
100	97,09	15	13,0	21	44	-	183	44	-	182	44	-	183		
112	112,30	13,4	13,0	18	42	-	175	42	-	174	42	-	175		
125	128,22	11,7	13,0	16	42	-	174	41	-	172	41	-	173		
140	143,49	10,5	13,0	14	40	-	167	40	-	166	40	-	167		
160	163,84	9,2	13,0	12	40	-	165	39	-	164	39	-	164		
180	178,74	8,4	13,0	11	37	-	153	36	-	151	36	-	152		
200	204,08	7,4	13,0	10	36	-	151	36	-	149	36	-	150		
224	225,06	6,7	13,0	9	36	-	150	36	-	150	36	-	150		
250	256,97	5,8	13,0	8	36	-	148	35	-	148	35	-	148		
280	280,33	5,4	13,0	7	33	-	137	33	-	136	33	-	137		
315	320,08	4,7	13,0	6	32	-	135	32	-	134	32	-	135		
355	363,23	4,1	13,0	6	32	-	133	32	-	132	32	-	132		

Notes: (*) = Consult WEG.

(-) = Not available.

When the fan is installed on the input flange, PT is derated by 20%.

Selection tables

Parallel gearboxes

W04 P - 1,500 rpm

W04 - n1 = 1500 rpm														16,5 kNm	
iN	i _{ex}	n2 [rpm]	M2 [kNm]	P1 [kW]	PT - 20 °C [kW]									ST	Dimensions
					Mounting position - P1			Mounting position - P5			Mounting position - P4				
					PTG	PTV	PTC	PTG	PTV	PTC	PTG	PTV	PTC		
8	7,79	193	14,4	290	122	235	451	113	219	420	117	226	433	2	(P1) 154 - 155 (P5) 170 - 171 (P4) 182 - 183
9	8,96	167	15,0	262	113	218	419	105	204	391	109	210	404		
10	9,70	155	15,5	251	116	224	431	110	213	409	113	218	419		
11,2	11,16	134	16,1	226	108	208	400	103	198	380	105	203	390		
12,5	12,36	121	16,5	210	108	209	402	105	202	388	106	206	395		
14	14,22	105	16,5	182	101	195	374	98	189	362	99	192	368		
16	15,73	95	16,5	165	99	191	367	97	187	359	98	189	364		
18	18,10	83	16,5	143	93	179	344	91	175	336	92	177	340		
20	19,49	77	16,5	133	90	174	333	88	171	328	89	172	331		
22,4	22,42	67	16,5	116	84	163	313	83	161	308	84	162	311		
25	24,26	62	16,5	107	70	136	279	69	134	275	70	135	277	3	(P1) 156 - 157 (P5) 172 - 173 (P4) 184 - 185
28	27,91	54	16,5	93	67	129	265	66	127	261	66	128	263		
31,5	30,88	49	16,5	84	66	127	261	65	125	257	65	126	259		
35,5	35,52	42	16,5	73	63	121	248	62	119	245	62	120	247		
40	38,99	38	16,5	66	62	119	245	61	118	242	61	119	244		
45	44,85	33	16,5	58	59	114	233	58	112	231	58	113	232		
50	48,29	31	16,5	54	57	111	227	57	110	225	57	110	226		
56	55,55	27	16,5	47	55	106	217	54	104	214	54	105	216		
63	62,06	24	16,5	42	54	103	212	53	103	211	53	103	212		
71	71,38	21	16,5	36	51	99	203	51	98	202	51	99	203		
80	76,87	20	16,5	34	50	96	198	50	96	197	50	96	198		
90	88,42	17	16,5	29	48	92	189	47	92	188	48	92	189		
100	100,95	15	16,5	26	47	91	187	47	91	186	47	91	187		
112	114,56	13	16,5	23	47	90	185	46	90	184	47	90	185		
125	121,70	12,3	16,5	21	47	-	119	47	-	118	47	-	119	4	(P1) 158 - 159 (P5) 174 - 175 (P4) 186 - 187
140	139,99	10,7	16,5	19	45	-	114	45	-	113	45	-	113		
160	159,84	9,4	16,5	16	45	-	113	44	-	112	45	-	112		
180	178,88	8,4	16,5	14	43	-	108	43	-	108	43	-	108		
200	204,24	7,3	16,5	13	43	-	107	42	-	106	42	-	107		
224	222,81	6,7	16,5	12	39	-	99	39	-	98	39	-	98		
250	254,40	5,9	16,5	10	39	-	98	39	-	97	39	-	97		
280	280,55	5,3	16,5	9	39	-	97	39	-	97	39	-	97		
315	320,33	4,7	16,5	8	38	-	96	38	-	96	38	-	96		
355	349,46	4,3	16,5	7	35	-	89	35	-	88	35	-	88		
400	399,01	3,8	16,5	6	35	-	87	35	-	87	35	-	87		
450	452,79	3,3	16,5	6	34	-	86	34	-	86	34	-	86		

Notes: (*) = Consult WEG.

(-) = Not available.

When the fan is installed on the input flange, PT is derated by 20%.

Selection tables

Parallel gearboxes

W05 P - 1,500 rpm

W05 - n1 = 1,500 rpm														22 kNm	
iN	i _{ex}	n2 [rpm]	M2 [kNm]	P1 [kW]	PT - 20 °C [kW]									ST	Dimensions
					Mounting position - P1			Mounting position - P5			Mounting position - P4				
					PTG	PTV	PTC	PTG	PTV	PTC	PTG	PTV	PTC		
6,3	6,23	241	19,3	499	172	332	527	151	292	464	155	300	476	2	(P1) 154 - 155 (P5) 170 - 171 (P4) 182 - 183
7,1	7,21	208	20,5	459	160	310	492	142	274	436	146	281	447		
8	7,74	194	20,5	427	161	311	496	147	284	454	150	290	463		
9	8,96	167	22	397	151	292	464	139	268	426	141	273	434		
10	9,95	151	22	358	145	280	445	137	265	421	139	268	427		
11,2	11,51	130	22	310	136	263	418	129	249	395	130	252	401		
12,5	12,55	120	22	284	139	268	425	134	258	410	135	260	413		
14	14,52	103	22	246	131	252	401	126	243	386	127	245	389		
16	15,58	96	22	230	128	248	394	125	242	384	126	243	386		
18	18,02	83	22	199	121	234	372	118	228	362	119	230	365		
20	19,51	77	19	158	98	190	301	96	186	295	97	188	298	3	(P1) 156 - 157 (P5) 172 - 173 (P4) 184 - 185
22,4	22,57	66	22	159	94	182	288	92	178	282	93	180	285		
25	24,62	61	22	146	98	190	301	96	186	295	97	188	298		
28	28,48	53	22	126	94	182	288	92	178	282	93	180	285		
31,5	31,38	48	22	114	93	180	285	92	177	281	92	178	283		
35,5	36,29	41	22	99	89	172	273	88	169	269	88	171	271		
40	38,95	39	22	92	88	170	270	87	167	266	87	169	268		
45	45,05	33	22	80	84	163	258	83	160	254	83	161	256		
50	49,60	30	22	73	81	156	248	80	155	246	81	156	247		
56	57,38	26	22	63	74	142	226	73	141	224	73	142	225		
63	61,58	24	22	59	74	142	226	73	141	224	73	142	225		
71	71,23	21	22	51	74	142	226	73	141	224	73	142	225		
80	81,15	18	22	45	74	142	226	73	141	224	73	142	225		
90	91,85	16	22	48	67	129	205	66	128	204	67	129	205		
100	100,89	15	22	36	73	-	224	72	-	222	73	-	223	4	(P1) 158 - 159 (P5) 174 - 175 (P4) 186 - 187
112	111,74	13	22	33	70	-	215	69	-	212	70	-	214		
125	127,29	12	22	29	67	-	204	66	-	202	66	-	204		
140	142,21	11	22	26	66	-	202	65	-	200	66	-	201		
160	162,01	9,3	22	23	63	-	192	62	-	190	62	-	192		
180	176,65	8,5	22	21	61	-	187	60	-	185	61	-	186		
200	201,25	7,5	22	19	58	-	178	57	-	176	58	-	178		
224	226,50	6,6	22	16	59	-	181	59	-	180	59	-	180		
250	258,04	5,8	22	14	56	-	172	56	-	171	56	-	172		
280	281,36	5,3	22	13	54	-	167	54	-	166	54	-	167		
315	320,53	4,7	22	12	52	-	159	52	-	158	52	-	159		
355	362,81	4,1	22	10	49	-	152	49	-	151	49	-	151		

Notes: (*) = Consult WEG.

(-) = Not available.

When the fan is installed on the input flange, PT is derated by 20%.

Selection tables

Parallel gearboxes

W06 P - 1,500 rpm

W06 - n1 = 1,500 rpm														28 kNm	
iN	i _{ex}	n2 [rpm]	M2 [kNm]	P1 [kW]	PT - 20 °C [kW]									ST	Dimensions
					Mounting position - P1			Mounting position - P5			Mounting position - P4				
					PTG	PTV	PTC	PTG	PTV	PTC	PTG	PTV	PTC		
8	7,82	192	25	518	192	371	373	169	327	329	173	334	336	2	(P1) 154 - 155 (P5) 170 - 171 (P4) 182 - 183
9	8,99	167	27	486	179	345	347	159	308	309	163	315	317		
10	9,71	155	28	467	181	349	351	166	321	323	169	326	328		
11,2	11,16	134	28	406	169	326	328	156	301	302	158	306	308		
12,5	12,47	120	28	364	162	314	316	154	297	299	156	301	303		
14	14,34	105	28	316	153	295	297	145	279	281	146	283	285		
16	15,73	95	28	288	156	301	303	150	290	292	151	293	294		
18	18,10	83	28	251	147	283	285	141	273	274	142	275	277		
20	19,53	77	28	232	144	279	281	141	272	274	142	274	275		
22,4	22,47	67	28	202	136	263	265	133	256	258	133	258	259		
25	24,46	61	24	161	107	207	213	105	202	208	106	204	210	3	(P1) 156 - 157 (P5) 172 - 173 (P4) 184 - 185
28	28,13	53	28	164	101	194	200	98	190	196	99	192	198		
31,5	30,86	49	28	149	105	203	209	103	199	205	104	201	207		
35,5	35,50	42	28	130	101	194	200	98	190	196	99	192	198		
40	39,33	38	28	117	100	193	198	98	190	195	99	191	197		
45	45,24	33	28	102	95	184	189	94	181	187	94	183	188		
50	48,83	31	28	94	94	182	187	93	179	185	94	181	186		
56	56,16	27	28	82	90	174	179	89	171	176	89	173	178		
63	62,18	24	28	74	82	159	163	82	158	162	82	158	163		
71	71,52	21	28	64	79	152	157	78	151	155	78	151	156		
80	77,19	19	28	60	79	152	157	78	151	155	78	151	156		
90	88,79	17	28	52	79	152	157	78	151	155	78	151	156		
100	101,16	15	28	45	75	145	149	74	144	148	75	144	149		
112	114,50	13	28	48	72	138	142	71	137	142	71	138	142		
125	125,76	12	28	37	78	-	155	77	-	154	78	-	155	4	(P1) 158 - 159 (P5) 174 - 175 (P4) 186 - 187
140	139,29	11	28	34	75	-	149	74	-	147	74	-	148		
160	158,68	9	28	29	71	-	142	71	-	140	71	-	141		
180	177,27	8	28	26	70	-	140	70	-	139	70	-	140		
200	201,96	7,4	28	23	67	-	133	66	-	132	67	-	133		
224	220,21	6,8	28	21	65	-	130	64	-	128	65	-	129		
250	250,87	6,0	28	19	62	-	124	61	-	122	62	-	123		
280	282,35	5,3	28	17	63	-	125	63	-	125	63	-	125		
315	321,67	4,7	28	15	60	-	119	60	-	119	60	-	119		
355	350,73	4,3	28	13	58	-	116	58	-	115	58	-	116		
400	399,57	3,8	28	12	55	-	110	55	-	110	55	-	110		
450	452,27	3,3	28	10	53	-	105	53	-	105	53	-	105		

Notes: (*) = Consult WEG.

(-) = Not available.

When the fan is installed on the input flange, PT is derated by 20%.

Selection tables

Parallel gearboxes

W07 P - 1,500 rpm

W07 - n1 = 1500 rpm														36 kNm	
iN	i _{ex}	n2 [rpm]	M2 [kNm]	P1 [kW]	PT - 20 °C [kW]									ST	Dimensions
					Mounting position - P1			Mounting position - P5			Mounting position - P4				
					PTG	PTV	PTC	PTG	PTV	PTC	PTG	PTV	PTC		
6,3	6,26	240	31	802	265	513	636	219	422	524	227	439	544	2	(P1) 154 - 155 (P5) 170 - 171 (P4) 182 - 183
7,1	7,24	207	35	783	248	479	595	207	400	496	215	415	515		
8	7,74	194	36	753	251	484	601	220	426	528	226	437	542		
9	8,96	167	36	651	235	454	563	206	399	495	212	410	509		
10	9,86	152	36	591	238	460	570	217	420	521	222	429	532		
11,2	11,41	132	36	511	223	432	536	203	393	488	208	402	499		
12,5	12,35	121	36	472	224	432	536	210	406	504	213	412	511		
14	14,28	105	36	408	210	407	504	197	381	472	200	387	480		
16	15,55	96	36	375	197	381	472	189	365	453	191	369	457		
18	17,98	83	36	324	186	360	447	178	345	427	180	349	432		
20	19,34	78	33,5	285	155	300	380	150	289	366	152	294	373	3	(P1) 156 - 157 (P5) 172 - 173 (P4) 184 - 185
22,4	22,37	67	36	264	147	285	361	142	274	347	145	279	354		
25	24,22	62	36	244	154	298	377	149	288	365	151	293	370		
28	28,02	54	36	211	147	285	361	142	274	347	145	279	354		
31,5	30,87	49	36	192	145	280	355	142	274	346	143	277	350		
35,5	35,71	42	36	166	139	269	340	135	261	331	137	265	335		
40	38,86	39	36	152	131	254	322	128	248	314	130	251	318		
45	44,95	33	36	132	126	244	309	123	237	300	124	241	305		
50	48,66	31	36	122	113	219	277	112	216	274	113	218	275		
56	56,29	27	36	105	109	211	267	108	208	263	108	209	265		
63	61,27	24	36	97	109	211	267	108	208	263	108	209	265		
71	70,87	21	36	83	109	211	267	108	208	263	108	209	265		
80	81,45	18	36	73	107	207	262	105	204	258	106	205	260		
90	92,99	16	36	64	105	202	256	103	200	253	104	201	255		
100	96,32	16	36	62	109	-	267	108	-	263	108	-	265	4	(P1) 158 - 159 (P5) 174 - 175 (P4) 186 - 187
112	111,41	13	36	54	105	-	257	103	-	253	104	-	255		
125	128,04	12	36	47	103	-	252	101	-	247	102	-	250		
140	141,79	11	36	42	97	-	238	96	-	234	97	-	237		
160	162,95	9,2	36	37	96	-	234	94	-	229	95	-	232		
180	175,63	8,5	36	34	90	-	220	89	-	217	90	-	219		
200	201,84	7,4	36	30	88	-	216	87	-	212	88	-	215		
224	225,68	6,6	36	27	87	-	214	87	-	212	87	-	213		
250	259,36	5,8	36	23	86	-	210	85	-	208	85	-	209		
280	279,54	5,4	36	22	81	-	198	80	-	196	81	-	197		
315	321,26	4,7	36	19	79	-	194	79	-	192	79	-	193		
355	366,81	4,1	36	16	77	-	189	77	-	187	77	-	189		

Notes: (*) = Consult WEG.

(-) = Not available.

When the fan is installed on the input flange, PT is derated by 20%.

Selection tables

Parallel gearboxes

W08 P - 1,500 rpm

W08 - n1 = 1500 rpm														46 kNm	
iN	i _{ex}	n2 [rpm]	M2 [kNm]	P1 [kW]	PT - 20 °C [kW]									ST	Dimensions
					Mounting position - P1			Mounting position - P5			Mounting position - P4				
					PTG	PTV	PTC	PTG	PTV	PTC	PTG	PTV	PTC		
8	7,84	191	39	805	277	535	472	226	436	385	234	452	400	2	(P1) 154 - 155 (P5) 170 - 171 (P4) 182 - 183
9	9,02	166	44	790	259	500	442	215	415	366	223	430	380		
10	9,71	155	46	767	263	507	448	229	443	391	236	455	402		
11,2	11,16	134	46	667	246	475	419	215	416	368	221	428	378		
12,5	12,36	121	46	603	249	482	426	227	440	388	232	448	396		
14	14,22	105	46	524	234	452	399	213	411	363	217	420	371		
16	15,48	97	46	481	235	454	401	220	426	376	223	432	382		
18	17,80	84	46	418	220	426	376	206	399	352	210	405	358		
20	19,49	77	46	382	207	400	353	198	383	338	200	387	342		
22,4	22,42	67	46	332	195	378	334	187	361	319	189	365	323		
25	24,25	62	42	285	163	314	282	156	302	272	159	308	276	3	(P1) 156 - 157 (P5) 172 - 173 (P4) 184 - 185
28	27,89	54	46	271	161	311	280	155	300	269	157	304	273		
31,5	30,36	49	46	249	161	311	280	156	301	270	158	305	274		
35,5	34,92	43	46	216	154	297	267	148	286	257	151	291	261		
40	38,70	39	46	195	151	293	263	148	286	257	149	289	260		
45	44,51	34	46	170	145	280	251	141	272	245	143	276	248		
50	48,72	31	46	155	137	265	238	134	259	232	136	262	235		
56	56,04	27	46	135	131	254	228	128	247	222	130	251	225		
63	61,00	25	46	124	118	228	205	117	225	203	117	227	204		
71	70,17	21	46	108	114	220	197	112	216	195	113	218	196		
80	76,80	20	46	98	114	220	197	112	216	195	113	218	196		
90	88,34	17	46	86	114	220	197	112	216	195	113	218	196		
100	101,53	15	46	74	111	215	194	110	212	191	111	214	192		
112	115,92	13	46	65	109	211	189	108	208	187	108	210	188		
125	120,73	12	46	64	114	-	198	112	-	195	113	-	197	4	(P1) 158 - 159 (P5) 174 - 175 (P4) 186 - 187
140	138,88	11	46	55	109	-	190	108	-	187	109	-	189		
160	159,61	9	46	48	107	-	186	105	-	183	106	-	185		
180	176,75	8	46	43	101	-	176	100	-	173	101	-	175		
200	203,14	7,4	46	38	99	-	173	98	-	170	99	-	172		
224	218,94	6,9	46	35	94	-	163	92	-	160	93	-	162		
250	251,61	6,0	46	31	92	-	160	90	-	157	92	-	159		
280	281,33	5,3	46	27	91	-	158	90	-	157	91	-	158		
315	323,31	4,6	46	24	89	-	155	89	-	154	89	-	155		
355	348,46	4,3	46	22	84	-	146	84	-	145	84	-	146		
400	400,47	3,7	46	19	83	-	144	82	-	142	82	-	143		
450	457,26	3,3	46	17	81	-	140	80	-	139	80	-	140		

Notes: (*) = Consult WEG.

(-) = Not available.

When the fan is installed on the input flange, PT is derated by 20%.

Selection tables

Parallel gearboxes

W09 P - 1,500 rpm

W09 - n1 = 1500 rpm														58.5 kNm	
iN	i _{ex}	n2 [rpm]	M2 [kNm]	P1 [kW]	PT - 20 °C [kW]									ST	Dimensions
					Mounting position - P1			Mounting position - P5			Mounting position - P4				
					PTG	PTV	PTC	PTG	PTV	PTC	PTG	PTV	PTC		
6,3	6,23	241	48	1247	300	580	762	229	443	583	241	465	611	2	(P1) 154 - 155 (P5) 170 - 171 (P4) 182 - 183
7,1	7,21	208	52	1168	282	545	716	219	423	556	230	444	584		
8	7,74	194	55	1150	287	555	730	239	463	608	248	480	631		
9	8,96	167	58,5	1058	269	520	684	226	436	573	234	453	595		
10	9,94	151	58,5	953	274	529	695	242	468	615	249	481	632		
11,2	11,50	130	58,5	824	257	497	653	227	438	576	233	451	592		
12,5	12,40	121	58,5	764	258	499	655	236	456	600	241	466	612		
14	14,34	105	58,5	661	243	469	617	221	428	562	226	437	575		
16	15,53	97	58,5	610	228	440	579	215	415	545	218	421	553		
18	17,96	83	58,5	527	216	417	548	203	391	514	206	398	523		
20	19,51	77	56,5	476	189	365	487	179	346	461	183	355	472	3	(P1) 156 - 157 (P5) 172 - 173 (P4) 184 - 185
22,4	22,57	66	58,5	426	179	346	461	170	328	436	174	336	448		
25	24,33	62	58,5	395	187	362	482	178	344	458	182	352	469		
28	28,15	53	58,5	341	179	346	461	170	328	436	174	336	448		
31,5	31,26	48	58,5	307	172	333	444	166	321	428	169	327	436		
35,5	36,16	41	58,5	266	166	320	426	159	307	410	162	313	418		
40	39,17	38	58,5	245	158	305	406	152	294	392	155	300	399		
45	45,30	33	58,5	212	152	293	391	146	282	375	149	288	383		
50	48,97	31	58,5	196	142	275	366	140	270	359	141	273	363		
56	56,64	26	58,5	170	137	265	353	134	259	345	136	262	349		
63	61,35	24	58,5	157	137	265	353	134	259	345	136	262	349		
71	70,96	21	58,5	135	137	265	353	134	259	345	136	262	349		
80	80,62	19	58,5	119	135	261	348	132	255	339	134	258	344		
90	91,85	16	58,5	105	129	249	331	126	244	325	128	247	329		
100	97,91	15	58,5	100	131	-	336	128	-	330	130	-	334	4	(P1) 158 - 159 (P5) 174 - 175 (P4) 186 - 187
112	113,26	13	58,5	86	126	-	324	123	-	317	125	-	321		
125	128,68	12	58,5	76	124	-	320	121	-	312	123	-	317		
140	142,90	10	58,5	68	120	-	310	117	-	302	119	-	307		
160	162,36	9,2	58,5	60	119	-	305	116	-	297	117	-	302		
180	177,40	8,5	58,5	55	113	-	290	110	-	283	112	-	288		
200	201,56	7,4	58,5	48	111	-	286	108	-	278	110	-	284		
224	225,92	6,6	58,5	43	108	-	277	106	-	274	107	-	276		
250	256,69	5,8	58,5	38	106	-	273	105	-	270	106	-	272		
280	280,47	5,3	58,5	35	101	-	260	100	-	257	101	-	259		
315	318,66	4,7	58,5	31	99	-	256	98	-	252	99	-	255		
355	363,03	4,1	58,5	27	95	-	243	93	-	240	94	-	242		

Notes: (*) = Consult WEG.

(-) = Not available.

When the fan is installed on the input flange, PT is derated by 20%.

Selection tables

Parallel gearboxes

W10 P - 1,500 rpm

W10 - n1 = 1500 rpm														67 kNm	
iN	i _{ex}	n2 [rpm]	M2 [kNm]	P1 [kW]	PT - 20 °C [kW]									ST	Dimensions
					Mounting position - P1			Mounting position - P5			Mounting position - P4				
					PTG	PTV	PTC	PTG	PTV	PTC	PTG	PTV	PTC		
7,1	7,03	214	55	1268	308	596	564	235	454	430	246	476	451	2	(P1) 154 - 155 (P5) 170 - 171 (P4) 182 - 183
8	8,10	185	60	1199	290	561	530	225	436	412	236	457	432		
9	8,72	172	64	1188	296	573	542	246	475	449	255	493	466		
10	10,06	149	67	1078	278	536	507	233	450	425	241	466	441		
11,2	11,20	134	67	969	283	546	517	250	483	457	256	496	469		
12,5	12,92	116	67	840	265	513	485	234	452	428	241	465	440		
14	13,97	107	67	777	267	515	487	244	471	446	249	481	455		
16	16,11	93	67	674	251	484	458	229	442	418	234	451	427		
18	17,50	86	67	620	235	455	431	222	429	405	225	435	411		
20	20,18	74	67	538	223	431	407	209	404	382	212	411	388		
22,4	21,99	68	63,5	475	195	376	360	184	355	341	189	365	349	3	(P1) 156 - 157 (P5) 172 - 173 (P4) 184 - 185
25	25,35	59	67	434	184	355	340	174	336	322	178	345	330		
28	27,42	55	67	401	192	371	356	183	353	338	187	361	346		
31,5	31,62	47	67	348	184	355	340	174	336	322	178	345	330		
35,5	35,22	43	67	313	177	342	328	171	330	316	174	336	322		
40	40,62	37	67	271	170	328	314	163	315	302	166	321	308		
45	44,13	34	67	249	162	313	300	156	302	289	159	307	295		
50	50,89	29	67	216	156	301	288	149	289	277	153	295	283		
56	55,17	27	67	200	146	282	270	143	277	265	145	280	268		
63	63,62	24	67	173	140	271	260	137	266	255	139	269	257		
71	69,13	22	67	159	140	271	260	137	266	255	139	269	257		
80	79,71	19	67	138	140	271	260	137	266	255	139	269	257		
90	90,56	17	67	122	138	268	256	135	261	250	137	265	254		
100	103,17	15	67	107	132	255	244	130	250	240	131	253	242		
112	110,33	14	67	101	134	-	248	131	-	243	133	-	246	4	(P1) 158 - 159 (P5) 174 - 175 (P4) 186 - 187
125	127,22	12	67	88	129	-	239	126	-	234	128	-	237		
140	144,54	10	67	77	127	-	236	124	-	230	126	-	234		
160	160,52	9	67	70	123	-	228	120	-	223	122	-	226		
180	182,38	8,2	67	61	122	-	225	118	-	219	120	-	223		
200	199,27	7,5	67	56	116	-	214	113	-	209	115	-	212		
224	226,41	6,6	67	49	114	-	211	111	-	205	113	-	209		
250	253,77	5,9	67	44	110	-	204	109	-	202	110	-	204		
280	288,33	5,2	67	39	109	-	201	107	-	199	108	-	201		
315	315,04	4,8	67	36	104	-	192	102	-	189	103	-	191		
355	357,94	4,2	67	31	102	-	189	101	-	186	101	-	188		
400	407,78	3,7	67	27	97	-	180	96	-	177	97	-	179		

Notes: (*) = Consult WEG.

(-) = Not available.

When the fan is installed on the input flange, PT is derated by 20%.

Selection tables

Parallel gearboxes

W11 P - 1,500 rpm

W11 - n1 = 1500 rpm														80 kNm		
iN	i _{ex}	n2 [rpm]	M2 [kNm]	P1 [kW]	PT - 20 °C [kW]									ST	Dimensions	
					Mounting position - P1			Mounting position - P5			Mounting position - P4					
					PTG	PTV	PTC	PTG	PTV	PTC	PTG	PTV	PTC			
6,3	6,22	241	71,5	1863	*	*	*	*	*	*	*	*	*	*	2	(P1) 154 - 155 (P5) 170 - 171 (P4) 182 - 183
7,1	7,19	209	74,5	1678	*	*	*	*	*	*	*	*	*	*		
8	7,76	193	77,5	1618	382	738	863	288	556	649	305	589	688			
9	8,97	167	80	1444	358	691	807	270	522	609	287	554	647			
10	9,86	152	80	1314	371	718	839	303	585	684	317	613	716			
11,2	11,41	132	80	1136	347	671	784	282	544	636	296	572	668			
12,5	12,55	120	80	1032	355	685	801	307	593	693	318	614	718			
14	14,52	103	80	892	333	643	751	286	553	646	297	574	670			
16	15,36	98	80	843	322	623	728	291	562	657	299	577	674			
18	17,77	84	80	729	304	588	687	273	528	616	281	542	634			
20	19,36	77	79	671	239	463	546	218	421	497	228	440	520	3	(P1) 156 - 157 (P5) 172 - 173 (P4) 184 - 185	
22,4	22,39	67	80	587	229	442	522	207	399	472	217	419	495			
25	24,64	61	80	534	239	462	546	218	421	497	228	440	520			
28	28,50	53	80	461	229	442	522	207	399	472	217	419	495			
31,5	31,38	48	80	419	229	442	522	213	412	487	221	427	504			
35,5	36,29	41	80	362	219	423	500	203	392	463	211	407	481			
40	38,41	39	80	342	211	407	481	196	378	447	203	393	464			
45	44,42	34	80	296	202	390	461	186	360	426	194	375	444			
50	49,46	30	80	266	183	354	419	176	341	402	180	348	411			
56	57,21	26	80	230	177	341	403	169	327	386	173	334	395			
63	60,55	25	80	217	177	341	403	169	327	386	173	334	395			
71	70,03	21	80	188	177	341	403	169	327	386	173	334	395			
80	80,39	19	80	164	168	325	384	161	311	367	165	319	376			
90	92,39	16	80	142	164	317	374	158	305	360	161	311	368			
100	96,02	16	80	139	177	-	403	169	-	387	174	-	396			
112	111,06	14	80	120	170	-	388	162	-	371	167	-	381			
125	127,48	12	80	105	162	-	370	154	-	352	159	-	363			
140	139,07	11	80	96	160	-	366	153	-	349	158	-	360			
160	159,63	9,4	80	84	153	-	349	145	-	331	150	-	342			
180	175,08	8,6	80	76	146	-	334	139	-	317	144	-	328			
200	200,97	7,5	80	67	139	-	318	132	-	301	137	-	312			
224	219,24	6,8	80	61	144	-	329	140	-	320	143	-	326			
250	251,65	6,0	80	53	137	-	313	133	-	304	136	-	310			
280	276,02	5,4	80	48	131	-	300	128	-	291	130	-	297			
315	316,82	4,7	80	42	125	-	286	121	-	277	124	-	283			
355	364,11	4,1	80	37	121	-	277	117	-	268	120	-	274			

Notes: (*) = Consult WEG.
 (-) = Not available.
 When the fan is installed on the input flange, PT is derated by 20%.
 1) Forced lubrication.

Selection tables

Parallel gearboxes

W12 P - 1,500 rpm

W12 - n1 = 1500 rpm														92 kNm	
iN	i _{ex}	n2 [rpm]	M2 [kNm]	P1 [kW]	PT - 20 °C [kW]									ST	Dimensions
					Mounting position - P1			Mounting position - P5			Mounting position - P4				
					PTG	PTV	PTC	PTG	PTV	PTC	PTG	PTV	PTC		
7,1	7,00	214	80,5	1861	*	*	*	*	*	*	*	*	*	*	
8	8,08	186	84	1684	*	*	*	*	*	*	*	*	*	*	
9	8,74	172	87	1612	392	757	663	294	567	497	311	601	526		
10	10,08	149	90	1446	367	709	621	276	533	467	293	567	496		
11,2	11,11	135	92	1341	382	738	647	310	600	525	325	628	550		
12,5	12,81	117	92	1163	357	690	604	290	561	491	304	588	515		
14	14,14	106	92	1053	365	705	618	316	611	535	327	632	553		
16	16,31	92	92	914	342	661	579	295	569	499	305	590	517		
18	17,31	87	92	861	332	641	561	300	579	507	307	594	520		
20	19,96	75	92	746	313	604	529	281	543	476	289	558	489		
22,4	21,81	69	90	678	244	472	419	221	428	380	232	448	398		
25	25,15	60	92	601	232	448	398	210	406	360	220	425	377		
28	27,76	54	92	545	243	469	416	221	428	380	231	446	396		
31,5	32,01	47	92	472	232	448	398	210	406	360	220	425	377		
35,5	35,35	42	92	428	232	449	398	217	419	372	224	433	384		
40	40,77	37	92	371	222	429	381	206	398	353	214	413	367		
45	43,27	35	92	349	214	413	367	199	384	341	206	399	354		
50	49,90	30	92	303	205	396	351	189	366	325	197	381	338		
56	55,73	27	92	271	186	359	319	179	346	307	183	353	313		
63	64,27	23	92	235	179	346	307	171	331	294	175	339	301		
71	68,22	22	92	222	179	346	307	171	331	294	175	339	301		
80	78,67	19	92	192	179	346	307	171	331	294	175	339	301		
90	90,30	17	92	167	171	330	293	163	315	280	167	323	287		
100	103,78	14	92	146	166	321	285	160	309	275	163	316	280		
112	108,19	14	92	142	179	-	307	172	-	295	176	-	302		
125	124,75	12	92	123	172	-	296	165	-	283	169	-	290		
140	143,20	10	92	107	164	-	282	156	-	268	161	-	276		
160	156,21	10	92	98	162	-	279	155	-	266	160	-	274		
180	179,31	8,4	92	86	155	-	266	147	-	252	152	-	261		
200	196,67	7,6	92	78	148	-	254	141	-	242	146	-	250		
224	225,75	6,6	92	68	141	-	243	134	-	230	139	-	238		
250	246,26	6,1	92	62	146	-	250	142	-	244	145	-	248		
280	282,68	5,3	92	54	139	-	239	135	-	232	138	-	236		
315	310,04	4,8	92	50	133	-	228	129	-	222	132	-	226		
355	355,89	4,2	92	43	127	-	218	123	-	211	126	-	216		
400	409,00	3,7	92	38	123	-	211	119	-	204	122	-	209		

Notes: (*) = Consult WEG.

(-) = Not available.

When the fan is installed on the input flange, PT is derated by 20%.

1) Forced lubrication.

Selection tables

Parallel gearboxes

W13 P - 1,500 rpm

W13 - n1 = 1500 rpm														115 kNm		
iN	i _{ex}	n2 [rpm]	M2 [kNm]	P1 [kW]	PT - 20 °C [kW]									ST	Dimensions	
					Mounting position - P1			Mounting position - P5			Mounting position - P4					
					PTG	PTV	PTC	PTG	PTV	PTC	PTG	PTV	PTC			
6,3	6,29	239	103	2653	*	*	*	*	*	*	*	*	*	*	2	(P1) 154 - 155 (P5) 170 - 171 (P4) 182 - 183
7,1	7,27	206	112	2494	*	*	*	*	*	*	*	*	*	*		
8	7,75	194	115	2403	*	*	*	*	*	*	*	*	*	*		
9	8,96	167	115	2078	*	*	*	*	*	*	*	*	*	*		
10	9,86	152	115	1888	460	889	1087	350	676	826	372	718	878			
11,2	11,41	132	115	1633	429	829	1014	323	624	763	345	667	815			
12,5	12,43	121	115	1499	447	865	1057	363	702	858	382	738	902			
14	14,37	104	115	1296	418	808	987	336	650	795	355	686	838			
16	15,56	96	115	1197	430	831	1016	370	715	874	384	742	907			
18	18,00	83	115	1035	403	778	951	344	664	812	358	692	846			
20	19,36	77	101	857	294	568	717	249	481	608	269	519	656	3	(P1) 156 - 157 (P5) 172 - 173 (P4) 184 - 185	
22,4	22,39	67	115	844	278	537	678	237	459	579	255	493	623			
25	24,39	62	115	775	291	562	710	253	489	618	270	522	659			
28	28,21	53	115	670	277	535	676	238	461	582	256	494	624			
31,5	31,31	48	115	603	280	540	682	252	487	614	265	512	647			
35,5	36,22	41	115	522	267	515	651	238	460	581	252	486	614			
40	39,21	38	115	482	265	513	647	237	458	579	251	485	613			
45	45,35	33	115	417	253	488	617	224	432	545	238	460	581			
50	48,92	31	115	386	232	449	567	218	421	531	225	435	550			
56	56,59	27	115	334	222	430	543	207	400	505	215	416	525			
63	61,26	24	115	308	222	430	543	207	400	505	215	416	525			
71	70,86	21	115	267	222	430	543	207	400	505	215	416	525			
80	79,84	19	115	237	212	410	518	197	381	481	205	397	501			
90	90,72	17	115	208	207	401	506	195	378	477	202	390	493			
100	98,87	15	115	194	226	-	553	211	-	515	220	-	538			
112	114,36	13	115	168	217	-	530	201	-	490	211	-	514			
125	128,86	12	115	149	207	-	506	191	-	466	201	-	490			
140	142,63	11	115	135	205	-	499	188	-	460	198	-	484			
160	160,71	9,3	115	120	195	-	477	179	-	437	189	-	462			
180	178,69	8,4	115	108	186	-	454	171	-	417	181	-	441			
200	201,35	7,4	115	95	178	-	434	162	-	396	172	-	421			
224	223,41	6,7	115	86	184	-	449	176	-	430	181	-	442			
250	251,73	6,0	115	76	176	-	428	168	-	409	173	-	422			
280	279,90	5,4	115	69	167	-	408	160	-	389	165	-	402			
315	315,38	4,8	115	61	160	-	390	152	-	371	157	-	384			
355	358,33	4,2	115	54	155	-	378	147	-	358	152	-	372			

Notes: (*) = Consult WEG.
 (-) = Not available.
 When the fan is installed on the input flange, PT is derated by 20%.
 1) Forced lubrication.

Selection tables

Parallel gearboxes

W14 P - 1,500 rpm

W14 - n1 = 1500 rpm														132 kNm		
iN	i _{ex}	n2 [rpm]	M2 [kNm]	P1 [kW]	PT - 20 °C [kW]									ST	Dimensions	
					Mounting position - P1			Mounting position - P5			Mounting position - P4					
					PTG	PTV	PTC	PTG	PTV	PTC	PTG	PTV	PTC			
7,1	7,08	212	116	2652	*	*	*	*	*	*	*	*	*	*	2	(P1) 154 - 155 (P5) 170 - 171 (P4) 182 - 183
8	8,17	184	127	2518	*	*	*	*	*	*	*	*	*	*		
9	8,73	172	132	2448	*	*	*	*	*	*	*	*	*	*		
10	10,07	149	132	2123	*	*	*	*	*	*	*	*	*	*		
11,2	11,11	135	132	1924	468	905	826	356	688	629	378	731	668			
12,5	12,81	117	132	1668	440	850	777	332	641	585	354	683	624			
14	14,00	107	132	1527	456	881	805	371	716	654	389	752	687			
16	16,14	93	132	1324	429	829	757	345	668	610	364	704	643			
18	17,53	86	132	1219	438	847	774	377	729	666	392	757	691			
20	20,22	74	132	1057	413	799	730	353	682	623	368	710	649			
22,4	21,81	69	115	866	294	568	534	256	495	466	273	527	496	3	(P1) 156 - 157 (P5) 172 - 173 (P4) 184 - 185	
25	25,15	60	132	862	281	544	511	242	468	441	260	502	472			
28	27,48	55	132	789	294	568	534	256	495	466	273	527	496			
31,5	31,69	47	132	684	281	544	511	242	468	441	260	502	472			
35,5	35,28	43	132	615	282	546	513	255	492	463	268	517	487			
40	40,68	37	132	533	271	523	492	242	467	440	255	494	464			
45	44,18	34	132	491	268	518	487	240	464	436	254	491	461			
50	50,94	29	132	426	257	496	466	227	439	413	242	467	440			
56	55,13	27	132	393	234	453	426	220	425	400	228	440	414			
63	63,57	24	132	341	226	436	410	210	407	382	218	422	397			
71	69,03	22	132	314	226	436	410	210	407	382	218	422	397			
80	79,60	19	132	272	226	436	410	210	407	382	218	422	397			
90	89,69	17	132	242	215	416	392	200	387	364	208	403	379			
100	101,90	15	132	213	211	407	383	199	384	361	205	396	373			
112	111,40	13	132	198	229	-	416	213	-	388	223	-	404			
125	128,46	12	132	172	220	-	400	204	-	371	214	-	389			
140	144,75	10	132	152	210	-	382	194	-	352	204	-	370			
160	160,22	9	132	138	208	-	377	191	-	348	201	-	366			
180	180,52	8,3	132	122	198	-	360	182	-	330	192	-	349			
200	200,72	7,5	132	110	189	-	343	173	-	315	183	-	333			
224	226,17	6,6	132	98	181	-	328	165	-	300	175	-	318			
250	250,96	6,0	132	88	187	-	339	179	-	325	184	-	334			
280	282,77	5,3	132	78	178	-	324	170	-	309	175	-	319			
315	314,41	4,8	132	70	170	-	308	162	-	295	167	-	304			
355	354,27	4,2	132	62	162	-	295	154	-	281	160	-	290			
400	402,51	3,7	132	55	157	-	286	149	-	271	155	-	281			

Notes: (*) = Consult WEG.

(-) = Not available.

When the fan is installed on the input flange, PT is derated by 20%.

1) Forced lubrication.

Selection tables

Parallel gearboxes

W15 P - 1,500 rpm

W15 - n1 = 1500 rpm														158 kNm	
iN	i _{ex}	n2 [rpm]	M2 [kNm]	P1 [kW]	PT - 20 °C [kW]									ST	Dimensions
					Mounting position - P1			Mounting position - P5			Mounting position - P4				
					PTG	PTV	PTC	PTG	PTV	PTC	PTG	PTV	PTC		
6,3	6,21	242	124	3233	*	*	*	*	*	*	*	*	*		
7,1	7,25	207	137	3060	*	*	*	*	*	*	*	*	*		
8	8,03	187	137	2761	*	*	*	*	*	*	*	*	*		
9	9,38	160	141	2435	*	*	*	*	*	*	*	*	*		
10	9,85	152	141	2317	505	976	1112	356	688	784	384	742	846		
11,2	11,50	130	152	2140	470	908	1034	334	646	736	361	698	795		
12,5	12,41	121	152	1983	496	959	1092	385	744	848	409	790	900		
14	14,49	104	158	1766	461	891	1014	359	694	791	382	738	840		
16	15,53	97	158	1647	461	890	1014	389	752	856	406	784	893		
18	18,13	83	158	1411	430	831	947	361	698	795	378	730	832		
20	19,34	78	128	1087	342	660	771	295	570	665	314	607	709		
22,4	22,57	66	141	1026	322	623	727	279	539	629	297	574	670		
25	24,37	62	153	1032	337	652	761	298	576	673	315	608	710		
28	28,44	53	158	913	320	618	721	281	543	634	297	575	671		
31,5	31,29	48	158	830	323	625	729	296	572	668	308	596	696		
35,5	36,51	41	158	711	308	595	694	280	541	631	292	565	660		
40	39,14	38	158	663	298	577	673	273	528	617	285	552	644		
45	45,69	33	158	568	285	550	642	258	499	583	271	524	611		
50	48,88	31	158	531	261	503	588	248	480	560	255	492	574		
56	57,05	26	158	455	250	483	563	237	457	534	243	470	549		
63	61,16	25	158	424	250	483	563	237	457	534	243	470	549		
71	71,38	21	158	364	250	483	563	237	457	534	243	470	549		
80	80,50	19	158	322	243	469	548	229	443	518	237	457	534		
90	91,46	16	158	284	237	459	535	227	438	512	232	449	524		
100	98,71	15	158	267	252	-	569	240	-	541	247	-	558		
112	115,21	13	158	229	242	-	546	229	-	516	237	-	534		
125	129,92	12	158	203	235	-	531	221	-	500	230	-	519		
140	143,68	10	158	184	229	-	516	215	-	486	224	-	505		
160	162,03	9,3	158	163	222	-	502	208	-	470	217	-	490		
180	180,01	8,3	158	147	208	-	470	196	-	442	204	-	460		
200	203,00	7,4	158	130	203	-	458	190	-	428	198	-	447		
224	225,06	6,7	158	117	206	-	465	200	-	451	204	-	460		
250	253,80	5,9	158	104	200	-	452	194	-	437	198	-	447		
280	281,97	5,3	158	94	188	-	424	182	-	410	186	-	419		
315	317,98	4,7	158	83	183	-	413	176	-	398	181	-	408		
355	361,27	4,2	158	73	178	-	401	171	-	385	176	-	396		

Notes: (*) = Consult WEG.

(-) = Not available.

When the fan is installed on the input flange, PT is derated by 20%.

1) Forced lubrication.

Selection tables

Parallel gearboxes

W16 P - 1,500 rpm

W16 - n1 = 1500 rpm														178 kNm	
iN	i _{ex}	n2 [rpm]	M2 [kNm]	P1 [kW]	PT - 20 °C [kW]									ST	Dimensions
					Mounting position - P1			Mounting position - P5			Mounting position - P4				
					PTG	PTV	PTC	PTG	PTV	PTC	PTG	PTV	PTC		
7,1	6,95	216	138	3214	*	*	*	*	*	*	*	*	*	*	
8	8,09	185	154	3083	*	*	*	*	*	*	*	*	*	*	
9	8,99	167	154	2773	*	*	*	*	*	*	*	*	*	*	
10	10,46	143	158	2445	*	*	*	*	*	*	*	*	*	*	
11,2	11,03	136	158	2320	510	985	856	359	693	602	386	747	649	2 (P1) 154 - 155 (P5) 170 - 171 (P4) 182 - 183	
12,5	12,83	117	170	2145	475	917	797	338	654	568	365	705	613		
14	13,90	108	170	1981	502	970	843	389	753	654	413	798	694		
16	16,17	93	178	1782	466	900	782	363	702	610	386	745	648		
18	17,39	86	178	1658	467	902	784	393	760	661	410	793	689		
20	20,23	74	178	1425	435	841	731	366	707	615	382	739	642		
22,4	21,65	69	140	1062	347	670	593	298	576	510	318	615	544		
25	25,19	60	158	1030	326	630	558	282	545	483	301	581	514		
28	27,28	55	172	1036	342	660	585	302	584	517	319	616	545		
31,5	31,74	47	178	921	323	625	554	284	550	487	301	581	515		
35,5	35,02	43	178	835	327	633	560	300	580	514	312	604	535		
40	40,75	37	178	718	311	602	533	283	547	485	296	572	506		
45	43,82	34	178	667	302	584	517	277	535	474	289	559	495		
50	50,98	29	178	574	288	556	493	262	506	448	274	530	470		
56	54,72	27	178	534	264	510	452	252	486	431	258	499	442		
63	63,67	24	178	459	254	491	435	241	465	412	248	479	424		
71	68,46	22	178	427	254	491	435	241	465	412	248	479	424		
80	79,66	19	178	367	254	491	435	241	465	412	248	479	424		
90	89,83	17	178	326	247	478	423	234	451	400	241	465	412		
100	102,07	15	178	287	240	464	411	230	444	393	235	455	403		
112	110,49	14	178	269	256	-	438	243	-	416	251	-	429		
125	128,57	12	178	231	245	-	419	232	-	396	239	-	410		
140	144,98	10	178	205	238	-	408	224	-	384	233	-	398		
160	160,34	9	178	185	231	-	396	218	-	373	226	-	387		
180	180,82	8,3	178	164	225	-	385	211	-	361	220	-	376		
200	200,88	7,5	178	148	211	-	361	198	-	339	206	-	353		
224	226,54	6,6	178	131	205	-	351	192	-	329	201	-	343		
250	251,16	6,0	178	118	209	-	357	202	-	346	206	-	353		
280	283,23	5,3	178	105	203	-	347	196	-	336	201	-	343		
315	314,66	4,8	178	95	190	-	326	184	-	315	188	-	322		
355	354,84	4,2	178	84	185	-	317	179	-	306	183	-	313		
400	403,16	3,7	178	74	180	-	308	173	-	296	178	-	304		
														4 (P1) 158 - 159 (P5) 174 - 175 (P4) 186 - 187	

Notes: (*) = Consult WEG.

(-) = Not available.

When the fan is installed on the input flange, PT is derated by 20%.

1) Forced lubrication.

Selection tables

Parallel gearboxes

W01 P - 1,200 rpm

W01- n1 = 1200 rpm														7,5 kNm	
iN	i _{ex}	n2 [rpm]	M2 [kNm]	P1 [kW]	PT - 20 °C [kW]									ST	Dimensions
					Mounting position - P1			Mounting position - P5			Mounting position - P4				
					PTG	PTV	PTC	PTG	PTV	PTC	PTG	PTV	PTC		
6,3	6,18	194	7,5	153	76	127	-	75	124	-	75	125	-	2	(P1) 154 - 155 (P5) 170 - 171 (P4) 182 - 183
7,1	7,15	168	7,5	132	72	119	-	70	116	-	71	117	-		
8	7,74	155	7,5	122	72	119	-	71	117	-	71	118	-		
9	8,95	134	7,5	105	67	112	-	66	110	-	67	111	-		
10	9,86	122	7,5	96	68	112	-	67	111	-	67	112	-		
11,2	11,41	105	7,5	83	64	106	-	63	104	-	63	105	-		
12,5	12,55	96	7,5	75	64	105	-	63	105	-	63	105	-		
14	14,52	83	7,5	65	60	99	-	59	98	-	59	99	-		
16	15,59	77	7,5	60	58	96	-	57	95	-	57	95	-		
18	18,03	67	7,5	52	54	90	-	54	90	-	54	90	-		
20	19,38	62	7,5	49	45	75	-	45	75	-	45	75	-		
22,4	22,42	54	7,5	42	43	72	-	43	72	-	43	72	-		
25	24,67	49	7,5	38	43	72	-	43	72	-	43	72	-		
28	28,53	42	7,5	33	41	69	-	41	68	-	41	69	-		
31,5	31,13	39	7,5	30	40	67	-	40	67	-	40	67	-		
35,5	36,00	33	7,5	26	39	64	-	38	64	-	39	64	-		
40	38,66	31	7,5	24	38	62	-	37	62	-	37	62	-		
45	44,72	27	7,5	21	36	60	-	36	59	-	36	60	-		
50	49,57	24	7,5	19	35	59	-	35	58	-	35	59	-		
56	57,34	21	7,5	16	34	56	-	34	56	-	34	56	-		
63	61,58	19	7,5	15	33	55	-	33	54	-	33	55	-		
71	71,23	17	7,5	13	32	52	-	31	52	-	31	52	-		
80	80,62	15	7,5	12	30	50	-	30	50	-	30	50	-		
90	91,85	13	7,5	10	29	48	-	29	48	-	29	48	-		

Notes: (*) = Consult WEG.

(-) = Not available.

When the fan is installed on the input flange, PT is derated by 20%.

Selection tables

Parallel gearboxes

W02 P - 1,200 rpm

W02- n1 = 1200 rpm														9,5 kNm	
iN	i _{ex}	n2 [rpm]	M2 [kNm]	P1 [kW]	PT - 20 °C [kW]									ST	Dimensions
					Mounting position - P1			Mounting position - P5			Mounting position - P4				
					PTG	PTV	PTC	PTG	PTV	PTC	PTG	PTV	PTC		
8	7,75	155	9,5	154	81	135	-	79	131	-	80	132	-	2	(P1) 154 - 155 (P5) 170 - 171 (P4) 182 - 183
9	8,91	135	9,5	134	76	126	-	74	122	-	75	124	-		
10	9,70	124	9,5	123	76	127	-	75	124	-	75	125	-		
11,2	11,16	108	9,5	107	71	119	-	70	116	-	71	117	-		
12,5	12,36	97	9,5	97	72	119	-	71	118	-	71	118	-		
14	14,22	84	9,5	84	67	112	-	66	110	-	67	111	-		
16	15,73	76	9,5	76	67	112	-	67	111	-	67	111	-		
18	18,10	66	9,5	66	63	105	-	63	104	-	63	104	-		
20	19,54	61	9,5	61	61	101	-	61	101	-	61	101	-		
22,4	22,48	53	9,5	53	57	95	-	57	95	-	57	95	-		
25	24,30	49	9,5	49	50	83	-	50	82	-	50	82	-	3	(P1) 156 - 157 (P5) 172 - 173 (P4) 184 - 185
28	27,95	43	9,5	43	48	79	-	47	78	-	47	78	-		
31,5	30,92	39	9,5	39	48	79	-	47	79	-	47	79	-		
35,5	35,57	34	9,5	34	45	75	-	45	75	-	45	75	-		
40	39,02	31	9,5	31	44	73	-	44	73	-	44	73	-		
45	44,88	27	9,5	27	42	70	-	42	70	-	42	70	-		
50	48,46	25	9,5	25	41	68	-	41	68	-	41	68	-		
56	55,75	22	9,5	21	39	65	-	39	65	-	39	65	-		
63	62,14	19	9,5	19	39	64	-	39	64	-	39	64	-		
71	71,48	17	9,5	17	37	61	-	37	61	-	37	61	-		
80	77,19	16	9,5	15	36	60	-	36	60	-	36	60	-		
90	88,79	14	9,5	13	34	57	-	34	57	-	34	57	-		
100	100,50	12	9,5	12	35	58	-	35	58	-	35	58	-		
112	114,50	10	9,5	10	31	52	-	31	52	-	31	52	-		

Notes: (*) = Consult WEG.

(-) = Not available.

When the fan is installed on the input flange, PT is derated by 20%.

Selection tables

Parallel gearboxes

W03 P - 1,200 rpm

W03- n1 = 1200 rpm														13 kNm	
iN	i _{ex}	n2 [rpm]	M2 [kNm]	P1 [kW]	PT - 20 °C [kW]									ST	Dimensions
					Mounting position - P1			Mounting position - P5			Mounting position - P4				
					PTG	PTV	PTC	PTG	PTV	PTC	PTG	PTV	PTC		
6,3	6,22	193	12,3	248	107	178	429	103	171	412	105	174	419	2	(P1) 154 - 155 (P5) 170 - 171 (P4) 182 - 183
7,1	7,19	167	12,8	224	100	166	399	96	159	383	98	162	391		
8	7,74	155	13,0	211	102	169	407	99	164	395	100	167	401		
9	8,95	134	13,0	183	95	158	380	92	153	368	94	155	374		
10	9,86	122	13,0	166	95	158	380	93	155	372	94	156	376		
11,2	11,41	105	13,0	143	89	147	355	87	144	348	88	146	352		
12,5	12,55	96	13,0	130	87	144	347	86	142	342	86	143	345		
14	14,52	83	13,0	113	82	135	326	80	133	321	81	134	324		
16	15,55	77	13,0	105	79	131	314	78	129	311	78	130	313		
18	17,98	67	13,0	91	74	123	296	73	122	293	74	123	295		
20	19,36	62	13,0	84	63	105	265	63	104	262	63	105	264		
22,4	22,39	54	13,0	73	60	100	252	60	99	250	60	100	251		
25	24,64	49	13,0	66	59	99	248	59	98	246	59	98	247		
28	28,50	42	13,0	57	57	94	236	56	93	234	56	94	236		
31,5	31,10	39	13,0	53	56	92	232	55	92	231	56	92	232		
35,5	35,98	33	13,0	45	53	88	222	53	88	221	53	88	222		
40	38,53	31	13,0	42	52	86	216	51	85	215	52	86	216		
45	44,56	27	13,0	37	50	82	207	49	82	205	49	82	206		
50	49,50	24	13,0	33	48	80	202	48	80	201	48	80	202		
56	57,26	21	13,0	29	46	77	194	46	77	193	46	77	193		
63	61,32	20	13,0	27	45	75	188	45	75	188	45	75	188		
71	70,93	17	13,0	23	43	72	181	43	72	180	43	72	181		
80	80,98	15	13,0	20	43	71	179	43	71	178	43	71	179		
90	91,90	13	13,0	18	42	70	177	42	70	176	42	70	177		
100	97,09	12	13,0	17	43	-	179	43	-	178	43	-	178		
112	112,30	10,7	13,0	15	41	-	171	41	-	170	41	-	171		
125	128,22	9,4	13,0	13	41	-	169	40	-	169	41	-	169		
140	143,49	8,4	13,0	11	39	-	163	39	-	163	39	-	163		
160	163,84	7,3	13,0	10	39	-	162	39	-	161	39	-	161		
180	178,74	6,7	13,0	9	36	-	149	36	-	148	36	-	149		
200	204,08	5,9	13,0	8	35	-	147	35	-	147	35	-	147		
224	225,06	5,3	13,0	7	35	-	147	35	-	147	35	-	147		
250	256,97	4,7	13,0	6	35	-	145	35	-	145	35	-	145		
280	280,33	4,3	13,0	6	32	-	134	32	-	134	32	-	134		
315	320,08	3,7	13,0	5	32	-	132	32	-	132	32	-	132		
355	363,23	3,3	13,0	4	31	-	130	31	-	130	31	-	130		

Notes: (*) = Consult WEG.
 (-) = Not available.
 When the fan is installed on the input flange, PT is derated by 20%.

Selection tables

Parallel gearboxes

W04 P - 1,200 rpm

W04- n1 = 1200 rpm														16,5 kNm	
iN	i _{ex}	n2 [rpm]	M2 [kNm]	P1 [kW]	PT - 20 °C [kW]									ST	Dimensions
					Mounting position - P1			Mounting position - P5			Mounting position - P4				
					PTG	PTV	PTC	PTG	PTV	PTC	PTG	PTV	PTC		
8	7,79	154	15,4	248	120	200	447	115	191	428	117	195	436	2	(P1) 154 - 155 (P5) 170 - 171 (P4) 182 - 183
9	8,96	134	16,0	224	112	185	414	107	178	397	109	181	405		
10	9,70	124	16,5	214	114	190	424	111	184	411	112	187	417		
11,2	11,16	108	16,5	186	106	176	394	103	171	382	105	174	388		
12,5	12,36	97	16,5	168	107	177	395	104	173	387	105	175	391		
14	14,22	84	16,5	146	99	165	368	97	161	361	98	163	365		
16	15,73	76	16,5	132	97	161	361	96	159	356	97	160	358		
18	18,10	66	16,5	115	91	151	338	90	149	333	90	150	336		
20	19,49	62	16,5	106	88	146	327	87	145	323	88	145	325		
22,4	22,42	54	16,5	92	83	137	307	82	136	304	82	137	306		
25	24,26	49	16,5	85	68	114	272	68	113	269	68	113	271	3	(P1) 156 - 157 (P5) 172 - 173 (P4) 184 - 185
28	27,91	43	16,5	74	65	108	258	65	107	256	65	108	257		
31,5	30,88	39	16,5	67	64	106	254	64	106	252	64	106	254		
35,5	35,52	34	16,5	58	61	101	242	61	100	240	61	101	241		
40	38,99	31	16,5	53	60	100	238	60	99	237	60	100	238		
45	44,85	27	16,5	46	57	95	227	57	95	226	57	95	227		
50	48,29	25	16,5	43	56	93	222	56	92	220	56	92	221		
56	55,55	22	16,5	37	53	89	212	53	88	210	53	88	211		
63	62,06	19	16,5	33	52	87	207	52	86	206	52	87	207		
71	71,38	17	16,5	29	50	83	198	50	83	197	50	83	198		
80	76,87	16	16,5	27	49	81	193	49	81	193	49	81	193	4	(P1) 158 - 159 (P5) 174 - 175 (P4) 186 - 187
90	88,42	14	16,5	23	47	77	185	46	77	184	47	77	185		
100	100,95	12	16,5	21	46	77	183	46	76	182	46	77	183		
112	114,56	10	16,5	18	46	76	181	45	75	180	46	76	181		
125	121,70	9,9	16,5	17	46	-	116	46	-	116	46	-	116		
140	139,99	8,6	16,5	15	44	-	111	44	-	110	44	-	111		
160	159,84	7,5	16,5	13	44	-	110	44	-	109	44	-	110		
180	178,88	6,7	16,5	12	42	-	106	42	-	105	42	-	106		
200	204,24	5,9	16,5	10	42	-	105	41	-	104	42	-	104		
224	222,81	5,4	16,5	9	38	-	97	38	-	96	38	-	96		
250	254,40	4,7	16,5	8	38	-	96	38	-	95	38	-	95		
280	280,55	4,3	16,5	7	38	-	95	38	-	95	38	-	95		
315	320,33	3,7	16,5	6	37	-	94	37	-	94	37	-	94		
355	349,46	3,4	16,5	6	35	-	87	34	-	87	34	-	87		
400	399,01	3,0	16,5	5	34	-	86	34	-	86	34	-	86		
450	452,79	2,7	16,5	5	34	-	84	33	-	84	34	-	84		

Notes: (*) = Consult WEG.

(-) = Not available.

When the fan is installed on the input flange, PT is derated by 20%.

Selection tables

Parallel gearboxes

W05 P - 1,200 rpm

W05 - n1 = 1200 rpm														22 kNm	
iN	i _{ex}	n2 [rpm]	M2 [kNm]	P1 [kW]	PT - 20 °C [kW]									ST	Dimensions
					Mounting position - P1			Mounting position - P5			Mounting position - P4				
					PTG	PTV	PTC	PTG	PTV	PTC	PTG	PTV	PTC		
6,3	6,23	192	19,3	401	144	239	307	124	205	265	142	236	305	2	(P1) 154 - 155 (P5) 170 - 171 (P4) 182 - 183
7,1	7,21	166	20,5	368	135	224	288	117	193	250	135	223	288		
8	7,74	155	20,5	343	134	223	288	120	200	259	134	222	288		
9	8,96	134	22	318	126	210	271	114	189	244	127	211	273		
10	9,95	121	22	287	121	201	258	113	187	242	121	201	260		
11,2	11,51	104	22	248	114	189	244	106	176	228	114	190	245		
12,5	12,55	96	22	227	114	189	244	109	181	233	114	190	245		
14	14,52	83	22	196	108	178	231	103	170	220	108	180	232		
16	15,58	77	22	183	104	173	224	102	168	218	105	174	225		
18	18,02	67	22	158	99	164	212	96	159	206	100	165	213		
20	19,51	62	19	128	104	173	224	99	165	213	102	169	219	3	(P1) 156 - 157 (P5) 172 - 173 (P4) 184 - 185
22,4	22,57	53	22	128	98	162	209	93	155	200	96	159	205		
25	24,62	49	22	117	99	163	211	94	156	202	97	161	207		
28	28,48	42	22	102	94	156	201	90	149	192	92	153	198		
31,5	31,38	38	22	92	95	157	203	92	152	197	94	155	201		
35,5	36,29	33	22	80	90	150	194	87	145	187	89	148	191		
40	38,95	31	22	74	88	147	190	85	142	183	88	145	188		
45	45,05	27	22	64	84	140	181	82	135	175	84	139	179		
50	49,60	24	22	58	85	142	183	84	140	180	85	141	182		
56	57,38	21	22	50	82	136	175	81	134	173	81	135	174		
63	61,58	19	22	47	80	133	172	79	131	169	80	132	171		
71	71,23	17	22	41	77	127	165	76	125	162	76	127	164		
80	81,15	15	22	36	73	121	156	71	119	153	72	120	155		
90	91,85	13	22	31	70	117	151	69	115	149	70	116	150		
100	100,89	12	22	29	62	-	132	61	-	130	61	-	131	4	(P1) 158 - 159 (P5) 174 - 175 (P4) 186 - 187
112	111,74	11	22	26	59	-	127	58	-	125	59	-	126		
125	127,29	9	22	23	56	-	121	55	-	119	56	-	120		
140	142,21	8	22	21	56	-	119	55	-	117	55	-	118		
160	162,01	7,4	22	18	53	-	113	52	-	111	52	-	113		
180	176,65	6,8	22	17	51	-	110	51	-	108	51	-	109		
200	201,25	6,0	22	15	49	-	105	48	-	103	49	-	104		
224	226,50	5,3	22	13	49	-	106	49	-	105	49	-	105		
250	258,04	4,7	22	11	47	-	101	47	-	100	47	-	100		
280	281,36	4,3	22	10	46	-	98	45	-	97	45	-	97		
315	320,53	3,7	22	9	43	-	93	43	-	92	43	-	93		
355	362,81	3,3	22	8	41	-	89	41	-	88	41	-	89		

Notes: (*) = Consult WEG.

(-) = Not available.

When the fan is installed on the input flange, PT is derated by 20%.

Selection tables

Parallel gearboxes

W06 P - 1,200 rpm

W06 - n1 = 1200 rpm														28 kNm	
iN	i _{ex}	n2 [rpm]	M2 [kNm]	P1 [kW]	PT - 20 °C [kW]									ST	Dimensions
					Mounting position - P1			Mounting position - P5			Mounting position - P4				
					PTG	PTV	PTC	PTG	PTV	PTC	PTG	PTV	PTC		
8	7,82	154	25	414	162	268	324	138	230	280	158	262	320	2	(P1) 154 - 155 (P5) 170 - 171 (P4) 182 - 183
9	8,99	133	27	389	151	250	303	131	217	265	149	248	302		
10	9,71	124	28	374	151	250	305	137	227	276	150	249	304		
11,2	11,16	107	28	325	141	235	286	128	212	259	142	235	287		
12,5	12,47	96	28	291	135	224	273	127	210	256	136	225	274		
14	14,34	84	28	253	128	212	258	119	198	241	128	213	260		
16	15,73	76	28	231	128	213	260	123	203	248	129	214	260		
18	18,10	66	28	200	121	200	244	116	192	234	122	202	246		
20	19,53	61	28	186	118	195	238	114	190	231	118	196	239		
22,4	22,47	53	28	161	111	184	225	108	179	218	112	186	226		
25	24,46	49	24	129	112	187	233	107	177	221	110	182	227		
28	28,13	43	28	131	105	174	217	100	166	208	103	170	212		
31,5	30,86	39	28	119	106	175	219	101	168	210	104	173	215		
35,5	35,50	34	28	104	101	167	209	96	159	199	99	164	205		
40	39,33	31	28	94	102	169	210	98	163	204	100	167	208		
45	45,24	27	28	81	97	161	200	94	155	194	96	159	198		
50	48,83	25	28	75	95	157	196	91	151	189	94	156	195		
56	56,16	21	28	66	91	150	188	88	145	181	90	149	186		
63	62,18	19	28	59	92	152	190	90	150	187	91	151	189		
71	71,52	17	28	51	88	145	181	86	143	178	87	145	180		
80	77,19	16	28	48	86	143	178	85	141	175	86	142	177		
90	88,79	14	28	41	82	137	171	81	134	168	82	136	170		
100	101,16	12	28	36	78	129	162	77	127	159	78	129	161		
112	114,50	10	28	32	75	125	156	74	123	154	75	125	156		
125	125,76	9,5	28	30	66	-	137	65	-	135	66	-	136	4	(P1) 158 - 159 (P5) 174 - 175 (P4) 186 - 187
140	139,29	8,6	28	27	63	-	131	63	-	129	63	-	130		
160	158,68	7,6	28	24	60	-	125	59	-	123	60	-	124		
180	177,27	6,8	28	21	59	-	123	59	-	121	59	-	122		
200	201,96	5,9	28	19	57	-	117	56	-	115	56	-	116		
224	220,21	5,4	28	17	55	-	114	54	-	112	55	-	113		
250	250,87	4,8	28	15	52	-	109	52	-	107	52	-	108		
280	282,35	4,3	28	13	53	-	109	53	-	109	53	-	109		
315	321,67	3,7	28	12	50	-	104	50	-	103	50	-	104		
355	350,73	3,4	28	11	49	-	101	48	-	100	49	-	101		
400	399,57	3,0	28	9	47	-	96	46	-	96	46	-	96		
450	452,27	2,7	28	8	44	-	92	44	-	91	44	-	92		

Notes: (*) = Consult WEG.

(-) = Not available.

When the fan is installed on the input flange, PT is derated by 20%.

Selection tables

Parallel gearboxes

W07 P - 1,200 rpm

W07 - n1 = 1200 rpm														36 kNm	
iN	i _{ex}	n2 [rpm]	M2 [kNm]	P1 [kW]	PT - 20 °C [kW]									ST	Dimensions
					Mounting position - P1			Mounting position - P5			Mounting position - P4				
					PTG	PTV	PTC	PTG	PTV	PTC	PTG	PTV	PTC		
6,3	6,26	192	31	642	225	373	388	177	294	310	221	367	387	2	(P1) 154 - 155 (P5) 170 - 171 (P4) 182 - 183
7,1	7,24	166	35	626	210	349	365	168	279	295	210	349	368		
8	7,74	155	36	602	210	349	366	180	299	315	211	349	369		
9	8,96	134	36	521	197	327	344	169	280	296	200	331	349		
10	9,86	122	36	473	197	327	345	177	294	310	199	330	348		
11,2	11,41	105	36	409	185	308	324	166	275	290	188	313	330		
12,5	12,35	97	36	378	184	305	321	170	283	298	185	307	324		
14	14,28	84	36	327	173	287	303	160	266	280	175	291	307		
16	15,55	77	36	300	161	267	282	153	255	269	163	270	285		
18	17,98	67	36	259	153	254	268	145	241	254	155	257	271		
20	19,34	62	33,5	228	167	277	296	154	255	273	160	266	285	3	(P1) 156 - 157 (P5) 172 - 173 (P4) 184 - 185
22,4	22,37	54	36	211	157	261	280	145	241	258	151	251	269		
25	24,22	50	36	195	156	258	276	144	239	256	151	251	268		
28	28,02	43	36	169	148	246	263	136	226	242	144	239	255		
31,5	30,87	39	36	153	148	246	263	141	234	250	146	242	259		
35,5	35,71	34	36	133	142	236	252	134	222	238	139	230	247		
40	38,86	31	36	122	133	220	236	126	208	223	130	216	232		
45	44,95	27	36	105	127	211	226	120	199	213	125	207	222		
50	48,66	25	36	97	131	218	234	128	212	227	130	216	231		
56	56,29	21	36	84	126	209	224	122	203	217	125	207	222		
63	61,27	20	36	77	118	196	210	115	191	204	117	195	209		
71	70,87	17	36	67	114	189	203	110	183	196	113	187	201		
80	81,45	15	36	58	111	184	198	107	178	191	110	183	196		
90	92,99	13	36	51	110	183	196	107	178	191	110	182	195		
100	96,32	12	36	50	92	-	164	91	-	161	92	-	163	4	(P1) 158 - 159 (P5) 174 - 175 (P4) 186 - 187
112	111,41	11	36	43	89	-	158	87	-	155	88	-	156		
125	128,04	9	36	38	87	-	154	85	-	150	86	-	152		
140	141,79	8	36	34	82	-	147	81	-	143	82	-	145		
160	162,95	7,4	36	30	80	-	143	78	-	139	80	-	141		
180	175,63	6,8	36	27	76	-	136	74	-	132	76	-	134		
200	201,84	5,9	36	24	74	-	132	72	-	129	74	-	131		
224	225,68	5,3	36	21	74	-	131	73	-	129	73	-	130		
250	259,36	4,6	36	19	72	-	128	71	-	126	71	-	127		
280	279,54	4,3	36	17	68	-	121	67	-	120	68	-	120		
315	321,26	3,7	36	15	66	-	118	66	-	116	66	-	117		
355	366,81	3,3	36	13	64	-	115	64	-	113	64	-	114		

Notes: (*) = Consult WEG.

(-) = Not available.

When the fan is installed on the input flange, PT is derated by 20%.

Selection tables

Parallel gearboxes

W08 P - 1,200 rpm

W08 - n1 = 1200 rpm													46 kNm		
iN	i _{ex}	n2 [rpm]	M2 [kNm]	P1 [kW]	PT - 20 °C [kW]									ST	Dimensions
					Mounting position - P1			Mounting position - P5			Mounting position - P4				
					PTG	PTV	PTC	PTG	PTV	PTC	PTG	PTV	PTC		
8	7,84	153	39	644	234	388	398	183	303	314	227	377	389	2	(P1) 154 - 155 (P5) 170 - 171 (P4) 182 - 183
9	9,02	133	44	632	220	364	372	175	290	299	217	360	373		
10	9,71	124	46	614	220	366	377	187	310	321	219	363	375		
11,2	11,16	107	46	534	206	342	353	176	292	302	208	344	356		
12,5	12,36	97	46	482	207	344	354	185	307	318	208	345	356		
14	14,22	84	46	419	195	323	334	174	289	299	197	326	337		
16	15,48	78	46	385	193	320	331	179	297	307	194	322	333		
18	17,80	67	46	335	181	301	311	168	279	288	184	305	315		
20	19,49	62	46	306	170	281	291	161	268	277	171	283	293		
22,4	22,42	54	46	266	161	266	275	153	253	262	162	269	278		
25	24,25	49	42	228	175	290	304	161	267	281	168	278	293	3	(P1) 156 - 157 (P5) 172 - 173 (P4) 184 - 185
28	27,89	43	46	217	164	272	286	151	251	264	158	262	275		
31,5	30,36	40	46	199	162	269	283	150	250	262	158	262	275		
35,5	34,92	34	46	173	155	257	270	142	236	248	150	249	261		
40	38,70	31	46	156	155	257	271	147	244	256	152	252	265		
45	44,51	27	46	136	148	245	258	140	232	243	145	240	252		
50	48,72	25	46	124	138	230	242	131	217	229	136	226	238		
56	56,04	21	46	108	133	220	231	125	207	218	130	216	227		
63	61,00	20	46	99	137	228	239	134	222	233	136	226	237		
71	70,17	17	46	86	131	218	229	127	211	222	130	216	227		
80	76,80	16	46	79	124	205	216	120	200	210	123	203	214	4	(P1) 158 - 159 (P5) 174 - 175 (P4) 186 - 187
90	88,34	14	46	68	119	197	207	115	191	201	118	195	205		
100	101,53	12	46	60	116	192	202	112	186	195	115	190	200		
112	115,92	10	46	52	115	190	200	112	185	195	114	189	199		
125	120,73	9,9	46	51	97	-	169	95	-	165	96	-	167		
140	138,88	8,6	46	44	93	-	162	91	-	158	92	-	160		
160	159,61	7,5	46	39	91	-	158	88	-	154	89	-	156		
180	176,75	6,8	46	35	86	-	150	84	-	147	85	-	149		
200	203,14	5,9	46	30	84	-	146	82	-	143	83	-	145		
224	218,94	5,5	46	28	80	-	139	78	-	135	79	-	137		
250	251,61	4,8	46	24	78	-	135	76	-	132	77	-	134		
280	281,33	4,3	46	22	77	-	134	76	-	132	76	-	133		
315	323,31	3,7	46	19	75	-	131	74	-	129	75	-	130		
355	348,46	3,4	46	18	71	-	124	70	-	122	71	-	123		
400	400,47	3,0	46	15	69	-	121	68	-	119	69	-	120		
450	457,26	2,6	46	13	67	-	117	66	-	116	67	-	117		

Notes: (*) = Consult WEG.

(-) = Not available.

When the fan is installed on the input flange, PT is derated by 20%.

Selection tables

Parallel gearboxes

W09 P - 1,200 rpm

W09 - n1 = 1200 rpm														58.5 kNm	
iN	i _{ex}	n2 [rpm]	M2 [kNm]	P1 [kW]	PT - 20 °C [kW]									ST	Dimensions
					Mounting position - P1			Mounting position - P5			Mounting position - P4				
					PTG	PTV	PTC	PTG	PTV	PTC	PTG	PTV	PTC		
6,3	6,23	192	48	997	*	422	457	*	305	331	*	407	442	2	(P1) 154 - 155 (P5) 170 - 171 (P4) 182 - 183
7,1	7,21	166	52	934	*	397	431	*	293	317	*	393	426		
8	7,74	155	55	920	240	399	432	*	321	348	240	398	431		
9	8,96	134	58,5	846	226	375	407	*	303	329	228	379	411		
10	9,94	121	58,5	762	226	375	407	*	325	352	228	378	410		
11,2	11,50	104	58,5	659	213	353	383	183	304	330	216	359	389		
12,5	12,40	97	58,5	611	211	350	379	190	315	342	213	354	384		
14	14,34	84	58,5	528	199	330	358	179	297	322	202	336	364		
16	15,53	77	58,5	488	186	308	334	174	288	312	188	312	338		
18	17,96	67	58,5	422	176	293	317	164	272	295	179	297	322		
20	19,51	62	56,5	381	204	339	371	181	301	329	193	321	351	3	(P1) 156 - 157 (P5) 172 - 173 (P4) 184 - 185
22,4	22,57	53	58,5	341	192	319	349	171	284	311	182	303	331		
25	24,33	49	58,5	316	193	321	351	172	286	313	185	307	336		
28	28,15	43	58,5	273	184	306	335	163	271	297	176	292	320		
31,5	31,26	38	58,5	246	181	300	328	167	277	303	175	291	319		
35,5	36,16	33	58,5	213	173	287	314	158	263	288	168	278	304		
40	39,17	31	58,5	196	164	272	298	151	250	274	160	265	291		
45	45,30	26	58,5	170	158	262	286	144	239	261	153	254	279		
50	48,97	25	58,5	157	167	277	304	162	269	294	166	276	302		
56	56,64	21	58,5	136	162	268	294	155	257	281	159	264	289		
63	61,35	20	58,5	125	153	254	278	147	244	267	151	251	275		
71	70,96	17	58,5	108	147	244	267	140	233	255	145	241	264		
80	80,62	15	58,5	95	145	241	264	138	229	251	143	237	260		
90	91,85	13	58,5	84	140	232	255	134	223	244	138	230	252		
100	97,91	12	58,5	80	113	-	205	109	-	199	111	-	202	4	(P1) 158 - 159 (P5) 174 - 175 (P4) 186 - 187
112	113,26	11	58,5	69	109	-	198	105	-	191	107	-	194		
125	128,68	9	58,5	61	107	-	195	103	-	188	105	-	191		
140	142,90	8	58,5	55	103	-	188	100	-	182	102	-	185		
160	162,36	7,4	58,5	48	102	-	184	98	-	178	100	-	181		
180	177,40	6,8	58,5	44	97	-	176	93	-	169	95	-	173		
200	201,56	6,0	58,5	39	95	-	172	91	-	166	93	-	170		
224	225,92	5,3	58,5	35	92	-	167	90	-	164	91	-	166		
250	256,69	4,7	58,5	30	90	-	164	88	-	161	89	-	163		
280	280,47	4,3	58,5	28	86	-	156	84	-	153	85	-	155		
315	318,66	3,8	58,5	25	84	-	153	83	-	150	84	-	152		
355	363,03	3,3	58,5	22	80	-	145	78	-	143	79	-	144		

Notes: (*) = Consult WEG.
 (-) = Not available.
 When the fan is installed on the input flange, PT is derated by 20%.

Selection tables

Parallel gearboxes

W10 P - 1,200 rpm

W10 - n1 = 1200 rpm														67 kNm	
iN	i _{ex}	n2 [rpm]	M2 [kNm]	P1 [kW]	PT - 20 °C [kW]									ST	Dimensions
					Mounting position - P1			Mounting position - P5			Mounting position - P4				
					PTG	PTV	PTC	PTG	PTV	PTC	PTG	PTV	PTC		
7,1	7,03	171	55	1014	*	433	463	*	313	334	*	414	443	2	(P1) 154 - 155 (P5) 170 - 171 (P4) 182 - 183
8	8,10	148	60	959	*	408	436	*	302	323	*	401	429		
9	8,72	138	64	950	249	412	441	*	329	352	246	408	436		
10	10,06	119	67	863	233	387	414	*	313	335	234	389	416		
11,2	11,20	107	67	775	233	387	414	*	335	358	235	389	417		
12,5	12,92	93	67	672	220	364	390	189	314	336	223	370	396		
14	13,97	86	67	621	218	362	387	197	326	349	220	365	391		
16	16,11	75	67	539	206	341	365	185	307	328	209	346	371		
18	17,57	68	67	494	192	319	341	179	298	318	194	322	345		
20	20,26	59	67	428	182	302	324	169	281	301	185	307	328		
22,4	21,99	55	63,5	380	211	350	379	187	310	336	199	330	358	3	(P1) 156 - 157 (P5) 172 - 173 (P4) 184 - 185
25	25,35	47	67	347	197	328	355	176	292	316	187	311	336		
28	27,42	44	67	321	199	330	357	178	295	319	190	316	342		
31,5	31,62	38	67	279	189	314	340	168	278	301	181	300	325		
35,5	35,22	34	67	250	185	307	333	171	284	308	180	299	324		
40	40,62	30	67	217	177	294	318	163	270	292	172	285	309		
45	44,30	27	67	199	169	280	303	155	257	279	164	273	295		
50	51,08	23	67	172	162	268	290	148	245	266	157	261	283		
56	55,17	22	67	160	173	287	311	166	276	299	171	283	307		
63	63,62	19	67	138	166	275	298	158	263	285	163	271	293		
71	69,39	17	67	127	157	261	283	151	250	271	155	258	279		
80	80,01	15	67	110	151	251	272	144	239	259	149	247	268		
90	90,56	13	67	97	149	247	267	141	235	254	147	243	264		
100	103,17	12	67	85	144	238	258	138	229	248	142	236	255	4	(P1) 158 - 159 (P5) 174 - 175 (P4) 186 - 187
112	113,41	11	67	79	116	-	208	113	-	202	114	-	205		
125	127,70	9	67	70	112	-	201	108	-	194	110	-	197		
140	144,54	8	67	62	110	-	197	106	-	191	108	-	194		
160	161,13	7	67	56	106	-	191	103	-	184	104	-	188		
180	182,38	6,6	67	49	104	-	187	100	-	180	103	-	184		
200	200,03	6,0	67	45	99	-	178	96	-	172	98	-	176		
224	226,41	5,3	67	40	97	-	175	94	-	168	96	-	172		
250	254,73	4,7	67	35	94	-	169	93	-	167	94	-	168		
280	288,33	4,2	67	31	92	-	166	91	-	163	92	-	165		
315	316,23	3,8	67	28	88	-	158	87	-	156	87	-	157		
355	357,94	3,4	67	25	86	-	155	85	-	152	86	-	154		
400	407,78	2,9	67	22	82	-	148	81	-	145	82	-	147		

Notes: (*) = Consult WEG.

(-) = Not available.

When the fan is installed on the input flange, PT is derated by 20%.

Selection tables

Parallel gearboxes

W11 P - 1,200 rpm

W11 - n1 = 1200 rpm														80 kNm	
iN	i _{ex}	n2 [rpm]	M2 [kNm]	P1 [kW]	PT - 20 °C [kW]									ST	Dimensions
					Mounting position - P1			Mounting position - P5			Mounting position - P4				
					PTG	PTV	PTC	PTG	PTV	PTC	PTG	PTV	PTC		
6,3	6,22	193	76	1584	*	571	564	*	*	*	*	560	554	2	(P1) 154 - 155 (P5) 170 - 171 (P4) 182 - 183
7,1	7,19	167	80	1441	*	537	531	*	*	*	*	545	539		
8	7,76	155	80	1336	335	557	550	*	390	386	*	565	559		
9	8,97	134	80	1155	310	514	509	*	367	363	326	541	535		
10	9,86	122	80	1051	322	535	529	*	415	411	333	552	546		
11,2	11,41	105	80	909	301	499	494	233	386	381	316	524	518		
12,5	12,55	96	80	826	304	505	499	256	424	420	315	523	517		
14	14,52	83	80	714	286	475	469	238	395	390	299	496	490		
16	15,36	78	80	675	277	460	455	245	407	402	285	474	468		
18	17,77	68	80	583	262	434	429	230	382	377	271	450	445		
20	19,36	62	79	536	261	434	432	215	356	355	239	397	396	3	(P1) 156 - 157 (P5) 172 - 173 (P4) 184 - 185
22,4	22,39	54	80	470	249	414	412	202	335	333	227	376	375		
25	24,64	49	80	427	249	412	411	202	336	334	231	383	381		
28	28,50	42	80	369	237	394	393	189	314	313	219	363	362		
31,5	31,38	38	80	335	241	400	398	206	342	341	228	379	378		
35,5	36,29	33	80	290	230	382	380	194	323	321	217	361	359		
40	38,41	31	80	274	221	366	365	188	311	310	210	349	347		
45	44,42	27	80	237	212	351	350	177	294	293	201	333	332		
50	49,46	24	80	213	215	356	355	198	329	328	209	347	346		
56	57,21	21	80	184	206	342	340	188	313	311	200	333	331		
63	60,55	20	80	174	198	328	327	181	301	300	193	320	319	4	(P1) 158 - 159 (P5) 174 - 175 (P4) 186 - 187
71	70,03	17	80	150	190	316	314	173	287	286	185	307	306		
80	80,39	15	80	131	181	301	300	163	271	270	176	292	291		
90	92,39	13	80	114	179	297	296	164	273	272	175	290	289		
100	96,02	12	80	111	151	-	250	143	-	236	147	-	243		
112	111,06	11	80	96	146	-	241	137	-	226	141	-	233		
125	127,48	9,4	80	84	139	-	230	129	-	214	134	-	221		
140	139,07	8,6	80	77	137	-	227	128	-	212	133	-	220		
160	159,63	7,5	80	67	131	-	216	121	-	200	126	-	209		
180	175,08	6,9	80	61	125	-	207	116	-	192	121	-	201		
200	200,97	6,0	80	53	119	-	197	110	-	182	116	-	191		
224	219,24	5,5	80	49	122	-	202	118	-	195	120	-	199		
250	251,65	4,8	80	42	116	-	193	112	-	185	115	-	190		
280	276,02	4,3	80	39	111	-	184	107	-	177	110	-	182		
315	316,82	3,8	80	34	106	-	176	102	-	169	105	-	173		
355	364,11	3,3	80	29	103	-	169	98	-	162	101	-	167		

Notes: (*) = Consult WEG.

(-) = Not available.

When the fan is installed on the input flange, PT is derated by 20%.

Selection tables

Parallel gearboxes

W12 P - 1,200 rpm

W12 - n1 = 1200 rpm														92 kNm	
iN	i _{ex}	n2 [rpm]	M2 [kNm]	P1 [kW]	PT - 20 °C [kW]									ST	Dimensions
					Mounting position - P1			Mounting position - P5			Mounting position - P4				
					PTG	PTV	PTC	PTG	PTV	PTC	PTG	PTV	PTC		
7,1	7,00	171	86	1591	*	584	571	*	*	*	*	563	551	2	(P1) 154 - 155 (P5) 170 - 171 (P4) 182 - 183
8	8,08	149	89	1428	*	550	538	*	*	*	*	551	539		
9	8,74	137	92	1363	343	570	557	*	399	390	*	575	562		
10	10,08	119	92	1182	322	535	523	*	375	367	332	552	540		
11,2	11,11	108	92	1073	331	550	538	*	426	416	341	566	553		
12,5	12,81	94	92	930	309	513	502	*	398	389	323	537	525		
14	14,14	85	92	843	314	521	510	264	438	428	324	537	525		
16	16,31	74	92	731	294	488	477	245	407	398	306	509	497		
18	17,31	69	92	688	285	473	463	253	419	410	293	487	476		
20	19,96	60	92	597	269	446	436	236	392	384	278	462	452		
22,4	21,81	55	90	542	268	444	440	217	360	357	244	405	401	3	(P1) 156 - 157 (P5) 172 - 173 (P4) 184 - 185
25	25,15	48	92	481	252	418	414	205	340	337	230	382	378		
28	27,76	43	92	436	252	418	414	206	341	338	234	389	385		
31,5	32,01	37	92	378	241	400	396	193	320	317	222	369	365		
35,5	35,35	34	92	342	245	406	402	210	348	345	232	385	381		
40	40,77	29	92	297	233	387	383	198	328	325	220	366	362		
45	43,27	28	92	279	224	371	368	191	316	313	213	354	351		
50	49,90	24	92	242	214	356	352	180	299	296	203	338	334		
56	55,73	22	92	217	218	361	358	201	334	330	212	352	349		
63	64,27	19	92	188	209	346	343	192	318	315	203	337	334		
71	68,22	18	92	177	201	333	330	184	306	303	196	325	322		
80	78,67	15	92	154	193	320	317	175	291	288	188	311	309		
90	90,30	13	92	134	183	304	301	166	276	273	179	296	294		
100	103,78	12	92	117	181	300	297	167	277	274	177	294	291		
112	108,19	11	92	114	154	-	253	145	-	238	149	-	245	4	(P1) 158 - 159 (P5) 174 - 175 (P4) 186 - 187
125	124,75	9,6	92	99	148	-	243	138	-	228	143	-	235		
140	143,20	8,4	92	86	141	-	232	131	-	216	136	-	224		
160	156,21	7,7	92	79	139	-	229	130	-	214	135	-	222		
180	179,31	6,7	92	69	133	-	218	123	-	202	128	-	211		
200	196,67	6,1	92	63	127	-	208	118	-	194	123	-	202		
224	225,75	5,3	92	54	121	-	199	112	-	184	117	-	193		
250	246,26	4,9	92	50	124	-	204	120	-	197	122	-	201		
280	282,68	4,2	92	44	118	-	194	114	-	187	116	-	191		
315	310,04	3,9	92	40	113	-	186	109	-	179	111	-	183		
355	355,89	3,4	92	35	108	-	177	104	-	170	106	-	175		
400	409,00	2,9	92	30	104	-	171	100	-	164	102	-	168		

Notes: (*) = Consult WEG.

(-) = Not available.

When the fan is installed on the input flange, PT is derated by 20%.

Selection tables

Parallel gearboxes

W13 P - 1,200 rpm

W13 - n1 = 1200 rpm														115 kNm	
iN	i _{ex}	n2 [rpm]	M2 [kNm]	P1 [kW]	PT - 20 °C [kW]									ST	Dimensions
					Mounting position - P1			Mounting position - P5			Mounting position - P4				
					PTG	PTV	PTC	PTG	PTV	PTC	PTG	PTV	PTC		
6,3	6,29	191	103	2122	513	851	1212	361	599	853	386	641	913	2	(P1) 154 - 155 (P5) 170 - 171 (P4) 182 - 183
7,1	7,27	165	115	2049	478	794	1130	339	562	800	363	603	859		
8	7,75	155	115	1923	504	836	1190	385	640	911	408	677	964		
9	8,96	134	115	1662	469	778	1108	360	598	851	382	634	902		
10	9,86	122	115	1511	472	784	1116	391	649	925	409	678	966		
11,2	11,41	105	115	1306	442	733	1043	363	603	858	380	631	899		
12,5	12,43	97	115	1199	454	753	1072	394	655	932	408	677	964		
14	14,37	83	115	1037	425	705	1003	367	609	867	381	632	899		
16	15,56	77	115	957	431	716	1019	390	648	923	401	665	946		
18	18,00	67	115	828	405	671	956	364	605	861	375	622	885		
20	19,36	62	101	686	295	489	720	264	439	645	278	462	679	3	(P1) 156 - 157 (P5) 172 - 173 (P4) 184 - 185
22,4	22,39	54	115	675	278	461	679	251	416	612	263	437	643		
25	24,39	49	115	620	290	481	708	265	440	647	276	459	675		
28	28,21	43	115	536	277	460	676	251	416	612	263	436	642		
31,5	31,31	38	115	483	277	460	676	259	430	632	268	444	653		
35,5	36,22	33	115	417	265	439	646	246	408	600	255	423	623		
40	39,21	31	115	386	264	437	643	245	407	598	254	422	621		
45	45,35	26	115	333	252	418	614	232	386	567	242	402	591		
50	48,92	25	115	309	229	380	559	220	364	536	225	373	548		
56	56,59	21	115	267	220	364	536	210	348	512	215	357	525		
63	61,26	20	115	247	220	364	536	210	348	512	215	357	525		
71	70,86	17	115	213	220	364	536	210	348	512	215	357	525		
80	79,84	15	115	189	210	348	512	200	332	488	205	341	501		
90	90,72	13	115	167	205	340	500	197	327	481	201	334	491		
100	98,87	12	115	155	221	-	539	211	-	516	217	-	530	4	(P1) 158 - 159 (P5) 174 - 175 (P4) 186 - 187
112	114,36	10,5	115	134	212	-	517	202	-	493	208	-	508		
125	128,86	9,3	115	119	203	-	494	192	-	469	198	-	484		
140	142,63	8,4	115	108	200	-	488	190	-	463	196	-	479		
160	160,71	7,5	115	96	191	-	466	181	-	441	187	-	457		
180	178,69	6,7	115	86	182	-	444	172	-	421	179	-	436		
200	201,35	6,0	115	76	174	-	425	164	-	401	171	-	417		
224	223,41	5,4	115	69	180	-	439	175	-	427	178	-	435		
250	251,73	4,8	115	61	172	-	420	167	-	407	170	-	415		
280	279,90	4,3	115	55	164	-	400	159	-	388	162	-	396		
315	315,38	3,8	115	49	157	-	383	152	-	371	155	-	379		
355	358,33	3,3	115	43	152	-	371	147	-	359	150	-	367		

Notes: (*) = Consult WEG.

(-) = Not available.

When the fan is installed on the input flange, PT is derated by 20%.

Selection tables

Parallel gearboxes

W14 P - 1,200 rpm

W14 - n1 = 1200 rpm													132 kNm		
iN	i _{ex}	n2 [rpm]	M2 [kNm]	P1 [kW]	PT - 20 °C [kW]									ST	Dimensions
					Mounting position - P1			Mounting position - P5			Mounting position - P4				
					PTG	PTV	PTC	PTG	PTV	PTC	PTG	PTV	PTC		
7,1	7,08	169	116	2121	519	862	917	364	603	642	389	645	686	2	(P1) 154 - 155 (P5) 170 - 171 (P4) 182 - 183
8	8,17	147	132	2093	489	811	863	344	572	608	370	613	652		
9	8,73	137	132	1959	512	850	904	391	649	690	413	686	730		
10	10,07	119	132	1699	481	797	849	368	610	649	390	647	689		
11,2	11,11	108	132	1539	481	798	849	399	661	704	416	690	734		
12,5	12,81	94	132	1335	453	752	800	373	618	658	390	648	689		
14	14,00	86	132	1221	462	767	816	402	667	710	416	690	734		
16	16,14	74	132	1059	436	723	770	377	625	665	391	648	690		
18	17,53	68	132	975	440	730	776	398	661	703	408	678	721		
20	20,22	59	132	846	415	689	733	374	621	661	385	638	679		
22,4	21,81	55	115	693	293	486	532	268	444	487	279	463	507	3	(P1) 156 - 157 (P5) 172 - 173 (P4) 184 - 185
25	25,15	48	132	690	281	466	511	255	423	463	267	443	485		
28	27,48	44	132	631	293	486	532	268	444	487	279	463	507		
31,5	31,69	38	132	547	281	466	511	255	423	463	267	443	485		
35,5	35,28	34	132	492	280	464	508	262	434	476	270	449	491		
40	40,68	29	132	426	269	446	488	250	415	454	259	430	471		
45	44,18	27	132	393	266	442	484	248	411	450	257	427	467		
50	50,94	24	132	341	256	424	464	236	392	429	246	408	447		
56	55,13	22	132	315	231	383	420	222	368	403	227	376	412		
63	63,57	19	132	273	223	370	405	213	353	387	218	362	397		
71	69,03	17	132	251	223	370	405	213	353	387	218	362	397		
80	79,60	15	132	218	223	370	405	213	353	387	218	362	397		
90	89,69	13	132	193	213	353	387	203	337	369	208	346	379		
100	101,90	12	132	170	208	345	378	200	332	364	204	339	371		
112	111,40	11	132	158	223	-	405	214	-	388	219	-	399	4	(P1) 158 - 159 (P5) 174 - 175 (P4) 186 - 187
125	128,46	9	132	137	215	-	391	205	-	372	211	-	384		
140	144,75	8	132	122	205	-	373	195	-	355	201	-	366		
160	160,22	7	132	110	203	-	369	193	-	350	199	-	362		
180	180,52	6,6	132	98	194	-	352	183	-	333	190	-	345		
200	200,72	6,0	132	88	185	-	336	175	-	318	181	-	330		
224	226,17	5,3	132	78	177	-	321	167	-	303	173	-	315		
250	250,96	4,8	132	70	183	-	332	178	-	323	181	-	329		
280	282,77	4,2	132	62	174	-	317	169	-	308	173	-	314		
315	314,41	3,8	132	56	166	-	302	161	-	293	165	-	299		
355	354,27	3,4	132	50	159	-	289	154	-	280	157	-	286		
400	402,51	3,0	132	44	154	-	281	149	-	271	153	-	278		

Notes: (*) = Consult WEG.

(-) = Not available.

When the fan is installed on the input flange, PT is derated by 20%.

Selection tables

Parallel gearboxes

W15 P - 1,200 rpm

W15 - n1 = 1200 rpm														158 kNm		
iN	i _{ex}	n2 [rpm]	M2 [kNm]	P1 [kW]	PT - 20 °C [kW]									ST	Dimensions	
					Mounting position - P1			Mounting position - P5			Mounting position - P4					
					PTG	PTV	PTC	PTG	PTV	PTC	PTG	PTV	PTC			
6,3	6,21	193	124	²⁵⁸⁷	*	*	*	*	*	*	*	*	*	*	2	(P1) 154 - 155 (P5) 170 - 171 (P4) 182 - 183
7,1	7,25	166	137	2448	*	*	*	*	*	*	*	*	*			
8	8,03	149	137	2209	533	884	1173	388	643	853	414	688	912			
9	9,38	128	141	1948	495	821	1089	360	597	792	386	641	850			
10	9,85	122	141	1854	530	880	1167	414	687	911	438	726	963			
11,2	11,50	104	152	1712	491	815	1081	387	641	851	409	679	900			
12,5	12,41	97	152	1586	509	845	1121	428	711	943	447	741	983			
14	14,49	83	158	1413	472	783	1039	398	661	877	416	690	915			
16	15,53	77	158	1318	464	770	1021	415	688	913	427	708	939			
18	18,13	66	158	1129	434	719	954	386	641	850	398	661	876			
20	19,34	62	128	870	341	567	770	310	514	699	323	536	729	3	(P1) 156 - 157 (P5) 172 - 173 (P4) 184 - 185	
22,4	22,57	53	141	821	322	534	726	293	485	660	305	506	688			
25	24,37	49	153	825	335	556	756	309	513	698	320	532	723			
28	28,44	42	158	730	318	528	717	292	485	659	303	503	685			
31,5	31,29	38	158	664	319	529	719	301	500	680	309	513	698			
35,5	36,51	33	158	569	304	505	686	286	475	645	294	488	664			
40	39,14	31	158	531	294	488	664	278	462	628	286	475	646			
45	45,69	26	158	455	281	467	635	264	439	596	273	453	615			
50	48,88	25	158	425	255	424	576	248	411	559	252	418	568			
56	57,05	21	158	364	245	407	553	237	393	534	241	400	544			
63	61,16	20	158	340	245	407	553	237	393	534	241	400	544			
71	71,38	17	158	291	245	407	553	237	393	534	241	400	544			
80	80,50	15	158	258	239	396	539	230	382	519	235	390	530			
90	91,46	13	158	227	233	387	526	226	376	511	230	381	519			
100	98,71	12	158	214	246	-	554	238	-	537	243	-	547	4	(P1) 158 - 159 (P5) 174 - 175 (P4) 186 - 187	
112	115,21	10,4	158	183	236	-	532	227	-	513	232	-	524			
125	129,92	9,2	158	163	229	-	517	221	-	498	226	-	510			
140	143,68	8,4	158	147	223	-	502	214	-	484	220	-	496			
160	162,03	7,4	158	130	217	-	489	208	-	469	213	-	482			
180	180,01	6,7	158	117	203	-	458	195	-	441	200	-	452			
200	203,00	5,9	158	104	198	-	447	190	-	428	195	-	440			
224	225,06	5,3	158	94	201	-	454	197	-	445	200	-	451			
250	253,80	4,7	158	83	196	-	441	191	-	432	194	-	438			
280	281,97	4,3	158	75	183	-	414	180	-	405	182	-	411			
315	317,98	3,8	158	66	179	-	403	175	-	394	177	-	400			
355	361,27	3,3	158	58	174	-	392	169	-	382	172	-	389			

Notes: (*) = Consult WEG.

(-) = Not available.

When the fan is installed on the input flange, PT is derated by 20%.

1) Forced lubrication.

Selection tables

Parallel gearboxes

W16 P - 1,200 rpm

W16 - n1 = 1200 rpm														178 kNm	
iN	i _{ex}	n2 [rpm]	M2 [kNm]	P1 [kW]	PT - 20 °C [kW]									ST	Dimensions
					Mounting position - P1			Mounting position - P5			Mounting position - P4				
					PTG	PTV	PTC	PTG	PTV	PTC	PTG	PTV	PTC		
7,1	6,95	173	138	²⁵¹⁶	*	*	*	*	*	*	*	*	*	*	
8	8,09	148	154	2466	*	*	*	*	*	*	*	*	*	*	
9	8,99	133	154	2218	537	892	903	390	648	655	417	692	700		
10	10,46	115	158	1956	499	828	838	363	602	609	389	645	653		
11,2	11,03	109	158	1856	536	889	899	417	693	701	441	732	741		
12,5	12,83	94	170	1716	496	824	834	391	649	656	413	686	694		
14	13,90	86	170	1585	516	855	866	433	719	728	452	749	758		
16	16,17	74	178	1426	478	792	802	403	668	676	420	697	706		
18	17,39	69	178	1326	470	780	790	420	697	705	432	717	726		
20	20,23	59	178	1140	439	728	737	391	649	657	403	668	676		
22,4	21,65	55	140	850	347	575	593	314	521	537	328	544	561		
25	25,19	48	158	824	326	540	557	296	491	507	309	512	529		
28	27,28	44	172	829	339	563	581	313	520	536	324	538	555		
31,5	31,74	38	178	737	322	534	550	296	491	506	307	509	525		
35,5	35,02	34	178	668	323	536	553	305	507	523	313	520	536		
40	40,75	29	178	574	308	510	526	289	480	495	298	494	510		
45	43,82	27	178	534	298	495	510	282	468	483	290	481	496		
50	50,98	24	178	459	285	472	487	268	444	458	276	458	472		
56	54,72	22	178	428	259	429	443	251	416	430	255	423	436		
63	63,67	19	178	367	249	414	427	241	400	413	245	407	420		
71	68,46	18	178	342	249	414	427	241	400	413	245	407	420		
80	79,66	15	178	294	249	414	427	241	400	413	245	407	420		
90	89,83	13	178	260	243	403	416	234	389	401	239	396	409		
100	102,07	12	178	229	236	391	403	229	380	392	233	386	398		
112	110,49	11	178	215	249	-	426	241	-	413	246	-	421		
125	128,57	9,3	178	185	238	-	408	230	-	394	235	-	402		
140	144,98	8,3	178	164	232	-	397	223	-	382	228	-	391		
160	160,34	7,5	178	148	225	-	385	217	-	371	222	-	380		
180	180,82	6,6	178	132	219	-	375	211	-	360	216	-	370		
200	200,88	6,0	178	118	205	-	352	198	-	338	203	-	347		
224	226,54	5,3	178	105	200	-	343	192	-	328	197	-	338		
250	251,16	4,8	178	95	203	-	348	199	-	341	202	-	346		
280	283,23	4,2	178	84	198	-	339	194	-	332	196	-	336		
315	314,66	3,8	178	76	186	-	318	182	-	311	184	-	315		
355	354,84	3,4	178	67	181	-	309	177	-	302	179	-	307		
400	403,16	3,0	178	59	176	-	301	172	-	294	174	-	299		

Notes: (*) = Consult WEG.
 (-) = Not available.
 When the fan is installed on the input flange, PT is derated by 20%.
 1) Forced lubrication.

Selection tables

Parallel gearboxes

W01 P - 1,000 rpm

W01 - n1 = 1000 rpm														7,5 kNm	
iN	i _{ex}	n2 [rpm]	M2 [kNm]	P1 [kW]	PT - 20 °C [kW]									ST	Dimensions
					Mounting position - P1			Mounting position - P5			Mounting position - P4				
					PTG	PTV	PTC	PTG	PTV	PTC	PTG	PTV	PTC		
6,3	6,18	162	7,5	127	75	111	-	74	110	-	74	110	-	2	(P1) 154 - 155 (P5) 170 - 171 (P4) 182 - 183
7,1	7,15	140	7,5	110	70	104	-	69	103	-	70	103	-		
8	7,74	129	7,5	102	71	105	-	70	103	-	70	104	-		
9	8,95	112	7,5	88	66	98	-	65	97	-	66	98	-		
10	9,86	101	7,5	80	67	99	-	66	98	-	66	98	-		
11,2	11,41	88	7,5	69	62	93	-	62	92	-	62	92	-		
12,5	12,55	80	7,5	63	62	92	-	62	92	-	62	92	-		
14	14,52	69	7,5	54	59	87	-	58	86	-	58	87	-		
16	15,59	64	7,5	50	57	84	-	56	83	-	56	84	-		
18	18,03	55	7,5	44	53	79	-	53	79	-	53	79	-		
20	19,38	52	7,5	41	44	66	-	44	66	-	44	66	-	3	(P1) 156 - 157 (P5) 172 - 173 (P4) 184 - 185
22,4	22,42	45	7,5	35	42	63	-	42	63	-	42	63	-		
25	24,67	41	7,5	32	43	63	-	42	63	-	42	63	-		
28	28,53	35	7,5	28	41	60	-	40	60	-	41	60	-		
31,5	31,13	32	7,5	25	40	59	-	39	58	-	39	59	-		
35,5	36,00	28	7,5	22	38	56	-	38	56	-	38	56	-		
40	38,66	26	7,5	20	37	54	-	37	54	-	37	54	-		
45	44,72	22	7,5	18	35	52	-	35	52	-	35	52	-		
50	49,57	20	7,5	16	35	51	-	35	51	-	35	51	-		
56	57,34	17	7,5	14	33	49	-	33	49	-	33	49	-		
63	61,58	16	7,5	13	32	48	-	32	48	-	32	48	-		
71	71,23	14	7,5	11	31	46	-	31	46	-	31	46	-		
80	80,62	12	7,5	10	30	44	-	29	44	-	30	44	-		
90	91,85	11	7,5	9	28	42	-	28	42	-	28	42	-		

Notes: (*) = Consult WEG.

(-) = Not available.

When the fan is installed on the input flange, PT is derated by 20%.

Selection tables

Parallel gearboxes

W02 P - 1,000 rpm

W02 - n1 = 1000 rpm														9,5 kNm	
iN	i _{ex}	n2 [rpm]	M2 [kNm]	P1 [kW]	PT - 20 °C [kW]									ST	Dimensions
					Mounting position - P1			Mounting position - P5			Mounting position - P4				
					PTG	PTV	PTC	PTG	PTV	PTC	PTG	PTV	PTC		
8	7,75	129	9,5	128	80	119	-	78	116	-	79	117	-	2	(P1) 154 - 155 (P5) 170 - 171 (P4) 182 - 183
9	8,91	112	9,5	112	75	111	-	73	108	-	74	109	-		
10	9,70	103	9,5	103	75	111	-	74	110	-	74	110	-		
11,2	11,16	90	9,5	89	70	104	-	69	103	-	70	103	-		
12,5	12,36	81	9,5	80	71	105	-	70	104	-	70	104	-		
14	14,22	70	9,5	70	66	98	-	65	97	-	66	98	-		
16	15,73	64	9,5	63	66	98	-	66	97	-	66	98	-		
18	18,10	55	9,5	55	62	92	-	62	91	-	62	92	-		
20	19,54	51	9,5	51	60	89	-	60	88	-	60	88	-		
22,4	22,48	44	9,5	44	56	84	-	56	83	-	56	83	-		
25	24,30	41	9,5	41	49	72	-	49	72	-	49	72	-	3	(P1) 156 - 157 (P5) 172 - 173 (P4) 184 - 185
28	27,95	36	9,5	36	47	69	-	46	69	-	46	69	-		
31,5	30,92	32	9,5	32	47	69	-	46	69	-	46	69	-		
35,5	35,57	28	9,5	28	44	66	-	44	66	-	44	66	-		
40	39,02	26	9,5	25	43	64	-	43	64	-	43	64	-		
45	44,88	22	9,5	22	41	61	-	41	61	-	41	61	-		
50	48,46	21	9,5	21	40	60	-	40	60	-	40	60	-		
56	55,75	18	9,5	18	38	57	-	38	57	-	38	57	-		
63	62,14	16	9,5	16	38	56	-	38	56	-	38	56	-		
71	71,48	14	9,5	14	36	54	-	36	54	-	36	54	-		
80	77,19	13	9,5	13	35	52	-	35	52	-	35	52	-		
90	88,79	11	9,5	11	34	50	-	34	50	-	34	50	-		
100	100,50	10	9,5	10	34	51	-	34	51	-	34	51	-		
112	114,50	9	9,5	9	31	46	-	31	45	-	31	46	-		

Notes: (*) = Consult WEG.

(-) = Not available.

When the fan is installed on the input flange, PT is derated by 20%.

Selection tables

Parallel gearboxes

W03 P - 1,000 rpm

W03 - n1 = 1000 rpm														13 kNm	
iN	i _{ex}	n2 [rpm]	M2 [kNm]	P1 [kW]	PT - 20 °C [kW]									ST	Dimensions
					Mounting position - P1			Mounting position - P5			Mounting position - P4				
					PTG	PTV	PTC	PTG	PTV	PTC	PTG	PTV	PTC		
6,3	6,22	161	13,0	219	106	156	422	103	152	411	104	154	416	2	(P1) 154 - 155 (P5) 170 - 171 (P4) 182 - 183
7,1	7,19	139	13,0	189	98	146	393	96	142	383	97	144	388		
8	7,74	129	13,0	176	100	149	401	98	146	393	99	147	397		
9	8,95	112	13,0	152	94	139	374	92	136	367	93	138	371		
10	9,86	101	13,0	138	93	139	373	92	137	368	93	138	371		
11,2	11,41	88	13,0	119	87	130	349	86	128	344	87	129	347		
12,5	12,55	80	13,0	108	85	126	341	85	125	338	85	126	339		
14	14,52	69	13,0	94	80	119	320	79	118	317	80	118	319		
16	15,55	64	13,0	88	77	115	309	77	114	307	77	114	308		
18	17,98	56	13,0	76	73	108	291	72	107	289	73	108	290		
20	19,36	52	13	70	62	92	259	62	91	257	62	92	258	3	(P1) 156 - 157 (P5) 172 - 173 (P4) 184 - 185
22,4	22,39	45	13	61	59	88	247	59	87	245	59	87	246		
25	24,64	41	13	55	58	86	243	58	86	241	58	86	242		
28	28,50	35	13	48	56	82	232	55	82	230	55	82	231		
31,5	31,10	32	13	44	55	81	227	54	80	227	54	81	227		
35,5	35,98	28	13	38	52	77	217	52	77	216	52	77	217		
40	38,53	26	13	35	51	75	212	50	75	211	51	75	211		
45	44,56	22	13	31	49	72	203	48	72	202	48	72	202		
50	49,50	20	13	27	47	70	198	47	70	197	47	70	198		
56	57,26	17	13	24	45	67	189	45	67	189	45	67	189		
63	61,32	16	13	22	44	66	185	44	65	184	44	66	184	4	(P1) 158 - 159 (P5) 174 - 175 (P4) 186 - 187
71	70,93	14	13	19	42	63	177	42	63	177	42	63	177		
80	80,98	12	13	17	42	62	176	42	62	175	42	62	175		
90	91,90	11	13	15	42	62	174	42	62	173	42	62	173		
100	97,09	10	13	14	42	-	175	42	-	174	42	-	174		
112	112,30	8,9	13	12	40	-	167	40	-	167	40	-	167		
125	128,22	7,8	13	11	40	-	166	40	-	166	40	-	166		
140	143,49	7,0	13	9	38	-	160	38	-	159	38	-	160		
160	163,84	6,1	13	8	38	-	158	38	-	158	38	-	158		
180	178,74	5,6	13	8	35	-	146	35	-	146	35	-	146		
200	204,08	4,9	13	7	35	-	145	35	-	144	35	-	144		
224	225,06	4,4	13	6	35	-	144	34	-	144	34	-	144		
250	256,97	3,9	13	5	34	-	142	34	-	142	34	-	142		
280	280,33	3,6	13	5	31	-	131	31	-	131	31	-	131		
315	320,08	3,1	13	4	31	-	130	31	-	130	31	-	130		
355	363,23	2,8	13	4	31	-	128	31	-	128	31	-	128		
355	363,23	2,8	13	4	31	-	128	31	-	128	31	-	128		

Notes: (*) = Consult WEG.

(-) = Not available.

When the fan is installed on the input flange, PT is derated by 20%.

Selection tables

Parallel gearboxes

W04 P - 1,000 rpm

W04 - n1 = 1000 rpm														16,5 kNm	
iN	i _{ex}	n2 [rpm]	M2 [kNm]	P1 [kW]	PT - 20 °C [kW]									ST	Dimensions
					Mounting position - P1			Mounting position - P5			Mounting position - P4				
					PTG	PTV	PTC	PTG	PTV	PTC	PTG	PTV	PTC		
8	7,79	128	16,3	219	119	176	440	115	171	427	117	173	432	2	(P1) 154 - 155 (P5) 170 - 171 (P4) 182 - 183
9	8,96	112	16,5	193	110	163	408	107	159	397	108	161	402		
10	9,70	103	16,5	178	113	167	418	110	163	409	111	165	413		
11,2	11,16	90	16,5	155	105	155	389	103	152	380	104	154	385		
12,5	12,36	81	16,5	140	105	155	389	103	153	383	104	154	386		
14	14,22	70	16,5	122	98	145	363	96	143	357	97	144	360		
16	15,73	64	16,5	110	96	142	354	95	140	351	95	141	353		
18	18,10	55	16,5	95	89	133	332	89	131	329	89	132	330		
20	19,49	51	16,5	89	86	128	321	86	127	318	86	128	320		
22,4	22,42	45	16,5	77	81	121	302	81	120	300	81	120	301		
25	24,26	41	16,5	71	67	99	266	67	99	264	67	99	265	3	(P1) 156 - 157 (P5) 172 - 173 (P4) 184 - 185
28	27,91	36	16,5	62	64	95	253	63	94	251	64	94	252		
31,5	30,88	32	16,5	56	63	93	249	62	93	248	63	93	248		
35,5	35,52	28	16,5	49	60	89	237	59	88	236	60	88	237		
40	38,99	26	16,5	44	59	87	233	59	87	232	59	87	233		
45	44,85	22	16,5	39	56	83	223	56	83	222	56	83	222		
50	48,29	21	16,5	36	55	81	217	54	81	216	55	81	217		
56	55,55	18	16,5	31	52	77	207	52	77	206	52	77	207		
63	62,06	16	16,5	28	51	76	203	51	76	202	51	76	202		
71	71,38	14	16,5	24	49	72	194	49	72	193	49	72	194		
80	76,87	13	16,5	22	48	71	189	48	70	189	48	71	189		
90	88,42	11	16,5	20	46	68	181	46	67	181	46	68	181		
100	100,95	10	16,5	17	45	67	180	45	67	179	45	67	179		
112	114,56	9	16,5	15	45	66	178	45	66	177	45	66	177		
125	121,70	8,2	16,5	14	45	-	113	45	-	113	45	-	113	4	(P1) 158 - 159 (P5) 174 - 175 (P4) 186 - 187
140	139,99	7,1	16,5	12	43	-	109	43	-	108	43	-	108		
160	159,84	6,3	16,5	11	43	-	108	43	-	107	43	-	107		
180	178,88	5,6	16,5	10	41	-	104	41	-	103	41	-	103		
200	204,24	4,9	16,5	8	41	-	103	41	-	102	41	-	102		
224	222,81	4,5	16,5	8	38	-	95	38	-	94	38	-	94		
250	254,40	3,9	16,5	7	37	-	94	37	-	93	37	-	94		
280	280,55	3,6	16,5	6	37	-	93	37	-	93	37	-	93		
315	320,33	3,1	16,5	5	37	-	92	37	-	92	37	-	92		
355	349,46	2,9	16,5	5	34	-	85	34	-	85	34	-	85		
400	399,01	2,5	16,5	4	33	-	84	33	-	84	33	-	84		
450	452,79	2,2	16,5	4	33	-	83	33	-	83	33	-	83		

Notes: (*) = Consult WEG.

(-) = Not available.

When the fan is installed on the input flange, PT is derated by 20%.

Selection tables

Parallel gearboxes

W05 P - 1,000 rpm

W05 - n1 = 1000 rpm														22 kNm	
iN	i _{ex}	n2 [rpm]	M2 [kNm]	P1 [kW]	PT - 20 °C [kW]									ST	Dimensions
					Mounting position - P1			Mounting position - P5			Mounting position - P4				
					PTG	PTV	PTC	PTG	PTV	PTC	PTG	PTV	PTC		
6,3	6,23	160	19,3	334	144	213	307	129	191	277	143	211	306	2	(P1) 154 - 155 (P5) 170 - 171 (P4) 182 - 183
7,1	7,21	139	20,5	307	134	199	287	121	180	260	134	199	288		
8	7,74	129	20,5	286	133	197	287	124	183	266	133	198	287		
9	8,96	112	22	265	125	186	269	117	173	251	126	187	270		
10	9,95	101	22	239	120	177	256	114	169	244	120	178	257		
11,2	11,51	87	22	206	113	167	241	107	159	230	113	168	242		
12,5	12,55	80	22	189	113	167	241	109	162	234	113	167	242		
14	14,52	69	22	164	106	158	228	103	153	221	107	158	229		
16	15,58	64	22	152	103	153	221	101	150	217	104	154	222		
18	18,02	55	22	132	98	145	209	96	142	206	98	146	211		
20	19,51	51	19	107	102	151	219	99	146	212	101	149	215	3	(P1) 156 - 157 (P5) 172 - 173 (P4) 184 - 185
22,4	22,57	44	22	107	96	142	205	93	137	199	94	140	202		
25	24,62	41	22	98	96	143	206	93	138	200	95	141	204		
28	28,48	35	22	85	92	136	197	89	132	191	91	135	195		
31,5	31,38	32	22	77	92	137	198	90	134	194	92	136	196		
35,5	36,29	28	22	66	88	131	189	86	128	185	88	130	188		
40	38,95	26	22	62	86	128	185	84	125	181	86	127	184		
45	45,05	22	22	53	83	122	177	81	120	173	82	122	176		
50	49,60	20	22	49	83	123	178	82	122	177	83	123	178		
56	57,38	17	22	42	80	118	171	79	117	169	79	118	170		
63	61,58	16	22	39	78	116	167	77	115	166	78	116	167		
71	71,23	14	22	34	75	111	161	74	110	159	75	111	160		
80	81,15	12	22	30	71	105	152	70	104	151	71	105	152		
90	91,85	11	22	26	69	102	147	68	101	146	69	102	147		
100	100,89	10	22	24	61	-	130	60	-	129	60	-	129	4	(P1) 158 - 159 (P5) 174 - 175 (P4) 186 - 187
112	111,74	8,9	22	22	58	-	125	58	-	124	58	-	124		
125	127,29	7,9	22	19	55	-	119	55	-	118	55	-	118		
140	142,21	7,0	22	17	55	-	117	54	-	116	54	-	117		
160	162,01	6,2	22	15	52	-	112	51	-	110	52	-	111		
180	176,65	5,7	22	14	51	-	109	50	-	107	50	-	108		
200	201,25	5,0	22	12	48	-	103	48	-	102	48	-	103		
224	226,50	4,4	22	11	49	-	104	48	-	104	49	-	104		
250	258,04	3,9	22	9	46	-	99	46	-	99	46	-	99		
280	281,36	3,6	22	9	45	-	97	45	-	96	45	-	96		
315	320,53	3,1	22	8	43	-	92	43	-	92	43	-	92		
355	362,81	2,8	22	7	41	-	88	41	-	87	41	-	88		

Notes: (*) = Consult WEG.

(-) = Not available.

When the fan is installed on the input flange, PT is derated by 20%.

Selection tables

Parallel gearboxes

W06 P - 1,000 rpm

W06 - n1 = 1000 rpm														28 kNm	
iN	i _{ex}	n2 [rpm]	M2 [kNm]	P1 [kW]	PT - 20 °C [kW]									ST	Dimensions
					Mounting position - P1			Mounting position - P5			Mounting position - P4				
					PTG	PTV	PTC	PTG	PTV	PTC	PTG	PTV	PTC		
8	7,82	128	25	345	162	240	325	145	215	293	159	236	321	2	(P1) 154 - 155 (P5) 170 - 171 (P4) 182 - 183
9	8,99	111	27	324	150	223	303	136	202	275	149	221	302		
10	9,71	103	28	311	150	223	304	140	207	283	150	222	302		
11,2	11,16	90	28	271	140	208	284	131	195	265	141	209	285		
12,5	12,47	80	28	242	134	199	272	128	190	259	134	199	272		
14	14,34	70	28	211	126	187	255	121	179	244	127	188	257		
16	15,73	64	28	192	127	188	256	123	182	249	127	189	257		
18	18,10	55	28	167	120	177	242	116	172	234	120	178	243		
20	19,53	51	28	155	117	173	236	114	169	230	117	173	236		
22,4	22,47	45	28	135	110	163	222	108	160	218	110	164	223		
25	24,46	41	24	107	110	163	228	106	158	220	108	160	224	3	(P1) 156 - 157 (P5) 172 - 173 (P4) 184 - 185
28	28,13	36	28	109	102	152	212	99	147	205	101	150	209		
31,5	30,86	32	28	99	103	153	214	100	149	208	102	151	212		
35,5	35,50	28	28	86	98	146	204	95	141	197	97	144	202		
40	39,33	25	28	78	99	147	205	97	144	201	98	146	204		
45	45,24	22	28	68	95	140	196	93	137	192	94	139	194		
50	48,83	20	28	63	93	138	192	91	134	188	92	137	191		
56	56,16	18	28	55	89	131	183	86	128	179	88	130	182		
63	62,18	16	28	49	89	132	185	89	131	183	89	132	184		
71	71,52	14	28	43	85	127	177	84	125	175	85	126	176		
80	77,19	13	28	40	84	124	174	83	123	172	84	124	173		
90	88,79	11	28	35	80	119	166	79	118	164	80	119	166		
100	101,16	10	28	30	76	113	157	75	111	156	76	112	157		
112	114,50	8,7	28	27	74	109	152	73	108	151	73	109	152		
125	125,76	8,0	28	25	65	-	135	64	-	134	65	-	134	4	(P1) 158 - 159 (P5) 174 - 175 (P4) 186 - 187
140	139,29	7,2	28	22	62	-	129	62	-	128	62	-	129		
160	158,68	6,3	28	20	59	-	123	59	-	122	59	-	122		
180	177,27	5,6	28	18	59	-	121	58	-	120	58	-	121		
200	201,96	5,0	28	15	56	-	115	55	-	114	56	-	115		
224	220,21	4,5	28	14	54	-	112	54	-	111	54	-	112		
250	250,87	4,0	28	12	52	-	107	51	-	106	51	-	107		
280	282,35	3,5	28	11	52	-	108	52	-	107	52	-	108		
315	321,67	3,1	28	10	50	-	103	49	-	102	50	-	103		
355	350,73	2,9	28	9	48	-	100	48	-	99	48	-	100		
400	399,57	2,5	28	8	46	-	95	46	-	95	46	-	95		
450	452,27	2,2	28	7	44	-	91	44	-	90	44	-	91		

Notes: (*) = Consult WEG.

(-) = Not available.

When the fan is installed on the input flange, PT is derated by 20%.

Selection tables

Parallel gearboxes

W07 P - 1,000 rpm

W07 - n1 = 1000 rpm														36 kNm	
iN	i _{ex}	n2 [rpm]	M2 [kNm]	P1 [kW]	PT - 20 °C [kW]									ST	Dimensions
					Mounting position - P1			Mounting position - P5			Mounting position - P4				
					PTG	PTV	PTC	PTG	PTV	PTC	PTG	PTV	PTC		
6,3	6,26	160	31	535	225	334	393	190	282	333	223	331	391	2	(P1) 154 - 155 (P5) 170 - 171 (P4) 182 - 183
7,1	7,24	138	35	522	211	313	366	180	267	315	211	313	369		
8	7,74	129	36	502	210	311	366	188	278	329	210	311	368		
9	8,96	112	36	434	197	292	344	176	262	309	198	294	347		
10	9,86	101	36	394	196	290	343	182	269	318	197	292	345		
11,2	11,41	88	36	341	185	274	323	171	253	299	187	277	327		
12,5	12,35	81	36	315	182	270	319	173	257	303	183	272	321		
14	14,28	70	36	272	172	254	300	163	242	285	173	257	304		
16	15,55	64	36	250	160	237	279	154	229	270	161	238	281		
18	17,98	56	36	216	152	225	266	146	217	256	153	227	268		
20	19,34	52	33,5	190	163	242	290	154	229	274	159	236	282	3	(P1) 156 - 157 (P5) 172 - 173 (P4) 184 - 185
22,4	22,37	45	36	176	154	228	273	145	216	258	150	222	267		
25	24,22	41	36	163	152	225	270	145	214	257	149	221	265		
28	28,02	36	36	141	145	216	258	137	203	244	142	211	253		
31,5	30,87	32	36	128	145	215	258	140	207	248	143	212	254		
35,5	35,71	28	36	110	110	163	195	133	197	236	137	202	243		
40	38,86	26	36	101	130	192	230	125	185	222	128	190	228		
45	44,95	22	36	88	124	184	221	119	177	212	123	182	218		
50	48,66	21	36	81	128	190	227	126	187	224	127	189	226		
56	56,29	18	36	70	123	182	218	120	179	214	122	181	217		
63	61,27	16	36	64	116	171	205	113	168	201	115	170	204		
71	70,87	14	36	56	111	165	198	108	160	192	110	164	196		
80	81,45	12	36	48	108	161	193	106	157	188	108	160	192		
90	92,99	11	36	42	108	159	191	106	157	188	107	159	190		
100	96,32	10	36	42	91	-	162	90	-	159	90	-	160	4	(P1) 158 - 159 (P5) 174 - 175 (P4) 186 - 187
112	111,41	9,0	36	36	88	-	156	86	-	153	87	-	154		
125	128,04	7,9	36	31	85	-	152	84	-	149	85	-	150		
140	141,79	7,1	36	28	81	-	144	80	-	142	81	-	143		
160	162,95	6,2	36	25	79	-	141	78	-	138	79	-	140		
180	175,63	5,7	36	23	75	-	134	74	-	131	75	-	133		
200	201,84	5,0	36	20	73	-	130	72	-	128	73	-	129		
224	225,68	4,4	36	18	73	-	129	72	-	128	72	-	128		
250	259,36	3,9	36	15	71	-	126	70	-	125	71	-	125		
280	279,54	3,6	36	14	67	-	119	67	-	118	67	-	119		
315	321,26	3,2	36	12	66	-	117	65	-	115	65	-	116		
355	366,81	2,8	36	11	64	-	113	63	-	112	64	-	113		

Notes: (*) = Consult WEG.

(-) = Not available.

When the fan is installed on the input flange, PT is derated by 20%.

Selection tables

Parallel gearboxes

W08 P - 1,000 rpm

W08 - n1 = 1000 rpm														46 kNm	
iN	i _{ex}	n2 [rpm]	M2 [kNm]	P1 [kW]	PT - 20 °C [kW]									ST	Dimensions
					Mounting position - P1			Mounting position - P5			Mounting position - P4				
					PTG	PTV	PTC	PTG	PTV	PTC	PTG	PTV	PTC		
8	7,84	128	39	537	237	351	403	197	292	338	231	343	396	2	(P1) 154 - 155 (P5) 170 - 171 (P4) 182 - 183
9	9,02	111	44	526	220	327	375	187	277	321	219	325	376		
10	9,71	103	46	512	220	327	377	197	291	337	219	325	376		
11,2	11,16	90	46	445	206	306	353	185	274	317	207	307	355		
12,5	12,36	81	46	402	206	305	353	191	283	327	207	306	354		
14	14,22	70	46	349	194	287	331	179	265	307	195	289	335		
16	15,48	65	46	321	174	258	328	182	269	312	192	285	330		
18	17,80	56	46	279	180	267	309	171	253	293	182	269	312		
20	19,49	51	46	255	168	249	288	162	241	278	169	250	289		
22,4	22,42	45	46	222	159	236	273	153	227	263	160	238	275		
25	24,25	41	42	190	171	253	298	161	239	282	166	246	290	3	(P1) 156 - 157 (P5) 172 - 173 (P4) 184 - 185
28	27,89	36	46	181	160	238	280	152	225	265	156	232	273		
31,5	30,36	33	46	166	159	236	277	151	224	263	156	231	272		
35,5	34,92	29	46	144	151	224	264	143	212	250	148	220	258		
40	38,70	26	46	130	151	224	264	146	217	255	149	221	261		
45	44,51	22	46	113	144	214	252	139	206	242	142	211	248		
50	48,72	21	46	103	135	201	236	130	193	227	134	198	233		
56	56,04	18	46	90	129	192	226	124	184	217	128	189	223		
63	61,00	16	46	83	134	198	233	131	195	229	133	197	232		
71	70,17	14	46	72	128	190	223	125	186	219	127	188	222		
80	76,80	13	46	66	120	179	210	118	175	206	120	178	209	4	(P1) 158 - 159 (P5) 174 - 175 (P4) 186 - 187
90	88,34	11	46	57	116	172	202	113	168	198	115	170	201		
100	101,53	10	46	50	113	167	197	110	164	193	112	166	196		
112	115,92	8,8	46	43	112	166	195	110	163	192	112	165	195		
125	120,73	8,1	46	42	95	-	166	94	-	163	94	-	164		
140	138,88	7,2	46	37	91	-	159	90	-	157	91	-	158		
160	159,61	6,4	46	32	89	-	155	88	-	153	88	-	154		
180	176,75	5,7	46	29	85	-	148	83	-	145	84	-	147		
200	203,14	5,0	46	25	83	-	144	81	-	142	82	-	143		
224	218,94	4,6	46	23	78	-	137	77	-	134	78	-	136		
250	251,61	4,0	46	20	76	-	133	75	-	131	76	-	133		
280	281,33	3,6	46	18	76	-	132	75	-	131	75	-	132		
315	323,31	3,1	46	16	74	-	129	73	-	128	74	-	128		
355	348,46	2,9	46	15	70	-	122	69	-	121	70	-	122		
400	400,47	2,5	46	13	68	-	119	68	-	118	68	-	119		
450	457,26	2,2	46	11	67	-	116	66	-	115	66	-	116		

Notes: (*) = Consult WEG.

(-) = Not available.

When the fan is installed on the input flange, PT is derated by 20%.

Selection tables

Parallel gearboxes

W09 P - 1,000 rpm

W09 - n1 = 1000 rpm														58.5 kNm	
iN	i _{ex}	n2 [rpm]	M2 [kNm]	P1 [kW]	PT - 20 °C [kW]									ST	Dimensions
					Mounting position - P1			Mounting position - P5			Mounting position - P4				
					PTG	PTV	PTC	PTG	PTV	PTC	PTG	PTV	PTC		
6,3	6,23	160	48	831	258	383	465	*	301	365	252	373	453	2	(P1) 154 - 155 (P5) 170 - 171 (P4) 182 - 183
7,1	7,21	139	52	778	242	359	435	*	287	348	240	356	432		
8	7,74	129	55	767	242	359	435	*	306	371	241	357	434		
9	8,96	112	58,5	705	227	336	408	*	289	350	228	338	411		
10	9,94	101	58,5	635	225	334	406	204	302	366	227	337	409		
11,2	11,50	87	58,5	549	213	316	383	191	283	344	215	319	387		
12,5	12,40	81	58,5	509	210	311	377	195	289	351	212	314	381		
14	14,34	70	58,5	440	198	294	357	184	272	331	201	297	361		
16	15,53	64	58,5	407	185	274	332	176	261	316	186	276	335		
18	17,96	55	58,5	352	175	260	316	166	247	300	177	263	319		
20	19,51	51	56,5	317	200	296	363	184	273	335	193	286	350	3	(P1) 156 - 157 (P5) 172 - 173 (P4) 184 - 185
22,4	22,57	44	58,5	284	188	279	342	174	258	316	182	269	330		
25	24,33	41	58,5	263	189	281	344	175	259	318	184	272	334		
28	28,15	36	58,5	228	181	268	328	166	246	301	175	259	318		
31,5	31,26	32	58,5	205	176	261	320	167	247	303	173	256	314		
35,5	36,16	28	58,5	177	169	250	307	159	235	289	165	245	300		
40	39,17	25	58,5	164	160	237	291	151	224	275	157	233	286		
45	45,30	22	58,5	141	154	228	280	144	214	263	151	224	274		
50	48,97	20	58,5	131	164	243	298	160	237	290	163	241	296		
56	56,64	18	58,5	113	157	233	286	153	226	278	156	231	283		
63	61,35	16	58,5	104	149	221	271	145	215	263	148	219	269	4	(P1) 158 - 159 (P5) 174 - 175 (P4) 186 - 187
71	70,96	14	58,5	90	144	213	261	139	206	252	142	211	258		
80	80,62	12	58,5	79	141	209	257	137	202	248	140	208	254		
90	91,85	11	58,5	70	137	202	248	133	196	241	135	201	246		
100	97,91	9,9	58,5	67	111	-	201	109	-	197	110	-	199		
112	113,26	8,8	58,5	58	107	-	194	104	-	190	106	-	192		
125	128,68	7,8	58,5	51	105	-	191	103	-	187	104	-	189		
140	142,90	7,0	58,5	46	102	-	185	99	-	180	101	-	183		
160	162,36	6,2	58,5	40	100	-	182	98	-	177	99	-	180		
180	177,40	5,6	58,5	37	95	-	173	93	-	169	94	-	171		
200	201,56	5,0	58,5	32	94	-	170	91	-	165	93	-	168		
224	225,92	4,4	58,5	29	90	-	164	89	-	162	90	-	163		
250	256,69	3,9	58,5	25	89	-	161	88	-	159	88	-	161		
280	280,47	3,6	58,5	23	85	-	154	84	-	152	84	-	153		
315	318,66	3,1	58,5	20	83	-	151	82	-	149	83	-	150		
355	363,03	2,8	58,5	18	79	-	144	78	-	142	79	-	143		

Notes: (*) = Consult WEG.

(-) = Not available.

When the fan is installed on the input flange, PT is derated by 20%.

Selection tables

Parallel gearboxes

W10 P - 1,000 rpm

W10 - n1 = 1000 rpm														67 kNm	
iN	i _{ex}	n2 [rpm]	M2 [kNm]	P1 [kW]	PT - 20 °C [kW]									ST	Dimensions
					Mounting position - P1			Mounting position - P5			Mounting position - P4				
					PTG	PTV	PTC	PTG	PTV	PTC	PTG	PTV	PTC		
7,1	7,03	142	55	845	266	395	473	*	309	370	257	381	457	2	(P1) 154 - 155 (P5) 170 - 171 (P4) 182 - 183
8	8,10	123	60	800	249	370	443	*	296	354	246	365	437		
9	8,72	115	64	792	250	371	445	*	315	377	248	368	440		
10	10,06	99	67	719	234	347	415	*	298	357	235	348	417		
11,2	11,20	89	67	646	233	346	414	211	312	374	234	347	416		
12,5	12,92	77	67	560	220	325	390	198	293	351	222	329	394		
14	13,97	72	67	518	217	321	385	202	299	358	219	324	388		
16	16,11	62	67	449	205	304	364	190	281	337	207	307	368		
18	17,50	57	67	413	191	283	339	182	269	323	192	285	341		
20	20,18	49	67	358	181	269	322	172	255	305	183	271	325		
22,4	21,99	45	63,5	316	206	305	370	190	282	341	198	294	357	3	(P1) 156 - 157 (P5) 172 - 173 (P4) 184 - 185
25	25,35	39	67	289	193	287	348	178	264	320	186	276	335		
28	27,42	36	67	268	194	288	350	180	266	323	189	280	339		
31,5	31,62	32	67	232	185	274	333	170	252	306	179	266	323		
35,5	35,22	28	67	208	181	268	325	171	254	308	177	263	319		
40	40,62	25	67	181	173	256	311	163	242	293	169	251	305		
45	44,13	23	67	166	164	244	295	155	230	279	162	240	290		
50	50,89	20	67	144	158	234	283	148	219	266	155	230	278		
56	55,17	18	67	133	169	250	303	164	243	295	167	248	300		
63	63,62	16	67	115	161	239	290	157	232	281	160	237	287		
71	69,13	14	67	106	153	227	275	149	220	267	152	225	273		
80	79,71	12	67	92	147	218	264	142	211	256	146	216	262		
90	90,56	11	67	81	145	215	261	140	208	252	144	213	258		
100	103,17	10	67	71	140	207	251	136	201	244	139	206	249		
112	110,33	8,8	67	68	114	-	204	111	-	200	113	-	202	4	(P1) 158 - 159 (P5) 174 - 175 (P4) 186 - 187
125	127,22	7,8	67	59	110	-	197	107	-	193	108	-	195		
140	144,54	6,9	67	52	108	-	194	105	-	189	107	-	192		
160	160,52	6,2	67	46	104	-	187	102	-	183	103	-	185		
180	182,38	5,5	67	41	103	-	184	100	-	180	101	-	182		
200	199,27	5,0	67	37	98	-	175	95	-	171	97	-	174		
224	226,41	4,4	67	33	96	-	172	93	-	168	95	-	171		
250	253,77	3,9	67	29	93	-	166	92	-	165	92	-	166		
280	288,33	3,5	67	26	91	-	164	90	-	162	91	-	163		
315	315,04	3,2	67	24	87	-	156	86	-	154	86	-	155		
355	357,94	2,8	67	21	85	-	153	84	-	151	85	-	153		
400	407,78	2,5	67	18	81	-	146	80	-	144	81	-	145		

Notes: (*) = Consult WEG.

(-) = Not available.

When the fan is installed on the input flange, PT is derated by 20%.

Selection tables

Parallel gearboxes

W11 P - 1,000 rpm

W11 - n1 = 1000 rpm														80 kNm	
iN	i _{ex}	n2 [rpm]	M2 [kNm]	P1 [kW]	PT - 20 °C [kW]									ST	Dimensions
					Mounting position - P1			Mounting position - P5			Mounting position - P4				
					PTG	PTV	PTC	PTG	PTV	PTC	PTG	PTV	PTC		
6,3	6,22	161	76	1320	356	527	584	*	*	406	351	520	576	2	(P1) 154 - 155 (P5) 170 - 171 (P4) 182 - 183
7,1	7,19	139	80	1201	334	495	548	*	346	383	337	500	553		
8	7,76	129	80	1113	342	508	562	*	390	432	346	513	568		
9	8,97	111	80	962	320	474	524	*	365	404	329	487	539		
10	9,86	101	80	876	326	483	535	271	402	445	333	494	547		
11,2	11,41	88	80	757	304	451	499	253	374	414	315	467	517		
12,5	12,55	80	80	688	307	454	503	270	400	443	313	465	514		
14	14,52	69	80	595	287	426	471	252	373	413	296	439	486		
16	15,36	65	80	562	277	410	454	253	376	416	282	419	463		
18	17,77	56	80	486	262	388	429	239	354	391	268	397	440		
20	19,36	52	79	447	256	380	424	224	331	370	242	358	399		
22,4	22,39	45	80	391	245	363	405	211	312	348	229	340	379		
25	24,64	41	80	356	244	362	403	211	312	348	232	343	383		
28	28,50	35	80	307	233	346	386	199	294	328	220	327	364		
31,5	31,38	32	80	279	235	349	389	212	314	350	227	337	376		
35,5	36,29	28	80	241	225	334	373	200	297	331	217	321	358		
40	38,41	26	80	228	216	320	357	193	286	319	209	309	345		
45	44,42	23	80	197	207	307	343	183	271	302	200	296	330		
50	49,46	20	80	177	209	310	346	198	294	328	206	305	340		
56	57,21	17	80	153	201	298	333	189	281	313	197	292	326		
63	60,55	17	80	145	192	285	318	182	269	300	189	281	313		
71	70,03	14	80	125	185	275	306	174	258	287	182	270	301		
80	80,39	12	80	109	177	262	292	165	244	272	173	257	287		
90	92,39	11	80	95	174	258	288	164	244	272	171	254	283		
100	96,02	10	80	93	149	-	246	143	-	236	146	-	241		
112	111,06	9,0	80	80	144	-	237	137	-	226	140	-	232		
125	127,48	7,8	80	70	137	-	226	130	-	215	133	-	221		
140	139,07	7,2	80	64	135	-	223	129	-	213	132	-	218		
160	159,63	6,3	80	56	129	-	213	122	-	202	126	-	208		
180	175,08	5,7	80	51	123	-	203	117	-	193	121	-	199		
200	200,97	5,0	80	44	118	-	195	111	-	184	115	-	190		
224	219,24	4,6	80	41	120	-	199	118	-	194	119	-	197		
250	251,65	4,0	80	35	115	-	190	112	-	185	114	-	188		
280	276,02	3,6	80	32	110	-	182	107	-	177	109	-	180		
315	316,82	3,2	80	28	105	-	173	102	-	169	104	-	172		
355	364,11	2,8	80	24	101	-	168	98	-	162	100	-	166		

Notes: (*) = Consult WEG.

(-) = Not available.

When the fan is installed on the input flange, PT is derated by 20%.

Selection tables

Parallel gearboxes

W12 P - 1,000 rpm

W12 - n1 = 1000 rpm														92 kNm	
iN	i _{ex}	n2 [rpm]	M2 [kNm]	P1 [kW]	PT - 20 °C [kW]									ST	Dimensions
					Mounting position - P1			Mounting position - P5			Mounting position - P4				
					PTG	PTV	PTC	PTG	PTV	PTC	PTG	PTV	PTC		
7,1	7,00	143	86	1326	364	540	591	*	373	409	356	527	577	2	(P1) 154 - 155 (P5) 170 - 171 (P4) 182 - 183
8	8,08	124	89	1190	342	507	555	*	352	386	343	508	556		
9	8,74	114	92	1136	352	522	571	*	400	438	354	524	574		
10	10,08	99	92	985	329	487	533	*	375	410	336	499	546		
11,2	11,11	90	92	894	335	497	544	279	413	452	342	508	556		
12,5	12,81	78	92	775	314	465	510	261	386	423	323	479	524		
14	14,14	71	92	702	315	467	511	279	413	452	322	477	523		
16	16,31	61	92	609	295	438	479	260	385	421	304	451	494		
18	17,31	58	92	574	285	423	463	261	387	424	290	430	471		
20	19,96	50	92	498	269	399	436	245	364	398	275	408	447		
22,4	21,81	46	90	452	263	391	433	227	337	374	247	366	406		
25	25,15	40	92	401	248	368	408	214	318	352	233	345	383		
28	27,76	36	92	363	247	367	407	214	318	352	235	349	387		
31,5	32,01	31	92	315	236	350	388	202	299	332	224	331	367		
35,5	35,35	28	92	285	239	355	394	215	319	354	231	342	379		
40	40,77	25	92	247	228	338	375	204	302	335	220	326	361		
45	43,27	23	92	233	219	324	360	196	290	322	212	314	348		
50	49,90	20	92	202	210	311	345	186	276	306	202	300	333		
56	55,73	18	92	181	212	314	349	201	298	330	209	309	343		
63	64,27	16	92	157	204	302	335	192	284	315	200	296	328		
71	68,22	15	92	148	195	289	321	184	273	303	192	285	316		
80	78,67	13	92	128	188	279	309	176	261	290	185	274	303		
90	90,30	11	92	112	179	265	294	167	248	275	176	260	289		
100	103,78	10	92	97	176	261	290	167	247	274	174	257	286		
112	108,19	8,9	92	95	151	-	248	145	-	239	148	-	243		
125	124,75	8,0	92	82	145	-	239	139	-	228	142	-	234		
140	143,20	7,0	92	72	139	-	228	132	-	217	135	-	222		
160	156,21	6,4	92	66	137	-	225	131	-	215	134	-	220		
180	179,31	5,6	92	57	131	-	215	124	-	204	128	-	210		
200	196,67	5,1	92	52	125	-	205	119	-	195	122	-	201		
224	225,75	4,4	92	45	119	-	196	113	-	186	117	-	192		
250	246,26	4,1	92	42	122	-	201	119	-	196	121	-	199		
280	282,68	3,5	92	36	116	-	191	114	-	187	115	-	190		
315	310,04	3,2	92	33	111	-	183	109	-	178	110	-	181		
355	355,89	2,8	92	29	106	-	175	104	-	170	105	-	173		
400	409,00	2,5	92	25	103	-	169	100	-	164	102	-	167		

Notes: (*) = Consult WEG.

(-) = Not available.

When the fan is installed on the input flange, PT is derated by 20%.

Selection tables

Parallel gearboxes

W13 P - 1,000 rpm

W13 - n1 = 1000 rpm														115 kNm	
iN	i _{ex}	n2 [rpm]	M2 [kNm]	P1 [kW]	PT - 20 °C [kW]									ST	Dimensions
					Mounting position - P1			Mounting position - P5			Mounting position - P4				
					PTG	PTV	PTC	PTG	PTV	PTC	PTG	PTV	PTC		
6,3	6,29	159	103	1769	531	786	1254	408	604	963	430	637	1015	2	(P1) 154 - 155 (P5) 170 - 171 (P4) 182 - 183
7,1	7,27	138	115	1707	494	732	1167	381	565	900	403	597	951		
8	7,75	129	115	1602	514	762	1214	422	626	997	441	653	1041		
9	8,96	112	115	1385	478	708	1128	394	583	930	411	610	972		
10	9,86	101	115	1259	476	705	1124	415	616	981	429	636	1013		
11,2	11,41	88	115	1088	445	660	1051	387	573	913	400	593	945		
12,5	12,43	80	115	999	453	672	1071	411	609	970	421	624	994		
14	14,37	70	115	864	425	630	1004	383	568	905	393	583	929		
16	15,56	64	115	798	428	635	1012	400	592	944	407	603	961		
18	18,00	56	115	690	402	596	951	374	554	883	381	565	901		
20	19,36	52	101	572	293	434	715	271	402	662	281	417	687	3	(P1) 156 - 157 (P5) 172 - 173 (P4) 184 - 185
22,4	22,39	45	115	563	276	409	674	257	380	626	266	394	648		
25	24,39	41	115	516	287	426	701	270	400	658	278	412	678		
28	28,21	35	115	446	275	407	670	256	380	625	265	393	646		
31,5	31,31	32	115	402	273	405	667	261	387	637	267	396	652		
35,5	36,22	28	115	348	262	388	639	249	368	607	255	378	622		
40	39,21	26	115	321	260	386	636	248	367	604	254	377	620		
45	45,35	22	115	278	249	369	608	236	349	575	243	360	592		
50	48,92	20	115	257	225	334	550	219	325	534	222	330	543		
56	56,59	18	115	223	216	321	528	210	311	512	213	316	520		
63	61,26	16	115	206	216	321	528	210	311	512	213	316	520		
71	70,86	14	115	178	216	321	528	210	311	512	213	316	520		
80	79,84	12	115	158	207	307	505	200	297	489	204	302	498		
90	90,72	11	115	139	202	299	492	196	291	480	199	295	486		
100	98,87	10	115	130	216	-	528	210	-	512	214	335	522		
112	114,36	8,7	115	112	208	-	507	201	-	490	205	321	500		
125	128,86	7,8	115	99	198	-	484	191	-	467	196	307	478		
140	142,63	7,0	115	90	196	-	478	189	-	461	193	303	472		
160	160,71	6,2	115	80	187	-	457	180	-	440	185	289	451		
180	178,69	5,6	115	72	178	-	436	172	-	420	176	276	430		
200	201,35	4,9	115	64	171	-	417	164	-	401	169	264	411		
224	223,41	4,5	115	57	177	-	431	173	-	423	175	275	428		
250	251,73	4,0	115	51	169	-	412	165	-	404	168	263	409		
280	279,90	3,6	115	46	161	-	392	158	-	385	160	250	390		
315	315,38	3,2	115	41	154	-	376	151	-	368	153	240	373		
355	358,33	2,8	115	36	150	-	365	146	-	356	148	233	362		

Notes: (*) = Consult WEG.
 (-) = Not available.
 When the fan is installed on the input flange, PT is derated by 20%.

Selection tables

Parallel gearboxes

W14 P - 1,000 rpm

W14 - n1 = 1000 rpm													132 kNm		
iN	i _{ex}	n2 [rpm]	M2 [kNm]	P1 [kW]	PT - 20 °C [kW]									ST	Dimensions
					Mounting position - P1			Mounting position - P5			Mounting position - P4				
					PTG	PTV	PTC	PTG	PTV	PTC	PTG	PTV	PTC		
7,1	7,08	141	116	1768	539	799	951	412	610	727	434	643	766	2	(P1) 154 - 155 (P5) 170 - 171 (P4) 182 - 183
8	8,17	122	132	1745	506	750	893	389	576	686	411	609	725		
9	8,73	115	132	1632	523	776	924	429	636	757	447	663	790		
10	10,07	99	132	1415	490	727	866	403	597	711	421	624	743		
11,2	11,11	90	132	1282	484	718	855	423	627	747	437	647	771		
12,5	12,81	78	132	1112	457	677	806	397	588	701	410	608	725		
14	14,00	71	132	1018	462	685	816	419	621	739	429	636	757		
16	16,14	62	132	883	436	646	770	393	583	694	404	598	713		
18	17,53	57	132	813	437	647	771	408	604	720	415	615	732		
20	20,22	49	132	705	413	612	729	384	569	678	391	580	691		
22,4	21,81	46	115	578	262	389	477	272	404	495	280	416	510	3	(P1) 156 - 157 (P5) 172 - 173 (P4) 184 - 185
25	25,15	40	132	575	290	430	527	260	386	473	269	398	489		
28	27,48	36	132	526	279	413	506	272	404	495	280	416	510		
31,5	31,69	32	132	456	290	430	527	260	386	473	269	398	489		
35,5	35,28	28	132	410	279	413	506	263	390	479	269	399	490		
40	40,68	25	132	355	276	409	501	252	374	459	259	384	470		
45	44,18	23	132	327	265	393	483	250	371	455	257	380	467		
50	50,94	20	132	284	263	390	478	239	355	435	246	365	448		
56	55,13	18	132	262	253	375	460	221	328	402	224	333	408		
63	63,57	16	132	227	227	337	413	213	315	387	216	321	393		
71	69,03	14	132	209	227	337	413	213	315	387	216	321	393		
80	79,60	13	132	182	227	337	413	213	315	387	216	321	393		
90	89,69	11	132	161	219	325	399	203	301	369	207	307	376		
100	101,90	9,8	132	142	210	311	382	199	296	362	202	300	368		
112	111,40	8,9	132	132	218	-	397	212	-	385	216	-	392	4	(P1) 158 - 159 (P5) 174 - 175 (P4) 186 - 187
125	128,46	7,8	132	114	211	-	383	204	-	370	208	-	378		
140	144,75	6,9	132	102	201	-	366	194	-	353	199	-	361		
160	160,22	6,2	132	92	199	-	361	192	-	349	196	-	357		
180	180,52	5,5	132	81	190	-	345	183	-	333	187	-	341		
200	200,72	5,0	132	73	181	-	329	174	-	317	179	-	325		
224	226,17	4,4	132	65	173	-	315	167	-	303	171	-	311		
250	250,96	4,0	132	59	179	-	326	176	-	320	178	-	324		
280	282,77	3,5	132	52	171	-	311	168	-	305	170	-	309		
315	314,41	3,2	132	47	163	-	297	160	-	291	162	-	295		
355	354,27	2,8	132	42	156	-	284	153	-	278	155	-	282		
400	402,51	2,5	132	37	152	-	276	148	-	269	151	-	274		

Notes: (*) = Consult WEG.

(-) = Not available.

When the fan is installed on the input flange, PT is derated by 20%.

Selection tables

Parallel gearboxes

W15 P - 1,000 rpm

W15 - n1 = 1000 rpm														158 kNm	
iN	i _{ex}	n2 [rpm]	M2 [kNm]	P1 [kW]	PT - 20 °C [kW]									ST	Dimensions
					Mounting position - P1			Mounting position - P5			Mounting position - P4				
					PTG	PTV	PTC	PTG	PTV	PTC	PTG	PTV	PTC		
6,3	6,21	161	124	2155	564	835	1241	403	598	887	430	637	946	2	(P1) 154 - 155 (P5) 170 - 171 (P4) 182 - 183
7,1	7,25	138	137	2040	525	779	1156	384	569	845	409	607	901		
8	8,03	124	137	1841	550	815	1211	434	643	954	456	677	1005		
9	9,38	107	141	1623	510	757	1123	402	596	885	425	629	935		
10	9,85	101	141	1545	540	801	1189	451	668	992	470	697	1035		
11,2	11,50	87	152	1427	500	741	1100	419	622	923	438	649	963		
12,5	12,41	81	152	1322	513	760	1129	453	671	997	467	692	1027		
14	14,49	69	158	1177	475	704	1045	420	623	925	434	643	954		
16	15,53	64	158	1098	462	685	1017	427	633	939	436	646	959		
18	18,13	55	158	941	432	640	950	398	590	876	407	603	895		
20	19,34	52	128	725	338	501	763	316	469	713	326	483	735	3	(P1) 156 - 157 (P5) 172 - 173 (P4) 184 - 185
22,4	22,57	44	141	684	319	472	719	298	442	673	307	455	693		
25	24,37	41	153	688	331	490	746	313	464	706	321	475	724		
28	28,44	35	158	608	314	466	709	296	439	669	304	451	686		
31,5	31,29	32	158	553	314	465	708	302	447	681	307	455	693		
35,5	36,51	27	158	474	300	444	676	287	426	648	293	434	661		
40	39,14	26	158	442	290	429	653	279	413	629	284	421	641		
45	45,69	22	158	379	277	411	625	265	394	599	271	402	612		
50	48,88	20	158	354	250	371	565	245	363	553	248	367	559		
56	57,05	17	158	303	241	357	543	235	348	530	238	353	537		
63	61,16	16	158	283	241	357	543	235	348	530	238	353	537		
71	71,38	14	158	242	241	357	543	235	348	530	238	353	537		
80	80,50	12	158	215	234	347	529	229	339	516	232	344	523		
90	91,46	11	158	189	229	339	516	224	332	506	227	336	511		
100	98,71	9,9	158	178	240	-	541	235	-	530	238	-	537	4	(P1) 158 - 159 (P5) 174 - 175 (P4) 186 - 187
112	115,21	8,7	158	153	230	-	519	225	-	507	228	-	514		
125	129,92	7,7	158	135	224	-	506	218	-	492	222	-	500		
140	143,68	7,0	158	122	218	-	491	212	-	479	216	-	487		
160	162,03	6,2	158	109	212	-	478	206	-	465	210	-	473		
180	180,01	5,5	158	98	199	-	448	193	-	436	197	-	444		
200	203,00	4,9	158	87	194	-	437	188	-	424	192	-	432		
224	225,06	4,4	158	78	197	-	444	194	-	438	196	-	442		
250	253,80	3,9	158	69	191	-	432	189	-	426	190	-	430		
280	281,97	3,5	158	62	179	-	405	177	-	399	179	-	403		
315	317,98	3,1	158	55	175	-	395	172	-	388	174	-	393		
355	361,27	2,8	158	49	170	-	384	167	-	378	169	-	382		

Notes: (*) = Consult WEG.

(-) = Not available.

When the fan is installed on the input flange, PT is derated by 20%.

Selection tables

Parallel gearboxes

W16 P - 1,000 rpm

W16 - n1 = 1000 rpm														178 kNm	
iN	i _{ex}	n2 [rpm]	M2 [kNm]	P1 [kW]	PT - 20 °C [kW]									ST	Dimensions
					Mounting position - P1			Mounting position - P5			Mounting position - P4				
					PTG	PTV	PTC	PTG	PTV	PTC	PTG	PTV	PTC		
7,1	6,95	144	138	2143	566	839	951	400	593	672	427	632	717	2	(P1) 154 - 155 (P5) 170 - 171 (P4) 182 - 183
8	8,09	124	154	2055	529	784	889	386	573	649	412	610	692		
9	8,99	111	154	1849	555	823	933	437	648	734	460	682	772		
10	10,46	96	158	1630	515	764	865	406	602	682	428	635	719		
11,2	11,03	91	158	1546	547	810	918	455	675	764	474	703	797		
12,5	12,83	78	170	1430	505	749	848	424	629	712	442	655	743		
14	13,90	72	170	1321	519	769	872	458	679	769	472	700	793		
16	16,17	62	178	1188	480	712	806	425	630	714	438	650	736		
18	17,39	58	178	1105	468	694	786	432	641	726	441	654	741		
20	20,23	49	178	950	437	647	733	403	597	676	411	610	691		
22,4	21,65	46	140	708	344	510	588	321	475	549	331	490	566	3	(P1) 156 - 157 (P5) 172 - 173 (P4) 184 - 185
25	25,19	40	158	687	322	478	552	302	447	517	311	461	532		
28	27,28	37	172	691	335	497	574	317	470	543	325	482	556		
31,5	31,74	32	178	614	318	471	544	300	444	513	308	456	527		
35,5	35,02	29	178	557	318	471	544	306	453	523	311	461	533		
40	40,75	25	178	478	303	449	518	290	430	497	296	439	507		
45	43,82	23	178	445	293	435	502	282	418	483	288	427	493		
50	50,98	20	178	382	280	415	480	269	398	460	274	407	470		
56	54,72	18	178	356	254	376	434	248	368	425	251	372	430		
63	63,67	16	178	306	245	363	419	239	354	409	242	359	414		
71	68,46	15	178	285	254	376	434	239	354	409	242	359	414		
80	79,66	13	178	245	245	363	419	239	354	409	242	359	414		
90	89,83	11	178	217	239	354	408	233	345	398	236	350	404		
100	102,07	9,8	178	191	231	343	396	227	336	388	229	340	392		
112	110,49	8,9	178	179	243	-	416	238	-	407	241	-	412		
125	128,57	7,8	178	154	233	-	398	227	-	389	231	-	395		
140	144,98	6,9	178	137	227	-	388	221	-	378	224	-	384		
160	160,34	6,2	178	124	220	-	377	215	-	367	218	-	373		
180	180,82	5,5	178	110	214	-	367	208	-	357	212	-	363		
200	200,88	5,0	178	99	201	-	344	196	-	335	199	-	341		
224	226,54	4,4	178	88	196	-	335	190	-	326	194	-	332		
250	251,16	4,0	178	79	199	-	340	196	-	336	198	-	339		
280	283,23	3,5	178	70	194	-	331	191	-	327	193	-	330		
315	314,66	3,2	178	63	182	-	311	179	-	306	181	-	309		
355	354,84	2,8	178	56	177	-	303	174	-	298	176	-	301		
400	403,16	2,5	178	49	172	-	295	169	-	290	171	-	293		
														4	(P1) 158 - 159 (P5) 174 - 175 (P4) 186 - 187

Notes: (*) = Consult WEG.

(-) = Not available.

When the fan is installed on the input flange, PT is derated by 20%.

Selection tables

Right angle gearbox

W01 R/T - 1,800 rpm

W01 - n1 = 1800 rpm														7,5 kNm	
iN	i _{ex}	n2 [rpm]	M2 [kNm]	P1 [kW]	PT - 20 °C [kW]									ST	Dimensions
					Mounting position - P1			Mounting position - P5			Mounting position - P4 ¹⁾				
					PTG	PTV	PTC	PTG	PTV	PTC	PTG	PTV	PTC		
6,3	6,26	287	6,9	²⁰⁹	77	172	-	73	162	-	76	167	-	2	(P1) 160 - 161 (P5) 176 - 177 (P4) 188 - 189
7,1	7,25	248	7,5	195	74	164	-	70	155	-	72	160	-		
8	7,66	235	7,3	179	76	168	-	72	159	-	74	165	-		
9	8,86	203	7,5	160	72	159	-	68	151	-	71	157	-		
10	9,71	185	6,9	135	65	144	-	63	140	-	64	143	-		
11,2	11,23	160	7,5	126	62	138	-	60	134	-	62	137	-		
12,5	12,19	148	7,1	109	59	130	-	57	127	-	58	129	-		
14	14,10	128	7,5	100	56	124	-	55	122	-	56	123	-		
16	15,66	115	6,8	82	40	89	-	39	86	-	40	88	-		
18	18,12	99	7,5	78	38	85	-	37	83	-	38	84	-		
20	19,93	90	7,5	71	39	87	-	38	84	-	39	86	-		
22,4	23,06	78	7,5	61	38	83	-	37	81	-	37	82	-		
25	24,76	73	7,5	57	38	83	-	36	81	-	37	82	-		
28	28,64	63	7,5	49	36	80	-	35	77	-	36	79	-		
31,5	30,89	58	7,5	46	32	72	-	32	71	-	32	72	-		
35,5	35,73	50	7,5	40	31	69	-	31	69	-	31	69	-		
40	38,38	47	7,5	37	31	69	-	31	68	-	31	69	-		
45	44,39	41	7,5	32	30	67	-	30	66	-	30	66	-		
50	48,19	37	7,5	29	28	61	-	28	61	-	28	61	-		
56	55,74	32	7,5	25	27	59	-	27	59	-	27	59	-		
63	63,09	29	7,5	22	26	58	-	26	57	-	26	58	-		
71	70,49	26	7,5	20	25	54	-	25	54	-	25	54	-		
80	79,79	23	7,5	18	24	53	-	24	52	-	24	53	-		

Notes: (*) = Consult WEG.

(-) = Not available.

When the fan is installed on the input flange, PT is derated by 20%.

Right angle T only 3 and 4 stages.

1) Forced lubrication.

Selection tables

Right angle gearbox

W02 R/T - 1,800 rpm

W02 - n1 = 1800 rpm														9,5 kNm	
iN	i _{ex}	n2 [rpm]	M2 [kNm]	P1 [kW]	PT - 20 °C [kW]									ST	Dimensions
					Mounting position - P1			Mounting position - P5			Mounting position - P4 ¹⁾				
					PTG	PTV	PTC	PTG	PTV	PTC	PTG	PTV	PTC		
8	7,85	229	8,7	²⁰⁹	82	182	-	77	170	-	79	176	-	2	(P1) 160 - 161 (P5) 176 - 177 (P4) 188 - 189
9	9,03	199	9,5	198	78	174	-	73	163	-	76	169	-		
10	9,60	188	9,1	179	80	178	-	75	167	-	78	173	-		
11,2	11,04	163	9,5	162	76	169	-	72	159	-	74	165	-		
12,5	12,17	148	8,7	135	69	152	-	66	147	-	68	150	-		
14,2	14,00	129	9,5	128	66	145	-	64	141	-	65	144	-		
16	15,28	118	8,9	109	62	137	-	60	133	-	61	135	-		
18	17,58	102	9,5	102	59	131	-	58	128	-	58	130	-		
20	19,63	92	9,1	88	44	97	-	42	94	-	43	96	-	3	(P1) 162 - 163 (P1) 166 - 167 (P5) 178 - 179 (P4) 190 - 191 (P4) 194 - 195
22,4	22,58	80	9,5	79	42	93	-	41	90	-	41	92	-		
25	24,99	72	9,5	72	43	95	-	42	92	-	42	94	-		
28	28,74	63	9,5	62	41	91	-	40	88	-	41	90	-		
31,5	31,04	58	9,5	58	41	91	-	40	88	-	41	90	-		
35,5	35,70	50	9,5	50	39	87	-	38	84	-	39	86	-		
40	38,73	46	9,5	46	35	78	-	35	78	-	35	78	-		
45	44,55	40	9,5	40	34	76	-	34	75	-	34	75	-		
50	48,10	37	9,5	37	34	75	-	34	74	-	34	75	-		
56	55,33	33	9,5	32	33	72	-	32	72	-	33	72	-		
63	60,40	30	9,5	30	30	67	-	30	66	-	30	67	-		
71	69,48	26	9,5	26	29	64	-	29	64	-	29	64	-		
80	78,65	23	9,5	23	28	63	-	28	62	-	28	63	-		
90	87,87	20	9,5	20	27	59	-	27	59	-	27	59	-		
100	99,46	18	9,5	18	26	57	-	26	57	-	26	57	-		

Notes: (*) = Consult WEG.

(-) = Not available.

When the fan is installed on the input flange, PT is derated by 20%.

Right angle T only 3 and 4 stages.

1) Forced lubrication.

Selection tables

Right angle gearbox

W03 R/T - 1,800 rpm

W03 - n1 = 1800 rpm														13 kNm	
iN	i _{ex}	n2 [rpm]	M2 [kNm]	P1 [kW]	PT - 20 °C [kW]									ST	Dimensions
					Mounting position - P1			Mounting position - P5			Mounting position - P4 ¹⁾				
					PTG	PTV	PTC	PTG	PTV	PTC	PTG	PTV	PTC		
6,3	6,26	287	10,8	³²⁴	108	240	287	98	217	260	104	230	275	2	(P1) 160 - 161 (P5) 176 - 177 (P4) 188 - 189
7,1	7,25	248	12,2	317	103	229	274	94	209	251	100	221	265		
8	7,64	236	12,0	297	106	235	282	98	216	259	103	228	274		
9	8,84	204	12,7	271	101	223	267	93	205	246	98	218	260		
10	9,71	185	12,4	241	95	210	252	90	200	239	93	207	248		
11,2	11,23	160	13,0	218	90	200	240	86	190	227	89	197	236		
12,5	12,19	148	11,6	180	83	184	220	80	178	213	82	182	218		
14,2	14,10	128	13,0	174	79	176	210	77	170	204	79	174	208		
16	15,66	115	12,8	154	56	124	155	54	120	149	55	122	152	3	(P1) 162 - 163 (P1) 166 - 167 (P5) 178 - 179 (P4) 190 - 191 (P4) 194 - 195
18	18,12	99	13,0	135	54	119	149	52	115	143	53	117	146		
20	19,93	90	13,0	123	54	120	149	52	116	144	54	119	147		
22,4	23,06	78	13,0	106	52	115	144	50	111	137	51	114	141		
25	24,69	73	13,0	99	52	115	143	50	110	137	51	114	141		
28	28,56	63	13,0	86	50	111	138	48	106	131	49	109	135		
31,5	30,89	58	13,0	79	47	103	128	46	101	126	46	102	127		
35,5	35,73	50	13,0	69	45	99	123	44	97	121	45	99	123		
40	38,27	47	13,0	64	45	99	123	44	97	121	44	98	122		
45	44,26	41	13,0	55	43	95	118	42	93	116	43	95	118		
50	48,05	37	13,0	51	39	87	108	39	86	107	39	87	108		
56	55,58	32	13,0	44	38	84	104	38	83	103	38	84	104		
63	63,46	28	13,0	39	38	84	105	38	83	103	38	84	104		
71	70,29	26	13,0	35	35	79	98	35	78	97	35	78	97		
80	80,26	22	13,0	31	35	78	97	35	77	96	35	78	97		
90	90,44	20	13,0	27	34	-	94	34	-	92	34	-	93	4	(P1) 164 - 165 (P1) 168 - 169 (P5) 160 - 161 (P4) 192 - 193 (P4) 196 - 197
100	103,26	17	13,0	24	34	-	93	33	-	91	33	-	92		
112	112,65	16	13,0	22	32	-	89	32	-	88	32	-	88		
125	128,62	14	13,0	19	32	-	88	31	-	87	32	-	87		
142	140,16	13	13,0	17	30	-	83	30	-	82	30	-	82		
160	160,04	11	13,0	15	30	-	82	30	-	81	30	-	82		
180	174,59	10	13,0	14	28	-	78	28	-	78	28	-	78		
200	199,35	9	13,0	12	28	-	77	28	-	77	28	-	77		
224	219,23	8	13,0	11	25	-	68	25	-	68	25	-	68		
250	250,32	7	13,0	10	24	-	67	24	-	67	24	-	67		
280	284,06	6	13,0	9	24	-	67	24	-	67	24	-	67		
315	316,58	6	13,0	8	24	-	66	24	-	66	24	-	66		
355	359,25	5	13,0	7	24	-	65	24	-	65	24	-	65		

Notes: (*) = Consult WEG.

(-) = Not available.

When the fan is installed on the input flange, PT is derated by 20%.

Right angle T only 3 and 4 stages.

1) Forced lubrication.

Selection tables

Right angle gearbox

W04 R/T - 1,800 rpm

W04 - n1 = 1800 rpm														16,5 kNm	
iN	i _{ex}	n2 [rpm]	M2 [kNm]	P1 [kW]	PT - 20 °C [kW]									ST	Dimensions
					Mounting position - P1			Mounting position - P5			Mounting position - P4 ¹⁾				
					PTG	PTV	PTC	PTG	PTV	PTC	PTG	PTV	PTC		
8	7,85	229	13,5	³²⁴	121	269	303	109	241	271	115	255	287	2	(P1) 160 - 161 (P5) 176 - 177 (P4) 188 - 189
9	9,03	199	15,2	317	116	256	288	105	232	262	111	246	277		
10	9,58	188	15,1	297	119	264	297	109	241	271	115	255	287		
11,2	11,02	163	15,8	271	113	250	282	103	229	258	109	242	273		
12,5	12,17	148	15,5	241	106	236	266	101	223	251	104	231	260		
14,2	14,00	129	16,3	220	101	224	252	96	212	239	99	220	248		
16	15,28	118	14,6	180	93	206	232	90	199	224	92	203	229		
18	17,58	102	16,5	177	89	196	221	86	190	214	88	194	219		
20	19,63	92	16,1	154	61	135	161	59	130	155	60	133	158	3	(P1) 162 - 163 (P1) 166 - 167 (P5) 178 - 179 (P4) 190 - 191 (P4) 194 - 195
22,4	22,58	80	16,5	138	58	129	154	56	124	148	57	127	152		
25	24,99	72	16,5	124	59	130	155	57	125	149	58	129	153		
28	28,74	63	16,5	108	56	125	149	54	120	143	56	123	147		
31,5	30,95	58	16,5	100	56	125	149	54	120	143	56	123	147		
35,5	35,60	51	16,5	87	54	120	143	52	114	136	53	118	141		
40	38,73	46	16,5	80	50	111	133	49	109	130	50	111	132		
45	44,55	40	16,5	70	48	107	128	47	105	125	48	106	127		
50	47,97	38	16,5	65	48	107	127	47	105	125	48	106	126		
56	55,18	33	16,5	56	46	103	122	45	100	120	46	102	122		
63	60,23	30	16,5	52	42	94	112	42	93	111	42	93	111		
71	69,28	26	16,5	45	41	90	108	40	89	107	41	90	107		
80	79,11	23	16,5	39	41	91	108	40	90	107	41	90	108		
90	87,62	21	16,5	35	38	84	101	38	84	100	38	84	100		
100	100,05	18	16,5	31	38	84	100	38	83	99	38	84	100		
112	112,74	16	16,5	28	37	-	96	37	-	97	37	-	97	4	(P1) 164 - 165 (P1) 168 - 169 (P5) 160 - 161 (P4) 192 - 193 (P4) 196 - 197
125	128,72	14	16,5	24	36	-	96	36	-	96	36	-	96		
142	140,43	13	16,5	22	35	-	91	35	-	92	35	-	92		
160	160,34	11	16,5	19	34	-	90	34	-	90	35	-	91		
180	174,73	10	16,5	18	32	-	85	32	-	85	32	-	86		
200	199,50	9	16,5	16	32	-	84	32	-	85	32	-	85		
224	217,64	8	16,5	14	31	-	81	31	-	81	31	-	81		
250	248,50	7	16,5	13	30	-	80	30	-	80	30	-	80		
280	273,29	7	16,5	11	26	-	70	27	-	70	27	-	70		
315	312,04	6	16,5	10	26	-	69	26	-	70	26	-	70		
355	354,10	5	16,5	9	26	-	69	26	-	69	26	-	69		
400	394,63	5	16,5	8	26	-	68	26	-	68	26	-	68		
450	447,84	4	16,5	7	26	-	67	25	-	67	25	-	67		

Notes: (*) = Consult WEG.

(-) = Not available.

When the fan is installed on the input flange, PT is derated by 20%.

Right angle T only 3 and 4 stages.

1) Forced lubrication.

Selection tables

Right angle gearbox

W05 R/T - 1,800 rpm

W05 - n1 = 1800 rpm														22 kNm	
iN	i _{ex}	n2 [rpm]	M2 [kNm]	P1 [kW]	PT - 20 °C [kW]									ST	Dimensions
					Mounting position - P1			Mounting position - P5			Mounting position - P4 ¹⁾				
					PTG	PTV	PTC	PTG	PTV	PTC	PTG	PTV	PTC		
6,3	6,26	287	20,8	626	172	381	368	144	319	309	159	352	341	2	(P1) 160 - 161 (P5) 176 - 177 (P4) 188 - 189
7,1	7,25	248	22	572	160	355	343	135	300	290	150	332	321		
8	7,64	236	21,8	540	158	350	340	136	302	293	149	331	321		
9	8,84	204	22	469	148	329	318	127	283	273	141	312	302		
10	9,71	185	21,1	410	136	301	291	125	278	268	132	292	283		
11,2	11,23	160	22	369	127	283	273	118	260	252	124	275	266		
12,5	12,19	148	19,6	303	115	256	248	110	243	235	113	251	243		
14	14,10	128	22	294	109	242	234	104	231	224	108	239	231		
16	16,03	112	19,2	236	93	206	199	87	193	187	94	207	201	3	(P1) 162 - 163 (P1) 166 - 167 (P5) 178 - 179 (P4) 190 - 191 (P4) 194 - 195
18	18,54	97	22	234	89	196	190	83	184	179	89	197	191		
20	20,22	89	22	215	90	199	193	85	189	183	91	201	194		
22,4	23,39	77	22	185	87	192	186	82	181	175	88	194	188		
25	25,10	72	22	173	90	199	193	85	188	182	90	200	194		
28	29,04	62	22	149	86	192	185	82	181	175	87	193	187		
31,5	30,89	58	22	140	71	156	151	69	154	149	71	157	152		
35,5	35,73	50	22	121	69	152	147	67	149	144	69	152	147		
40	38,35	47	22	113	69	152	147	67	149	144	69	152	147		
45	44,36	41	22	98	67	147	143	65	144	140	67	148	143		
50	48,16	37	22	90	62	136	132	61	134	130	62	137	132		
56	55,70	32	22	78	60	132	128	59	130	126	60	132	128		
63	63,46	28	22	68	62	136	132	61	134	130	62	137	132		
71	70,45	26	22	62	55	122	118	55	121	117	55	123	119		
80	80,26	22	22	54	54	118	115	53	117	113	54	119	115		
90	91,07	20	22	48	60	-	128	58	-	124	60	-	128	4	(P1) 164 - 165 (P1) 168 - 169 (P5) 160 - 161 (P4) 192 - 193 (P4) 196 - 197
100	103,75	17	22	43	58	-	123	56	-	119	58	-	124		
112	113,13	16	22	39	57	-	123	55	-	119	57	-	123		
125	128,88	14	22	34	55	-	118	53	-	114	55	-	119		
140	141,15	13	22	31	51	-	108	50	-	107	51	-	108		
160	160,80	11,2	22	27	49	-	105	48	-	103	49	-	105		
180	175,33	10,3	22	25	49	-	104	48	-	103	49	-	104		
200	199,75	9,0	22	22	47	-	100	46	-	99	47	-	101		
224	220,16	8,2	22	20	45	-	97	45	-	97	45	-	97		
250	250,82	7,2	22	18	44	-	94	44	-	94	44	-	94		
280	283,90	6,3	22	16	41	-	88	41	-	87	41	-	88		
315	317,21	5,7	22	14	39	-	83	39	-	83	39	-	83		
355	359,05	5,0	22	12	38	-	81	37	-	80	38	-	81		

Notes: (*) = Consult WEG.

(-) = Not available.

When the fan is installed on the input flange, PT is derated by 20%.

Right angle T only 3 and 4 stages.

1) Forced lubrication.

Selection tables

Right angle gearbox

W06 R/T - 1,800 rpm

W06 - n1 = 1800 rpm														28 kNm	
iN	i _{ex}	n2 [rpm]	M2 [kNm]	P1 [kW]	PT - 20 °C [kW]									ST	Dimensions
					Mounting position - P1			Mounting position - P5			Mounting position - P4 ¹⁾				
					PTG	PTV	PTC	PTG	PTV	PTC	PTG	PTV	PTC		
8	7,85	229	26,1	626	193	429	391	160	355	323	176	391	356	2	(P1) 160 - 161 (P5) 176 - 177 (P4) 188 - 189
9	9,03	199	27,7	579	180	400	365	151	335	305	167	370	337		
10	9,58	188	27,4	540	180	398	363	153	340	310	168	373	340		
11,2	11,02	163	28	479	167	371	338	143	317	289	158	349	319		
12,5	12,17	148	26,5	410	153	340	310	140	311	284	148	328	299		
14	14,00	129	28	377	144	318	290	132	293	267	139	309	281		
16	15,28	118	24,6	303	130	288	263	123	273	249	127	282	257		
18	17,58	102	28	300	123	273	249	117	260	237	121	268	245		
20	20,09	90	24	236	100	221	207	93	207	193	100	222	208	3	(P1) 162 - 163 (P1) 166 - 167 (P5) 178 - 179 (P4) 190 - 191 (P4) 194 - 195
22,4	23,11	78	27	230	95	210	197	89	197	185	96	212	198		
25	25,35	71	28	218	96	214	200	91	202	189	97	215	201		
28	29,16	62	28	189	93	206	192	87	194	181	94	207	194		
31,5	31,47	57	28	175	96	214	200	91	202	189	97	215	201		
35,5	36,19	50	28	153	93	205	192	87	193	181	93	206	193		
40	38,73	46	28	143	76	167	157	74	165	154	76	168	157		
45	44,55	40	28	124	73	162	152	72	159	149	73	163	152		
50	48,08	37	28	115	74	163	152	72	160	149	74	163	153		
56	55,30	33	28	100	71	158	147	70	154	144	71	158	148		
63	60,37	30	28	91	66	146	136	65	144	135	66	146	137		
71	69,44	26	28	79	64	141	132	63	139	130	64	142	133		
80	79,11	23	28	70	61	135	126	60	134	125	61	135	127		
90	87,82	20	28	63	59	131	122	59	130	121	59	131	123		
100	100,05	18	28	55	57	127	119	57	125	117	57	127	119		
112	113,53	16	28	49	64	-	132	62	-	128	64	-	132	4	(P1) 164 - 165 (P1) 168 - 169 (P5) 160 - 161 (P4) 192 - 193 (P4) 196 - 197
125	129,34	14	28	43	62	-	128	60	-	123	62	-	128		
140	141,02	13	28	40	61	-	127	59	-	123	61	-	127		
160	160,66	11	28	35	59	-	122	57	-	118	59	-	123		
180	175,95	10	28	32	54	-	112	53	-	111	54	-	112		
200	200,45	9,0	28	28	52	-	108	52	-	107	52	-	108		
224	218,57	8,2	28	26	52	-	107	51	-	106	52	-	108		
250	249,00	7,2	28	23	50	-	104	49	-	102	50	-	104		
280	274,45	6,6	28	20	47	-	97	46	-	96	47	-	97		
315	312,66	5,8	28	18	45	-	93	45	-	93	45	-	94		
355	353,90	5,1	28	16	44	-	91	44	-	90	44	-	91		
400	395,43	4,6	28	14	42	-	86	41	-	86	42	-	86		
450	447,58	4,0	28	13	40	-	83	40	-	83	40	-	83		

Notes: (*) = Consult WEG.

(-) = Not available.

When the fan is installed on the input flange, PT is derated by 20%.

Right angle T only 3 and 4 stages.

1) Forced lubrication.

Selection tables

Right angle gearbox

W07 R/T - 1,800 rpm

W07 - n1 = 1800 rpm														36 kNm	
iN	i _{ex}	n2 [rpm]	M2 [kNm]	P1 [kW]	PT - 20 °C [kW]									ST	Dimensions
					Mounting position - P1			Mounting position - P5			Mounting position - P4 ¹⁾				
					PTG	PTV	PTC	PTG	PTV	PTC	PTG	PTV	PTC		
6,3	6,35	283	29,7	880	275	610	481	206	456	360	240	533	421	2	(P1) 160 - 161 (P5) 176 - 177 (P4) 188 - 189
7,1	7,35	245	31,8	814	257	570	450	195	432	341	229	507	400		
8	7,64	236	31,1	767	257	570	450	201	445	352	233	516	407		
9	8,84	204	33,3	710	240	533	421	189	420	332	220	488	385		
10	9,71	185	31,8	617	224	497	392	192	426	336	212	469	370		
11,2	11,23	160	33,9	569	210	466	368	181	401	316	200	442	349		
12,5	12,19	148	32,6	504	195	432	341	176	390	308	188	417	329		
14	14,10	128	34,9	466	183	407	321	166	368	291	178	394	311		
16	15,89	113	31	385	147	326	261	131	289	232	150	331	266		
18	18,38	98	35	376	140	310	249	125	277	222	142	315	253		
20	19,89	90	36	357	141	311	250	127	281	226	143	316	253		
22,4	23,01	78	36	308	134	297	239	121	269	216	136	302	242		
25	25,05	72	36	283	126	279	224	119	264	212	127	281	226		
28	28,97	62	36	245	122	270	216	115	254	204	123	272	218		
31,5	30,39	59	36	234	111	246	197	107	237	190	112	247	198		
35,5	35,16	51	36	202	108	238	191	104	229	184	108	240	192		
40	38,27	47	36	185	104	231	186	101	223	179	105	233	187		
45	44,26	41	36	160	101	224	180	97	215	173	102	226	181		
50	48,05	37	36	148	92	203	163	90	199	160	92	204	164		
56	55,58	32	36	128	89	198	159	87	193	155	90	198	159		
63	63,88	28	36	111	85	187	150	83	185	148	85	188	151		
71	70,29	26	36	101	82	182	146	81	179	144	82	183	146		
80	80,78	22	36	88	81	180	144	80	177	142	81	180	145		
90	90,87	20	36	79	89	-	158	85	-	150	89	-	158		
100	104,43	17	36	69	88	-	156	83	-	148	88	-	156		
112	112,56	16	36	64	85	-	151	81	-	144	86	-	152		
125	129,36	14	36	56	84	-	149	79	-	141	85	-	150		
140	140,84	13	36	51	77	-	137	75	-	134	77	-	137		
160	161,86	11,1	36	45	76	-	135	74	-	132	76	-	136		
180	174,45	10,3	36	41	74	-	132	72	-	128	74	-	132		
200	200,48	9,0	36	36	73	-	130	71	-	126	73	-	130		
224	219,05	8,2	36	33	66	-	118	66	-	116	66	-	118		
250	251,74	7,2	36	29	65	-	116	65	-	115	66	-	116		
280	287,44	6,3	36	25	65	-	115	64	-	114	65	-	115		
315	318,38	5,7	36	23	61	-	108	60	-	107	61	-	108		
355	363,52	5,0	36	20	60	-	106	59	-	105	60	-	106		

Notes: (*) = Consult WEG.

(-) = Not available.

When the fan is installed on the input flange, PT is derated by 20%.

Right angle T only 3 and 4 stages.

1) Forced lubrication.

Selection tables

Right angle gearbox

W08 R/T - 1,800 rpm

W08 - n1 = 1800 rpm														46 kNm	
iN	i _{ex}	n2 [rpm]	M2 [kNm]	P1 [kW]	PT - 20 °C [kW]									ST	Dimensions
					Mounting position - P1			Mounting position - P5			Mounting position - P4 ¹⁾				
					PTG	PTV	PTC	PTG	PTV	PTC	PTG	PTV	PTC		
8	7,97	226	37,2	880	288	638	493	211	467	361	245	544	421	2	(P1) 160 - 161 (P5) 176 - 177 (P4) 188 - 189
9	9,16	196	39,6	814	269	596	461	201	445	344	235	521	403		
10	9,58	188	39,0	767	270	598	462	208	461	357	240	532	412		
11,2	11,02	163	41,5	710	252	558	432	197	436	337	228	505	391		
12,5	12,17	148	39,8	617	236	522	404	200	444	343	220	488	378		
14	14,00	129	42,3	569	221	489	379	189	418	324	208	462	357		
16	15,28	118	40,9	504	205	454	351	184	409	316	197	436	338		
18	17,58	102	43,5	466	193	427	330	174	386	298	186	412	319		
20	19,92	90	38	376	152	336	265	137	303	238	154	341	269	3	(P1) 162 - 163 (P1) 166 - 167 (P5) 178 - 179 (P4) 190 - 191 (P4) 194 - 195
22,4	22,91	79	43	370	145	321	253	131	289	228	147	326	257		
25	24,94	72	46	364	146	322	254	133	294	232	148	327	257		
28	28,68	63	46	316	140	310	244	127	280	221	142	315	248		
31,5	31,40	57	46	289	131	291	229	124	275	217	132	293	231		
35,5	36,11	50	46	251	127	281	221	119	264	208	128	283	223		
40	38,10	47	46	238	116	256	202	112	248	195	116	258	203		
45	43,83	41	46	207	112	248	196	108	239	188	113	249	197		
50	47,97	38	46	189	109	241	190	105	233	183	110	243	191		
56	55,18	33	46	164	106	234	184	101	224	177	106	235	185		
63	60,23	30	46	151	96	212	167	94	208	164	96	213	168		
71	69,28	26	46	131	93	206	162	91	201	158	93	207	163		
80	79,63	23	46	114	88	196	154	87	193	152	89	196	154	4	(P1) 164 - 165 (P1) 168 - 169 (P5) 160 - 161 (P4) 192 - 193 (P4) 196 - 197
90	87,62	21	46	104	86	190	150	84	187	147	86	190	150		
100	100,70	18	46	92	85	188	148	83	185	145	85	188	148		
112	113,28	16	46	81	92	-	161	88	-	154	93	-	162		
125	130,18	14	46	71	91	-	159	87	-	151	92	-	160		
140	140,31	13	46	66	89	-	155	84	-	147	89	-	156		
160	161,25	11	46	57	88	-	153	83	-	145	88	-	154		
180	175,56	10	46	53	80	-	140	79	-	137	80	-	140		
200	201,76	8,9	46	46	79	-	138	78	-	135	80	-	139		
224	217,46	8,3	46	42	77	-	135	75	-	132	77	-	135		
250	249,92	7,2	46	37	76	-	133	74	-	130	76	-	133		
280	273,06	6,6	46	34	69	-	121	68	-	119	69	-	121		
315	313,82	5,7	46	29	68	-	119	67	-	118	68	-	119		
355	358,31	5,0	46	26	68	-	118	67	-	116	68	-	118		
400	396,89	4,5	46	23	64	-	111	63	-	110	64	-	111		
450	453,16	4,0	46	20	62	-	109	62	-	108	62	-	109		

Notes: (*) = Consult WEG.
 (-) = Not available.
 When the fan is installed on the input flange, PT is derated by 20%.
 Right angle T only 3 and 4 stages.
 1) Forced lubrication.

Selection tables

Right angle gearbox

W09 R/T - 1,800 rpm

W09 - n1 = 1800 rpm														58.5 kNm	
iN	i _{ex}	n2 [rpm]	M2 [kNm]	P1 [kW]	PT - 20 °C [kW]									ST	Dimensions
					Mounting position - P1			Mounting position - P5			Mounting position - P4 ¹⁾				
					PTG	PTV	PTC	PTG	PTV	PTC	PTG	PTV	PTC		
6,3	6,35	283	44,17	1.310	298	661	537	210	466	379	249	551	447	2	(P1) 160 - 161 (P5) 176 - 177 (P4) 188 - 189
7,1	7,35	245	51,09	1.310	282	626	508	207	459	372	244	541	439		
8	7,64	236	53,5	1.319	281	623	506	212	469	381	248	551	447		
9	8,84	204	58,5	1.246	264	586	475	202	448	364	237	526	427		
10	9,71	185	54,86	1.065	244	541	439	204	453	368	227	504	409		
11,2	11,23	160	58,5	980	230	509	413	193	428	348	216	478	388		
12,5	12,19	148	58,14	899	215	477	387	191	424	344	206	457	371		
14	14,10	128	58,5	781	202	448	364	179	396	322	194	430	349		
16	15,79	114	50	624	164	363	298	144	320	262	167	371	304		
18	18,26	99	57	605	157	347	285	139	308	252	160	354	290		
20	19,69	91	58,5	586	157	348	286	141	313	257	160	355	291		
22,4	22,77	79	58,5	506	152	336	275	135	299	245	155	342	281		
25	24,67	73	58,5	468	150	331	272	136	302	248	152	337	276		
28	28,53	63	58,5	404	144	319	262	130	288	237	147	326	267		
31,5	30,52	59	58,5	378	130	289	237	124	275	225	132	291	239		
35,5	35,30	51	58,5	327	126	280	230	120	265	217	128	283	232		
40	38,23	47	58,5	302	123	272	223	116	257	211	124	274	225		
45	44,22	41	58,5	261	119	263	216	112	248	203	120	266	218		
50	48,01	37	58,5	240	108	238	196	104	231	190	108	240	197		
56	55,53	32	58,5	208	105	232	190	101	224	183	105	233	191		
63	63,09	29	58,5	183	99	219	179	97	214	176	99	219	180		
71	70,23	26	58,5	164	96	212	174	94	208	171	96	213	175		
80	79,79	23	58,5	145	95	210	172	93	205	168	95	211	173		
90	90,78	20	58,5	129	104	-	190	100	-	181	105	-	190		
100	103,15	17	58,5	114	103	-	188	98	-	178	104	-	188		
112	112,70	16	58,5	104	101	-	184	97	-	175	102	-	185		
125	128,05	14	58,5	92	100	-	182	95	-	172	101	-	183		
140	140,70	13	58,5	83	90	-	164	88	-	161	91	-	164		
160	159,86	11,3	58,5	73	89	-	162	87	-	158	90	-	163		
180	174,67	10,3	58,5	67	88	-	159	86	-	156	88	-	160		
200	198,46	9,1	58,5	59	87	-	157	84	-	153	87	-	158		
224	219,33	8,2	58,5	53	80	-	146	79	-	143	80	-	146		
250	249,20	7,2	58,5	47	79	-	144	78	-	141	79	-	144		
280	283,90	6,3	58,5	41	77	-	140	75	-	137	77	-	141		
315	315,17	5,7	58,5	37	74	-	134	73	-	133	74	-	134		
355	359,05	5,0	58,5	33	72	-	130	70	-	128	72	-	130		

Notes: (*) = Consult WEG.

(-) = Not available.

When the fan is installed on the input flange, PT is derated by 20%.

Right angle T only 3 and 4 stages.

1) Forced lubrication.

Selection tables

Right angle gearbox

W10 R/T - 1,800 rpm

W10 - n1 = 1800 rpm														67 kNm	
iN	i _{ex}	n2 [rpm]	M2 [kNm]	P1 [kW]	PT - 20 °C [kW]									ST	Dimensions
					Mounting position - P1			Mounting position - P5			Mounting position - P4 ¹⁾				
					PTG	PTV	PTC	PTG	PTV	PTC	PTG	PTV	PTC		
7,1	7,16	251	49,77	1.310	308	682	546	214	473	379	252	558	447	2	(P1) 160 - 161 (P5) 176 - 177 (P4) 188 - 189
8	8,26	218	57,39	1.310	291	645	517	211	468	375	248	550	441		
9	8,61	209	60,28	1.319	291	644	516	217	480	385	254	563	451		
10	9,93	181	67	1272	273	606	485	208	462	370	244	541	433		
11,2	10,94	165	61,81	1065	252	559	448	210	466	373	234	518	415		
12,5	12,62	143	67	1001	238	527	422	200	443	355	222	493	395		
14	13,74	131	65,51	899	223	494	395	197	437	350	213	471	377		
16	15,84	114	67	797	209	464	372	185	410	329	201	445	356		
18	17,79	101	56	621	154	340	276	134	296	240	157	349	283		
20	20,51	88	64	615	147	325	264	128	284	231	150	333	270		
22,4	22,18	81	67	595	165	366	297	149	330	268	168	372	302		
25	25,58	70	67	516	159	353	286	143	317	257	162	359	292		
28	27,79	65	67	475	153	340	276	140	310	251	156	345	280		
31,5	32,05	56	67	412	148	328	266	134	296	240	151	334	271		
35,5	34,38	52	67	384	134	296	240	127	282	229	135	299	243		
40	39,65	45	67	333	130	287	233	123	272	220	131	290	235		
45	43,08	42	67	307	126	279	226	119	264	214	127	281	228		
50	49,67	36	67	266	122	270	219	115	254	206	123	273	221		
56	54,09	33	67	244	110	245	199	107	237	192	111	246	200		
63	62,37	29	67	212	107	238	193	104	229	186	108	239	194		
71	70,87	25	67	186	101	224	182	99	220	179	102	225	183		
80	78,88	23	67	167	98	218	177	96	213	173	99	218	177		
90	89,63	20	67	147	97	215	175	95	210	171	98	216	175		
100	101,98	18	67	132	107	-	192	102	-	184	107	-	193		
112	115,86	16	67	116	106	-	190	101	-	181	106	-	191		
125	126,60	14	67	106	104	-	187	99	-	178	104	-	187		
140	143,84	13	67	93	103	-	185	97	-	175	103	-	185		
160	158,05	11	67	85	93	-	166	91	-	163	93	-	167		
180	179,57	10,0	67	75	92	-	165	89	-	161	92	-	165		
200	196,21	9,2	67	68	90	-	162	88	-	158	90	-	162		
224	222,93	8,1	67	60	89	-	160	86	-	155	89	-	160		
250	246,38	7,3	67	55	82	-	148	81	-	145	82	-	148		
280	279,93	6,4	67	48	81	-	146	80	-	143	81	-	146		
315	318,90	5,6	67	42	79	-	142	77	-	139	79	-	143		
355	354,02	5,1	67	38	76	-	136	75	-	135	76	-	136		
400	403,32	4,5	67	33	73	-	132	72	-	130	73	-	132		

Notes: (*) = Consult WEG.

(-) = Not available.

When the fan is installed on the input flange, PT is derated by 20%.

Right angle T only 3 and 4 stages.

1) Forced lubrication.

Selection tables

Right angle gearbox

W11 R/T - 1,800 rpm

W11 - n1 = 1800 rpm ¹⁾														80 kNm	
iN	i _{ex}	n2 [rpm]	M2 [kNm]	P1 [kW]	PT - 20 °C [kW]									ST	Dimensions
					Mounting position - P1			Mounting position - P5			Mounting position - P4 ²⁾				
					PTG	PTV	PTC	PTG	PTV	PTC	PTG	PTV	PTC		
6,3	6,35	283	58,27	1728	353	781	578	232	514	380	282	625	463	2	(P1) 160 - 161 (P5) 176 - 177 (P4) 188 - 189
7,1	7,35	245	66,23	1698	336	744	551	229	508	376	280	620	459		
8	7,64	236	65,69	1620	335	742	550	216	479	354	279	618	458		
9	8,84	204	70,37	1500	316	699	518	206	456	337	268	593	439		
10	9,71	185	67,19	1304	292	647	479	219	486	360	262	581	430		
11,2	11,23	160	71,76	1204	276	611	452	208	461	341	250	554	410		
12,5	12,19	148	68,70	1062	251	557	412	214	474	351	237	525	389		
14	14,10	128	73,61	984	238	528	391	203	450	333	226	501	371		
16	15,89	113	70	869	211	468	350	174	386	288	220	487	364	3	(P1) 162 - 163 (P1) 166 - 167 (P5) 178 - 179 (P4) 190 - 191 (P4) 194 - 195
18	18,38	98	78	837	202	448	334	168	373	278	210	465	347		
20	20,22	89	80	780	203	449	335	171	378	282	210	466	348		
22,4	23,39	77	80	674	195	432	323	162	358	267	203	450	336		
25	24,75	73	80	637	192	425	317	165	365	273	199	440	328		
28	28,63	63	80	551	185	410	306	157	347	259	192	425	317		
31,5	30,89	58	80	511	171	378	282	155	343	256	174	386	288		
35,5	35,73	50	80	441	165	366	273	148	328	245	169	374	280		
40	37,82	48	80	417	161	357	267	145	322	240	165	366	273		
45	43,74	41	80	361	156	345	258	139	307	229	160	354	265		
50	47,48	38	80	332	144	318	238	134	296	221	146	324	242		
56	54,92	33	80	287	139	309	230	129	285	213	142	314	235		
63	63,05	29	80	250	130	289	215	126	279	208	131	291	217		
71	69,46	26	80	227	126	280	209	122	269	201	128	282	211		
80	79,73	23	80	198	122	270	202	117	259	193	123	272	203		
90	88,35	20	80	182	136	-	224	124	-	205	137	-	226	4	(P1) 164 - 165 (P1) 168 - 169 (P5) 160 - 161 (P4) 192 - 193 (P4) 196 - 197
100	101,41	18	80	158	131	-	216	119	-	196	132	-	218		
112	111,23	16	80	144	129	-	214	118	-	195	130	-	215		
125	127,68	14	80	126	124	-	205	112	-	186	125	-	207		
140	136,93	13	80	117	120	-	198	114	-	188	120	-	199		
160	157,17	11,5	80	102	115	-	191	109	-	180	116	-	192		
180	172,39	10,4	80	93	114	-	188	108	-	178	114	-	189		
200	197,88	9,1	80	81	109	-	181	103	-	170	110	-	182		
224	216,47	8,3	80	74	102	-	169	99	-	164	103	-	170		
250	248,47	7,2	80	65	99	-	163	95	-	157	99	-	164		
280	285,56	6,3	80	56	97	-	160	93	-	154	97	-	161		
315	314,25	5,7	80	51	92	-	151	89	-	148	92	-	152		
355	361,15	5,0	80	44	89	-	148	87	-	144	90	-	148		

Notes: (*) = Consult WEG.

(-) = Not available.

When the fan is installed on the input flange, PT is derated by 20%.

Right angle T only 3 and 4 stages.

1) 2-stage gearboxes maximum permissible speed 1,500 rpm.

2) Forced lubrication.

Selection tables

Right angle gearbox

W12 R/T - 1,800 rpm

W12 - n1 = 1800 rpm ¹⁾														92 kNm	
iN	i _{ex}	n2 [rpm]	M2 [kNm]	P1 [kW]	PT - 20 °C [kW]									ST	Dimensions
					Mounting position - P1			Mounting position - P5			Mounting position - P4 ²⁾				
					PTG	PTV	PTC	PTG	PTV	PTC	PTG	PTV	PTC		
7,1	7,16	251	65,66	1728	361	801	586	234	518	379	283	627	459	2	(P1) 160 - 161 (P5) 176 - 177 (P4) 188 - 189
8	8,26	218	74,41	1699	344	763	559	232	515	377	282	626	458		
9	8,61	209	74,05	1621	344	763	559	220	487	357	283	627	459		
10	9,93	181	79,09	1501	324	719	526	210	465	341	273	604	442		
11,2	10,94	165	75,78	1306	301	666	488	224	497	364	268	593	434		
12,5	12,62	143	80,68	1205	284	629	460	213	472	346	256	567	415		
14	13,74	131	77,47	1063	259	574	420	219	486	356	243	539	394		
16	15,84	114	82,74	984	245	544	398	209	462	339	232	514	376		
18	17,90	101	78	859	215	476	353	177	391	290	224	495	367	3	(P1) 162 - 163 (P1) 166 - 167 (P5) 178 - 179 (P4) 190 - 191 (P4) 194 - 195
20	20,64	87	88	840	205	454	337	171	378	281	213	472	351		
22,4	22,78	79	92	796	206	456	338	174	385	286	213	472	351		
25	26,27	69	92	690	198	439	326	165	364	271	206	456	339		
28	27,89	65	92	650	195	432	320	168	372	276	201	446	331		
31,5	32,16	56	92	564	188	415	308	159	353	262	195	431	320		
35,5	34,81	52	92	521	173	384	285	158	349	259	177	392	291		
40	40,14	45	92	452	168	371	275	151	334	248	171	380	282		
45	42,61	42	92	426	164	362	269	148	327	243	167	371	275		
50	49,13	37	92	369	158	350	260	141	312	232	162	359	267		
56	53,50	34	92	339	146	323	240	136	301	224	148	328	244		
63	61,70	29	92	294	141	313	232	131	290	215	144	319	236		
71	70,82	25	92	256	132	293	217	128	283	210	133	295	219		
80	78,03	23	92	232	128	284	211	123	273	203	129	287	213		
90	89,56	20	92	203	124	274	203	119	263	195	125	276	205		
100	99,24	18	92	186	137	-	226	126	-	207	139	-	228	4	(P1) 164 - 165 (P1) 168 - 169 (P5) 160 - 161 (P4) 192 - 193 (P4) 196 - 197
112	113,91	16	92	162	132	-	218	121	-	198	133	-	219		
125	124,94	14	92	148	131	-	215	120	-	197	132	-	217		
140	143,42	13	92	129	126	-	207	114	-	188	127	-	209		
160	153,81	12	92	120	121	-	199	115	-	190	122	-	200		
180	176,55	10,2	92	104	117	-	192	111	-	182	118	-	193		
200	193,64	9,3	92	95	115	-	190	109	-	179	116	-	191		
224	222,28	8,1	92	83	111	-	183	104	-	172	112	-	184		
250	243,16	7,4	92	76	104	-	171	101	-	165	104	-	171		
280	279,11	6,4	92	66	100	-	165	97	-	159	101	-	165		
315	320,76	5,6	92	58	98	-	162	95	-	155	99	-	162		
355	352,99	5,1	92	52	93	-	153	91	-	149	93	-	153		
400	405,67	4,4	92	45	91	-	149	88	-	145	91	-	150		

Notes: (*) = Consult WEG.
 (-) = Not available.
 When the fan is installed on the input flange, PT is derated by 20%.
 Right angle T only 3 and 4 stages.
 1) 2-stage gearboxes maximum permissible speed 1,500 rpm.
 2) Forced lubrication.

Selection tables

Right angle gearbox

W13 R/T - 1,800 rpm

W13 - n1 = 1800 rpm ¹⁾														115 kNm	
iN	i _{ex}	n2 [rpm]	M2 [kNm]	P1 [kW]	PT - 20 °C [kW]									ST	Dimensions
					Mounting position - P1			Mounting position - P5			Mounting position - P4 ²⁾				
					PTG	PTV	PTC	PTG	PTV	PTC	PTG	PTV	PTC		
6,3	6,35	283	91,9	2726	454	1006	765	264	585	445	341	756	575	2	(P1) 160 - 161 (P5) 176 - 177 (P4) 188 - 189
7,1	7,35	245	100,3	2572	430	952	724	258	572	435	337	747	568		
8	7,64	236	98,6	2431	425	941	716	242	537	408	335	742	564		
9	8,84	204	105,7	2253	400	886	674	231	511	389	323	715	544		
10	9,71	185	101,8	1976	375	830	632	258	571	434	325	720	548		
11,2	11,23	160	108,6	1823	353	783	596	244	541	412	310	688	523		
12,5	12,19	148	104,7	1619	328	726	552	256	567	431	301	666	507		
14	14,10	128	112,1	1499	310	687	522	243	538	409	286	635	483		
16	16,09	112	112	1372	273	605	461	215	476	363	290	642	489	3	(P1) 162 - 163 (P1) 166 - 167 (P5) 178 - 179 (P4) 190 - 191 (P4) 194 - 195
18	18,61	97	115	1218	262	580	442	203	450	343	279	618	471		
20	20,27	89	115	1118	265	586	446	207	458	349	281	623	474		
22,4	23,45	77	115	967	253	560	427	194	429	327	271	600	457		
25	24,45	74	115	927	240	532	405	197	435	331	253	559	426		
28	28,28	64	115	802	230	510	388	185	410	312	244	540	411		
31,5	30,58	59	115	741	214	474	361	188	416	317	221	489	373		
35,5	35,38	51	115	641	206	457	348	179	396	301	214	473	360		
40	38,30	47	115	592	206	457	348	179	396	301	214	474	361		
45	44,30	41	115	512	198	439	335	169	375	285	207	458	348		
50	48,09	37	115	471	185	410	312	167	370	281	190	422	321		
56	55,63	32	115	408	179	395	301	159	352	268	184	407	310		
63	62,68	29	115	362	169	374	285	159	352	268	172	380	289		
71	70,35	26	115	322	163	361	275	152	337	257	166	367	279		
80	79,27	23	115	286	157	348	265	146	324	247	160	354	270		
90	89,83	20	115	257	183	-	308	153	-	258	186	-	313	4	(P1) 164 - 165 (P1) 168 - 169 (P5) 160 - 161 (P4) 192 - 193 (P4) 196 - 197
100	101,22	18	115	228	176	-	297	146	-	246	179	-	302		
112	112,54	16	115	205	174	-	292	144	-	243	176	-	297		
125	126,81	14	115	182	167	-	281	136	-	230	170	-	286		
140	139,23	13	115	166	158	-	267	145	-	244	159	-	269		
160	156,87	11,5	115	147	152	-	257	138	-	233	154	-	259		
180	174,43	10,3	115	132	150	-	253	136	-	229	151	-	255		
200	196,54	9,2	115	117	144	-	243	130	-	219	146	-	246		
224	219,03	8,2	115	105	135	-	227	127	-	214	135	-	228		
250	246,79	7,3	115	93	130	-	219	122	-	205	131	-	220		
280	280,40	6,4	115	82	127	-	215	119	-	201	128	-	216		
315	312,12	5,8	115	74	120	-	202	115	-	194	120	-	202		
355	354,62	5,1	115	65	117	-	197	112	-	189	117	-	198		

Notes: (*) = Consult WEG.

(-) = Not available.

When the fan is installed on the input flange, PT is derated by 20%.

Right angle T only 3 and 4 stages.

1) 2-stage gearboxes maximum permissible speed 1,200 rpm.

2) Forced lubrication.

Selection tables

Right angle gearbox

W14 R/T - 1,800 rpm

W14 - n1 = 1800 rpm ¹⁾														132 kNm	
iN	i _{ex}	n2 [rpm]	M2 [kNm]	P1 [kW]	PT - 20 °C [kW]									ST	Dimensions
					Mounting position - P1			Mounting position - P5			Mounting position - P4 ²⁾				
					PTG	PTV	PTC	PTG	PTV	PTC	PTG	PTV	PTC		
7,1	7,16	251	103,5	2726	459	1017	767	263	582	439	337	747	563	2	(P1) 160 - 161 (P5) 176 - 177 (P4) 188 - 189
8	8,26	218	112,7	2572	438	971	733	259	574	433	337	746	563		
9	8,61	209	111,1	2432	431	956	721	243	539	407	335	742	560		
10	9,93	181	118,7	2253	409	906	684	234	518	391	326	722	544		
11,2	10,94	165	114,7	1976	382	846	638	260	577	436	328	726	548		
12,5	12,62	143	122,0	1823	362	802	605	248	551	415	315	699	527		
14	13,74	131	118,0	1619	334	740	559	260	576	434	305	676	510		
16	15,84	114	126,0	1499	318	704	531	248	549	414	292	648	489		
18	18,13	99	127	1381	265	586	455	148	328	255	286	634	492	3	(P1) 162 - 163 (P1) 166 - 167 (P5) 178 - 179 (P4) 190 - 191 (P4) 194 - 195
20	20,90	86	132	1245	254	562	436	141	313	243	276	612	475		
22,4	22,84	79	132	1139	255	565	438	144	318	247	278	615	477		
25	26,34	68	132	988	244	541	419	135	298	232	268	594	460		
28	27,55	65	132	945	230	508	394	141	311	241	241	534	414		
31,5	31,77	57	132	819	221	490	380	132	293	227	234	518	402		
35,5	34,46	52	132	755	205	453	351	142	314	243	211	467	363		
40	39,74	45	132	655	198	438	340	135	298	231	205	454	352		
45	43,15	42	132	603	197	437	339	134	296	229	205	453	351		
50	49,76	36	132	523	190	422	327	126	280	217	198	439	341		
56	54,19	33	132	480	177	392	304	126	279	217	182	403	313		
63	62,48	29	132	417	171	379	294	121	267	207	176	391	303		
71	70,40	26	132	370	162	358	277	126	279	216	164	363	282		
80	79,02	23	132	329	156	346	269	121	268	208	159	352	273		
90	89,04	20	132	292	151	334	259	117	258	200	153	340	264		
100	100,91	18	132	262	175	-	301	147	327	253	178	394	306	4	(P1) 164 - 165 (P1) 168 - 169 (P5) 160 - 161 (P4) 192 - 193 (P4) 196 - 197
112	113,70	16	132	233	169	-	290	140	310	241	172	380	295		
125	126,42	14	132	209	166	-	286	138	307	238	169	374	290		
140	142,44	13	132	186	160	-	275	131	291	226	163	360	280		
160	156,39	12	132	169	152	-	261	139	308	239	153	339	263		
180	176,21	10,2	132	150	146	-	251	133	295	229	148	327	253		
200	195,93	9,2	132	135	144	-	247	131	289	224	145	321	249		
224	220,77	8,2	132	120	139	-	238	125	277	215	140	310	240		
250	246,03	7,3	132	108	129	-	222	122	270	209	130	288	223		
280	277,22	6,5	132	95	125	-	214	117	259	201	125	277	215		
315	314,97	5,7	132	84	122	-	210	114	253	197	123	273	211		
355	350,60	5,1	132	75	115	-	197	111	245	190	115	255	198		
400	398,34	4,5	132	66	112	-	193	108	238	185	113	249	193		

Notes: (*) = Consult WEG.
 (-) = Not available.
 When the fan is installed on the input flange, PT is derated by 20%.
 Right angle T only 3 and 4 stages.
 1) 2-stage gearboxes maximum permissible speed 1,200 rpm.
 2) Forced lubrication.

Selection tables

Right angle gearbox

W15 R/T - 1,800 rpm

W15 - n1 = 1800 rpm ¹⁾														158 kNm	
iN	i _{ex}	n2 [rpm]	M2 [kNm]	P1 [kW]	PT - 20 °C [kW]									ST	Dimensions
					Mounting position - P1			Mounting position - P5			Mounting position - P4 ²⁾				
					PTG	PTV	PTC	PTG	PTV	PTC	PTG	PTV	PTC		
6,3	6,35	283	119,4	3543	511	1132	818	266	589	425	359	795	575	2	(P1) 160 - 161 (P5) 176 - 177 (P4) 188 - 189
7,1	7,41	243	136,2	3463	485	1076	777	266	590	426	363	804	581		
8	7,64	236	132,4	3267	480	1064	769	274	607	438	371	823	594		
9	8,91	202	142,4	3012	451	1000	723	262	580	419	360	797	576		
10	9,70	186	138,2	2684	432	957	691	268	594	429	360	798	577		
11,2	11,32	159	147,9	2462	405	898	649	253	561	405	343	761	550		
12,5	12,18	148	142,5	2204	383	848	613	277	613	443	342	758	548		
14	14,22	127	153,0	2028	360	798	577	261	579	418	325	721	521		
16	15,48	116	125	1592	305	675	497	223	494	363	332	736	541		
18	18,07	100	145	1582	291	643	473	216	478	351	316	699	514		
20	19,51	92	155	1566	295	652	480	223	495	364	318	704	518		
22,4	22,77	79	158	1368	280	621	457	210	466	343	304	672	495		
25	24,41	74	158	1276	264	583	429	223	494	363	275	609	448		
28	28,49	63	158	1093	253	560	412	210	466	343	265	587	432		
31,5	30,56	59	158	1019	234	519	382	211	467	343	241	533	392		
35,5	35,67	50	158	873	226	501	368	201	445	327	233	516	379		
40	38,23	47	158	815	222	492	362	199	440	323	229	506	373		
45	44,63	40	158	698	214	474	349	189	418	308	221	490	360		
50	48,01	37	158	649	200	443	326	184	408	300	204	452	332		
56	56,04	32	158	556	193	427	314	176	391	287	198	437	322		
63	63,19	28	158	493	183	404	297	174	386	284	185	409	301		
71	70,87	25	158	440	177	391	288	168	371	273	179	396	291		
80	79,92	23	158	390	173	383	282	164	362	267	175	388	286		
90	90,49	20	158	350	196	-	319	172	-	280	198	-	323		
100	102,05	18	158	310	191	-	312	166	-	270	194	-	316		
112	113,38	16	158	279	186	-	304	162	-	264	189	-	308		
125	127,85	14	158	248	182	-	296	156	-	255	185	-	301		
140	140,25	13	158	226	170	-	276	159	-	259	171	-	278		
160	158,16	11,4	158	200	166	-	270	155	-	252	167	-	272		
180	175,72	10,2	158	180	162	-	263	150	-	245	163	-	265		
200	198,15	9,1	158	160	158	-	257	146	-	238	159	-	259		
224	220,64	8,2	158	144	145	-	237	139	-	227	146	-	238		
250	248,82	7,2	158	127	142	-	232	136	-	221	143	-	233		
280	282,70	6,4	158	112	140	-	228	133	-	217	141	-	230		
315	314,68	5,7	158	101	132	-	215	128	-	209	132	-	215		
355	357,53	5,0	158	89	129	-	210	125	-	204	129	-	211		

Notes: (*) = Consult WEG.
 (-) = Not available.
 When the fan is installed on the input flange, PT is derated by 20%.
 Right angle T only 3 and 4 stages.
 1) 2-stage gearboxes maximum permissible speed 1,200 rpm.
 2) Forced lubrication.

Selection tables

Right angle gearbox

W16 R/T - 1,800 rpm

W16 - n1 = 1800 rpm ¹⁾														178 kNm	
iN	i _{ex}	n2 [rpm]	M2 [kNm]	P1 [kW]	PT - 20 °C [kW]									ST	Dimensions
					Mounting position - P1			Mounting position - P5			Mounting position - P4 ²⁾				
					PTG	PTV	PTC	PTG	PTV	PTC	PTG	PTV	PTC		
7,1	7,11	253	134	3543	512	1136	815	263	583	418	352	780	560	2	(P1) 160 - 161 (P5) 176 - 177 (P4) 188 - 189
8	8,27	218	152	3463	488	1082	776	265	588	422	359	796	571		
9	8,55	211	148	3267	484	1074	770	274	607	435	369	817	586		
10	9,95	181	159	3012	455	1009	724	263	583	418	359	796	571		
11,2	10,86	166	155	2684	437	969	695	270	598	429	361	800	574		
12,5	12,64	142	165	2462	410	908	652	255	566	406	345	765	549		
14	13,64	132	159	2204	388	860	617	279	619	444	345	765	549		
16	15,87	113	171	2028	365	809	581	264	585	420	328	727	522		
18	17,33	104	140	1593	309	685	501	227	502	367	337	745	545	3	(P1) 162 - 163 (P1) 166 - 167 (P5) 178 - 179 (P4) 190 - 191 (P4) 194 - 195
20	20,17	89	160	1564	295	652	477	219	485	355	319	707	517		
22,4	21,84	82	170	1535	299	662	483	228	506	370	321	712	520		
25	25,41	71	178	1381	284	629	460	214	473	346	308	681	498		
28	27,32	66	178	1284	267	592	432	226	501	366	279	617	451		
31,5	31,79	57	178	1104	256	567	415	214	473	346	269	595	434		
35,5	34,21	53	178	1026	238	527	385	214	474	346	244	541	395		
40	39,80	45	178	882	229	507	371	204	451	330	236	522	382		
45	42,80	42	178	820	226	499	365	202	446	326	232	514	375		
50	49,80	36	178	705	217	481	351	192	424	310	224	496	362		
56	53,74	33	178	653	203	449	328	187	415	303	207	458	335		
63	62,53	29	178	561	196	433	317	179	396	290	200	443	324		
71	70,52	26	178	498	185	410	300	177	392	286	187	415	303		
80	79,09	23	178	444	179	396	290	170	377	275	181	402	293		
90	89,19	20	178	393	175	388	284	166	368	269	178	394	288		
100	100,99	18	178	353	198	-	321	174	-	282	201	-	325	4	(P1) 164 - 165 (P1) 168 - 169 (P5) 160 - 161 (P4) 192 - 193 (P4) 196 - 197
112	113,88	16	178	313	194	-	314	169	-	273	196	-	318		
125	126,52	14	178	282	189	-	306	165	-	266	191	-	310		
140	142,68	13	178	250	184	-	298	159	-	257	187	-	303		
160	156,52	12	178	228	172	-	278	161	-	261	173	-	280		
180	176,50	10,2	178	202	168	-	272	157	-	254	169	-	274		
200	196,09	9,2	178	182	164	-	265	153	-	247	165	-	267		
224	221,13	8,1	178	161	160	-	259	148	-	240	161	-	261		
250	246,23	7,3	178	145	147	-	239	141	-	229	148	-	240		
280	277,67	6,5	178	129	144	-	233	138	-	223	145	-	235		
315	315,48	5,7	178	113	142	-	230	135	-	219	143	-	231		
355	351,17	5,1	178	102	134	-	216	130	-	210	134	-	217		
400	398,99	4,5	178	89	131	-	212	127	-	206	131	-	212		

Notes: (*) = Consult WEG.
 (-) = Not available.
 When the fan is installed on the input flange, PT is derated by 20%.
 Right angle T only 3 and 4 stages.
 1) 2-stage gearboxes maximum permissible speed 1,200 rpm.
 2) Forced lubrication.

Selection tables

Right angle gearbox

W01 R/T - 1,500 rpm

W01 - n1 = 1500 rpm														7,5 kNm	
iN	i _{ex}	n2 [rpm]	M2 [kNm]	P1 [kW]	PT - 20 °C [kW]									ST	Dimensions
					Mounting position - P1			Mounting position - P5			Mounting position - P4 ¹⁾				
					PTG	PTV	PTC	PTG	PTV	PTC	PTG	PTV	PTC		
6,3	6,26	239	7,1	178	77	149	-	74	143	-	76	147	-	2	(P1) 160 - 161 (P5) 176 - 177 (P4) 188 - 189
7,1	7,25	207	7,5	163	74	142	-	71	137	-	73	140	-		
8	7,66	196	7,3	150	75	146	-	73	141	-	75	144	-		
9	8,86	169	7,5	133	72	139	-	69	134	-	71	137	-		
10	9,71	154	7,0	113	65	125	-	64	123	-	64	125	-		
11,2	11,23	134	7,5	105	62	120	-	61	118	-	62	119	-		
12,5	12,19	123	7,1	92	59	113	-	58	111	-	58	113	-		
14	14,10	106	7,5	84	56	108	-	55	106	-	56	108	-		
16	15,66	96	7,2	72	39	76	-	39	75	-	39	75	-		
18	18,12	83	7,5	65	38	73	-	37	72	-	37	72	-		
20	19,93	75	7,5	59	39	74	-	38	73	-	38	74	-		
22,4	23,06	65	7,5	51	37	72	-	36	70	-	37	71	-		
25	24,76	61	7,5	48	37	71	-	36	70	-	37	71	-		
28	28,64	52	7,5	41	35	69	-	35	67	-	35	68	-		
31,5	30,89	49	7,5	38	32	62	-	32	61	-	32	62	-		
35,5	35,73	42	7,5	33	31	60	-	31	59	-	31	59	-		
40	38,38	39	7,5	31	31	59	-	30	59	-	31	59	-		
45	44,39	34	7,5	27	30	57	-	29	57	-	30	57	-		
50	48,19	31	7,5	24	27	53	-	27	52	-	27	53	-		
56	55,74	27	7,5	21	26	51	-	26	51	-	26	51	-		
63	63,09	24	7,5	19	26	50	-	26	49	-	26	50	-		
71	70,49	21	7,5	17	24	47	-	24	47	-	24	47	-		
80	79,79	19	7,5	15	24	46	-	23	45	-	24	45	-		

Notes: (*) = Consult WEG.
 (-) = Not available.
 When the fan is installed on the input flange, PT is derated by 20%.
 Right angle T only 3 and 4 stages.
 1) Forced lubrication.

Selection tables

Right angle gearbox

W02 R/T - 1,500 rpm

W02 - n1 = 1500 rpm													9,5 kNm		
iN	i _{ex}	n2 [rpm]	M2 [kNm]	P1 [kW]	PT - 20 °C [kW]									ST	Dimensions
					Mounting position - P1			Mounting position - P5			Mounting position - P4 ¹⁾				
					PTG	PTV	PTC	PTG	PTV	PTC	PTG	PTV	PTC		
8	7,85	191	8,9	178	82	159	-	78	151	-	80	155	-	2	(P1) 160 - 161 (P5) 176 - 177 (P4) 188 - 189
9	9,03	166	9,5	165	78	151	-	75	144	-	76	148	-		
10	9,60	156	9,2	150	80	155	-	77	148	-	79	152	-		
11,2	11,04	136	9,5	135	76	147	-	73	141	-	75	144	-		
12,5	12,17	123	8,8	113	69	132	-	67	129	-	68	131	-		
14,2	14,00	107	9,5	107	65	126	-	64	124	-	65	125	-		
16	15,28	98	8,9	92	62	119	-	61	117	-	61	118	-		
18	17,58	85	9,5	85	59	114	-	58	112	-	58	113	-		
20	19,63	76	9,5	76	43	83	-	42	81	-	42	82	-	3	(P1) 162 - 163 (P1) 166 - 167 (P5) 178 - 179 (P4) 190 - 191 (P4) 194 - 195
22,4	22,58	66	9,5	66	41	80	-	40	78	-	41	79	-		
25	24,99	60	9,5	60	42	81	-	41	80	-	42	81	-		
28	28,74	52	9,5	52	40	78	-	40	76	-	40	78	-		
31,5	31,04	48	9,5	48	40	78	-	39	76	-	40	77	-		
35,5	35,70	42	9,5	42	39	75	-	38	73	-	38	74	-		
40	38,73	39	9,5	39	35	67	-	35	67	-	35	67	-		
45	44,55	34	9,5	33	34	65	-	33	64	-	34	65	-		
50	48,10	31	9,5	31	33	65	-	33	64	-	33	65	-		
56	55,33	27	9,5	27	32	62	-	32	62	-	32	62	-		
63	60,40	25	9,5	25	30	57	-	30	57	-	30	57	-		
71	69,48	22	9,5	21	29	55	-	29	55	-	29	55	-		
80	78,65	19	9,5	19	28	54	-	28	54	-	28	54	-		
90	87,87	17	9,5	17	26	51	-	26	51	-	26	51	-		
100	99,46	15	9,5	15	26	49	-	26	49	-	26	49	-		

Notes: (*) = Consult WEG.
 (-) = Not available.
 When the fan is installed on the input flange, PT is derated by 20%.
 Right angle T only 3 and 4 stages.
 1) Forced lubrication.

Selection tables

Right angle gearbox

W03 R/T - 1,500 rpm

W03 - n1 = 1500 rpm														13 kNm	
iN	i _{ex}	n2 [rpm]	M2 [kNm]	P1 [kW]	PT - 20 °C [kW]									ST	Dimensions
					Mounting position - P1			Mounting position - P5			Mounting position - P4 ¹⁾				
					PTG	PTV	PTC	PTG	PTV	PTC	PTG	PTV	PTC		
6,3	6,26	239	11,4	286	108	210	288	102	196	270	106	204	280	2	(P1) 160 - 161 (P5) 176 - 177 (P4) 188 - 189
7,1	7,25	207	12,9	279	103	199	274	97	188	258	101	195	268		
8	7,64	196	12,5	257	106	205	282	100	194	266	104	201	276		
9	8,84	170	13,0	231	101	195	267	95	184	252	99	191	262		
10	9,71	154	12,8	206	95	183	252	92	177	243	94	181	249		
11,2	11,23	134	13,0	182	90	174	239	87	168	230	89	172	237		
12,5	12,19	123	11,7	151	83	160	220	81	157	215	82	159	218		
14,2	14,10	106	13,0	145	79	153	210	77	150	205	79	152	209		
16	15,66	96	13,0	130	55	107	152	54	104	148	55	105	150	3	(P1) 162 - 163 (P1) 166 - 167 (P5) 178 - 179 (P4) 190 - 191 (P4) 194 - 195
18	18,12	83	13,0	113	53	103	146	52	100	142	52	101	144		
20	19,93	75	13,0	102	53	103	147	52	100	143	53	102	145		
22,4	23,06	65	13,0	89	51	99	141	50	96	137	51	98	140		
25	24,69	61	13,0	83	51	99	141	50	96	137	51	98	140		
28	28,56	53	13,0	71	49	95	135	48	92	131	49	94	134		
31,5	30,89	49	13,0	66	46	88	126	45	87	124	46	88	125		
35,5	35,73	42	13,0	57	44	85	121	44	84	120	44	85	121		
40	38,27	39	13,0	53	44	85	121	43	84	119	44	85	120		
45	44,26	34	13,0	46	42	82	116	42	81	115	42	81	116		
50	48,05	31	13,0	42	39	75	106	38	74	106	39	75	106		
56	55,58	27	13,0	37	37	72	103	37	72	102	37	72	103		
63	63,46	24	13,0	32	37	72	103	37	72	102	37	72	103		
71	70,29	21	13,0	29	35	68	96	35	67	96	35	67	96		
80	80,26	19	13,0	25	35	67	96	35	67	95	35	67	96		
90	90,44	17	13,0	23	33	-	92	33	-	91	33	-	92	4	(P1) 164 - 165 (P1) 168 - 169 (P5) 160 - 161 (P4) 192 - 193 (P4) 196 - 197
100	103,26	15	13,0	20	33	-	91	33	-	90	33	-	91		
112	112,65	13	13,0	18	32	-	87	31	-	87	32	-	87		
125	128,62	12	13,0	16	31	-	87	31	-	86	31	-	86		
142	140,16	11	13,0	15	30	-	81	29	-	81	30	-	81		
160	160,04	9	13,0	13	29	-	81	29	-	80	29	-	81		
180	174,59	9	13,0	12	28	-	77	28	-	77	28	-	77		
200	199,35	8	13,0	10	28	-	76	28	-	76	28	-	76		
224	219,23	7	13,0	9	24	-	67	24	-	67	24	-	67		
250	250,32	6	13,0	8	24	-	66	24	-	66	24	-	66		
280	284,06	5	13,0	7	24	-	66	24	-	66	24	-	66		
315	316,58	5	13,0	6	24	-	66	24	-	66	24	-	66		
355	359,25	4	13,0	6	24	-	65	23	-	65	24	-	65		

Notes: (*) = Consult WEG.

(-) = Not available.

When the fan is installed on the input flange, PT is derated by 20%.

Right angle T only 3 and 4 stages.

1) Forced lubrication.

Selection tables

Right angle gearbox

W04 R/T - 1,500 rpm

W04 - n1 = 1500 rpm														16,5 kNm	
iN	i _{ex}	n2 [rpm]	M2 [kNm]	P1 [kW]	PT - 20 °C [kW]									ST	Dimensions
					Mounting position - P1			Mounting position - P5			Mounting position - P4 ¹⁾				
					PTG	PTV	PTC	PTG	PTV	PTC	PTG	PTV	PTC		
8	7,85	191	14,3	286	122	235	304	113	219	282	118	227	294	2	(P1) 160 - 161 (P5) 176 - 177 (P4) 188 - 189
9	9,03	166	16,0	279	116	223	289	108	209	270	112	217	281		
10	9,58	157	15,7	257	119	230	298	112	217	280	116	225	291		
11,2	11,02	136	16,5	235	113	218	282	106	205	265	110	213	276		
12,5	12,17	123	16,0	206	106	206	266	102	198	256	105	203	262		
14,2	14,00	107	16,5	185	101	195	252	97	188	242	100	192	249		
16	15,28	98	14,7	151	93	179	232	91	175	226	92	178	230		
18	17,58	85	16,5	147	88	171	221	86	167	216	88	170	219		
20	19,63	76	16,5	132	60	116	158	58	113	154	59	114	156		
22,4	22,58	66	16,5	115	57	111	152	56	108	148	57	110	150		
25	24,99	60	16,5	104	58	112	153	56	109	149	57	111	151		
28	28,74	52	16,5	90	56	107	147	54	104	142	55	106	145		
31,5	30,95	48	16,5	84	56	107	146	54	104	142	55	106	145		
35,5	35,60	42	16,5	73	53	103	140	52	100	136	53	102	139		
40	38,73	39	16,5	67	49	95	130	49	94	129	49	95	130		
45	44,55	34	16,5	58	48	92	125	47	91	124	47	91	125		
50	47,97	31	16,5	54	47	92	125	47	90	123	47	91	125		
56	55,18	27	16,5	47	46	88	120	45	87	119	45	88	120		
63	60,23	25	16,5	43	42	80	110	41	80	109	42	80	110		
71	69,28	22	16,5	37	40	78	106	40	77	105	40	77	106		
80	79,11	19	16,5	33	40	78	106	40	77	106	40	78	106		
90	87,62	17	16,5	30	38	73	99	37	72	99	38	73	99		
100	100,05	15	16,5	26	37	72	99	37	72	98	37	72	98		
112	112,74	13	16,5	23	36	-	95	36	-	95	36	-	96	4	(P1) 164 - 165 (P1) 168 - 169 (P5) 160 - 161 (P4) 192 - 193 (P4) 196 - 197
125	128,72	12	16,5	20	36	-	94	36	-	95	36	-	95		
142	140,43	11	16,5	18	34	-	90	34	-	90	34	-	91		
160	160,34	9	16,5	16	34	-	89	34	-	90	34	-	90		
180	174,73	9	16,5	15	32	-	84	32	-	84	32	-	84		
200	199,50	8	16,5	13	32	-	83	32	-	84	32	-	84		
224	217,64	7	16,5	12	30	-	79	30	-	80	30	-	80		
250	248,50	6	16,5	10	30	-	79	30	-	79	30	-	79		
280	273,29	5	16,5	9	26	-	69	26	-	69	26	-	69		
315	312,04	5	16,5	8	26	-	68	26	-	69	26	-	69		
355	354,10	4	16,5	7	26	-	68	26	-	68	26	-	69		
400	394,63	4	16,5	7	26	-	68	26	-	68	26	-	68		
450	447,84	3	16,5	6	25	-	67	25	-	67	25	-	67		

Notes: (*) = Consult WEG.

(-) = Not available.

When the fan is installed on the input flange, PT is derated by 20%.

Right angle T only 3 and 4 stages.

1) Forced lubrication.

Selection tables

Right angle gearbox

W05 R/T - 1,500 rpm

W05 - n1 = 1500 rpm														22 kNm	
iN	i _{ex}	n2 [rpm]	M2 [kNm]	P1 [kW]	PT - 20 °C [kW]									ST	Dimensions
					Mounting position - P1			Mounting position - P5			Mounting position - P4 ¹⁾				
					PTG	PTV	PTC	PTG	PTV	PTC	PTG	PTV	PTC		
6,3	6,26	239	21,9	551	173	334	370	153	296	328	164	317	351	2	(P1) 160 - 161 (P5) 176 - 177 (P4) 188 - 189
7,1	7,25	207	22	477	161	311	345	143	276	306	153	296	329		
8	7,64	196	22	452	159	307	342	143	276	308	153	295	329		
9	8,84	170	22	391	149	289	320	134	259	287	144	278	308		
10	9,71	154	21,3	345	137	264	293	129	250	277	134	259	287		
11,2	11,23	134	22	308	128	248	275	121	234	259	126	243	269		
12,5	12,19	123	19,7	254	116	225	250	112	217	241	115	222	246		
14	14,10	106	22	245	110	213	236	107	206	228	109	210	233		
16	16,03	94	19,2	197	92	177	196	88	169	188	92	178	197	3	(P1) 162 - 163 (P1) 166 - 167 (P5) 178 - 179 (P4) 190 - 191 (P4) 194 - 195
18	18,54	81	22	195	87	168	187	83	161	179	87	169	188		
20	20,22	74	22	179	89	171	190	85	165	183	89	172	191		
22,4	23,39	64	22	155	86	165	183	82	158	176	86	166	184		
25	25,10	60	22	144	88	171	189	85	164	182	89	171	190		
28	29,04	52	22	124	85	164	182	82	158	175	85	165	183		
31,5	30,89	49	22	117	69	134	149	69	133	147	70	134	149		
35,5	35,73	42	22	101	67	130	145	67	129	143	68	131	145		
40	38,35	39	22	94	68	131	145	67	129	143	68	131	145		
45	44,36	34	22	81	66	127	140	65	125	138	66	127	141		
50	48,16	31	22	75	61	117	130	60	116	129	61	117	130		
56	55,70	27	22	65	59	114	126	58	112	125	59	114	126		
63	63,46	24	22	57	61	117	130	60	116	129	61	117	130		
71	70,45	21	22	51	55	105	117	54	105	116	55	106	117		
80	80,26	19	22	45	53	102	113	52	101	112	53	102	113		
90	91,07	16	22	40	59	-	126	57	-	123	59	-	126	4	(P1) 164 - 165 (P1) 168 - 169 (P5) 160 - 161 (P4) 192 - 193 (P4) 196 - 197
100	103,75	14	22	35	57	-	121	55	-	119	57	-	122		
112	113,13	13	22	32	56	-	121	55	-	118	56	-	121		
125	128,88	12	22	29	54	-	117	53	-	114	54	-	117		
140	141,15	11	22	26	50	-	107	49	-	106	50	-	107		
160	160,80	9,3	22	23	48	-	103	48	-	102	48	-	103		
180	175,33	8,6	22	21	48	-	102	47	-	101	48	-	102		
200	199,75	7,5	22	18	46	-	99	46	-	98	46	-	99		
224	220,16	6,8	22	17	45	-	96	45	-	95	45	-	96		
250	250,82	6,0	22	15	43	-	93	43	-	92	43	-	93		
280	283,90	5,3	22	13	41	-	87	40	-	87	41	-	87		
315	317,21	4,7	22	12	38	-	82	38	-	82	38	-	82		
355	362,81	4,1	22	10,1	37	-	80	37	-	79	37	-	80		

Notes: (*) = Consult WEG.

(-) = Not available.

When the fan is installed on the input flange, PT is derated by 20%.

Right angle T only 3 and 4 stages.

1) Forced lubrication.

Selection tables

Right angle gearbox

W06 R/T - 1,500 rpm

W06 - n1 = 1500 rpm														28 kNm	
iN	i _{ex}	n2 [rpm]	M2 [kNm]	P1 [kW]	PT - 20 °C [kW]									ST	Dimensions
					Mounting position - P1			Mounting position - P5			Mounting position - P4 ¹⁾				
					PTG	PTV	PTC	PTG	PTV	PTC	PTG	PTV	PTC		
8	7,85	191	27,5	551	195	377	394	171	331	346	183	354	370	2	(P1) 160 - 161 (P5) 176 - 177 (P4) 188 - 189
9	9,03	166	28	487	181	350	366	160	309	323	172	332	347		
10	9,58	157	28	459	181	350	366	162	313	327	173	334	349		
11,2	11,02	136	28	399	168	325	340	150	291	304	161	312	326		
12,5	12,17	123	26,7	345	154	298	312	145	281	294	151	291	304		
14	14,00	107	28	314	144	279	292	136	263	275	141	273	286		
16	15,28	98	24,7	254	131	254	265	126	244	256	129	250	261		
18	17,58	85	28	250	124	240	251	120	232	242	123	237	248		
20	20,09	75	24	196	98	190	203	94	181	194	99	191	204		
22,4	23,11	65	27	192	93	180	193	89	173	185	94	181	194		
25	25,35	59	28	181	95	183	196	91	176	189	95	184	197		
28	29,16	51	28	158	91	177	189	88	169	182	92	177	190		
31,5	31,47	48	28	146	95	183	196	91	176	189	95	184	197		
35,5	36,19	41	28	127	91	176	188	87	169	181	91	177	189		
40	38,73	39	28	119	74	144	154	73	142	152	74	144	154		
45	44,55	34	28	103	72	139	149	71	138	147	72	140	150		
50	48,08	31	28	96	72	140	150	71	138	148	72	140	150		
56	55,30	27	28	83	70	135	145	69	133	143	70	136	145		
63	60,37	25	28	76	65	125	134	64	124	133	65	126	135		
71	69,44	22	28	66	63	122	130	62	120	129	63	122	131		
80	79,11	19	28	58	60	116	125	60	116	124	60	116	125		
90	87,82	17	28	52	58	113	121	58	112	120	58	113	121		
100	100,05	15	28	46	57	109	117	56	108	116	57	109	117		
112	113,53	13	28	41	63	-	130	61	-	127	63	-	130		
125	129,34	12	28	36	61	-	125	59	-	123	61	-	126		
140	141,02	11	28	33	60	-	125	59	-	122	60	-	125		
160	160,66	9,3	28	29	58	-	120	57	-	117	58	-	121		
180	175,95	8,5	28	27	53	-	110	53	-	109	53	-	110		
200	200,45	7,5	28	23	51	-	107	51	-	106	51	-	107		
224	218,57	6,9	28	21	51	-	106	51	-	105	51	-	106		
250	249,00	6,0	28	19	49	-	102	49	-	101	49	-	102		
280	274,45	5,5	28	17	46	-	95	46	-	95	46	-	95		
315	312,66	4,8	28	15	45	-	92	44	-	92	45	-	92		
355	353,90	4,2	28	13	43	-	90	43	-	89	43	-	90		
400	395,43	3,8	28	12	41	-	85	41	-	85	41	-	85		
450	452,27	3,3	28	10	40	-	82	40	-	82	40	-	82		

Notes: (*) = Consult WEG.

(-) = Not available.

When the fan is installed on the input flange, PT is derated by 20%.

Right angle T only 3 and 4 stages.

1) Forced lubrication.

Selection tables

Right angle gearbox

W07 R/T - 1,500 rpm

W07 - n1 = 1500 rpm														36 kNm	
iN	i _{ex}	n2 [rpm]	M2 [kNm]	P1 [kW]	PT - 20 °C [kW]									ST	Dimensions
					Mounting position - P1			Mounting position - P5			Mounting position - P4 ¹⁾				
					PTG	PTV	PTC	PTG	PTV	PTC	PTG	PTV	PTC		
6,3	6,35	236	31,3	774	278	538	487	227	439	398	254	491	444	2	(P1) 160 - 161 (P5) 176 - 177 (P4) 188 - 189
7,1	7,35	204	33,5	717	260	502	454	214	414	375	240	463	420		
8	7,64	196	32,8	675	260	503	455	219	424	384	243	470	426		
9	8,84	170	35,2	625	243	469	425	206	398	360	229	442	400		
10	9,71	154	33,5	543	227	438	397	204	394	357	218	421	382		
11,2	11,23	134	35,8	501	212	410	372	192	370	335	205	396	359		
12,5	12,19	123	34,4	444	197	381	345	184	356	322	192	372	337		
14	14,10	106	36	401	185	358	324	173	334	303	181	350	317		
16	15,89	94	31	321	146	281	259	134	259	238	147	285	262	3	(P1) 162 - 163 (P1) 166 - 167 (P5) 178 - 179 (P4) 190 - 191 (P4) 194 - 195
18	18,38	82	35	313	138	268	246	128	247	227	140	271	249		
20	19,89	75	36	297	139	268	246	129	250	230	140	271	249		
22,4	23,01	65	36	257	132	256	235	123	239	219	134	259	238		
25	25,05	60	36	236	124	240	220	119	231	212	125	241	222		
28	28,97	52	36	204	120	232	213	115	222	204	121	233	214		
31,5	30,39	49	36	195	109	211	194	107	206	189	110	212	195		
35,5	35,16	43	36	168	106	205	188	103	199	183	106	206	189		
40	38,27	39	36	155	103	199	183	100	194	178	103	200	183		
45	44,26	34	36	134	100	193	177	97	188	172	100	194	178		
50	48,05	31	36	123	90	175	161	89	172	158	91	175	161		
56	55,58	27	36	106	88	170	156	86	167	154	88	170	157		
63	63,88	23	36	93	83	161	148	83	160	147	84	162	149		
71	70,29	21	36	84	81	157	144	80	155	143	81	157	144		
80	80,78	19	36	73	80	155	143	79	153	141	80	156	143		
90	90,87	17	36	66	87	-	155	84	-	150	87	-	155	4	(P1) 164 - 165 (P1) 168 - 169 (P5) 160 - 161 (P4) 192 - 193 (P4) 196 - 197
100	104,43	14	36	58	86	-	153	83	-	148	87	-	154		
112	112,56	13	36	53	84	-	149	81	-	144	84	-	149		
125	129,36	12	36	47	83	-	147	80	-	141	83	-	148		
140	140,84	11	36	43	76	-	135	75	-	133	76	-	135		
160	161,86	9,3	36	37	75	-	133	74	-	131	75	-	133		
180	174,45	8,6	36	34	73	-	129	72	-	127	73	-	130		
200	200,48	7,5	36	30	72	-	128	71	-	126	72	-	128		
224	219,05	6,8	36	27	65	-	116	65	-	115	65	-	116		
250	251,74	6,0	36	24	65	-	115	64	-	114	65	-	115		
280	287,44	5,2	36	21	64	-	114	63	-	113	64	-	114		
315	318,38	4,7	36	19	60	-	107	60	-	106	60	-	107		
355	362,81	4,1	36	17	59	-	105	59	-	104	59	-	105		

Notes: (*) = Consult WEG.

(-) = Not available.

When the fan is installed on the input flange, PT is derated by 20%.

Right angle T only 3 and 4 stages.

1) Forced lubrication.

Selection tables

Right angle gearbox

W08 R/T - 1,500 rpm

W08 - n1 = 1500 rpm														46 kNm	
iN	i _{ex}	n2 [rpm]	M2 [kNm]	P1 [kW]	PT - 20 °C [kW]									ST	Dimensions
					Mounting position - P1			Mounting position - P5			Mounting position - P4 ¹⁾				
					PTG	PTV	PTC	PTG	PTV	PTC	PTG	PTV	PTC		
8	7,97	188	39,3	774	292	564	501	235	454	402	262	506	449	2	(P1) 160 - 161 (P5) 176 - 177 (P4) 188 - 189
9	9,16	164	41,8	717	272	526	467	222	429	381	248	480	426		
10	9,58	157	41,2	675	273	528	469	228	441	391	253	488	433		
11,2	11,02	136	43,8	625	255	492	437	215	415	368	238	460	408		
12,5	12,17	123	42,1	543	238	461	409	213	412	366	228	440	391		
14	14,00	107	44,6	501	223	431	383	200	387	344	214	414	368		
16	15,28	98	43,2	444	207	401	355	193	373	331	202	390	346		
18	17,58	85	45,97	411	195	376	334	182	351	312	190	368	326		
20	19,92	75	38	313	150	290	262	139	269	243	151	293	264		
22,4	22,91	65	43	308	143	277	250	133	257	232	145	280	253		
25	24,94	60	46	303	144	277	250	135	260	235	145	280	253		
28	28,68	52	46	263	138	267	241	129	249	225	140	270	244		
31,5	31,40	48	46	241	129	250	226	125	241	217	130	251	227		
35,5	36,11	42	46	209	125	241	218	120	232	209	126	243	219		
40	38,10	39	46	198	114	220	199	111	215	194	114	221	199		
45	43,83	34	46	172	110	213	193	108	208	188	111	214	193		
50	47,97	31	46	158	107	207	187	105	202	183	108	208	188		
56	55,18	27	46	137	104	201	181	101	195	176	104	202	182		
63	60,23	25	46	125	94	182	165	93	180	162	95	183	165		
71	69,28	22	46	109	92	177	160	90	174	157	92	178	160		
80	79,63	19	46	95	87	168	152	86	167	151	87	169	152		
90	87,62	17	46	86	85	163	148	84	162	146	85	164	148		
100	100,70	15	46	75	84	162	146	83	160	144	84	162	146		
112	113,28	13	46	68	91	-	158	88	-	153	91	-	159	4	(P1) 164 - 165 (P1) 168 - 169 (P5) 160 - 161 (P4) 192 - 193 (P4) 196 - 197
125	130,18	12	46	59	90	-	157	87	-	151	90	-	157		
140	140,31	11	46	55	87	-	152	84	-	147	88	-	153		
160	161,25	9	46	48	86	-	151	83	-	145	87	-	151		
180	175,56	9	46	44	79	-	138	78	-	136	79	-	138		
200	201,76	7,4	46	38	78	-	136	77	-	134	78	-	136		
224	217,46	6,9	46	35	76	-	132	75	-	130	76	-	133		
250	249,92	6,0	46	31	75	-	131	74	-	129	75	-	131		
280	273,06	5,5	46	28	68	-	119	67	-	118	68	-	119		
315	313,82	4,8	46	24	67	-	117	67	-	116	67	-	117		
355	358,31	4,2	46	21	67	-	116	66	-	115	67	-	116		
400	396,89	3,8	46	19	63	-	109	62	-	109	63	-	109		
450	452,27	3,3	46	17	62	-	108	61	-	107	62	-	108		

Notes: (*) = Consult WEG.

(-) = Not available.

When the fan is installed on the input flange, PT is derated by 20%.

Right angle T only 3 and 4 stages.

1) Forced lubrication.

Selection tables

Right angle gearbox

W09 R/T - 1,500 rpm

W09 - n1 = 1500 rpm														58.5 kNm	
iN	i _{ex}	n2 [rpm]	M2 [kNm]	P1 [kW]	PT - 20 °C [kW]									ST	Dimensions
					Mounting position - P1			Mounting position - P5			Mounting position - P4 ¹⁾				
					PTG	PTV	PTC	PTG	PTV	PTC	PTG	PTV	PTC		
6,3	6,35	236	44,74	1106	304	587	546	235	454	423	266	515	479	2	(P1) 160 - 161 (P5) 176 - 177 (P4) 188 - 189
7,1	7,35	204	51,75	1106	286	553	514	228	441	411	258	498	464		
8	7,64	196	54,11	1112	285	550	512	232	448	417	261	504	470		
9	8,84	170	58,50	1038	267	516	480	220	424	395	247	478	445		
10	9,71	154	55,34	895	247	477	444	217	420	391	235	453	422		
11,2	11,23	134	58,50	817	232	448	417	205	396	369	222	429	399		
12,5	12,19	123	58,50	752	217	420	391	200	386	360	211	408	380		
14	14,10	106	58,50	651	204	395	368	187	362	337	198	384	357		
16	15,79	95	50	520	163	314	295	149	287	270	165	319	300	3	(P1) 162 - 163 (P1) 166 - 167 (P5) 178 - 179 (P4) 190 - 191 (P4) 194 - 195
18	18,26	82	57	513	155	300	282	143	275	259	157	304	286		
20	19,69	76	58,5	488	155	300	282	144	279	262	157	304	286		
22,4	22,77	66	58,5	422	150	290	272	138	267	251	152	294	276		
25	24,67	61	58,5	390	148	286	269	139	268	252	149	289	272		
28	28,53	53	58,5	337	143	276	259	133	257	241	145	279	263		
31,5	30,52	49	58,5	315	129	249	234	124	240	226	129	250	235		
35,5	35,30	42	58,5	272	125	241	227	120	232	218	126	243	228		
40	38,23	39	58,5	251	121	234	220	117	225	212	122	236	221		
45	44,22	34	58,5	217	117	227	213	113	218	205	118	229	215		
50	48,01	31	58,5	200	106	205	193	104	201	189	107	206	194		
56	55,53	27	58,5	173	103	200	188	101	195	183	104	201	189		
63	63,09	24	58,5	152	97	188	177	96	186	175	98	189	178		
71	70,23	21	58,5	137	95	183	172	93	181	170	95	184	173		
80	79,79	19	58,5	120	94	181	170	92	178	168	94	182	171		
90	90,78	17	58,5	108	103	-	186	99	-	180	103	-	187		
100	103,15	15	58,5	95	102	-	184	98	-	178	102	-	185		
112	112,70	13	58,5	87	100	-	181	96	-	175	100	-	182		
125	128,05	12	58,5	76	99	-	179	95	-	173	99	-	180		
140	140,70	11	58,5	69	89	-	161	87	-	159	89	-	162		
160	159,86	9,4	58,5	61	88	-	160	86	-	157	88	-	160		
180	174,67	8,6	58,5	56	86	-	157	85	-	154	86	-	157		
200	198,46	7,6	58,5	49	85	-	155	84	-	152	85	-	155		
224	219,33	6,8	58,5	45	79	-	144	78	-	142	79	-	144		
250	249,20	6,0	58,5	39	78	-	142	77	-	140	78	-	142		
280	283,90	5,3	58,5	34	76	-	139	75	-	136	76	-	139		
315	315,17	4,8	58,5	31	73	-	133	72	-	131	73	-	133		
355	362,81	4,2	58,5	27	71	-	129	70	-	127	71	-	129		
														4	(P1) 164 - 165 (P1) 168 - 169 (P5) 160 - 161 (P4) 192 - 193 (P4) 196 - 197

Notes: (*) = Consult WEG.
 (-) = Not available.
 When the fan is installed on the input flange, PT is derated by 20%.
 1) Forced lubrication.

Selection tables

Right angle gearbox

W10 R/T - 1,500 rpm

W10 - n1 = 1500 rpm														67 kNm	
iN	i _{ex}	n2 [rpm]	M2 [kNm]	P1 [kW]	PT - 20 °C [kW]									ST	Dimensions
					Mounting position - P1			Mounting position - P5			Mounting position - P4 ¹⁾				
					PTG	PTV	PTC	PTG	PTV	PTC	PTG	PTV	PTC		
7,1	7,16	209	50,41	1106	314	606	557	240	463	426	271	525	482	2	(P1) 160 - 161 (P5) 176 - 177 (P4) 188 - 189
8	8,26	182	58,13	1106	295	571	524	234	452	415	264	510	468		
9	8,61	174	60,97	1112	295	569	523	238	460	423	268	518	475		
10	9,93	151	67,00	1060	276	534	490	227	438	402	255	493	452		
11,2	10,94	137	62,36	895	255	493	453	224	433	397	242	467	429		
12,5	12,62	119	67,00	834	240	464	426	212	409	376	229	442	406		
14	13,74	109	65,87	753	225	435	399	206	399	366	218	421	387		
16	15,84	95	67,00	664	212	409	376	194	374	344	205	397	364		
18	17,79	84	56	517	153	295	274	138	267	248	155	300	279	3	(P1) 162 - 163 (P1) 166 - 167 (P5) 178 - 179 (P4) 190 - 191 (P4) 194 - 195
20	20,51	73	64	513	145	281	261	132	256	238	148	286	266		
22,4	22,18	68	67	496	163	316	294	152	294	273	165	319	297		
25	25,58	59	67	430	157	304	283	146	282	262	159	308	286		
28	27,79	54	67	396	152	293	273	142	275	256	153	296	276		
31,5	32,05	47	67	343	146	283	263	136	264	245	148	286	266		
35,5	34,38	44	67	320	132	255	237	128	246	229	133	257	239		
40	39,65	38	67	278	128	247	230	123	238	221	129	249	231		
45	43,08	35	67	256	124	240	223	120	231	215	125	242	225		
50	49,67	30	67	222	120	233	216	116	223	208	121	234	218		
56	54,09	28	67	204	109	211	196	107	206	192	109	211	197		
63	62,37	24	67	176	106	205	190	103	200	186	106	206	191		
71	70,87	21	67	155	100	193	180	99	191	177	100	194	180		
80	78,88	19	67	140	97	188	175	96	185	172	97	188	175		
90	89,63	17	67	123	96	186	173	95	183	170	96	186	173		
100	101,98	15	67	110	105	-	189	102	-	183	105	-	189	4	(P1) 164 - 165 (P1) 168 - 169 (P5) 160 - 161 (P4) 192 - 193 (P4) 196 - 197
112	115,86	13	67	97	104	-	187	100	-	181	104	-	188		
125	126,60	12	67	88	102	-	184	99	-	178	102	-	184		
140	143,84	10	67	78	101	-	182	97	-	175	101	-	182		
160	158,05	9	67	71	91	-	164	90	-	161	91	-	164		
180	179,57	8,4	67	62	90	-	162	89	-	159	90	-	162		
200	196,21	7,6	67	57	88	-	159	87	-	156	89	-	159		
224	222,93	6,7	67	50	88	-	157	86	-	154	88	-	157		
250	246,38	6,1	67	45	81	-	146	80	-	144	81	-	146		
280	279,93	5,4	67	40	80	-	144	79	-	142	80	-	144		
315	318,90	4,7	67	35	78	-	141	77	-	138	78	-	141		
355	354,02	4,2	67	32	75	-	135	74	-	133	75	-	135		
400	452,27	3,7	67	28	73	-	130	72	-	129	73	-	130		

Notes: (*) = Consult WEG.
 (-) = Not available.
 When the fan is installed on the input flange, PT is derated by 20%.
 Right angle T only 3 and 4 stages.
 1) Forced lubrication.

Selection tables

Right angle gearbox

W11 R/T - 1,500 rpm

W11 - n1 = 1500 rpm														80 kNm	
iN	i _{ex}	n2 [rpm]	M2 [kNm]	P1 [kW]	PT - 20 °C [kW]									ST	Dimensions
					Mounting position - P1			Mounting position - P5			Mounting position - P4 ¹⁾				
					PTG	PTV	PTC	PTG	PTV	PTC	PTG	PTV	PTC		
6,3	6,35	236	59,10	1461	362	699	593	265	512	434	308	594	505	2	(P1) 160 - 161 (P5) 176 - 177 (P4) 188 - 189
7,1	7,35	204	68,36	1461	343	663	563	260	503	427	302	583	495		
8	7,64	196	69,39	1426	345	668	567	252	486	413	304	588	499		
9	8,84	170	74,25	1319	325	628	533	238	461	391	290	560	475		
10	9,71	154	70,98	1148	300	579	491	245	473	402	278	538	456		
11,2	11,23	134	75,81	1060	283	546	464	232	448	380	264	511	433		
12,5	12,19	123	72,54	935	257	497	422	230	444	377	247	477	405		
14	14,10	106	77,70	865	244	471	400	218	422	358	235	454	385		
16	15,89	94	73	755	211	408	349	184	355	304	217	419	358	3	(P1) 162 - 163 (P1) 166 - 167 (P5) 178 - 179 (P4) 190 - 191 (P4) 194 - 195
18	18,38	82	80	715	201	389	333	177	342	292	207	399	342		
20	20,22	74	80	650	202	390	334	179	345	295	207	400	342		
22,4	23,39	64	80	562	195	376	322	170	329	281	200	387	331		
25	24,75	61	80	531	191	369	316	172	332	284	195	377	323		
28	28,63	52	80	459	184	356	304	164	316	271	189	365	312		
31,5	30,89	49	80	425	169	327	280	158	306	261	172	332	284		
35,5	35,73	42	80	368	164	317	271	152	294	251	167	322	275		
40	37,82	40	80	348	160	309	264	149	287	246	163	314	269		
45	43,74	34	80	300	155	299	256	143	276	236	158	305	261		
50	47,48	32	80	277	142	275	236	136	262	224	144	278	238		
56	54,92	27	80	239	138	267	229	131	253	216	140	271	231		
63	63,05	24	80	208	129	249	213	126	243	208	130	251	214		
71	69,46	22	80	189	125	242	207	122	236	202	126	244	208		
80	79,73	19	80	165	121	234	200	117	227	194	122	235	201		
90	88,35	17	80	151	134	-	221	126	-	208	134	-	222	4	(P1) 164 - 165 (P1) 168 - 169 (P5) 160 - 161 (P4) 192 - 193 (P4) 196 - 197
100	101,41	15	80	132	129	-	213	121	-	199	130	-	214		
112	111,23	13	80	120	128	-	211	120	-	198	128	-	212		
125	127,68	12	80	105	123	-	203	114	-	189	123	-	204		
140	136,93	11	80	98	118	-	195	114	-	188	118	-	196		
160	157,17	9,5	80	85	114	-	188	109	-	181	114	-	189		
180	172,39	8,7	80	78	112	-	186	108	-	179	113	-	186		
200	197,88	7,6	80	68	108	-	179	104	-	171	109	-	180		
224	216,47	6,9	80	62	101	-	167	99	-	163	101	-	168		
250	248,47	6,0	80	54	98	-	161	95	-	157	98	-	162		
280	285,56	5,3	80	47	96	-	159	93	-	154	96	-	159		
315	314,25	4,8	80	43	91	-	150	89	-	148	91	-	150		
355	361,15	4,2	80	37	89	-	147	87	-	144	89	-	147		

Notes: (*) = Consult WEG.
 (-) = Not available.
 When the fan is installed on the input flange, PT is derated by 20%.
 Right angle T only 3 and 4 stages.
 1) Forced lubrication.

Selection tables

Right angle gearbox

W12 R/T - 1,500 rpm

W12 - n1 = 1500 rpm														92 kNm	
iN	i _{ex}	n2 [rpm]	M2 [kNm]	P1 [kW]	PT - 20 °C [kW]									ST	Dimensions
					Mounting position - P1			Mounting position - P5			Mounting position - P4 ¹⁾				
					PTG	PTV	PTC	PTG	PTV	PTC	PTG	PTV	PTC		
7,1	7,16	209	66,59	1461	371	718	603	268	518	435	311	601	504	2	(P1) 160 - 161 (P5) 176 - 177 (P4) 188 - 189
8	8,26	182	76,79	1461	353	682	572	265	512	430	306	592	497		
9	8,61	174	78,21	1426	356	687	577	257	496	417	310	599	503		
10	9,93	151	83,54	1321	334	646	542	244	472	396	296	572	481		
11,2	10,94	137	80,04	1149	309	597	501	251	485	408	285	551	462		
12,5	12,62	119	85,20	1061	291	562	472	238	460	386	271	524	440		
14	13,74	109	81,82	935	265	512	430	236	457	383	254	491	412		
16	15,84	95	87,39	867	251	485	407	224	434	364	241	467	392		
18	17,90	84	82	753	214	414	352	186	360	306	220	426	362		
20	20,64	73	92	732	204	395	336	179	347	295	210	406	345		
22,4	22,78	66	92	663	205	396	337	181	351	298	210	405	345		
25	26,27	57	92	575	197	381	324	173	334	284	203	392	333		
28	27,89	54	92	542	194	374	318	174	337	287	198	383	326		
31,5	32,16	47	92	470	187	361	307	166	322	273	191	370	315		
35,5	34,81	43	92	434	172	332	282	161	310	264	174	337	286		
40	40,14	37	92	377	166	321	273	154	298	254	169	326	277		
45	42,61	35	92	355	162	314	267	151	292	248	165	319	271		
50	49,13	31	92	308	157	304	258	145	280	238	160	309	263		
56	53,50	28	92	283	145	279	238	138	266	226	146	282	240		
63	61,70	24	92	245	140	271	230	133	257	218	142	274	233		
71	70,82	21	92	213	131	253	215	128	247	210	132	254	216		
80	78,03	19	92	194	127	246	209	124	239	203	128	247	210		
90	89,56	17	92	169	123	237	202	119	230	196	123	239	203		
100	99,24	15	92	155	135	-	223	128	-	210	136	-	224		
112	113,91	13	92	135	131	-	215	122	-	201	131	-	216		
125	124,94	12	92	123	129	-	212	121	-	200	130	-	214		
140	143,42	10	92	107	124	-	204	116	-	191	125	-	206		
160	153,81	10	92	100	120	-	196	115	-	190	120	-	197		
180	176,55	8,5	92	87	115	-	189	111	-	182	116	-	190		
200	193,64	7,7	92	79	114	-	187	110	-	180	114	-	188		
224	222,28	6,7	92	69	110	-	180	105	-	173	110	-	181		
250	243,16	6,2	92	63	103	-	169	100	-	165	103	-	169		
280	279,11	5,4	92	55	99	-	163	97	-	159	99	-	163		
315	320,76	4,7	92	48	97	-	160	95	-	156	98	-	161		
355	352,99	4,2	92	44	92	-	151	91	-	149	92	-	152		
400	405,67	3,7	92	38	90	-	148	88	-	145	90	-	148		
														4	(P1) 164 - 165 (P1) 168 - 169 (P5) 160 - 161 (P4) 192 - 193 (P4) 196 - 197

Notes: (*) = Consult WEG.

(-) = Not available.

When the fan is installed on the input flange, PT is derated by 20%.

Right angle T only 3 and 4 stages.

1) Forced lubrication.

Selection tables

Right angle gearbox

W13 R/T - 1,500 rpm

W13 - n1 = 1500 rpm ¹⁾														115 kNm	
iN	i _{ex}	n2 [rpm]	M2 [kNm]	P1 [kW]	PT - 20 °C [kW]									ST	Dimensions
					Mounting position - P1			Mounting position - P5			Mounting position - P4 ²⁾				
					PTG	PTV	PTC	PTG	PTV	PTC	PTG	PTV	PTC		
6,3	6,35	236	93,1	2301	468	905	789	311	600	523	380	734	640	2	(P1) 160 - 161 (P5) 176 - 177 (P4) 188 - 189
7,1	7,35	204	105,9	2264	443	857	747	305	590	515	374	722	630		
8	7,64	196	104,1	2140	442	854	745	291	563	491	373	721	629		
9	8,84	170	111,6	1983	415	802	700	277	535	466	357	690	601		
10	9,71	154	107,5	1739	387	747	652	295	571	498	350	677	590		
11,2	11,23	134	114,8	1605	364	704	614	280	540	471	333	643	561		
12,5	12,19	123	110,6	1425	337	651	567	283	547	477	317	613	535		
14	14,10	106	115,0	1281	317	613	535	266	515	449	300	580	506		
16	16,09	93	115	1174	275	531	463	231	446	389	286	553	482	3	(P1) 162 - 163 (P1) 166 - 167 (P5) 178 - 179 (P4) 190 - 191 (P4) 194 - 195
18	18,61	81	115	1015	264	509	444	219	424	370	275	532	464		
20	20,27	74	115	932	266	514	449	223	431	376	278	537	468		
22,4	23,45	64	115	806	255	493	430	210	406	354	268	517	451		
25	24,45	61	115	773	241	465	406	209	403	352	249	482	420		
28	28,28	53	115	668	231	447	390	198	382	333	241	465	406		
31,5	30,58	49	115	618	213	412	360	195	376	328	218	422	368		
35,5	35,38	42	115	534	206	398	347	186	360	314	211	408	356		
40	38,30	39	115	493	206	399	348	186	360	314	212	409	357		
45	44,30	34	115	427	199	384	335	178	343	299	205	395	345		
50	48,09	31	115	393	185	357	312	172	332	290	188	364	318		
56	55,63	27	115	340	179	345	301	165	318	277	182	352	307		
63	62,68	24	115	301	168	325	284	161	312	272	170	329	287		
71	70,35	21	115	269	163	314	274	155	300	262	165	318	277		
80	79,27	19	115	238	157	303	265	149	289	252	159	307	268		
90	89,83	17	115	214	181	-	305	160	-	270	183	-	309	4	(P1) 164 - 165 (P1) 168 - 169 (P5) 160 - 161 (P4) 192 - 193 (P4) 196 - 197
100	101,22	15	115	190	175	-	294	153	-	257	177	-	298		
112	112,54	13	115	171	172	-	290	151	-	254	174	-	293		
125	126,81	12	115	152	166	-	279	144	-	242	168	-	283		
140	139,23	11	115	138	157	-	264	147	-	248	157	-	265		
160	156,87	9,6	115	122	151	-	255	141	-	238	152	-	256		
180	174,43	8,6	115	110	149	-	251	139	-	234	150	-	252		
200	196,54	7,6	115	98	143	-	242	133	-	224	144	-	243		
224	219,03	6,8	115	88	134	-	225	128	-	216	134	-	226		
250	246,79	6,1	115	78	129	-	217	123	-	208	129	-	218		
280	280,40	5,3	115	69	127	-	214	121	-	204	127	-	215		
315	312,12	4,8	115	62	119	-	201	116	-	195	119	-	201		
355	354,62	4,2	115	54	116	-	196	113	-	191	117	-	197		

Notes: (*) = Consult WEG.

(-) = Not available.

When the fan is installed on the input flange, PT is derated by 20%.

Right angle T only 3 and 4 stages.

1) 2-stage gearboxes maximum permissible speed 1,200 rpm.

2) Forced lubrication.

Selection tables

Right angle gearbox

W14 R/T - 1,500 rpm

W14 - n1 = 1500 rpm ¹⁾														132 kNm	
iN	i _{ex}	n2 [rpm]	M2 [kNm]	P1 [kW]	PT - 20 °C [kW]									ST	Dimensions
					Mounting position - P1			Mounting position - P5			Mounting position - P4 ²⁾				
					PTG	PTV	PTC	PTG	PTV	PTC	PTG	PTV	PTC		
7,1	7,16	209	104,9	2301	475	918	794	310	600	519	378	730	632	2	(P1) 160 - 161 (P5) 176 - 177 (P4) 188 - 189
8	8,26	182	119,0	2264	454	876	758	308	596	516	376	727	629		
9	8,61	174	117,3	2140	450	869	752	294	568	492	375	726	628		
10	9,93	151	125,4	1983	425	822	711	281	543	470	362	700	605		
11,2	10,94	137	121,1	1739	394	762	659	300	579	501	355	685	593		
12,5	12,62	119	128,9	1605	374	722	625	285	551	477	340	656	568		
14	13,74	109	124,6	1425	344	664	575	288	556	481	323	624	540		
16	15,84	95	132,0	1309	326	631	546	274	529	458	308	595	515		
18	18,13	83	132	1196	268	517	460	164	317	282	283	546	486	3	(P1) 162 - 163 (P1) 166 - 167 (P5) 178 - 179 (P4) 190 - 191 (P4) 194 - 195
20	20,90	72	132	1037	257	497	442	157	304	270	273	527	468		
22,4	22,84	66	132	949	258	499	444	159	308	274	274	529	470		
25	26,34	57	132	823	248	479	426	151	291	259	265	511	455		
28	27,55	54	132	787	230	444	395	154	298	265	238	460	409		
31,5	31,77	47	132	683	222	429	381	146	282	251	231	446	396		
35,5	34,46	44	132	629	204	394	350	151	291	259	208	403	358		
40	39,74	38	132	546	198	382	339	144	279	248	203	391	348		
45	43,15	35	132	503	197	381	339	143	277	246	202	391	347		
50	49,76	30	132	436	191	369	328	137	264	235	196	379	337		
56	54,19	28	132	400	177	342	304	132	255	227	180	348	309		
63	62,48	24	132	347	171	331	294	127	246	218	175	338	300		
71	70,40	21	132	308	161	311	276	129	250	222	163	314	279		
80	79,02	19	132	274	156	302	268	125	242	215	158	305	271		
90	89,04	17	132	244	151	291	259	121	233	207	152	295	262		
100	100,91	15	132	219	174	-	299	154	-	264	176	-	302	4	(P1) 164 - 165 (P1) 168 - 169 (P5) 160 - 161 (P4) 192 - 193 (P4) 196 - 197
112	113,70	13	132	194	167	-	288	147	-	252	169	-	291		
125	126,42	12	132	174	165	-	284	145	-	249	167	-	287		
140	142,44	11	132	155	159	-	273	138	-	237	161	-	276		
160	156,39	10	132	141	150	-	258	141	-	243	151	-	259		
180	176,21	8,5	132	125	145	-	249	136	-	233	146	-	250		
200	195,93	7,7	132	113	143	-	245	133	-	229	143	-	247		
224	220,77	6,8	132	100	138	-	236	128	-	220	138	-	238		
250	246,03	6,1	132	90	128	-	220	123	-	211	129	-	221		
280	277,22	5,4	132	80	124	-	213	118	-	203	124	-	213		
315	314,97	4,8	132	70	122	-	209	116	-	199	122	-	210		
355	350,60	4,3	132	63	114	-	196	111	-	191	114	-	197		
400	398,34	3,8	132	55	112	-	192	109	-	187	112	-	192		

Notes: (*) = Consult WEG.
 (-) = Not available.
 When the fan is installed on the input flange, PT is derated by 20%.
 Right angle T only 3 and 4 stages.
 1) 2-stage gearboxes maximum permissible speed 1,200 rpm.
 2) Forced lubrication.

Selection tables

Right angle gearbox

W15 R/T - 1,500 rpm

W15 - n1 = 1500 rpm ¹⁾														158 kNm	
iN	i _{ex}	n2 [rpm]	M2 [kNm]	P1 [kW]	PT - 20 °C [kW]									ST	Dimensions
					Mounting position - P1			Mounting position - P5			Mounting position - P4 ²⁾				
					PTG	PTV	PTC	PTG	PTV	PTC	PTG	PTV	PTC		
6,3	6,35	236	121,8	3013	531	1026	850	321	621	514	409	790	654	2	(P1) 160 - 161 (P5) 176 - 177 (P4) 188 - 189
7,1	7,41	202	142,1	3013	502	970	804	321	619	513	408	788	653		
8	7,64	196	139,8	2876	499	963	798	329	636	527	415	803	665		
9	8,91	168	150,4	2651	467	902	748	313	605	501	398	769	637		
10	9,70	155	145,9	2363	448	865	717	316	611	506	394	762	631		
11,2	11,32	132	156,3	2168	419	810	671	298	575	477	374	722	598		
12,5	12,18	123	150,4	1940	394	762	631	313	605	501	365	705	584		
14	14,22	105	158,0	1746	370	715	592	293	566	469	344	665	551		
16	15,48	97	125,0	1326	309	598	504	246	475	400	328	634	535	3	(P1) 162 - 163 (P1) 166 - 167 (P5) 178 - 179 (P4) 190 - 191 (P4) 194 - 195
18	18,07	83	145	1318	294	568	479	236	457	385	311	601	507		
20	19,51	77	155	1305	297	574	484	243	469	396	313	605	510		
22,4	22,77	66	158	1140	283	547	461	229	443	374	299	578	487		
25	24,41	61	158	1064	263	508	428	233	451	380	271	523	441		
28	28,49	53	158	911	253	488	412	222	428	361	261	505	425		
31,5	30,56	49	158	849	233	450	379	216	418	352	237	458	386		
35,5	35,67	42	158	728	225	434	366	207	400	337	229	443	374		
40	38,23	39	158	679	221	427	360	204	394	332	225	435	367		
45	44,63	34	158	582	213	412	347	195	377	318	218	421	355		
50	48,01	31	158	541	198	383	323	188	362	305	201	389	328		
56	56,04	27	158	463	192	371	313	180	348	294	195	377	318		
63	63,19	24	158	411	181	350	295	175	339	286	183	353	297		
71	70,87	21	158	366	175	339	286	169	327	275	177	342	288		
80	79,92	19	158	325	172	332	280	165	320	270	174	336	283		
90	90,49	17	158	292	193	-	315	176	-	287	195	-	317	4	(P1) 164 - 165 (P1) 168 - 169 (P5) 160 - 161 (P4) 192 - 193 (P4) 196 - 197
100	102,05	15	158	259	189	-	308	171	-	279	191	-	311		
112	113,38	13	158	233	184	-	300	167	-	272	186	-	302		
125	127,85	12	158	206	180	-	293	162	-	264	182	-	296		
140	140,25	11	158	188	167	-	273	160	-	261	168	-	274		
160	158,16	9,5	158	167	164	-	267	156	-	254	165	-	268		
180	175,72	8,5	158	150	159	-	260	152	-	247	160	-	261		
200	198,15	7,6	158	133	156	-	254	148	-	241	157	-	255		
224	220,64	6,8	158	120	144	-	234	139	-	227	144	-	235		
250	248,82	6,0	158	106	141	-	229	136	-	222	141	-	230		
280	282,70	5,3	158	93	139	-	226	134	-	218	139	-	227		
315	314,68	4,8	158	84	130	-	212	128	-	208	131	-	213		
355	357,53	4,2	158	74	128	-	208	125	-	204	128	-	209		

Notes: (*) = Consult WEG.

(-) = Not available.

When the fan is installed on the input flange, PT is derated by 20%.

Right angle T only 3 and 4 stages.

1) 2-stage gearboxes maximum permissible speed 1,200 rpm.

2) Forced lubrication.

Selection tables

Right angle gearbox

W16 R/T - 1,500 rpm

W16 - n1 = 1500 rpm ¹⁾														178 kNm	
iN	i _{ex}	n2 [rpm]	M2 [kNm]	P1 [kW]	PT - 20 °C [kW]									ST	Dimensions
					Mounting position - P1			Mounting position - P5			Mounting position - P4 ²⁾				
					PTG	PTV	PTC	PTG	PTV	PTC	PTG	PTV	PTC		
7,1	7,11	211	136	3013	534	1033	850	320	618	508	404	781	642	2	(P1) 160 - 161 (P5) 176 - 177 (P4) 188 - 189
8	8,27	181	159	3013	506	979	805	321	620	510	406	784	645		
9	8,55	175	156	2876	504	974	801	330	638	525	415	802	660		
10	9,95	151	168	2651	472	912	750	315	608	501	399	771	635		
11,2	10,86	138	163	2363	453	876	721	319	616	507	397	766	631		
12,5	12,64	119	174	2168	424	820	675	301	581	478	377	728	599		
14	13,64	110	168	1940	400	773	636	317	612	503	369	713	586		
16	15,87	95	178	1760	375	725	597	297	575	473	348	673	554		
18	17,33	87	140	1327	314	606	507	249	482	404	332	643	538	3	(P1) 162 - 163 (P1) 166 - 167 (P5) 178 - 179 (P4) 190 - 191 (P4) 194 - 195
20	20,17	74	160	1304	298	575	482	240	464	388	315	609	510		
22,4	21,84	69	170	1279	301	582	487	248	478	401	317	612	512		
25	25,41	59	178	1151	287	554	464	233	450	377	303	586	490		
28	27,32	55	178	1070	267	515	431	237	458	383	274	530	444		
31,5	31,79	47	178	920	256	495	414	225	434	364	264	511	428		
35,5	34,21	44	178	855	236	456	382	219	424	355	240	465	389		
40	39,80	38	178	735	228	440	369	210	406	340	232	449	376		
45	42,80	35	178	683	224	433	363	207	400	335	228	442	370		
50	49,80	30	178	587	216	418	350	198	383	320	221	427	357		
56	53,74	28	178	544	201	389	326	190	368	308	204	394	330		
63	62,53	24	178	468	194	376	315	183	353	296	198	382	320		
71	70,52	21	178	415	184	355	297	178	344	288	185	358	300		
80	79,09	19	178	370	178	343	288	171	331	277	179	347	290		
90	89,19	17	178	328	174	337	282	168	324	272	176	340	285		
100	100,99	15	178	295	196	-	317	179	-	289	197	-	319	4	(P1) 164 - 165 (P1) 168 - 169 (P5) 160 - 161 (P4) 192 - 193 (P4) 196 - 197
112	113,88	13	178	261	191	-	310	174	-	281	193	-	313		
125	126,52	12	178	235	186	-	302	169	-	274	188	-	304		
140	142,68	11	178	208	182	-	295	164	-	266	184	-	298		
160	156,52	10	178	190	170	-	274	162	-	262	170	-	276		
180	176,50	8,5	178	169	166	-	269	158	-	256	167	-	270		
200	196,09	7,6	178	152	162	-	261	154	-	249	162	-	263		
224	221,13	6,8	178	135	158	-	256	150	-	242	159	-	257		
250	246,23	6,1	178	121	146	-	236	141	-	229	146	-	236		
280	277,67	5,4	178	107	143	-	231	138	-	223	143	-	231		
315	315,48	4,8	178	94	141	-	228	136	-	220	141	-	228		
355	351,17	4,3	178	85	132	-	214	130	-	210	132	-	214		
400	398,99	3,8	178	75	130	-	210	127	-	206	130	-	210		

Notes: (*) = Consult WEG.
 (-) = Not available.
 When the fan is installed on the input flange, PT is derated by 20%.
 Right angle T only 3 and 4 stages.
 1) 2-stage gearboxes maximum permissible speed 1,200 rpm.
 2) Forced lubrication.

Selection tables

Right angle gearbox

W01 R/T - 1,200 rpm

W01 - n1 = 1200 rpm														7,5 kNm	
iN	i _{ex}	n2 [rpm]	M2 [kNm]	P1 [kW]	PT - 20 °C [kW]									ST	Dimensions
					Mounting position - P1			Mounting position - P5			Mounting position - P4 ¹⁾				
					PTG	PTV	PTC	PTG	PTV	PTC	PTG	PTV	PTC		
6,3	6,26	192	7,2	144	77	128	-	75	124	-	76	126	-	2	(P1) 160 - 161 (P5) 176 - 177 (P4) 188 - 189
7,1	7,25	166	7,5	130	73	121	-	71	118	-	72	120	-		
8	7,66	157	7,4	122	75	125	-	73	122	-	74	123	-		
9	8,86	135	7,5	106	71	118	-	70	115	-	71	117	-		
10	9,71	124	7,1	91	65	107	-	64	106	-	64	107	-		
11,2	11,23	107	7,5	84	62	102	-	61	101	-	61	102	-		
12,5	12,19	98	7,2	74	58	97	-	58	96	-	58	96	-		
14	14,10	85	7,5	67	56	92	-	55	91	-	55	92	-		
16	15,66	77	7,5	60	38	64	-	38	63	-	38	63	-		
18	18,12	66	7,5	52	37	61	-	36	61	-	37	61	-		
20	19,93	60	7,5	47	38	62	-	37	62	-	37	62	-		
22,4	23,06	52	7,5	41	36	60	-	36	59	-	36	60	-		
25	24,76	48	7,5	38	36	60	-	36	59	-	36	60	-		
28	28,64	42	7,5	33	35	58	-	34	57	-	35	57	-		
31,5	30,89	39	7,5	31	31	52	-	31	52	-	31	52	-		
35,5	35,73	34	7,5	26	30	50	-	30	50	-	30	50	-		
40	38,38	31	7,5	25	30	50	-	30	50	-	30	50	-		
45	44,39	27	7,5	21	29	48	-	29	48	-	29	48	-		
50	48,19	25	7,5	20	27	44	-	27	44	-	27	44	-		
56	55,74	22	7,5	17	26	43	-	26	43	-	26	43	-		
63	63,09	19	7,5	15	25	42	-	25	42	-	25	42	-		
71	70,49	17	7,5	13	24	40	-	24	40	-	24	40	-		
80	79,79	15	7,5	12	23	38	-	23	38	-	23	38	-		

Notes: (*) = Consult WEG.

(-) = Not available.

When the fan is installed on the input flange, PT is derated by 20%.

Right angle T only 3 and 4 stages.

1) Forced lubrication.

Selection tables

Right angle gearbox

W02 R/T - 1,200 rpm

W02 - n1 = 1200 rpm														9,5 kNm	
iN	i _{ex}	n2 [rpm]	M2 [kNm]	P1 [kW]	PT - 20 °C [kW]									ST	Dimensions
					Mounting position - P1			Mounting position - P5			Mounting position - P4 ¹⁾				
					PTG	PTV	PTC	PTG	PTV	PTC	PTG	PTV	PTC		
8	7,85	153	9,0	144	82	135	-	79	131	-	80	133	-	2	(P1) 160 - 161 (P5) 176 - 177 (P4) 188 - 189
9	9,03	133	9,5	132	77	129	-	75	125	-	76	127	-		
10	9,60	125	9,3	122	80	132	-	78	129	-	79	131	-		
11,2	11,04	109	9,5	108	75	125	-	73	122	-	75	124	-		
12,5	12,17	99	8,8	91	68	113	-	67	112	-	68	113	-		
14,2	14,00	86	9,5	85	65	108	-	64	106	-	65	107	-		
16	15,28	79	9,0	74	61	102	-	61	101	-	61	102	-		
18	17,58	68	9,5	68	59	97	-	58	96	-	58	97	-		
20	19,63	61	9,5	61	42	69	-	41	69	-	42	69	-	3	(P1) 162 - 163 (P1) 166 - 167 (P5) 178 - 179 (P4) 190 - 191 (P4) 194 - 195
22,4	22,58	53	9,5	53	40	67	-	40	66	-	40	66	-		
25	24,99	48	9,5	48	41	68	-	41	67	-	41	68	-		
28	28,74	42	9,5	42	40	66	-	39	65	-	39	65	-		
31,5	31,04	39	9,5	38	39	65	-	39	65	-	39	65	-		
35,5	35,70	34	9,5	33	38	63	-	37	62	-	38	63	-		
40	38,73	31	9,5	31	34	57	-	34	56	-	34	56	-		
45	44,55	27	9,5	27	33	55	-	33	54	-	33	55	-		
50	48,10	25	9,5	25	33	54	-	33	54	-	33	54	-		
56	55,33	22	9,5	22	32	52	-	31	52	-	32	52	-		
63	60,40	20	9,5	20	29	48	-	29	48	-	29	48	-		
71	69,48	17	9,5	17	28	47	-	28	47	-	28	47	-		
80	78,65	15	9,5	15	27	45	-	27	45	-	27	45	-		
90	87,87	14	9,5	14	26	43	-	26	43	-	26	43	-		
100	99,46	12	9,5	12	25	42	-	25	42	-	25	42	-		

Notes: (*) = Consult WEG.

(-) = Not available.

When the fan is installed on the input flange, PT is derated by 20%.

Right angle T only 3 and 4 stages.

1) Forced lubrication.

Selection tables

Right angle gearbox

W03 R/T - 1,200 rpm

W03 - n1 = 1200 rpm														13 kNm	
iN	i _{ex}	n2 [rpm]	M2 [kNm]	P1 [kW]	PT - 20 °C [kW]									ST	Dimensions
					Mounting position - P1			Mounting position - P5			Mounting position - P4 ¹⁾				
					PTG	PTV	PTC	PTG	PTV	PTC	PTG	PTV	PTC		
6,3	6,26	192	12,0	240	108	179	287	104	172	276	106	176	282	2	(P1) 160 - 161 (P5) 176 - 177 (P4) 188 - 189
7,1	7,25	166	13,0	225	103	170	272	99	164	262	101	168	268		
8	7,64	157	12,7	208	106	175	281	102	169	271	104	173	277		
9	8,84	136	13,0	185	100	166	266	96	160	256	99	164	263		
10	9,71	124	12,9	167	94	157	251	92	153	245	94	156	249		
11,2	11,23	107	13,0	145	90	149	238	87	145	232	89	148	236		
12,5	12,19	98	11,8	121	83	137	219	81	135	216	82	137	218		
14,2	14,10	85	13,0	116	79	131	209	78	129	206	78	130	208		
16	15,66	77	13,0	104	54	89	148	53	88	146	54	89	147	3	(P1) 162 - 163 (P1) 166 - 167 (P5) 178 - 179 (P4) 190 - 191 (P4) 194 - 195
18	18,12	66	13,0	90	52	86	143	51	85	140	52	85	142		
20	19,93	60	13,0	82	52	87	144	51	85	141	52	86	143		
22,4	23,06	52	13,0	71	50	83	138	49	82	136	50	83	137		
25	24,69	49	13,0	66	50	83	138	49	82	135	50	83	137		
28	28,56	42	13,0	57	48	80	132	47	78	130	48	79	132		
31,5	30,89	39	13,0	53	45	74	123	44	74	122	45	74	123		
35,5	35,73	34	13,0	46	43	72	119	43	71	118	43	71	118		
40	38,27	31	13,0	43	43	71	118	43	71	117	43	71	118		
45	44,26	27	13,0	37	41	69	114	41	68	113	41	69	114		
50	48,05	25	13,0	34	38	63	104	38	63	104	38	63	104		
56	55,58	22	13,0	29	37	61	101	36	60	100	37	61	101		
63	63,46	19	13,0	26	37	61	101	37	61	101	37	61	101		
71	70,29	17	13,0	23	34	57	94	34	57	94	34	57	94		
80	80,26	15	13,0	20	34	57	94	34	56	94	34	57	94		
90	90,44	13	13,0	18	33	-	90	33	-	90	33	-	90		
100	103,26	12	13,0	16	33	-	89	32	-	89	32	-	89		
112	112,65	11	13,0	15	31	-	85	31	-	85	31	-	85		
125	128,62	9	13,0	13	31	-	85	31	-	84	31	-	85		
142	140,16	9	13,0	12	29	-	80	29	-	80	29	-	80		
160	160,04	7	13,0	10	29	-	79	29	-	79	29	-	79		
180	174,59	7	13,0	9	27	-	76	27	-	75	27	-	75		
200	199,35	6	13,0	8	27	-	75	27	-	75	27	-	75		
224	219,23	5	13,0	7	24	-	66	24	-	66	24	-	66		
250	250,32	5	13,0	7	24	-	65	24	-	65	24	-	65		
280	284,06	4	13,0	6	24	-	65	24	-	65	24	-	65		
315	316,58	4	13,0	5	24	-	65	23	-	65	23	-	65		
355	359,25	3	13,0	5	23	-	64	23	-	64	23	-	64		

Notes: (*) = Consult WEG.
 (-) = Not available.
 When the fan is installed on the input flange, PT is derated by 20%.
 Right angle T only 3 and 4 stages.
 1) Forced lubrication.

Selection tables

Right angle gearbox

W04 R/T - 1,200 rpm

W04- n1 = 1200 rpm													16,5 kNm		
iN	i _{ex}	n2 [rpm]	M2 [kNm]	P1 [kW]	PT - 20 °C [kW]									ST	Dimensions
					Mounting position - P1			Mounting position - P5			Mounting position - P4 ¹⁾				
					PTG	PTV	PTC	PTG	PTV	PTC	PTG	PTV	PTC		
8	7,85	153	15,0	240	121	202	303	116	193	290	119	197	297	2	(P1) 160 - 161 (P5) 176 - 177 (P4) 188 - 189
9	9,03	133	16,5	230	115	191	287	110	183	275	113	187	282		
10	9,58	125	15,9	208	119	197	296	114	189	285	117	194	292		
11,2	11,02	109	16,5	188	112	186	280	108	179	269	111	184	276		
12,5	12,17	99	16,2	167	106	176	264	103	172	258	105	174	262		
14,2	14,00	86	16,5	148	100	166	250	98	162	244	99	165	248		
16	15,28	79	14,8	121	93	154	231	91	151	228	92	153	230		
18	17,58	68	16,5	118	88	146	220	87	144	216	88	145	219		
20	19,63	61	16,5	106	59	97	154	58	96	152	58	96	153	3	(P1) 162 - 163 (P1) 166 - 167 (P5) 178 - 179 (P4) 190 - 191 (P4) 194 - 195
22,4	22,58	53	16,5	92	56	93	148	55	92	146	56	93	147		
25	24,99	48	16,5	83	57	94	149	56	92	147	56	93	148		
28	28,74	42	16,5	72	54	90	143	53	88	141	54	90	142		
31,5	30,95	39	16,5	67	54	90	143	53	88	141	54	89	142		
35,5	35,60	34	16,5	58	52	86	137	51	85	135	52	86	136		
40	38,73	31	16,5	54	48	80	127	48	80	126	48	80	127		
45	44,55	27	16,5	47	46	77	123	46	77	122	46	77	122		
50	47,97	25	16,5	43	46	77	122	46	76	121	46	77	122		
56	55,18	22	16,5	38	45	74	118	44	73	117	45	74	117		
63	60,23	20	16,5	34	41	68	107	41	67	107	41	67	107		
71	69,28	17	16,5	30	39	65	104	39	65	103	39	65	104		
80	79,11	15	16,5	26	39	66	104	39	65	104	39	65	104		
90	87,62	14	16,5	24	37	61	97	37	61	97	37	61	97		
100	100,05	12	16,5	21	37	61	97	37	61	97	37	61	97		
112	112,74	11	16,5	18	35	-	93	35	-	94	36	-	94	4	(P1) 164 - 165 (P1) 168 - 169 (P5) 160 - 161 (P4) 192 - 193 (P4) 196 - 197
125	128,72	9	16,5	16	35	-	92	35	-	93	35	-	93		
142	140,43	9	16,5	15	33	-	88	34	-	89	34	-	89		
160	160,34	7	16,5	13	33	-	87	33	-	88	33	-	88		
180	174,73	7	16,5	12	31	-	82	31	-	83	31	-	83		
200	199,50	6	16,5	10	31	-	82	31	-	82	31	-	82		
224	217,64	6	16,5	10	30	-	78	30	-	78	30	-	78		
250	248,50	5	16,5	8	29	-	77	29	-	78	29	-	78		
280	273,29	4	16,5	8	26	-	67	26	-	68	26	-	68		
315	312,04	4	16,5	7	25	-	67	26	-	68	26	-	68		
355	354,10	3	16,5	6	25	-	67	26	-	67	26	-	67		
400	394,63	3	16,5	5	25	-	67	25	-	67	25	-	67		
450	447,84	3	16,5	5	25	-	66	25	-	66	25	-	66		

Notes: (*) = Consult WEG.
 (-) = Not available.
 When the fan is installed on the input flange, PT is derated by 20%.
 Right angle T only 3 and 4 stages.
 1) Forced lubrication.

Selection tables

Right angle gearbox

W05 R/T - 1,200 rpm

W05 - n1 = 1200 rpm														22 kNm	
iN	i _{ex}	n2 [rpm]	M2 [kNm]	P1 [kW]	PT - 20 °C [kW]									ST	Dimensions
					Mounting position - P1			Mounting position - P5			Mounting position - P4 ¹⁾				
					PTG	PTV	PTC	PTG	PTV	PTC	PTG	PTV	PTC		
6,3	6,26	192	22	441	173	287	370	160	265	343	167	277	358	2	(P1) 160 - 161 (P5) 176 - 177 (P4) 188 - 189
7,1	7,25	166	22	381	161	267	345	149	247	319	156	259	334		
8	7,64	157	22	362	159	264	343	149	247	320	155	258	334		
9	8,84	136	22	313	150	248	321	139	231	299	146	242	313		
10	9,71	124	21,5	279	137	228	294	132	220	284	135	225	290		
11,2	11,23	107	22	246	129	213	276	124	206	265	127	211	272		
12,5	12,19	98	19,8	205	117	195	251	115	190	246	116	193	249		
14	14,10	85	22	196	111	184	237	108	180	232	110	182	235		
16	16,23	74	19,2	155	90	149	192	87	144	187	90	149	193		
18	18,77	64	22	154	85	141	182	83	138	178	85	142	183		
20	20,48	59	22	141	87	144	186	85	140	181	87	144	186		
22,4	23,69	51	22	122	84	139	179	81	135	175	84	139	180		
25	25,10	48	22	115	86	143	185	84	140	181	87	144	186		
28	29,04	41	22	100	83	138	178	81	135	174	83	138	179		
31,5	30,89	39	22	94	68	113	145	67	112	144	68	113	146		
35,5	35,73	34	22	81	66	109	141	65	109	140	66	110	142		
40	38,35	31	22	75	66	110	142	66	109	141	66	110	142		
45	44,36	27	22	65	64	106	137	64	105	136	64	107	138		
50	48,16	25	22	60	59	99	127	59	98	126	59	99	127		
56	55,70	22	22	52	58	96	124	57	95	123	58	96	124		
63	63,46	19	22	46	59	99	127	59	98	126	59	99	127		
71	70,45	17	22	41	54	89	115	53	89	114	54	89	115		
80	80,26	15	22	36	52	86	111	52	86	111	52	86	111		
90	91,07	13	22	32	57	95	123	57	94	121	57	95	123		
100	103,75	12	22	28	55	92	119	55	91	117	55	92	119		
112	113,13	11	22	26	55	91	118	54	90	116	55	92	118		
125	128,88	9,3	22	23	53	88	114	52	87	112	53	88	114		
140	141,15	8,5	22	21	49	81	104	48	80	104	49	81	104		
160	160,80	7,5	22	18	47	78	101	47	78	100	47	78	101		
180	175,33	6,8	22	17	47	78	100	47	77	100	47	78	100		
200	199,75	6,0	22	15	45	75	97	45	75	96	45	75	97		
224	220,16	5,5	22	13	44	73	94	44	72	94	44	73	94		
250	250,82	4,8	22	12	42	70	91	42	70	91	42	70	91		
280	283,90	4,2	22	10	40	66	85	40	66	85	40	66	85		
315	317,21	3,8	22	9	38	63	81	38	62	81	38	63	81		
355	359,05	3,3	22	8,2	37	61	79	37	61	78	37	61	79		
														4	(P1) 164 - 165 (P1) 168 - 169 (P5) 160 - 161 (P4) 192 - 193 (P4) 196 - 197

Notes: (*) = Consult WEG.
 (-) = Not available.
 When the fan is installed on the input flange, PT is derated by 20%.
 Right angle T only 3 and 4 stages.
 1) Forced lubrication.

Selection tables

Right angle gearbox

W06 R/T - 1,200 rpm

W06 - n1 = 1200 rpm														28 kNm	
iN	i _{ex}	n2 [rpm]	M2 [kNm]	P1 [kW]	PT - 20 °C [kW]									ST	Dimensions
					Mounting position - P1			Mounting position - P5			Mounting position - P4 ¹⁾				
					PTG	PTV	PTC	PTG	PTV	PTC	PTG	PTV	PTC		
8	7,85	153	28	448	195	324	394	179	298	363	187	311	379	2	(P1) 160 - 161 (P5) 176 - 177 (P4) 188 - 189
9	9,03	133	28	389	181	301	367	167	277	338	175	290	354		
10	9,58	125	28	367	181	301	367	169	280	341	176	292	356		
11,2	11,02	109	28	319	169	280	341	157	260	317	164	272	332		
12,5	12,17	99	27,0	279	155	257	313	149	247	301	152	253	308		
14	14,00	86	28	251	145	240	293	139	231	282	143	237	289		
16	15,28	79	24,9	205	132	219	267	129	214	261	131	217	265		
18	17,58	68	28	200	125	207	252	122	202	246	124	205	250		
20	20,34	59	24	155	96	160	199	93	155	193	96	160	200	3	(P1) 162 - 163 (P1) 166 - 167 (P5) 178 - 179 (P4) 190 - 191 (P4) 194 - 195
22,4	23,40	51	27	152	91	152	189	89	147	184	92	152	190		
25	25,67	47	28	143	93	154	192	90	150	187	93	154	192		
28	29,53	41	28	125	89	148	185	87	144	180	90	149	186		
31,5	31,47	38	28	117	93	154	192	90	150	187	93	154	192		
35,5	36,19	33	28	102	89	148	184	87	144	180	89	148	185		
40	38,73	31	28	95	73	121	151	72	120	149	73	121	151		
45	44,55	27	28	83	71	117	146	70	116	145	71	117	146		
50	48,08	25	28	77	71	117	147	70	117	145	71	118	147		
56	55,30	22	28	67	69	114	142	68	113	141	69	114	142		
63	60,37	20	28	61	64	105	132	63	105	131	64	106	132		
71	69,44	17	28	53	62	102	128	61	102	127	62	102	128		
80	79,11	15	28	47	59	98	122	59	98	122	59	98	122		
90	87,82	14	28	42	57	95	119	57	95	118	57	95	119		
100	100,05	12	28	37	56	92	115	55	92	114	56	92	115		
112	113,53	11	28	33	61	-	127	60	-	125	61	-	127	4	(P1) 164 - 165 (P1) 168 - 169 (P5) 160 - 161 (P4) 192 - 193 (P4) 196 - 197
125	129,34	9	28	29	59	-	123	58	-	121	59	-	123		
140	141,02	9	28	27	59	-	122	58	-	120	59	-	122		
160	160,66	7,5	28	23	57	-	118	56	-	116	57	-	118		
180	175,95	6,8	28	21	52	-	108	52	-	107	52	-	108		
200	200,45	6,0	28	19	50	-	104	50	-	104	50	-	104		
224	218,57	5,5	28	17	50	-	104	50	-	103	50	-	104		
250	249,00	4,8	28	15	48	-	100	48	-	100	48	-	100		
280	274,45	4,4	28	14	45	-	93	45	-	93	45	-	93		
315	312,66	3,8	28	12	44	-	90	44	-	90	44	-	90		
355	353,90	3,4	28	11	43	-	88	42	-	88	43	-	88		
400	395,43	3,0	28	9	40	-	84	40	-	83	40	-	84		
450	447,58	2,7	28	8	39	-	81	39	-	81	39	-	81		

Notes: (*) = Consult WEG.

(-) = Not available.

When the fan is installed on the input flange, PT is derated by 20%.

Right angle T only 3 and 4 stages.

1) Forced lubrication.

Selection tables

Right angle gearbox

W07 R/T - 1,200 rpm

W07 - n1 = 1200 rpm														36 kNm	
iN	i _{ex}	n2 [rpm]	M2 [kNm]	P1 [kW]	PT - 20 °C [kW]									ST	Dimensions
					Mounting position - P1			Mounting position - P5			Mounting position - P4 ¹⁾				
					PTG	PTV	PTC	PTG	PTV	PTC	PTG	PTV	PTC		
6,3	6,35	189	33,0	653	279	464	489	246	408	430	264	438	462	2	(P1) 160 - 161 (P5) 176 - 177 (P4) 188 - 189
7,1	7,35	163	35,9	613	260	431	455	231	383	404	248	411	434		
8	7,64	157	35,1	577	261	433	457	235	390	411	251	416	439		
9	8,84	136	36	512	243	404	426	219	363	383	234	389	410		
10	9,71	124	35,9	464	228	378	398	213	354	373	222	369	389		
11,2	11,23	107	36	403	213	353	373	199	330	349	208	346	364		
12,5	12,19	98	36	371	198	329	347	190	315	332	195	324	342		
14	14,10	85	36	321	186	308	325	178	295	311	183	304	321		
16	15,89	76	31	256	143	237	254	136	225	241	144	239	256		
18	18,38	65	35	250	136	225	241	129	214	230	137	227	243		
20	19,89	60	36	238	136	226	241	130	216	231	137	227	243		
22,4	23,01	52	36	206	130	215	231	124	206	221	131	217	232		
25	25,05	48	36	189	121	201	216	118	197	210	122	202	216		
28	28,97	41	36	163	117	195	209	114	190	203	118	196	210		
31,5	30,39	39	36	156	107	177	190	105	175	187	107	178	190		
35,5	35,16	34	36	135	104	172	184	102	169	181	104	173	185		
40	38,27	31	36	124	101	167	179	99	164	176	101	168	179		
45	44,26	27	36	107	98	162	174	96	159	171	98	163	174		
50	48,05	25	36	98	89	147	157	88	146	156	89	147	158		
56	55,58	22	36	85	86	143	153	85	142	152	86	143	153		
63	63,88	19	36	74	82	136	146	81	135	145	82	136	146		
71	70,29	17	36	67	80	132	142	79	131	141	80	132	142		
80	80,78	15	36	59	79	131	140	78	130	139	79	131	141		
90	90,87	13	36	53	85	-	151	83	-	148	85	-	151		
100	104,43	11	36	46	84	-	150	82	-	146	85	-	150		
112	112,56	11	36	43	82	-	146	80	-	142	82	-	146		
125	129,36	9	36	37	81	-	144	79	-	141	81	-	144		
140	140,84	9	36	34	74	-	131	73	-	130	74	-	132		
160	161,86	7,4	36	30	73	-	130	73	-	129	73	-	130		
180	174,45	6,9	36	28	71	-	127	71	-	125	71	-	127		
200	200,48	6,0	36	24	71	-	125	70	-	124	71	-	125		
224	219,05	5,5	36	22	64	-	113	64	-	113	64	-	114		
250	251,74	4,8	36	19	63	-	112	63	-	112	63	-	112		
280	287,44	4,2	36	17	63	-	112	62	-	111	63	-	112		
315	318,38	3,8	36	15	59	-	105	59	-	105	59	-	105		
355	363,52	3,3	36	13	58	-	103	58	-	103	58	-	103		
														4	(P1) 164 - 165 (P1) 168 - 169 (P5) 160 - 161 (P4) 192 - 193 (P4) 196 - 197

Notes: (*) = Consult WEG.
 (-) = Not available.
 When the fan is installed on the input flange, PT is derated by 20%.
 Right angle T only 3 and 4 stages.
 1) Forced lubrication.

Selection tables

Right angle gearbox

W08 R/T - 1,200 rpm

W08 - n1 = 1200 rpm														46 kNm	
iN	i _{ex}	n2 [rpm]	M2 [kNm]	P1 [kW]	PT - 20 °C [kW]									ST	Dimensions
					Mounting position - P1			Mounting position - P5			Mounting position - P4 ¹⁾				
					PTG	PTV	PTC	PTG	PTV	PTC	PTG	PTV	PTC		
8	7,97	151	41,4	653	294	488	504	256	424	439	274	455	471	2	(P1) 160 - 161 (P5) 176 - 177 (P4) 188 - 189
9	9,16	131	44,7	613	273	453	468	240	399	412	258	428	443		
10	9,58	125	44,0	577	275	456	471	246	408	421	262	435	449		
11,2	11,02	109	46	524	255	424	438	229	381	393	245	407	420		
12,5	12,17	99	44,97	464	240	398	411	224	371	384	233	387	400		
14	14,00	86	46	413	224	371	384	209	347	359	218	362	374		
16	15,28	79	46	378	209	346	358	200	331	342	205	340	352		
18	17,58	68	46	329	195	324	335	187	310	320	193	319	330		
20	19,92	60	38	251	147	244	257	140	233	245	148	246	258		
22,4	22,91	52	43	247	140	233	245	134	222	234	141	235	247		
25	24,94	48	46	242	140	233	245	135	224	235	141	234	247		
28	28,68	42	46	211	135	225	236	129	215	226	136	226	238		
31,5	31,40	38	46	193	127	210	221	124	205	216	127	211	222		
35,5	36,11	33	46	167	122	203	213	119	198	208	123	204	214		
40	38,10	31	46	159	111	185	194	110	182	192	112	185	195		
45	43,83	27	46	138	108	179	188	106	176	185	108	180	189		
50	47,97	25	46	126	105	174	183	103	172	180	105	175	184		
56	55,18	22	46	110	102	169	178	100	166	175	102	169	178		
63	60,23	20	46	100	92	153	161	92	152	160	93	154	161		
71	69,28	17	46	87	90	149	157	89	147	155	90	149	157		
80	79,63	15	46	76	85	142	149	85	141	148	86	142	149		
90	87,62	14	46	69	83	138	145	83	137	144	83	138	145		
100	100,70	12	46	60	82	137	144	82	136	143	82	137	144		
112	113,28	11	46	54	89	-	155	87	-	152	89	-	155		
125	130,18	9	46	47	88	-	153	86	-	150	88	-	153		
140	140,31	9	46	44	85	-	149	83	-	146	85	-	149		
160	161,25	7	46	38	84	-	147	82	-	144	85	-	148		
180	175,56	7	46	35	77	-	134	76	-	133	77	-	134		
200	201,76	5,9	46	30	76	-	133	76	-	132	76	-	133		
224	217,46	5,5	46	28	74	-	129	73	-	128	74	-	130		
250	249,92	4,8	46	25	73	-	128	73	-	127	74	-	128		
280	273,06	4,4	46	23	67	-	116	66	-	115	67	-	116		
315	313,82	3,8	46	20	66	-	115	66	-	114	66	-	115		
355	358,31	3,3	46	17	65	-	114	65	-	113	65	-	114		
400	396,89	3,0	46	15	62	-	107	61	-	107	62	-	107		
450	453,16	2,6	46	14	61	-	106	60	-	105	61	-	106		
														4	(P1) 164 - 165 (P1) 168 - 169 (P5) 160 - 161 (P4) 192 - 193 (P4) 196 - 197

Notes: (*) = Consult WEG.
 (-) = Not available.
 When the fan is installed on the input flange, PT is derated by 20%.
 Right angle T only 3 and 4 stages.
 1) Forced lubrication.

Selection tables

Right angle gearbox

W09 R/T - 1,200 rpm

W09 - n1 = 1200 rpm														58.5 kNm	
iN	i _{ex}	n2 [rpm]	M2 [kNm]	P1 [kW]	PT - 20 °C [kW]									ST	Dimensions
					Mounting position - P1			Mounting position - P5			Mounting position - P4 ¹⁾				
					PTG	PTV	PTC	PTG	PTV	PTC	PTG	PTV	PTC		
6,3	6,35	189	45,25	895	308	510	553	259	430	466	282	468	508	2	(P1) 160 - 161 (P5) 176 - 177 (P4) 188 - 189
7,1	7,35	163	52,34	895	288	478	518	248	412	447	269	447	485		
8	7,64	157	54,80	901	287	477	517	251	416	451	271	450	488		
9	8,84	136	58,50	831	269	446	483	236	391	424	256	424	460		
10	9,71	124	55,93	724	249	413	447	229	380	412	241	399	433		
11,2	11,23	107	58,50	653	233	387	420	215	357	387	227	376	408		
12,5	12,19	98	58,50	602	219	363	394	207	344	373	215	356	386		
14	14,10	85	58,50	521	206	342	371	194	323	350	202	335	364	3	(P1) 162 - 163 (P1) 166 - 167 (P5) 178 - 179 (P4) 190 - 191 (P4) 194 - 195
16	15,79	76	50	416	160	265	291	151	251	274	161	268	293		
18	18,26	66	57	410	152	253	277	144	240	262	154	255	279		
20	19,69	61	58,5	391	153	253	277	146	241	264	154	255	279		
22,4	22,77	53	58,5	338	147	244	268	140	232	254	149	246	270		
25	24,67	49	58,5	312	145	241	264	139	231	253	146	243	266		
28	28,53	42	58,5	269	140	233	255	134	222	243	141	235	257		
31,5	30,52	39	58,5	252	126	209	229	123	205	224	127	210	230		
35,5	35,30	34	58,5	218	122	203	222	119	198	217	123	204	223		
40	38,23	31	58,5	201	119	197	216	116	192	211	119	198	217		
45	44,22	27	58,5	174	115	191	209	112	186	204	116	192	210		
50	48,01	25	58,5	160	104	173	190	103	171	187	105	173	190		
56	55,53	22	58,5	138	102	168	184	100	166	182	102	169	185	4	(P1) 164 - 165 (P1) 168 - 169 (P5) 160 - 161 (P4) 192 - 193 (P4) 196 - 197
63	63,09	19	58,5	122	96	159	174	95	158	173	96	159	174		
71	70,23	17	58,5	109	93	155	169	92	153	168	93	155	170		
80	79,79	15	58,5	96	92	153	168	91	152	166	93	154	168		
90	90,78	13	58,5	86	100	-	182	98	-	178	100	-	182		
100	103,15	12	58,5	76	99	-	180	97	-	176	99	-	181		
112	112,70	11	58,5	69	97	-	177	95	-	173	98	-	177		
125	128,05	9	58,5	61	96	-	175	94	-	171	97	-	176		
140	140,70	9	58,5	56	87	-	158	86	-	156	87	-	158		
160	159,86	7,5	58,5	49	86	-	156	85	-	155	86	-	157		
180	174,67	6,9	58,5	45	84	-	153	84	-	152	85	-	154		
200	198,46	6,0	58,5	39	84	-	152	83	-	150	84	-	152		
224	219,33	5,5	58,5	36	77	-	141	77	-	140	78	-	141		
250	249,20	4,8	58,5	31	77	-	139	76	-	138	77	-	139		
280	283,90	4,2	58,5	28	75	-	136	74	-	135	75	-	136		
315	315,17	3,8	58,5	25	72	-	130	71	-	130	72	-	130		
355	359,05	3,3	58,5	22	70	-	126	69	-	126	70	-	126		

Notes: (*) = Consult WEG.

(-) = Not available.

When the fan is installed on the input flange, PT is derated by 20%.

Right angle T only 3 and 4 stages.

1) Forced lubrication.

Selection tables

Right angle gearbox

W10 R/T - 1,200 rpm

W10 - n1 = 1200 rpm														67 kNm	
iN	i _{ex}	n2 [rpm]	M2 [kNm]	P1 [kW]	PT - 20 °C [kW]									ST	Dimensions
					Mounting position - P1			Mounting position - P5			Mounting position - P4 ¹⁾				
					PTG	PTV	PTC	PTG	PTV	PTC	PTG	PTV	PTC		
7,1	7,16	168	51,13	897	318	528	565	266	441	472	289	480	514	2	(P1) 160 - 161 (P5) 176 - 177 (P4) 188 - 189
8	8,26	145	58,95	897	298	495	529	255	423	453	277	459	491		
9	8,61	139	61,74	901	297	494	528	258	429	459	280	464	496		
10	9,93	121	67,00	848	278	461	493	244	404	433	264	438	468		
11,2	10,94	110	63,02	724	257	427	457	236	392	419	248	412	441		
12,5	12,62	95	67,00	667	242	401	429	222	369	395	234	389	416		
14	13,74	87	66,28	606	227	376	403	214	356	380	222	368	394		
16	15,84	76	67,00	531	213	354	378	201	334	357	209	347	371		
18	17,79	67	56	414	150	249	270	141	234	254	152	252	273	3	(P1) 162 - 163 (P1) 166 - 167 (P5) 178 - 179 (P4) 190 - 191 (P4) 194 - 195
20	20,51	59	64	410	143	238	257	135	224	242	145	240	260		
22,4	22,18	54	67	397	160	266	288	153	254	275	161	268	290		
25	25,58	47	67	344	154	256	278	147	244	265	156	258	280		
28	27,79	43	67	317	149	247	268	143	237	257	150	249	269		
31,5	32,05	37	67	275	144	239	258	137	228	247	145	241	261		
35,5	34,38	35	67	256	129	215	233	127	210	228	130	215	233		
40	39,65	30	67	222	125	208	226	123	203	220	126	209	226		
45	43,08	28	67	204	122	202	219	119	197	214	122	203	220		
50	49,67	24	67	177	118	196	212	115	191	207	119	197	213		
56	54,09	22	67	163	107	178	192	106	175	190	107	178	193		
63	62,37	19	67	141	104	173	187	102	170	184	104	173	188		
71	70,87	17	67	124	98	163	177	97	162	175	98	163	177		
80	78,88	15	67	112	96	159	172	95	157	170	96	159	172		
90	89,63	13	67	98	95	157	170	94	156	169	95	157	171		
100	101,98	12	67	88	103	-	184	101	-	181	103	-	185	4	(P1) 164 - 165 (P1) 168 - 169 (P5) 160 - 161 (P4) 192 - 193 (P4) 196 - 197
112	115,86	10	67	77	102	-	183	100	-	179	102	-	183		
125	126,60	9	67	71	100	-	179	98	-	176	100	-	180		
140	143,84	8	67	62	99	-	178	97	-	174	99	-	178		
160	158,05	8	67	57	89	-	160	88	-	158	89	-	160		
180	179,57	6,7	67	50	88	-	159	87	-	157	88	-	159		
200	196,21	6,1	67	46	87	-	156	86	-	154	87	-	156		
224	222,93	5,4	67	40	86	-	154	85	-	152	86	-	154		
250	246,38	4,9	67	36	79	-	143	79	-	142	79	-	143		
280	279,93	4,3	67	32	79	-	141	78	-	140	79	-	141		
315	318,90	3,8	67	28	77	-	138	76	-	137	77	-	138		
355	354,02	3,4	67	25	74	-	132	73	-	132	74	-	132		
400	403,32	3,0	67	22	71	-	128	71	-	127	71	-	128		

Notes: (*) = Consult WEG.

(-) = Not available.

When the fan is installed on the input flange, PT is derated by 20%.

Right angle T only 3 and 4 stages.

1) Forced lubrication.

Selection tables

Right angle gearbox

W11 R/T - 1,200 rpm

W11 - n1 = 1200 rpm														80 kNm	
iN	i _{ex}	n2 [rpm]	M2 [kNm]	P1 [kW]	PT - 20 °C [kW]									ST	Dimensions
					Mounting position - P1			Mounting position - P5			Mounting position - P4 ¹⁾				
					PTG	PTV	PTC	PTG	PTV	PTC	PTG	PTV	PTC		
6,3	6,35	189	59,9	1185	369	612	605	299	495	490	331	550	544	2	(P1) 160 - 161 (P5) 176 - 177 (P4) 188 - 189
7,1	7,35	163	69,3	1185	348	578	571	289	480	475	320	531	525		
8	7,64	157	74,1	1219	353	586	579	288	477	472	326	541	535		
9	8,84	136	79,5	1130	331	550	544	271	451	445	309	512	506		
10	9,71	124	75,9	983	306	507	501	269	446	441	292	484	479		
11,2	11,23	107	80,0	895	288	477	472	253	421	416	276	458	452		
12,5	12,19	98	77,6	800	262	435	430	244	405	401	256	424	419		
14	14,10	85	80,0	713	247	410	406	230	382	378	242	401	396		
16	15,89	76	73	604	209	346	345	191	317	315	212	352	351	3	(P1) 162 - 163 (P1) 166 - 167 (P5) 178 - 179 (P4) 190 - 191 (P4) 194 - 195
18	18,38	65	80	572	199	330	329	183	303	302	202	335	334		
20	20,22	59	80	520	199	330	329	184	305	304	202	336	334		
22,4	23,39	51	80	450	192	319	318	176	293	291	196	325	324		
25	24,75	48	80	425	188	313	311	176	292	291	191	317	316		
28	28,63	42	80	367	182	302	301	169	280	279	185	307	306		
31,5	30,89	39	80	340	167	276	275	160	265	264	168	279	278		
35,5	35,73	34	80	294	162	268	267	154	255	254	163	271	270		
40	37,82	32	80	278	158	262	261	150	250	249	159	264	263		
45	43,74	27	80	240	153	254	253	145	241	240	155	256	255		
50	47,48	25	80	221	140	233	232	136	226	225	141	234	233		
56	54,92	22	80	191	136	226	225	132	218	218	137	228	227		
63	63,05	19	80	167	127	211	210	125	208	207	127	212	211		
71	69,46	17	80	151	124	205	204	121	202	201	124	206	205		
80	79,73	15	80	132	119	198	197	117	194	194	120	199	198		
90	88,35	14	80	121	131	-	217	126	-	208	131	-	217	4	(P1) 164 - 165 (P1) 168 - 169 (P5) 160 - 161 (P4) 192 - 193 (P4) 196 - 197
100	101,41	12	80	105	126	-	209	121	-	200	127	-	210		
112	111,23	11	80	96	125	-	207	120	-	198	125	-	207		
125	127,68	9	80	84	120	-	199	115	-	190	121	-	200		
140	136,93	9	80	78	116	-	191	113	-	187	116	-	192		
160	157,17	7,6	80	68	112	-	184	109	-	180	112	-	185		
180	172,39	7,0	80	62	110	-	182	108	-	178	111	-	183		
200	197,88	6,1	80	54	106	-	176	103	-	171	107	-	176		
224	216,47	5,5	80	49	99	-	164	98	-	162	100	-	165		
250	248,47	4,8	80	43	96	-	159	94	-	156	96	-	159		
280	285,56	4,2	80	37	95	-	156	93	-	154	95	-	157		
315	314,25	3,8	80	34	89	-	148	88	-	146	90	-	148		
355	361,15	3,3	80	30	88	-	145	87	-	143	88	-	145		

Notes: (*) = Consult WEG.

(-) = Not available.

When the fan is installed on the input flange, PT is derated by 20%.

Right angle T only 3 and 4 stages.

1) Forced lubrication.

Selection tables

Right angle gearbox

W12 R/T - 1,200 rpm

W12 - n1 = 1200 rpm														92 kNm	
iN	i _{ex}	n2 [rpm]	M2 [kNm]	P1 [kW]	PT - 20 °C [kW]									ST	Dimensions
					Mounting position - P1			Mounting position - P5			Mounting position - P4 ¹⁾				
					PTG	PTV	PTC	PTG	PTV	PTC	PTG	PTV	PTC		
7,1	7,16	168	67,52	1185	380	630	616	304	505	494	337	560	547	2	(P1) 160 - 161 (P5) 176 - 177 (P4) 188 - 189
8	8,26	145	77,86	1185	358	595	582	296	490	480	327	542	530		
9	8,61	139	83,62	1220	364	604	591	295	489	478	334	554	542		
10	9,93	121	89,32	1130	341	566	554	278	462	452	316	525	513		
11,2	10,94	110	85,58	983	315	523	511	276	458	448	300	497	486		
12,5	12,62	95	91,11	907	297	492	481	261	433	424	284	471	460		
14	13,74	87	87,48	800	270	448	438	251	417	408	263	436	427		
16	15,84	76	92,00	730	255	423	414	238	394	386	249	413	404		
18	17,90	67	82	602	212	352	349	194	321	318	216	358	355	3	(P1) 162 - 163 (P1) 166 - 167 (P5) 178 - 179 (P4) 190 - 191 (P4) 194 - 195
20	20,64	58	92	586	202	335	332	186	308	305	205	341	337		
22,4	22,78	53	92	531	202	335	332	187	310	307	205	340	337		
25	26,27	46	92	460	195	323	320	179	297	294	198	329	326		
28	27,89	43	92	434	191	317	314	179	296	293	194	321	318		
31,5	32,16	37	92	376	184	306	303	171	284	281	187	311	308		
35,5	34,81	34	92	347	169	280	278	162	269	266	170	283	280		
40	40,14	30	92	301	164	272	269	156	259	257	165	274	272		
45	42,61	28	92	284	160	265	263	153	253	251	161	268	265		
50	49,13	24	92	246	155	257	255	147	244	242	157	260	257		
56	53,50	22	92	226	142	236	234	138	229	227	143	238	235		
63	61,70	19	92	196	138	229	227	133	221	219	139	231	229		
71	70,82	17	92	171	129	214	212	127	211	209	129	215	213		
80	78,03	15	92	155	125	208	206	123	204	202	126	209	207		
90	89,56	13	92	135	121	201	199	119	197	195	121	202	200		
100	99,24	12	92	124	133	-	218	128	-	210	133	-	219	4	(P1) 164 - 165 (P1) 168 - 169 (P5) 160 - 161 (P4) 192 - 193 (P4) 196 - 197
112	113,91	11	92	108	128	-	210	123	-	202	128	-	211		
125	124,94	10	92	98	127	-	208	122	-	200	127	-	209		
140	143,42	8	92	86	122	-	201	117	-	192	122	-	201		
160	153,81	8	92	80	117	-	193	115	-	188	117	-	193		
180	176,55	6,8	92	70	113	-	186	110	-	181	113	-	186		
200	193,64	6,2	92	64	112	-	184	109	-	179	112	-	184		
224	222,28	5,4	92	55	108	-	177	105	-	172	108	-	178		
250	243,16	4,9	92	51	101	-	166	99	-	163	101	-	166		
280	279,11	4,3	92	44	97	-	160	96	-	157	97	-	160		
315	320,76	3,7	92	38	96	-	158	94	-	155	96	-	158		
355	352,99	3,4	92	35	91	-	149	90	-	147	91	-	149		
400	405,67	3,0	92	30	89	-	146	88	-	144	89	-	146		

Notes: (*) = Consult WEG.

(-) = Not available.

When the fan is installed on the input flange, PT is derated by 20%.

Right angle T only 3 and 4 stages.

1) Forced lubrication.

Selection tables

Right angle gearbox

W13 R/T - 1,200 rpm

W13 - n1 = 1200 rpm														115 kNm	
iN	i _{ex}	n2 [rpm]	M2 [kNm]	P1 [kW]	PT - 20 °C [kW]									ST	Dimensions
					Mounting position - P1			Mounting position - P5			Mounting position - P4 ¹⁾				
					PTG	PTV	PTC	PTG	PTV	PTC	PTG	PTV	PTC		
6,3	6,35	189	94	1860	480	797	809	361	599	609	417	692	703	2	(P1) 160 - 161 (P5) 176 - 177 (P4) 188 - 189
7,1	7,35	163	108,8	1860	452	751	763	352	583	593	404	671	682		
8	7,64	157	111,3	1831	455	755	767	345	573	582	409	679	689		
9	8,84	136	115	1635	426	706	718	323	536	544	386	640	650		
10	9,71	124	114,9	1487	396	657	668	333	553	561	372	618	628		
11,2	11,23	107	115	1287	371	616	626	310	514	523	350	580	589		
12,5	12,19	98	115	1185	343	570	579	307	509	517	331	549	558		
14	14,10	85	115	1025	323	536	544	287	476	484	311	517	525		
16	16,09	75	115	939	274	454	461	244	405	412	281	466	473	3	(P1) 162 - 163 (P1) 166 - 167 (P5) 178 - 179 (P4) 190 - 191 (P4) 194 - 195
18	18,61	64	115	812	263	436	443	233	386	393	270	448	456		
20	20,27	59	115	746	265	440	447	236	392	398	273	452	459		
22,4	23,45	51	115	645	255	423	430	224	372	378	263	436	443		
25	24,45	49	115	618	239	397	403	218	362	367	245	406	412		
28	28,28	42	115	534	231	383	389	208	345	351	236	392	398		
31,5	30,58	39	115	494	211	351	356	199	331	336	214	356	361		
35,5	35,38	34	115	427	204	339	345	191	318	323	208	345	350		
40	38,30	31	115	395	205	340	346	192	318	323	208	346	351		
45	44,30	27	115	341	198	328	334	184	305	310	201	334	340		
50	48,09	25	115	314	183	304	309	175	290	295	186	308	313		
56	55,63	22	115	272	177	294	299	168	279	284	180	298	303		
63	62,68	19	115	241	167	277	281	162	270	274	168	279	283		
71	70,35	17	115	215	162	268	272	157	260	264	163	270	274		
80	79,27	15	115	191	156	259	263	151	251	255	157	261	265		
90	89,83	13	115	171	178	-	301	165	-	278	180	-	303	4	(P1) 164 - 165 (P1) 168 - 169 (P5) 160 - 161 (P4) 192 - 193 (P4) 196 - 197
100	101,22	12	115	152	172	-	290	158	-	266	173	-	292		
112	112,54	11	115	137	170	-	286	156	-	263	171	-	288		
125	126,81	9	115	121	164	-	276	149	-	251	165	-	278		
140	139,23	9	115	110	154	-	260	148	-	250	155	-	261		
160	156,87	7,6	115	98	149	-	251	143	-	240	149	-	252		
180	174,43	6,9	115	88	147	-	247	140	-	237	147	-	248		
200	196,54	6,1	115	78	142	-	239	135	-	228	142	-	240		
224	219,03	5,5	115	70	132	-	222	128	-	216	132	-	223		
250	246,79	4,9	115	62	127	-	215	124	-	209	128	-	215		
280	280,40	4,3	115	55	126	-	212	122	-	205	126	-	212		
315	312,12	3,8	115	49	118	-	199	116	-	195	118	-	199		
355	354,62	3,4	115	43	115	-	195	113	-	191	116	-	195		

Notes: (*) = Consult WEG.

(-) = Not available.

When the fan is installed on the input flange, PT is derated by 20%.

Right angle T only 3 and 4 stages.

1) Forced lubrication.

Selection tables

Right angle gearbox

W14 R/T - 1,200 rpm

W14 - n1 = 1200 rpm														132 kNm	
iN	i _{ex}	n2 [rpm]	M2 [kNm]	P1 [kW]	PT - 20 °C [kW]									ST	Dimensions
					Mounting position - P1			Mounting position - P5			Mounting position - P4 ¹⁾				
					PTG	PTV	PTC	PTG	PTV	PTC	PTG	PTV	PTC		
7,1	7,16	168	106,0	1860	488	811	817	363	603	607	418	694	700	2	(P1) 160 - 161 (P5) 176 - 177 (P4) 188 - 189
8	8,26	145	122,2	1860	464	770	776	357	592	597	410	681	686		
9	8,61	139	125,5	1831	464	770	776	350	581	585	414	686	692		
10	9,93	121	132	1670	438	726	732	331	550	554	394	655	660		
11,2	10,94	110	129,5	1486	404	671	676	339	562	566	378	628	633		
12,5	12,62	95	132	1315	382	633	638	319	529	533	359	595	600		
14	13,74	87	132	1207	351	583	587	314	521	525	338	560	565		
16	15,84	76	132	1047	332	551	555	295	490	493	320	530	534		
18	18,13	66	132	957	268	445	460	232	385	398	277	460	477	3	(P1) 162 - 163 (P1) 166 - 167 (P5) 178 - 179 (P4) 190 - 191 (P4) 194 - 195
20	20,90	57	132	830	258	428	443	221	367	380	268	444	460		
22,4	22,84	53	132	760	259	430	445	223	370	383	269	446	462		
25	26,34	46	132	659	249	414	428	211	351	363	260	431	446		
28	27,55	44	132	630	228	379	393	208	346	358	234	387	401		
31,5	31,77	38	132	546	221	367	380	200	331	343	227	376	389		
35,5	34,46	35	132	503	202	335	347	190	316	327	205	340	351		
40	39,74	30	132	437	196	325	337	184	305	316	199	330	342		
45	43,15	28	132	402	196	325	336	183	304	315	199	330	342		
50	49,76	24	132	349	190	315	326	176	293	303	193	320	332		
56	54,19	22	132	320	175	291	301	167	278	287	177	294	305		
63	62,48	19	132	278	170	282	292	162	268	278	172	286	296		
71	70,40	17	132	246	159	265	274	155	258	267	160	266	276		
80	79,02	15	132	220	155	257	266	150	250	258	156	259	268		
90	89,04	13	132	195	150	248	257	145	241	249	151	250	259		
100	100,91	12	132	175	171	-	294	158	-	272	172	-	296	4	(P1) 164 - 165 (P1) 168 - 169 (P5) 160 - 161 (P4) 192 - 193 (P4) 196 - 197
112	113,70	11	132	155	165	-	283	152	-	260	166	-	285		
125	126,42	9	132	140	163	-	280	150	-	257	164	-	281		
140	142,44	8	132	124	157	-	269	143	-	246	158	-	271		
160	156,39	8	132	113	148	-	254	142	-	244	148	-	255		
180	176,21	6,8	132	100	143	-	245	137	-	235	143	-	246		
200	195,93	6,1	132	90	141	-	242	135	-	231	141	-	242		
224	220,77	5,4	132	80	136	-	233	130	-	223	136	-	234		
250	246,03	4,9	132	72	126	-	217	123	-	212	127	-	218		
280	277,22	4,3	132	64	122	-	210	119	-	204	122	-	210		
315	314,97	3,8	132	56	120	-	207	117	-	201	121	-	207		
355	350,60	3,4	132	50	113	-	194	111	-	191	113	-	194		
400	398,34	3,0	132	44	111	-	190	109	-	187	111	-	191		

Notes: (*) = Consult WEG.
 (-) = Not available.
 When the fan is installed on the input flange, PT is derated by 20%.
 Right angle T only 3 and 4 stages.
 1) Forced lubrication.

Selection tables

Right angle gearbox

W15 R/T - 1,200 rpm

W15 - n1 = 1200 rpm														158 kNm	
iN	i _{ex}	n2 [rpm]	M2 [kNm]	P1 [kW]	PT - 20 °C [kW]									ST	Dimensions
					Mounting position - P1			Mounting position - P5			Mounting position - P4 ¹⁾				
					PTG	PTV	PTC	PTG	PTV	PTC	PTG	PTV	PTC		
6,3	6,35	189	123,8	2450	547	908	876	384	638	616	458	761	734	2	(P1) 160 - 161 (P5) 176 - 177 (P4) 188 - 189
7,1	7,41	162	144,5	2450	514	853	823	376	625	603	447	742	716		
8	7,64	157	146,2	2406	512	849	819	387	642	619	454	754	728		
9	8,91	135	158	2228	478	793	765	366	607	586	431	716	691		
10	9,70	124	156	2021	460	763	736	366	607	586	424	704	679		
11,2	11,32	106	158	1753	429	711	686	339	563	543	397	659	636		
12,5	12,18	99	158	1629	403	668	645	347	575	555	384	636	614		
14	14,22	84	158	1397	377	625	603	322	534	515	359	596	575		
16	15,48	78	125	1061	162	268	264	266	441	433	322	535	525	3	(P1) 162 - 163 (P1) 166 - 167 (P5) 178 - 179 (P4) 190 - 191 (P4) 194 - 195
18	18,07	66	145	1055	309	513	504	254	422	414	305	506	497		
20	19,51	62	155	1044	293	486	477	260	431	423	307	509	499		
22,4	22,77	53	158	912	295	490	481	246	408	401	293	486	477		
25	24,41	49	158	851	282	467	459	241	400	392	265	440	432		
28	28,49	42	158	729	259	430	422	230	382	375	256	424	417		
31,5	30,56	39	158	680	249	414	406	219	363	357	232	385	378		
35,5	35,67	34	158	582	229	380	373	211	349	343	225	373	366		
40	38,23	31	158	543	221	367	360	207	344	338	221	366	360		
45	44,63	27	158	465	217	361	354	199	330	324	214	355	348		
50	48,01	25	158	433	210	348	342	189	313	307	197	328	321		
56	56,04	21	158	371	195	324	318	182	302	297	191	318	312		
63	63,19	19	158	329	189	313	307	175	290	285	179	298	292		
71	70,87	17	158	293	178	295	290	169	281	276	174	289	284		
80	79,92	15	158	260	172	286	281	166	275	270	171	284	279		
90	90,49	13	158	233	189	-	308	179	-	291	190	-	310	4	(P1) 164 - 165 (P1) 168 - 169 (P5) 160 - 161 (P4) 192 - 193 (P4) 196 - 197
100	102,05	12	158	207	185	-	302	174	-	283	186	-	304		
112	113,38	11	158	186	180	-	294	170	-	276	182	-	296		
125	127,85	9	158	165	177	-	288	165	-	269	178	-	289		
140	140,25	9	158	151	164	-	267	159	-	260	164	-	268		
160	158,16	7,6	158	134	161	-	262	156	-	254	161	-	263		
180	175,72	6,8	158	120	156	-	255	152	-	247	157	-	256		
200	198,15	6,1	158	107	153	-	250	148	-	241	154	-	250		
224	220,64	5,4	158	96	141	-	230	138	-	225	141	-	230		
250	248,82	4,8	158	85	138	-	225	135	-	221	138	-	226		
280	282,70	4,2	158	75	137	-	222	134	-	218	137	-	223		
315	314,68	3,8	158	67	128	-	209	127	-	206	128	-	209		
355	357,53	3,4	158	59	126	-	205	124	-	203	126	-	206		

Notes: (*) = Consult WEG.

(-) = Not available.

When the fan is installed on the input flange, PT is derated by 20%.

Right angle T only 3 and 4 stages.

1) Forced lubrication.

Selection tables

Right angle gearbox

W16 R/T - 1,200 rpm

W16 - n1 = 1200 rpm													178 kNm		
iN	i _{ex}	n2 [rpm]	M2 [kNm]	P1 [kW]	PT - 20 °C [kW]									ST	Dimensions
					Mounting position - P1			Mounting position - P5			Mounting position - P4 ¹⁾				
					PTG	PTV	PTC	PTG	PTV	PTC	PTG	PTV	PTC		
7,1	7,11	169	139	2450	553	917	879	384	638	611	456	757	726	2	(P1) 160 - 161 (P5) 176 - 177 (P4) 188 - 189
8	8,27	145	161	2450	519	861	825	378	627	601	447	742	711		
9	8,55	140	164	2406	518	859	824	389	646	619	456	757	726		
10	9,95	121	178	2249	484	803	769	370	613	588	435	721	691		
11,2	10,86	111	175	2021	466	773	741	370	614	588	428	711	681		
12,5	12,64	95	178	1770	434	721	691	344	570	546	401	666	638		
14	13,64	88	178	1641	409	678	650	351	583	559	388	645	618		
16	15,87	76	178	1410	382	634	607	326	541	519	364	604	578		
18	17,33	69	140	1062	315	522	509	270	448	437	326	542	528	3	(P1) 162 - 163 (P1) 166 - 167 (P5) 178 - 179 (P4) 190 - 191 (P4) 194 - 195
20	20,17	60	160	1043	298	494	482	258	428	418	309	512	499		
22,4	21,84	55	170	1023	300	498	486	264	438	427	310	514	502		
25	25,41	47	178	921	287	475	464	250	414	404	297	492	480		
28	27,32	44	178	856	264	438	427	244	405	395	269	446	435		
31,5	31,79	38	178	736	254	421	410	233	387	377	259	430	419		
35,5	34,21	35	178	684	233	386	377	222	368	359	235	391	381		
40	39,80	30	178	588	225	373	364	213	354	345	228	378	369		
45	42,80	28	178	547	221	367	358	210	349	340	224	371	362		
50	49,80	24	178	470	214	354	346	202	335	327	216	359	350		
56	53,74	22	178	435	198	329	321	192	318	310	200	332	324		
63	62,53	19	178	374	192	319	311	185	306	299	194	322	314		
71	70,52	17	178	332	181	301	293	177	295	287	182	302	295		
80	79,09	15	178	296	175	291	284	171	285	278	176	293	285		
90	89,19	13	178	262	172	286	279	168	279	272	173	288	280		
100	100,99	12	178	236	192	-	310	181	-	293	193	-	312	4	(P1) 164 - 165 (P1) 168 - 169 (P5) 160 - 161 (P4) 192 - 193 (P4) 196 - 197
112	113,88	11	178	209	188	-	304	176	-	285	189	-	306		
125	126,52	9	178	188	183	-	296	172	-	278	184	-	297		
140	142,68	8	178	167	179	-	289	167	-	271	180	-	291		
160	156,52	8	178	152	166	-	269	162	-	261	167	-	270		
180	176,50	6,8	178	135	163	-	263	158	-	255	163	-	264		
200	196,09	6,1	178	121	158	-	256	154	-	249	159	-	257		
224	221,13	5,4	178	108	155	-	251	150	-	243	156	-	252		
250	246,23	4,9	178	97	143	-	231	140	-	227	143	-	232		
280	277,67	4,3	178	86	140	-	227	137	-	222	140	-	227		
315	315,48	3,8	178	75	138	-	224	135	-	219	139	-	224		
355	351,17	3,4	178	68	130	-	210	128	-	208	130	-	211		
400	398,99	3,0	178	60	128	-	207	126	-	204	128	-	207		

Notes: (*) = Consult WEG.
 (-) = Not available.
 When the fan is installed on the input flange, PT is derated by 20%.
 Right angle T only 3 and 4 stages.
 1) Forced lubrication.

Selection tables

Right angle gearbox

W01 R/T - 1,000 rpm

W01 - n1 = 1000 rpm														7,5 kNm	
iN	i _{ex}	n2 [rpm]	M2 [kNm]	P1 [kW]	PT - 20 °C [kW]									ST	Dimensões
					Posição de montagem - P1			Posição de montagem - P5/P4			Posição de montagem - P4 ¹⁾				
					PTG	PTV	PTC	PTG	PTV	PTC	PTG	PTV	PTC		
6,3	6,26	160	7,2	121	76	113	-	75	111	-	76	112	-	2	(P1) 160 - 161 (P5) 176 - 177 (P4) 188 - 189
7,1	7,25	138	7,5	108	73	108	-	71	106	-	72	107	-		
8	7,66	131	7,5	102	74	110	-	73	109	-	74	110	-		
9	8,86	113	7,5	89	71	105	-	70	103	-	70	104	-		
10	9,71	103	7,1	77	64	95	-	64	94	-	64	95	-		
11,2	11,23	89	7,5	70	61	91	-	61	90	-	61	90	-		
12,5	12,19	82	7,2	62	58	86	-	58	85	-	58	86	-		
14	14,10	71	7,5	56	55	82	-	55	81	-	55	82	-		
16	16,23	62	19,2	130	88	130	188	86	128	185	88	130	189	3	(P1) 162 - 163 (P1) 166 - 167 (P5) 178 - 179 (P4) 190 - 191 (P4) 194 - 195
18	18,77	53	22	128	83	124	179	82	121	176	84	124	179		
20	20,48	49	22	118	85	126	182	83	124	179	85	126	182		
22,4	23,69	42	22	102	82	122	176	81	119	173	82	122	176		
25	25,10	40	22	96	85	125	181	83	123	178	85	126	182		
28	29,04	34	22	83	82	121	175	80	119	172	82	121	175		
31,5	30,89	32	22	78	67	99	143	66	98	142	67	99	143		
35,5	35,73	28	22	67	65	96	139	64	95	138	65	96	139		
40	38,35	26	22	63	65	96	139	64	96	138	65	96	139		
45	44,36	23	22	54	63	93	135	63	93	134	63	93	135		
50	48,16	21	22	50	58	86	125	58	86	124	58	86	125		
56	55,70	18	22	43	57	84	122	56	84	121	57	84	122		
63	63,46	16	22	38	58	86	125	58	86	124	58	86	125		
71	70,45	14	22	34	53	78	113	53	78	113	53	78	113		
80	80,26	12	22	30	51	76	110	51	76	109	51	76	110		
90	91,07	11	22	27	56	-	120	56	-	119	56	-	120		
100	103,75	10	22	24	54	-	116	54	-	115	54	-	116		
112	113,13	9	22	22	54	-	116	53	-	115	54	-	116		
125	128,88	8	22	19	52	-	112	52	-	111	52	-	112		
140	141,15	7	22	17	48	-	102	48	-	102	48	-	102		
160	160,80	6,2	22	15	46	-	99	46	-	99	46	-	99		
180	175,33	5,7	22	14	46	-	98	46	-	98	46	-	98		
200	199,75	5,0	22	12	44	-	95	44	-	95	44	-	95		
224	220,16	4,5	22	11	43	-	92	43	-	92	43	-	92		
250	250,82	4,0	22	10	42	-	89	42	-	89	42	-	89		
280	283,90	3,5	22	9	39	-	84	39	-	84	39	-	84		
315	317,21	3,2	22	8	37	-	80	37	-	79	37	-	80		
355	359,05	2,8	22	7	36	-	77	36	-	77	36	-	77		
														4	(P1) 164 - 165 (P1) 168 - 169 (P5) 160 - 161 (P4) 192 - 193 (P4) 196 - 197

Notes: (*) = Consult WEG.
 (-) = Not available.
 When the fan is installed on the input flange, PT is derated by 20%.
 Right angle T only 3 and 4 stages.
 1) Forced lubrication.

Selection tables

Right angle gearbox

W02 R/T - 1,000 rpm

W02 - n1 = 1000 rpm														9,5 kNm	
iN	i _{ex}	n2 [rpm]	M2 [kNm]	P1 [kW]	PT - 20 °C [kW]									ST	Dimensões
					Posição de montagem - P1			Posição de montagem - P5/P4			Posição de montagem - P4 ¹⁾				
					PTG	PTV	PTC	PTG	PTV	PTC	PTG	PTV	PTC		
8	7,85	127	9,1	121	81	120	-	79	118	-	80	119	-	2	(P1) 160 - 161 (P5) 176 - 177 (P4) 188 - 189
9	9,03	111	9,5	110	77	114	-	75	112	-	76	113	-		
10	9,60	104	9,4	102	79	117	-	78	115	-	78	116	-		
11,2	11,04	91	9,5	90	75	111	-	74	109	-	74	110	-		
12,5	12,17	82	8,9	77	68	101	-	67	100	-	68	100	-		
14,2	14,00	71	9,5	71	65	96	-	64	95	-	64	95	-		
16	15,28	65	9,1	62	61	91	-	61	90	-	61	90	-		
18	17,58	57	9,5	57	58	86	-	58	86	-	58	86	-		
20	19,63	51	9,5	51	41	61	-	41	60	-	41	61	-		
22,4	22,58	44	9,5	44	39	59	-	39	58	-	39	58	-		
25	24,99	40	9,5	40	40	60	-	40	59	-	40	60	-		
28	28,74	35	9,5	35	39	57	-	38	57	-	39	57	-		
31,5	31,04	32	9,5	32	39	57	-	38	57	-	39	57	-		
35,5	35,70	28	9,5	28	37	55	-	37	55	-	37	55	-		
40	38,73	26	9,5	26	33	50	-	33	49	-	33	50	-		
45	44,55	22	9,5	22	32	48	-	32	48	-	32	48	-		
50	48,10	21	9,5	21	32	48	-	32	48	-	32	48	-		
56	55,33	18	9,5	18	31	46	-	31	46	-	31	46	-		
63	60,40	17	9,5	16	29	42	-	29	42	-	29	42	-		
71	69,48	14	9,5	14	28	41	-	28	41	-	28	41	-		
80	78,65	13	9,5	13	27	40	-	27	40	-	27	40	-		
90	87,87	11	9,5	11	26	38	-	26	38	-	26	38	-		
100	99,46	10	9,5	10	25	37	-	25	37	-	25	37	-		

Notes: (*) = Consult WEG.

(-) = Not available.

When the fan is installed on the input flange, PT is derated by 20%.

Right angle T only 3 and 4 stages.

1) Forced lubrication.

Selection tables

Right angle gearbox

W03 R/T - 1,000 rpm

W03 - n1 = 1000 rpm														13 kNm	
iN	i _{ex}	n2 [rpm]	M2 [kNm]	P1 [kW]	PT - 20 °C [kW]									ST	Dimensões
					Posição de montagem - P1			Posição de montagem - P5/P4			Posição de montagem - P4 ¹⁾				
					PTG	PTV	PTC	PTG	PTV	PTC	PTG	PTV	PTC		
6,3	6,26	160	12,1	202	107	159	285	105	155	277	106	157	282	2	(P1) 160 - 161 (P5) 176 - 177 (P4) 188 - 189
7,1	7,25	138	13	188	102	151	270	99	147	263	101	149	268		
8	7,64	131	12,8	175	105	156	279	102	152	272	104	154	276		
9	8,84	113	13	154	99	147	264	97	144	257	99	146	262		
10	9,71	103	13	140	94	139	249	92	137	245	93	138	248		
11,2	11,23	89	13	121	89	132	236	88	130	232	89	131	235		
12,5	12,19	82	11,9	102	82	122	218	81	121	216	82	122	218		
14,2	14,10	71	13	97	78	116	208	78	115	206	78	116	207		
16	15,66	64	13	87	53	78	145	52	77	144	53	78	145		
18	18,12	55	13	75	51	75	140	50	75	138	51	75	139		
20	19,93	50	13	68	51	76	141	51	75	139	51	75	140		
22,4	23,06	43	13	59	49	73	135	49	72	134	49	73	135		
25	24,69	41	13	55	49	73	135	48	72	133	49	72	134		
28	28,56	35	13	48	47	70	130	47	69	128	47	70	129		
31,5	30,89	32	13	44	44	65	121	44	65	120	44	65	120		
35,5	35,73	28	13	38	42	63	116	42	62	116	42	63	116		
40	38,27	26	13	36	42	62	116	42	62	115	42	62	116		
45	44,26	23	13	31	41	60	112	40	60	111	41	60	112		
50	48,05	21	13	28	37	55	102	37	55	102	37	55	102		
56	55,58	18	13	24	36	53	99	36	53	99	36	53	99		
63	63,46	16	13	21	36	53	99	36	53	99	36	53	99		
71	70,29	14	13	19	34	50	93	34	50	93	34	50	93		
80	80,26	12	13	17	34	50	92	34	50	92	34	50	92		
90	90,44	11	13	15	32	-	88	32	-	88	32	-	88		
100	103,26	10	13	13	32	-	88	32	-	88	32	-	88		
112	112,65	9	13	12	30	-	84	30	-	84	30	-	84		
125	128,62	8	13	11	30	-	83	30	-	83	30	-	83		
142	140,16	7	13	10	28	-	78	28	-	78	28	-	78		
160	160,04	6	13	9	28	-	78	28	-	78	28	-	78		
180	174,59	6	13	8	27	-	74	27	-	74	27	-	74		
200	199,35	5	13	7	27	-	74	27	-	74	27	-	74		
224	219,23	5	13	6	23	-	64	23	-	64	23	-	64		
250	250,32	4	13	5	23	-	64	23	-	64	23	-	64		
280	284,06	4	13	5	23	-	64	23	-	64	23	-	64		
315	316,58	3	13	4	23	-	64	23	-	64	23	-	64		
355	359,25	3	13	4	23	-	63	23	-	63	23	-	63		
														4	(P1) 164 - 165 (P1) 168 - 169 (P5) 160 - 161 (P4) 192 - 193 (P4) 196 - 197

Notes: (*) = Consult WEG.

(-) = Not available.

When the fan is installed on the input flange, PT is derated by 20%.

Right angle T only 3 and 4 stages.

1) Forced lubrication.

Selection tables

Right angle gearbox

W04 R/T - 1,000 rpm

W04 - n1 = 1000 rpm													16,5 kNm		
iN	i _{ex}	n2 [rpm]	M2 [kNm]	P1 [kW]	PT - 20 °C [kW]									ST	Dimensões
					Posição de montagem - P1			Posição de montagem - P5/P4			Posição de montagem - P4 ¹⁾				
					PTG	PTV	PTC	PTG	PTV	PTC	PTG	PTV	PTC		
8	7,85	127	15,1	202	121	179	302	117	174	292	119	176	297	2	(P1) 160 - 161 (P5) 176 - 177 (P4) 188 - 189
9	9,03	111	16,5	191	114	169	285	111	164	277	113	167	281		
10	9,58	104	16,0	175	118	175	295	115	170	287	117	173	292		
11,2	11,02	91	16,5	157	111	165	278	108	161	271	110	164	275		
12,5	12,17	82	16,3	140	105	156	263	104	154	259	105	155	261		
14,2	14,00	71	16,5	123	100	148	249	98	145	244	99	147	247		
16	15,28	65	14,9	102	92	137	230	91	135	228	92	136	229		
18	17,58	57	16,5	98	87	130	218	87	128	216	87	129	218		
20	19,63	51	16,5	88	57	85	151	57	84	150	57	85	151	3	(P1) 162 - 163 (P1) 166 - 167 (P5) 178 - 179 (P4) 190 - 191 (P4) 194 - 195
22,4	22,58	44	16,5	77	55	82	145	54	81	144	55	81	145		
25	24,99	40	16,5	69	55	82	146	55	81	145	55	82	146		
28	28,74	35	16,5	60	53	79	141	53	78	139	53	79	140		
31,5	30,95	32	16,5	56	53	79	140	53	78	139	53	78	140		
35,5	35,60	28	16,5	49	51	76	135	50	75	133	51	75	134		
40	38,73	26	16,5	45	47	70	125	47	70	124	47	70	125		
45	44,55	22	16,5	39	46	68	120	45	67	120	46	67	120		
50	47,97	21	16,5	36	45	67	120	45	67	119	45	67	120		
56	55,18	18	16,5	31	44	65	116	44	65	115	44	65	115		
63	60,23	17	16,5	29	40	59	105	40	59	105	40	59	105		
71	69,28	14	16,5	25	39	57	102	39	57	102	39	57	102		
80	79,11	13	16,5	22	39	58	102	39	57	102	39	57	102		
90	87,62	11	16,5	20	36	54	96	36	54	95	36	54	96		
100	100,05	10	16,5	17	36	54	95	36	53	95	36	53	95		
112	112,74	9	16,5	15	34	-	91	35	-	92	35	-	92	4	(P1) 164 - 165 (P1) 168 - 169 (P5) 160 - 161 (P4) 192 - 193 (P4) 196 - 197
125	128,72	8	16,5	13	34	-	90	35	-	91	35	-	92		
142	140,43	7	16,5	12	33	-	86	33	-	87	33	-	87		
160	160,34	6	16,5	11	33	-	86	33	-	87	33	-	87		
180	174,73	6	16,5	10	31	-	81	31	-	81	31	-	81		
200	199,50	5	16,5	9	30	-	80	31	-	81	31	-	81		
224	217,64	5	16,5	8	29	-	76	29	-	77	29	-	77		
250	248,50	4	16,5	7	29	-	76	29	-	76	29	-	77		
280	273,29	4	16,5	6	25	-	66	25	-	67	25	-	67		
315	312,04	3	16,5	6	25	-	66	25	-	67	25	-	67		
355	354,10	3	16,5	5	25	-	66	25	-	66	25	-	66		
400	394,63	3	16,5	4	25	-	66	25	-	66	25	-	66		
450	447,84	2	16,5	4	25	-	65	25	-	65	25	-	65		

Notes: (*) = Consult WEG.

(-) = Not available.

When the fan is installed on the input flange, PT is derated by 20%.

Right angle T only 3 and 4 stages.

1) Forced lubrication.

Selection tables

Right angle gearbox

W05 R/T - 1,000 rpm

W05 - n1 = 1000 rpm														22 kNm	
iN	i _{ex}	n2 [rpm]	M2 [kNm]	P1 [kW]	PT - 20 °C [kW]									ST	Dimensões
					Posição de montagem - P1			Posição de montagem - P5/P4			Posição de montagem - P4 ¹⁾				
					PTG	PTV	PTC	PTG	PTV	PTC	PTG	PTV	PTC		
6,3	6,26	160	22	368	172	255	369	163	242	350	168	249	361	2	(P1) 160 - 161 (P5) 176 - 177 (P4) 188 - 189
7,1	7,25	138	22	318	160	238	344	152	225	325	157	233	337		
8	7,64	131	22	301	159	236	342	151	225	326	156	232	336		
9	8,84	113	22	261	149	221	320	142	211	304	147	218	315		
10	9,71	103	21,7	234	137	203	294	134	198	287	136	201	291		
11,2	11,23	89	22	205	128	190	275	125	186	268	127	189	273		
12,5	12,19	82	19,9	172	118	174	252	116	171	248	117	173	251		
14	14,10	71	22	163	111	164	237	109	162	234	110	163	236		
16	16,23	62	19,2	130	88	130	188	86	128	185	88	130	189		
18	18,77	53	22	128	83	124	179	82	121	176	84	124	179		
20	20,48	49	22	118	85	126	182	83	124	179	85	126	182		
22,4	23,69	42	22	102	82	122	176	81	119	173	82	122	176		
25	25,10	40	22	96	85	125	181	83	123	178	85	126	182		
28	29,04	34	22	83	82	121	175	80	119	172	82	121	175		
31,5	30,89	32	22	78	67	99	143	66	98	142	67	99	143		
35,5	35,73	28	22	67	65	96	139	64	95	138	65	96	139		
40	38,35	26	22	63	65	96	139	64	96	138	65	96	139		
45	44,36	23	22	54	63	93	135	63	93	134	63	93	135		
50	48,16	21	22	50	58	86	125	58	86	124	58	86	125		
56	55,70	18	22	43	57	84	122	56	84	121	57	84	122		
63	63,46	16	22	38	58	86	125	58	86	124	58	86	125		
71	70,45	14	22	34	53	78	113	53	78	113	53	78	113		
80	80,26	12	22	30	51	76	110	51	76	109	51	76	110		
90	91,07	11	22	27	56	-	120	56	-	119	56	-	120		
100	103,75	10	22	24	54	-	116	54	-	115	54	-	116		
112	113,13	9	22	22	54	-	116	53	-	115	54	-	116		
125	128,88	8	22	19	52	-	112	52	-	111	52	-	112		
140	141,15	7	22	17	48	-	102	48	-	102	48	-	102		
160	160,80	6,2	22	15	46	-	99	46	-	99	46	-	99		
180	175,33	5,7	22	14	46	-	98	46	-	98	46	-	98		
200	199,75	5,0	22	12	44	-	95	44	-	95	44	-	95		
224	220,16	4,5	22	11	43	-	92	43	-	92	43	-	92		
250	250,82	4,0	22	10	42	-	89	42	-	89	42	-	89		
280	283,90	3,5	22	9	39	-	84	39	-	84	39	-	84		
315	317,21	3,2	22	8	37	-	80	37	-	79	37	-	80		
355	359,05	2,8	22	7	36	-	77	36	-	77	36	-	77		
														4	(P1) 164 - 165 (P1) 168 - 169 (P5) 160 - 161 (P4) 192 - 193 (P4) 196 - 197

Notes: (*) = Consult WEG.

(-) = Not available.

When the fan is installed on the input flange, PT is derated by 20%.

Right angle T only 3 and 4 stages.

1) Forced lubrication.

Selection tables

Right angle gearbox

W06 R/T - 1,000 rpm

W06 - n1 = 1000 rpm														28 kNm	
iN	i _{ex}	n2 [rpm]	M2 [kNm]	P1 [kW]	PT - 20 °C [kW]									ST	Dimensões
					Posição de montagem - P1			Posição de montagem - P5/P4			Posição de montagem - P4 ¹⁾				
					PTG	PTV	PTC	PTG	PTV	PTC	PTG	PTV	PTC		
8	7,85	127	28	373	195	288	393	184	272	371	189	281	383	2	(P1) 160 - 161 (P5) 176 - 177 (P4) 188 - 189
9	9,03	111	28	325	181	268	365	171	253	345	176	261	357		
10	9,58	104	28	306	181	268	366	172	255	348	177	263	359		
11,2	11,02	91	28	266	168	249	340	160	237	323	165	245	334		
12,5	12,17	82	27,2	234	155	230	313	151	223	305	153	227	310		
14	14,00	71	28	209	145	215	293	141	209	285	143	212	290		
16	15,28	65	25,0	172	133	196	268	130	193	264	132	195	266		
18	17,58	57	28	167	125	185	252	123	182	248	124	184	251		
20	20,34	49	24	129	94	140	195	92	137	191	94	140	196	3	(P1) 162 - 163 (P1) 166 - 167 (P5) 178 - 179 (P4) 190 - 191 (P4) 194 - 195
22,4	23,40	43	27	126	89	133	185	88	130	182	90	133	186		
25	25,67	39	28	119	91	135	188	89	132	185	91	135	188		
28	29,53	34	28	104	88	130	181	86	128	178	88	130	182		
31,5	31,47	32	28	97	91	135	188	89	132	185	91	135	188		
35,5	36,19	28	28	85	87	129	181	86	127	177	87	129	181		
40	38,73	26	28	79	71	106	148	71	105	147	71	106	148		
45	44,55	22	28	69	69	103	143	69	102	142	69	103	143		
50	48,08	21	28	64	69	103	144	69	102	143	69	103	144		
56	55,30	18	28	55	67	100	139	67	99	139	67	100	139		
63	60,37	17	28	51	62	92	129	62	92	129	62	93	129		
71	69,44	14	28	44	61	90	125	60	89	125	61	90	126		
80	79,11	13	28	39	58	86	120	58	86	120	58	86	120		
90	87,82	11	28	35	56	84	117	56	83	116	56	84	117		
100	100,05	10	28	31	55	81	113	54	81	113	55	81	113		
112	113,53	9	28	27	60	-	124	59	-	123	60	-	124	4	(P1) 164 - 165 (P1) 168 - 169 (P5) 160 - 161 (P4) 192 - 193 (P4) 196 - 197
125	129,34	8	28	24	58	-	120	57	-	119	58	-	120		
140	141,02	7	28	22	58	-	120	57	-	118	58	-	120		
160	160,66	6	28	19	56	-	116	55	-	114	56	-	116		
180	175,95	6	28	18	51	-	106	51	-	105	51	-	106		
200	200,45	5,0	28	16	49	-	102	49	-	102	49	-	102		
224	218,57	4,6	28	14	49	-	102	49	-	101	49	-	102		
250	249,00	4,0	28	13	48	-	98	47	-	98	48	-	98		
280	274,45	3,6	28	11	44	-	92	44	-	91	44	-	92		
315	312,66	3,2	28	10	43	-	89	43	-	89	43	-	89		
355	353,90	2,8	28	9	42	-	87	42	-	87	42	-	87		
400	395,43	2,5	28	8	40	-	82	40	-	82	40	-	82		
450	447,58	2,2	28	7	39	-	80	39	-	80	39	-	80		

Notes: (*) = Consult WEG.

(-) = Not available.

When the fan is installed on the input flange, PT is derated by 20%.

Right angle T only 3 and 4 stages.

1) Forced lubrication.

Selection tables

Right angle gearbox

W07 R/T - 1,000 rpm

W07 - n1 = 1000 rpm														36 kNm	
iN	i _{ex}	n2 [rpm]	M2 [kNm]	P1 [kW]	PT - 20 °C [kW]									ST	Dimensões
					Posição de montagem - P1			Posição de montagem - P5/P4			Posição de montagem - P4 ¹⁾				
					PTG	PTV	PTC	PTG	PTV	PTC	PTG	PTV	PTC		
6,3	6,35	157	33,5	552	279	414	488	255	378	446	268	398	470	2	(P1) 160 - 161 (P5) 176 - 177 (P4) 188 - 189
7,1	7,35	136	36	513	259	384	454	238	353	417	251	371	439		
8	7,64	131	36	493	261	386	456	242	359	424	253	376	444		
9	8,84	113	36	426	243	360	425	225	334	394	236	351	414		
10	9,71	103	36	388	227	337	398	217	322	380	224	332	392		
11,2	11,23	89	36	336	213	315	372	203	301	355	209	310	367		
12,5	12,19	82	36	309	198	294	347	192	285	336	196	291	343		
14	14,10	71	36	267	186	276	325	180	267	315	184	273	322		
16	15,89	63	31	214	140	208	250	135	201	241	141	209	251	3	(P1) 162 - 163 (P1) 166 - 167 (P5) 178 - 179 (P4) 190 - 191 (P4) 194 - 195
18	18,38	54	35	209	133	198	237	129	191	229	134	199	238		
20	19,89	50	36	198	133	198	237	129	192	230	134	199	238		
22,4	23,01	43	36	171	127	189	226	124	183	219	128	190	227		
25	25,05	40	36	157	119	176	211	117	174	208	119	177	212		
28	28,97	35	36	136	115	171	205	113	168	201	116	171	205		
31,5	30,39	33	36	130	105	155	186	104	154	184	105	156	187		
35,5	35,16	28	36	112	102	151	181	101	149	179	102	151	181		
40	38,27	26	36	103	99	146	176	98	145	174	99	147	176		
45	44,26	23	36	89	96	142	171	95	141	169	96	143	171		
50	48,05	21	36	82	87	129	155	86	128	154	87	129	155		
56	55,58	18	36	71	85	126	151	84	125	149	85	126	151		
63	63,88	16	36	62	81	119	143	80	119	143	81	119	143		
71	70,29	14	36	56	78	116	139	78	116	139	78	116	139		
80	80,78	12	36	49	78	115	138	77	115	138	78	115	138		
90	90,87	11	36	44	83	-	148	82	-	146	83	-	148		
100	104,43	10	36	38	83	-	147	81	-	145	83	-	147		
112	112,56	9	36	36	80	-	143	79	-	140	80	-	143		
125	129,36	8	36	31	80	-	141	78	-	139	80	-	142		
140	140,84	7	36	28	72	-	129	72	-	128	73	-	129		
160	161,86	6,2	36	25	72	-	128	71	-	127	72	-	128		
180	174,45	5,7	36	23	70	-	124	69	-	123	70	-	124		
200	200,48	5,0	36	20	69	-	123	69	-	122	69	-	123		
224	219,05	4,6	36	18	63	-	111	62	-	111	63	-	111		
250	251,74	4,0	36	16	62	-	110	62	-	110	62	-	110		
280	287,44	3,5	36	14	62	-	110	61	-	109	62	-	110		
315	318,38	3,1	36	13	58	-	103	58	-	103	58	-	103		
355	363,52	2,8	36	11	57	-	102	57	-	101	57	-	102		
														4	(P1) 164 - 165 (P1) 168 - 169 (P5) 160 - 161 (P4) 192 - 193 (P4) 196 - 197

Notes: (*) = Consult WEG.

(-) = Not available.

When the fan is installed on the input flange, PT is derated by 20%.

Right angle T only 3 and 4 stages.

1) Forced lubrication.

Selection tables

Right angle gearbox

W08 R/T - 1,000 rpm

W08 - n1 = 1000 rpm														46 kNm	
iN	i _{ex}	n2 [rpm]	M2 [kNm]	P1 [kW]	PT - 20 °C [kW]									ST	Dimensões
					Posição de montagem - P1			Posição de montagem - P5/P4			Posição de montagem - P4 ¹⁾				
					PTG	PTV	PTC	PTG	PTV	PTC	PTG	PTV	PTC		
8	7,97	126	41,98	552	294	435	504	266	395	457	280	415	480	2	(P1) 160 - 161 (P5) 176 - 177 (P4) 188 - 189
9	9,16	109	46	526	272	403	466	249	369	427	262	388	449		
10	9,58	104	45,4	496	274	407	471	254	377	436	266	394	456		
11,2	11,02	91	46	437	255	378	437	236	350	405	248	367	425		
12,5	12,17	82	46	396	239	355	411	228	339	392	235	348	403		
14	14,00	71	46	344	224	331	383	213	316	365	220	326	377		
16	15,28	65	46	315	209	309	358	202	300	347	206	306	354		
18	17,58	57	46	274	195	290	335	189	281	325	193	287	332		
20	19,92	50	38	209	144	214	252	140	207	244	145	215	253	3	(P1) 162 - 163 (P1) 166 - 167 (P5) 178 - 179 (P4) 190 - 191 (P4) 194 - 195
22,4	22,91	44	43	206	138	204	240	133	198	233	138	205	241		
25	24,94	40	46	202	138	204	240	134	199	234	138	205	241		
28	28,68	35	46	176	133	197	232	129	191	225	133	198	233		
31,5	31,40	32	46	160	124	184	217	122	181	213	124	184	217		
35,5	36,11	28	46	140	120	178	209	118	175	206	120	178	210		
40	38,10	26	46	132	109	162	191	108	160	189	109	162	191		
45	43,83	23	46	115	106	157	185	105	155	183	106	157	185		
50	47,97	21	46	105	103	153	180	102	151	178	103	153	180		
56	55,18	18	46	91	100	148	174	99	146	172	100	148	175		
63	60,23	17	46	84	91	134	158	90	134	157	91	135	158		
71	69,28	14	46	73	88	131	154	88	130	153	88	131	154		
80	79,63	13	46	63	84	125	147	84	124	146	84	125	147		
90	87,62	11	46	58	82	121	143	81	121	142	82	121	143		
100	100,70	10	46	50	81	120	141	81	120	141	81	120	141		
112	113,28	9	46	45	87	-	151	86	-	149	87	-	152		
125	130,18	8	46	39	86	-	150	85	-	148	86	-	150		
140	140,31	7	46	37	84	-	146	82	-	144	84	-	146		
160	161,25	6	46	32	83	-	145	81	-	142	83	-	145		
180	175,56	6	46	29	75	-	132	75	-	131	75	-	132		
200	201,76	5,0	46	25	75	-	131	74	-	130	75	-	131		
224	217,46	4,6	46	24	73	-	127	72	-	126	73	-	127		
250	249,92	4,0	46	21	72	-	126	72	-	125	72	-	126		
280	273,06	3,7	46	19	65	-	114	65	-	113	65	-	114		
315	313,82	3,2	46	16	65	-	113	64	-	113	65	-	113		
355	358,31	2,8	46	14	64	-	112	64	-	112	64	-	112		
400	396,89	2,5	46	13	61	-	106	60	-	105	61	-	106		
450	453,16	2,2	46	11	60	-	104	60	-	104	60	-	104		

Notes: (*) = Consult WEG.

(-) = Not available.

When the fan is installed on the input flange, PT is derated by 20%.

Right angle T only 3 and 4 stages.

1) Forced lubrication.

Selection tables

Right angle gearbox

W09 R/T - 1,000 rpm

W09 - n1 = 1000 rpm														58.5 kNm	
iN	i _{ex}	n2 [rpm]	M2 [kNm]	P1 [kW]	PT - 20 °C [kW]									ST	Dimensões
					Posição de montagem - P1			Posição de montagem - P5/P4			Posição de montagem - P4 ¹⁾				
					PTG	PTV	PTC	PTG	PTV	PTC	PTG	PTV	PTC		
6,3	6,35	157	45,8	754	309	458	556	274	406	493	291	432	524	2	(P1) 160 - 161 (P5) 176 - 177 (P4) 188 - 189
7,1	7,35	136	52,9	754	289	428	519	260	385	467	275	408	495		
8	7,64	131	55,3	757	288	427	518	262	388	471	277	410	498		
9	8,84	113	58,5	692	269	398	484	245	363	441	260	385	467		
10	9,71	103	56,3	607	249	369	448	235	349	423	244	361	438		
11,2	11,23	89	58,5	545	234	347	421	221	327	397	229	340	412		
12,5	12,19	82	58,5	502	220	326	395	211	313	380	217	321	390		
14	14,10	71	58,5	434	207	306	372	198	294	357	204	302	367		
16	15,79	63	50	347	157	233	286	151	224	275	158	235	288	3	(P1) 162 - 163 (P1) 166 - 167 (P5) 178 - 179 (P4) 190 - 191 (P4) 194 - 195
18	18,26	55	57	342	150	222	272	144	214	262	151	223	274		
20	19,69	51	58,5	325	150	222	272	145	215	264	151	223	274		
22,4	22,77	44	58,5	281	145	215	263	140	207	254	146	216	265		
25	24,67	41	58,5	260	143	211	259	139	205	252	143	212	260		
28	28,53	35	58,5	225	138	204	251	134	198	243	139	206	252		
31,5	30,52	33	58,5	210	124	184	225	122	181	222	124	184	226		
35,5	35,30	28	58,5	182	120	178	219	118	175	215	121	179	219		
40	38,23	26	58,5	168	117	173	212	115	170	209	117	173	213		
45	44,22	23	58,5	145	113	168	206	111	165	202	114	169	207		
50	48,01	21	58,5	133	103	152	186	102	151	185	103	152	187		
56	55,53	18	58,5	115	100	148	181	99	146	180	100	148	182		
63	63,09	16	58,5	102	94	140	171	94	139	170	94	140	172		
71	70,23	14	58,5	91	92	136	167	91	135	166	92	136	167		
80	79,79	13	58,5	80	91	135	166	90	134	164	91	135	166		
90	90,78	11	58,5	72	98	-	178	97	-	176	98	-	178		
100	103,15	10	58,5	63	97	-	177	96	-	174	97	-	177		
112	112,70	9	58,5	58	95	-	173	94	-	171	96	-	174		
125	128,05	8	58,5	51	95	-	172	93	-	169	95	-	172		
140	140,70	7	58,5	46	85	-	155	85	-	154	85	-	155		
160	159,86	6,3	58,5	41	84	-	153	84	-	152	84	-	154		
180	174,67	5,7	58,5	37	83	-	150	82	-	149	83	-	151		
200	198,46	5,0	58,5	33	82	-	149	81	-	148	82	-	149		
224	219,33	4,6	58,5	30	76	-	138	76	-	137	76	-	138		
250	249,20	4,0	58,5	26	75	-	137	75	-	136	75	-	137		
280	283,90	3,5	58,5	23	74	-	134	73	-	133	74	-	134		
315	315,17	3,2	58,5	21	71	-	128	70	-	128	71	-	128		
355	359,05	2,8	58,5	18	69	-	125	68	-	124	69	-	125		

Notes: (*) = Consult WEG.

(-) = Not available.

When the fan is installed on the input flange, PT is derated by 20%.

Right angle T only 3 and 4 stages.

1) Forced lubrication.

Selection tables

Right angle gearbox

W10 R/T - 1,000 rpm

W10 - n1 = 1000 rpm														67 kNm	
iN	i _{ex}	n2 [rpm]	M2 [kNm]	P1 [kW]	PT - 20 °C [kW]									ST	Dimensões
					Posição de montagem - P1			Posição de montagem - P5/P4			Posição de montagem - P4 ¹⁾				
					PTG	PTV	PTC	PTG	PTV	PTC	PTG	PTV	PTC		
7,1	7,16	140	51,7	756	320	474	568	282	417	500	299	444	532	2	(P1) 160 - 161 (P5) 176 - 177 (P4) 188 - 189
8	8,26	121	59,6	756	299	443	530	268	397	475	284	420	504		
9	8,61	116	62,3	757	298	442	529	270	400	479	286	423	507		
10	9,93	101	67,0	706	278	412	494	253	376	450	268	397	476		
11,2	10,94	91	63,5	607	258	382	458	243	360	431	252	373	447		
12,5	12,62	79	67,0	556	242	359	429	228	338	405	237	351	420		
14	13,74	73	66,6	508	227	337	404	219	324	388	224	332	398		
16	15,84	63	67,0	443	214	317	379	205	304	364	211	312	374		
18	17,79	56	56	345	148	219	266	142	210	255	149	221	268	3	(P1) 162 - 163 (P1) 166 - 167 (P5) 178 - 179 (P4) 190 - 191 (P4) 194 - 195
20	20,51	49	64	342	141	209	253	135	200	243	142	210	255		
22,4	22,18	45	67	331	157	233	283	152	226	274	158	234	284		
25	25,58	39	67	287	152	225	273	147	218	264	152	226	274		
28	27,79	36	67	264	146	217	263	142	211	256	147	218	264		
31,5	32,05	31	67	229	141	210	254	137	203	246	142	211	255		
35,5	34,38	29	67	213	127	188	228	125	186	225	127	189	229		
40	39,65	25	67	185	123	183	222	121	180	218	124	183	222		
45	43,08	23	67	170	120	177	215	118	175	212	120	178	216		
50	49,67	20	67	148	116	172	209	114	169	205	117	173	209		
56	54,09	18	67	136	105	156	189	104	154	187	105	156	189		
63	62,37	16	67	118	102	152	184	101	150	182	103	152	184		
71	70,87	14	67	104	97	143	174	96	143	173	97	144	174		
80	78,88	13	67	93	94	140	169	94	139	168	94	140	169		
90	89,63	11	67	82	93	138	168	93	137	167	93	139	168		
100	101,98	10	67	73	100	-	181	99	-	178	101	-	181		
112	115,86	9	67	64	100	-	179	98	-	176	100	-	179		
125	126,60	8	67	59	98	-	176	96	-	173	98	-	176		
140	143,84	7	67	52	97	-	174	95	-	172	97	-	174		
160	158,05	6	67	47	87	-	157	87	-	156	87	-	157		
180	179,57	5,6	67	42	87	-	155	86	-	154	87	-	156		
200	196,21	5,1	67	38	85	-	153	84	-	151	85	-	153		
224	222,93	4,5	67	33	84	-	151	83	-	150	84	-	151		
250	246,38	4,1	67	30	78	-	140	77	-	139	78	-	140		
280	279,93	3,6	67	27	77	-	139	77	-	138	77	-	139		
315	318,90	3,1	67	23	75	-	136	75	-	135	75	-	136		
355	354,02	2,8	67	21	72	-	130	72	-	130	72	-	130		
400	403,32	2,5	67	19	70	-	126	70	-	126	70	-	126		

Notes: (*) = Consult WEG.

(-) = Not available.

When the fan is installed on the input flange, PT is derated by 20%.

Right angle T only 3 and 4 stages.

1) Forced lubrication.

Selection tables

Right angle gearbox

W11 R/T - 1,000 rpm

W11 - n1 = 1000 rpm														80 kNm	
iN	i _{ex}	n2 [rpm]	M2 [kNm]	P1 [kW]	PT - 20 °C [kW]									ST	Dimensões
					Posição de montagem - P1			Posição de montagem - P5/P4			Posição de montagem - P4 ¹⁾				
					PTG	PTV	PTC	PTG	PTV	PTC	PTG	PTV	PTC		
6,3	6,35	157	60,4	995	373	552	611	320	474	525	345	512	567	2	(P1) 160 - 161 (P5) 176 - 177 (P4) 188 - 189
7,1	7,35	136	69,8	995	350	520	575	307	455	504	330	489	542		
8	7,64	131	78,3	1073	356	528	584	309	459	507	338	500	554		
9	8,84	113	80	948	334	494	547	289	429	474	317	470	521		
10	9,71	103	80	862	308	456	505	282	419	463	299	443	490		
11,2	11,23	89	80	746	289	429	475	264	392	434	281	416	461		
12,5	12,19	82	80	687	264	391	433	251	373	413	259	385	426		
14	14,10	71	80	594	249	369	408	237	351	388	245	363	402		
16	15,89	63	73	503	206	305	340	193	287	320	208	309	344	3	(P1) 162 - 163 (P1) 166 - 167 (P5) 178 - 179 (P4) 190 - 191 (P4) 194 - 195
18	18,38	54	80	477	196	291	324	185	274	306	198	294	328		
20	20,22	49	80	433	196	291	324	186	275	307	198	294	328		
22,4	23,39	43	80	375	190	281	314	179	265	295	192	285	317		
25	24,75	40	80	354	186	275	307	177	262	293	187	278	310		
28	28,63	35	80	306	180	266	297	170	252	281	181	269	300		
31,5	30,89	32	80	284	164	243	271	159	236	263	165	245	273		
35,5	35,73	28	80	245	159	236	263	154	228	255	160	238	265		
40	37,82	26	80	232	155	230	257	150	223	248	156	232	258		
45	43,74	23	80	200	151	223	249	145	215	240	152	225	251		
50	47,48	21	80	185	138	205	228	135	200	223	139	206	229		
56	54,92	18	80	160	134	199	222	131	194	217	135	200	223		
63	63,05	16	80	139	125	186	207	124	184	205	125	186	207		
71	69,46	14	80	126	122	181	201	120	179	199	122	181	202		
80	79,73	13	80	110	118	175	195	116	172	192	118	175	195		
90	88,35	11	80	101	129	-	212	125	-	207	129	-	213	4	(P1) 164 - 165 (P1) 168 - 169 (P5) 160 - 161 (P4) 192 - 193 (P4) 196 - 197
100	101,41	10	80	88	124	-	205	120	-	199	124	-	206		
112	111,23	9	80	80	123	-	203	119	-	197	123	-	203		
125	127,68	8	80	70	118	-	196	115	-	190	119	-	196		
140	136,93	7	80	65	114	-	188	112	-	185	114	-	188		
160	157,17	6,4	80	57	110	-	181	108	-	178	110	-	182		
180	172,39	5,8	80	52	108	-	179	107	-	176	109	-	179		
200	197,88	5,1	80	45	105	-	173	103	-	170	105	-	173		
224	216,47	4,6	80	41	98	-	162	97	-	160	98	-	162		
250	248,47	4,0	80	36	94	-	156	93	-	154	95	-	156		
280	285,56	3,5	80	31	93	-	154	92	-	152	93	-	154		
315	314,25	3,2	80	28	88	-	146	88	-	145	88	-	146		
355	361,15	2,8	80	25	86	-	143	86	-	142	86	-	143		

Notes: (*) = Consult WEG.

(-) = Not available.

When the fan is installed on the input flange, PT is derated by 20%.

Right angle T only 3 and 4 stages.

1) Forced lubrication.

Selection tables

Right angle gearbox

W12 R/T - 1,000 rpm

W12 - n1 = 1000 rpm														92 kNm	
iN	i _{ex}	n2 [rpm]	M2 [kNm]	P1 [kW]	PT - 20 °C [kW]									ST	Dimensões
					Posição de montagem - P1			Posição de montagem - P5/P4			Posição de montagem - P4 ¹⁾				
					PTG	PTV	PTC	PTG	PTV	PTC	PTG	PTV	PTC		
7,1	7,16	140	68,0	995	384	569	623	327	485	531	353	523	573	2	(P1) 160 - 161 (P5) 176 - 177 (P4) 188 - 189
8	8,26	121	78,4	995	361	535	586	314	466	510	338	501	549		
9	8,61	116	88,3	1074	367	544	596	318	471	516	347	514	562		
10	9,93	101	92,0	970	344	510	558	298	442	484	326	484	530		
11,2	10,94	91	90,4	865	318	471	515	291	431	472	307	455	499		
12,5	12,62	79	92,0	764	298	442	484	273	404	442	289	429	470		
14	13,74	73	90,1	687	272	403	441	259	384	420	267	396	433		
16	15,84	63	92,0	608	257	380	416	244	362	396	252	374	410		
18	17,90	56	82	502	209	310	344	197	291	323	212	314	348	3	(P1) 162 - 163 (P1) 166 - 167 (P5) 178 - 179 (P4) 190 - 191 (P4) 194 - 195
20	20,64	48	92	488	199	295	327	188	278	309	201	298	331		
22,4	22,78	44	92	442	199	295	327	189	279	310	201	298	330		
25	26,27	38	92	384	192	285	316	181	269	298	194	288	320		
28	27,89	36	92	361	188	279	309	180	266	295	190	282	312		
31,5	32,16	31	92	313	182	270	299	173	256	284	184	272	302		
35,5	34,81	29	92	289	166	247	273	162	239	265	167	248	275		
40	40,14	25	92	251	161	239	265	156	231	257	162	241	267		
45	42,61	23	92	236	157	233	259	152	226	251	158	235	260		
50	49,13	20	92	205	153	226	251	147	218	242	154	228	253		
56	53,50	19	92	188	140	208	230	137	203	225	141	209	231		
63	61,70	16	92	163	136	202	224	133	197	219	137	203	225		
71	70,82	14	92	142	127	188	209	126	186	207	127	189	209		
80	78,03	13	92	129	124	183	203	122	181	201	124	184	204		
90	89,56	11	92	113	119	177	196	118	175	194	120	177	197		
100	99,24	10	92	103	130	-	214	127	-	209	130	-	215	4	(P1) 164 - 165 (P1) 168 - 169 (P5) 160 - 161 (P4) 192 - 193 (P4) 196 - 197
112	113,91	9	92	90	126	-	206	122	-	201	126	-	207		
125	124,94	8	92	82	124	-	204	121	-	199	125	-	205		
140	143,42	7	92	71	120	-	197	116	-	191	120	-	198		
160	153,81	7	92	67	115	-	189	113	-	186	115	-	189		
180	176,55	5,7	92	58	111	-	183	109	-	180	111	-	183		
200	193,64	5,2	92	53	110	-	180	108	-	177	110	-	181		
224	222,28	4,5	92	46	106	-	174	104	-	171	106	-	174		
250	243,16	4,1	92	42	99	-	163	98	-	161	99	-	163		
280	279,11	3,6	92	37	96	-	157	95	-	156	96	-	158		
315	320,76	3,1	92	32	94	-	155	93	-	153	95	-	155		
355	352,99	2,8	92	29	89	-	147	89	-	146	89	-	147		
400	405,67	2,5	92	25	88	-	144	87	-	143	88	-	144		

Notes: (*) = Consult WEG.

(-) = Not available.

When the fan is installed on the input flange, PT is derated by 20%.

Right angle T only 3 and 4 stages.

1) Forced lubrication.

Selection tables

Right angle gearbox

W13 R/T - 1,000 rpm

W13 - n1 = 1000 rpm														115 kNm	
iN	i _{ex}	n2 [rpm]	M2 [kNm]	P1 [kW]	PT - 20 °C [kW]									ST	Dimensões
					Posição de montagem - P1			Posição de montagem - P5/P4			Posição de montagem - P4 ¹⁾				
					PTG	PTV	PTC	PTG	PTV	PTC	PTG	PTV	PTC		
6,3	6,35	157	95	1571	486	721	820	396	586	667	440	652	742	2	(P1) 160 - 161 (P5) 176 - 177 (P4) 188 - 189
7,1	7,35	136	110,3	1571	456	676	769	381	564	642	422	625	711		
8	7,64	131	115	1576	461	683	777	379	561	639	428	634	721		
9	8,84	113	115	1362	430	638	725	352	521	593	401	594	676		
10	9,71	103	115	1240	400	592	674	353	523	595	382	567	645		
11,2	11,23	89	115	1072	375	555	631	329	488	555	359	532	605		
12,5	12,19	82	115	988	346	513	584	320	474	539	337	500	569		
14	14,10	71	115	854	326	483	549	300	444	505	318	471	535		
16	16,09	62	115	783	271	402	457	250	371	422	276	409	465	3	(P1) 162 - 163 (P1) 166 - 167 (P5) 178 - 179 (P4) 190 - 191 (P4) 194 - 195
18	18,61	54	115	677	261	386	439	239	355	404	266	394	448		
20	20,27	49	115	621	263	390	443	242	359	408	268	397	452		
22,4	23,45	43	115	537	253	375	427	231	343	390	258	383	436		
25	24,45	41	115	515	237	351	399	222	329	374	240	356	405		
28	28,28	35	115	445	229	339	385	213	315	359	233	345	392		
31,5	30,58	33	115	412	209	310	352	200	297	338	211	313	355		
35,5	35,38	28	115	356	202	300	341	193	286	326	204	303	345		
40	38,30	26	115	329	203	301	342	194	287	327	205	304	346		
45	44,30	23	115	284	196	291	331	186	276	314	199	294	335		
50	48,09	21	115	262	182	269	306	176	260	296	183	271	309		
56	55,63	18	115	226	176	261	296	170	251	286	177	263	299		
63	62,68	16	115	201	165	245	278	162	240	273	166	246	280		
71	70,35	14	115	179	160	237	270	157	232	264	161	238	271		
80	79,27	13	115	159	155	229	261	151	224	255	156	231	262		
90	89,83	11	115	143	176	-	296	166	-	280	176	-	298	4	(P1) 164 - 165 (P1) 168 - 169 (P5) 160 - 161 (P4) 192 - 193 (P4) 196 - 197
100	101,22	10	115	127	170	-	286	160	-	269	170	-	287		
112	112,54	9	115	114	167	-	282	158	-	266	168	-	283		
125	126,81	8	115	101	161	-	272	151	-	255	162	-	273		
140	139,23	7	115	92	152	-	256	148	-	249	152	-	257		
160	156,87	6,4	115	82	147	-	247	142	-	240	147	-	248		
180	174,43	5,7	115	73	145	-	244	140	-	236	145	-	244		
200	196,54	5,1	115	65	140	-	235	135	-	228	140	-	236		
224	219,03	4,6	115	58	130	-	219	128	-	215	130	-	220		
250	246,79	4,1	115	52	126	-	212	123	-	208	126	-	212		
280	280,40	3,6	115	46	124	-	209	122	-	205	124	-	210		
315	312,12	3,2	115	41	117	-	196	115	-	194	117	-	197		
355	354,62	2,8	115	36	114	-	193	113	-	190	114	-	193		

Notes: (*) = Consult WEG.

(-) = Not available.

When the fan is installed on the input flange, PT is derated by 20%.

Right angle T only 3 and 4 stages.

1) Forced lubrication.

Selection tables

Right angle gearbox

W14 R/T - 1,000 rpm

W14 - n1 = 1000 rpm														132 kNm	
iN	i _{ex}	n2 [rpm]	M2 [kNm]	P1 [kW]	PT - 20 °C [kW]									ST	Dimensões
					Posição de montagem - P1			Posição de montagem - P5/P4			Posição de montagem - P4 ¹⁾				
					PTG	PTV	PTC	PTG	PTV	PTC	PTG	PTV	PTC		
7,1	7,16	140	107,4	1571	495	734	829	400	592	668	444	658	742	2	(P1) 160 - 161 (P5) 176 - 177 (P4) 188 - 189
8	8,26	121	123,9	1571	469	695	784	388	575	649	430	637	719		
9	8,61	116	130,2	1583	470	697	787	385	571	644	434	644	726		
10	9,93	101	132	1392	442	656	740	361	535	604	411	609	687		
11,2	10,94	91	132	1263	408	605	683	360	534	602	390	578	652		
12,5	12,62	79	132	1096	385	571	644	338	501	566	369	546	616		
14	13,74	73	132	1006	354	525	592	327	484	546	345	511	576		
16	15,84	63	132	872	335	497	560	308	457	515	326	484	545		
18	18,13	55	132	798	266	395	457	240	356	413	273	404	468		
20	20,90	48	132	692	256	380	440	230	341	395	263	390	452		
22,4	22,84	44	132	633	257	382	442	231	343	398	264	391	454		
25	26,34	38	132	549	248	368	427	221	327	379	255	379	439		
28	27,55	36	132	525	226	335	389	212	314	364	230	340	394		
31,5	31,77	31	132	455	219	325	377	204	303	351	223	330	383		
35,5	34,46	29	132	420	199	296	343	192	284	329	201	298	346		
40	39,74	25	132	364	194	287	333	185	275	318	196	290	337		
45	43,15	23	132	335	194	287	333	185	274	318	196	290	336		
50	49,76	20	132	291	188	279	323	179	265	307	190	282	327		
56	54,19	18	132	267	173	257	298	168	249	288	175	259	300		
63	62,48	16	132	231	169	250	290	163	241	279	170	252	292		
71	70,40	14	132	205	158	234	271	155	230	266	159	235	272		
80	79,02	13	132	183	153	227	264	150	223	258	154	229	265		
90	89,04	11	132	162	148	220	255	145	215	249	149	221	256		
100	100,91	10	132	146	168	-	289	159	-	274	169	-	291		
112	113,70	9	132	129	163	-	279	153	-	263	163	-	281		
125	126,42	8	132	116	160	-	275	151	-	260	161	-	277		
140	142,44	7	132	103	155	-	266	145	-	249	155	-	267		
160	156,39	6	132	94	146	-	250	142	-	243	146	-	251		
180	176,21	5,7	132	83	141	-	242	137	-	235	141	-	242		
200	195,93	5,1	132	75	139	-	238	135	-	231	139	-	239		
224	220,77	4,5	132	67	134	-	230	130	-	223	134	-	231		
250	246,03	4,1	132	60	125	-	214	122	-	210	125	-	215		
280	277,22	3,6	132	53	121	-	207	118	-	203	121	-	208		
315	314,97	3,2	132	47	119	-	204	117	-	200	119	-	205		
355	350,60	2,9	132	42	112	-	192	110	-	190	112	-	192		
400	398,34	2,5	132	37	110	-	188	108	-	186	110	-	189		
														4	(P1) 164 - 165 (P1) 168 - 169 (P5) 160 - 161 (P4) 192 - 193 (P4) 196 - 197

Notes: (*) = Consult WEG.

(-) = Not available.

When the fan is installed on the input flange, PT is derated by 20%.

Right angle T only 3 and 4 stages.

1) Forced lubrication.

Selection tables

Right angle gearbox

W15 R/T - 1,000 rpm

W15 - n1 = 1000 rpm														158 kNm	
iN	i _{ex}	n2 [rpm]	M2 [kNm]	P1 [kW]	PT - 20 °C [kW]									ST	Dimensões
					Posição de montagem - P1			Posição de montagem - P5/P4			Posição de montagem - P4 ¹⁾				
					PTG	PTV	PTC	PTG	PTV	PTC	PTG	PTV	PTC		
6,3	6,35	157	125,1	2063	555	823	889	429	636	687	489	725	783	2	(P1) 160 - 161 (P5) 176 - 177 (P4) 188 - 189
7,1	7,41	135	146,0	2063	519	769	831	414	614	663	470	697	753		
8	7,64	131	147,8	2026	517	767	828	422	626	676	476	705	762		
9	8,91	112	158	1856	482	714	772	397	588	635	448	664	718		
10	9,70	103	158	1704	464	688	743	394	585	632	439	651	703		
11,2	11,32	88	158	1461	433	642	693	365	541	585	410	608	657		
12,5	12,18	82	158	1358	406	602	650	365	541	584	392	582	628		
14	14,22	70	158	1164	380	563	608	339	503	543	367	545	588		
16	15,48	65	125	884	159	236	259	277	410	451	317	470	516	3	(P1) 162 - 163 (P1) 166 - 167 (P5) 178 - 179 (P4) 190 - 191 (P4) 194 - 195
18	18,07	55	145	879	308	456	501	264	391	429	299	444	488		
20	19,51	51	155	870	291	431	473	268	397	436	301	446	490		
22,4	22,77	44	158	760	293	434	476	254	377	414	287	426	468		
25	24,41	41	158	709	279	414	455	243	361	397	260	385	424		
28	28,49	35	158	607	256	379	417	233	346	380	251	372	409		
31,5	30,56	33	158	566	246	365	401	219	325	357	228	338	372		
35,5	35,67	28	158	485	226	334	367	211	313	344	221	328	360		
40	38,23	26	158	453	218	323	355	208	308	338	217	321	353		
45	44,63	22	158	388	214	318	349	200	297	326	210	311	342		
50	48,01	21	158	360	207	307	337	188	279	307	194	288	316		
56	56,04	18	158	309	192	285	313	182	270	296	188	279	307		
63	63,19	16	158	274	186	276	303	174	257	283	177	262	288		
71	70,87	14	158	244	176	260	286	168	249	274	172	254	279		
80	79,92	13	158	217	170	252	277	165	245	269	169	250	275		
90	90,49	11	158	194	186	-	303	179	-	291	187	-	304	4	(P1) 164 - 165 (P1) 168 - 169 (P5) 160 - 161 (P4) 192 - 193 (P4) 196 - 197
100	102,05	10	158	172	182	-	297	174	-	284	183	-	298		
112	113,38	9	158	155	177	-	289	170	-	277	178	-	290		
125	127,85	8	158	138	174	-	283	166	-	270	174	-	284		
140	140,25	7	158	125	161	-	262	158	-	257	161	-	263		
160	158,16	6,3	158	111	158	-	257	155	-	252	158	-	258		
180	175,72	5,7	158	100	154	-	250	150	-	245	154	-	251		
200	198,15	5,0	158	89	151	-	245	147	-	240	151	-	246		
224	220,64	4,5	158	80	139	-	226	137	-	223	139	-	226		
250	248,82	4,0	158	71	136	-	221	134	-	218	136	-	222		
280	282,70	3,5	158	62	135	-	219	132	-	216	135	-	219		
315	314,68	3,2	158	56	126	-	206	125	-	204	127	-	206		
355	357,53	2,8	158	49	124	-	203	123	-	201	124	-	203		

Notes: (*) = Consult WEG.

(-) = Not available.

When the fan is installed on the input flange, PT is derated by 20%.

Right angle T only 3 and 4 stages.

1) Forced lubrication.

Selection tables

Right angle gearbox

W16 R/T - 1,000 rpm

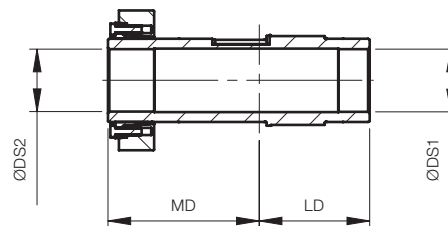
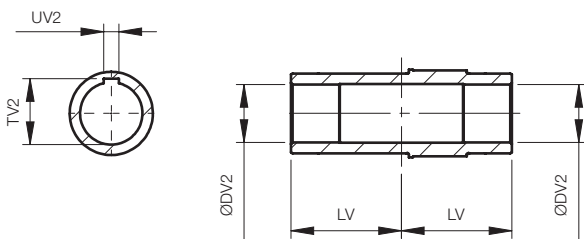
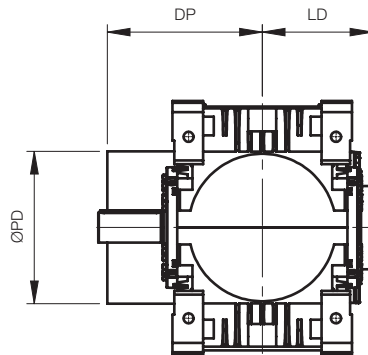
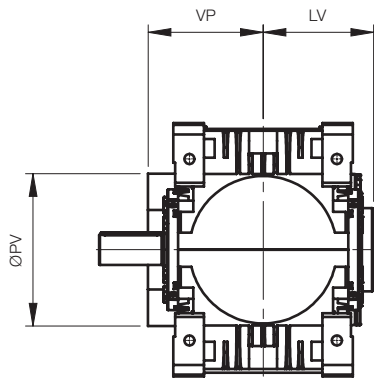
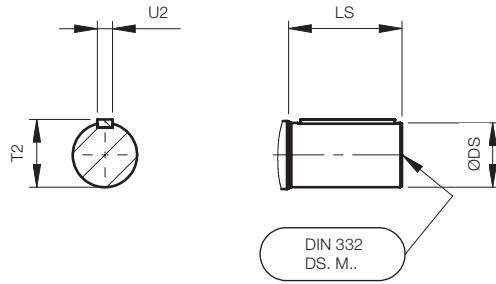
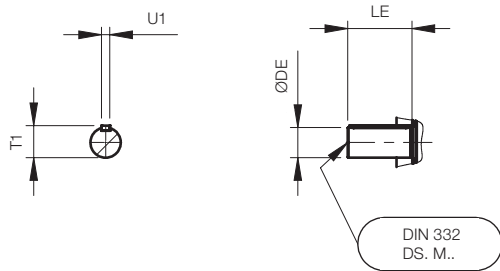
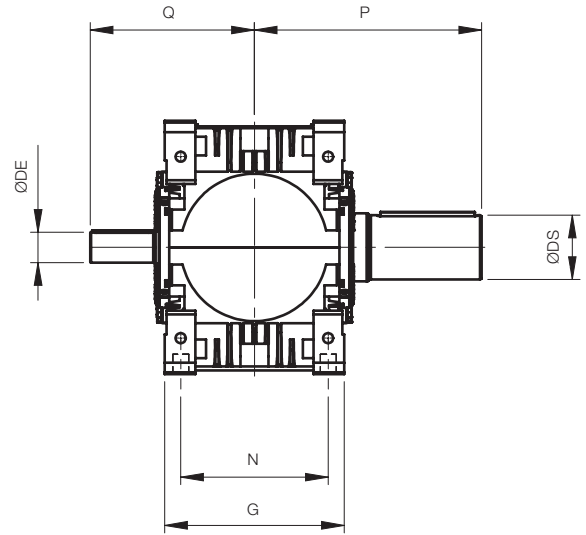
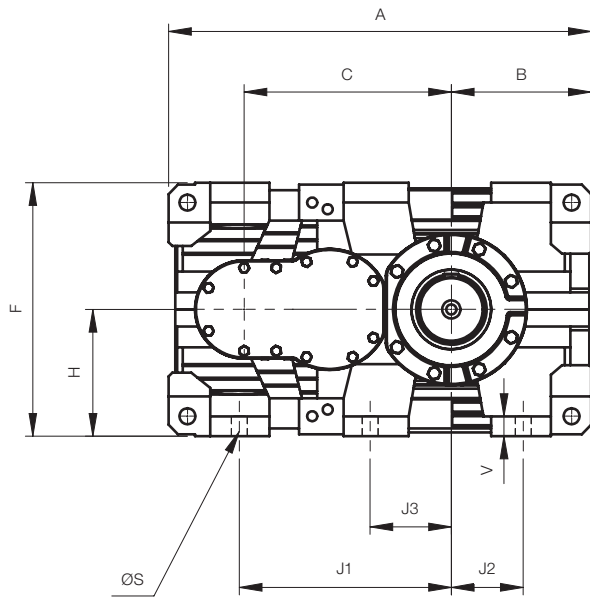
W16 - n1 = 1000 rpm														178 kNm	
iN	i _{ex}	n2 [rpm]	M2 [kNm]	P1 [kW]	PT - 20 °C [kW]									ST	Dimensões
					Posição de montagem - P1			Posição de montagem - P5/P4			Posição de montagem - P4 ¹⁾				
					PTG	PTV	PTC	PTG	PTV	PTC	PTG	PTV	PTC		
7,1	7,11	141	140	2063	562	832	893	430	638	684	490	726	779	2	(P1) 160 - 161 (P5) 176 - 177 (P4) 188 - 189
8	8,27	121	163	2063	525	777	834	416	617	662	472	700	751		
9	8,55	117	165	2026	524	776	833	426	631	677	479	710	761		
10	9,95	101	178	1874	488	723	776	401	595	638	452	670	719		
11,2	10,86	92	178	1715	471	698	749	400	592	635	444	658	706		
12,5	12,64	79	178	1475	439	650	697	370	549	588	415	615	660		
14	13,64	73	178	1367	412	611	655	370	548	588	398	589	632		
16	15,87	63	178	1175	385	571	613	344	510	547	372	552	592		
18	17,33	58	140	885	313	464	506	281	416	454	321	476	519	3	(P1) 162 - 163 (P1) 166 - 167 (P5) 178 - 179 (P4) 190 - 191 (P4) 194 - 195
20	20,17	50	160	869	296	438	479	267	396	433	303	449	490		
22,4	21,84	46	170	853	298	441	482	272	403	440	304	451	492		
25	25,41	39	178	767	284	421	460	258	382	417	291	431	471		
28	27,32	37	178	714	260	386	421	247	366	399	264	391	426		
31,5	31,79	31	178	613	251	372	406	236	350	383	254	377	411		
35,5	34,21	29	178	570	229	340	371	222	329	359	231	343	374		
40	39,80	25	178	490	222	329	359	214	317	346	224	332	362		
45	42,80	23	178	456	218	323	353	211	312	341	220	326	356		
50	49,80	20	178	391	211	312	341	203	300	328	213	315	344		
56	53,74	19	178	363	196	290	317	191	283	309	197	292	318		
63	62,53	16	178	312	189	281	307	184	273	298	191	283	309		
71	70,52	14	178	276	179	265	289	176	261	285	179	266	290		
80	79,09	13	178	247	173	257	280	170	253	276	174	258	281		
90	89,19	11	178	219	170	252	275	167	248	271	171	253	277		
100	100,99	10	178	196	188	-	305	181	-	293	189	-	306		
112	113,88	9	178	174	184	-	298	177	-	286	185	-	300		
125	126,52	8	178	157	179	-	290	172	-	278	180	-	291		
140	142,68	7	178	139	176	-	284	168	-	272	176	-	286		
160	156,52	6	178	127	163	-	264	160	-	259	163	-	264		
180	176,50	5,7	178	112	160	-	259	157	-	253	160	-	259		
200	196,09	5,1	178	101	156	-	252	152	-	247	156	-	252		
224	221,13	4,5	178	90	153	-	247	149	-	241	153	-	247		
250	246,23	4,1	178	81	140	-	227	139	-	224	141	-	227		
280	277,67	3,6	178	71	138	-	223	136	-	220	138	-	223		
315	315,48	3,2	178	63	136	-	221	134	-	217	136	-	221		
355	351,17	2,8	178	56	128	-	207	127	-	206	128	-	207		
400	398,99	2,5	178	50	126	-	204	125	-	202	126	-	204		

Notes: (*) = Consult WEG.
 (-) = Not available.
 When the fan is installed on the input flange, PT is derated by 20%.
 Right angle T only 3 and 4 stages.
 1) Forced lubrication.

Dimensions and weight

Horizontal mounting

Parallel shafts 2 stages



Dimensions and weight

Horizontal mounting

Parallel shafts 2 stages

Size	A	B	C	F	G	H	J1	J2	J3	N	P	Q	QS	V
W01	606	190	286	380	260	190	316	90	-	210	343	265	24 (x4)	29
W02	665	215	320	380	260	190	350	115	-	210	346	265	24 (x4)	29
W03	693	215	338	450	300	225	365	105	-	245	400	285	28 (x4)	33
W04	767	250	377	450	300	225	390	140	-	245	404	285	28 (x4)	33
W05	808	250	398	530	360	265	416	110	-	290	432	345	35 (4x)	40
W06	899	295	444	530	360	265	465	155	-	290	475	345	35 (4x)	40
W07	1015	355	470	630	425	315	490	185	-	340	506	380	42 (4x)	46
W08	1069	355	524	630	425	315	544	185	-	340	556	380	42 (4x)	46
W09	1118	370	548	670	475	335	561	190	215	390	592	440	42 (6x)	52
W10	1150	370	580	670	475	335	595	190	215	390	592	440	42 (6x)	52
W11	1260	420	617	750	515	375	630	205	230	420	612	460	48 (6x)	54
W12	1295	420	652	750	515	375	665	205	230	420	662	460	48 (6x)	54
W13	1422	465	707	850	570	425	740	250	280	440	702	535	48 (6x)	56
W14	1463	465	748	850	570	425	780	250	280	440	762	535	48 (6x)	56
W15	1531	495	766	900	630	450	790	250	305	510	810	575	56 (6x)	62
W16	1571	495	806	900	630	450	830	250	305	510	810	575	56 (6x)	62

Input shaft					
Size	ØDE	LE	T1	U1	DIN 332 DS. M..
W01	40 m6	110	43	12 h9	M16
W02	40 m6	110	43	12 h9	M16
W03	50 m6	110	53,5	14 h9	M16
W04	50 m6	110	53,5	14 h9	M16
W05	60 m6	140	64	18 h9	M20
W06	60 m6	140	64	18 h9	M20
W07	70 m6	140	74,5	20 h9	M20
W08	70 m6	140	74,5	20 h9	M20
W09	80 m6	170	85	22 h9	M20
W10	80 m6	170	85	22 h9	M20
W11	95 m6	170	100	25 h9	M24
W12	95 m6	170	100	25 h9	M24
W13	105 m6	210	111	28 h9	M24
W14	105 m6	210	111	28 h9	M24
W15	115 m6	210	122	32 h9	M24
W16	115 m6	210	122	32 h9	M24

Solid output shaft						
Size	ØDS	LS	T2	U2	DIN 332 DS. M..	kg
W01	80 m6	170	85	22 h9	M20	198
W02	90 m6	170	95	25 h9	M24	226,3
W03	100 m6	210	96	28 h9	M24	360,7
W04	110 m6	210	116	28 h9	M24	356
W05	120 m6	210	127	32 h9	M24	485
W06	130 m6	250	137	32 h9	M24	552
W07	140 m6	250	148	36 h9	M30	840
W08	160 m6	300	169	40 h9	M30	945
W09	170 m6	300	179	40 h9	M30	1.161
W10	170 m6	300	179	40 h9	M30	1.247
W11	180 m6	300	190	45 h9	M30	1.656
W12	190 m6	350	200	45 h9	M30	1.767
W13	210 m6	350	221	50 h9	M30	2.267
W14	230 m6	410	241	50 h9	M36	2.622
W15	230 m6	410	241	50 h9	M36	3.051
W16	240 m6	410	252	56 h9	M36	3.326

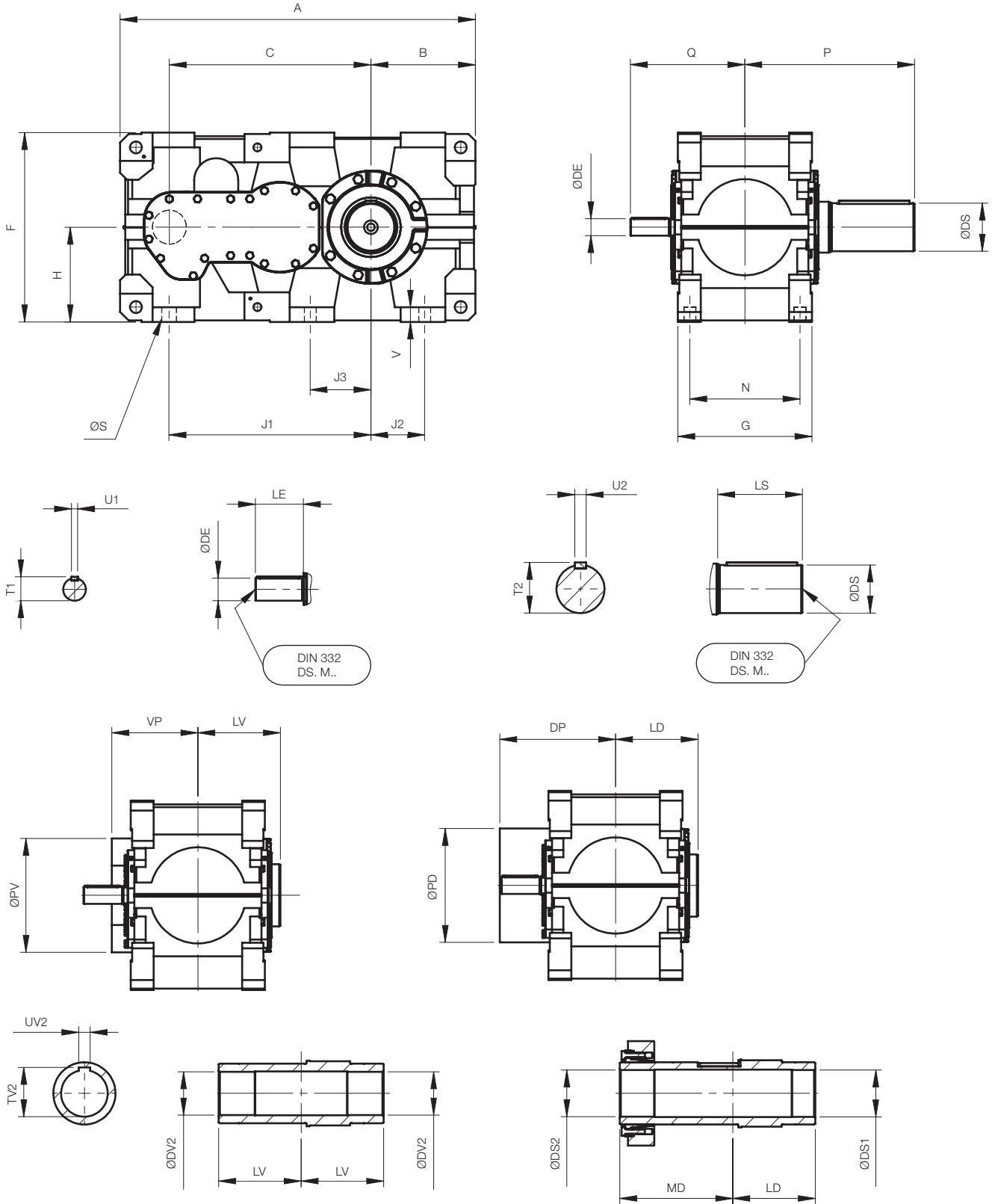
Hollow output shaft							
Size	ØDV2	LV	ØPV	TV2	UV2	VP	kg
W01	75 H8	173	182	79,9	20 JS9	181,25	184
W02	85 H8	176	210	90,4	22 JS9	181	207,1
W03	95 H8	190	224	100,4	25 JS9	197	330
W04	105 H8	194	236	111,4	28 JS9	201	320
W05	115 H8	222	305	122,4	32 JS9	265	436
W06	125 H8	224	320	132,4	32 JS9	265	488
W07	135 H8	256	350	143,4	36 JS9	305	753
W08	150 H8	256	380	158,4	36 JS9	305	867
W09	165 H8	292	400	174,4	40 JS9	345	1.039
W10	165 H8	292	400	174,4	40 JS9	345	1.122
W11	180 H8	319	460	190,4	45 JS9	370	1.469
W12	190 H8	319	460	200,4	45 JS9	370	1.577
W13	210 H8	352	520	221,4	50 JS9	400	2.064
W14	210 H8	352	560	221,4	50 JS9	400	2.229
W15	230 H8	400	560	241,4	50 JS9	460	2.626
W16	240 H8	400	600	252,4	56 JS9	460	2.881

Output shaft shrink disc							
Size	ØDS1	ØDS2	ØPD	LD	MD	DP	kg
W01	81 H9	80 H7	230	173	261	267,5	186
W02	91 H9	90 H7	240	176	264	272,25	208
W03	101 H9	100 H7	268	190	286	294,25	355
W04	111 H9	110 H7	280	194	296	304,75	322
W05	121 H9	120 H7	305	222	328	370	439
W06	131 H9	130 H7	320	224	336	375	493
W07	141 H9	140 H7	350	256	364	415	761
W08	151 H9	150 H7	380	256	364	415	878
W09	166 H9	165 H7	400	292	400	450	1.072
W10	166 H9	165 H7	400	292	400	450	1.156
W11	181 H9	180 H7	460	319	451	500	1.495
W12	191 H9	190 H7	460	319	451	500	1.604
W13	211 H9	210 H7	520	352	498	550	2.095
W14	211 H9	210 H7	560	352	498	550	2.260
W15	231 H9	230 H7	560	400	570	630	2.663
W16	241 H9	240 H7	600	400	570	630	2.915

Dimensions and weight

Horizontal mounting

Parallel shafts 3 stages



Dimensions and weight

Horizontal mounting

Parallel shafts 3 stages

Size	A	B	C	F	G	H	J1	J2	J3	N	P	Q	QS	V
W01	666	190	376	380	260	190	370	90	-	210	260	235	24 (4x)	29
W02	725	215	410	380	260	190	390	115	-	210	346	235	24 (4x)	29
W03	778	215	452	450	300	255	440	105	-	245	400	255	28(4x)	33
W04	852	250	491	450	300	255	475	140	-	245	404	255	28(4x)	33
W05	918	250	518	530	360	265	520	110	-	290	432	315	35 (4x)	40
W06	1009	295	564	530	360	265	565	155	-	290	475	315	35 (4x)	40
W07	1145	355	612	630	425	315	620	185	-	340	506	350	42 (4x)	46
W08	1199	355	666	630	425	315	670	185	-	340	556	350	42 (4x)	46
W09	1258	370	714	670	475	335	720	190	215	390	592	405	42 (6x)	52
W10	1290	370	746	670	475	335	752	190	215	390	592	405	42 (6x)	52
W11	1417	420	813	750	515	375	795	205	230	420	612	425	48 (6x)	54
W12	1452	420	848	750	515	375	830	205	230	420	662	425	48 (6x)	54
W13	1604	465	933	850	570	425	925	250	280	440	702	455	48 (6x)	56
W14	1644	465	973	850	570	425	965	250	280	440	762	455	48 (6x)	56
W15	1718	495	992	900	630	450	1005	250	305	510	810	485	56 (6x)	62
W16	1758	495	1032	900	630	450	1025	250	305	510	810	485	56 (6x)	62

Input shaft					
Size	ØDE	LE	T1	U1	DIN 332 DS. M..
W01	32 k6	80	34,8	10	M12
W02	32 k6	80	34,8	10	M12
W03	38 k6	80	41	10	M12
W04	38 k6	80	41	10	M12
W05	45 k6	110	48.5	14 h9	M16
W06	45 k6	110	48.5	14 h9	M16
W07	50 k6	110	53.5	14 h9	M16
W08	50 k6	110	53.5	14 h9	M16
W09	60 m6	140	64	18 h9	M20
W10	60 m6	140	64	18 h9	M20
W11	65 m6	140	69	18 h9	M20
W12	65 m6	140	69	18 h9	M20
W13	75 m6	140	79.5	20 h9	M20
W14	75 m6	140	79.5	20 h9	M20
W15	75 m6	140	79.5	20 h9	M20
W16	75 m6	140	79.5	20 h9	M20

Solid output shaft						
Size	ØDS	LS	T2	U2	DIN 332 DS. M..	kg
W01	80 m6	170	85	22 h9	M20	215,7
W02	90 m6	170	95	25 h9	M24	246
W03	100 m6	210	106	28 h9	M24	334
W04	110 m6	210	116	28 h9	M24	378
W05	120 m6	210	127	32 h9	M24	517
W06	130 m6	250	137	32 h9	M24	585
W07	140 m6	250	148	36 h9	M30	891
W08	160 m6	300	169	40 h9	M30	1,000
W09	170 m6	300	179	40 h9	M30	1,275
W10	170 m6	300	179	40 h9	M30	1,355
W11	180 m6	300	190	45 h9	M30	1,825
W12	190 m6	350	200	45 h9	M30	1,936
W13	210 m6	350	221	50 h9	M30	2,451
W14	230 m6	410	241	50 h9	M36	2,828
W15	230 m6	410	241	50 h9	M36	3,300
W16	240 m6	410	252	56 h9	M36	3,565

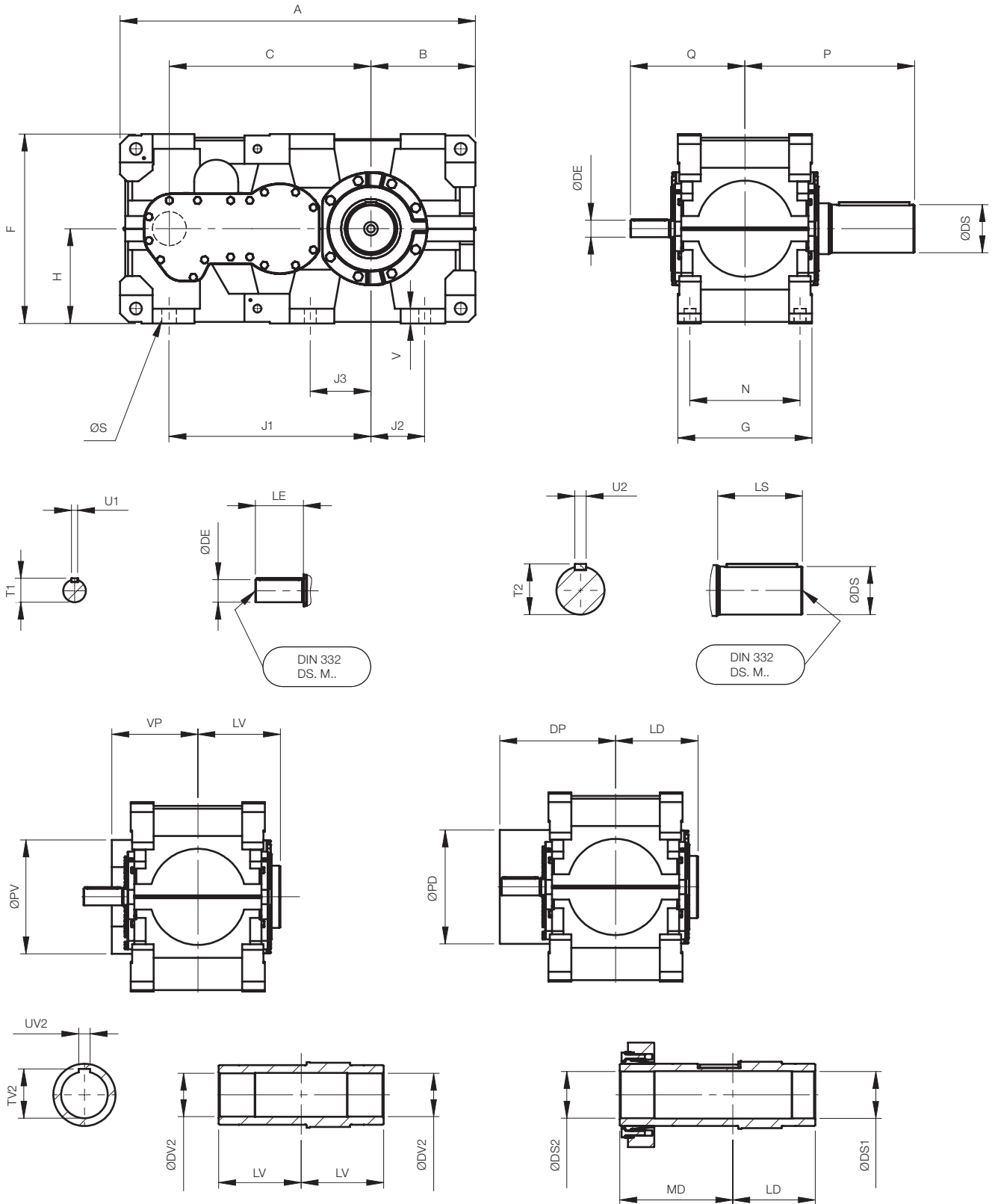
Hollow output shaft							
Size	ØDV2	LV	ØPV	TV2	UV2	VP	kg
W01	75 H8	173	182	79,9	20 JS9	181,25	202
W02	85 H8	176	210	90,4	22 JS9	181	226,7
W03	95 H8	190	224	100,4	25 JS9	197	304,7
W04	105 H8	194	236	111,4	28 JS9	201	341,7
W05	115 H8	222	305	122,4	32 JS9	265	468
W06	125 H8	224	320	132,4	32 JS9	265	527
W07	135 H8	256	350	143,4	36 JS9	305	810
W08	150 H8	256	380	158,4	36 JS9	305	928
W09	165 H8	292	400	174,4	40 JS9	345	1,153
W10	165 H8	292	400	174,4	40 JS9	345	1,230
W11	180 H8	319	460	190,4	45 JS9	370	1,618
W12	190 H8	319	460	200,4	45 JS9	370	1,726
W13	210 H8	352	520	221,4	50 JS9	400	2,224
W14	210 H8	352	560	221,4	50 JS9	400	2,411
W15	230 H8	400	560	241,4	50 JS9	460	2,827
W16	240 H8	400	600	252,4	56 JS9	460	3,072

Output shaft shrink disc							
Size	ØDS1	ØDS2	ØPD	LD	MD	DP	kg
W01	81 H9	80 H7	230	173	261	267,5	204
W02	91 H9	90 H7	240	176	264	272,25	227,6
W03	101 H9	100 H7	268	190	286	294,25	307,8
W04	111 H9	110 H7	280	194	296	304,75	344
W05	121 H9	120 H7	305	222	328	370	471
W06	131 H9	130 H7	320	224	336	375	532
W07	141 H9	140 H7	350	256	364	415	818
W08	151 H9	150 H7	380	256	364	415	939
W09	166 H9	165 H7	400	292	400	450	1,186
W10	166 H9	165 H7	400	292	400	450	1,264
W11	181 H9	180 H7	460	319	451	500	1,644
W12	191 H9	190 H7	460	319	451	500	1,753
W13	211 H9	210 H7	520	352	498	550	2,255
W14	211 H9	210 H7	560	352	498	550	2,442
W15	231 H9	230 H7	560	400	570	630	2,864
W16	241 H9	240 H7	600	400	570	630	3,106

Dimensions and weight

Horizontal mounting

Parallel shafts 4 stages



Dimensions and weight

Horizontal mounting

Parallel shafts 4 stages

Size	A	B	C	F	G	H	J1	J2	J3	N	P	Q	ØS	V
W03	778	215	452	450	300	255	440	105	-	245	210	235	28 (4x)	33
W04	852	250	491	450	300	255	475	140	-	245	210	167	28 (4x)	33
W05	918	250	518	530	360	265	520	110	-	290	432	285	35 (4x)	40
W06	1009	295	564	530	360	265	565	155	-	290	475	285	35 (4x)	40
W07	1145	355	612	630	425	315	620	185	-	340	506	320	42 (4x)	46
W08	1199	355	666	630	425	315	670	185	-	340	556	320	42 (4x)	46
W09	1258	370	714	670	475	335	720	190	215	390	592	375	42 (6x)	52
W10	1290	370	746	670	475	335	752	190	215	390	592	375	42 (6x)	52
W11	1417	420	813	750	515	375	795	205	230	420	612	395	48 (6x)	54
W12	1452	420	848	750	515	375	830	205	230	420	662	395	48 (6x)	54
W13	1604	465	933	850	570	425	925	250	280	440	702	425	48 (6x)	56
W14	1644	465	973	850	570	425	965	250	280	440	762	425	48 (6x)	56
W15	1718	495	992	900	630	450	1005	250	305	510	810	485	56 (6x)	62
W16	1758	495	1032	900	630	450	1025	250	305	510	810	485	56 (6x)	62

Input shaft					
Size	ØDE	LE	T1	U1	DIN 332 DS. M..
W03	25 k6	60	28	8 h9	M10
W04	25 k6	60	28	8 h9	M10
W05	30 k6	80	33	8 h9	M10
W06	30 k6	80	33	8 h9	M10
W07	35 k6	80	38	10 h9	M12
W08	35 k6	80	38	10 h9	M12
W09	40 k6	110	43	12 h9	M16
W10	40 k6	110	43	12 h9	M16
W11	45 k6	110	48.5	14 h9	M16
W12	45 k6	110	48.5	14 h9	M16
W13	55 m6	110	59	16 h9	M20
W14	55 m6	110	59	16 h9	M20
W15	60 m6	140	64	18 h9	M20
W16	60 m6	140	64	18 h9	M20

Solid output shaft						
Size	ØDS	LS	T2	U2	DIN 332 DS. M..	kg
W03	100 m6	210	106	28 h9	M24	339,6
W04	110 m6	210	116	28 h9	M24	381,6
W05	120 m6	210	127	32 h9	M24	520
W06	130 m6	250	137	32 h9	M24	594
W07	140 m6	250	148	36 h9	M30	906
W08	160 m6	300	169	40 h9	M30	1,015
W09	170 m6	300	179	40 h9	M30	1,288
W10	170 m6	300	179	40 h9	M30	1,368
W11	180 m6	300	190	45 h9	M30	1,827
W12	190 m6	350	200	45 h9	M30	1,938
W13	210 m6	350	221	50 h9	M30	2,471
W14	230 m6	410	241	50 h9	M36	2,848
W15	230 m6	410	241	50 h9	M36	3,293
W16	240 m6	410	252	56 h9	M36	3,558

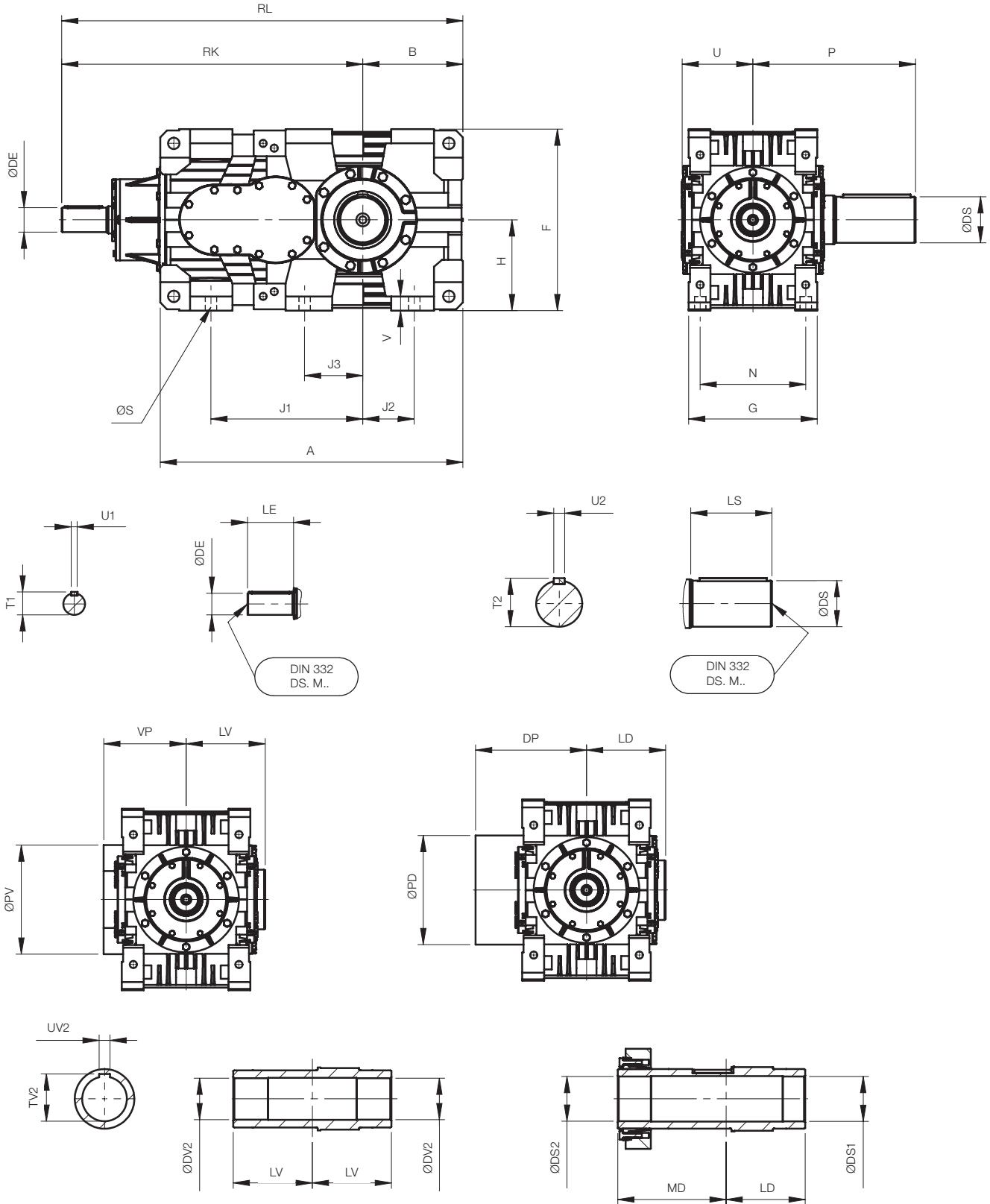
Hollow output shaft							
Size	ØDV2	LV	ØPV	TV2	UV2	VP	kg
W03	95 H8	190	224	100,4	25 JS9	197	310,1
W04	105 H8	194	236	111,4	28 JS9	201	345,1
W05	115 H8	222	305	122,4	32 JS9	265	471
W06	125 H8	224	320	132,4	32 JS9	265	530
W07	135 H8	256	350	143,4	36 JS9	305	819
W08	150 H8	256	380	158,4	36 JS9	305	937
W09	165 H8	292	400	174,4	40 JS9	345	1,166
W10	165 H8	292	400	174,4	40 JS9	345	1,243
W11	180 H8	319	460	190,4	45 JS9	370	1,640
W12	190 H8	319	460	200,4	45 JS9	370	1,748
W13	210 H8	352	520	221,4	50 JS9	400	2,268
W14	210 H8	352	560	221,4	50 JS9	400	2,455
W15	230 H8	400	560	241,4	50 JS9	460	2,868
W16	240 H8	400	600	252,4	56 JS9	460	3,113

Output shaft shrink disc							
Size	ØDS1	ØDS2	ØPD	LD	MD	DP	kg
W03	101 H9	100 H7	268	190	286	294,25	313,1
W04	111 H9	110 H7	280	194	296	304,75	347,3
W05	121 H9	120 H7	305	222	328	370	474
W06	131 H9	130 H7	320	224	336	375	535
W07	141 H9	140 H7	350	256	364	415	827
W08	151 H9	150 H7	380	256	364	415	948
W09	166 H9	165 H7	400	292	400	450	1,199
W10	166 H9	165 H7	400	292	400	450	1,277
W11	181 H9	180 H7	460	319	451	500	1,666
W12	191 H9	190 H7	460	319	451	500	1,775
W13	211 H9	210 H7	520	352	498	550	2,299
W14	211 H9	210 H7	560	352	498	550	2,486
W15	231 H9	230 H7	560	400	570	630	2,905
W16	241 H9	240 H7	600	400	570	630	3,147

Dimensions and weight

Horizontal mounting

Right angle shafts R 2 stages



Dimensions and weight

Horizontal mounting

Right angle shafts R 2 stages

Size	A	B	F	G	H	J1	J2	J3	N	P	ØS	U	V	RK	RL
W01	606	190	380	260	190	316	90	-	210	343	24 (4x)	147	29	656	846
W02	665	215	380	260	190	350	115	-	210	346	24 (4x)	147	29	690	905
W03	693	215	450	300	225	365	105	-	245	400	28 (4x)	167	33	745	941
W04	767	250	450	300	225	390	140	-	245	404	28 (4x)	167	33	765	1015
W05	808	250	530	360	265	416	110	-	290	432	35 (4x)	191	40	842	1092
W06	899	295	530	360	265	465	155	-	290	475	35 (4x)	191	40	888	1183
W07	1015	355	630	425	315	490	185	-	340	506	42 (4x)	226	46	984	1339
W08	1069	355	630	425	315	544	185	-	340	556	42 (4x)	226	46	1038	1393
W09	1118	370	670	475	335	561	190	215	390	592	42 (6x)	261	52	1102	1472
W10	1150	370	670	475	335	595	190	215	390	592	42 (6x)	261	52	1134	1504
W11	1260	420	750	515	375	630	205	230	420	612	48 (6x)	281	54	1275	1695
W12	1295	420	750	515	375	665	205	230	420	662	48 (6x)	281	54	1310	1730
W13	1422	465	850	570	425	740	250	280	440	702	48 (6x)	317	56	1405	1870
W14	1463	465	850	570	425	780	250	280	440	762	48 (6x)	317	56	1446	1911
W15	1531	495	900	630	450	790	250	305	510	810	56 (6x)	357	62	1570	2065
W16	1571	495	900	630	450	830	250	305	510	810	56 (6x)	357	62	1610	2105

Input shaft					
Size	ØDE	LE	T1	U1	DIN 332 DS. M..
W01	45 m6	110	48,5	14 h9	M16
W02	45 m6	110	48,5	14 h9	M16
W03	55 m6	110	59	16 h9	M20
W04	55 m6	110	59	16 h9	M20
W05	70 m6	140	74.5	20 h9	M20
W06	70 m6	140	74.5	20 h9	M20
W07	80 m6	170	85	22 h9	M20
W08	80 m6	170	85	22 h9	M20
W09	90 m6	170	95	25 h9	M24
W10	90 m6	170	95	25 h9	M24
W11	100 m6	210	106	28 h9	M24
W12	100 m6	210	106	28 h9	M24
W13	120 m6	210	131	32 h9	M24
W14	120 m6	210	131	32 h9	M24
W15	130 m6	250	141	32 h9	M24
W16	130 m6	250	141	32 h9	M24

Solid output shaft						
Size	ØDS	LS	T2	U2	DIN 332 DS. M..	kg
W01	80 m6	170	85	22 h9	M20	217
W02	90 m6	170	95	25 h9	M24	245,9
W03	100 m6	210	106	28 h9	M24	380,5
W04	110 m6	210	116	28 h9	M24	378,6
W05	120 m6	210	127	32 h9	M24	543
W06	130 m6	250	137	32 h9	M24	610
W07	140 m6	250	148	36 h9	M30	901
W08	160 m6	300	169	40 h9	M30	1,006
W09	170 m6	300	179	40 h9	M30	1,256
W10	170 m6	300	179	40 h9	M30	1,342
W11	180 m6	300	190	45 h9	M30	1,771
W12	190 m6	350	200	45 h9	M30	1,882
W13	210 m6	350	221	50 h9	M30	2,456
W14	230 m6	410	241	50 h9	M36	2,811
W15	230 m6	410	241	50 h9	M36	3,273
W16	240 m6	410	252	56 h9	M36	3,548

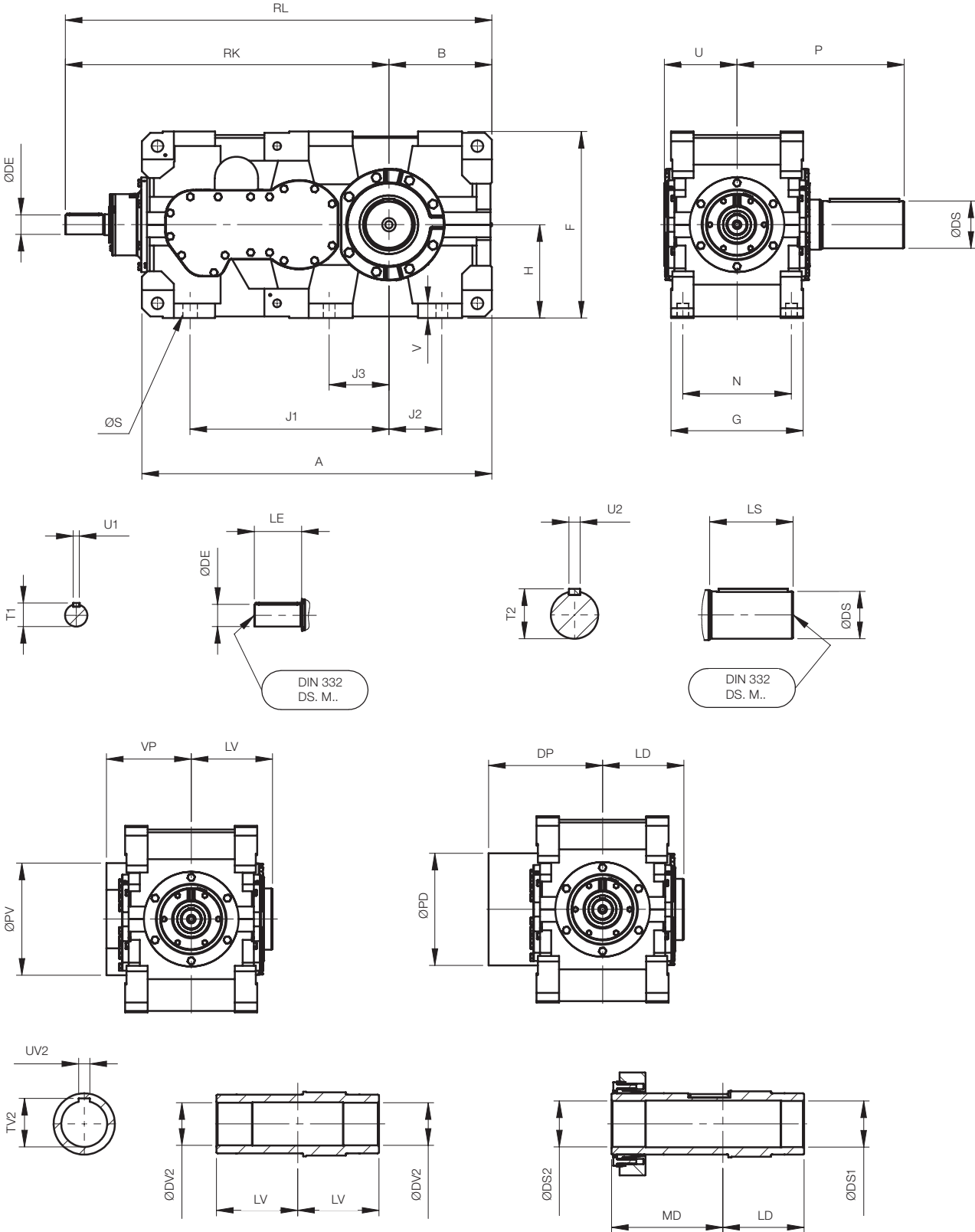
Hollow output shaft							
Size	ØDV2	LV	ØPV	TV2	UV2	VP	kg
W01	75 H8	173	182	79,9	20 JS9	181,25	204
W02	85 H8	176	210	90,4	22 JS9	181	226,7
W03	95 H8	190	224	100,4	25 JS9	197	351
W04	105 H8	194	232	111,4	28 JS9	201	342
W05	115 H8	222	305	122,4	32 JS9	265	494
W06	125 H8	224	320	132,4	32 JS9	265	546
W07	135 H8	256	350	143,4	36 JS9	305	814
W08	150 H8	256	380	158,4	36 JS9	305	928
W09	165 H8	292	400	174,4	40 JS9	345	1,134
W10	165 H8	292	400	174,4	40 JS9	345	1,217
W11	180 H8	319	460	190,4	45 JS9	370	1,584
W12	190 H8	319	460	200,4	45 JS9	370	1,692
W13	210 H8	352	520	221,4	50 JS9	400	2,253
W14	210 H8	352	560	221,4	50 JS9	400	2,418
W15	230 H8	400	560	241,4	50 JS9	460	2,848
W16	240 H8	400	600	252,4	56 JS9	460	3,103

Output shaft shrink disc							
Size	ØDS1	ØDS2	ØPD	LD	MD	DP	kg
W01	81 H9	80 H7	230	173	261	267,5	206
W02	91 H9	90 H7	240	176	264	272,25	227,6
W03	101 H9	100 H7	268	190	286	294,25	354
W04	111 H9	110 H7	280	194	296	304,75	344,3
W05	121 H9	120 H7	305	222	328	370	497
W06	131 H9	130 H7	320	224	336	375	551
W07	141 H9	140 H7	350	256	364	415	822
W08	151 H9	150 H7	380	256	364	415	939
W09	166 H9	165 H7	400	292	400	450	1,167
W10	166 H9	165 H7	400	292	400	450	1,251
W11	181 H9	180 H7	460	319	451	500	1,610
W12	191 H9	190 H7	460	319	451	500	1,719
W13	211 H9	210 H7	520	352	498	550	2,284
W14	211 H9	210 H7	560	352	498	550	2,449
W15	231 H9	230 H7	560	400	570	630	2,885
W16	241 H9	240 H7	600	400	570	630	3,137

Dimensions and weight

Horizontal mounting

Right angle shafts R 3 stages



Dimensions and weight

Horizontal mounting

Right angle shafts R 3 stages

Size	A	B	F	G	H	J1	J2	J3	N	P	ØS	U	V	RK	RL
W01	666	190	380	260	190	370	90	-	210	343	24	147	29	636	826
W02	725	215	380	260	190	390	115	-	210	346	24	147	29	670	885
W03	778	215	450	300	225	440	105	-	245	400	28	167	33	738	953
W04	852	250	450	300	225	475	140	-	245	404	28	167	33	777	1027
W05	913	250	530	360	265	520	110	-	290	432	35 (4x)	191	40	888	1138
W06	1004	295	530	360	265	565	155	-	290	475	35 (4x)	191	40	934	1229
W07	1140	355	630	425	315	620	185	-	340	506	42 (4x)	226	46	1000	1355
W08	1194	355	630	425	315	670	185	-	340	556	42 (4x)	226	46	1054	1409
W09	1253	370	670	475	335	720	190	215	390	592	42 (6x)	261	52	1158	1528
W10	1285	370	670	475	335	752	190	215	390	592	42 (6x)	261	52	1190	1560
W11	1412	420	750	515	375	795	205	230	420	612	48 (6x)	281	54	1327	1747
W12	1447	420	750	515	375	830	205	230	420	662	48 (6x)	281	54	1362	1782
W13	1597	465	850	570	425	925	250	280	440	702	48 (6x)	317	56	1497	1962
W14	1637	465	850	570	425	965	250	280	440	762	48 (6x)	317	56	1537	2002
W15	1711	495	900	630	450	1005	250	305	510	810	56 (6x)	357	62	1556	2051
W16	1751	495	900	630	450	1025	250	305	510	810	56 (6x)	357	62	1596	2091

Input shaft					
Size	ØDE	LE	T1	U1	DIN 332 DS. M..
W01	32 k6	80	35	10 h9	M12
W02	32 k6	80	35	10 h9	M12
W03	38 k6	80	41	10 h9	M12
W04	38 k6	80	41	10 h9	M12
W05	45 k6	110	48.5	14 h9	M16
W06	45 k6	110	48.5	14 h9	M16
W07	55 m6	110	59	16 h9	M20
W08	55 m6	110	59	16 h9	M20
W09	70 m6	140	74.5	20 h9	M20
W10	70 m6	140	74.5	20 h9	M20
W11	80 m6	170	85	22 h9	M20
W12	80 m6	170	85	22 h9	M20
W13	90 m6	170	95	25 h9	M24
W14	90 m6	170	95	25 h9	M24
W15	90 m6	170	95	25 h9	M24
W16	90 m6	170	95	25 h9	M24

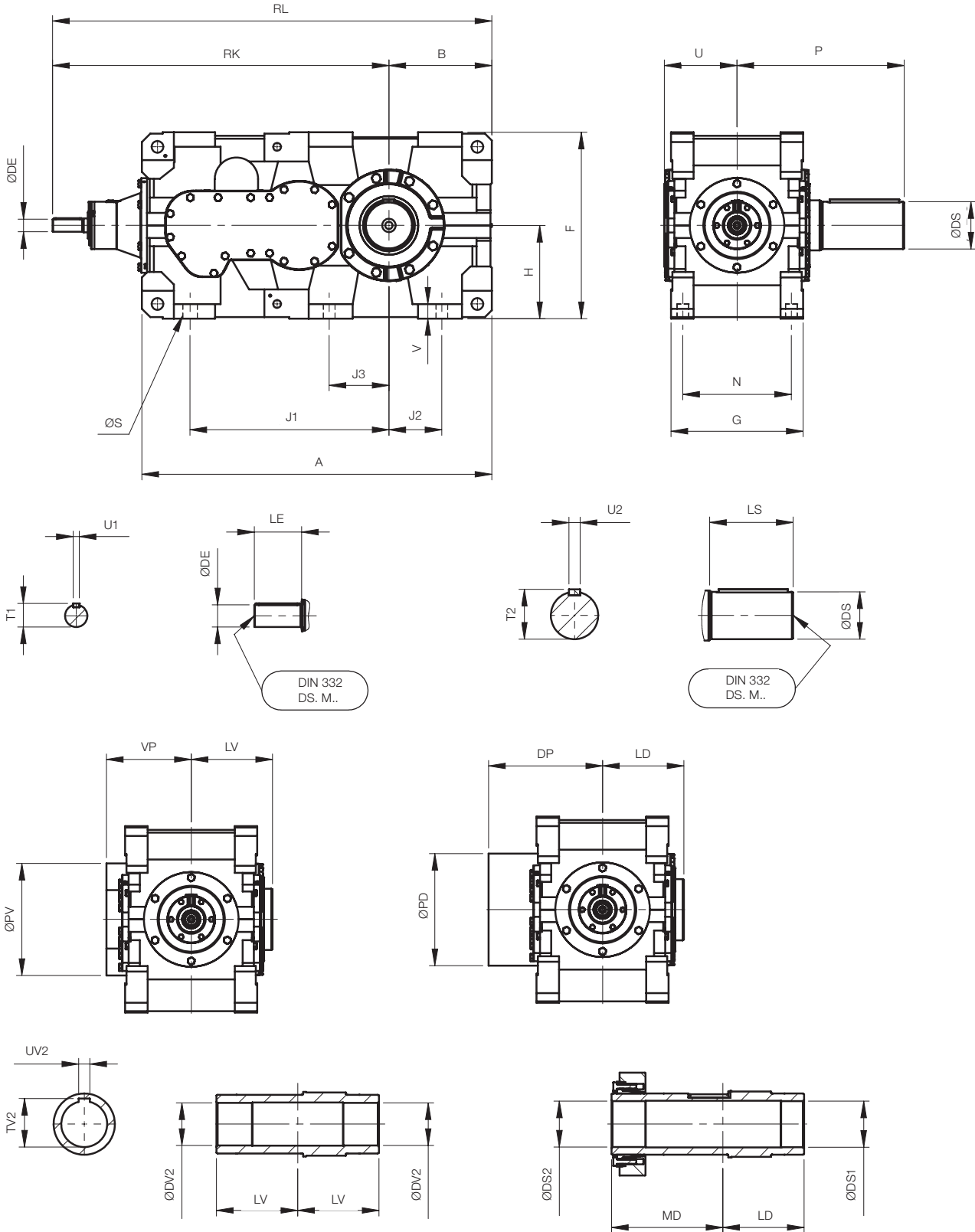
Solid output shaft						
Size	ØDS	LS	T2	U2	DIN 332 DS. M..	kg
W01	80 m6	170	85	22 h9	M20	224,2
W02	90 m6	170	95	25 h9	M24	252,3
W03	100 m6	210	106	28 h9	M24	346,1
W04	110 m6	210	116	28 h9	M24	391,9
W05	120 m6	210	127	32 h9	M24	538
W06	130 m6	250	137	32 h9	M24	612
W07	140 m6	250	148	36 h9	M30	927
W08	160 m6	300	169	40 h9	M30	1,036
W09	170 m6	300	179	40 h9	M30	1,323
W10	170 m6	300	179	40 h9	M30	1,403
W11	180 m6	300	190	45 h9	M30	1,884
W12	190 m6	350	200	45 h9	M30	1,995
W13	210 m6	350	221	50 h9	M30	2,534
W14	230 m6	410	241	50 h9	M36	2,911
W15	230 m6	410	241	50 h9	M36	3,336
W16	240 m6	410	252	56 h9	M36	3,600

Hollow output shaft							
Size	ØDV2	LV	ØPV	TV2	UV2	VP	kg
W01	75 H8	173	182	79,9	20 JS9	181,25	210,5
W02	85 H8	176	210	90,4	22 JS9	181	234,9
W03	95 H8	190	224	100,4	25 JS9	197	316,6
W04	105 H8	194	236	111,4	28 JS9	201	355,4
W05	115 H8	222	305	122,4	32 JS9	265	489
W06	125 H8	224	320	132,4	32 JS9	265	548
W07	135 H8	256	350	143,4	36 JS9	305	840
W08	150 H8	256	380	158,4	36 JS9	305	958
W09	165 H8	292	400	174,4	40 JS9	345	1,201
W10	165 H8	292	400	174,4	40 JS9	345	1,278
W11	180 H8	319	460	190,4	45 JS9	370	1,697
W12	190 H8	319	460	200,4	45 JS9	370	1,805
W13	210 H8	352	520	221,4	50 JS9	400	2,331
W14	210 H8	352	560	221,4	50 JS9	400	2,518
W15	230 H8	400	560	241,4	50 JS9	460	2,911
W16	240 H8	400	600	252,4	56 JS9	460	3,155

Output shaft shrink disc							
Size	ØDS1	ØDS2	ØPD	LD	MD	DP	kg
W01	81 H9	80 H7	230	173	261	267,5	212,7
W02	91 H9	90 H7	240	176	264	272,25	235,8
W03	101 H9	100 H7	268	190	286	294,25	319,6
W04	111 H9	110 H7	280	194	296	304,75	357,6
W05	121 H9	120 H7	305	222	328	370	492
W06	131 H9	130 H7	320	224	336	375	553
W07	141 H9	140 H7	350	256	364	415	848
W08	151 H9	150 H7	380	256	364	415	969
W09	166 H9	165 H7	400	292	400	450	1,234
W10	166 H9	165 H7	400	292	400	450	1,312
W11	181 H9	180 H7	460	319	451	500	1,723
W12	191 H9	190 H7	460	319	451	500	1,832
W13	211 H9	210 H7	520	352	498	550	2,362
W14	211 H9	210 H7	560	352	498	550	2,549
W15	231 H9	230 H7	560	400	570	630	2,948
W16	241 H9	240 H7	600	400	570	630	3,189

Dimensions and weight

Horizontal mounting Right angle shafts R 4 stages



Dimensions and weight

Horizontal mounting

Right angle shafts R 4 stages

Size	A	B	F	G	H	J1	J2	J3	N	P	ØS	U	V	RK	RL
W03	778	215	450	300	225	440	105	-	245	400	28 (4x)	167	33	732	947
W04	852	250	450	300	225	475	140	-	245	404	28 (4x)	167	33	771	1021
W05	913	250	530	360	265	520	110	-	290	432	35 (4x)	191	40	868	1118
W06	1004	295	530	360	265	565	155	-	290	475	35 (4x)	191	40	914	1209
W07	1140	355	630	425	315	620	185	-	340	506	42 (4x)	226	46	1012	1367
W08	1194	355	630	425	315	670	185	-	340	556	42 (4x)	226	46	1066	1421
W09	1253	370	670	475	335	720	190	215	390	592	42 (6x)	261	52	1204	1574
W10	1285	370	670	475	335	752	190	215	390	592	42 (6x)	261	52	1236	1606
W11	1412	420	750	515	375	795	205	230	420	612	48 (6x)	281	54	1343	1763
W12	1447	420	750	515	375	830	205	230	420	662	48 (6x)	281	54	1378	1798
W13	1597	465	850	570	425	925	250	280	440	702	48 (6x)	317	56	1543	2008
W14	1637	465	850	570	425	965	250	280	440	762	48 (6x)	317	56	1583	2048
W15	1711	495	900	630	450	1005	250	305	510	810	56 (6x)	357	62	1602	2097
W16	1751	495	900	630	450	1025	250	305	510	810	56 (6x)	357	62	1642	2137

Input shaft					
Size	ØDE	LE	T1	U1	DIN 332 DS. M..
W03	28 k6	60	31	8 h9	M10
W04	28 k6	60	31	8 h9	M10
W05	32 k6	80	35	10 h9	M12
W06	32 k6	80	35	10 h9	M12
W07	38 k6	80	41	10 h9	M12
W08	38 k6	80	41	10 h9	M12
W09	45 k6	110	48.5	14 h9	M16
W10	45 k6	110	48.5	14 h9	M16
W11	55 m6	110	59	16 h9	M20
W12	55 m6	110	59	16 h9	M20
W13	70 m6	140	74.5	20 h9	M20
W14	70 m6	140	74.5	20 h9	M20
W15	70 m6	140	74.5	20 h9	M20
W16	70 m6	140	74.5	20 h9	M20

Solid output shaft						
Size	ØDS	LS	T2	U2	DIN 332 DS. M..	kg
W03	100 m6	210	106	28 h9	M24	329,2
W04	110 m6	210	116	28 h9	M24	368,3
W05	120 m6	210	127	32 h9	M24	532
W06	130 m6	250	137	32 h9	M24	606
W07	140 m6	250	148	36 h9	M30	925
W08	160 m6	300	169	40 h9	M30	1,034
W09	170 m6	300	179	40 h9	M30	1,318
W10	170 m6	300	179	40 h9	M30	1,398
W11	180 m6	300	190	45 h9	M30	1,873
W12	190 m6	350	200	45 h9	M30	1,984
W13	210 m6	350	221	50 h9	M30	2,537
W14	230 m6	410	241	50 h9	M36	2,914
W15	230 m6	410	241	50 h9	M36	3,350
W16	240 m6	410	252	56 h9	M36	3,614

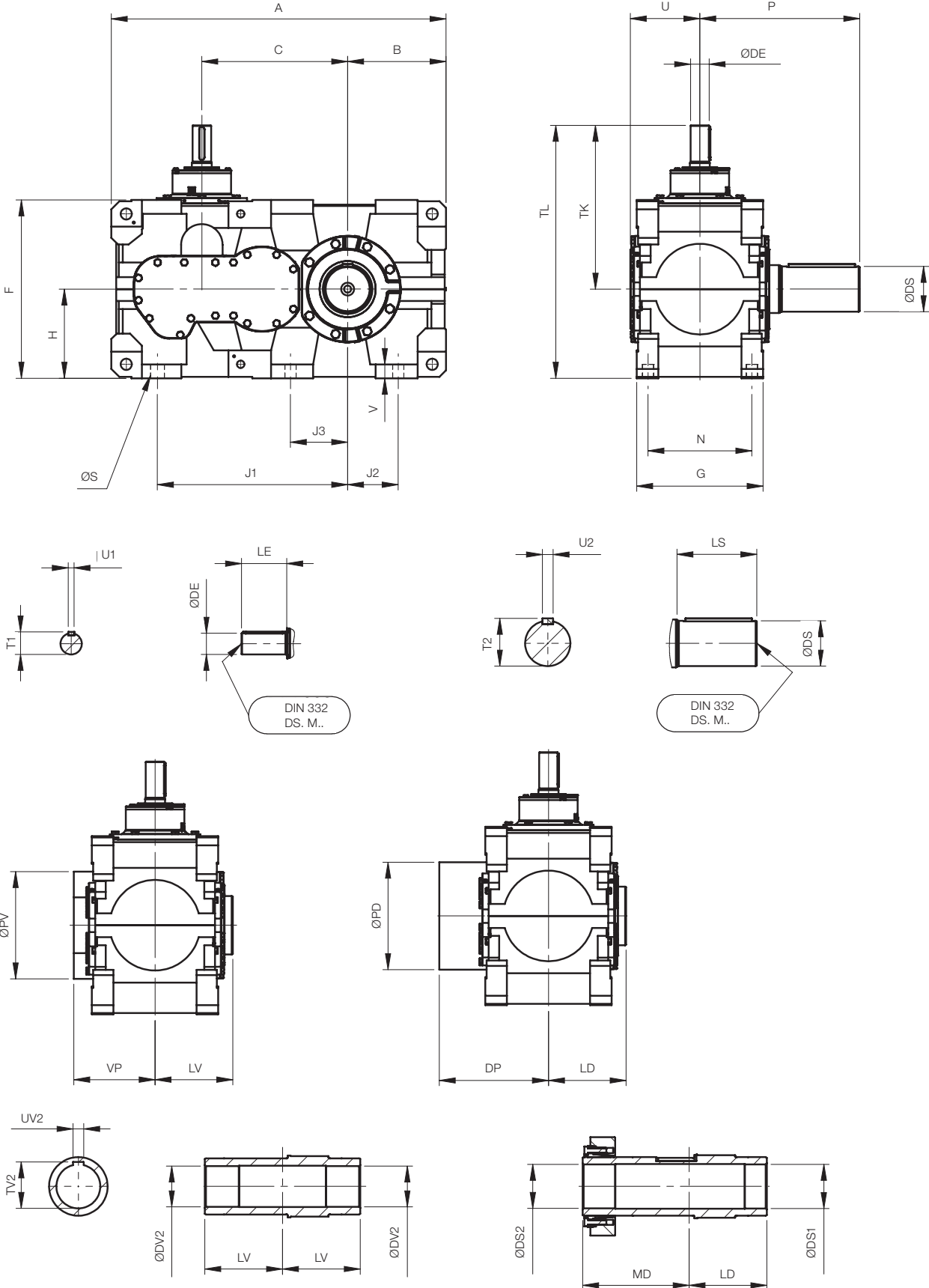
Hollow output shaft							
Size	ØDV2	LV	ØPV	TV2	UV2	VP	kg
W03	95 H8	190	224	100,4	25 JS9	197	299,7
W04	105 H8	194	236	111,4	28 JS9	201	331,7
W05	115 H8	222	305	122,4	32 JS9	265	483
W06	125 H8	224	320	132,4	32 JS9	265	542
W07	135 H8	256	350	143,4	36 JS9	305	838
W08	150 H8	256	380	158,4	36 JS9	305	956
W09	165 H8	292	400	174,4	40 JS9	345	1,196
W10	165 H8	292	400	174,4	40 JS9	345	1,273
W11	180 H8	319	460	190,4	45 JS9	370	1,686
W12	190 H8	319	460	200,4	45 JS9	370	1,794
W13	210 H8	352	520	221,4	50 JS9	400	2,334
W14	210 H8	352	560	221,4	50 JS9	400	2,521
W15	230 H8	400	560	241,4	50 JS9	460	2,925
W16	240 H8	400	600	252,4	56 JS9	460	3,169

Output shaft shrink disc							
Size	ØDS1	ØDS2	ØPD	LD	MD	DP	kg
W03	101 H9	100 H7	268	190	286	294,25	302,7
W04	111 H9	110 H7	280	194	296	304,75	334
W05	121 H9	120 H7	305	222	328	370	486
W06	131 H9	130 H7	320	224	336	375	547
W07	141 H9	140 H7	350	256	364	415	846
W08	151 H9	150 H7	380	256	364	415	967
W09	166 H9	165 H7	400	292	400	450	1,229
W10	166 H9	165 H7	400	292	400	450	1,307
W11	181 H9	180 H7	460	319	451	500	1,712
W12	191 H9	190 H7	460	319	451	500	1,821
W13	211 H9	210 H7	520	352	498	550	2,365
W14	211 H9	210 H7	560	352	498	550	2,552
W15	231 H9	230 H7	560	400	570	630	2,962
W16	241 H9	240 H7	600	400	570	630	3,203

Dimensions and weight

Horizontal mounting

Right angle shafts T 3 stages



Dimensions and weight

Horizontal mounting

Right angle shafts T 3 stages

Size	A	B	C	F	G	H	J1	J2	J3	N	P	ØS	U	V	TK	TL
W01	666	190	286	380	260	190	370	90	-	210	343	24	147	29	350	540
W02	725	215	320	380	260	190	390	115	-	210	346	24	147	29	350	540
W03	778	215	338	450	300	225	440	105	-	245	400	28	167	33	400	625
W04	852	250	377	450	300	225	475	140	-	245	404	28	167	33	400	625
W05	913	250	398	530	360	265	520	110	-	290	432	35 (4x)	191	40	490	755
W06	1004	295	444	530	360	265	565	155	-	290	475	35 (4x)	191	40	490	755
W07	1140	355	470	630	425	315	620	185	-	340	506	42 (4x)	226	46	530	845
W08	1194	355	524	630	425	315	670	185	-	340	556	42 (4x)	226	46	530	845
W09	1253	370	548	670	475	335	720	190	215	390	592	42 (6x)	261	52	610	945
W10	1285	370	580	670	475	335	752	190	215	390	592	42 (6x)	261	52	610	945
W11	1412	420	617	750	515	375	795	205	230	420	612	48 (6x)	281	54	710	1085
W12	1447	420	652	750	515	375	830	205	230	420	662	48 (6x)	281	54	710	1085
W13	1597	465	707	850	570	425	925	250	280	440	702	48 (6x)	317	56	790	1215
W14	1637	465	747	850	570	425	965	250	280	440	762	48 (6x)	317	56	790	1215
W15	1711	495	766	900	630	450	1005	250	305	510	810	56 (6x)	357	62	790	1240
W16	1751	495	806	900	630	450	1025	250	305	510	810	56 (6x)	357	62	790	1240

Input shaft					
Size	ØDE	LE	T1	U1	DIN 332 DS. M..
W01	32 k6	80	35	10 h9	M12
W02	32 k6	80	35	10 h9	M12
W03	38 k6	80	41	10 h9	M12
W04	38 k6	80	41	10 h9	M12
W05	45 k6	110	48.5	14 h9	M16
W06	45 k6	110	48.5	14 h9	M16
W07	55 m6	110	59	16 h9	M20
W08	55 m6	110	59	16 h9	M20
W09	70 m6	140	74.5	20 h9	M20
W10	70 m6	140	74.5	20 h9	M20
W11	80 m6	170	85	22 h9	M20
W12	80 m6	170	85	22 h9	M20
W13	90 m6	170	95	25 h9	M24
W14	90 m6	170	95	25 h9	M24
W15	90 m6	170	95	25 h9	M24
W16	90 m6	170	95	25 h9	M24

Solid output shaft						
Size	ØDS	LS	T2	U2	DIN 332 DS. M..	kg
W01	80 m6	170	85	22 h9	M20	224,8
W02	90 m6	170	95	25 h9	M24	254,5
W03	100 m6	210	106	28 h9	M24	350,8
W04	110 m6	210	116	28 h9	M24	390,9
W05	120 m6	210	127	32 h9	M24	538
W06	130 m6	250	137	32 h9	M24	612
W07	140 m6	250	148	36 h9	M30	927
W08	160 m6	300	169	40 h9	M30	1,036
W09	170 m6	300	179	40 h9	M30	1,323
W10	170 m6	300	179	40 h9	M30	1,403
W11	180 m6	300	190	45 h9	M30	1,884
W12	190 m6	350	200	45 h9	M30	1,995
W13	210 m6	350	221	50 h9	M30	2,534
W14	230 m6	410	241	50 h9	M36	2,911
W15	230 m6	410	241	50 h9	M36	3,336
W16	240 m6	410	252	56 h9	M36	3,600

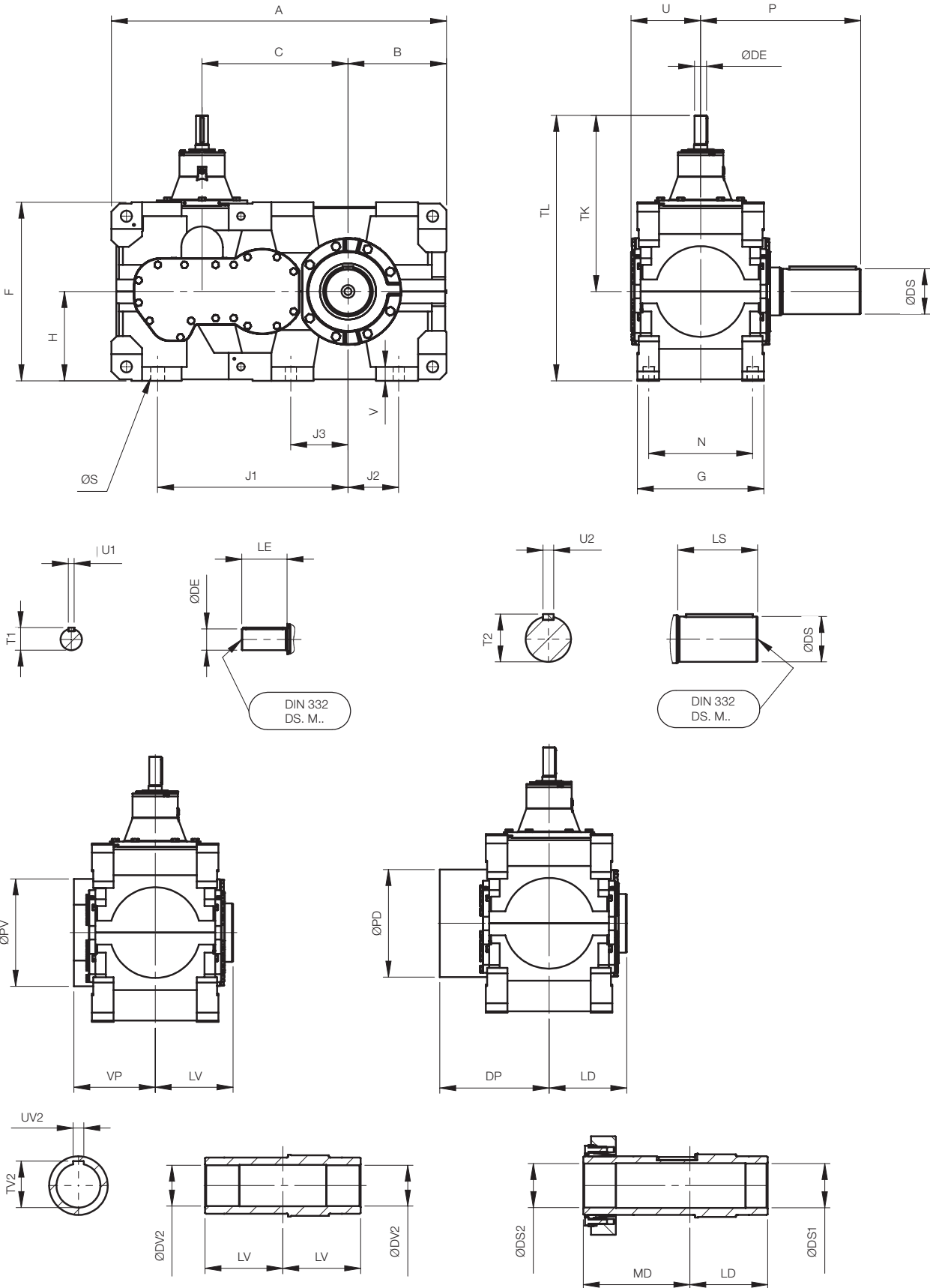
Hollow output shaft							
Size	ØDV2	LV	ØPV	TV2	UV2	VP	kg
W01	75 H8	173	182	79,9	20 JS9	181,25	211
W02	85 H8	176	210	90,4	22 JS9	181	235,3
W03	95 H8	190	224	100,4	25 JS9	197	318,6
W04	105 H8	194	236	111,4	28 JS9	201	354,3
W05	115 H8	222	305	122,4	32 JS9	265	489
W06	125 H8	224	320	132,4	32 JS9	265	548
W07	135 H8	256	350	143,4	36 JS9	305	840
W08	150 H8	256	380	158,4	36 JS9	305	958
W09	165 H8	292	400	174,4	40 JS9	345	1,201
W10	165 H8	292	400	174,4	40 JS9	345	1,278
W11	180 H8	319	460	190,4	45 JS9	370	1,697
W12	190 H8	319	460	200,4	45 JS9	370	1,805
W13	210 H8	352	520	221,4	50 JS9	400	2,331
W14	210 H8	352	560	221,4	50 JS9	400	2,518
W15	230 H8	400	560	241,4	50 JS9	460	2,911
W16	240 H8	400	600	252,4	56 JS9	460	3,155

Output shaft shrink disc							
Size	ØDS1	ØDS2	ØPD	LD	MD	DP	kg
W01	81 H9	80 H7	230	173	261	267,5	213,2
W02	91 H9	90 H7	240	176	264	272,25	236,2
W03	101 H9	100 H7	268	190	286	294,25	321,7
W04	111 H9	110 H7	280	194	296	304,75	356,6
W05	121 H9	120 H7	305	222	328	370	492
W06	131 H9	130 H7	320	224	336	375	553
W07	141 H9	140 H7	350	256	364	415	848
W08	151 H9	150 H7	380	256	364	415	969
W09	166 H9	165 H7	400	292	400	450	1,234
W10	166 H9	165 H7	400	292	400	450	1,312
W11	181 H9	180 H7	460	319	451	500	1,723
W12	191 H9	190 H7	460	319	451	500	1,832
W13	211 H9	210 H7	520	352	498	550	2,362
W14	211 H9	210 H7	560	352	498	550	2,549
W15	231 H9	230 H7	560	400	570	630	2,948
W16	241 H9	240 H7	600	400	570	630	3,189

Dimensions and weight

Horizontal mounting

Right angle shafts T 4 stages



Dimensions and weight

Horizontal mounting

Right angle shafts T 4 stages

Size	A	B	C	F	G	H	J1	J2	J3	N	P	ØS	U	V	TK	TL
W03	778	215	338	450	300	225	440	105	-	245	400	28 (4x)	167	33	397	622
W04	852	250	377	450	300	225	475	140	-	245	404	28 (4x)	167	33	394	619
W05	913	250	398	530	360	265	520	110	-	290	432	35 (4x)	191	40	470	735
W06	1004	295	444	530	360	265	565	155	-	290	475	35 (4x)	191	40	470	735
W07	1140	355	470	630	425	315	620	185	-	340	506	42 (4x)	226	46	542	857
W08	1194	355	524	630	425	315	670	185	-	340	556	42 (4x)	226	46	542	857
W09	1253	370	548	670	475	335	720	190	215	390	592	42 (6x)	261	52	656	991
W10	1285	370	580	670	475	335	752	190	215	390	592	42 (6x)	261	52	656	991
W11	1412	420	617	750	515	375	795	205	230	420	612	48 (6x)	281	54	726	1101
W12	1447	420	652	750	515	375	830	205	230	420	662	48 (6x)	281	54	726	1101
W13	1597	465	707	850	570	425	925	250	280	440	702	48 (6x)	317	56	836	1261
W14	1637	465	747	850	570	425	965	250	280	440	762	48 (6x)	317	56	836	1261
W15	1711	495	766	900	630	450	1005	250	305	510	810	56 (6x)	357	62	836	1286
W16	1751	495	806	900	630	450	1025	250	305	510	810	56 (6x)	357	62	836	1286

Input shaft					
Size	ØDE	LE	T1	U1	DIN 332 DS. M..
W03	28 k6	60	31	8 h9	M10
W04	28 k6	60	31	8 h9	M10
W05	32 k6	80	35	10 h9	M12
W06	32 k6	80	35	10 h9	M12
W07	38 k6	80	41	10 h9	M12
W08	38 k6	80	41	10 h9	M12
W09	45 k6	110	48.5	14 h9	M16
W10	45 k6	110	48.5	14 h9	M16
W11	55 m6	110	59	16 h9	M20
W12	55 m6	110	59	16 h9	M20
W13	70 m6	140	74.5	20 h9	M20
W14	70 m6	140	74.5	20 h9	M20
W15	70 m6	140	74.5	20 h9	M20
W16	70 m6	140	74.5	20 h9	M20

Solid output shaft						
Size	ØDS	LS	T2	U2	DIN 332 DS. M..	kg
W03	100 m6	210	106	28 h9	M24	343,2
W04	110 m6	210	116	28 h9	M24	369,1
W05	120 m6	210	127	32 h9	M24	532
W06	130 m6	250	137	32 h9	M24	606
W07	140 m6	250	148	36 h9	M30	925
W08	160 m6	300	169	40 h9	M30	1,034
W09	170 m6	300	179	40 h9	M30	1,318
W10	170 m6	300	179	40 h9	M30	1,398
W11	180 m6	300	190	45 h9	M30	1,873
W12	190 m6	350	200	45 h9	M30	1,984
W13	210 m6	350	221	50 h9	M30	2,537
W14	230 m6	410	241	50 h9	M36	2,914
W15	230 m6	410	241	50 h9	M36	3,350
W16	240 m6	410	252	56 h9	M36	3,614

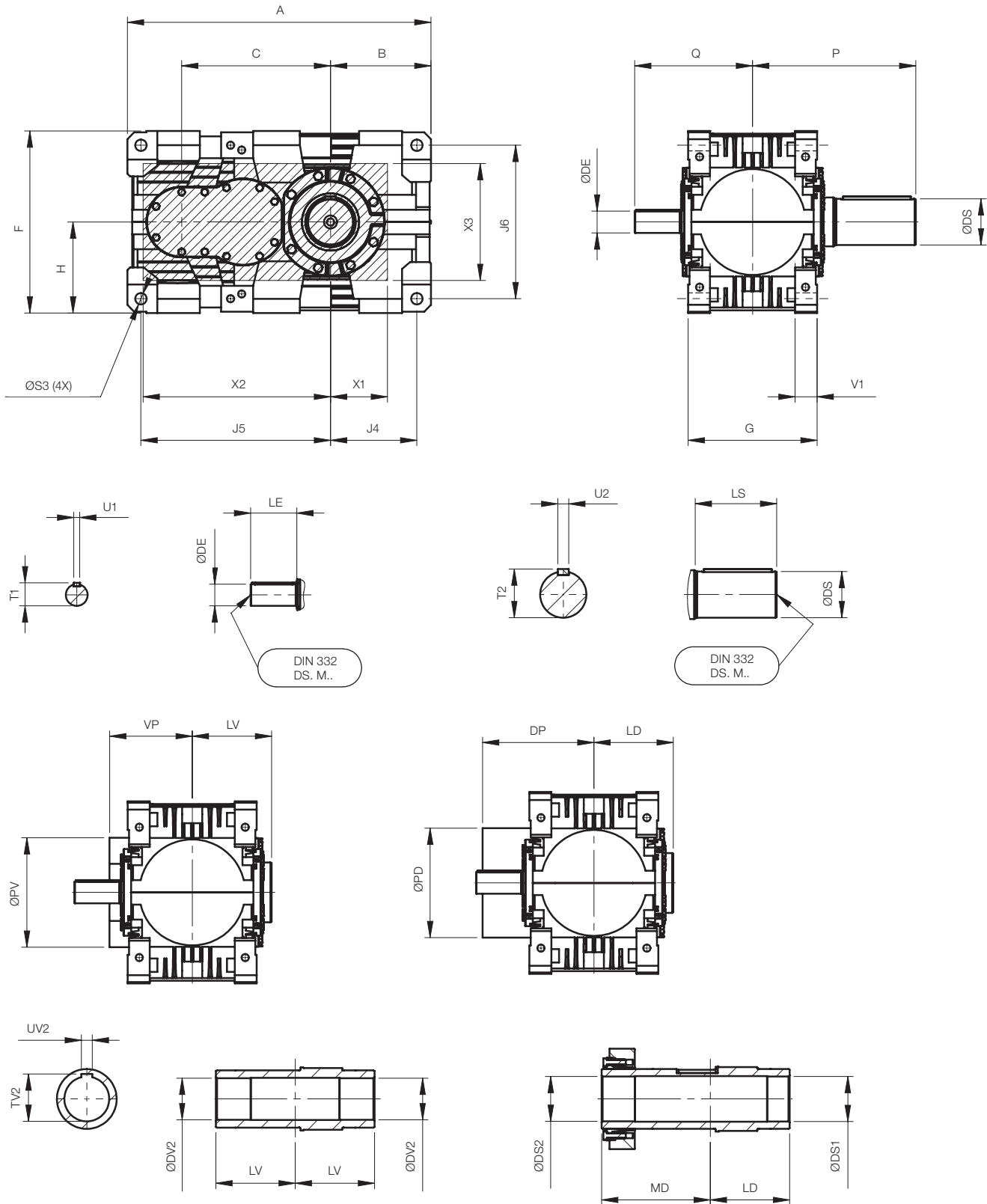
Hollow output shaft							
Size	ØDV2	LV	ØPV	TV2	UV2	VP	kg
W03	95 H8	190	224	100,4	25 JS9	197	313,7
W04	105 H8	194	236	111,4	28 JS9	201	334,3
W05	115 H8	222	305	122,4	32 JS9	265	483
W06	125 H8	224	320	132,4	32 JS9	265	542
W07	135 H8	256	350	143,4	36 JS9	305	838
W08	150 H8	256	380	158,4	36 JS9	305	956
W09	165 H8	292	400	174,4	40 JS9	345	1,196
W10	165 H8	292	400	174,4	40 JS9	345	1,273
W11	180 H8	319	460	190,4	45 JS9	370	1,686
W12	190 H8	319	460	200,4	45 JS9	370	1,794
W13	210 H8	352	520	221,4	50 JS9	400	2,334
W14	210 H8	352	560	221,4	50 JS9	400	2,521
W15	230 H8	400	560	241,4	50 JS9	460	2,925
W16	240 H8	400	600	252,4	56 JS9	460	3,169

Output shaft shrink disc							
Size	ØDS1	ØDS2	ØPD	LD	MD	DP	kg
W03	101 H9	100 H7	268	190	286	294,25	316,7
W04	111 H9	110 H7	280	194	296	304,75	336,6
W05	121 H9	120 H7	305	222	328	370	486
W06	131 H9	130 H7	320	224	336	375	547
W07	141 H9	140 H7	350	256	364	415	846
W08	151 H9	150 H7	380	256	364	415	967
W09	166 H9	165 H7	400	292	400	450	1,229
W10	166 H9	165 H7	400	292	400	450	1,307
W11	181 H9	180 H7	460	319	451	500	1,712
W12	191 H9	190 H7	460	319	451	500	1,821
W13	211 H9	210 H7	520	352	498	550	2,365
W14	211 H9	210 H7	560	352	498	550	2,552
W15	231 H9	230 H7	560	400	570	630	2,962
W16	241 H9	240 H7	600	400	570	630	3,203

Dimensions and weight

Vertical mounting

Parallel shafts 2 stages



The dimensions of the hatched area X1, X2 and X3 are suggestions for the design of the gearbox mounting base.

Dimensions and weight

Vertical mounting

Parallel shafts 2 stages

Size	A	B	C	F	G	H	J4	J5	J6	P	Q	ØS3 (4x)	V1	X1	X2	X3
W01	606	190	286	380	260	190	160	386	315	343	265	24	47	125	365	240
W02	665	215	320	380	260	190	185	420	315	346	265	24	47	130	400	260
W03	693	215	338	450	300	225	184	447	380	400	285	28	53	145	430	300
W04	767	250	377	450	300	225	219	486	380	404	285	28	53	150	470	300
W05	808	250	398	530	360	265	210	518	445	432	345	35	67	165	500	330
W06	899	295	444	530	360	265	255	819	445	475	345	35	67	170	550	340
W07	1015	355	470	630	425	315	303	612	525	506	380	42	81	190	590	370
W08	1069	355	524	630	425	315	303	666	525	556	380	42	81	200	640	400
W09	1118	370	548	670	475	335	318	698	565	592	440	42	81	210	690	430
W10	1150	370	580	670	475	335	318	730	565	592	440	42	81	210	720	430
W11	1260	420	617	750	515	375	360	780	630	612	460	48	91	240	770	480
W12	1295	420	652	750	515	375	360	815	630	662	460	48	91	240	810	480
W13	1422	465	707	850	570	425	403	897	725	702	535	48	105	270	880	540
W14	1463	465	748	850	570	425	403	938	725	762	535	48	105	290	930	580
W15	1531	495	766	900	630	450	425	966	760	810	575	56	105	290	960	580
W16	1571	495	806	900	630	450	425	1006	760	810	575	56	105	310	1000	620

Input shaft					
Size	ØDE	LE	T1	U1	DIN 332 DS. M..
W01	40 m6	110	43	12 h9	M16
W02	40 m6	110	43	12 h9	M16
W03	50 m6	110	46,5	14 h9	M16
W04	50 m6	110	46,5	14 h9	M16
W05	60 m6	140	64	18 h9	M20
W06	60 m6	140	64	18 h9	M20
W07	70 m6	140	74.5	20 h9	M20
W08	70 m6	140	74.5	20 h9	M20
W09	80 m6	170	85	22 h9	M20
W10	80 m6	170	85	22 h9	M20
W11	95 m6	170	100	25 h9	M24
W12	95 m6	170	100	25 h9	M24
W13	105 m6	210	111	28 h9	M24
W14	105 m6	210	111	28 h9	M24
W15	115 m6	210	122	32 h9	M24
W16	115 m6	210	122	32 h9	M24

Solid output shaft						
Size	ØDS	LS	T2	U2	DIN 332 DS. M..	kg
W01	80 m6	170	85	22 h9	M20	198
W02	90 m6	170	95	25 h9	M24	226,3
W03	100 m6	210	95,5	28 h9	M24	360
W04	110 m6	210	105,5	28 h9	M24	356
W05	120 m6	210	127	32 h9	M24	485
W06	130 m6	250	137	32 h9	M24	552
W07	140 m6	250	148	36 h9	M30	840
W08	160 m6	300	169	40 h9	M30	945
W09	170 m6	300	179	40 h9	M30	1,161
W10	170 m6	300	179	40 h9	M30	1,247
W11	180 m6	300	190	45 h9	M30	1,656
W12	190 m6	350	200	45 h9	M30	1,767
W13	210 m6	350	221	50 h9	M30	2,267
W14	230 m6	410	241	50 h9	M36	2,622
W15	230 m6	410	241	50 h9	M36	3,051
W16	240 m6	410	252	56 h9	M36	3,326

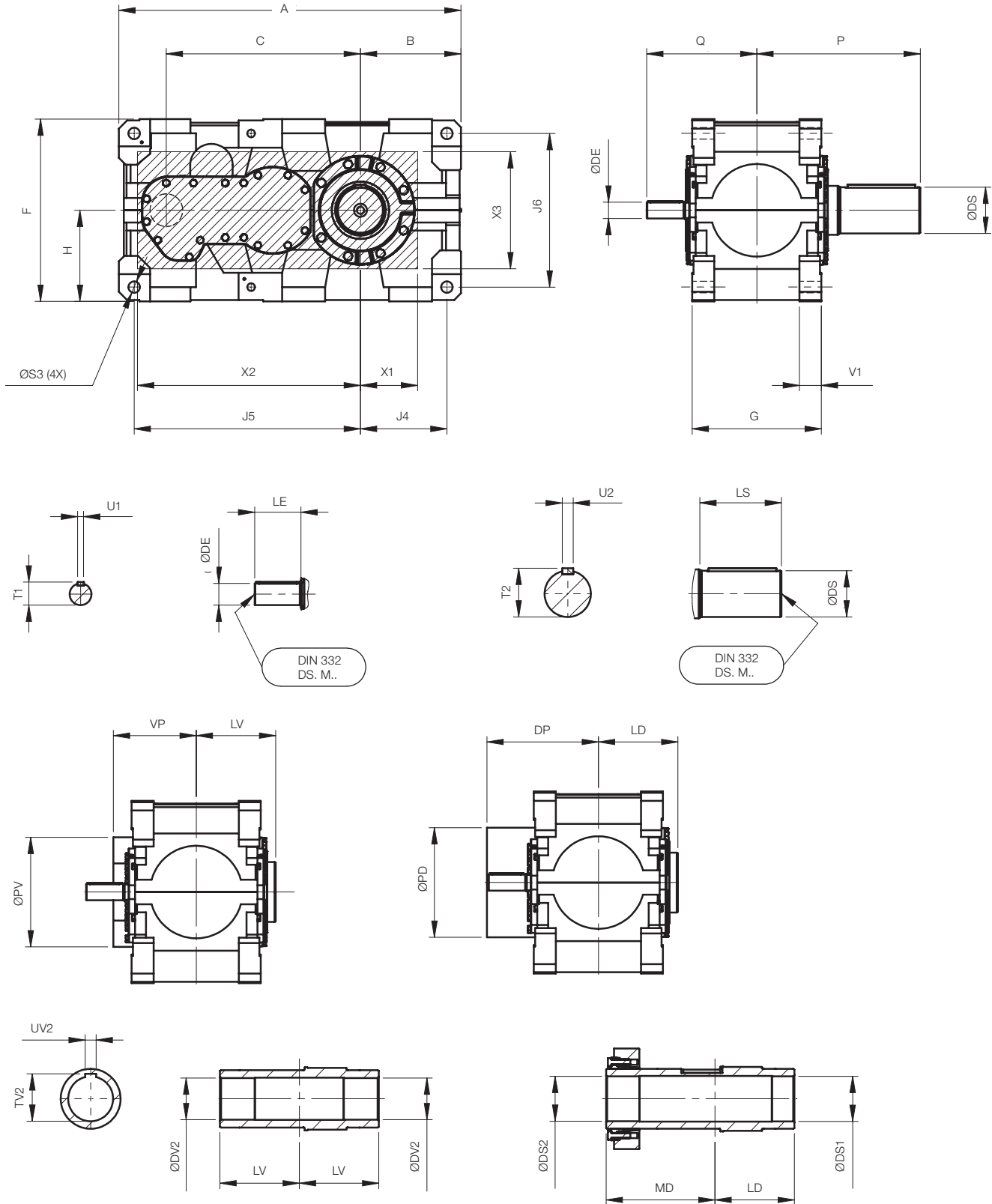
Hollow output shaft							
Size	ØDV2	LV	ØPV	TV2	UV2	VP	kg
W01	75 H8	173	182	79,9	20 JS9	181,25	184
W02	85 H8	176	210	90,4	22 JS9	181	207,1
W03	95 H8	190	224	100,4	25 JS9	197	330
W04	105 H8	194	236	111,4	28 JS9	201	320
W05	115 H8	222	305	122,4	32 JS9	265	436
W06	125 H8	224	320	132,4	32 JS9	265	488
W07	135 H8	256	350	143,4	36 JS9	305	753
W08	150 H8	256	380	158,4	36 JS9	305	867
W09	165 H8	292	400	174,4	40 JS9	345	1,039
W10	165 H8	292	400	174,4	40 JS9	345	1,122
W11	180 H8	319	460	190,4	45 JS9	370	1,469
W12	190 H8	319	460	200,4	45 JS9	370	1,577
W13	210 H8	352	520	221,4	50 JS9	400	2,064
W14	210 H8	352	560	221,4	50 JS9	400	2,229
W15	230 H8	400	560	241,4	50 JS9	460	2,626
W16	240 H8	400	600	252,4	56 JS9	460	2,881

Output shaft shrink disc							
Size	ØDS1	ØDS2	ØPD	LD	MD	DP	kg
W01	81 H9	80 H7	230	173	261	267,5	186
W02	91 H9	90 H7	240	176	264	272,25	208
W03	101 H9	100 H7	268	190	286	294,25	333,5
W04	111 H9	110 H7	280	194	296	304,75	322
W05	121 H9	120 H7	305	222	328	370	439
W06	131 H9	130 H7	320	224	336	375	493
W07	141 H9	140 H7	350	256	364	415	761
W08	151 H9	150 H7	380	256	364	415	878
W09	166 H9	165 H7	400	292	400	450	1,072
W10	166 H9	165 H7	400	292	400	450	1,156
W11	181 H9	180 H7	460	319	451	500	1,495
W12	191 H9	190 H7	460	319	451	500	1,604
W13	211 H9	210 H7	520	352	498	550	2,095
W14	211 H9	210 H7	560	352	498	550	2,260
W15	231 H9	230 H7	560	400	570	630	2,663
W16	241 H9	240 H7	600	400	570	630	2,915

Dimensions and weight

Vertical mounting

Parallel shafts 3 stages



The dimensions of the hatched area X1, X2 and X3 are suggestions for the design of the gearbox mounting base.

Dimensions and weight

Vertical mounting

Parallel shafts 3 stages

Size	A	B	C	F	G	H	J4	J5	J6	P	Q	ØS3 (4x)	V1	X1	X2	X3
W01	666	190	376	380	260	190	160	446	315	343	235	24	47	120	445	240
W02	725	215	510	380	260	190	185	480	315	346	235	24	47	130	480	260
W03	778	215	452	450	300	255	184	532	380	400	255	28	53	150	510	315
W04	852	250	491	450	300	255	219	571	380	404	255	28	53	155	555	320
W05	918	250	518	530	360	265	210	623	445	432	315	35	67	165	595	330
W06	1009	295	564	530	360	265	255	669	445	475	315	35	67	170	640	340
W07	1145	355	612	630	425	315	303	737	525	506	350	42	81	190	700	370
W08	1199	355	666	630	425	315	303	791	525	556	350	42	81	200	760	400
W09	1258	370	714	670	475	335	318	832	565	592	405	42	81	210	820	430
W10	1290	370	746	670	475	335	318	864	565	592	405	42	81	210	850	430
W11	1417	420	813	750	515	375	360	934	630	612	425	48	91	240	920	480
W12	1452	420	848	750	515	375	360	969	630	662	425	48	91	240	960	480
W13	1604	465	933	850	570	425	403	1072	725	702	455	48	105	270	1060	540
W14	1644	465	973	850	570	425	403	1111	725	762	455	48	105	290	1100	580
W15	1718	495	992	900	630	450	425	1146	760	810	485	56	105	290	1120	580
W16	1758	495	1032	900	630	450	425	1186	760	810	485	56	105	310	1160	620

Input shaft					
Size	ØDE	LE	T1	U1	DIN 332 DS. M..
W01	32 k6	80	34,8	10 h9	M12
W02	32 k6	80	34,8	10 h9	M12
W03	38 k6	80	41	10 h9	M12
W04	38 k6	80	41	10 h9	M12
W05	45 k6	110	48.5	14 h9	M16
W06	45 k6	110	48.5	14 h9	M16
W07	50 k6	110	53.5	14 h9	M16
W08	50 k6	110	53.5	14 h9	M16
W09	60 m6	140	64	18 h9	M20
W10	60 m6	140	64	18 h9	M20
W11	65 m6	140	69	18 h9	M20
W12	65 m6	140	69	18 h9	M20
W13	75 m6	140	79.5	20 h9	M20
W14	75 m6	140	79.5	20 h9	M20
W15	75 m6	140	79.5	20 h9	M20
W16	75 m6	140	79.5	20 h9	M20

Solid output shaft						
Size	ØDS	LS	T2	U2	DIN 332 DS. M..	kg
W01	80 m6	170	85	22 h9	M20	215,7
W02	90 m6	170	95	25 h9	M24	245,9
W03	100 m6	210	106	28 h9	M24	334
W04	110 m6	210	116	28 h9	M24	398,9
W05	120 m6	210	127	32 h9	M24	517
W06	130 m6	250	137	32 h9	M24	585
W07	140 m6	250	148	36 h9	M30	891
W08	160 m6	300	169	40 h9	M30	1,000
W09	170 m6	300	179	40 h9	M30	1,275
W10	170 m6	300	179	40 h9	M30	1,355
W11	180 m6	300	190	45 h9	M30	1,825
W12	190 m6	350	200	45 h9	M30	1,936
W13	210 m6	350	221	50 h9	M30	2,451
W14	230 m6	410	241	50 h9	M36	2,828
W15	230 m6	410	241	50 h9	M36	3,300
W16	240 m6	410	252	56 h9	M36	3,565

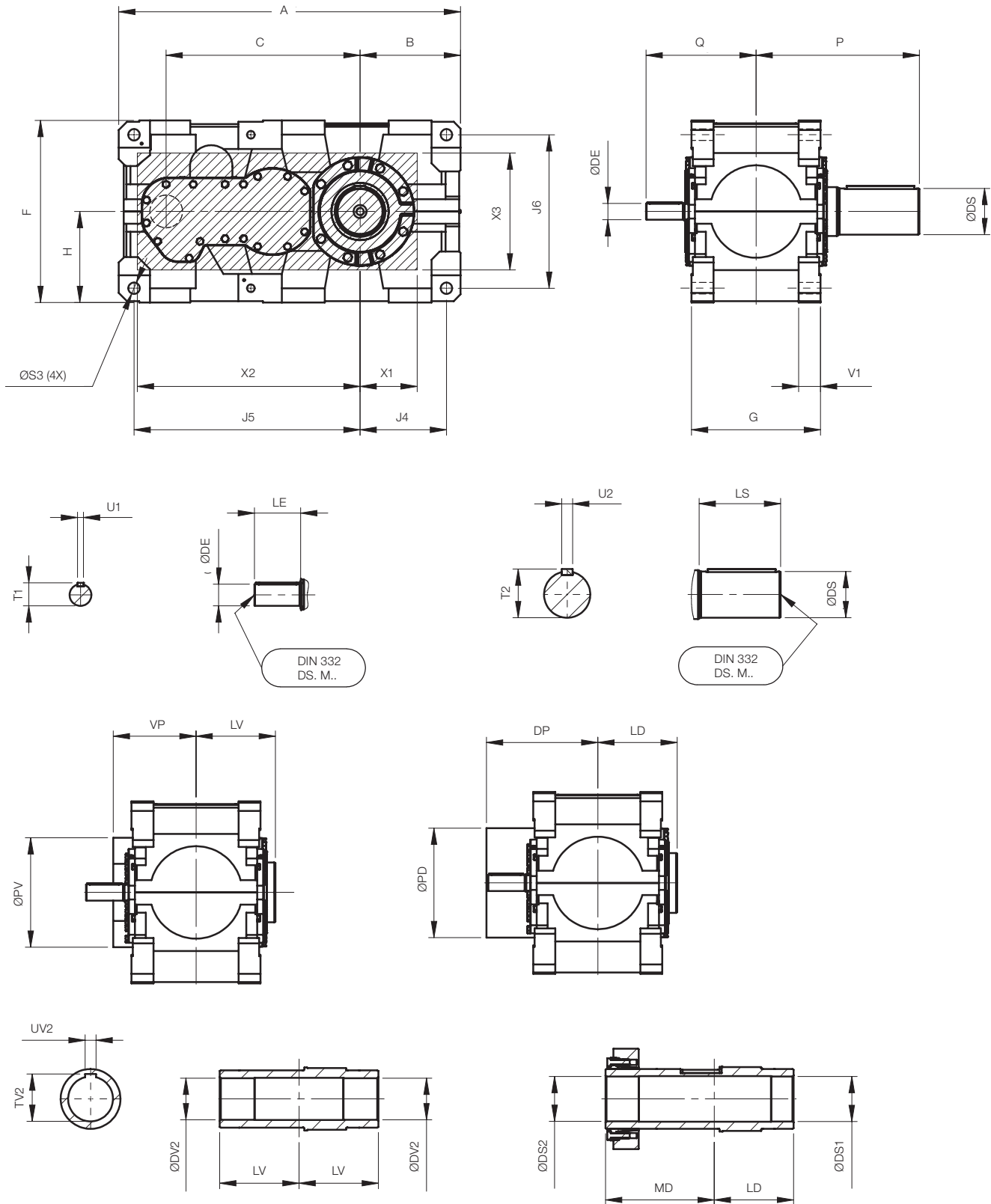
Hollow output shaft							
Size	ØDV2	LV	ØPV	TV2	UV2	VP	kg
W01	75 H8	173	182	79,9	20 JS9	181,25	202
W02	85 H8	176	210	90,4	22 JS9	181	226,7
W03	95 H8	190	224	100,4	25 JS9	197	304,7
W04	105 H8	194	236	111,4	28 JS9	201	341,7
W05	115 H8	222	305	122,4	32 JS9	265	468
W06	125 H8	224	320	132,4	32 JS9	265	527
W07	135 H8	256	350	143,4	36 JS9	305	810
W08	150 H8	256	380	158,4	36 JS9	305	928
W09	165 H8	292	400	174,4	40 JS9	345	1,153
W10	165 H8	292	400	174,4	40 JS9	345	1,230
W11	180 H8	319	460	190,4	45 JS9	370	1,618
W12	190 H8	319	460	200,4	45 JS9	370	1,726
W13	210 H8	352	520	221,4	50 JS9	400	2,224
W14	210 H8	352	560	221,4	50 JS9	400	2,411
W15	230 H8	400	560	241,4	50 JS9	460	2,827
W16	240 H8	400	600	252,4	56 JS9	460	3,072

Output shaft shrink disc							
Size	ØDS1	ØDS2	ØPD	LD	MD	DP	kg
W01	81 H9	80 H7	230	173	261	267,5	204,1
W02	91 H9	90 H7	240	176	264	272,25	227,6
W03	101 H9	100 H7	268	190	286	294,25	307,8
W04	111 H9	110 H7	280	194	296	304,75	344
W05	121 H9	120 H7	305	222	328	370	471
W06	131 H9	130 H7	320	224	336	375	532
W07	141 H9	140 H7	350	256	364	415	818
W08	151 H9	150 H7	380	256	364	415	939
W09	166 H9	165 H7	400	292	400	450	1,186
W10	166 H9	165 H7	400	292	400	450	1,264
W11	181 H9	180 H7	460	319	451	500	1,644
W12	191 H9	190 H7	460	319	451	500	1,753
W13	211 H9	210 H7	520	352	498	550	2,255
W14	211 H9	210 H7	560	352	498	550	2,442
W15	231 H9	230 H7	560	400	570	630	2,864
W16	241 H9	240 H7	600	400	570	630	3,106

Dimensions and weight

Vertical mounting

Parallel shafts 4 stages



The dimensions of the hatched area X1, X2 and X3 are suggestions for the design of the gearbox mounting base.

Dimensions and weight

Vertical mounting

Parallel shafts 4 stages

Size	A	B	C	F	G	H	J4	J5	J6	P	Q	ØS3 (4x)	V1	X1	X2	X3
W03	778	215	452	450	300	255	184	532	380	400	235	28	53	155	515	315
W04	852	250	491	450	300	225	219	571	380	404	235	28	53	150	550	310
W05	918	250	518	530	360	265	210	623	445	432	285	35	67	165	595	330
W06	1009	295	564	530	360	265	255	669	445	475	285	35	67	170	640	340
W07	1145	355	612	630	425	315	303	737	525	506	320	42	81	190	700	370
W08	1199	355	666	630	425	315	303	791	525	556	320	42	81	200	760	400
W09	1258	370	714	670	475	335	318	832	565	592	375	42	81	210	820	430
W10	1290	370	746	670	475	335	318	864	565	592	375	42	81	210	850	430
W11	1417	420	813	750	515	375	360	934	630	612	395	48	91	240	920	480
W12	1452	420	848	750	515	375	360	969	630	662	395	48	91	240	960	480
W13	1604	465	933	850	570	425	403	1072	725	702	425	48	105	270	1060	540
W14	1644	465	973	850	570	425	403	1111	725	762	425	48	105	290	1100	580
W15	1718	495	992	900	630	450	425	1146	760	810	485	56	105	290	1120	580
W16	1758	495	1032	900	630	450	425	1186	760	810	485	56	105	310	1160	620

Input shaft					
Size	ØDE	LE	T1	U1	DIN 332 DS. M..
W03	25 k6	60	28	8 h9	M10
W04	25 k6	60	28	8 h9	M10
W05	30 k6	80	33	8 h9	M10
W06	30 k6	80	33	8 h9	M10
W07	35 k6	80	38	10 h9	M12
W08	35 k6	80	38	10 h9	M12
W09	40 k6	110	43	12 h9	M16
W10	40 k6	110	43	12 h9	M16
W11	45 k6	110	48.5	14 h9	M16
W12	45 k6	110	48.5	14 h9	M16
W13	55 m6	110	59	16 h9	M20
W14	55 m6	110	59	16 h9	M20
W15	60 m6	140	64	18 h9	M20
W16	60 m6	140	64	18 h9	M20

Solid output shaft						
Size	ØDS	LS	T2	U2	DIN 332 DS. M..	kg
W03	100 m6	210	106	28 h9	M24	339,5
W04	110 m6	210	116	28 h9	M24	381,6
W05	120 m6	210	127	32 h9	M24	520
W06	130 m6	250	137	32 h9	M24	594
W07	140 m6	250	148	36 h9	M30	906
W08	160 m6	300	169	40 h9	M30	1,015
W09	170 m6	300	179	40 h9	M30	1,288
W10	170 m6	300	179	40 h9	M30	1,368
W11	180 m6	300	190	45 h9	M30	1,827
W12	190 m6	350	200	45 h9	M30	1,938
W13	210 m6	350	221	50 h9	M30	2,471
W14	230 m6	410	241	50 h9	M36	2,848
W15	230 m6	410	241	50 h9	M36	3,293
W16	240 m6	410	252	56 h9	M36	3,558

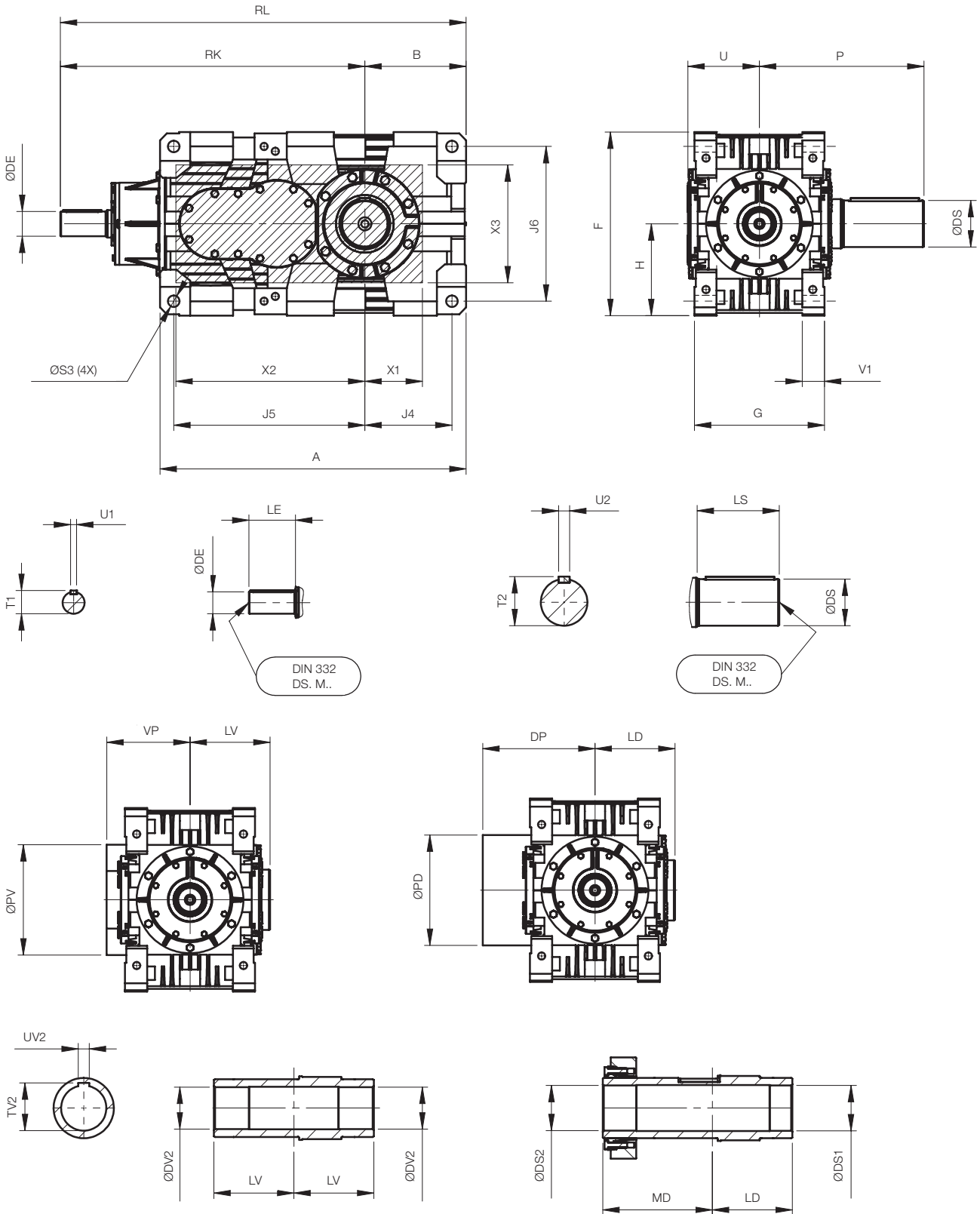
Hollow output shaft							
Size	ØDV2	LV	ØPV	TV2	UV2	VP	kg
W03	95 H8	190	224	100,4	25 JS9	197	310
W04	105 H8	194	236	111,4	28 JS9	201	345,1
W05	115 H8	222	305	122,4	32 JS9	265	471
W06	125 H8	224	320	132,4	32 JS9	265	530
W07	135 H8	256	350	143,4	36 JS9	305	819
W08	150 H8	256	380	158,4	36 JS9	305	937
W09	165 H8	292	400	174,4	40 JS9	345	1,166
W10	165 H8	292	400	174,4	40 JS9	345	1,243
W11	180 H8	319	460	190,4	45 JS9	370	1,640
W12	190 H8	319	460	200,4	45 JS9	370	1,748
W13	210 H8	352	520	221,4	50 JS9	400	2,268
W14	210 H8	352	560	221,4	50 JS9	400	2,455
W15	230 H8	400	560	241,4	50 JS9	460	2,868
W16	240 H8	400	600	252,4	56 JS9	460	3,113

Output shaft shrink disc							
Size	ØDS1	ØDS2	ØPD	LD	MD	DP	kg
W03	101 H9	100 H7	268	190	286	294,25	313
W04	111 H9	110 H7	280	194	296	304,75	347,3
W05	121 H9	120 H7	305	222	328	370	474
W06	131 H9	130 H7	320	224	336	375	535
W07	141 H9	140 H7	350	256	364	415	827
W08	151 H9	150 H7	380	256	364	415	948
W09	166 H9	165 H7	400	292	400	450	1,199
W10	166 H9	165 H7	400	292	400	450	1,277
W11	181 H9	180 H7	460	319	451	500	1,666
W12	191 H9	190 H7	460	319	451	500	1,775
W13	211 H9	210 H7	520	352	498	550	2,299
W14	211 H9	210 H7	560	352	498	550	2,486
W15	231 H9	230 H7	560	400	570	630	2,905
W16	241 H9	240 H7	600	400	570	630	3,147

Dimensions and weight

Vertical mounting

Right angle shafts R 2 stages



The dimensions of the hatched area X1, X2 and X3 are suggestions for the design of the gearbox mounting base.

Dimensions and weight

Vertical mounting

Right angle shafts R 2 stages

Size	A	B	F	G	H	J4	J5	J6	P	ØS3 (4x)	U	V1	X1	X2	X3	RK	RL
W01	606	190	380	260	190	160	386	315	343	24	147	47	125	365	250	656	846
W02	665	215	380	260	190	185	420	315	346	24	147	47	130	400	260	690	905
W03	693	215	450	300	225	184	447	380	400	28	167	53	145	435	305	726	941
W04	767	250	450	300	225	219	486	380	404	28	167	53	160	470	310	765	1015
W05	808	250	530	360	265	210	518	445	432	35	191	67	165	500	330	842	1092
W06	899	295	530	360	265	255	819	445	475	35	191	67	170	550	340	888	1183
W07	1015	355	630	425	315	303	612	525	506	42	226	81	190	590	370	984	1339
W08	1069	355	630	425	315	303	666	525	556	42	226	81	200	640	400	1038	1393
W09	1118	370	670	475	335	318	698	565	592	42	261	81	210	690	430	1102	1472
W10	1150	370	670	475	335	318	730	565	592	42	261	81	210	720	430	1134	1504
W11	1260	420	750	515	375	360	780	630	612	48	281	91	240	770	480	1275	1695
W12	1295	420	750	515	375	360	815	630	662	48	281	91	240	810	480	1310	1730
W13	1422	465	850	570	425	403	897	725	702	48	317	105	270	880	540	1405	1870
W14	1463	465	850	570	425	403	938	725	762	48	317	105	290	930	580	1446	1911
W15	1531	495	900	630	450	425	966	760	810	56	357	105	290	960	580	1570	2065
W16	1571	495	900	630	450	425	1006	760	810	56	357	105	310	1000	620	1610	2105

Input shaft					
Size	ØDE	LE	T1	U1	DIN 332 DS. M..
W01	45 m6	110	48,5	14 h9	M16
W02	45 m6	110	48,5	14 h9	M16
W03	55 m6	110	59	16 h9	M20
W04	55 m6	110	59	16 h9	M20
W05	70 m6	140	74.5	20 h9	M20
W06	70 m6	140	74.5	20 h9	M20
W07	80 m6	170	85	22 h9	M20
W08	80 m6	170	85	22 h9	M20
W09	90 m6	170	95	25 h9	M24
W10	90 m6	170	95	25 h9	M24
W11	100 m6	210	106	28 h9	M24
W12	100 m6	210	106	28 h9	M24
W13	120 m6	210	131	32 h9	M24
W14	120 m6	210	131	32 h9	M24
W15	130 m6	250	141	32 h9	M24
W16	130 m6	250	141	32 h9	M24

Solid output shaft						
Size	ØDE	LS	T2	U2	DIN 332 DS. M..	kg
W01	80 m6	170	85	22 h9	M20	217,5
W02	90 m6	170	95	25 h9	M24	245,9
W03	100 m6	210	106	28 h9	M24	383
W04	110 m6	210	116	28 h9	M24	378,6
W05	120 m6	210	127	32 h9	M24	520
W06	130 m6	250	137	32 h9	M24	594
W07	140 m6	250	148	36 h9	M30	906
W08	160 m6	300	169	40 h9	M30	1,015
W09	170 m6	300	179	40 h9	M30	1,288
W10	170 m6	300	179	40 h9	M30	1,368
W11	180 m6	300	190	45 h9	M30	1,827
W12	190 m6	350	200	45 h9	M30	1,938
W13	210 m6	350	221	50 h9	M30	2,471
W14	230 m6	410	241	50 h9	M36	2,848
W15	230 m6	410	241	50 h9	M36	3,293
W16	240 m6	410	252	56 h9	M36	3,558

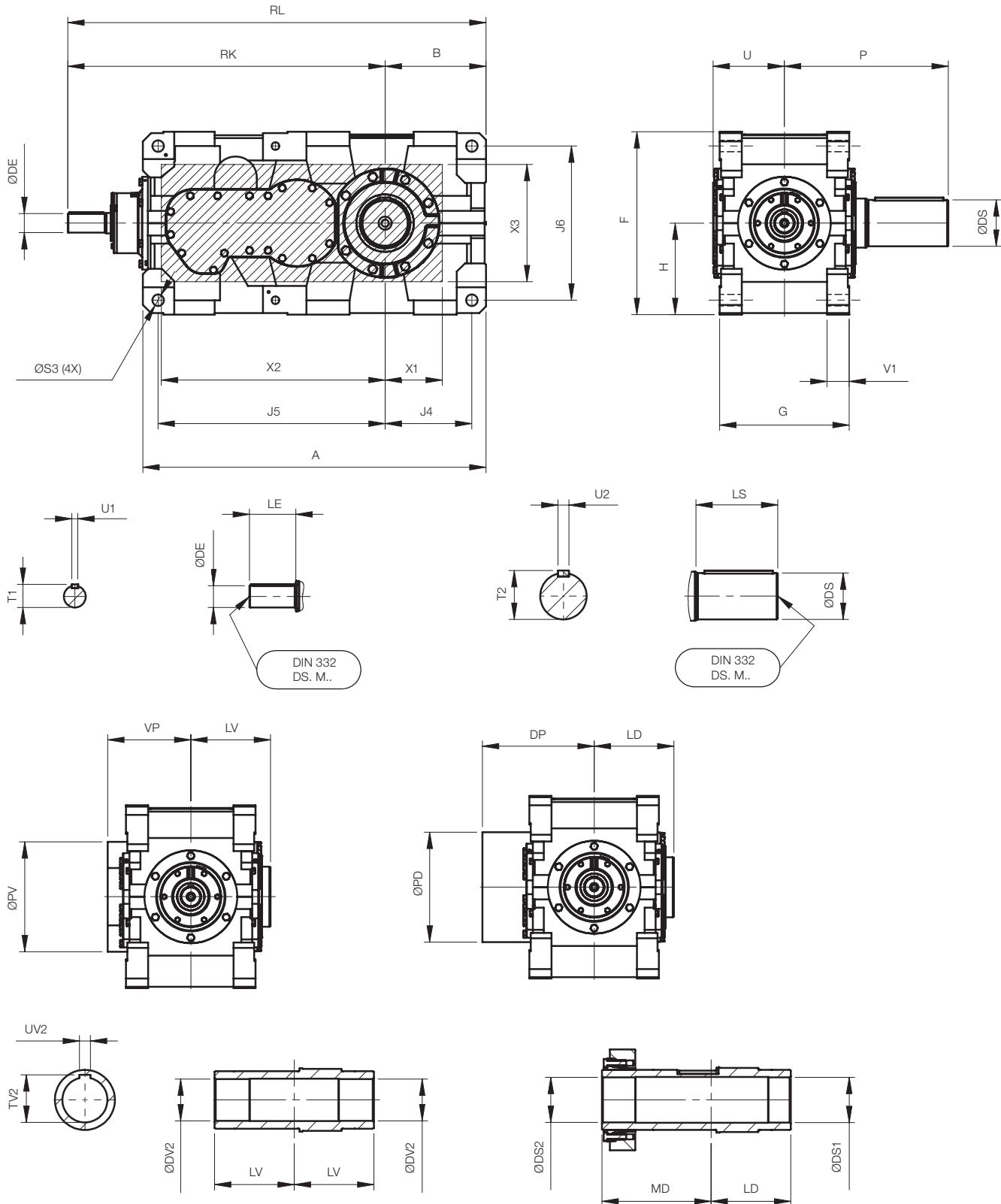
Hollow output shaft							
Size	ØDV2	LV	ØPV	TV2	UV2	VP	kg
W01	75 H8	173	182	79,9	20 JS9	181,25	203,7
W02	85 H8	176	210	90,4	22 JS9	181	226,7
W03	95 H8	190	224	100,4	25 JS9	197	353,4
W04	105 H8	194	236	111,4	28 JS9	201	342
W05	115 H8	222	305	122.4	32 JS9	265	494
W06	125 H8	224	320	132.4	32 JS9	265	546
W07	135 H8	256	350	143.4	36 JS9	305	814
W08	150 H8	256	380	158.4	36 JS9	305	928
W09	165 H8	292	400	174.4	40 JS9	345	1,134
W10	165 H8	292	400	174.4	40 JS9	345	1,217
W11	180 H8	319	460	190.4	45 JS9	370	1,584
W12	190 H8	319	460	200.4	45 JS9	370	1,692
W13	210 H8	352	520	221.4	50 JS9	400	2,253
W14	210 H8	352	560	221.4	50 JS9	400	2,418
W15	230 H8	400	560	241.4	50 JS9	460	2,848
W16	240 H8	400	600	252.4	56 JS9	460	3,103

Output shaft shrink disc							
Size	ØDS1	ØDS2	ØPD	LD	MD	DP	kg
W01	81 H9	80 H7	230	173	261	267,5	206
W02	91 H9	90 H7	240	176	264	272,25	227,6
W03	101 H9	100 H7	268	190	286	294,25	356,5
W04	111 H9	110 H7	280	194	296	304,75	345,3
W05	121 H9	120 H7	305	222	328	370	497
W06	131 H9	130 H7	320	224	336	375	551
W07	141 H9	140 H7	350	256	364	415	822
W08	151 H9	150 H7	380	256	364	415	939
W09	166 H9	165 H7	400	292	400	450	1,167
W10	166 H9	165 H7	400	292	400	450	1,251
W11	181 H9	180 H7	460	319	451	500	1,610
W12	191 H9	190 H7	460	319	451	500	1,719
W13	211 H9	210 H7	520	352	498	550	2,284
W14	211 H9	210 H7	560	352	498	550	2,449
W15	231 H9	230 H7	560	400	570	630	2,885
W16	241 H9	240 H7	600	400	570	630	3,137

Dimensions and weight

Vertical mounting

Right angle shafts R 3 stages



The dimensions of the hatched area X1, X2 and X3 are suggestions for the design of the gearbox mounting base.

Dimensions and weight

Vertical mounting

Right angle shafts R 3 stages

Size	A	B	F	G	H	J4	J5	J6	P	ØS3 (4x)	U	V1	X1	X2	X3	RK	RL
W01	666	190	380	260	190	160	370	315	343	24	147	47	120	445	240	636	826
W02	725	215	380	260	190	185	480	315	346	24	147	47	130	480	260	670	885
W03	778	215	450	300	225	184	532	380	400	28	167	53	150	510	300	738	953
W04	852	250	450	300	225	219	571	380	404	28	167	53	155	555	310	777	1027
W05	913	250	530	360	265	210	623	445	432	35	191	67	165	595	330	888	1138
W06	1004	295	530	360	265	255	669	445	475	35	191	67	170	640	340	934	1229
W07	1140	355	630	425	315	303	737	525	506	42	226	81	190	700	370	1000	1355
W08	1194	355	630	425	315	303	791	525	556	42	226	81	200	760	400	1054	1409
W09	1253	370	670	475	335	318	832	565	592	42	261	81	210	820	430	1158	1528
W10	1285	370	670	475	335	318	864	565	592	42	261	81	210	850	430	1190	1560
W11	1412	420	750	515	375	360	934	630	612	48	281	91	240	920	480	1327	1747
W12	1447	420	750	515	375	360	969	630	662	48	281	91	240	960	480	1362	1782
W13	1597	465	850	570	425	403	1072	725	702	48	317	105	270	1060	540	1497	1962
W14	1637	465	850	570	425	403	1111	725	762	48	317	105	290	1100	580	1537	2002
W15	1711	495	900	630	450	425	1146	760	810	56	357	105	290	1120	580	1556	2051
W16	1751	495	900	630	450	425	1186	760	810	56	357	105	310	1160	620	1596	2091

Size	Input shaft				DIN 332 DS. M..
	ØDE	LE	T1	U1	
W01	32 k6	80	35	10 h9	M12
W02	32 k6	80	35	10 h9	M12
W03	38 k6	80	41	10 h9	M12
W04	38 k6	80	41	10 h9	M12
W05	45 k6	110	48.5	14 h9	M16
W06	45 k6	110	48.5	14 h9	M16
W07	55 m6	110	59	16 h9	M20
W08	55 m6	110	59	16 h9	M20
W09	70 m6	140	74.5	20 h9	M20
W10	70 m6	140	74.5	20 h9	M20
W11	80 m6	170	85	22 h9	M20
W12	80 m6	170	85	22 h9	M20
W13	90 m6	170	95	25 h9	M24
W14	90 m6	170	95	25 h9	M24
W15	90 m6	170	95	25 h9	M24
W16	90 m6	170	95	25 h9	M24

Size	Solid output shaft					kg
	ØDS	LS	T2	U2	DIN 332 DS. M..	
W01	80 m6	170	85	22 h9	M20	224,2
W02	90 m6	170	95	25 h9	M24	254,1
W03	100 m6	210	106	28 h9	M24	351,8
W04	110 m6	210	116	28 h9	M24	395,6
W05	120 m6	210	127	32 h9	M24	538
W06	130 m6	250	137	32 h9	M24	612
W07	140 m6	250	148	36 h9	M30	927
W08	160 m6	300	169	40 h9	M30	1,036
W09	170 m6	300	179	40 h9	M30	1,323
W10	170 m6	300	179	40 h9	M30	1,403
W11	180 m6	300	190	45 h9	M30	1,884
W12	190 m6	350	200	45 h9	M30	1,995
W13	210 m6	350	221	50 h9	M30	2,534
W14	230 m6	410	241	50 h9	M36	2,911
W15	230 m6	410	241	50 h9	M36	3,336
W16	240 m6	410	252	56 h9	M36	3,600

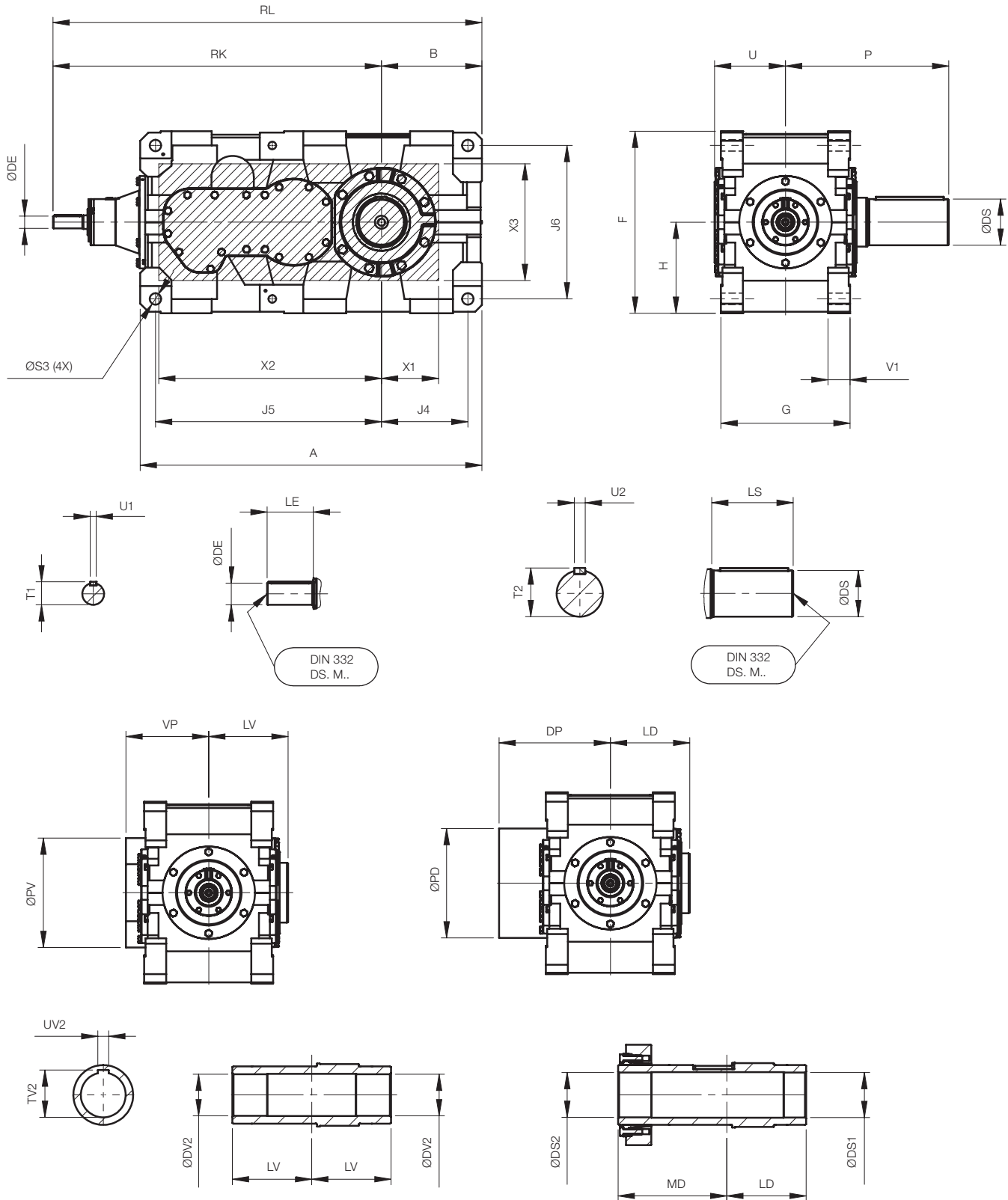
Size	Hollow output shaft						kg
	ØDV2	LV	ØPV	TV2	UV2	VP	
W01	75 H8	173	182	79,9	20 JS9	181,25	210,5
W02	85 H8	176	210	90,4	22 JS9	181	234,9
W03	95 H8	190	224	100,4	25 JS9	197	319,6
W04	105 H8	194	236	111,4	28 JS9	201	359,1
W05	115 H8	222	305	122,4	32 JS9	265	489
W06	125 H8	224	320	132,4	32 JS9	265	548
W07	135 H8	256	350	143,4	36 JS9	305	840
W08	150 H8	256	380	158,4	36 JS9	305	958
W09	165 H8	292	400	174,4	40 JS9	345	1,201
W10	165 H8	292	400	174,4	40 JS9	345	1,278
W11	180 H8	319	460	190,4	45 JS9	370	1,697
W12	190 H8	319	460	200,4	45 JS9	370	1,805
W13	210 H8	352	520	221,4	50 JS9	400	2,331
W14	210 H8	352	560	221,4	50 JS9	400	2,518
W15	230 H8	400	560	241,4	50 JS9	460	2,911
W16	240 H8	400	600	252,4	56 JS9	460	3,155

Size	Output shaft shrink disc							kg
	ØDS1	ØDS2	ØPD	LD	MD	DP		
W01	81 H9	80 H7	230	173	261	267,5	215	
W02	91 H9	90 H7	240	176	264	272,25	235,8	
W03	101 H9	100 H7	268	190	286	294,25	322,6	
W04	111 H9	110 H9	280	194	296	304,75	361,3	
W05	121 H9	120 H7	305	222	328	370	492	
W06	131 H9	130 H7	320	224	336	375	553	
W07	141 H9	140 H7	350	256	364	415	848	
W08	151 H9	150 H7	380	256	364	415	969	
W09	166 H9	165 H7	400	292	400	450	1,234	
W10	166 H9	165 H7	400	292	400	450	1,312	
W11	181 H9	180 H7	460	319	451	500	1,723	
W12	191 H9	190 H7	460	319	451	500	1,832	
W13	211 H9	210 H7	520	352	498	550	2,362	
W14	211 H9	210 H7	560	352	498	550	2,549	
W15	231 H9	230 H7	560	400	570	630	2,948	
W16	241 H9	240 H7	600	400	570	630	3,189	

Dimensions and weight

Vertical mounting

Right angle shafts R 4 stages



The dimensions of the hatched area X1, X2 and X3 are suggestions for the design of the gearbox mounting base.

Dimensions and weight

Vertical mounting

Right angle shafts R 4 stages

Size	A	B	F	G	H	J4	J5	J6	P	ØS3 (4x)	U	V1	X1	X2	X3	RK	RL
W03	778	215	450	300	225	184	532	380	400	28	167	53	155	515	300	732	947
W04	852	250	450	300	225	219	475	380	404	28	167	53	150	550	310	771	1021
W05	913	250	530	360	265	210	623	445	432	35	191	67	165	595	330	868	1118
W06	1004	295	530	360	265	255	669	445	475	35	191	67	170	640	340	914	1209
W07	1140	355	630	425	315	303	737	525	506	42	226	81	190	700	370	1012	1367
W08	1194	355	630	425	315	303	791	525	556	42	226	81	200	760	400	1066	1421
W09	1253	370	670	475	335	318	832	565	592	42	261	81	210	820	430	1204	1574
W10	1285	370	670	475	335	318	864	565	592	42	261	81	210	850	430	1236	1606
W11	1412	420	750	515	375	360	934	630	612	48	281	91	240	920	480	1343	1763
W12	1447	420	750	515	375	360	969	630	662	48	281	91	240	960	480	1378	1798
W13	1597	465	850	570	425	403	1072	725	702	48	317	105	270	1060	540	1543	2008
W14	1637	465	850	570	425	403	1111	725	762	48	317	105	290	1100	580	1583	2048
W15	1711	495	900	630	450	425	1146	760	810	56	357	105	290	1120	580	1602	2097
W16	1751	495	900	630	450	425	1186	760	810	56	357	105	310	1160	620	1642	2137

Size	Input shaft				DIN 332 DS. M..
	ØDE	LE	T1	U1	
W03	28 k6	60	31	8 h9	M10
W04	28 k6	60	31	8 h9	M10
W05	32 k6	80	35	10 h9	M12
W06	32 k6	80	35	10 h9	M12
W07	38 k6	80	41	10 h9	M12
W08	38 k6	80	41	10 h9	M12
W09	45 k6	110	48.5	14 h9	M16
W10	45 k6	110	48.5	14 h9	M16
W11	55 m6	110	59	16 h9	M20
W12	55 m6	110	59	16 h9	M20
W13	70 m6	140	74.5	20 h9	M20
W14	70 m6	140	74.5	20 h9	M20
W15	70 m6	140	74.5	20 h9	M20
W16	70 m6	140	74.5	20 h9	M20

Size	Solid output shaft					kg
	ØDS	LS	T2	U2	DIN 332 DS. M..	
W03	100 m6	210	106	28 h9	M24	333,6
W04	110 m6	210	116	28 h9	M24	371,1
W05	120 m6	210	127	32 h9	M24	532
W06	130 m6	250	137	32 h9	M24	606
W07	140 m6	250	148	36 h9	M30	925
W08	160 m6	300	169	40 h9	M30	1,034
W09	170 m6	300	179	40 h9	M30	1,318
W10	170 m6	300	179	40 h9	M30	1,398
W11	180 m6	300	190	45 h9	M30	1,873
W12	190 m6	350	200	45 h9	M30	1,984
W13	210 m6	350	221	50 h9	M30	2,537
W14	230 m6	410	241	50 h9	M36	2,914
W15	230 m6	410	241	50 h9	M36	3,350
W16	240 m6	410	252	56 h9	M36	3,614

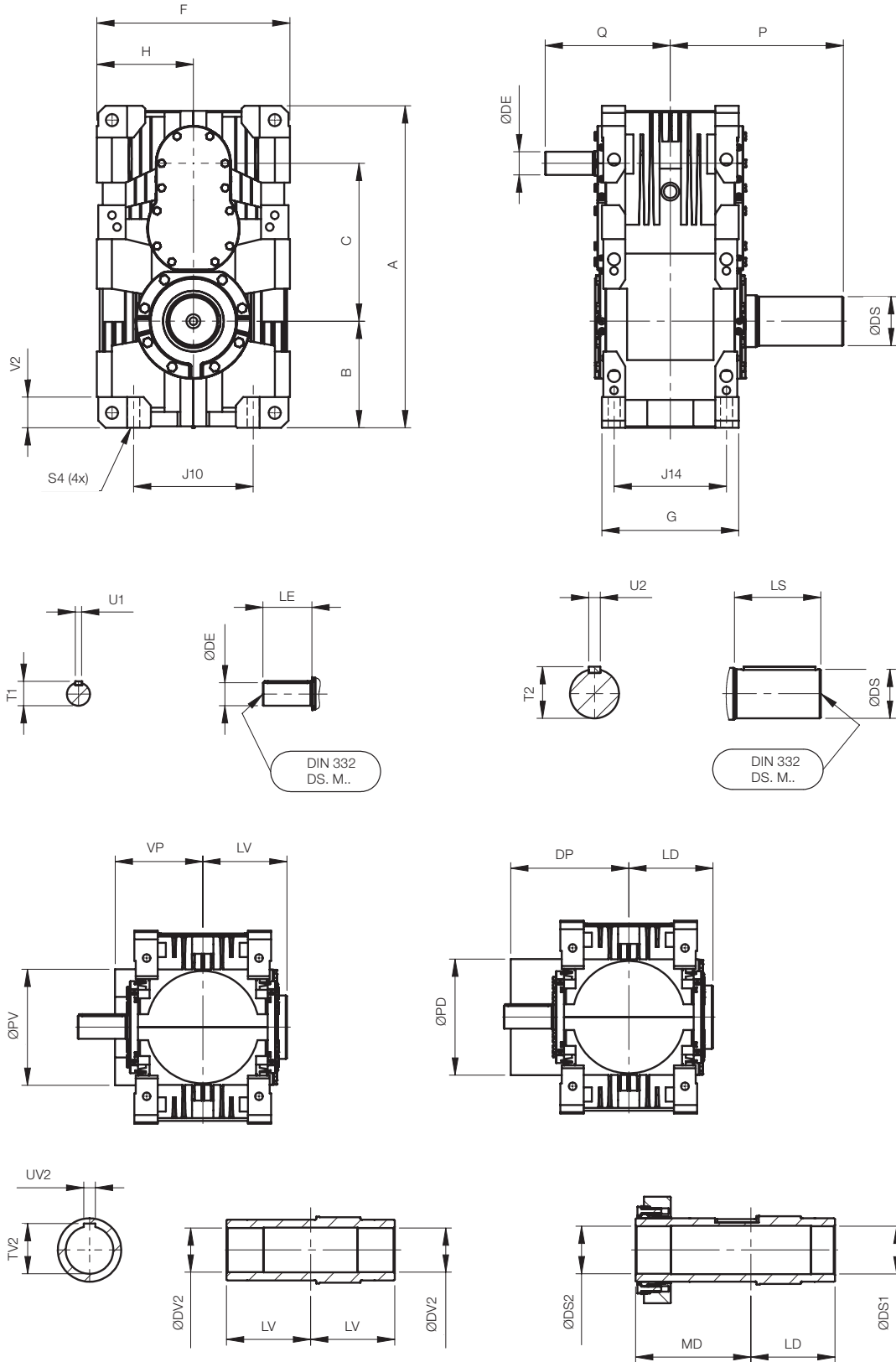
Size	Hollow output shaft						kg
	ØDV2	LV	ØPV	TV2	UV2	VP	
W03	95 H8	190	224	100,4	25 JS9	197	301,7
W04	105 H8	194	236	111,4	28 JS9	201	334,5
W05	115 H8	222	305	122,4	32 JS9	265	483
W06	125 H8	224	320	132,4	32 JS9	265	542
W07	135 H8	256	350	143,4	36 JS9	305	838
W08	150 H8	256	380	158,4	36 JS9	305	956
W09	165 H8	292	400	174,4	40 JS9	345	1,196
W10	165 H8	292	400	174,4	40 JS9	345	1,273
W11	180 H8	319	460	190,4	45 JS9	370	1,686
W12	190 H8	319	460	200,4	45 JS9	370	1,794
W13	210 H8	352	520	221,4	50 JS9	400	2,334
W14	210 H8	352	560	221,4	50 JS9	400	2,521
W15	230 H8	400	560	241,4	50 JS9	460	2,925
W16	240 H8	400	600	252,4	56 JS9	460	3,169

Size	Output shaft shrink disc						kg
	ØDS1	ØDS2	ØPD	LD	MD	DP	
W03	101 H9	100 H7	268	190	286	294,25	304,8
W04	111 H9	110 H7	280	194	296	304,75	336,8
W05	121 H9	120 H7	305	222	328	370	486
W06	131 H9	130 H7	320	224	336	375	547
W07	141 H9	140 H7	350	256	364	415	846
W08	151 H9	150 H7	380	256	364	415	967
W09	166 H9	165 H7	400	292	400	450	1,229
W10	166 H9	165 H7	400	292	400	450	1,307
W11	181 H9	180 H7	460	319	451	500	1,712
W12	191 H9	190 H7	460	319	451	500	1,821
W13	211 H9	210 H7	520	352	498	550	2,365
W14	211 H9	210 H7	560	352	498	550	2,552
W15	231 H9	230 H7	560	400	570	630	2,962
W16	241 H9	240 H7	600	400	570	630	3,203

Dimensions and weight

Foot mounting (P4)

Parallel shafts 2 stages



Dimensions and weight

Foot mounting (P4)

Parallel shafts 2 stages

Size	A	B	C	F	G	H	J10	J14	P	Q	S4 (4x)	V2
W01	606	190	286	380	260	190	250	210	343	265	Ø24	62
W02	665	215	320	380	260	190	250	210	346	265	Ø24	62
W03	693	215	338	450	300	225	300	245	400	285	Ø28	68
W04	767	250	377	450	300	225	300	245	404	285	Ø28	68
W05	808	250	398	530	360	265	335	290	432	345	Ø35	86
W06	899	295	444	530	360	265	335	290	475	345	Ø35	86
W07	1015	355	470	630	425	315	400	340	506	380	Ø42	105
W08	1069	355	524	630	425	315	400	340	556	380	Ø42	105
W09	1118	370	548	670	475	335	415	390	592	440	Ø42	107
W10	1150	370	580	670	475	335	415	390	592	440	Ø42	107
W11	1260	420	617	750	515	375	455	420	612	460	Ø48	128
W12	1295	420	652	750	515	375	455	420	662	460	Ø48	128
W13	1422	465	707	850	570	425	610	440	702	535	M42x63	-
W14	1463	465	748	850	570	425	610	440	762	535	M42x63	-
W15	1531	495	766	900	630	450	600	510	810	575	M48x72	-
W16	1571	495	806	900	630	450	600	510	810	575	M48x72	-

Size	Input shaft				DIN 332 DS. M..
	ØDE	LE	T1	U1	
W01	40 m6	110	43,5	12 h9	M16
W02	40 m6	110	43,5	12 h9	M16
W03	50 m6	110	53,5	14 h9	M16
W04	50 m6	110	53,5	14 h9	M16
W05	60 m6	140	64	18 h9	M20
W06	60 m6	140	64	18 h9	M20
W07	70 m6	140	74.5	20 h9	M20
W08	70 m6	140	74.5	20 h9	M20
W09	80 m6	170	85	22 h9	M20
W10	80 m6	170	85	22 h9	M20
W11	95 m6	170	100	25 h9	M24
W12	95 m6	170	100	25 h9	M24
W13	105 m6	210	111	28 h9	M24
W14	105 m6	210	111	28 h9	M24
W15	115 m6	210	122	32 h9	M24
W16	115 m6	210	122	32 h9	M24

Size	Solid output shaft				DIN 332 DS. M..	kg
	ØDS	LS	T2	U2		
W01	80 m6	170	85	22 h9	M20	198
W02	90 m6	170	95	25 h9	M24	226,6
W03	100 m6	210	106	28 h9	M24	360
W04	110 m6	210	116	28 h9	M24	356
W05	120 m6	210	127	32 h9	M24	485
W06	130 m6	250	137	32 h9	M24	552
W07	140 m6	250	148	36 h9	M30	840
W08	160 m6	300	169	40 h9	M30	945
W09	170 m6	300	179	40 h9	M30	1,161
W10	170 m6	300	179	40 h9	M30	1,247
W11	180 m6	300	190	45 h9	M30	1,656
W12	190 m6	350	200	45 h9	M30	1,767
W13	210 m6	350	221	50 h9	M30	2,267
W14	230 m6	410	241	50 h9	M36	2,622
W15	230 m6	410	241	50 h9	M36	3,051
W16	240 m6	410	252	56 h9	M36	3,326

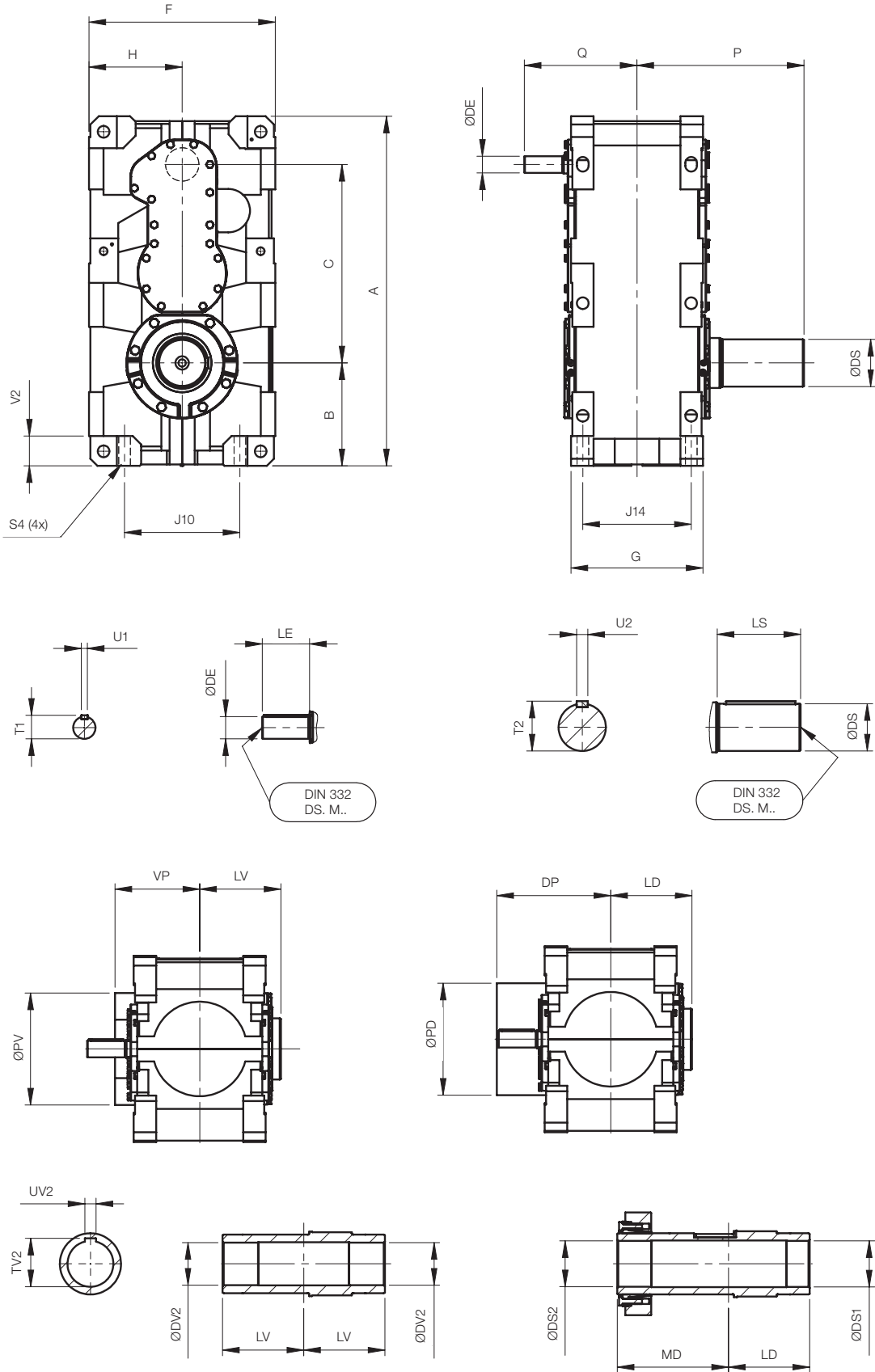
Size	Hollow output shaft						kg
	ØDV2	LV	ØPV	TV2	UV2	VP	
W01	75 H8	173	182	79,9	20 JS9	181,25	184
W02	85 H8	176	210	90,4	22 JS9	181	207,4
W03	95 H8	190,5	224	100,4	25 JS9	197	330
W04	105 H8	194	236	114,4	28 JS9	201	320
W05	115 H8	222	305	122,4	32 JS9	265	436
W06	125 H8	224	320	132,4	32 JS9	265	488
W07	135 H8	256	350	143,4	36 JS9	305	753
W08	150 H8	256	380	158,4	36 JS9	305	867
W09	165 H8	292	400	174,4	40 JS9	345	1,039
W10	165 H8	292	400	174,4	40 JS9	345	1,122
W11	180 H8	319	460	190,4	45 JS9	370	1,469
W12	190 H8	319	460	200,4	45 JS9	370	1,577
W13	210 H8	352	520	221,4	50 JS9	400	2,064
W14	210 H8	352	560	221,4	50 JS9	400	2,229
W15	230 H8	400	560	241,4	50 JS9	460	2,626
W16	240 H8	400	600	252,4	56 JS9	460	2,881

Size	Output shaft shrink disc						kg
	ØDS1	ØDS2	ØPD	LD	MD	DP	
W01	81 H9	80 H7	230	173	261	265	186
W02	91 H7	90 H7	240	176	264	272,25	208,3
W03	101 H9	100 H7	268	190,5	286,5	294,25	333
W04	111 H9	110 H7	280	194	297	304,75	322
W05	121 H9	120 H7	305	222	328	370	439
W06	131 H9	130 H7	320	224	336	375	493
W07	141 H9	140 H7	350	256	364	415	761
W08	151 H9	150 H7	380	256	364	415	878
W09	166 H9	165 H7	400	292	400	450	1,072
W10	166 H9	165 H7	400	292	400	450	1,156
W11	181 H9	180 H7	460	319	451	500	1,495
W12	191 H9	190 H7	460	319	451	500	1,604
W13	211 H9	210 H7	520	352	498	550	2,095
W14	211 H9	210 H7	560	352	498	550	2,260
W15	231 H9	230 H7	560	400	570	630	2,663
W16	241 H9	240 H7	600	400	570	630	2,915

Dimensions and weight

Foot mounting (P4)

Parallel shafts 3 stages



Dimensions and weight

Foot mounting (P4)

Parallel shafts 3 stages

Size	A	B	C	F	G	H	J10	J14	P	Q	S4 (4x)	V2
W01	666	190	376	380	260	190	250	210	343	235	24	62
W02	725	215	410	380	260	190	250	210	346	235	24	62
W03	778	215	452	450	300	255	300	245	400	255	28	68
W04	852	250	491	450	300	255	300	245	404	255	28	68
W05	918	250	518	530	360	265	335	290	432	315	Ø35	86
W06	1009	295	564	530	360	265	335	290	475	315	Ø35	86
W07	1145	355	612	630	425	315	400	340	506	350	Ø42	105
W08	1199	355	666	630	425	315	400	340	556	350	Ø42	105
W09	1258	370	714	670	475	335	415	390	592	405	Ø42	107
W10	1290	370	746	670	475	335	415	390	592	405	Ø42	107
W11	1417	420	813	750	515	375	455	420	612	425	Ø48	128
W12	1452	420	848	750	515	375	455	420	662	425	Ø48	128
W13	1604	465	933	850	570	425	610	440	702	455	M42x63	-
W14	1644	465	973	850	570	425	610	440	762	455	M42x63	-
W15	1718	495	992	900	630	450	600	510	810	485	M48x72	-
W16	1758	495	1032	900	630	450	600	510	810	485	M48x72	-

Size	Input shaft				DIN 332 DS. M..
	ØDE	LE	T1	U1	
W01	32 k6	80	34,8	10 h9	M12
W02	32 k6	80	34,8	10 h9	M12
W03	38 k6	80	41	10 h9	M12
W04	38 k6	80	41	10 h9	M12
W05	45 k6	110	48,5	14 h9	M16
W06	45 k6	110	48,5	14 h9	M16
W07	50 k6	110	53,5	14 h9	M16
W08	50 k6	110	53,5	14 h9	M16
W09	60 m6	140	64	18 h9	M20
W10	60 m6	140	64	18 h9	M20
W11	65 m6	140	69	18 h9	M20
W12	65 m6	140	69	18 h9	M20
W13	75 m6	140	79,5	20 h9	M20
W14	75 m6	140	79,5	20 h9	M20
W15	75 m6	140	79,5	20 h9	M20
W16	75 m6	140	79,5	20 h9	M20

Size	Solid output shaft					kg
	ØDS	LS	T2	U2	DIN 332 DS. M..	
W01	80 m6	170	85	22 h9	M20	216,4
W02	90 m6	170	95	25 h9	M24	246,6
W03	100 m6	210	106	28 h9	M24	334,2
W04	110 m6	210	116	28 h9	M24	375,4
W05	120 m6	210	127	32 h9	M24	517
W06	130 m6	250	137	32 h9	M24	585
W07	140 m6	250	148	36 h9	M30	891
W08	160 m6	300	169	40 h9	M30	1,000
W09	170 m6	300	179	40 h9	M30	1,275
W10	170 m6	300	179	40 h9	M30	1,355
W11	180 m6	300	190	45 h9	M30	1,825
W12	190 m6	350	200	45 h9	M30	1,936
W13	210 m6	350	221	50 h9	M30	2,451
W14	230 m6	410	241	50 h9	M36	2,828
W15	230 m6	410	241	50 h9	M36	3,300
W16	240 m6	410	252	56 h9	M36	3,565

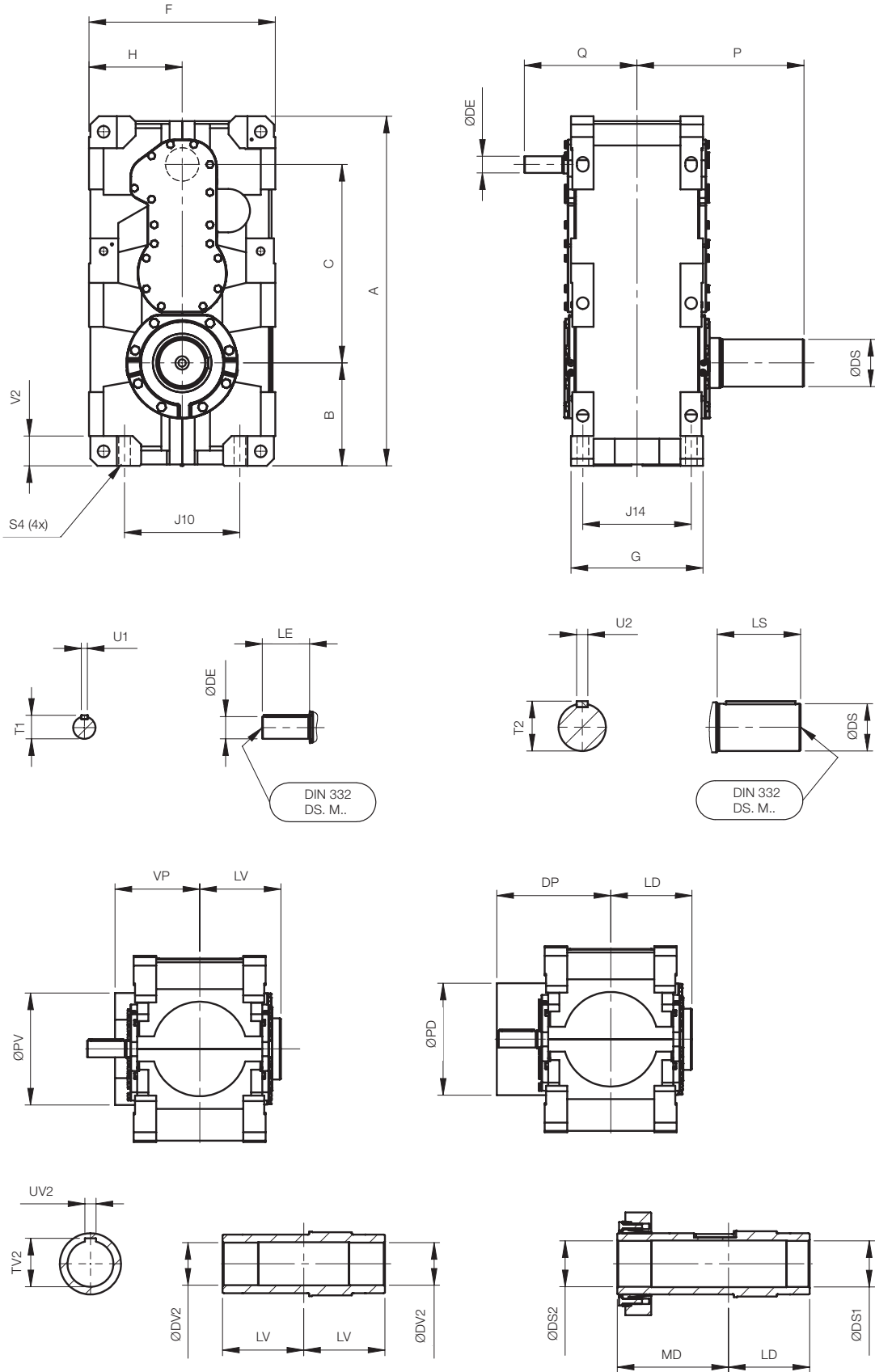
Size	Hollow output shaft						kg
	ØDV2	LV	ØPV	TV2	UV2	VP	
W01	75 H8	173	182	79,9	20 JS9	181,25	202,7
W02	85 H8	176	210	90,4	22 JS9	181	227,4
W03	95 H8	190	224	100,4	25 JS9	197	304,9
W04	105 H8	194	236	11,4	28 JS9	201	341,75
W05	115 H8	222	305	122,4	32 JS9	265	468
W06	125 H8	224	320	132,4	32 JS9	265	527
W07	135 H8	256	350	143,4	36 JS9	305	810
W08	150 H8	256	380	158,4	36 JS9	305	928
W09	165 H8	292	400	174,4	40 JS9	345	1,153
W10	165 H8	292	400	174,4	40 JS9	345	1,230
W11	180 H8	319	460	190,4	45 JS9	370	1,618
W12	190 H8	319	460	200,4	45 JS9	370	1,726
W13	210 H8	352	520	221,4	50 JS9	400	2,224
W14	210 H8	352	560	221,4	50 JS9	400	2,411
W15	230 H8	400	560	241,4	50 JS9	460	2,827
W16	240 H8	400	600	252,4	56 JS9	460	3,072

Size	Output shaft shrink disc							kg
	ØDS1	ØDS2	ØPD	LD	MD	DP		
W01	81 H9	80 H7	230	173	261	267,5	204,9	
W02	91 H9	90 H7	240	176	264	272,25	228,3	
W03	101 H9	100 H7	268	190	286	294,25	307,9	
W04	111 H9	110 H7	280	194	296	304,75	344	
W05	121 H9	120 H7	305	222	328	370	471	
W06	131 H9	130 H7	320	224	336	375	532	
W07	141 H9	140 H7	350	256	364	415	818	
W08	151 H9	150 H7	380	256	364	415	939	
W09	166 H9	165 H7	400	292	400	450	1,186	
W10	166 H9	165 H7	400	292	400	450	1,264	
W11	181 H9	180 H7	460	319	451	500	1,644	
W12	191 H9	190 H7	460	319	451	500	1,753	
W13	211 H9	210 H7	520	352	498	550	2,255	
W14	211 H9	210 H7	560	352	498	550	2,442	
W15	231 H9	230 H7	560	400	570	630	2,864	
W16	241 H9	240 H7	600	400	570	630	3,106	

Dimensions and weight

Foot mounting (P4)

Parallel shafts 4 stages



Dimensions and weight

Foot mounting (P4)

Parallel shafts 4 stages

Size	A	B	C	F	G	H	J10	J14	P	Q	S4 (4x)	V2
W03	778	215	452	450	300	225	300	245	400	235	Ø28	68
W04	852	250	491	450	300	225	300	245	404	235	Ø28	68
W05	918	250	518	530	360	265	335	290	432	285	Ø35	86
W06	1009	295	564	530	360	265	335	290	475	285	Ø35	86
W07	1145	355	612	630	425	315	400	340	506	320	Ø42	105
W08	1199	355	666	630	425	315	400	340	556	320	Ø42	105
W09	1258	370	714	670	475	335	415	390	592	375	Ø42	107
W10	1290	370	746	670	475	335	415	390	592	375	Ø42	107
W11	1417	420	813	750	515	375	455	420	612	395	Ø48	128
W12	1452	420	848	750	515	375	455	420	662	395	Ø48	128
W13	1604	465	933	850	570	425	610	440	702	425	M42x63	-
W14	1644	465	973	850	570	425	610	440	762	425	M42x63	-
W15	1718	495	992	900	630	450	600	510	810	485	M48x72	-
W16	1758	495	1032	900	630	450	600	510	810	485	M48x72	-

Input shaft					
Size	ØDE	LE	T1	U1	DIN 332 DS. M..
W03	25 k6	60	28	8 h9	M10
W04	25 k6	60	28	8 h9	M10
W05	30 k6	80	33	8 h9	M10
W06	30 k6	80	33	8 h9	M10
W07	35 k6	80	38	10 h9	M12
W08	35 k6	80	38	10 h9	M12
W09	40 k6	110	43	12 h9	M16
W10	40 k6	110	43	12 h9	M16
W11	45 k6	110	48.5	14 h9	M16
W12	45 k6	110	48.5	14 h9	M16
W13	55 m6	110	59	16 h9	M20
W14	55 m6	110	59	16 h9	M20
W15	60 m6	140	64	18 h9	M20
W16	60 m6	140	64	18 h9	M20

Solid output shaft						
Size	ØDS	LS	T2	U2	DIN 332 DS. M..	kg
W03	100 m6	210	106	28 h9	M24	340,7
W04	110 m6	210	116	28 h9	M24	382,2
W05	120 m6	210	127	32 h9	M24	520
W06	130 m6	250	137	32 h9	M24	594
W07	140 m6	250	148	36 h9	M30	906
W08	160 m6	300	169	40 h9	M30	1,015
W09	170 m6	300	179	40 h9	M30	1,288
W10	170 m6	300	179	40 h9	M30	1,368
W11	180 m6	300	190	45 h9	M30	1,827
W12	190 m6	350	200	45 h9	M30	1,938
W13	210 m6	350	221	50 h9	M30	2,471
W14	230 m6	410	241	50 h9	M36	2,848
W15	230 m6	410	241	50 h9	M36	3,293
W16	240 m6	410	252	56 h9	M36	3,558

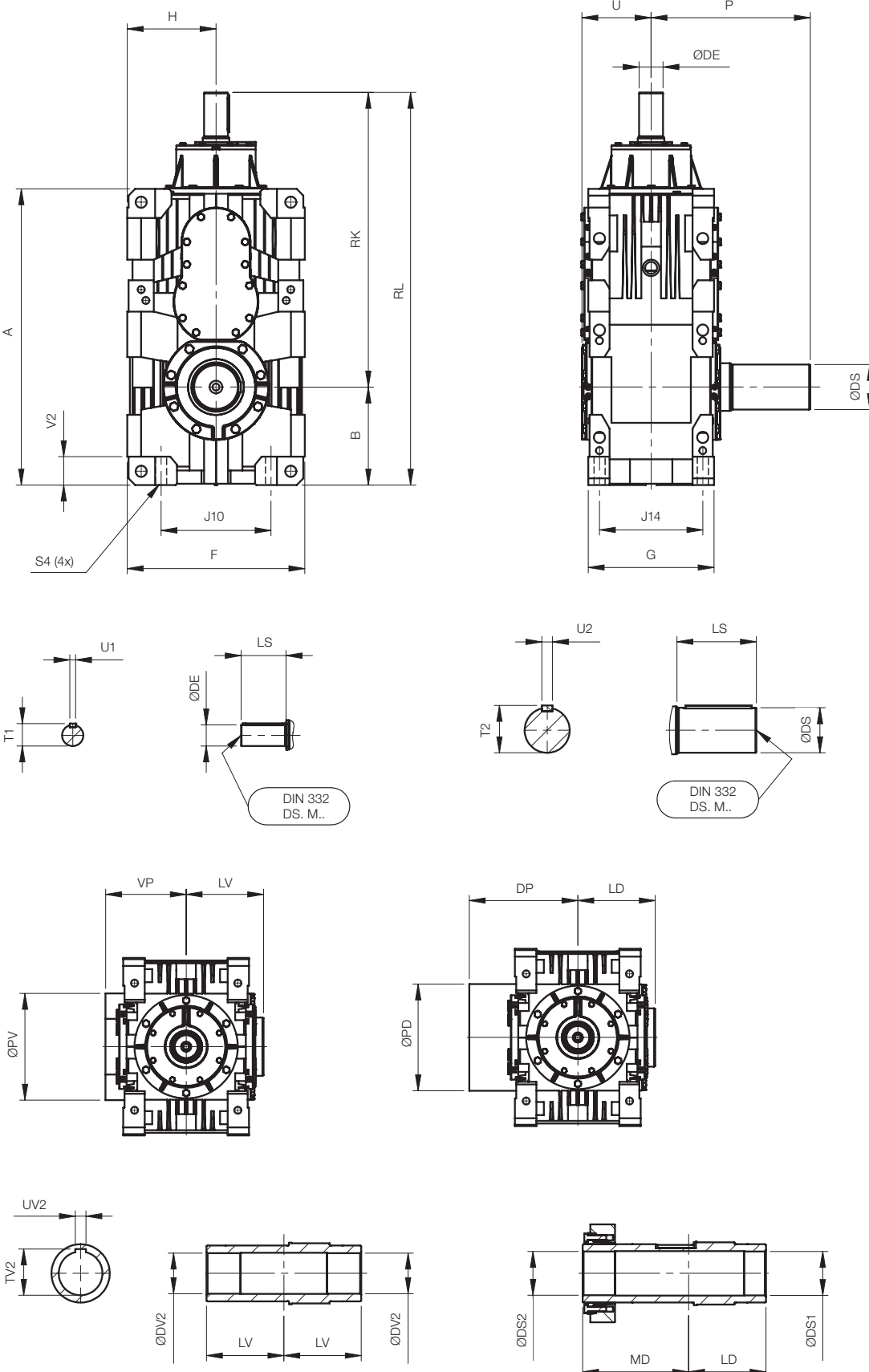
Hollow output shaft							
Size	ØDV2	LV	ØPV	TV2	UV2	VP	kg
W03	95 H8	190	224	100,4	25 JS9	197	311,1
W04	105 H8	194	236	111,4	28 JS9	201	345,7
W05	115 H8	222	305	122,4	32 JS9	265	471
W06	125 H8	224	320	132,4	32 JS9	265	530
W07	135 H8	256	350	143,4	36 JS9	305	819
W08	150 H8	256	380	158,4	36 JS9	305	937
W09	165 H8	292	400	174,4	40 JS9	345	1,166
W10	165 H8	292	400	174,4	40 JS9	345	1,243
W11	180 H8	319	460	190,4	45 JS9	370	1,640
W12	190 H8	319	460	200,4	45 JS9	370	1,748
W13	210 H8	352	520	221,4	50 JS9	400	2,268
W14	210 H8	352	560	221,4	50 JS9	400	2,455
W15	230 H8	400	560	241,4	50 JS9	460	2,868
W16	240 H8	400	600	252,4	56 JS9	460	3,113

Output shaft shrink disc							
Size	ØDS1	ØDS2	ØPD	LD	MD	DP	kg
W03	101 H9	100 H7	268	190	286	294,25	314,2
W04	111 H9	110 H7	280	194	296	304,75	347,9
W05	121 H9	120 H7	305	222	328	370	474
W06	131 H9	130 H7	320	224	336	375	535
W07	141 H9	140 H7	350	256	364	415	827
W08	151 H9	150 H7	380	256	364	415	948
W09	166 H9	165 H7	400	292	400	450	1,199
W10	166 H9	165 H7	400	292	400	450	1,277
W11	181 H9	180 H7	460	319	451	500	1,666
W12	191 H9	190 H7	460	319	451	500	1,775
W13	211 H9	210 H7	520	352	498	550	2,299
W14	211 H9	210 H7	560	352	498	550	2,486
W15	231 H9	230 H7	560	400	570	630	2,905
W16	241 H9	240 H7	600	400	570	630	3,147

Dimensions and weight

Foot mounting (P4)

Right angle shafts R 2 stages



Dimensions and weight

Foot mounting (P4)

Right angle shafts R 2 stages

Size	A	B	F	G	H	J10	J14	P	S4 (4x)	U	V2	RK	RL
W01	606	190	380	260	147	250	210	343	24	147	62	656	846
W02	665	215	380	260	190	250	210	346	24	147	62	690	905
W03	693	215	450	300	225	300	245	400	28	167	68	726	941
W04	767	250	450	300	225	300	245	404	28	167	68	765	1015
W05	808	250	530	360	265	335	290	432	Ø35	191	86	842	1092
W06	899	295	530	360	265	335	290	475	Ø35	191	86	888	1183
W07	1015	355	630	425	315	400	340	506	Ø42	226	105	984	1339
W08	1069	355	630	425	315	400	340	556	Ø42	226	105	1038	1393
W09	1118	370	670	475	335	415	390	592	Ø42	261	107	1102	1472
W10	1150	370	670	475	335	415	390	592	Ø42	261	107	1134	1504
W11	1260	420	750	515	375	455	420	612	Ø48	281	128	1275	1695
W12	1295	420	750	515	375	455	420	662	Ø48	281	128	1310	1730
W13	1422	465	850	570	425	610	440	702	M42x63	317	-	1405	1870
W14	1463	465	850	570	425	610	440	762	M42x63	317	-	1446	1911
W15	1531	495	900	630	450	600	510	810	M48x72	357	-	1570	2065
W16	1571	495	900	630	450	600	510	810	M48x72	357	-	1610	2105

Input shaft					
Size	ØDE	LE	T1	U1	DIN 332 DS. M..
W01	45 m6	110	48,5	14 h9	M16
W02	45 m6	110	48,5	14 h9	M16
W03	55 m6	110	59	16 h9	M20
W04	55 m6	110	59	16 h9	M20
W05	70 m6	140	74.5	20 h9	M20
W06	70 m6	140	74.5	20 h9	M20
W07	80 m6	170	85	22 h9	M20
W08	80 m6	170	85	22 h9	M20
W09	90 m6	170	95	25 h9	M24
W10	90 m6	170	95	25 h9	M24
W11	100 m6	210	106	28 h9	M24
W12	100 m6	210	106	28 h9	M24
W13	120 m6	210	131	32 h9	M24
W14	120 m6	210	131	32 h9	M24
W15	130 m6	250	141	32 h9	M24
W16	130 m6	250	141	32 h9	M24

Solid output shaft						
Size	ØDS	LS	T2	U2	DIN 332 DS. M..	kg
W01	80 m6	170	85	22 h9	M20	215,6
W02	90 m6	170	95	25 h9	M24	246,2
W03	100 m6	210	106	28 h9	M24	382,6
W04	110 m6	210	116	28 h9	M24	381
W05	120 m6	210	127	32 h9	M24	543
W06	130 m6	250	137	32 h9	M24	610
W07	140 m6	250	148	36 h9	M30	901
W08	160 m6	300	169	40 h9	M30	1,006
W09	170 m6	300	179	40 h9	M30	1,256
W10	170 m6	300	179	40 h9	M30	1,342
W11	180 m6	300	190	45 h9	M30	1,771
W12	190 m6	350	200	45 h9	M30	1,882
W13	210 m6	350	221	50 h9	M30	2,456
W14	230 m6	410	241	50 h9	M36	2,811
W15	230 m6	410	241	50 h9	M36	3,273
W16	240 m6	410	252	56 h9	M36	3,548

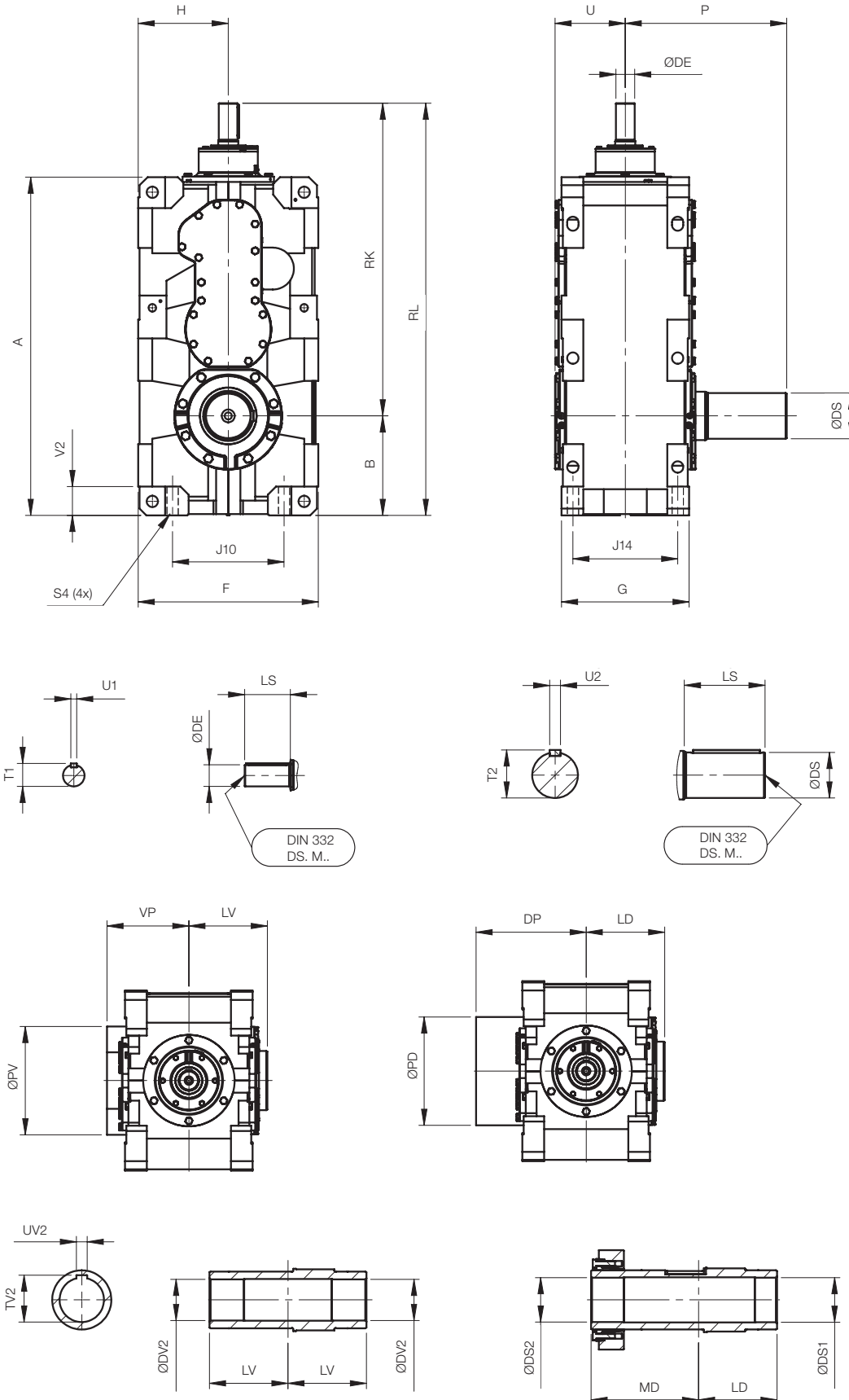
Hollow output shaft							
Size	ØDV2	LV	ØPV	TV2	UV2	VP	kg
W01	75 H8	173	182	79,9	20 JS9	181,25	204
W02	85 H8	176	210	90,4	22 JS9	181	227
W03	95 H8	190	224	100,4	25 JS9	197	353,1
W04	105 H8	194	236	111,4	28 JS9	201	344,5
W05	115 H8	222	305	122,4	32 JS9	265	494
W06	125 H8	224	320	132,4	32 JS9	265	546
W07	135 H8	256	350	143,4	36 JS9	305	814
W08	150 H8	256	380	158,4	36 JS9	305	928
W09	165 H8	292	400	174,4	40 JS9	345	1,134
W10	165 H8	292	400	174,4	40 JS9	345	1,217
W11	180 H8	319	460	190,4	45 JS9	370	1,584
W12	190 H8	319	460	200,4	45 JS9	370	1,692
W13	210 H8	352	520	221,4	50 JS9	400	2,253
W14	210 H8	352	560	221,4	50 JS9	400	2,418
W15	230 H8	400	560	241,4	50 JS9	460	2,848
W16	240 H8	400	600	252,4	56 JS9	460	3,103

Output shaft shrink disc							
Size	ØDS1	ØDS2	ØPD	LD	MD	DP	kg
W01	81 H9	80 H7	230	173	261	267,5	206,1
W02	91 H9	90 H7	240	176	264	272,25	227,9
W03	101 H9	100 H7	268	190	286	294,25	356,2
W04	111 H9	110 H7	280	194	296	304,75	346,8
W05	121 H9	120 H7	305	222	328	370	497
W06	131 H9	130 H7	320	224	336	375	551
W07	141 H9	140 H7	350	256	364	415	822
W08	151 H9	150 H7	380	256	364	415	939
W09	166 H9	165 H7	400	292	400	450	1,167
W10	166 H9	165 H7	400	292	400	450	1,251
W11	181 H9	180 H7	460	319	451	500	1,610
W12	191 H9	190 H7	460	319	451	500	1,719
W13	211 H9	210 H7	520	352	498	550	2,284
W14	211 H9	210 H7	560	352	498	550	2,449
W15	231 H9	230 H7	560	400	570	630	2,885
W16	241 H9	240 H7	600	400	570	630	3,137

Dimensions and weight

Foot mounting (P4)

Right angle shafts R 3 stages



Dimensions and weight

Foot mounting (P4)

Right angle shafts R 3 stages

Size	A	B	F	G	H	J10	J14	P	S4 (4x)	U	V2	RK	RL
W01	666	190	380	260	190	250	210	343	24	147	62	636	826
W02	725	215	380	260	190	250	210	346	24	147	62	670	885
W03	778	215	450	300	225	300	245	400	28	167	68	738	953
W04	852	250	450	300	225	300	245	404	28	167	68	777	1027
W05	913	250	530	360	265	335	290	432	Ø35	191	86	888	1138
W06	1004	295	530	360	265	335	290	475	Ø35	191	86	934	1229
W07	1140	355	630	425	315	400	340	506	Ø42	226	105	1000	1355
W08	1194	355	630	425	315	400	340	556	Ø42	226	105	1054	1409
W09	1253	370	670	475	335	415	390	592	Ø42	261	107	1158	1528
W10	1285	370	670	475	335	415	390	592	Ø42	261	107	1190	1560
W11	1412	420	750	515	375	455	420	612	Ø48	281	128	1327	1747
W12	1447	420	750	515	375	455	420	662	Ø48	281	128	1362	1782
W13	1597	465	850	570	425	610	440	702	M42x63	317	-	1497	1962
W14	1637	465	850	570	425	610	440	762	M42x63	317	-	1537	2002
W15	1711	495	900	630	450	600	510	810	M48x72	357	-	1556	2051
W16	1751	495	900	630	450	600	510	810	M48x72	357	-	1596	2091

Input shaft					
Size	ØDE	LE	T1	U1	DIN 332 DS. M..
W01	32 k6	80	35	10 h9	M12
W02	32 k6	80	35	10 h9	M12
W03	38 k6	80	41	10 h9	M12
W04	38 k6	80	41	10 h9	M12
W05	45 k6	110	48.5	14 h9	M16
W06	45 k6	110	48.5	14 h9	M16
W07	55 m6	110	59	16 h9	M20
W08	55 m6	110	59	16 h9	M20
W09	70 m6	140	74.5	20 h9	M20
W10	70 m6	140	74.5	20 h9	M20
W11	80 m6	170	85	22 h9	M20
W12	80 m6	170	85	22 h9	M20
W13	90 m6	170	95	25 h9	M24
W14	90 m6	170	95	25 h9	M24
W15	90 m6	170	95	25 h9	M24
W16	90 m6	170	95	25 h9	M24

Solid output shaft						
Size	ØDS	LS	T2	U2	DIN 332 DS. M..	kg
W01	80 m6	170	85	22 h9	M20	227,2
W02	90 m6	170	95	25 h9	M24	254,8
W03	100 m6	210	106	28 h9	M24	351,9
W04	110 m6	210	116	28 h9	M24	395,2
W05	120 m6	210	127	32 h9	M24	538
W06	130 m6	250	137	32 h9	M24	612
W07	140 m6	250	148	36 h9	M30	927
W08	160 m6	300	169	40 h9	M30	1,036
W09	170 m6	300	179	40 h9	M30	1,323
W10	170 m6	300	179	40 h9	M30	1,403
W11	180 m6	300	190	45 h9	M30	1,884
W12	190 m6	350	200	45 h9	M30	1,995
W13	210 m6	350	221	50 h9	M30	2,534
W14	230 m6	410	241	50 h9	M36	2,911
W15	230 m6	410	241	50 h9	M36	3,336
W16	240 m6	410	252	56 h9	M36	3,600

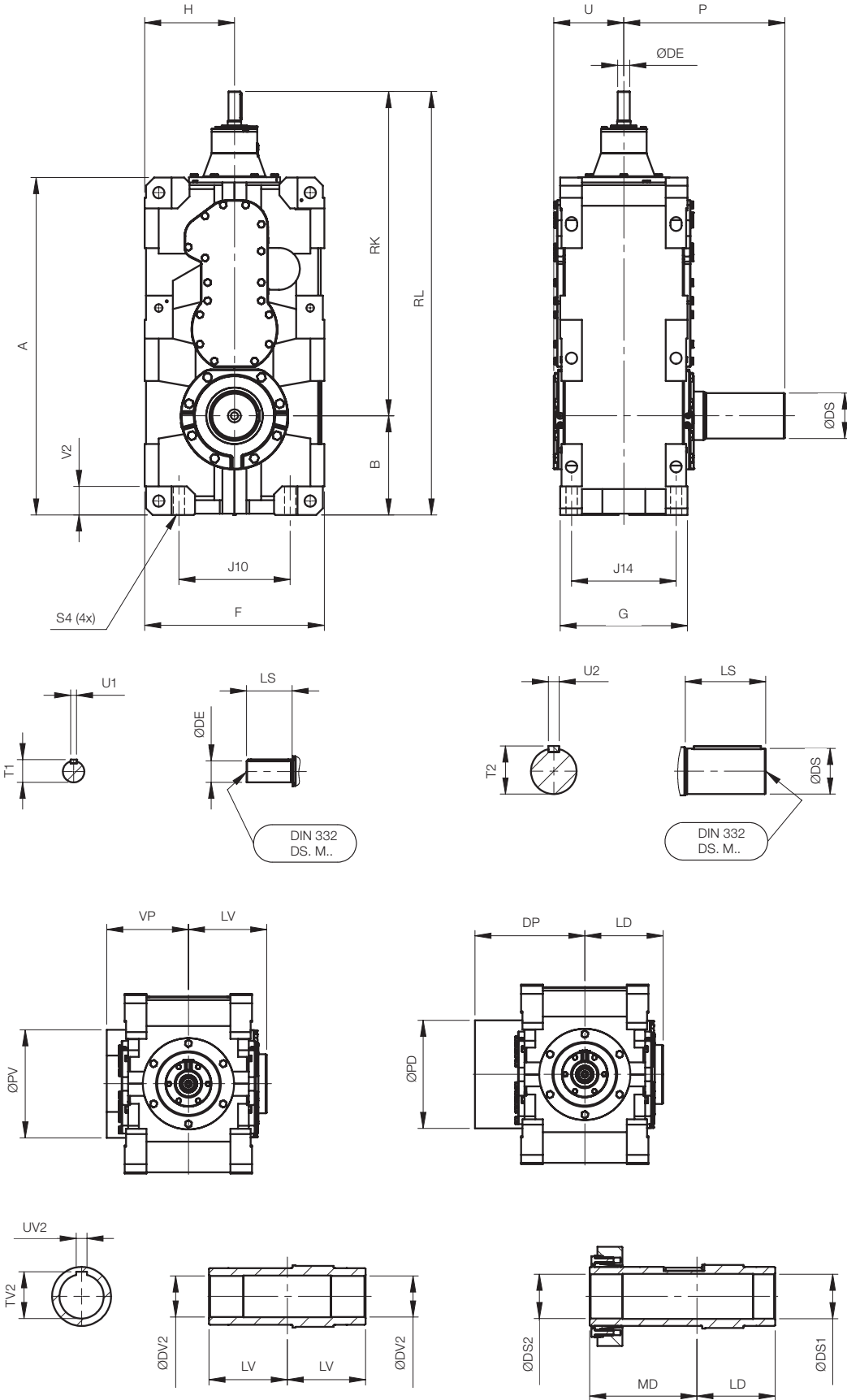
Hollow output shaft							
Size	ØDV2	LV	ØPV	TV2	UV2	VP	kg
W01	75 H8	173	182	79,9	20 JS9	181,25	213,5
W02	85 H8	176	210	90,4	22 JS9	181	235,6
W03	95 H8	190	224	100,4	25 JS9	197	319,7
W04	105 H8	194	236	111,4	28 JS9	201	358,6
W05	115 H8	222	305	122,4	32 JS9	265	489
W06	125 H8	224	320	132,4	32 JS9	265	548
W07	135 H8	256	350	143,4	36 JS9	305	840
W08	150 H8	256	380	158,4	36 JS9	305	958
W09	165 H8	292	400	174,4	40 JS9	345	1,201
W10	165 H8	292	400	174,4	40 JS9	345	1,278
W11	180 H8	319	460	190,4	45 JS9	370	1,697
W12	190 H8	319	460	200,4	45 JS9	370	1,805
W13	210 H8	352	520	221,4	50 JS9	400	2,331
W14	210 H8	352	560	221,4	50 JS9	400	2,518
W15	230 H8	400	560	241,4	50 JS9	460	2,911
W16	240 H8	400	600	252,4	56 JS9	460	3,155

Output shaft shrink disc							
Size	ØDS1	ØDS2	ØPD	LD	MD	DP	kg
W01	81 H9	80 H7	230	173	261	267,5	215,7
W02	91 H9	90 H7	240	176	264	272,25	236,5
W03	101 H9	100 H7	268	190	286	294,25	322,8
W04	111 H9	110 H7	280	194	296	304,75	360,9
W05	121 H9	120 H7	305	222	328	370	492
W06	131 H9	130 H7	320	224	336	375	553
W07	141 H9	140 H7	350	256	364	415	848
W08	151 H9	150 H7	380	256	364	415	969
W09	166 H9	165 H7	400	292	400	450	1,234
W10	166 H9	165 H7	400	292	400	450	1,312
W11	181 H9	180 H7	460	319	451	500	1,723
W12	191 H9	190 H7	460	319	451	500	1,832
W13	211 H9	210 H7	520	352	498	550	2,362
W14	211 H9	210 H7	560	352	498	550	2,549
W15	231 H9	230 H7	560	400	570	630	2,948
W16	241 H9	240 H7	600	400	570	630	3,189

Dimensions and weight

Foot mounting (P4)

Right angle shafts R 4 stages



Dimensions and weight

Foot mounting (P4)

Right angle shafts R 4 stages

Size	A	B	F	G	H	J10	J14	P	S4 (4x)	U	V2	RK	RL
W03	778	215	450	300	225	300	245	400	Ø28	167	68	732	947
W04	852	250	450	300	225	300	245	404	Ø28	167	68	771	1021
W05	913	250	530	360	265	335	290	432	Ø35	191	86	868	1118
W06	1004	295	530	360	265	335	290	475	Ø35	191	86	914	1209
W07	1140	355	630	425	315	400	340	506	Ø42	226	105	1012	1367
W08	1194	355	630	425	315	400	340	556	Ø42	226	105	1066	1421
W09	1253	370	670	475	335	415	390	592	Ø42	261	107	1204	1574
W10	1285	370	670	475	335	415	390	592	Ø42	261	107	1236	1606
W11	1412	420	750	515	375	455	420	612	Ø48	281	128	1343	1763
W12	1447	420	750	515	375	455	420	662	Ø48	281	128	1378	1798
W13	1597	465	850	570	425	610	440	702	M42x63	317	-	1543	2008
W14	1637	465	850	570	425	610	440	762	M42x63	317	-	1583	2048
W15	1711	495	900	630	450	600	510	810	M48x72	357	-	1602	2097
W16	1751	495	900	630	450	600	510	810	M48x72	357	-	1642	2137

Input shaft					
Size	ØDE	LE	T1	U1	DIN 332 DS. M..
W03	28 k6	60	31	8 h9	M10
W04	28 k6	60	31	8 h9	M10
W05	32 k6	80	35	10 h9	M12
W06	32 k6	80	35	10 h9	M12
W07	38 k6	80	41	10 h9	M12
W08	38 k6	80	41	10 h9	M12
W09	45 k6	110	48.5	14 h9	M16
W10	45 k6	110	48.5	14 h9	M16
W11	55 m6	110	59	16 h9	M20
W12	55 m6	110	59	16 h9	M20
W13	70 m6	140	74.5	20 h9	M20
W14	70 m6	140	74.5	20 h9	M20
W15	70 m6	140	74.5	20 h9	M20
W16	70 m6	140	74.5	20 h9	M20

Solid output shaft						
Size	ØDS	LS	T2	U2	DIN 332 DS. M..	kg
W03	100 m6	210	106	28 h9	M24	332,4
W04	110 m6	210	116	28 h9	M24	371,6
W05	120 m6	210	127	32 h9	M24	532
W06	130 m6	250	137	32 h9	M24	606
W07	140 m6	250	148	36 h9	M30	925
W08	160 m6	300	169	40 h9	M30	1,034
W09	170 m6	300	179	40 h9	M30	1,318
W10	170 m6	300	179	40 h9	M30	1,398
W11	180 m6	300	190	45 h9	M30	1,873
W12	190 m6	350	200	45 h9	M30	1,984
W13	210 m6	350	221	50 h9	M30	2,537
W14	230 m6	410	241	50 h9	M36	2,914
W15	230 m6	410	241	50 h9	M36	3,350
W16	240 m6	410	252	56 h9	M36	3,614

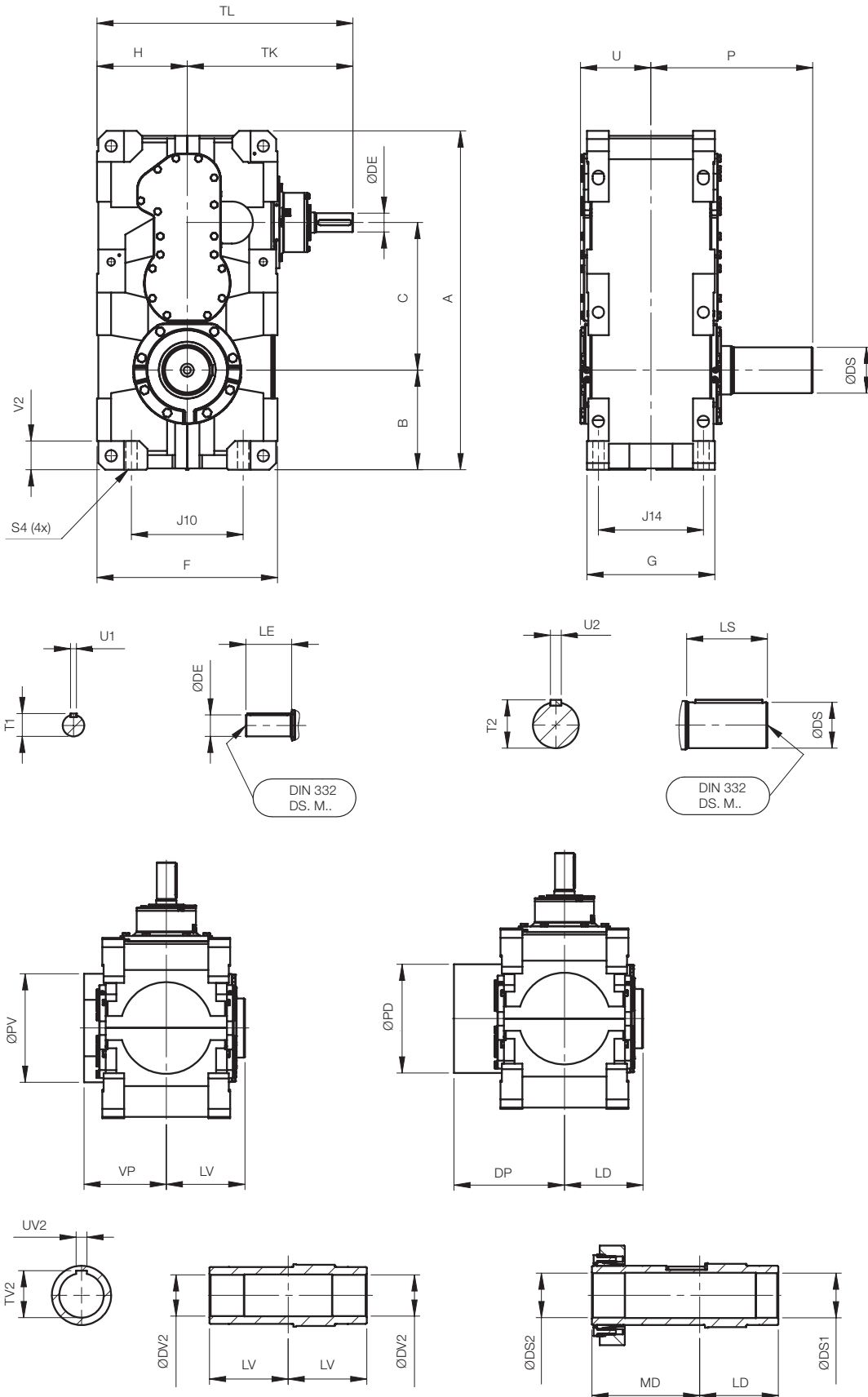
Hollow output shaft							
Size	ØDV2	LV	ØPV	TV2	UV2	VP	kg
W03	95 H8	190	224	100,4	25 JS9	197	302,9
W04	105 H8	194	236	111,4	28 JS9	201	335,1
W05	115 H8	222	305	122,4	32 JS9	265	483
W06	125 H8	224	320	132,4	32 JS9	265	542
W07	135 H8	256	350	143,4	36 JS9	305	838
W08	150 H8	256	380	158,4	36 JS9	305	956
W09	165 H8	292	400	174,4	40 JS9	345	1,196
W10	165 H8	292	400	174,4	40 JS9	345	1,273
W11	180 H8	319	460	190,4	45 JS9	370	1,686
W12	190 H8	319	460	200,4	45 JS9	370	1,794
W13	210 H8	352	520	221,4	50 JS9	400	2,334
W14	210 H8	352	560	221,4	50 JS9	400	2,521
W15	230 H8	400	560	241,4	50 JS9	460	2,925
W16	240 H8	400	600	252,4	56 JS9	460	3,169

Output shaft shrink disc							
Size	ØDS1	ØDS2	ØPD	LD	MD	DP	kg
W03	101 H9	100 H7	268	190	286	294,25	306
W04	111 H9	110 H7	280	194	296	304,75	337,3
W05	121 H9	120 H7	305	222	328	370	486
W06	131 H9	130 H7	320	224	336	375	547
W07	141 H9	140 H7	350	256	364	415	846
W08	151 H9	150 H7	380	256	364	415	967
W09	166 H9	165 H7	400	292	400	450	1,229
W10	166 H9	165 H7	400	292	400	450	1,307
W11	181 H9	180 H7	460	319	451	500	1,712
W12	191 H9	190 H7	460	319	451	500	1,821
W13	211 H9	210 H7	520	352	498	550	2,365
W14	211 H9	210 H7	560	352	498	550	2,552
W15	231 H9	230 H7	560	400	570	630	2,962
W16	241 H9	240 H7	600	400	570	630	3,203

Dimensions and weight

Foot mounting (P4)

Right angle shafts T 3 stages



Dimensions and weight

Foot mounting (P4)

Right angle shafts T 3 stages

Size	A	B	C	F	G	H	J10	J14	P	S4 (4x)	U	V2	TK	TL
W01	666	190	286	380	260	190	250	210	343	24	147	62	350	540
W02	725	215	320	380	260	190	250	210	346	24	147	62	350	540
W03	778	215	338	450	300	225	300	245	400	28	167	68	400	625
W04	852	250	377	450	300	225	300	245	404	28	167	68	400	625
W05	913	250	398	530	360	265	335	290	432	Ø35	191	86	490	755
W06	1004	295	444	530	360	265	335	290	475	Ø35	191	86	490	755
W07	1140	355	470	630	425	315	400	340	506	Ø42	226	105	530	845
W08	1194	355	524	630	425	315	400	340	556	Ø42	226	105	530	845
W09	1253	370	548	670	475	335	415	390	592	Ø42	261	107	610	945
W10	1285	370	580	670	475	335	415	390	592	Ø42	261	107	610	945
W11	1412	420	617	750	515	375	455	420	612	Ø48	281	128	710	1085
W12	1447	420	652	750	515	375	455	420	662	Ø48	281	128	710	1085
W13	1597	465	707	850	570	425	610	440	702	M42x63	317	-	790	1215
W14	1637	465	747	850	570	425	610	440	762	M42x63	317	-	790	1215
W15	1711	495	766	900	630	450	600	510	810	M48x72	357	-	790	1240
W16	1751	495	806	900	630	450	600	510	810	M48x72	357	-	790	1240

Input shaft					
Size	ØDE	LE	T1	U1	DIN 332 DS. M..
W01	32 k6	80	35	10 h9	M12
W02	32 k6	80	35	10 h9	M12
W03	38 k6	80	41	10 h9	M12
W04	38 k6	80	41	10 h9	M12
W05	45 k6	110	48.5	14 h9	M16
W06	45 k6	110	48.5	14 h9	M16
W07	55 m6	110	59	16 h9	M20
W08	55 m6	110	59	16 h9	M20
W09	70 m6	140	74.5	20 h9	M20
W10	70 m6	140	74.5	20 h9	M20
W11	80 m6	170	85	22 h9	M20
W12	80 m6	170	85	22 h9	M20
W13	90 m6	170	95	25 h9	M24
W14	90 m6	170	95	25 h9	M24
W15	90 m6	170	95	25 h9	M24
W16	90 m6	170	95	25 h9	M24

Solid output shaft						
Size	ØDS	LS	T2	U2	DIN 332 DS. M..	kg
W01	80 m6	170	85	22 h9	M20	227,4
W02	90 m6	170	95	25 h9	M24	254,5
W03	100 m6	210	106	28 h9	M24	351,9
W04	110 m6	210	116	28 h9	M24	392,5
W05	120 m6	210	127	32 h9	M24	538
W06	130 m6	250	137	32 h9	M24	612
W07	140 m6	250	148	36 h9	M30	927
W08	160 m6	300	169	40 h9	M30	1,036
W09	170 m6	300	179	40 h9	M30	1,323
W10	170 m6	300	179	40 h9	M30	1,403
W11	180 m6	300	190	45 h9	M30	1,884
W12	190 m6	350	200	45 h9	M30	1,995
W13	210 m6	350	221	50 h9	M30	2,534
W14	230 m6	410	241	50 h9	M36	2,911
W15	230 m6	410	241	50 h9	M36	3,336
W16	240 m6	410	252	56 h9	M36	3,600

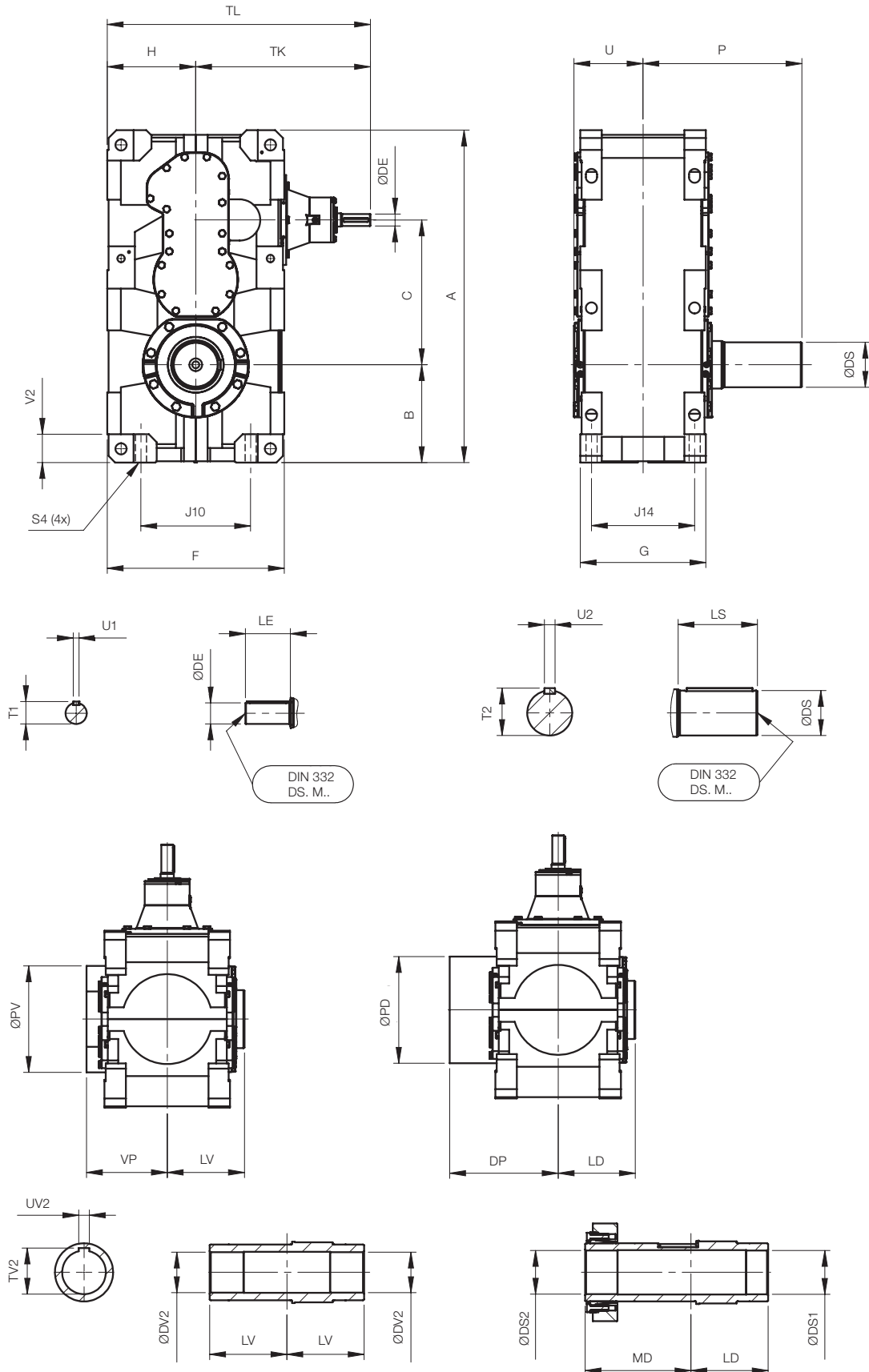
Hollow output shaft							
Size	ØDV2	LV	ØPV	TV2	UV2	VP	kg
W01	75 H8	173	182	79,9	20 JS9	181,25	213,6
W02	85 H8	176	210	90,4	22 JS9	181	235,3
W03	95 H8	190	224	100,4	25 JS9	197	319,7
W04	105 H8	194	236	111,4	28 JS9	201	356
W05	115 H8	222	305	122,4	32 JS9	265	489
W06	125 H8	224	320	132,4	32 JS9	265	548
W07	135 H8	256	350	143,4	36 JS9	305	840
W08	150 H8	256	380	158,4	36 JS9	305	958
W09	165 H8	292	400	174,4	40 JS9	345	1,201
W10	165 H8	292	400	174,4	40 JS9	345	1,278
W11	180 H8	319	460	190,4	45 JS9	370	1,697
W12	190 H8	319	460	200,4	45 JS9	370	1,805
W13	210 H8	352	520	221,4	50 JS9	400	2,331
W14	210 H8	352	560	221,4	50 JS9	400	2,518
W15	230 H8	400	560	241,4	50 JS9	460	2,911
W16	240 H8	400	600	252,4	56 JS9	460	3,155

Output shaft shrink disc							
Size	ØDS1	ØDS2	ØPD	LD	MD	DP	kg
W01	81 H9	80 H7	230	173	261	267,5	215,8
W02	91 H9	90 H7	240	176	264	272,25	236,2
W03	101 H9	100 H7	268	190	286	294,25	322,8
W04	111 H9	110 H7	280	194	296	304,75	358,2
W05	121 H9	120 H7	305	222	328	370	492
W06	131 H9	130 H7	320	224	336	375	553
W07	141 H9	140 H7	350	256	364	415	848
W08	151 H9	150 H7	380	256	364	415	969
W09	166 H9	165 H7	400	292	400	450	1,234
W10	166 H9	165 H7	400	292	400	450	1,312
W11	181 H9	180 H7	460	319	451	500	1,723
W12	191 H9	190 H7	460	319	451	500	1,832
W13	211 H9	210 H7	520	352	498	550	2,362
W14	211 H9	210 H7	560	352	498	550	2,549
W15	231 H9	230 H7	560	400	570	630	2,948
W16	241 H9	240 H7	600	400	570	630	3,189

Dimensions and weight

Foot mounting (P4)

Right angle shafts T 4 stages



Dimensions and weight

Foot mounting (P4)

Right angle shafts T 4 stages

Size	A	B	C	F	G	H	J10	J14	P	S4 (4x)	U	V2	TK	TL
W03	778	215	338	450	300	225	305	245	400	Ø28	167	68	397	622
W04	852	250	377	450	300	225	300	245	404	Ø28	167	68	394	619
W05	913	250	398	530	360	265	335	290	432	Ø35	191	86	470	735
W06	1004	295	444	530	360	265	335	290	475	Ø35	191	86	470	735
W07	1140	355	470	630	425	315	400	340	506	Ø42	226	105	542	857
W08	1194	355	524	630	425	315	400	340	556	Ø42	226	105	542	857
W09	1253	370	548	670	475	335	415	390	592	Ø42	261	107	656	991
W10	1285	370	580	670	475	335	415	390	592	Ø42	261	107	656	991
W11	1412	420	617	750	515	375	455	420	612	Ø48	281	128	726	1101
W12	1447	420	652	750	515	375	455	420	662	Ø48	281	128	726	1101
W13	1597	465	707	850	570	425	610	440	702	M42x63	317	-	836	1261
W14	1637	465	747	850	570	425	610	440	762	M42x63	317	-	836	1261
W15	1711	495	766	900	630	450	600	510	810	M48x72	357	-	836	1286
W16	1751	495	806	900	630	450	600	510	810	M48x72	357	-	836	1286

Input shaft					
Size	ØDE	LE	T1	U1	DIN 332 DS. M..
W03	28 k6	60	31	8 h9	M10
W04	28 k6	60	31	8 h9	M10
W05	32 k6	80	35	10 h9	M12
W06	32 k6	80	35	10 h9	M12
W07	38 k6	80	41	10 h9	M12
W08	38 k6	80	41	10 h9	M12
W09	45 k6	110	48.5	14 h9	M16
W10	45 k6	110	48.5	14 h9	M16
W11	55 m6	110	59	16 h9	M20
W12	55 m6	110	59	16 h9	M20
W13	70 m6	140	74.5	20 h9	M20
W14	70 m6	140	74.5	20 h9	M20
W15	70 m6	140	74.5	20 h9	M20
W16	70 m6	140	74.5	20 h9	M20

Solid output shaft						
Size	ØDS	LS	T2	U2	DIN 332 DS. M..	kg
W03	100 m6	210	106	28 h9	M24	343,2
W04	110 m6	210	116	28 h9	M24	373,7
W05	120 m6	210	127	32 h9	M24	532
W06	130 m6	250	137	32 h9	M24	606
W07	140 m6	250	148	36 h9	M30	925
W08	160 m6	300	169	40 h9	M30	1,034
W09	170 m6	300	179	40 h9	M30	1,318
W10	170 m6	300	179	40 h9	M30	1,398
W11	180 m6	300	190	45 h9	M30	1,873
W12	190 m6	350	200	45 h9	M30	1,984
W13	210 m6	350	221	50 h9	M30	2,537
W14	230 m6	410	241	50 h9	M36	2,914
W15	230 m6	410	241	50 h9	M36	3,350
W16	240 m6	410	252	56 h9	M36	3,614

Hollow output shaft							
Size	ØDV2	LV	ØPV	TV2	UV2	VP	kg
W03	95 H8	190	224	100,4	25 JS9	197	317,4
W04	105 H8	194	236	111,4	28 JS9	201	337,2
W05	115 H8	222	305	122,4	32 JS9	265	483
W06	125 H8	224	320	132,4	32 JS9	265	542
W07	135 H8	256	350	143,4	36 JS9	305	838
W08	150 H8	256	380	158,4	36 JS9	305	956
W09	165 H8	292	400	174,4	40 JS9	345	1,196
W10	165 H8	292	400	174,4	40 JS9	345	1,273
W11	180 H8	319	460	190,4	45 JS9	370	1,686
W12	190 H8	319	460	200,4	45 JS9	370	1,794
W13	210 H8	352	520	221,4	50 JS9	400	2,334
W14	210 H8	352	560	221,4	50 JS9	400	2,521
W15	230 H8	400	560	241,4	50 JS9	460	2,925
W16	240 H8	400	600	252,4	56 JS9	460	3,169

Output shaft shrink disc							
Size	ØDS1	ØDS2	ØPD	LD	MD	DP	kg
W03	101 H9	100 H7	268	190	286	294,25	318,9
W04	111 H9	110 H7	280	194	296	304,75	339,4
W05	121 H9	120 H7	305	222	328	370	486
W06	131 H9	130 H7	320	224	336	375	547
W07	141 H9	140 H7	350	256	364	415	846
W08	151 H9	150 H7	380	256	364	415	967
W09	166 H9	165 H7	400	292	400	450	1,229
W10	166 H9	165 H7	400	292	400	450	1,307
W11	181 H9	180 H7	460	319	451	500	1,712
W12	191 H9	190 H7	460	319	451	500	1,821
W13	211 H9	210 H7	520	352	498	550	2,365
W14	211 H9	210 H7	560	352	498	550	2,552
W15	231 H9	230 H7	560	400	570	630	2,962
W16	241 H9	240 H7	600	400	570	630	3,203

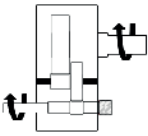
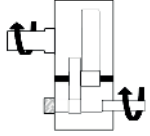
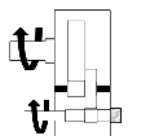
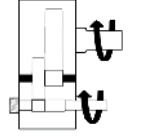
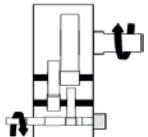
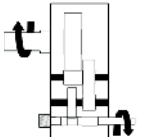
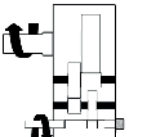
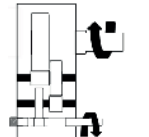
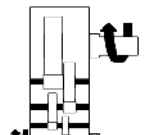
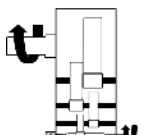
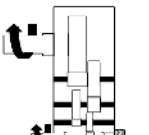
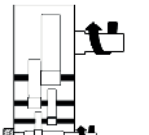
Accessories - complementary dimensions

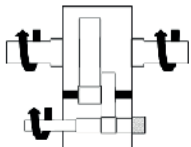
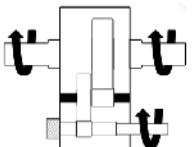
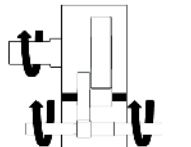
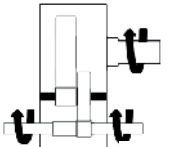
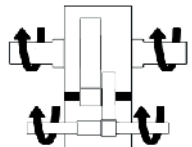
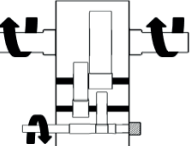
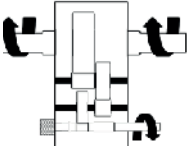
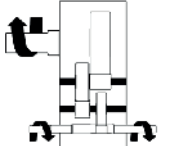
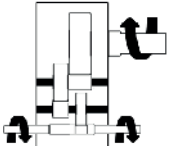
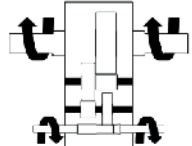
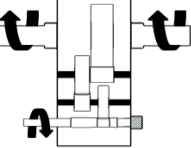
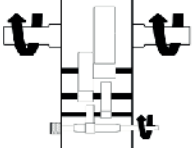
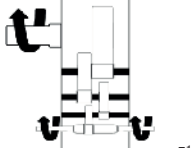
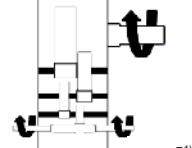
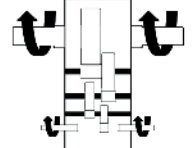
Backstop

The gearboxes can operate in both directions of rotation, except when they feature a backstop; in this case, the desired direction must be informed.

The following tables show the relation between the direction of rotation of the output shaft and the input shaft.

The position of output gear 5 or 6 influences the radial load capacity of the output shaft (see the Radial Forces table on page 11). When the gearbox has a double-end input shaft, a backstop in an alternative position can be used (contact WEG).

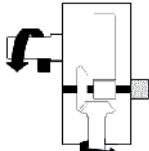
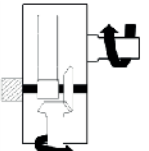
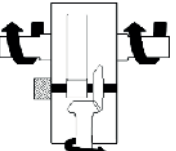
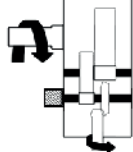
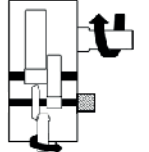
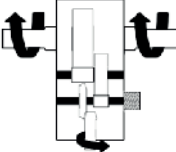
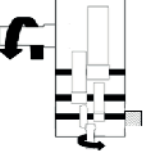
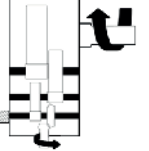
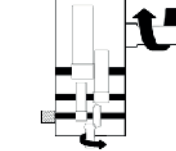
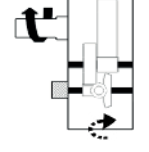
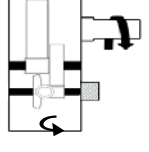
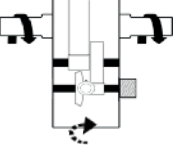
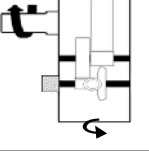
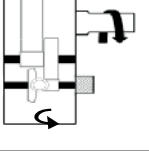
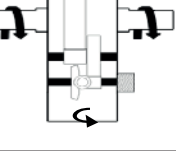
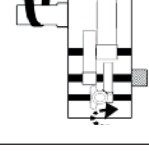
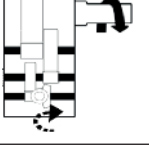
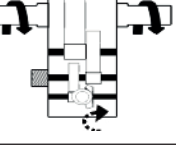
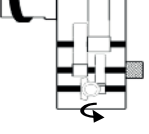
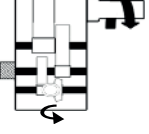
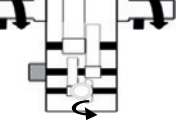
Stages		Side 1 - Side 2	Side 2 - Side 1	Side 1 - Side 1	Side 2 - Side 2
Parallel	2	 5 ¹⁾	 5 ¹⁾	 6 ¹⁾	 6 ¹⁾
	3	 6 ¹⁾	 6 ¹⁾	 5 ¹⁾	 5 ¹⁾
	4	 5 ¹⁾	 5 ¹⁾	 6 ¹⁾	 6 ¹⁾

Stages		Side 1 - Side 1 / Side 2	Side 2 - Side 1 / Side 2	Side 1 / Side 2 - Side 1	Side 1 / Side 2 - Side 2	Side 1 / Side 2 - Side 1 / Side 2
Parallel	2	 5 ¹⁾	 5 ¹⁾	 5 ¹⁾	 5 ¹⁾	 5 ¹⁾
	3	 6 ¹⁾	 6 ¹⁾	 5 ¹⁾	 6 ¹⁾	 6 ¹⁾
	4	 5 ¹⁾	 5 ¹⁾	 5 ¹⁾	 5 ¹⁾	 5 ¹⁾

Note: 1) Output gear position.

Accessories - complementary dimensions

Backstop

Stages		1 - Side 1	1 - Side 2	1 - Side 1 / Side 2
Right angle (R)	2	 5 ¹⁾	 5 ¹⁾	
	3	 5 ¹⁾	 5 ¹⁾	
	4	 5 ¹⁾	 5 ¹⁾	
Right angle (T)	3	 5 ¹⁾	 5 ¹⁾	
		 5 ¹⁾	 5 ¹⁾	
	4	 5 ¹⁾	 5 ¹⁾	
		 5 ¹⁾	 5 ¹⁾	

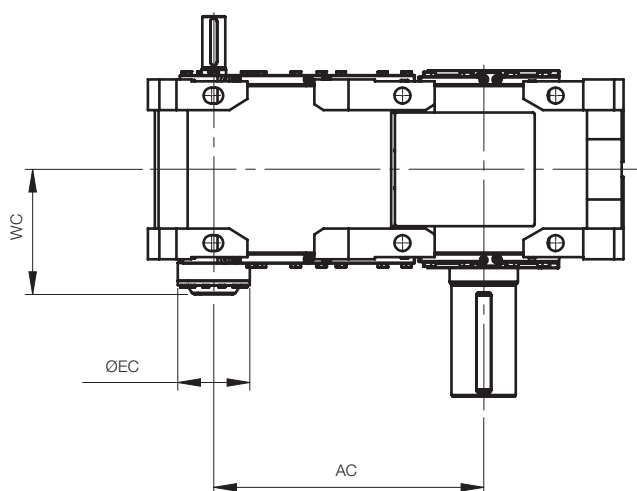
Note: 1) Output gear position.

Accessories - complementary dimensions

Backstop

The backstop is a device coupled to the gearbox that allows rotation in only one direction. The backstop used in the WG50 is the FXM with the "lift-off X" system, which consists of a sprag, cage with cores that are activated by centrifugal force. When the equipment is in operation and the backstop is working in free rotation, the blocking cores do not touch the edges of the backstop, remaining so until the rotation is reduced and the cores are ready to lock the system. The backstop is lubricated by the gearbox oil. The minimum speed on the input shaft for backstop is according to tables (from page 168 to 170). Parallel shafts with backstop installed on the input shaft.

Parallel shafts 2, 3 and 4 stages



2 stages				
Size	AC	ØEC	WC	rpm min
W01	286	132	193	700
W02	320	132	215	700
W03	338	175	255	430
W04	377	175	255	430
W05	398	190	270	400
W06	444	190	270	400
W07	470	210	317	320
W08	524	210	317	320
W09	548	245	357	320
W10	580	245	357	320
W11	617	290	390	250
W12	652	290	390	250
W13	707	290	422	250
W14	748	290	422	250
W15	766	310	460	240
W16	806	310	460	240

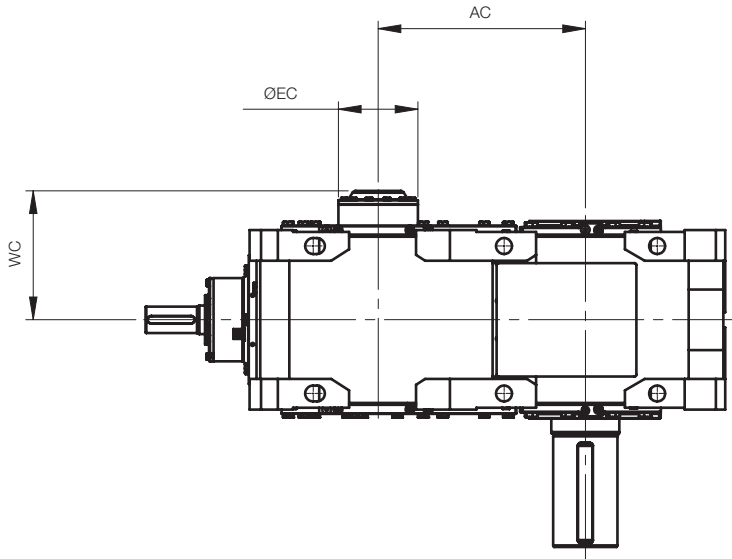
3 stages				
Size	AC	ØEC	WC	rpm min
W01	376	95	192	820
W02	410	95	192	820
W03	442	110	235	820
W04	481	110	235	820
W05	518	140	243	670
W06	564	140	243	670
W07	612	150	285	630
W08	666	150	285	630
W09	714	190	331	400
W10	746	190	331	400
W11	813	210	389	320
W12	848	210	389	320
W13	933	210	393	320
W14	973	210	393	320
W15	992	210	423	320
W16	1032	210	423	320

4 stages				
Size	AC	ØEC	WC	rpm min
W03	442	90	202	860
W04	481	110	235	860
W05	518	95	241	820
W06	564	95	241	820
W07	612	105	278	750
W08	666	105	278	750
W09	714	132	304	700
W10	746	132	304	700
W11	813	132	324	700
W12	848	132	324	700
W13	933	150	361	630
W14	973	150	361	630
W15	992	175	406	430
W16	1032	175	406	430

Accessories - complementary dimensions

Backstop

Right angle shafts R 2, 3 and 4 stages



2 stages				
Size	AC	ØEC	WC	rpm min ⁻¹
W01	166	175	235	1354,5
W02	200	175	235	1354,5
W03	196	190	262	1260
W04	235	190	262	1260
W05	232	210	280	1008
W06	278	210	280	1008
W07	274	245	329	1008
W08	328	245	329	1008
W09	322	290	370	787,5
W10	354	290	370	787,5
W11	355	310	394	756
W12	390	310	394	756
W13	405	310	426	756
W14	445	310	426	756
W15	440	430	516	756
W16	480	430	516	756

3 stages				
Size	AC	ØEC	WC	rpm min ⁻¹
W01	286	132	216	1720**
W02	320	132	216	1720**
W03	338	150	242	1550**
W04	377	150	242	1550**
W05	398	175	263	1720
W06	444	175	263	1720
W07	470	190	307	1600
W08	524	190	307	1600
W09	548	210	341	1280
W10	580	210	341	1280
W11	617	245	402	1280
W12	652	245	402	1280
W13	707	290	447	1000
W14	747	290	447	1000
W15	766	290	477	1000
W16	806	290	477	1000

4 stages				
Size	AC	ØEC	WC	rpm min ⁻¹
W03	442	90	202	*
W04	481	110	235	*
W05	518	120	233	*
W06	564	120	233	*
W07	612	132	280	*
W08	666	132	280	*
W09	714	150	309	*
W10	746	150	309	*
W11	813	175	344	1720
W12	848	175	344	1720
W13	933	190	383	1600
W14	973	190	383	1600
W15	992	210	423	1280
W16	1032	210	423	1280

Notes: backstop installed on the intermediate shaft.

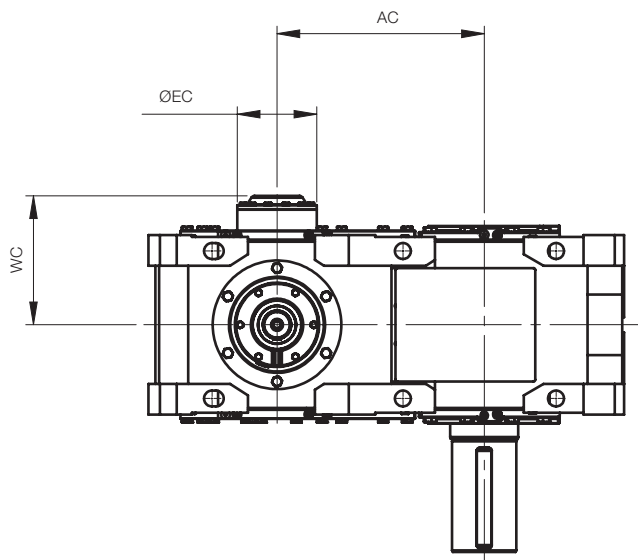
(*) = Consult WEG.

1) Depending on the ratio, a speed below the table specification may be allowed (contact WEG).

Accessories - complementary dimensions

Backstop

Right angle shafts T 3 and 4 stages



3 stages				
Size	AC	ØEC	WC	rpm min ¹⁾
W01	286	132	216	1720**
W02	320	132	216	1720**
W03	338	150	242	1550**
W04	377	150	242	1550**
W05	398	175	263	1720
W06	444	175	263	1720
W07	470	190	307	1600
W08	524	190	307	1600
W09	548	210	341	1280
W10	580	210	341	1280
W11	617	245	402	1280
W12	652	245	402	1280
W13	707	290	447	1000
W14	747	290	447	1000
W15	766	290	477	1000
W16	806	290	477	1000

4 stages				
Size	AC	ØEC	WC	rpm min ¹⁾
W03	442	90	202	*
W04	481	110	235	*
W05	518	120	233	*
W06	564	120	233	*
W07	612	132	280	*
W08	666	132	280	*
W09	714	150	309	*
W10	746	150	309	*
W11	813	175	344	1720
W12	848	175	344	1720
W13	933	190	383	1600
W14	973	190	383	1600
W15	992	210	423	1280
W16	1032	210	423	1280

Notes: Backstop installed on the intermediate shaft.

(*) = Consult WEG.

1) Depending on the ratio, a speed below the table specification may be allowed (contact WEG).

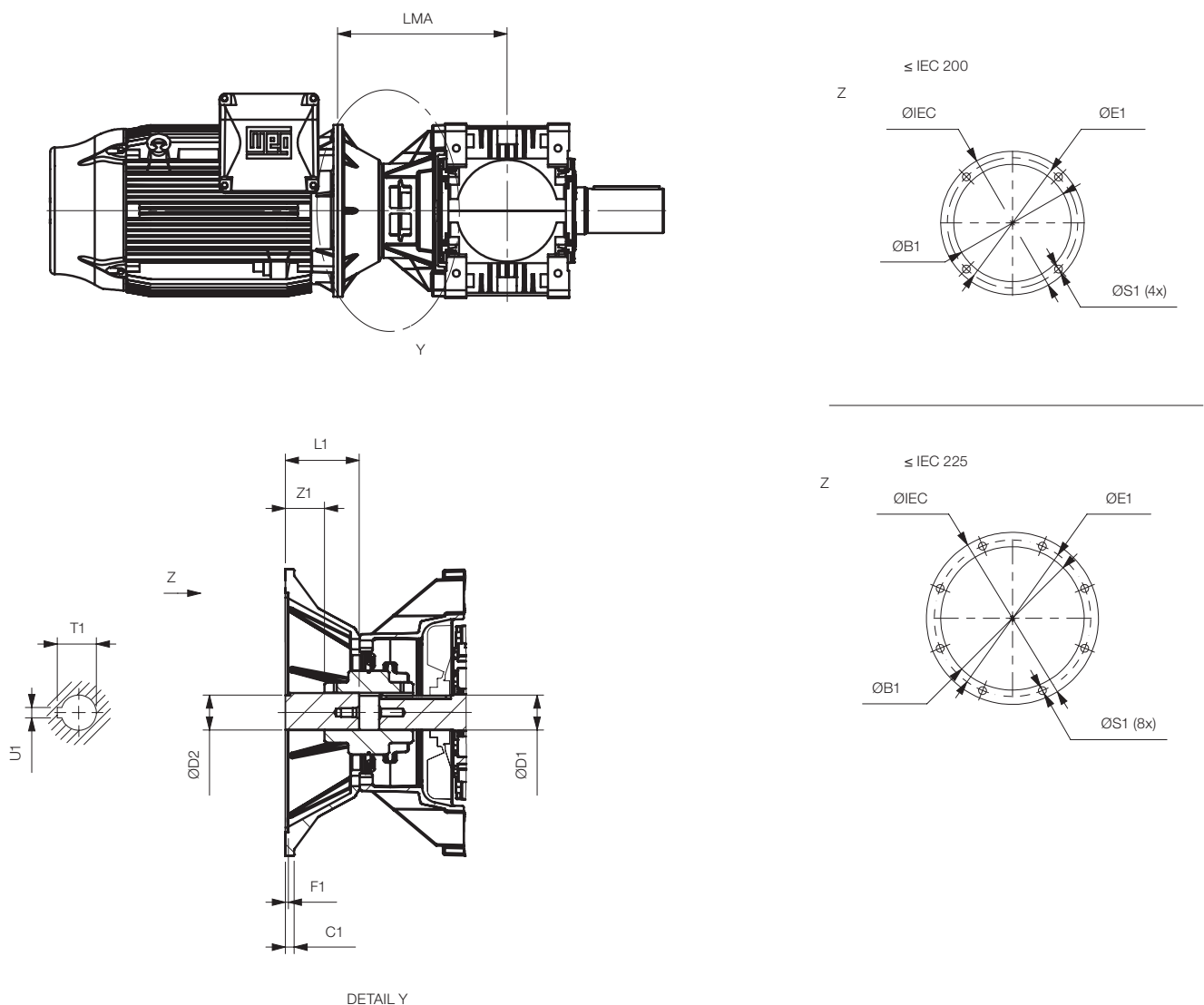
Accessories - complementary dimensions

Flange for IEC motors (5), frames 100 to 355

- They can be supplied with fan for 2 and 3 stages.
- Motor weight limits according to page 193.
- Dimension according to pages 171 to 186.
- With coupling included.
- The lantern flange is supplied as standard with coupling with rubber element = NBR (ambient temperature -20 °C to 80 °C) or optional with 98ShA polyurethane element (ambient temperature -50 °C to 120 °C). For hazardous areas, the polyurethane option should be used.
- Only consider the gearbox weight in the tables on pages 172 to 186. For the motor weight, refer to the manufacturer's catalogue.

IEC motor input flange

Parallel Shafts 2 Stages



Accessories - complementary dimensions

IEC motor input flange

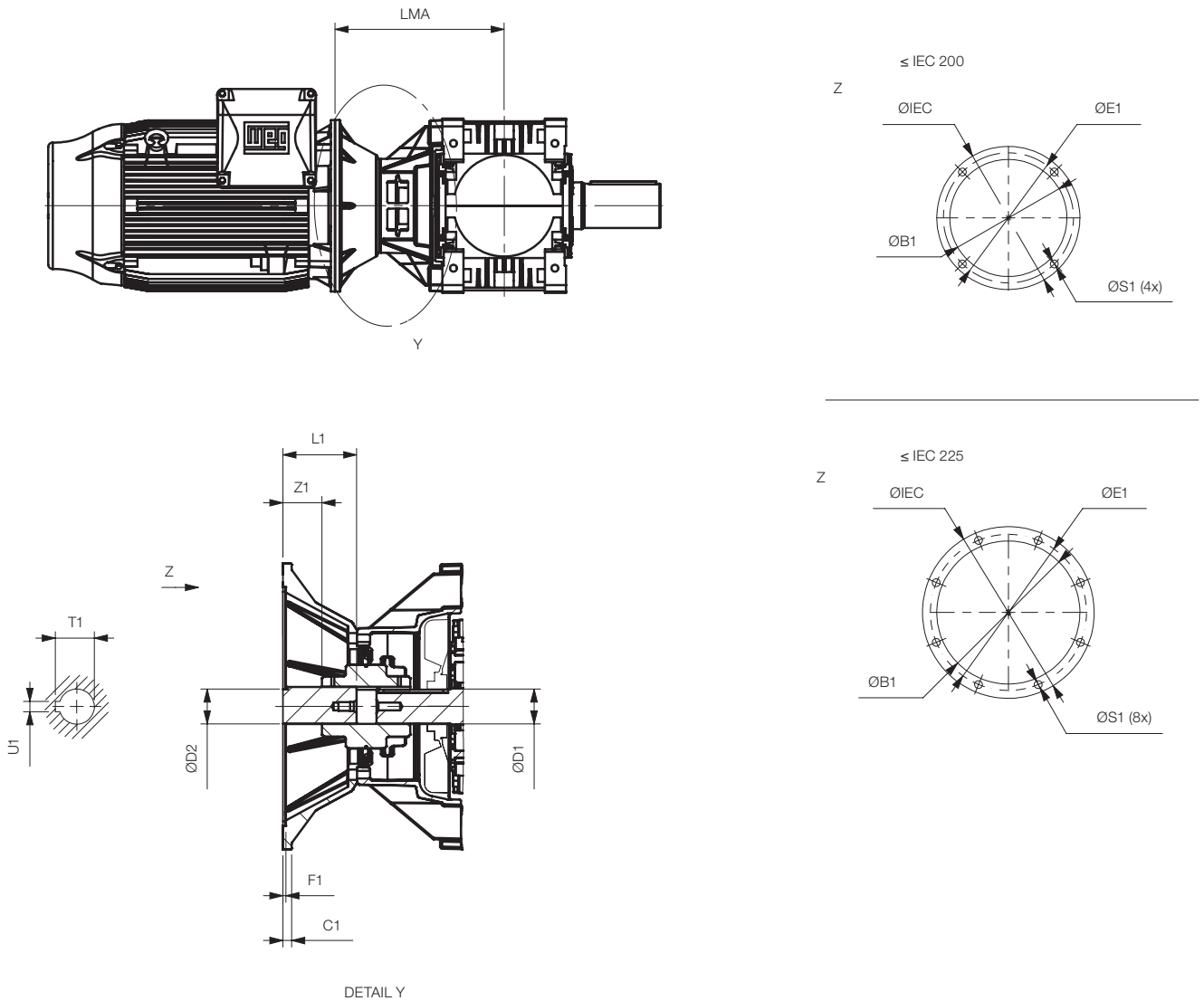
Parallel shafts 2 stages

Size	IEC	ØIEC	ØB1	C1	ØD1	ØD2	ØE1	F1	L1	ØS1	T1	U1	Z1	LMA	kg
W01	160	350	250 H7	18	40	42 H7	300	6	110	19 (8x)	45,3	12 JS9	60	401	247,7
	180	350	250 H7	18	40	48 H7	300	6	110	19 (8x)	51,8	14 JS9	60	401	247,5
	200	400	300 H7	18	40	55 H7	350	6	110	19 (8x)	59,3	16 JS9	37	401	254
	225	450	350 H7	20	40	60 H7	400	6	140	19 (8x)	43,3	18 JS9	79	435	261,8
	250	550	450 H7	20	40	65 H7	500	6	140	19 (8x)	69,4	18 JS9	65	460	272,8
W02	160	350	250 H7	18	40	42 H7	300	6	110	19 (8x)	45,3	12 JS9	60	401	276,7
	180	350	250 H7	18	40	48 H7	300	6	110	19 (8x)	51,8	14 JS9	60	401	276,5
	200	400	300 H7	18	40	55 H7	350	6	110	19 (8x)	59,3	16 JS9	37	401	283
	225	450	350 H7	20	40	60 H7	400	6	140	19 (8x)	43,3	18 JS9	79	435	290,8
	250	550	450 H7	20	40	65 H7	500	6	140	19 (8x)	69,4	18 JS9	65	460	301,8
W03	200	400	300 H7	18	50	55 H7	350	6	110	19 (8x)	59,3	16 JS9	60	425	413,9
	225	450	350 H7	20	50	60 H7	400	6	140	19 (8x)	64,4	18 JS9	105	459	427,3
	250	550	450 H7	20	50	65 H7	500	6	140	19 (8x)	69,4	18 JS9	65	484	438,2
	280	650	450 H7	20	50	75 H7	500	6	139,5	19 (8x)	79,9	20 JS9	84	484	446,3
W04	200	400	300 H7	18	50	55 H7	350	6	110	19 (8x)	54,8	16 JS9	60	425	410,1
	225	450	350 H7	20	50	60 H7	400	6	140	19 (8x)	64,4	18 JS9	105	459	418,1
	250	550	450 H7	20	50	65 H7	500	6	140	19 (8x)	69,4	18 JS9	65	484	434,4
	250	650	450 H7	20	50	75 H7	500	6	139,5	19 (8x)	79,9	20 JS9	84	484	427,1
W05	250	550	450 H7	20	60	65 H7	500	6	140	19 (8x)	69,4	18 JS9	67	525	575
	280	550	450 H7	20	60	75 H7	500	6	140	19 (8x)	79,9	20 JS9	67	525	575
	315S-L	660	550 H7	20	60	80 H7	600	7	170	19 (8x)	85,4	22 JS9	87	555	600
W06	250	550	450 H7	20	60	65 H7	500	6	140	19 (8x)	69,4	18 JS9	67	525	642
	280	550	450 H7	20	60	75 H7	500	6	140	19 (8x)	79,9	20 JS9	67	525	642
	315S-L	660	550 H7	20	60	80 H7	600	7	170	19 (8x)	85,4	22 JS9	87	555	667
W07	250	550	450 H7	20	70	65 H7	500	6	140	19 (8x)	69,4	18 JS9	69,5	560	935
	280	550	450 H7	20	70	75 H7	500	6	140	19 (8x)	79,9	20 JS9	71,5	560	935
	315S-L	660	550 H7	20	70	80 H7	600	7	170	19 (8x)	85,4	22 JS9	83	590	968
	315	660	550 H7	20	70	80 H7	600	7	170	19 (8x)	85,4	22 JS9	83	590	968
	355	800	680 H7	20	70	100 H7	740	7	210	19 (8x)	106,4	28 JS9	113,5	650	1,010
W08	250	550	450 H7	20	70	65 H7	500	6	140	19 (8x)	69,4	18 JS9	69,5	560	1,040
	280	550	450 H7	20	70	75 H7	500	6	140	19 (8x)	79,9	20 JS9	71,5	560	1,040
	315S-L	660	550 H7	20	70	80 H7	600	7	170	19 (8x)	85,4	22 JS9	83	590	1,073
	315	660	550 H7	20	70	80 H7	600	7	170	19 (8x)	85,4	22 JS9	83	590	1,073
	355	800	680 H7	20	70	100 H7	740	7	210	19 (8x)	106,4	28 JS9	113,5	650	1,115
W09	315S-L	660	550 H7	20	80	80 H7	600	7	170	19 (8x)	85,4	22 JS9	90	650	1,293
	315	660	550 H7	20	80	80 H7	600	7	170	19 (8x)	85,4	22 JS9	90	650	1,293
	355	800	680 H7	20	80	100 H7	740	7	210	19 (8x)	106,4	28 JS9	106,5	710	1,343
W10	315S-L	660	550 H7	20	80	80 H7	600	7	170	19 (8x)	85,4	22 JS9	90	650	1,379
	315	660	550 H7	20	80	80 H7	600	7	170	19 (8x)	85,4	22 JS9	90	650	1,379
	355	800	680 H7	20	80	100 H7	740	7	210	19 (8x)	106,4	28 JS9	106,5	710	1,429
W11	315S-L	660	550 H7	20	95	80 H7	600	7	170	19 (8x)	85,4	22 JS9	86	670	1,810
	315	660	550 H7	20	95	80 H7	600	7	170	19 (8x)	85,4	22 JS9	86	670	1,810
	355	800	680 H7	20	95	100 H7	740	7	210	19 (8x)	106,4	28 JS9	126,5	730	1,852
W12	315S-L	660	550 H7	20	95	80 H7	600	7	170	19 (8x)	85,4	22 JS9	86	670	1,921
	315	660	550 H7	20	95	80 H7	600	7	170	19 (8x)	85,4	22 JS9	86	670	1,921
	355	800	680 H7	20	95	100 H7	740	7	210	19 (8x)	106,4	28 JS9	126,5	730	1,963
W13	315S-L	660	550 H7	20	105	80 H7	600	7	170	19 (8x)	85,4	22 JS9	74,5	735	2,464
	315	660	550 H7	20	105	80 H7	600	7	170	19 (8x)	85,4	22 JS9	74,5	735	2,464
	355	800	680 H7	20	105	100 H7	740	7	210	19 (8x)	106,4	28 JS9	111,5	795	2,489
W14	315S-L	660	550 H7	20	105	80 H7	600	7	170	19 (8x)	85,4	22 JS9	74,5	735	2,819
	315	660	550 H7	20	105	80 H7	600	7	170	19 (8x)	85,4	22 JS9	74,5	735	2,819
	355	800	680 H7	20	105	100 H7	740	7	210	19 (8x)	106,4	28 JS9	111,5	795	2,844
W15	355	800	680 H7	20	115	100 H7	740	7	210	19 (8x)	106,4	28 JS9	118	861	3,295
W16	355	800	680 H7	20	115	100 H7	740	7	210	19 (8x)	106,4	28 JS9	118	861	3,570

Accessories - complementary dimensions

IEC motor input flange

Parallel shafts 3 stages



Size	IEC	ØIEC	ØB1	C1	ØD1	ØD2	ØE1	F1	L1	ØS1	T1	U1	Z1	LMA	kg
W01	132	300	230 H7	14	32	38 H7	265	5	96,5	10,2 (4x)	41,3	10 JS9	41	333	194,8
	160	350	250 H7	18	32	42 H7	300	6	110	19 (4x)	45,3	12 JS9	60	383	208
	180	350	250 H7	18	32	48 H7	300	6	110	19 (4x)	51,8	14 JS9	60	383	257,8
	200	400	300 H7	18	32	55 H7	350	6	110	19 (4x)	59,3	16 JS9	37	383	214,4
	225	450	350 H7	20	32	60 H7	400	6	140	19 (4x)	43,3	12 JS9	79	417	222,2
W02	132	300	230 H7	14	40	38 H7	265	5	80	10,2 (4x)	41,3	10 JS9	41	351	263,4
	160	350	250 H7	18	40	42 H7	300	6	110	19 (4x)	45,3	12 JS9	72	401	274
	180	350	250 H7	18	40	48 H7	300	6	110	19 (4x)	51,8	14 JS9	70	401	273,8
	200	400	300 H7	18	40	55 H7	350	6	110	19 (4x)	59,3	16 JS9	45	401	280,4
	225	450	350 H7	20	40	60 H7	400	6	140	19 (4x)	64,4	18 JS9	75	435	288,2
W03	132	300	230 H7	14	38	38 H7	265	5	80	10,2 (4x)	41,3	10 JS9	14	358	377,5
	160	350	250 H7	18	38	42 H7	300	6	110	19 (4x)	45,3	12 JS9	60	408	386
	180	350	250 H7	18	38	48 H7	300	6	110	19 (4x)	51,8	14 JS9	60	408	385,8
	200	400	300 H7	18	38	55 H7	350	6	110	19 (4x)	59,3	16 JS9	60	408	386,7
	225	450	350 H7	20	38	60 H7	400	6	140	19 (4x)	64,4	18 JS9	75	442	400,2
	250	550	450 H7	20	38	65 H7	500	6	140	19 (4x)	69,4	18 JS9	65	467	411,7
	280	550	450 H7	20	38	75 H7	500	6	139,5	19 (4x)	79,9	20 JS9	4,5	467	437,8
W04	132	300	230 H7	14	38	38 H7	265	5	80	10,2 (4x)	41,3	10 JS9	10,5	358	421
	160	350	250 H7	18	38	42 H7	300	6	110	19 (4x)	45,3	12 JS9	56	408	469,1
	180	350	250 H7	18	38	48 H7	300	6	110	19 (4x)	45,3	12 JS9	56	408	429,5
	200	400	300 H7	18	38	55 H7	350	6	110	19 (4x)	59,3	16 JS9	41	408	434,2
	225	450	350 H7	14	38	60 H7	400	6	140	19 (4x)	64,4	18 JS9	66,5	442	445,8
	250	550	450 H7	20	38	65 H7	500	6	140	19 (4x)	69,4	18 JS9	71	467	453
	280	550	450 H7	20	38	75 H7	500	6	139,5	19 (4x)	79,9	20 JS9	50,5	467	459,5

Accessories - complementary dimensions

IEC motor input flange

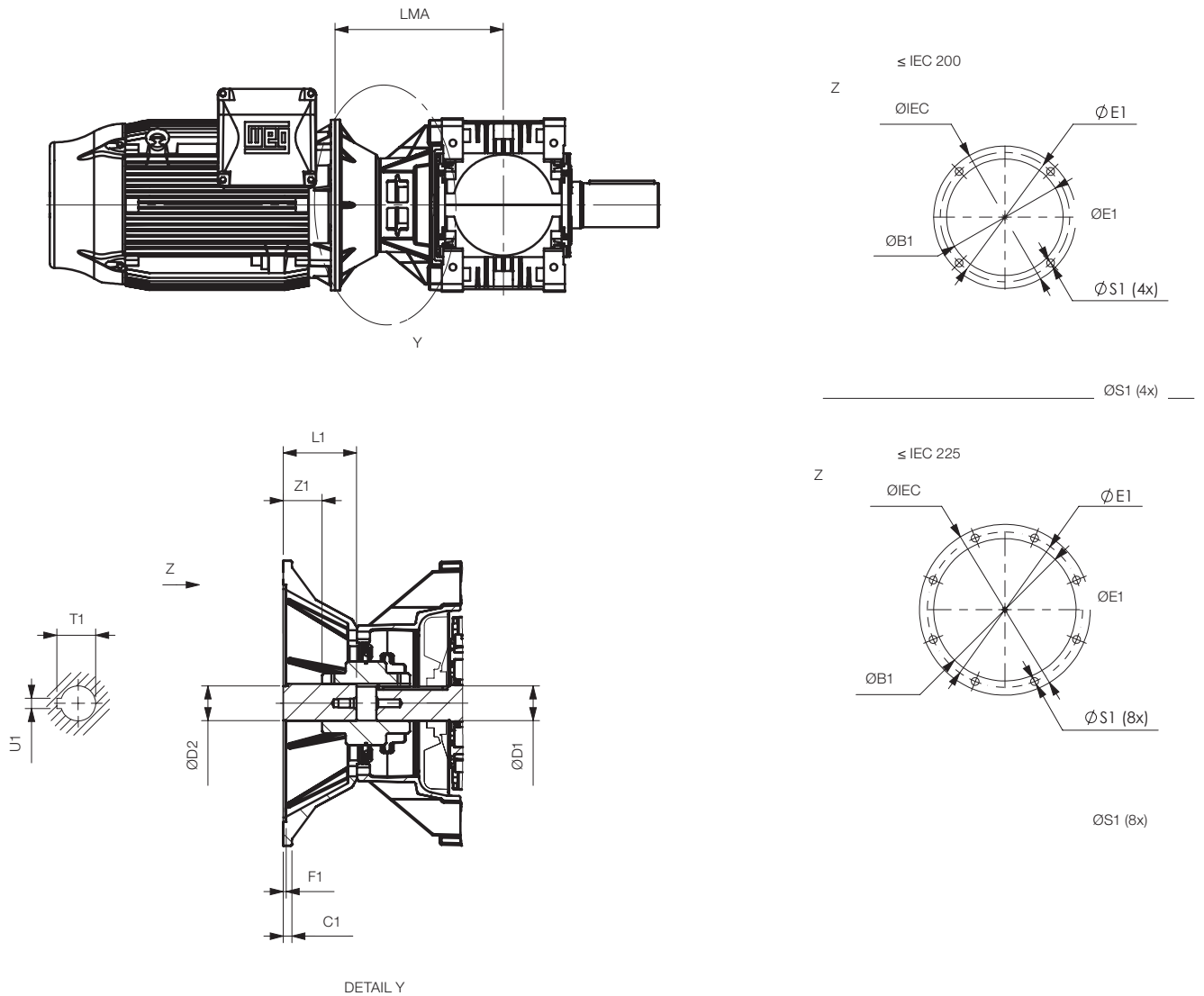
Parallel shafts 3 stages

Size	IEC	ØIEC	ØB1	C1	ØD1	ØD2	ØE1	F1	L1	ØS1	T1	U1	Z1	LMA	kg
W05	160	350	250 H7	18	45	42 H7	300	6	110	19 (4x)	45.3	12 JS9	71.5	451	577
	180	350	250 H7	18	45	48 H7	300	6	110	19 (4x)	51.8	14 JS9	71.5	451	577
	200	400	300 H7	20	45	55 H7	350	6	110	19 (4x)	59.3	16 JS9	60.5	451	582
	225	450	350 H7	20	45	60 H7	400	6	140	19 (8x)	64.4	18 JS9	67	485	593
	250	550	450 H7	20	45	65 H7	500	6	140	19 (8x)	69.4	18 JS9	79.5	510	607
	280	550	450 H7	20	45	75 H7	500	6	140	19 (8x)	79.9	20 JS9	79.5	510	607
W06	160	350	250 H7	18	45	42 H7	300	6	110	19 (4x)	45.3	12 JS9	71.5	451	645
	180	350	250 H7	18	45	48 H7	300	6	110	19 (4x)	51.8	14 JS9	71.5	451	645
	200	400	300 H7	20	45	55 H7	350	6	110	19 (4x)	59.3	16 JS9	60.5	451	650
	225	450	350 H7	20	45	60 H7	400	6	140	19 (8x)	64.4	18 JS9	67	485	661
	250	550	450 H7	20	45	65 H7	500	6	140	19 (8x)	69.4	18 JS9	79.5	510	675
	280	550	450 H7	20	45	75 H7	500	6	140	19 (8x)	79.9	20 JS9	79.5	510	675
W07	160	350	250 H7	18	50	42 H7	300	6	110	19 (4x)	45.3	12 JS9	61	488	957
	180	350	250 H7	18	50	48 H7	300	6	110	19 (4x)	51.8	14 JS9	61	488	957
	200	400	300 H7	20	50	55 H7	350	6	110	19 (4x)	59.3	16 JS9	62.5	488	962
	225	450	350 H7	20	50	60 H7	400	6	140	19 (8x)	64.4	18 JS9	76.5	522	973
	250	550	450 H7	20	50	65 H7	500	6	140	19 (8x)	69.4	18 JS9	81.5	547	987
	280	550	450 H7	20	50	75 H7	500	6	140	19 (8x)	79.9	20 JS9	81.5	547	987
W08	315S-L	660	550 H7	20	50	80 H7	600	7	170	19 (8x)	85.4	22 JS9	73	577	1,021
	160	350	250 H7	18	50	42 H7	300	6	110	19 (4x)	45.3	12 JS9	61	488	1,066
	180	350	250 H7	18	50	48 H7	300	6	110	19 (4x)	51.8	14 JS9	61	488	1,066
	200	400	300 H7	20	50	55 H7	350	6	110	19 (4x)	59.3	16 JS9	62.5	488	1,071
	225	450	350 H7	20	50	60 H7	400	6	140	19 (8x)	64.4	18 JS9	76.5	522	1,082
	250	550	450 H7	20	50	65 H7	500	6	140	19 (8x)	69.4	18 JS9	81.5	547	1,096
W09	280	550	450 H7	20	50	75 H7	500	6	140	19 (8x)	79.9	20 JS9	81.5	547	1,096
	315S-L	660	550 H7	20	50	80 H7	600	7	170	19 (8x)	85.4	22 JS9	73	577	1,130
	200	400	300 H7	20	60	55 H7	350	6	110	19 (4x)	59.3	16 JS9	40.5	531	1,357
	225	450	350 H7	20	60	60 H7	400	6	140	19 (8x)	64.4	18 JS9	62.5	565	1,368
	250	550	450 H7	20	60	65 H7	500	6	140	19 (8x)	69.4	18 JS9	69.5	590	1,382
	280	550	450 H7	20	60	75 H7	500	6	140	19 (8x)	79.9	20 JS9	59.5	590	1,391
W10	315S-L	660	550 H7	20	60	80 H7	600	7	170	19 (8x)	85.4	22 JS9	87	620	1,407
	315	660	550 H7	20	60	80 H7	600	7	170	19 (8x)	85.4	22 JS9	87	620	1,407
	200	400	300 H7	20	60	55 H7	350	6	110	19 (4x)	59.3	16 JS9	40.5	531	1,437
	225	450	350 H7	20	60	60 H7	400	6	140	19 (8x)	64.4	18 JS9	62.5	565	1,448
	250	550	450 H7	20	60	65 H7	500	6	140	19 (8x)	69.4	18 JS9	69.5	590	1,462
	280	550	450 H7	20	60	75 H7	500	6	140	19 (8x)	79.9	20 JS9	59.5	590	1,471
W11	315S-L	660	550 H7	20	60	80 H7	600	7	170	19 (8x)	85.4	22 JS9	87	620	1,487
	315	660	550 H7	20	60	80 H7	600	7	170	19 (8x)	85.4	22 JS9	87	620	1,487
	225	450	350 H7	20	65	60 H7	400	6	140	19 (8x)	64.4	18 JS9	65.5	586	1,932
	250	550	450 H7	20	65	65 H7	500	6	140	19 (8x)	69.4	18 JS9	70.5	611	1,948
	280	550	450 H7	20	65	75 H7	500	6	140	19 (8x)	79.9	20 JS9	70.5	611	1,957
	315S-L	660	550 H7	20	65	80 H7	600	7	170	19 (8x)	85.4	22 JS9	82	641	1,982
W12	315	660	550 H7	20	65	80 H7	600	7	170	19 (8x)	85.4	22 JS9	82	641	1,982
	355	800	680 H7	20	65	100 H7	740	7	210	19 (8x)	106.4	28 JS9	119	701	2,025
	225	450	350 H7	20	65	60 H7	400	6	140	19 (8x)	64.4	18 JS9	65.5	586	2,043
	250	550	450 H7	20	65	65 H7	500	6	140	19 (8x)	69.4	18 JS9	70.5	611	2,059
	280	550	450 H7	20	65	75 H7	500	6	140	19 (8x)	79.9	20 JS9	70.5	611	2,068
	315S-L	660	550 H7	20	65	80 H7	600	7	170	19 (8x)	85.4	22 JS9	82	641	2,093
W13	315	660	550 H7	20	65	80 H7	600	7	170	19 (8x)	85.4	22 JS9	82	641	2,093
	355	800	680 H7	20	65	100 H7	740	7	210	19 (8x)	106.4	28 JS9	119	701	2,136
	250	550	450 H7	20	75	65 H7	500	6	140	19 (8x)	69.4	18 JS9	74.5	645	2,593
	280	550	450 H7	20	75	75 H7	500	6	140	19 (8x)	79.9	20 JS9	66	645	2,601
	315S-L	660	550 H7	20	75	80 H7	600	7	170	19 (8x)	85.4	22 JS9	86	675	2,627
	315	660	550 H7	20	75	80 H7	600	7	170	19 (8x)	85.4	22 JS9	86	675	2,670
W14	355	800	680 H7	20	75	100 H7	740	7	210	19 (8x)	106.4	28 JS9	121.5	735	2,670
	250	550	450 H7	20	75	65 H7	500	6	140	19 (8x)	69.4	18 JS9	74.5	645	2,970
	280	550	450 H7	20	75	75 H7	500	6	140	19 (8x)	79.9	20 JS9	66	645	2,978
	315S-L	660	550 H7	20	75	80 H7	600	7	170	19 (8x)	85.4	22 JS9	86	675	3,004
	315	660	550 H7	20	75	80 H7	600	7	170	19 (8x)	85.4	22 JS9	86	675	3,047
	355	800	680 H7	20	75	100 H7	740	7	210	19 (8x)	106.4	28 JS9	121.5	735	3,047
W15	250	550	450 H7	20	75	65 H7	500	6	140	19 (8x)	69.4	18 JS9	64.5	684	3,467
	280	550	450 H7	20	75	75 H7	500	6	140	19 (8x)	79.9	20 JS9	69.5	684	3,467
	315S-L	660	550 H7	20	75	80 H7	600	7	170	19 (8x)	85.4	22 JS9	85	714	3,491
	315	660	550 H7	20	75	80 H7	600	7	170	19 (8x)	85.4	22 JS9	85	714	3,491
	355	800	680 H7	20	75	100 H7	740	7	210	19 (8x)	106.4	28 JS9	133.5	774	3,534
	W16	250	550	450 H7	20	75	65 H7	500	6	140	19 (8x)	69.4	18 JS9	64.5	684
280		550	450 H7	20	75	75 H7	500	6	140	19 (8x)	79.9	20 JS9	69.5	684	3,732
315S-L		660	550 H7	20	75	80 H7	600	7	170	19 (8x)	85.4	22 JS9	85	714	3,756
315		660	550 H7	20	75	80 H7	600	7	170	19 (8x)	85.4	22 JS9	85	714	3,756
355		800	680 H7	20	75	100 H7	740	7	210	19 (8x)	106.4	28 JS9	133.5	774	3,799

Accessories - complementary dimensions

IEC motor input flange

Parallel shafts 4 stages



Size	IEC	ØIEC	ØB1	C1	ØD1	ØD2	ØE1	F1	L1	ØS1	T1	U1	Z1	LMA	kg
W03	112	350	270 H7	18	25	28 H7	215	8	68	10,2 (4x)	27,3	8 JS9	21	326	401,5
	132	350	230 H7	18	25	38 H7	265	5	80	10,2 (4x)	41,3	10 JS9	44	326	400
	160	350	250 H7	18	25	42 H7	300	6	110	19 (4x)	45,8	14 JS9	87	303	408,3
	180	350	250 H7	18	25	48 H7	300	6	110	19 (4x)	45,8	14 JS9	87	408	408,3
W04	112	350	270 H7	18	25	28 H7	215	5	60	10,2 (4x)	27,3	8 JS9	13	326	424,5
	132	350	230 H7	18	25	38 H7	265	5	80	10,2 (4x)	41,3	8 JS9	44	326	423
	160	350	250 H7	18	25	42 H7	300	6	110	19 (4x)	45,8	14 JS9	87	408	431,4
	180	350	250 H7	18	25	48 H7	300	6	110	19 (4x)	45,8	14 JS9	87	408	431,4
W05	100	250	180 H7	18	30	28 H7	215	5	60	15 (4x)	31,3	8 JS9	34,5	379	570
	112	250	180 H7	18	30	28 H7	215	5	60	15 (4x)	31,3	8 JS9	34,5	379	570
	132	300	230 H7	18	30	38 H7	265	5	60	15 (4x)	41,3	10 JS9	42,5	400	571
	160	350	250 H7	18	30	42 H7	300	6	110	19 (4x)	45,3	12 JS9	77,5	451	580
	180	350	250 H7	18	30	48 H7	300	6	110	19 (4x)	51,8	14 JS9	77,5	451	580
W06	200	400	300 H7	20	30	55 H7	350	6	110	19 (4x)	59,3	16 JS9	65	451	585
	100	250	180 H7	18	30	28 H7	215	5	60	15 (4x)	31,3	8 JS9	34,5	379	644
	112	250	180 H7	18	30	28 H7	215	5	60	15 (4x)	31,3	8 JS9	34,5	379	644
	132	300	230 H7	18	30	38 H7	265	5	60	15 (4x)	41,3	10 JS9	42,5	400	645
	160	350	250 H7	18	30	42 H7	300	6	110	19 (4x)	45,3	12 JS9	77,5	451	654
180	350	250 H7	18	30	48 H7	300	6	110	19 (4x)	51,8	14 JS9	77,5	451	654	
200	400	300 H7	20	30	55 H7	350	6	110	19 (4x)	59,3	16 JS9	65	451	659	

Accessories - complementary dimensions

IEC motor input flange

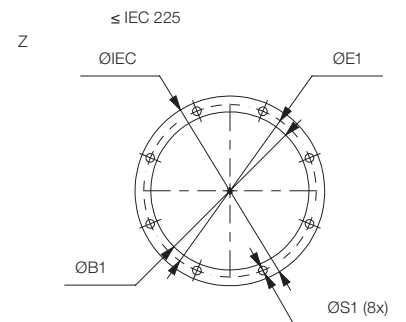
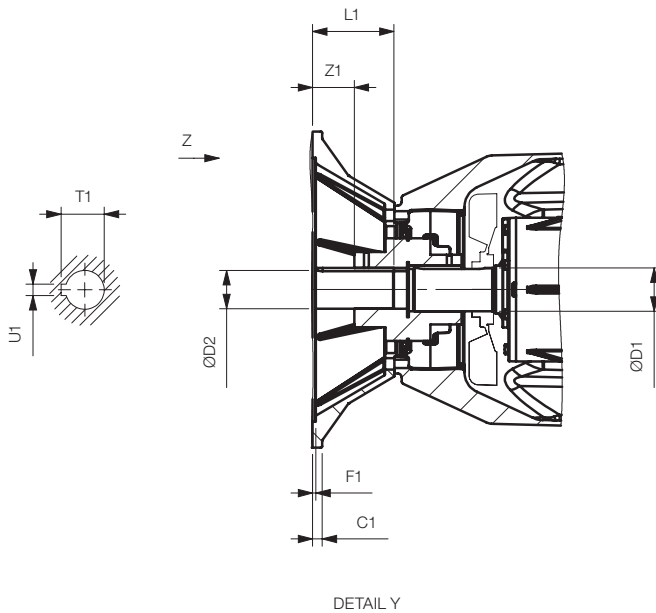
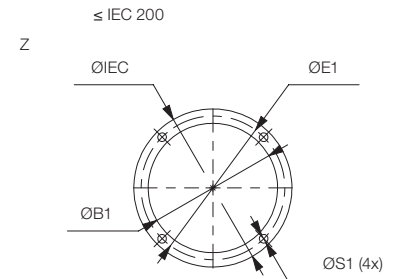
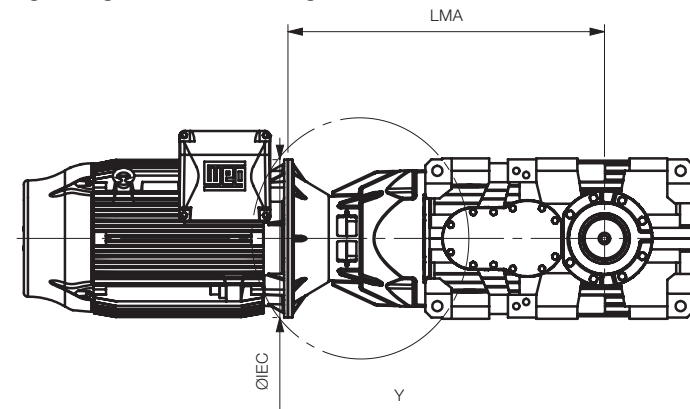
Parallel shafts 4 stages

Size	IEC	ØIEC	ØB1	C1	ØD1	ØD2	ØE1	F1	L1	ØS1	T1	U1	Z1	LMA	kg
W07	132	300	230 H7	18	35	38 H7	265	5	60	15 (4x)	41.3	10 JS9	46	437	963
	160	350	250 H7	18	35	42 H7	300	6	110	19 (4x)	45.3	12 JS9	75.5	488	972
	180	350	250 H7	18	35	48 H7	300	6	110	19 (4x)	51.8	14 JS9	75.5	488	972
	200	400	300 H7	20	35	55 H7	350	6	110	19 (4x)	59.3	16 JS9	66	488	977
	225	450	350 H7	20	35	60 H7	400	6	140	19 (8x)	64.4	18 JS9	89	522	989
	250	550	450 H7	20	35	65 H7	500	6	140	19 (8x)	69.4	18 JS9	90.5	547	1,003
W08	280	550	450 H7	20	35	75 H7	500	6	140	19 (8x)	79.9	20 JS9	90.5	547	1,012
	132	300	230 H7	18	35	38 H7	265	5	60	15 (4x)	41.3	10 JS9	46	437	1,072
	160	350	250 H7	18	35	42 H7	300	6	110	19 (4x)	45.3	12 JS9	75.5	488	1,081
	180	350	250 H7	18	35	48 H7	300	6	110	19 (4x)	51.8	14 JS9	75.5	488	1,081
	200	400	300 H7	20	35	55 H7	350	6	110	19 (4x)	59.3	16 JS9	66	488	1,086
	225	450	350 H7	20	35	60 H7	400	6	140	19 (8x)	64.4	18 JS9	89	522	1,098
W09	250	550	450 H7	20	35	65 H7	500	6	140	19 (8x)	69.4	18 JS9	90.5	547	1,112
	280	550	450 H7	20	35	75 H7	500	6	140	19 (8x)	79.9	20 JS9	90.5	547	1,121
	160	350	250 H7	18	40	42 H7	300	6	110	19 (4x)	45.3	12 JS9	72.5	531	1,366
	180	350	250 H7	18	40	48 H7	300	6	110	19 (4x)	51.8	14 JS9	72.5	531	1,366
	200	400	300 H7	20	40	55 H7	350	6	110	19 (4x)	59.3	16 JS9	53	531	1,370
	225	450	350 H7	20	40	60 H7	400	6	140	19 (8x)	64.4	18 JS9	77	565	1,382
W10	250	550	450 H7	20	40	65 H7	500	6	140	19 (8x)	69.4	18 JS9	77	590	1,396
	280	550	450 H7	20	40	75 H7	500	6	140	19 (8x)	79.9	20 JS9	67	590	1,405
	160	350	250 H7	18	40	42 H7	300	6	110	19 (4x)	45.3	12 JS9	72.5	531	1,446
	180	350	250 H7	18	40	48 H7	300	6	110	19 (4x)	51.8	14 JS9	72.5	531	1,446
	200	400	300 H7	20	40	55 H7	350	6	110	19 (4x)	59.3	16 JS9	53	531	1,450
	225	450	350 H7	20	40	60 H7	400	6	140	19 (8x)	64.4	18 JS9	77	565	1,462
W11	250	550	450 H7	20	40	65 H7	500	6	140	19 (8x)	69.4	18 JS9	77	590	1,476
	280	550	450 H7	20	40	75 H7	500	6	140	19 (8x)	79.9	20 JS9	67	590	1,485
	160	350	250 H7	18	45	42 H7	300	6	110	19 (4x)	45.3	12 JS9	73.5	554	1,921
	180	350	250 H7	18	45	48 H7	300	6	110	19 (4x)	51.8	14 JS9	73.5	554	1,921
	200	400	300 H7	20	45	55 H7	350	6	110	19 (4x)	59.3	16 JS9	59	552	1,925
	225	450	350 H7	20	45	60 H7	400	6	140	19 (8x)	64.4	18 JS9	78	586	1,937
W12	250	550	450 H7	20	45	65 H7	500	6	140	19 (8x)	69.4	18 JS9	88	611	1,951
	280	550	450 H7	20	45	75 H7	500	6	140	19 (8x)	79.9	20 JS9	83	611	1,960
	160	350	250 H7	18	45	42 H7	300	6	110	19 (4x)	45.3	12 JS9	73.5	554	2,032
	180	350	250 H7	18	45	48 H7	300	6	110	19 (4x)	51.8	14 JS9	73.5	554	2,032
	200	400	300 H7	20	45	55 H7	350	6	110	19 (4x)	59.3	16 JS9	59	552	2,036
	225	450	350 H7	20	45	60 H7	400	6	140	19 (8x)	64.4	18 JS9	78	586	2,048
W13	250	550	450 H7	20	45	65 H7	500	6	140	19 (8x)	69.4	18 JS9	88	611	2,062
	280	550	450 H7	20	45	75 H7	500	6	140	19 (8x)	79.9	20 JS9	83	611	2,071
	160	350	250 H7	18	55	42 H7	300	6	110	19 (4x)	45.3	12 JS9	63	586	2,588
	180	350	250 H7	18	55	48 H7	300	6	110	19 (4x)	51.8	14 JS9	63	586	2,588
	200	400	300 H7	20	55	55 H7	350	6	110	19 (4x)	59.3	16 JS9	63	586	2,589
	225	450	350 H7	20	55	60 H7	400	6	140	19 (8x)	64.4	18 JS9	77	620	2,601
W14	250	550	450 H7	20	55	65 H7	500	6	140	19 (8x)	69.4	18 JS9	95	645	2,615
	280	550	450 H7	20	55	75 H7	500	6	140	19 (8x)	79.9	20 JS9	82	645	2,623
	315S-L	660	550 H7	20	55	80 H7	600	7	170	19 (8x)	85.4	22 JS9	98	675	2,648
	160	350	250 H7	18	55	42 H7	300	6	110	19 (4x)	45.3	12 JS9	63	586	2,965
	180	350	250 H7	18	55	48 H7	300	6	110	19 (4x)	51.8	14 JS9	63	586	2,965
	200	400	300 H7	20	55	55 H7	350	6	110	19 (4x)	59.3	16 JS9	63	586	2,966
W15	225	450	350 H7	20	55	60 H7	400	6	140	19 (8x)	64.4	18 JS9	77	620	2,978
	250	550	450 H7	20	55	65 H7	500	6	140	19 (8x)	69.4	18 JS9	95	645	2,992
	280	550	450 H7	20	55	75 H7	500	6	140	19 (8x)	79.9	20 JS9	82	645	3,000
	315S-L	660	550 H7	20	55	80 H7	600	7	170	19 (8x)	85.4	22 JS9	98	675	3,025
	200	400	300 H7	20	60	55 H7	350	6	110	19 (4x)	59.3	16 JS9	52	625	3,426
	225	450	350 H7	20	60	60 H7	400	6	140	19 (8x)	64.4	18 JS9	66	659	3,437
W16	250	550	450 H7	20	60	65 H7	500	6	140	19 (8x)	69.4	18 JS9	81	684	3,451
	280	550	450 H7	20	60	75 H7	500	6	140	19 (8x)	79.9	20 JS9	71	684	3,461
	315S-L	660	550 H7	20	60	80 H7	600	7	170	19 (8x)	85.4	22 JS9	92	714	3,485
	200	400	300 H7	20	60	55 H7	350	6	110	19 (4x)	59.3	16 JS9	52	625	3,691
W16	225	450	350 H7	20	60	60 H7	400	6	140	19 (8x)	64.4	18 JS9	66	659	3,702
	250	550	450 H7	20	60	65 H7	500	6	140	19 (8x)	69.4	18 JS9	81	684	3,716
	280	550	450 H7	20	60	75 H7	500	6	140	19 (8x)	79.9	20 JS9	71	684	3,726
	315S-L	660	550 H7	20	60	80 H7	600	7	170	19 (8x)	85.4	22 JS9	92	714	3,750

Accessories - complementary dimensions

IEC motor input flange

Right angle shafts R 2 stages



Accessories - complementary dimensions

IEC motor input flange

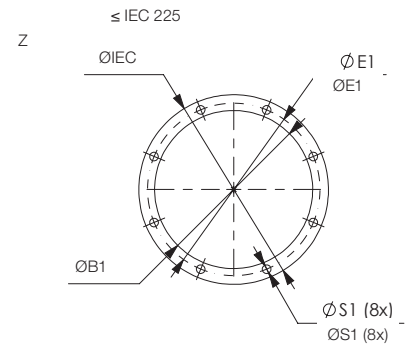
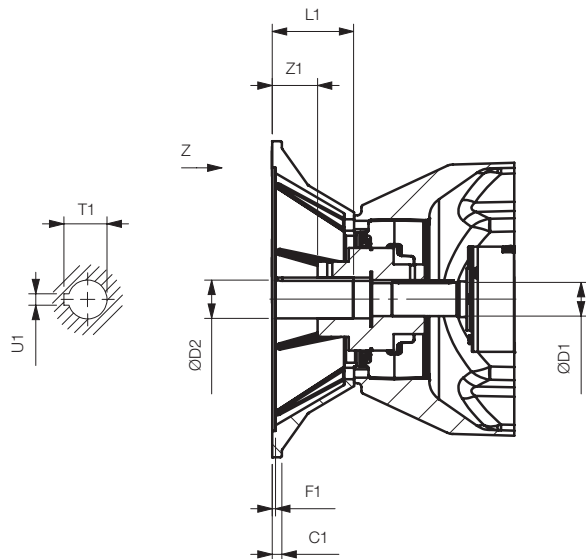
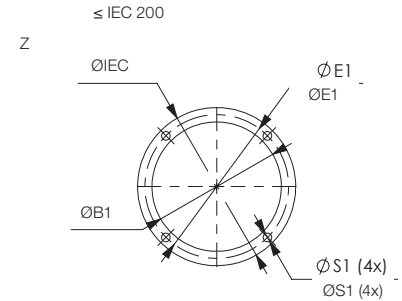
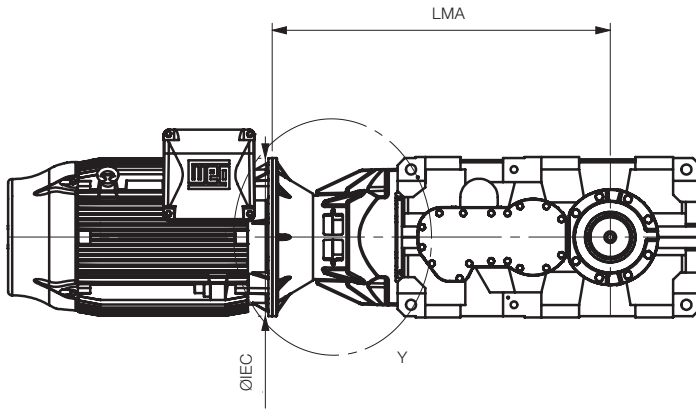
Right angle shafts R 2 stages

Size	IEC	ØIEC	ØB1	C1	ØD1	ØD2	ØE1	F1	L1	ØS1	T1	U1	Z1	LMA	kg
W01	200	400	300 H7	18	45	55 H7	350	6	110	19 (8x)	59,3	16 JS9	53,5	796	277
	225	450	350 H7	20	45	60 H7	400	6	140	19 (8x)	64,4	18 JS9	77,5	830	285,4
	250	550	450 H7	20	45	65 H7	500	6	140	19 (8x)	69,4	18 JS9	55	855	299,7
W02	200	400	300 H7	18	45	55 H7	350	6	110	19 (8x)	59,3	16 JS9	53,5	830	305,8
	225	450	350 H7	20	45	60 H7	400	6	140	19 (8x)	64,4	18 JS9	77,5	864	314,1
	250	550	450 H7	20	45	65 H7	500	5	140	19 (8x)	69,4	18 JS9	55	889	328,5
W03	225	450	350 H7	20	55	60 H7	400	6	140	19 (8x)	64,4	18 JS9	51	896	462,3
	250	550	450 H7	20	55	65 H7	500	6	140	19 (8x)	69,4	18 JS9	61	921	466,3
	280	550	450 H7	20	55	75 H7	500	6	139,5	19 (8x)	79,9	20 JS9	60,75	921	465,5
W04	225	450	350 H7	20	55	60 H7	400	6	140	19 (8x)	64,4	18 JS9	51	935	460,6
	250	550	450 H7	20	55	65 H7	500	6	140	19 (8x)	69,4	18 JS9	61	960	464,5
	280	550	450 H7	20	55	75 H7	500	6	139,5	19 (8x)	79,9	20 JS9	60,75	960	463,8
W05	250	550	450 H7	20	70	65 H7	500	6	140	19 (8x)	69,4	18 JS9	68	1026	637
	280	550	450 H7	20	70	75 H7	500	6	140	19 (8x)	79,9	20 JS9	58	1026	637
	315S-L	660	550 H7	20	70	80 H7	600	7	170	19 (8x)	85,4	22 JS9	88	1056	662
W06	250	550	450 H7	20	70	65 H7	500	6	140	19 (8x)	69,4	18 JS9	68	1072	704
	280	550	450 H7	20	70	75 H7	500	6	140	19 (8x)	79,9	20 JS9	58	1072	704
	315S-L	660	550 H7	20	70	80 H7	600	7	170	19 (8x)	85,4	22 JS9	88	1102	729
W07	315S-L	660	550 H7	20	80	80 H7	600	7	170	19 (8x)	85,4	22 JS9	76	1194	1,037
	315	660	550 H7	20	80	80 H7	600	7	170	19 (8x)	85,4	22 JS9	76	1194	1,037
	355	800	680 H7	20	80	100 H7	740	7	210	19 (8x)	106,4	28 JS9	124,5	1254	1,080
W08	315S-L	660	550 H7	20	80	80 H7	600	7	170	19 (8x)	85,4	22 JS9	76	1248	1,142
	315	660	550 H7	20	80	80 H7	600	7	170	19 (8x)	85,4	22 JS9	76	1248	1,142
	355	800	680 H7	20	80	100 H7	740	7	210	19 (8x)	106,4	28 JS9	124,5	1308	1,185
W09	315S-L	660	550 H7	20	90	80 H7	600	7	170	19 (8x)	85,4	22 JS9	87	1322	1,404
	315	660	550 H7	20	90	80 H7	600	7	170	19 (8x)	85,4	22 JS9	87	1322	1,404
	355	800	680 H7	20	90	100 H7	740	7	210	19 (8x)	106,4	28 JS9	100,5	1382	1,411
W10	315S-L	660	550 H7	20	90	80 H7	600	7	170	19 (8x)	85,4	22 JS9	87	1354	1,490
	315	660	550 H7	20	90	80 H7	600	7	170	19 (8x)	85,4	22 JS9	87	1354	1,490
	355	800	680 H7	20	90	100 H7	740	7	210	19 (8x)	106,4	28 JS9	100,5	1414	1,497
W11	315	660	550 H7	20	100	80 H7	600	7	170	19 (8x)	85,4	22 JS9	61,5	1475	1,963
	355	800	680 H7	20	100	100 H7	740	7	210	19 (8x)	106,4	28 JS9	111,5	1535	1,988
W12	315	660	550 H7	20	100	80 H7	600	7	170	19 (8x)	85,4	22 JS9	61,5	1510	2,074
	355	800	680 H7	20	100	100 H7	740	7	210	19 (8x)	106,4	28 JS9	111,5	1570	2,099
W13	355	800	680 H7	20	120	100 H7	740	7	210	19 (8x)	106,4	28 JS9	97,5	1658	2,698
W14	355	800	680 H7	20	120	100 H7	740	7	210	19 (8x)	106,4	28 JS9	97,5	1699	3,053

Accessories - complementary dimensions

IEC motor input flange

Right angle shafts R 3 stages



DETAIL Y

Size	IEC	ØIEC	ØB1	C1	ØD1	ØD2	ØE1	F1	L1	ØS1	T1	U1	Z1	LMA	kg
W01	132	300	230 H7	32	32	38 H7	265	6	80	10,2 (4x)	41,3	18 JS9	48	746	266,8
	160	350	250 H7	18	32	42 H7	300	6	110	19 (4x)	45,3	12 JS9	77,5	796	273,7
	180	350	250 H7	18	32	48 H7	300	6	110	19 (4x)	51,8	14 JS9	77,5	796	273,5
	200	400	300 H7	18	32	55 H7	350	6	110	19 (4x)	59,3	16 JS9	53,5	796	278,5
	225	450	350 H7	20	32	60 H7	400	6	140	19 (4x)	64,4	18 JS9	82	830	290,13
W02	132	300	230 H7	32	32	38 H7	265	5	80	10,2 (4x)	41,3	18 JS9	48	780	295,3
	160	350	250 H7	18	32	42 H7	300	6	110	19 (4x)	45,3	12 JS9	77,5	830	302,1
	180	350	250 H7	18	32	48 H7	300	6	110	19 (4x)	51,8	14 JS9	77,5	830	302
	200	400	300 H7	18	32	55 H7	350	6	110	19 (4x)	59,3	16 JS9	53,5	830	306,9
	225	450	350 H7	20	32	60 H7	400	6	140	19 (4x)	64,4	18 JS9	82	864	318,6
W03	132	300	230 H7	32	38	38 H7	265	5	80	10,2 (4x)	41,3	10 JS9	25,5	829	394
	160	350	250 H7	18	38	42 H7	300	6	110	19 (4x)	45,3	12 JS9	61	879	402,6
	180	350	250 H7	18	38	48 H7	300	6	110	19 (4x)	45,3	12 JS9	61	879	402,55
	200	400	300 H7	18	38	55 H7	350	6	110	19 (4x)	59,3	16 JS9	51	879	407,2
	225	450	350 H7	20	38	60 H7	400	6	140	19 (4x)	64,4	18 JS9	62	913	418,9
	250	550	450 H7	20	38	65 H7	500	6	140	19 (4x)	69,4	18 JS9	82	938	426
W04	132	300	230 H7	32	38	38 H7	265	6	139,5	19 (4x)	79,9	20 JS9	81,5	938	432,6
	160	350	250 H7	18	38	42 H7	300	5	80	10,2 (4x)	41,3	10 JS9	25,5	868	435,2
	180	350	250 H7	18	38	48 H7	300	6	110	19 (4x)	45,3	12 JS9	61	918	443,7
	200	400	300 H7	18	38	55 H7	350	6	110	19 (4x)	45,3	12 JS9	61	918	443,7
	225	450	350 H7	18	38	60 H7	400	6	110	19 (4x)	59,3	16 JS9	51	918	448,4
	225	450	350 H7	20	38	60 H7	400	6	140	19 (4x)	64,4	18 JS9	62	952	460
	250	550	450 H7	20	38	65 H7	500	6	140	19 (4x)	69,4	18 JS9	82	977	467,2
280	550	450 H7	20	38	75 H7	500	6	139,5	19 (4x)	79,9	20 JS9	81,5	977	473,8	

Accessories - complementary dimensions

IEC motor input flange

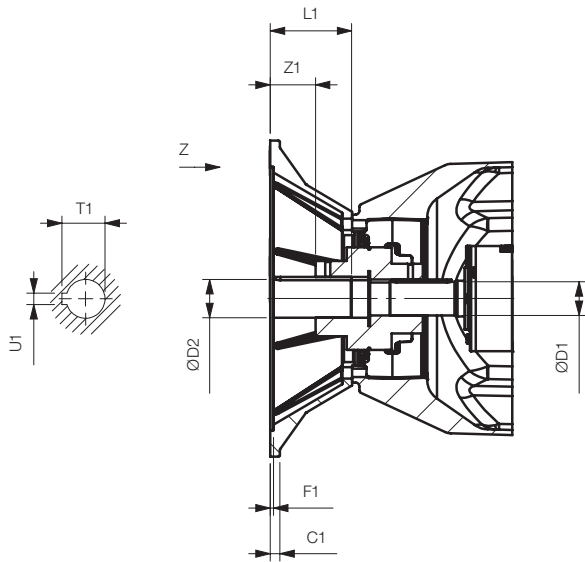
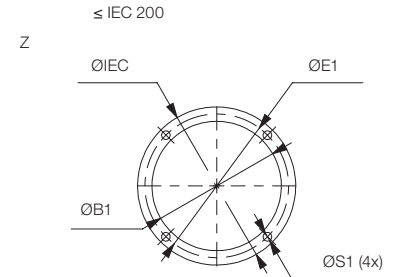
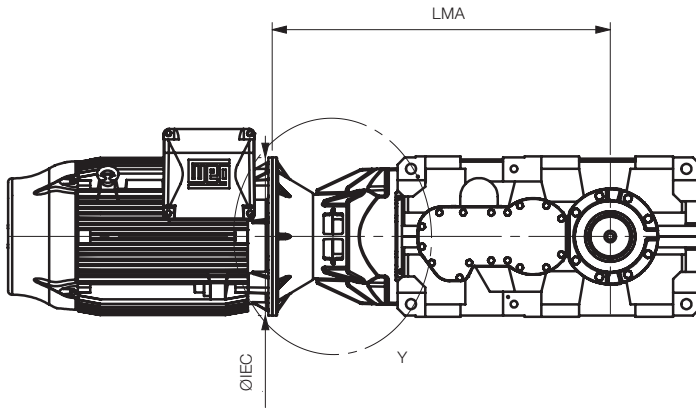
Right angle shafts R 3 stages

Size	IEC	ØIEC	ØB1	C1	ØD1	ØD2	ØE1	F1	L1	ØS1	T1	U1	Z1	LMA	kg
W05	160	350	250 H7	18	45	42 H7	300	6	110	19 (4x)	45.3	12 JS9	70.5	1023	598
	180	350	250 H7	18	45	48 H7	300	6	110	19 (4x)	51.8	14 JS9	70.5	1023	598
	200	400	300 H7	20	45	55 H7	350	6	110	19 (4x)	59.3	16 JS9	59.5	1023	603
	225	450	350 H7	20	45	60 H7	400	6	140	19 (8x)	64.4	18 JS9	66	1057	615
	250	550	450 H7	20	45	65 H7	500	6	140	19 (8x)	69.4	18 JS9	78.5	1082	629
	280	550	450 H7	20	45	75 H7	500	6	140	19 (8x)	79.9	20 JS9	78.5	1082	629
	315S-L	660	550 H7	20	45	80 H7	600	7	170	19 (8x)	85.4	22 JS9	88.5	1112	654
W06	160	350	250 H7	18	45	42 H7	300	6	110	19 (4x)	45.3	12 JS9	70.5	1069	672
	180	350	250 H7	18	45	48 H7	300	6	110	19 (4x)	51.8	14 JS9	70.5	1069	672
	200	400	300 H7	20	45	55 H7	350	6	110	19 (4x)	59.3	16 JS9	59.5	1069	677
	225	450	350 H7	20	45	60 H7	400	6	140	19 (8x)	64.4	18 JS9	66	1103	689
	250	550	450 H7	20	45	65 H7	500	6	140	19 (8x)	69.4	18 JS9	78.5	1128	703
	280	550	450 H7	20	45	75 H7	500	6	140	19 (8x)	79.9	20 JS9	78.5	1128	703
	315S-L	660	550 H7	20	45	80 H7	600	7	170	19 (8x)	85.4	22 JS9	88.5	1158	728
W07	200	400	300 H7	20	55	55 H7	350	6	110	19 (4x)	59.3	16 JS9	59	1152	997
	225	450	350 H7	20	55	60 H7	400	6	140	19 (8x)	64.4	18 JS9	83	1186	1,008
	250	550	450 H7	20	55	65 H7	500	6	140	19 (8x)	69.4	18 JS9	85	1211	1,023
	280	550	450 H7	20	55	75 H7	500	6	140	19 (8x)	79.9	20 JS9	75.5	1211	1,032
	315S-L	660	550 H7	20	55	80 H7	600	7	170	19 (8x)	85.4	22 JS9	87	1241	1,057
	315	660	550 H7	20	55	80 H7	600	7	170	19 (8x)	85.4	22 JS9	87	1241	1,057
W08	200	400	300 H7	20	55	55 H7	350	6	110	19 (4x)	59.3	16 JS9	59	1206	1,106
	225	450	350 H7	20	55	60 H7	400	6	140	19 (8x)	64.4	18 JS9	83	1240	1,117
	250	550	450 H7	20	55	65 H7	500	6	140	19 (8x)	69.4	18 JS9	85	1265	1,132
	280	550	450 H7	20	55	75 H7	500	6	140	19 (8x)	79.9	20 JS9	75.5	1265	1,141
	315S-L	660	550 H7	20	55	80 H7	600	7	170	19 (8x)	85.4	22 JS9	87	1295	1,166
	315	660	550 H7	20	55	80 H7	600	7	170	19 (8x)	85.4	22 JS9	87	1295	1,166
W09	225	450	350 H7	20	70	60 H7	400	6	140	19 (8x)	64.4	18 JS9	76	1352	1,426
	250	550	450 H7	20	70	65 H7	500	6	140	19 (8x)	69.4	18 JS9	86	1377	1,440
	280	550	450 H7	20	70	75 H7	500	6	140	19 (8x)	79.9	20 JS9	81	1377	1,449
	315S-L	660	550 H7	20	70	80 H7	600	7	170	19 (8x)	85.4	22 JS9	97	1407	1,474
	315	660	550 H7	20	70	80 H7	600	7	170	19 (8x)	85.4	22 JS9	97	1407	1,474
	355	800	680 H7	20	70	100 H7	740	7	210	19 (8x)	106.4	28 JS9	124.5	1467	1,517
W10	225	450	350 H7	20	70	60 H7	400	6	140	19 (8x)	64.4	18 JS9	76	1384	1,506
	250	550	450 H7	20	70	65 H7	500	6	140	19 (8x)	69.4	18 JS9	86	1409	1,520
	280	550	450 H7	20	70	75 H7	500	6	140	19 (8x)	79.9	20 JS9	81	1409	1,529
	315S-L	660	550 H7	20	70	80 H7	600	7	170	19 (8x)	85.4	22 JS9	97	1439	1,554
	315	660	550 H7	20	70	80 H7	600	7	170	19 (8x)	85.4	22 JS9	97	1439	1,554
	355	800	680 H7	20	70	100 H7	740	7	210	19 (8x)	106.4	28 JS9	124.5	1499	1,597
W11	250	550	450 H7	20	80	65 H7	500	6	140	19 (8x)	69.4	18 JS9	87	1542	2,019
	280	550	450 H7	20	80	75 H7	500	6	140	19 (8x)	79.9	20 JS9	77	1542	2,028
	315S-L	660	550 H7	20	80	80 H7	600	7	170	19 (8x)	85.4	22 JS9	93	1572	2,052
	315	660	550 H7	20	80	80 H7	600	7	170	19 (8x)	85.4	22 JS9	93	1572	2,052
	355	800	680 H7	20	80	100 H7	740	7	210	19 (8x)	106.4	28 JS9	131.5	1632	2,095
W12	250	550	450 H7	20	80	65 H7	500	6	140	19 (8x)	69.4	18 JS9	87	1577	2,130
	280	550	450 H7	20	80	75 H7	500	6	140	19 (8x)	79.9	20 JS9	77	1577	2,139
	315S-L	660	550 H7	20	80	80 H7	600	7	170	19 (8x)	85.4	22 JS9	93	1607	2,163
	315	660	550 H7	20	80	80 H7	600	7	170	19 (8x)	85.4	22 JS9	93	1607	2,163
	355	800	680 H7	20	80	100 H7	740	7	210	19 (8x)	106.4	28 JS9	131.5	1667	2,206
W13	250	550	450 H7	20	90	65 H7	500	6	140	19 (8x)	69.4	18 JS9	78	1723	2,709
	280	550	450 H7	20	90	75 H7	500	6	140	19 (8x)	79.9	20 JS9	78	1723	2,709
	315S-L	660	550 H7	20	90	80 H7	600	7	170	19 (8x)	85.4	22 JS9	99	1753	2,733
	315	660	550 H7	20	90	80 H7	600	7	170	19 (8x)	85.4	22 JS9	99	1753	2,733
	355	800	680 H7	20	90	100 H7	740	7	210	19 (8x)	106.4	28 JS9	137.5	1813	2,776
W14	250	550	450 H7	20	90	65 H7	500	6	140	19 (8x)	69.4	18 JS9	78	1763	3,086
	280	550	450 H7	20	90	75 H7	500	6	140	19 (8x)	79.9	20 JS9	78	1763	3,086
	315S-L	660	550 H7	20	90	80 H7	600	7	170	19 (8x)	85.4	22 JS9	99	1793	3,110
	315	660	550 H7	20	90	80 H7	600	7	170	19 (8x)	85.4	22 JS9	99	1793	3,110
	355	800	680 H7	20	90	100 H7	740	7	210	19 (8x)	106.4	28 JS9	137.5	1853	3,153
W15	315S-L	660	550 H7	20	90	80 H7	600	7	170	19 (8x)	85.4	22 JS9	99	1807	3,541
	315	660	550 H7	20	90	80 H7	600	7	170	19 (8x)	85.4	22 JS9	99	1807	3,541
	355	800	680 H7	20	90	100 H7	740	7	210	19 (8x)	106.4	28 JS9	137.5	1867	3,583
W16	315S-L	660	550 H7	20	90	80 H7	600	7	170	19 (8x)	85.4	22 JS9	99	1847	3,805
	315	660	550 H7	20	90	80 H7	600	7	170	19 (8x)	85.4	22 JS9	99	1847	3,805
	355	800	680 H7	20	90	100 H7	740	7	210	19 (8x)	106.4	28 JS9	137.5	1907	3,847

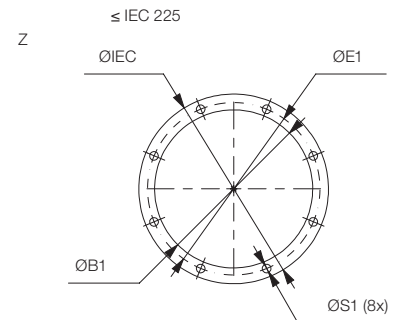
Accessories - complementary dimensions

IEC motor input flange

Right angle shafts R 4 stages



DETAIL Y



Size	IEC	ØIEC	ØB1	C1	ØD1	ØD2	ØE1	F1	L1	ØS1	T1	U1	Z1	LMA	kg
W03	112	350	180 H7	18	28	28 H7	215	5	55	10,2 (4x)	31,3	8 JS9	26	797	373,4
	132	350	230 H7	18	28	38 H7	265	5	80	10,2 (4x)	41,3	10 JS9	51	829	373,8
	160	350	250 H7	18	28	42 H7	300	6	110	19 (4x)	45,8	14 JS9	87,5	879	382,2
	180	350	250 H7	18	28	48 H7	300	6	110	19 (4x)	45,8	14 JS9	87,5	879	382,2
W04	112	350	180 H7	18	28	28 H7	215	5	60	10,2 (4x)	31,3	8 JS9	31	836	410,6
	132	350	230 H7	18	28	38 H7	265	5	80	10,2 (4x)	41,3	10 JS9	51	836	410,9
	160	350	250 H7	18	28	42 H7	300	6	110	19 (4x)	45,8	14 JS9	87,5	918	419,4
	180	350	250 H7	18	28	48 H7	300	6	110	19 (4x)	45,8	14 JS9	87,5	918	419,4
W05	100	250	180 H7	18	32	28 H7	215	5	60	15 (4x)	31,3	8 JS9	34	951	582
	112	250	180 H7	18	32	28 H7	215	5	60	15 (4x)	31,3	8 JS9	34	951	582
	132	300	230 H7	18	32	38 H7	265	5	60	15 (4x)	41,3	10 JS9	36,5	972	582
	160	350	250 H7	18	32	42 H7	300	6	110	19 (4x)	45,3	12 JS9	80	1023	593
	180	350	250 H7	18	32	48 H7	300	6	110	19 (4x)	51,8	14 JS9	80	1023	593
W06	200	400	300 H7	20	32	55 H7	350	6	110	19 (4x)	59,3	16 JS9	59	1023	598
	100	250	180 H7	18	32	28 H7	215	5	60	15 (4x)	31,3	8 JS9	34	997	656
	112	250	180 H7	18	32	28 H7	215	5	60	15 (4x)	31,3	8 JS9	34	997	656
	132	300	230 H7	18	32	38 H7	265	5	60	15 (4x)	41,3	10 JS9	36,5	1018	656
	160	350	250 H7	18	32	42 H7	300	6	110	19 (4x)	45,3	12 JS9	80	1069	667
	180	350	250 H7	18	32	48 H7	300	6	110	19 (4x)	51,8	14 JS9	80	1069	667
	200	400	300 H7	20	32	55 H7	350	6	110	19 (4x)	59,3	16 JS9	59	1069	672

Accessories - complementary dimensions

IEC motor input flange

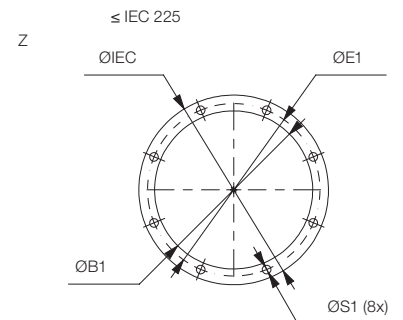
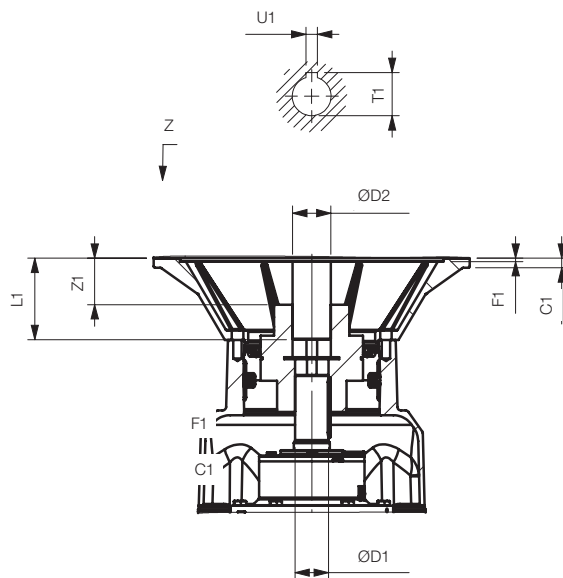
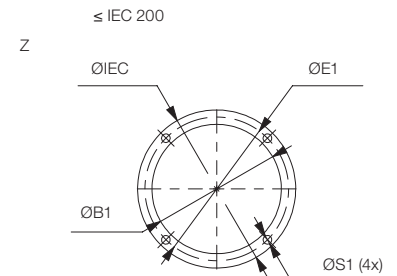
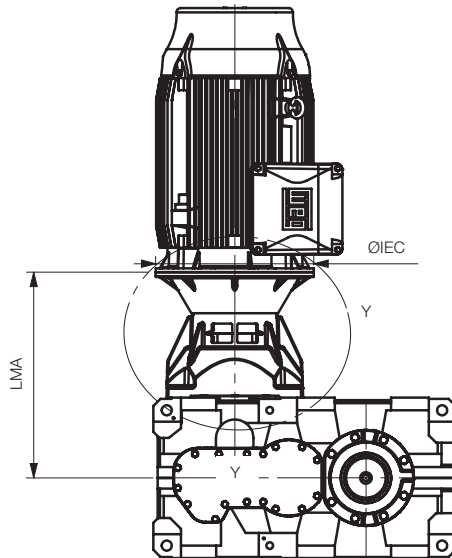
Right angle shafts R 4 stages

Size	IEC	ØIEC	ØB1	C1	ØD1	ØD2	ØE1	F1	L1	ØS1	T1	U1	Z1	LMA	kg
W07	132	300	230 H7	18	38	38 H7	265	5	60	15 (4x)	41.3	10 JS9	31.5	1101	981
	160	350	250 H7	18	38	42 H7	300	6	110	19 (4x)	45.3	12 JS9	64	1152	991
	180	350	250 H7	18	38	48 H7	300	6	110	19 (4x)	51.8	14 JS9	64	1152	991
	200	400	300 H7	20	38	55 H7	350	6	110	19 (4x)	59.3	16 JS9	54	1152	996
	225	450	350 H7	20	38	60 H7	400	6	140	19 (8x)	64.4	18 JS9	78	1186	1,007
W08	132	300	230 H7	18	38	38 H7	265	5	60	15 (4x)	41.3	10 JS9	31.5	1155	1,090
	160	350	250 H7	18	38	42 H7	300	6	110	19 (4x)	45.3	12 JS9	64	1206	1,100
	180	350	250 H7	18	38	48 H7	300	6	110	19 (4x)	51.8	14 JS9	64	1206	1,100
	200	400	300 H7	20	38	55 H7	350	6	110	19 (4x)	59.3	16 JS9	54	1206	1,105
	225	450	350 H7	20	38	60 H7	400	6	140	19 (8x)	64.4	18 JS9	78	1240	1,116
W09	160	350	250 H7	18	45	42 H7	300	6	110	19 (4x)	45.3	12 JS9	49.5	1318	1,406
	180	350	250 H7	18	45	48 H7	300	6	110	19 (4x)	51.8	14 JS9	49.5	1318	1,406
	200	400	300 H7	20	45	55 H7	350	6	110	19 (4x)	59.3	16 JS9	39.5	1318	1,411
	225	450	350 H7	20	45	60 H7	400	6	140	19 (8x)	64.4	18 JS9	63.5	1352	1,422
	250	550	450 H7	20	45	65 H7	500	6	140	19 (8x)	69.4	18 JS9	66	1377	1,436
W10	160	350	250 H7	18	45	42 H7	300	6	110	19 (4x)	45.3	12 JS9	49.5	1350	1,486
	180	350	250 H7	18	45	48 H7	300	6	110	19 (4x)	51.8	14 JS9	49.5	1350	1,486
	200	400	300 H7	20	45	55 H7	350	6	110	19 (4x)	59.3	16 JS9	39.5	1350	1,491
	225	450	350 H7	20	45	60 H7	400	6	140	19 (8x)	64.4	18 JS9	63.5	1384	1,502
	250	550	450 H7	20	45	65 H7	500	6	140	19 (8x)	69.4	18 JS9	66	1409	1,516
W11	160	350	250 H7	18	45	42 H7	300	6	110	19 (4x)	45.3	12 JS9	49.5	1409	1,525
	180	350	250 H7	18	45	48 H7	300	6	110	19 (4x)	51.8	14 JS9	49.5	1409	1,525
	200	400	300 H7	20	55	55 H7	350	6	110	19 (4x)	59.3	16 JS9	53	1483	1,984
	225	450	350 H7	20	55	60 H7	400	6	140	19 (8x)	64.4	18 JS9	77	1517	1,996
	250	550	450 H7	20	55	65 H7	500	6	140	19 (8x)	69.4	18 JS9	82	1542	2,010
W12	160	350	250 H7	18	55	42 H7	300	6	110	19 (4x)	45.3	12 JS9	58	1483	1,980
	180	350	250 H7	18	55	48 H7	300	6	110	19 (4x)	51.8	14 JS9	58	1483	1,980
	200	400	300 H7	20	55	55 H7	350	6	110	19 (4x)	59.3	16 JS9	53	1483	1,984
	225	450	350 H7	20	55	60 H7	400	6	140	19 (8x)	64.4	18 JS9	77	1517	1,996
	250	550	450 H7	20	55	65 H7	500	6	140	19 (8x)	69.4	18 JS9	82	1542	2,010
W13	160	350	250 H7	18	55	42 H7	300	6	110	19 (4x)	45.3	12 JS9	58	1572	2,044
	180	350	250 H7	18	55	48 H7	300	6	110	19 (4x)	51.8	14 JS9	58	1572	2,044
	200	400	300 H7	20	55	55 H7	350	6	110	19 (4x)	59.3	16 JS9	53	1572	2,044
	225	450	350 H7	20	55	60 H7	400	6	140	19 (8x)	64.4	18 JS9	77	1552	2,107
	250	550	450 H7	20	55	65 H7	500	6	140	19 (8x)	69.4	18 JS9	82	1577	2,121
W14	160	350	250 H7	18	55	42 H7	300	6	110	19 (4x)	45.3	12 JS9	58	1577	2,130
	180	350	250 H7	18	55	48 H7	300	6	110	19 (4x)	51.8	14 JS9	58	1577	2,130
	200	400	300 H7	20	55	55 H7	350	6	110	19 (4x)	59.3	16 JS9	53	1607	2,155
	225	450	350 H7	20	55	60 H7	400	6	140	19 (8x)	64.4	18 JS9	77	1552	2,107
	250	550	450 H7	20	55	65 H7	500	6	140	19 (8x)	69.4	18 JS9	82	1577	2,121
W15	160	350	250 H7	18	70	42 H7	300	6	110	19 (4x)	45.3	12 JS9	29	1664	2,682
	180	350	250 H7	18	70	48 H7	300	6	110	19 (4x)	51.8	14 JS9	29	1664	2,682
	200	400	300 H7	20	70	55 H7	350	6	110	19 (4x)	59.3	16 JS9	36.5	1664	2,682
	225	450	350 H7	20	70	60 H7	400	6	140	19 (8x)	64.4	18 JS9	63	1698	2,690
	250	550	450 H7	20	70	65 H7	500	6	140	19 (8x)	69.4	18 JS9	63	1723	2,704
W16	160	350	250 H7	18	70	42 H7	300	6	110	19 (4x)	45.3	12 JS9	29	1723	2,713
	180	350	250 H7	18	70	48 H7	300	6	110	19 (4x)	51.8	14 JS9	29	1723	2,713
	200	400	300 H7	20	70	55 H7	350	6	110	19 (4x)	59.3	16 JS9	36.5	1753	2,738
	225	450	350 H7	20	70	60 H7	400	6	140	19 (8x)	64.4	18 JS9	63	1698	2,690
	250	550	450 H7	20	70	65 H7	500	6	140	19 (8x)	69.4	18 JS9	63	1723	2,704
W17	160	350	250 H7	18	70	42 H7	300	6	110	19 (4x)	45.3	12 JS9	29	1753	2,738
	180	350	250 H7	18	70	48 H7	300	6	110	19 (4x)	51.8	14 JS9	29	1753	2,738
	200	400	300 H7	20	70	55 H7	350	6	110	19 (4x)	59.3	16 JS9	36.5	1753	2,738
	225	450	350 H7	20	70	60 H7	400	6	140	19 (8x)	64.4	18 JS9	63	1793	3,115
	250	550	450 H7	20	70	65 H7	500	6	140	19 (8x)	69.4	18 JS9	63	1763	3,081
W18	160	350	250 H7	18	70	42 H7	300	6	110	19 (4x)	45.3	12 JS9	29	1763	3,090
	180	350	250 H7	18	70	48 H7	300	6	110	19 (4x)	51.8	14 JS9	29	1763	3,090
	200	400	300 H7	20	70	55 H7	350	6	110	19 (4x)	59.3	16 JS9	36.5	1793	3,115
	225	450	350 H7	20	70	60 H7	400	6	140	19 (8x)	64.4	18 JS9	63	1738	3,067
	250	550	450 H7	20	70	65 H7	500	6	140	19 (8x)	69.4	18 JS9	63	1763	3,081
W19	160	350	250 H7	18	70	42 H7	300	6	110	19 (4x)	45.3	12 JS9	29	1763	3,090
	180	350	250 H7	18	70	48 H7	300	6	110	19 (4x)	51.8	14 JS9	29	1763	3,090
	200	400	300 H7	20	70	55 H7	350	6	110	19 (4x)	59.3	16 JS9	36.5	1793	3,115
	225	450	350 H7	20	70	60 H7	400	6	140	19 (8x)	64.4	18 JS9	63	1738	3,067
	250	550	450 H7	20	70	65 H7	500	6	140	19 (8x)	69.4	18 JS9	63	1763	3,081
W20	160	350	250 H7	18	70	42 H7	300	6	110	19 (4x)	45.3	12 JS9	29	1793	3,115
	180	350	250 H7	18	70	48 H7	300	6	110	19 (4x)	51.8	14 JS9	29	1793	3,115
	200	400	300 H7	20	70	55 H7	350	6	110	19 (4x)	59.3	16 JS9	36.5	1793	3,115
	225	450	350 H7	20	70	60 H7	400	6	140	19 (8x)	64.4	18 JS9	63	1738	3,067
	250	550	450 H7	20	70	65 H7	500	6	140	19 (8x)	69.4	18 JS9	63	1763	3,081
W21	160	350	250 H7	18	70	42 H7	300	6	110	19 (4x)	45.3	12 JS9	29	1793	3,115
	180	350	250 H7	18	70	48 H7	300	6	110	19 (4x)	51.8	14 JS9	29	1793	3,115
	200	400	300 H7	20	70	55 H7	350	6	110	19 (4x)	59.3	16 JS9	36.5	1793	3,115
	225	450	350 H7	20	70	60 H7	400	6	140	19 (8x)	64.4	18 JS9	63	1738	3,067
	250	550	450 H7	20	70	65 H7	500	6	140	19 (8x)	69.4	18 JS9	63	1763	3,081
W22	160	350	250 H7	18	70	42 H7	300	6	110	19 (4x)	45.3	12 JS9	29	1793	3,115
	180	350	250 H7	18	70	48 H7	300	6	110	19 (4x)	51.8	14 JS9	29	1793	3,115
	200	400	300 H7	20	70	55 H7	350	6	110	19 (4x)	59.3	16 JS9	36.5	1793	3,115
	225	450	350 H7	20	70	60 H7	400	6	140	19 (8x)	64.4	18 JS9	63	1738	3,067
	250	550	450 H7	20	70	65 H7	500	6	140	19 (8x)	69.4	18 JS9	63	1763	3,081
W23	160	350	250 H7	18	70	42 H7	300	6	110	19 (4x)	45.3	12 JS9	29	1793	3,115
	180	350	250 H7	18	70	48 H7	300	6	110	19 (4x)	51.8	14 JS9	29	1793	3,115
	200	400	300 H7	20	70	55 H7	350	6	110	19 (4x)	59.3	16 JS9	36.5	1793	3,115
	225	450	350 H7	20	70	60 H7	400	6	140	19 (8x)	64.4	18 JS9	63	1738	3,067
	250	550	450 H7	20	70	65 H7	500	6	140	19 (8x)	69.4	18 JS9	63	1763	3,081
W24	160	350	250 H7	18	70	42 H7	300	6	110	19 (4x)	45.3	12 JS9	29	1793	3,115
	180	350	250 H7	18	70	48 H7	300	6	110	19 (4x)	51.8	14 JS9	29	1793	3,115
	200	400	300 H7	20	70	55 H7	350	6	110	19 (4x)	59.3	16 JS9	36.5	1793	3,115
	225	450	350 H7	20	70	60 H7	400	6	140	19 (8x)	64.4	18 JS9	63	1738	3,067
	250	550	450 H7	20	70	65 H7	500	6	140	19 (8x)	69.4	18 JS9	63	1763	3,081
W25	160	350	250 H7	18	70										

Accessories - complementary dimensions

IEC motor input flange

Right angle shafts T 3 stages



Size	IEC	ØIEC	ØB1	C1	ØD1	ØD2	ØE1	F1	L1	ØS1	T1	U1	Z1	LMA	kg
W01	132	300	230 H7	32	32	38 H7	265	5	80	10,2 (4x)	41,3	18 JS9	48	460	264,3
	160	350	250 H7	18	32	42 H7	300	6	110	19 (4x)	45,3	12 JS9	77,5	510	274,3
	180	350	250 H7	18	32	48 H7	300	6	110	19 (4x)	51,8	14 JS9	77,5	510	274
	200	400	300 H7	18	32	55 H7	350	6	110	19 (4x)	59,3	16 JS9	53,5	510	279
	225	450	350 H7	20	32	60 H7	400	6	140	19 (4x)	64,4	18 JS9	82	544	290,7
W02	132	300	230 H7	32	32	38 H7	265	5	80	10,2 (4x)	41,3	18 JS9	48	460	294,4
	160	350	250 H7	18	32	42 H7	300	6	110	19 (4x)	45,3	12 JS9	77,5	510	344
	180	350	250 H7	18	32	48 H7	300	6	110	19 (4x)	51,8	14 JS9	77,5	510	304,2
	200	400	300 H7	18	32	55 H7	350	6	110	19 (4x)	59,3	16 JS9	53,5	510	309,1
	225	450	350 H7	20	32	60 H7	400	6	140	19 (4x)	64,4	18 JS9	82	544	320,8
W03	132	300	230 H7	32	38	38 H7	265	5	80	10,2 (4x)	41,3	10 JS9	25,5	491	395,9
	160	350	250 H7	18	38	42 H7	300	6	110	19 (4x)	45,3	12 JS9	61	541	404,4
	180	350	250 H7	18	38	48 H7	300	6	110	19 (4x)	45,3	12 JS9	61	541	404,4
	200	400	300 H7	18	38	55 H7	350	6	110	19 (4x)	59,3	16 JS9	51	541	409,1
	225	450	350 H7	20	38	60 H7	400	6	140	19 (4x)	64,4	18 JS9	62	575	420,7
	250	550	450 H7	20	38	65 H7	500	6	140	19 (4x)	69,4	18 JS9	82	600	427,9
	280	550	450 H7	20	38	75 H7	500	6	139,5	19 (4x)	79,9	20 JS9	81,5	600	434,5

Accessories - complementary dimensions

IEC motor input flange

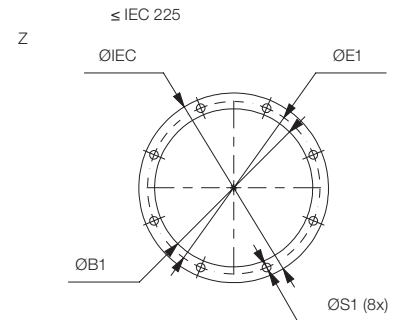
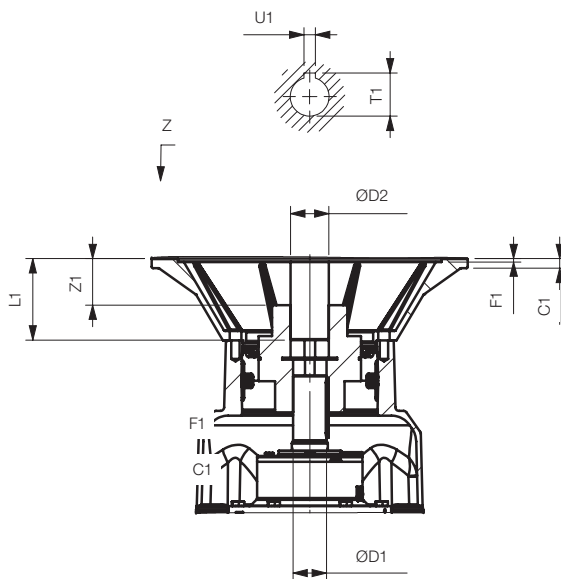
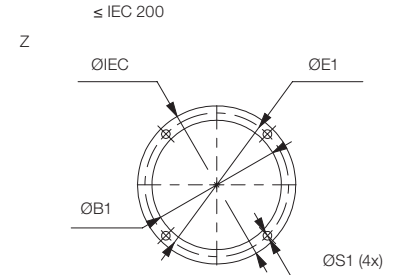
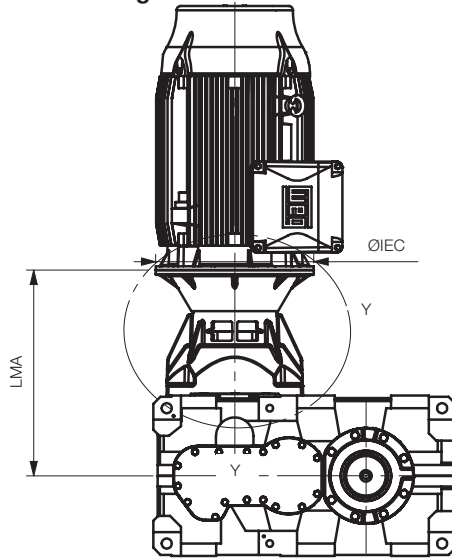
Right angle shafts T 3 stages

Size	IEC	ØIEC	ØB1	C1	ØD1	ØD2	ØE1	F1	L1	ØS1	T1	U1	Z1	LMA	kg
W04	132	300	230 H7	32	38	38 H7	265	5	80	10,2 (4x)	41,3	10 JS9	25,5	491	434,2
	160	350	250 H7	18	38	42 H7	300	6	110	19 (4x)	45,3	12 JS9	61	541	442,7
	180	350	250 H7	18	38	48 H7	300	6	110	19 (4x)	45,3	12 JS9	61	541	442,6
	200	400	300 H7	18	38	55 H7	350	6	110	19 (4x)	59,3	16 JS9	51	541	447,4
	225	450	350 H7	20	38	60 H7	400	6	140	19 (4x)	64,4	18 JS9	62	575	459
	250	550	450 H7	20	38	65 H7	500	6	140	19 (4x)	69,4	18 JS9	82	600	466,2
280	550	450 H7	20	38	75 H7	500	6	139,5	19 (4x)	79,9	20 JS9	81,5	600	472,7	
W05	160	350	250 H7	18	45	42 H7	300	6	110	19 (4x)	45,3	12 JS9	70,5	625	598
	180	350	250 H7	18	45	48 H7	300	6	110	19 (4x)	51,8	14 JS9	70,5	625	598
	200	400	300 H7	20	45	55 H7	350	6	110	19 (4x)	59,3	16 JS9	59,5	625	603
	225	450	350 H7	20	45	60 H7	400	6	140	19 (8x)	64,4	18 JS9	66	659	615
	250	550	450 H7	20	45	65 H7	500	6	140	19 (8x)	69,4	18 JS9	78,5	684	629
	280	550	450 H7	20	45	75 H7	500	6	140	19 (8x)	79,9	20 JS9	78,5	684	629
315S-L	660	550 H7	20	45	80 H7	600	7	170	19 (8x)	85,4	22 JS9	88,5	714	654	
W06	160	350	250 H7	18	45	42 H7	300	6	110	19 (4x)	45,3	12 JS9	70,5	625	672
	180	350	250 H7	18	45	48 H7	300	6	110	19 (4x)	51,8	14 JS9	70,5	625	672
	200	400	300 H7	20	45	55 H7	350	6	110	19 (4x)	59,3	16 JS9	59,5	625	677
	225	450	350 H7	20	45	60 H7	400	6	140	19 (8x)	64,4	18 JS9	66	659	689
	250	550	450 H7	20	45	65 H7	500	6	140	19 (8x)	69,4	18 JS9	78,5	684	703
	280	550	450 H7	20	45	75 H7	500	6	140	19 (8x)	79,9	20 JS9	78,5	684	703
315S-L	660	550 H7	20	45	80 H7	600	7	170	19 (8x)	85,4	22 JS9	88,5	714	728	
W07	200	400	300 H7	20	55	55 H7	350	6	110	19 (4x)	59,3	16 JS9	59	682	997
	225	450	350 H7	20	55	60 H7	400	6	140	19 (8x)	64,4	18 JS9	83	716	1,008
	250	550	450 H7	20	55	65 H7	500	6	140	19 (8x)	69,4	18 JS9	85	741	1,023
	280	550	450 H7	20	55	75 H7	500	6	140	19 (8x)	79,9	20 JS9	75,5	741	1,032
	315S-L	660	550 H7	20	55	80 H7	600	7	170	19 (8x)	85,4	22 JS9	87	771	1,057
	315	660	550 H7	20	55	80 H7	600	7	170	19 (8x)	85,4	22 JS9	87	771	1,057
W08	200	400	300 H7	20	55	55 H7	350	6	110	19 (4x)	59,3	16 JS9	59	682	1,106
	225	450	350 H7	20	55	60 H7	400	6	140	19 (8x)	64,4	18 JS9	83	716	1,117
	250	550	450 H7	20	55	65 H7	500	6	140	19 (8x)	69,4	18 JS9	85	741	1,132
	280	550	450 H7	20	55	75 H7	500	6	140	19 (8x)	79,9	20 JS9	75,5	741	1,141
	315S-L	660	550 H7	20	55	80 H7	600	7	170	19 (8x)	85,4	22 JS9	87	771	1,166
	315	660	550 H7	20	55	80 H7	600	7	170	19 (8x)	85,4	22 JS9	87	771	1,166
W09	225	450	350 H7	20	70	60 H7	400	6	140	19 (8x)	64,4	18 JS9	76	804	1,426
	250	550	450 H7	20	70	65 H7	500	6	140	19 (8x)	69,4	18 JS9	86	829	1,440
	280	550	450 H7	20	70	75 H7	500	6	140	19 (8x)	79,9	20 JS9	81	829	1,449
	315S-L	660	550 H7	20	70	80 H7	600	7	170	19 (8x)	85,4	22 JS9	97	859	1,474
	315	660	550 H7	20	70	80 H7	600	7	170	19 (8x)	85,4	22 JS9	97	859	1,474
	355	800	680 H7	20	70	100 H7	740	7	210	19 (8x)	106,4	28 JS9	124,5	919	1,517
W10	225	450	350 H7	20	70	60 H7	400	6	140	19 (8x)	64,4	18 JS9	76	804	1,506
	250	550	450 H7	20	70	65 H7	500	6	140	19 (8x)	69,4	18 JS9	86	829	1,520
	280	550	450 H7	20	70	75 H7	500	6	140	19 (8x)	79,9	20 JS9	81	829	1,529
	315S-L	660	550 H7	20	70	80 H7	600	7	170	19 (8x)	85,4	22 JS9	97	859	1,554
	315	660	550 H7	20	70	80 H7	600	7	170	19 (8x)	85,4	22 JS9	97	859	1,554
	355	800	680 H7	20	70	100 H7	740	7	210	19 (8x)	106,4	28 JS9	124,5	919	1,597
W11	250	550	450 H7	20	80	65 H7	500	6	140	19 (8x)	69,4	18 JS9	87	925	2,019
	280	550	450 H7	20	80	75 H7	500	6	140	19 (8x)	79,9	20 JS9	77	925	2,028
	315S-L	660	550 H7	20	80	80 H7	600	7	170	19 (8x)	85,4	22 JS9	93	955	2,052
	315	660	550 H7	20	80	80 H7	600	7	170	19 (8x)	85,4	22 JS9	93	955	2,052
	355	800	680 H7	20	80	100 H7	740	7	210	19 (8x)	106,4	28 JS9	131,5	1015	2,095
	250	550	450 H7	20	80	65 H7	500	6	140	19 (8x)	69,4	18 JS9	87	925	2,130
W12	280	550	450 H7	20	80	75 H7	500	6	140	19 (8x)	79,9	20 JS9	77	925	2,139
	315S-L	660	550 H7	20	80	80 H7	600	7	170	19 (8x)	85,4	22 JS9	93	955	2,163
	315	660	550 H7	20	80	80 H7	600	7	170	19 (8x)	85,4	22 JS9	93	955	2,163
	355	800	680 H7	20	80	100 H7	740	7	210	19 (8x)	106,4	28 JS9	131,5	1015	2,206
	250	550	450 H7	20	90	65 H7	500	6	140	19 (8x)	69,4	18 JS9	78	1016	2,709
	280	550	450 H7	20	90	75 H7	500	6	140	19 (8x)	79,9	20 JS9	78	1016	2,709
W13	315S-L	660	550 H7	20	90	80 H7	600	7	170	19 (8x)	85,4	22 JS9	99	1046	2,733
	315	660	550 H7	20	90	80 H7	600	7	170	19 (8x)	85,4	22 JS9	99	1046	2,733
	355	800	680 H7	20	90	100 H7	740	7	210	19 (8x)	106,4	28 JS9	137,5	1106	2,776
	250	550	450 H7	20	90	65 H7	500	6	140	19 (8x)	69,4	18 JS9	78	1016	3,086
	280	550	450 H7	20	90	75 H7	500	6	140	19 (8x)	79,9	20 JS9	78	1016	3,086
	315S-L	660	550 H7	20	90	80 H7	600	7	170	19 (8x)	85,4	22 JS9	99	1046	3,110
W14	315	660	550 H7	20	90	80 H7	600	7	170	19 (8x)	85,4	22 JS9	99	1046	3,110
	355	800	680 H7	20	90	100 H7	740	7	210	19 (8x)	106,4	28 JS9	137,5	1106	3,153
	315S-L	660	550 H7	20	90	80 H7	600	7	170	19 (8x)	85,4	22 JS9	99	1041	3,541
	315	660	550 H7	20	90	80 H7	600	7	170	19 (8x)	85,4	22 JS9	99	1041	3,541
	355	800	680 H7	20	90	100 H7	740	7	210	19 (8x)	106,4	28 JS9	137,5	1101	3,583
	315S-L	660	550 H7	20	90	80 H7	600	7	170	19 (8x)	85,4	22 JS9	99	1041	3,805
W16	315	660	550 H7	20	90	80 H7	600	7	170	19 (8x)	85,4	22 JS9	99	1041	3,805
	355	800	680 H7	20	90	100 H7	740	7	210	19 (8x)	106,4	28 JS9	137,5	1101	3,847

Accessories - complementary dimensions

IEC motor input flange

Right angle shafts T 4 stages



Size	IEC	ØIEC	ØB1	C1	ØD1	ØD2	ØE1	F1	L1	ØS1	T1	U1	Z1	LMA	kg
W03	112	350	180 H7	18	28	28 H7	215	5	60	10,2 (4x)	31,3	8 JS9	31	469	387,2
	132	300	230 H7	32	28	38 H7	265	5	80	10,2 (4x)	41,3	10 JS9	51	491	387,6
	160	350	250 H7	18	28	42 H7	300	6	110	19 (4x)	45,8	14 JS9	87,5	541	396
	180	350	250 H7	18	28	48 H7	300	6	110	19 (4x)	45,8	14 JS9	87,5	541	396
W04	112	350	180 H7	18	28	28 H7	215	5	60	10,2 (4x)	31,3	8 JS9	31	459	413,2
	132	350	230 H7	32	28	38 H7	265	5	80	10,2 (4x)	41,3	10 JS9	51	459	413,5
	160	350	250 H7	18	28	42 H7	300	6	110	19 (4x)	45,8	14 JS9	87,5	541	422
	180	350	250 H7	18	28	48 H7	300	6	110	19 (4x)	45,8	14 JS9	87,5	541	422
W05	100	250	180 H7	18	32	28 H7	215	5	60	15 (4x)	31,3	8 JS9	34	553	582
	112	250	180 H7	18	32	28 H7	215	5	60	15 (4x)	31,3	8 JS9	34	553	582
	132	300	230 H7	18	32	38 H7	265	5	60	15 (4x)	41,3	10 JS9	36,5	574	582
	160	350	250 H7	18	32	42 H7	300	6	110	19 (4x)	45,3	12 JS9	80	625	593
	180	350	250 H7	18	32	48 H7	300	6	110	19 (4x)	51,8	14 JS9	80	625	593
W06	200	400	300 H7	20	32	55 H7	350	6	110	19 (4x)	59,3	16 JS9	59	625	598
	100	250	180 H7	18	32	28 H7	215	5	60	15 (4x)	31,3	8 JS9	34	553	656
	112	250	180 H7	18	32	28 H7	215	5	60	15 (4x)	31,3	8 JS9	34	553	656
	132	300	230 H7	18	32	38 H7	265	5	60	15 (4x)	41,3	10 JS9	36,5	574	656
	160	350	250 H7	18	32	42 H7	300	6	110	19 (4x)	45,3	12 JS9	80	625	667
	180	350	250 H7	18	32	48 H7	300	6	110	19 (4x)	51,8	14 JS9	80	625	667
	200	400	300 H7	20	32	55 H7	350	6	110	19 (4x)	59,3	16 JS9	59	625	672

Accessories - complementary dimensions

IEC motor input flange

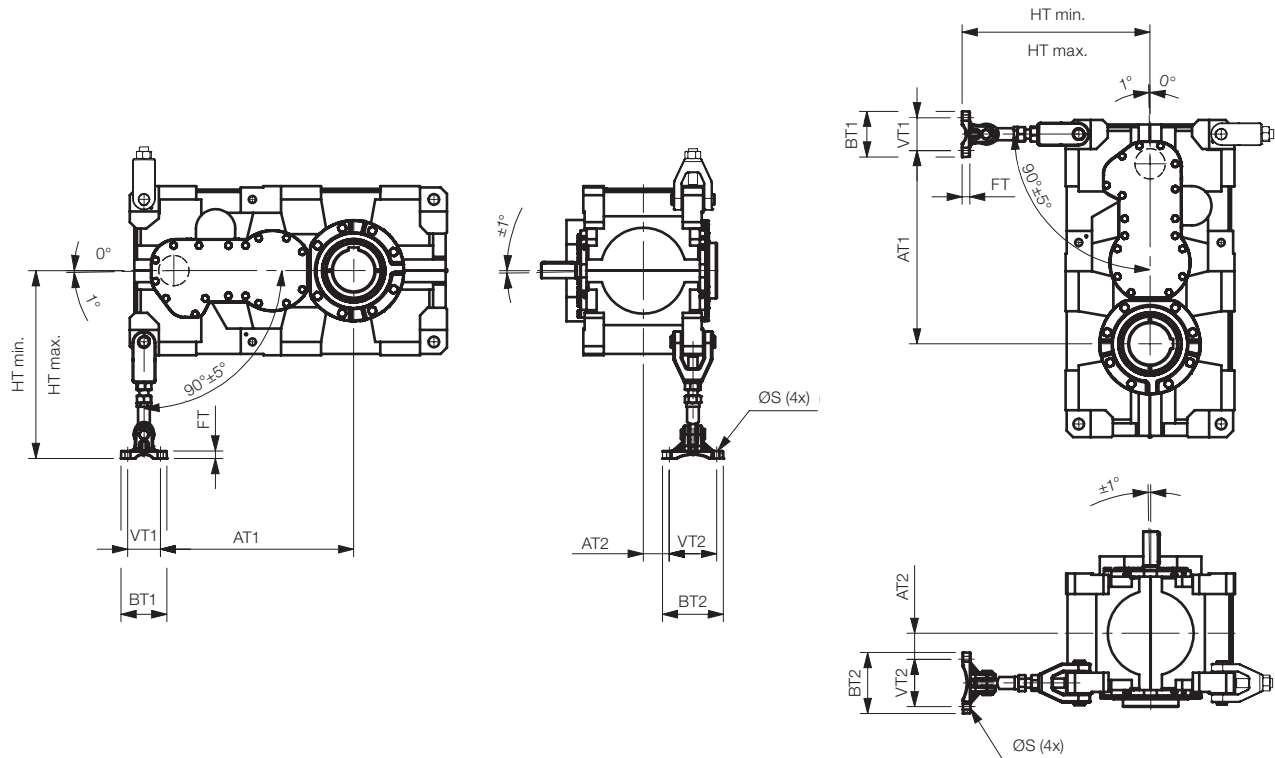
Right angle shafts T 4 stages

Size	IEC	ØIEC	ØB1	C1	ØD1	ØD2	ØE1	F1	L1	ØS1	T1	U1	Z1	LMA	kg
W07	132	300	230 H7	18	38	38 H7	265	5	60	15 (4x)	41.3	10 JS9	31.5	631	981
	160	350	250 H7	18	38	42 H7	300	6	110	19 (4x)	45.3	12 JS9	64	682	991
	180	350	250 H7	18	38	48 H7	300	6	110	19 (4x)	51.8	14 JS9	64	682	991
	200	400	300 H7	20	38	55 H7	350	6	110	19 (4x)	59.3	16 JS9	54	682	996
W08	225	450	350 H7	20	38	60 H7	400	6	140	19 (8x)	64.4	18 JS9	78	716	1,007
	132	300	230 H7	18	38	38 H7	265	5	60	15 (4x)	41.3	10 JS9	31.5	631	1,090
	160	350	250 H7	18	38	42 H7	300	6	110	19 (4x)	45.3	12 JS9	64	682	1,100
	180	350	250 H7	18	38	48 H7	300	6	110	19 (4x)	51.8	14 JS9	64	682	1,100
W09	200	400	300 H7	20	38	55 H7	350	6	110	19 (4x)	59.3	16 JS9	54	682	1,105
	225	450	350 H7	20	38	60 H7	400	6	140	19 (8x)	64.4	18 JS9	78	716	1,116
	160	350	250 H7	18	45	42 H7	300	6	110	19 (4x)	45.3	12 JS9	49.5	770	1,406
	180	350	250 H7	18	45	48 H7	300	6	110	19 (4x)	51.8	14 JS9	49.5	770	1,406
W10	200	400	300 H7	20	45	55 H7	350	6	110	19 (4x)	59.3	16 JS9	39.5	770	1,411
	225	450	350 H7	20	45	60 H7	400	6	140	19 (8x)	64.4	18 JS9	63.5	804	1,422
	250	550	450 H7	20	45	65 H7	500	6	140	19 (8x)	69.4	18 JS9	66	829	1,436
	280	550	450 H7	20	45	75 H7	500	6	140	19 (8x)	79.9	20 JS9	56	829	1,445
W11	160	350	250 H7	18	45	42 H7	300	6	110	19 (4x)	45.3	12 JS9	49.5	770	1,486
	180	350	250 H7	18	45	48 H7	300	6	110	19 (4x)	51.8	14 JS9	49.5	770	1,486
	200	400	300 H7	20	45	55 H7	350	6	110	19 (4x)	59.3	16 JS9	39.5	770	1,491
	225	450	350 H7	20	45	60 H7	400	6	140	19 (8x)	64.4	18 JS9	63.5	804	1,502
W12	250	550	450 H7	20	45	65 H7	500	6	140	19 (8x)	69.4	18 JS9	66	829	1,516
	280	550	450 H7	20	45	75 H7	500	6	140	19 (8x)	79.9	20 JS9	56	829	1,525
	160	350	250 H7	18	55	42 H7	300	6	110	19 (4x)	45.3	12 JS9	58	866	1,980
	180	350	250 H7	18	55	48 H7	300	6	110	19 (4x)	51.8	14 JS9	58	866	1,980
W13	200	400	300 H7	20	55	55 H7	350	6	110	19 (4x)	59.3	16 JS9	53	866	1,984
	225	450	350 H7	20	55	60 H7	400	6	140	19 (8x)	64.4	18 JS9	77	900	1,996
	250	550	450 H7	20	55	65 H7	500	6	140	19 (8x)	69.4	18 JS9	82	925	2,010
	280	550	450 H7	20	55	75 H7	500	6	140	19 (8x)	79.9	20 JS9	72	925	2,019
W14	315S-L	660	550 H7	20	55	80 H7	600	7	170	19 (8x)	85.4	22 JS9	93	955	2,044
	160	350	250 H7	18	55	42 H7	300	6	110	19 (4x)	45.3	12 JS9	58	866	2,091
	180	350	250 H7	18	55	48 H7	300	6	110	19 (4x)	51.8	14 JS9	58	866	2,091
	200	400	300 H7	20	55	55 H7	350	6	110	19 (4x)	59.3	16 JS9	53	866	2,095
W15	225	450	350 H7	20	55	60 H7	400	6	140	19 (8x)	64.4	18 JS9	77	900	2,107
	250	550	450 H7	20	55	65 H7	500	6	140	19 (8x)	69.4	18 JS9	82	925	2,121
	280	550	450 H7	20	55	75 H7	500	6	140	19 (8x)	79.9	20 JS9	72	925	2,130
	315S-L	660	550 H7	20	55	80 H7	600	7	170	19 (8x)	85.4	22 JS9	93	955	2,155
W16	160	350	250 H7	18	70	42 H7	300	6	110	19 (4x)	45.3	12 JS9	29	957	2,682
	180	350	250 H7	18	70	48 H7	300	6	110	19 (4x)	51.8	14 JS9	29	957	2,682
	200	400	300 H7	20	70	55 H7	350	6	110	19 (4x)	59.3	16 JS9	36.5	957	2,682
	225	450	350 H7	20	70	60 H7	400	6	140	19 (8x)	64.4	18 JS9	63	991	2,690
W17	250	550	450 H7	20	70	65 H7	500	6	140	19 (8x)	69.4	18 JS9	63	1016	2,704
	280	550	450 H7	20	70	75 H7	500	6	140	19 (8x)	79.9	20 JS9	58	1016	2,713
	315S-L	660	550 H7	20	70	80 H7	600	7	170	19 (8x)	85.4	22 JS9	79	1046	2,738
	160	350	250 H7	18	70	42 H7	300	6	110	19 (4x)	45.3	12 JS9	29	957	3,059
W18	180	350	250 H7	18	70	48 H7	300	6	110	19 (4x)	51.8	14 JS9	29	957	3,059
	200	400	300 H7	20	70	55 H7	350	6	110	19 (4x)	59.3	16 JS9	36.5	957	3,059
	225	450	350 H7	20	70	60 H7	400	6	140	19 (8x)	64.4	18 JS9	63	991	3,067
	250	550	450 H7	20	70	65 H7	500	6	140	19 (8x)	69.4	18 JS9	63	1016	3,081
W19	280	550	450 H7	20	70	75 H7	500	6	140	19 (8x)	79.9	20 JS9	58	1016	3,090
	315S-L	660	550 H7	20	70	80 H7	600	7	170	19 (8x)	85.4	22 JS9	79	1046	3,115
	200	400	300 H7	20	70	55 H7	350	6	110	19 (4x)	59.3	16 JS9	31.5	952	3,501
	225	450	350 H7	20	70	60 H7	400	6	140	19 (8x)	64.4	18 JS9	65.5	986	3,509
W20	250	550	450 H7	20	70	65 H7	500	6	140	19 (8x)	69.4	18 JS9	68	1011	3,523
	280	550	450 H7	20	70	75 H7	500	6	140	19 (8x)	79.9	20 JS9	53	1011	3,532
	315S-L	660	550 H7	20	70	80 H7	600	7	170	19 (8x)	85.4	22 JS9	79	1041	3,556
	315	660	550 H7	20	70	80 H7	600	7	170	19 (8x)	85.4	22 JS9	79	1041	3,556
W21	200	400	300 H7	20	70	55 H7	350	6	110	19 (4x)	59.3	16 JS9	31.5	952	3,765
	225	450	350 H7	20	70	60 H7	400	6	140	19 (8x)	64.4	18 JS9	65.5	986	3,773
	250	550	450 H7	20	70	65 H7	500	6	140	19 (8x)	69.4	18 JS9	68	1011	3,787
	280	550	450 H7	20	70	75 H7	500	6	140	19 (8x)	79.9	20 JS9	53	1011	3,796
W22	315S-L	660	550 H7	20	70	80 H7	600	7	170	19 (8x)	85.4	22 JS9	79	1041	3,820
	315	660	550 H7	20	70	80 H7	600	7	170	19 (8x)	85.4	22 JS9	79	1041	3,820

Accessories - complementary dimensions

Torque arm

The torque arm is a link between the gearbox and a fixed point designed to hold the torque developed by the gearbox, withstanding the reaction torque produced by the gearbox and preventing the gearbox from counter-rotating during operation. The length of the torque arm can be adjusted within a certain range to suit the customer's needs. It is recommended to mount the torsion arm on the same side of the driven machine, keeping the shaft bending to a minimum.



Size	AT1	AT1 (2 Stag.)	AT2	BT1	BT2	FT	HT min.	HT max.	ØS (4x)	VT1	VT2
W01	411	351	46,5	110	160	25	435	475	13,5	70	120
W02	445	385	46,5	110	160	25	435	475	13,5	70	120
W03	497	412	63,5	110	160	25	509	553,4	13,5	70	120
W04	536	451	63,5	110	160	25	509	553,4	13,5	70	120
W05	588	483	85,5	120	160	25	547	587	13,5	70	120
W06	634	529	85,5	120	160	25	547	587	13,5	70	120
W07	672	547	78	180	240	30	725	775	22	130	188
W08	726	601	78	180	240	30	725	775	22	130	188
W09	767	633	103	180	240	30	745	795	22	130	188
W10	799	633	103	180	240	30	745	795	22	130	188
W11	869	715	118	200	250	30	800	845	22	130	188
W12	904	750	118	200	250	30	800	845	22	130	188
W13	1007	832	138	200	250	30	850	890	22	130	188
W14	1046	873	138	200	250	30	850	890	22	130	188
W15	1036	856	150	300	300	30	945	975	26	220	220
W16	1076	896	150	300	300	30	945	975	26	220	220

AT1: distance from the center of the output shaft to the hole of the torque arm base for 3 and 4 stages.

AT1 (2 Stag.): distance from the center of the output shaft to the hole of the torque arm base for 2 stages.

The optional torque arm is available shaft mounted, with the gearbox output featuring hollow shaft with a keyway, hollow shaft with shrink disk or solid shaft. In the case of a solid shaft with a torsion arm, the gearbox output shaft and the equipment must be coupled using a DIN116 rigid coupling. WEG supplies DIN116 rigid couplings — contact us.

Accessories - complementary dimensions

Cooling coil

The cooling coil is of the cartridge type with G 1/2" thread and copper tubes, with a maximum temperature of 95 °C and a permissible pressure of 10 bar. Recommended flow rate 15 l/min.

The following table provides an overview of the compatibility of copper pipes with water elements in non-potable water.

Item	mg/l	
pH	<6	0
	6 to 9	+
	>9	0
Chloride	Up to 1000	+
	>1000	0
Sulfate	Up to 70	+
	70 to 300	0
	>300	-
Nitrate	Up to 100	+
	>100	0
Aggressive carbon acid (free)	Up to 20	+
	20 to 50	0
	>50	-

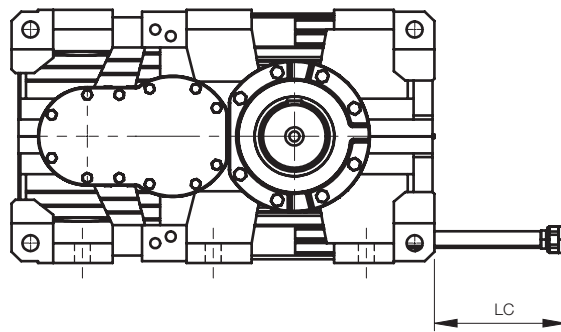
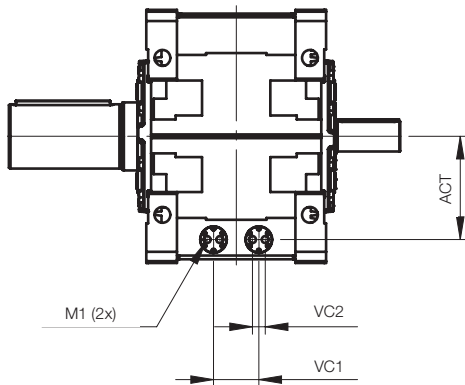
Item	mg/l	
Oxygen	Up to 2	+
	>2	0
Ammonia	Up to 2	+
	2 to 20	0
Dissolved Iron	Up to 10	+
	>10	0
Dissolved manganese	Up to 1	+
	>1	0
Free Chlorine	Up to 5	+
	>5	0
Sulphide		-

Legend:

+: normal, acceptable.

0: Not recommended; corrosion problems may occur.

-: do not use it.



Size	ACT	LC 2 Stag.	LC 3-4 Stag.	M1 (2x)	VC1	VC2
W03	170	555	555	G1/2"	85	35
W04	170	555	555	G1/2"	85	35
W05	210	555	695	G1/2"	115	35
W06	213	555	695	G1/2"	115	35
W07	252	555	695	G1/2"	115	35
W08	260	555	695	G1/2"	120	35
W09	273	695	955	G1/2"	120	35
W10	273	695	955	G1/2"	120	35
W11	302	695	955	G1/2"	150	35
W12	302	695	955	G1/2"	150	35
W13	352	955	955	G1/2"	150	35
W14	352	955	955	G1/2"	150	35
W15	377	955	955	G1/2"	150	35
W16	377	955	955	G1/2"	150	35

Accessories - complementary dimensions

Fan

The fan is radial and spins in both directions. It is made of aluminum with a steel hub, steel fan cover according to NR12 and balanced according to ISO 1940 G6.3.

It can be installed on the input flange or on the additional end of the gearbox with fan cover. The thermal power in the capacity tables is for the fan installed on the gearbox shaft end. For fan installed on the input flange, derate the indicated capacity by 20%.

Lubrication and cooling system

The forced lubrication and cooling system has a main function to lubricate the bearings and gear pairs. It is composed of a helical gear pump, driven by an electric motor and connected by elastic coupling, a water-oil tube and shell heat exchanger (for air-oil radiator, contact WEG) with simple filter, a stainless steel case pressure gauge with glycerin for local reading and a pressure switch to regulate the low pressure (0.8 bar).

Eight system capacities are available, which must be selected to meet the required thermal power (see page 10).

When lubrication is forced with a pump installed on the gearbox shaft, there must be only one direction of rotation, and it must be informed when placing the order. In this case, the pump is dimensioned for the gearbox rotational speed informed in the application data. The use of the gearbox with rotational speeds different from the one considered in the pump sizing can cause insufficient lubrication, which may lead to premature failure of gearbox components.

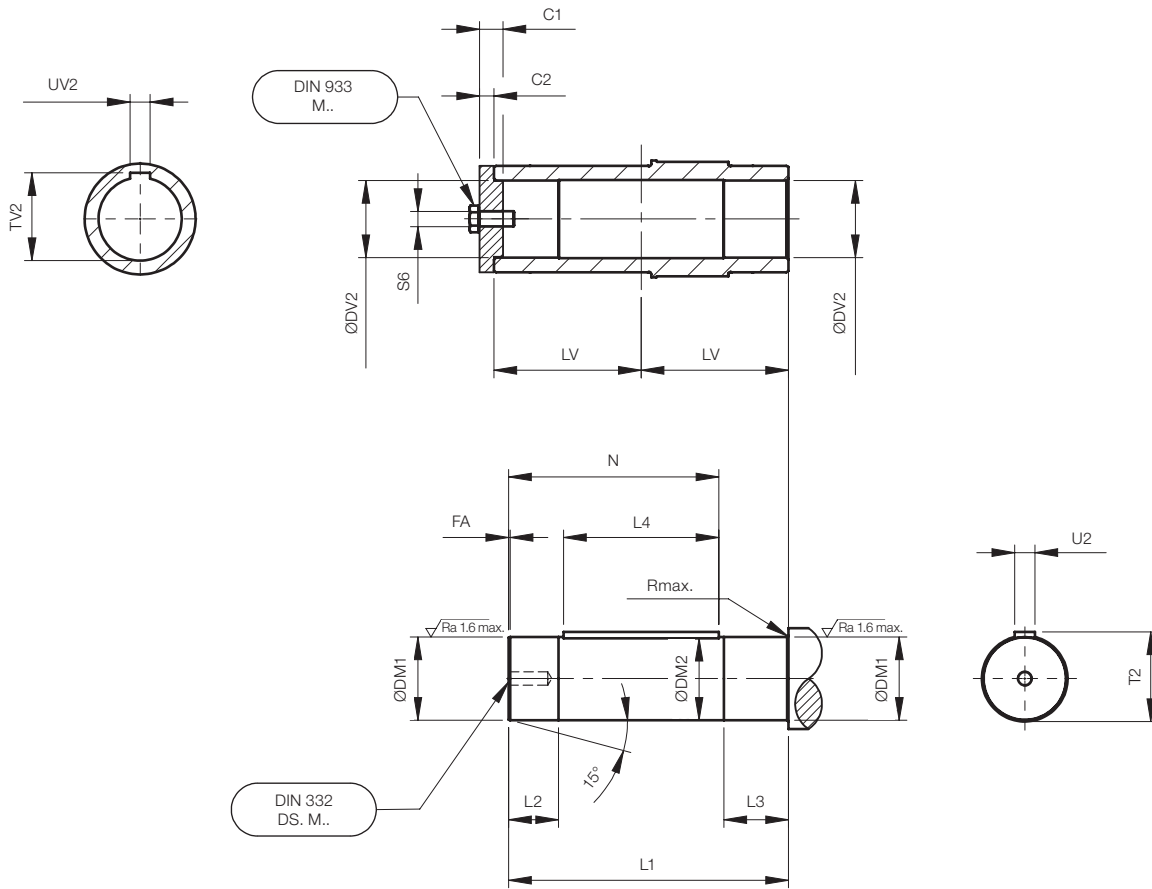
When the gearbox has a cooling system, the pump flow is dimensioned for the necessary thermal exchange in the heat exchanger. If the pump operates at a speed different from the one considered in the heat exchanger calculations, the efficiency of this heat exchanger will be impaired as well as the thermal capacity, and the oil may overheat, causing premature failures.

For gearboxes operating with speed variation (variable speed drive, for example), the recommended lubrication system is with a pump driven by an electric motor. When the pump is driven by an electric motor (pump dimensioned for the motor speed), the line frequency, the desired voltage, the motor characteristics and the motor standard must be informed in the application data. Usually, the characteristics of the lubrication motor follow the main motor, and the system must be started 1 minute before the main motor.



Recommendations for the machine shaft

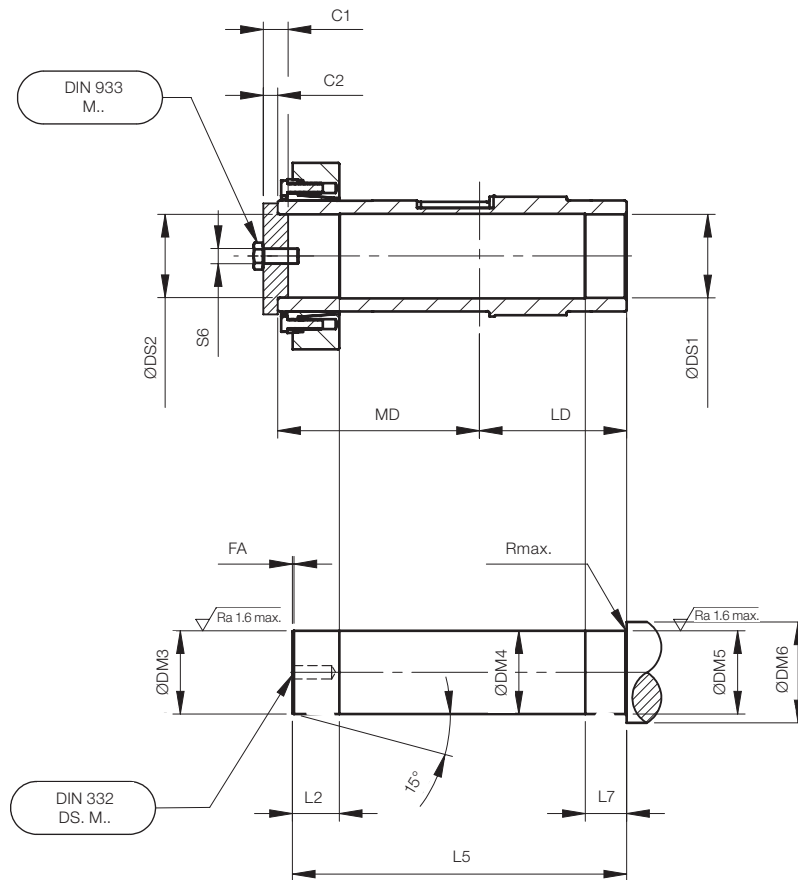
Hollow shaft with keyway



Size	C1	C2	ØDM1	ØDM2	ØDV2	FA	L1	L2	L3	L4	LV	N	R máx.	S6	T2	TV2	U2	UV2	DIN 332 DS. M..	DIN 933 M..
W01	25	12	75 js7	75 h11	75 H8	2	312	47,5	81	120	173	220	1,6	M24	79,5	79,9	20 h9	20 JS9	M20	M20x80-8.8
W02	30	14	85 js7	85 h11	85 H8	2	312,5	45	84	100	176	210	1,6	M30	90	90,4	22 h9	22 JS9	M24	M24x90-8.8
W03	30	14	95 js7	95 h11	95 H8	2	342	53	92	140	190	244,5	1,6	M30	100	100,4	25 h9	25 JS9	M24	M24x90-8.8
W04	30	14	105 js7	105 h11	105 H8	2	347	68	109	160	194	258	1,6	M30	111	111,4	28 h9	28 JS9	M24	M24x90-8.8
W05	30	14	115 js7	115 h11	115 H8	3	418	91	117	200	222	295	2,5	M30	122	122,4	32 h9	32 JS9	M24	M24x80-8.8
W06	30	14	125 js7	125 h11	125 H8	3	422	91	117	200	224	300	2,5	M30	137	137,4	32 h9	32 JS9	M24	M24x80-8.8
W07	36	17	135 js7	135 h11	135 H8	3	483	98	127	245	256	350	2,5	M36	143	143,4	36 h9	36 JS9	M30	M30x90-8.8
W08	36	17	150 js7	150 h11	150 H8	3	483	98	127	245	256	350	2,5	M36	158	158,4	36 h9	36 JS9	M30	M30x90-8.8
W09	36	17	165 js7	165 h11	165 H8	3	555	99	128	315	292	420	2,5	M36	174	174,4	40 h9	40 JS9	M30	M30x90-8.8
W10	36	17	165 js7	165 h11	165 H8	3	555	99	128	315	292	420	2,5	M36	174	174,4	40 h9	40 JS9	M30	M30x90-8.8
W11	36	17	180 js7	180 h11	180 H8	3	609	120	149	330	319	455	2,5	M36	190	190,4	45 h9	45 JS9	M30	M30x90-8.8
W12	36	17	190 js7	190 h11	190 H8	3	609	120	149	330	319	455	2,5	M36	200	200,4	45 h9	45 JS9	M30	M30x90-8.8
W13	36	17	210 js7	210 h11	210 H8	3	675	123	152	380	352	510	2,5	M36	221	221,4	50 h9	50 JS9	M30	M30x90-8.8
W14	36	17	210 js7	210 h11	210 H8	3	675	123	152	380	352	510	2,5	M36	221	221,4	50 h9	50 JS9	M30	M30x90-8.8
W15	45	22	230 js7	230 h11	230 H8	3	767	137	170	440	400	585	2,5	M42	241	241,4	50 h9	50 JS9	M36	M36x110-8.8
W16	45	22	240 js7	240 h11	240 H8	3	767	137	170	440	400	585	2,5	M42	252	252,4	56 h9	56 JS9	M36	M36x110-8.8

Recommendations for the machine shaft

Hollow output shaft with shrink disc



Size	C1	C2	ØDS1	ØDS2	ØDM3	ØDM4	ØDM5	ØDM6	FA	L5	L6	L7	LD	MD	R máx.	S6	DIN 332 DS. M..	DIN 933 M..
W01	15	9	81 H9	80 H7	80 h6	80 h11	81 m6	100	2	423	48	42	173	261	2	M24	M20	M20x45-8.8
W02	15	9	91 H9	90 H7	90 h6	90 h11	91 m6	105	2	429	48	42	176	264	2	M30	M24	M24x55-8.8
W03	15	9	101 H9	100 H7	100 h6	100 h11	101 m6	115	2	465	54	52	190	286	2	M30	M24	M24x55-8.8
W04	15	9	111 H9	110 H7	110 h6	110 h11	111 m6	125	2	479	54	52	194	296	2	M30	M24	M24x55-8.8
W05	30	14	121 H9	120 H7	120 h6	120 h11	121 m6	135	3	524	50	62	222	328	2.5	M30	M24	M24x80-8.8
W06	30	14	131 H9	130 H7	130 h6	130 h11	131 m6	145	3	534	56	62	224	336	2.5	M30	M24	M24x80-8.8
W07	36	17	141 H9	140 H7	140 h6	140 h11	141 m6	155	3	591	79	72	256	364	3	M36	M30	M30x90-8.8
W08	36	17	151 H9	150 H7	150 h6	150 h11	151 m6	165	3	591	79	72	256	364	3	M36	M30	M30x90-8.8
W09	36	17	166 H9	165 H7	165 h6	165 h11	166 m6	180	3	663	93	82	292	400	3	M36	M30	M30x90-8.8
W10	36	17	166 H9	165 H7	165 h6	165 h11	166 m6	180	3	663	93	82	292	400	3	M36	M30	M30x90-8.8
W11	36	17	181 H9	180 H7	180 h6	180 h11	181 m6	195	3	741	103	83	319	451	3	M36	M30	M30x90-8.8
W12	36	17	191 H9	190 H7	190 h6	190 h11	191 m6	205	3	741	106	83	319	451	3	M36	M30	M30x90-8.8
W13	36	17	211 H9	210 H7	210 h6	210 h11	211 m6	230	3	821	111	108	352	498	3	M36	M30	M30x90-8.8
W14	36	17	211 H9	210 H7	210 h6	210 h11	211 m6	230	3	821	111	108	352	498	3	M36	M30	M30x90-8.8
W15	45	22	231 H9	230 H7	230 h6	230 h11	231 m6	250	3	937	131	108	400	570	3	M42	M36	M36x110-8.8
W16	45	22	241 H9	240 H7	240 h6	240 h11	241 m6	260	3	937	131	108	400	570	3	M42	M36	M36x110-8.8

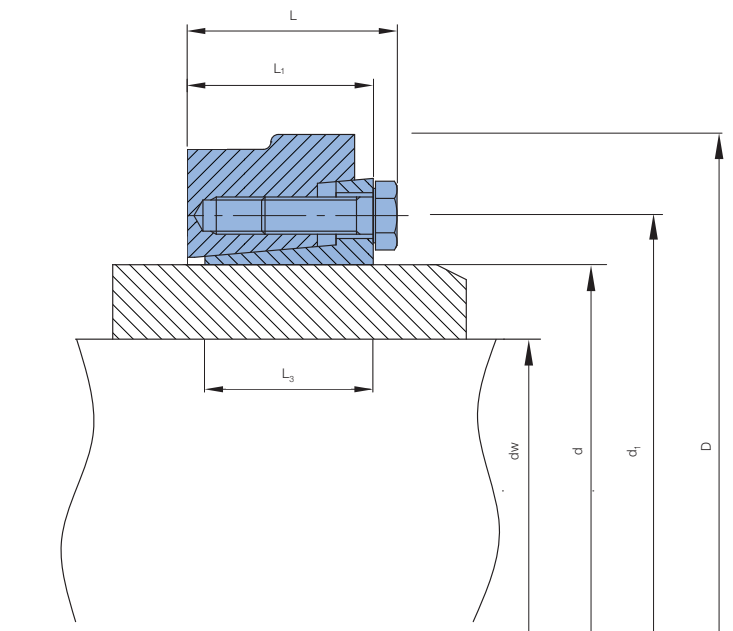
Application instructions - shrink disc

Shrink discs must have a torque greater than the peak torque M_{k2max} —see page 10.

This calculation is necessary because, in cases it is difficult to disassemble the shrink disc from the customer's shaft, the equipment shaft occasionally rotates on the gearbox hollow shaft. As the electric motors have a maximum torque above the rated torque, in starts with load, they can generate a transient moment above the rated one and, therefore, exceed the disk limit and cause the shaft to rotate.

Below, we have a reference table with the permissible torques on the shrink disc for the correct application in gearboxes of the WG50 line.

When using a shrink disc, calculate the gear unit's mechanical service factor (depending on the load class, operating time, etc.) and the torque limit.



Shrink disc							
Size	kNm	dw	d x D	kNm	L	L1	L3
W01	7,5	80	110x185	15,5	56,5	49	11
W02	9,5	90	110x185	20	56,5	49	11
W03	13	100	130x230	29	65,5	58	11
W04	16,5	110	130x230	36	65,5	58	11
W05	22	120	150x263	45,3	71	62	14
W06	28	130	160x290	66,7	78	68	14
W07	36	140	180x320	86,5	97	87	15
W08	46	150	180x320	101,4	97	87	15
W09	58,5	165	220x370	171	116	103	15
W10	67	165	220x370	171	116	103	15
W11	80	180	240x405	215	122	109	15
W12	92	190	240x405	242	122	109	15
W13	115	210	260x430	308,5	129	116	15
W14	132	210	260x430	308,5	129	116	15
W15	158	230	280x460	346,5	135	121	15
W16	182	240	280x460	380	135	121	15

Examples for better understanding:

- Load class: strong.
- Operating time: 24 hours/day.
- Required mechanical service factor: $f_{smec} = 2.00$.
- 75 HP electric motor - 6 poles - 60 Hz.
- Gearbox ratio: 160.
- Starter type: direct-online
- Speed at gearbox input: $n_1 = 1,150$ rpm.
- Speed at gearbox output: $n_2 = 1,150/160 = 7.19$ rpm.
- Torsional moment of the motor at the gearbox output:
 $T_2 = 9550 \cdot 55 / 7.19 = 73053$ Nm

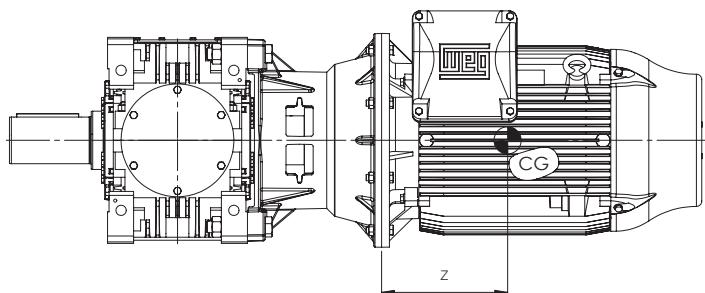
Considering a W15 gearbox, we will have a maximum torque at the gearbox output of 158,000 Nm, which will give the gear reducer service factor of $158,000/73,053$ Nm = 2.16, which meets mechanically. The shrink disc torque is 346,500 Nm. The maximum peak torque for direct-online starter is $M_{k2max} = T_2 \times F_{start}$ (see page 10) > $M_{k2max} = 73053 \times 3 = 219,159$ Nm; and the shrink disc meets the requirements (torque 346,500 Nm).

Limits for mounting the input flange

Maximum motor weight			
Mounting position P1 / Mounting surface S1			
Mounting position P3 / Mounting surface S3			
Mounting	P parallel shafts	R right angle shafts	T right angle shafts
Feet	≤1.5 gearbox weight	≤1.8 gearbox weight	≤2.0 gearbox weight
Torque arm	≤0.5 gearbox weight	≤1.5 gearbox weight	≤1.5 gearbox weight
Flange	≤0.5 gearbox weight	≤0.5 gearbox weight	≤0.5 gearbox weight
Mounting position P5 / Mounting surface S5			
Mounting position P6 / Mounting surface S6			
Mounting	P parallel shafts	R right angle shafts	T right angle shafts
Feet	≤2.0 gearbox weight	≤1.5 gearbox weight	≤1.8 gearbox weight
Flange	≤1.5 gearbox weight	≤0.8 gearbox weight	≤1.2 gearbox weight
Mounting position P4 / Mounting surface S2			
Mounting	P parallel shafts	R right angle shafts	T right angle shafts
Feet	≤1.2 gearbox weight	≤1.8 gearbox weight	≤1.5 gearbox weight
Torque arm	≤0.8 gearbox weight	≤1.0 gearbox weight	≤0.8 gearbox weight
Flange	≤1.0 gearbox weight	≤1.2 gearbox weight	≤1.0 gearbox weight

Maximum motor weight as a function of the frame size

Valid for stationary applications; for mobile applications, consult WEG.



IEC flange (FF)								
Motor frame	Z (CG)	ØP	ØM	ØN		ØS	Screw	Maximum motor weight [kg] ¹⁾
100	138	250	215	180	4	15	M12	63
112	135	250	215	180	4	15	M12	64
132S	155	300	265	230	4	15	M12	118
132	174	300	265	230	4	15	M12	691
160M	218	350	300	250	4	19	M16	234
160	239	350	300	250	4	19	M16	213
180M	245	350	300	250	4	19	M16	229
180	263	350	300	250	4	19	M16	213
200M	265	400	350	300	4	19	M16	289
200	283	400	350	300	4	19	M16	270
225	292	450	400	350	8	19	M16	436
250	372	550	500	450	8	19	M16	849
280	443	550	500	450	8	19	M16	828
315S-L	465	660	600	550	8	24	M20	1491
315	521	660	600	550	8	24	M20	2035
355	552	800	740	680	8	24	M20	2585

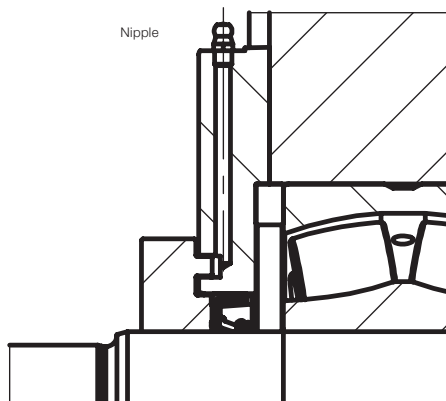
Notes: 1) The motor weight must be linearly decreased as the distance from the center of gravity (z) increases.

2) The weight of the gearbox is based on the motor adapter flange (see pages 172 to 186).

3) The maximum permissible motor weight in the tables above is for 3-stage and 4-stage gearboxes; for 2-stage gearboxes, the maximum permissible motor weight is 15% higher.

Taconite seal

TACONITE seal is recommended for environments with a high concentration of suspended dust. It has a grease chamber that prevents the ingress of external contaminants into the gearbox. See the figure below for an illustration of this type of seal.



The dimension of the gearbox shaft ends (input and output) does not change when this accessory is used. The standard labyrinth seal is already supplied with an initial charge of mineral grease NLGI #2EP, as per the table below.

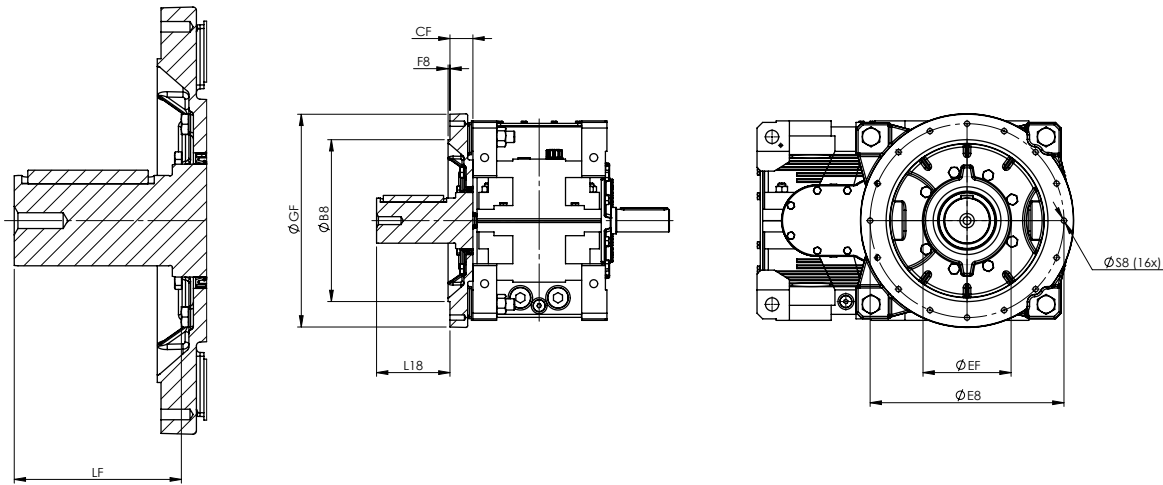
GREASE	BP	CASTROL	TEXACO	MOBIL	SHELL
MINERAL (standard)	ENERGREASE LS EP2	TRIBOL 3020/1000-2	MULTIFAK EP2	BEACON EP2	ALVANIA EP2
Food grade	-	-	FM EP2	-	-

■ For hazardous areas, consult WEG.

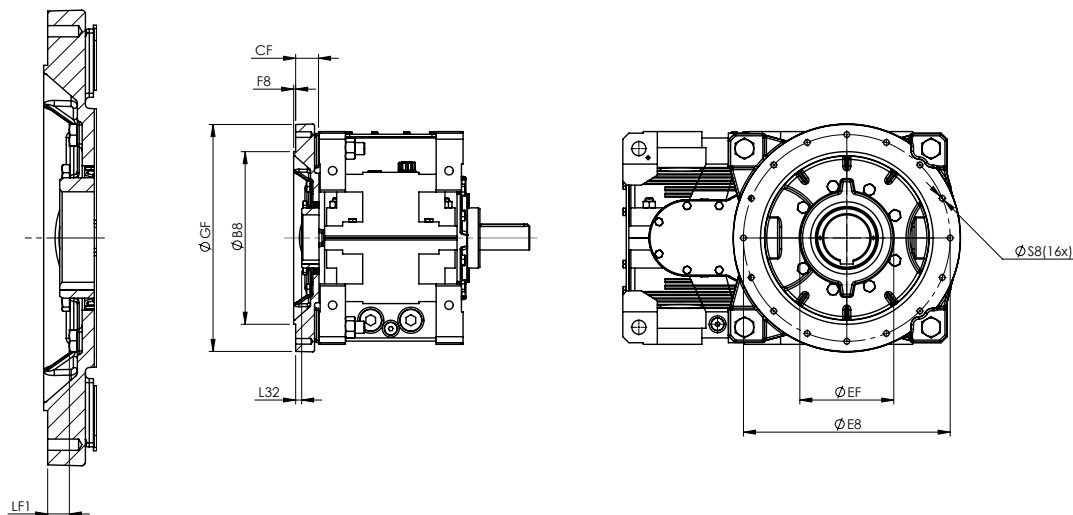


Output Flange B14

Solid Shaft



Hollow Shaft

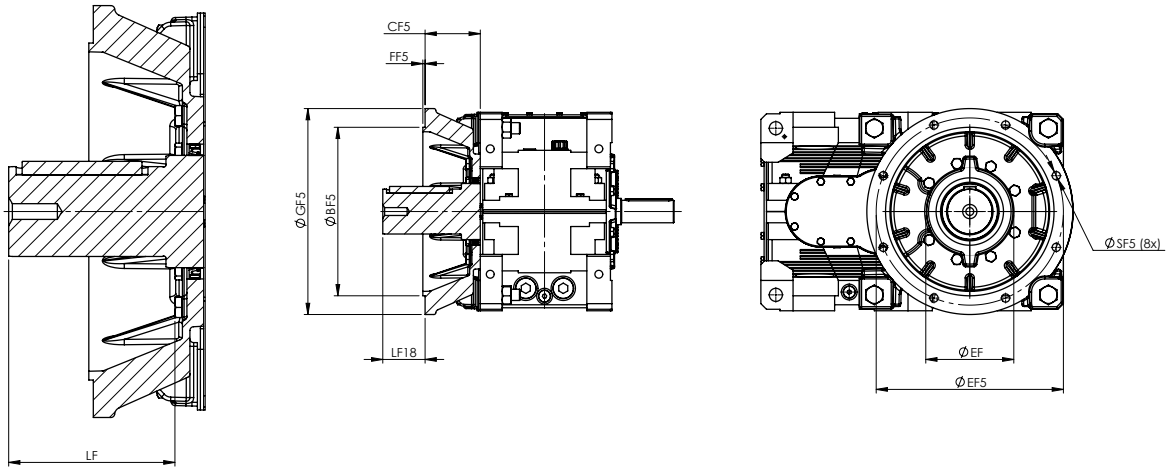


Output Flange B14								Solid Shaft			Hollow Shaft		
Size	ØB8 f7	CF	ØE8	ØEF	F8	ØGF	ØS8 (1.6x)	L18	LF	kg	L32	LF1	kg
W01	300	41	350	178	5	395	M12x1,75x20	172	190	26	2	20	25
W02	300	41	350	188	5	395	M12x1,75x20	175	192	25	5	23	25
W03	340	50	400	210	5	445	M16x2,0x24	200	224	37	10	24	37
W04	340	50	400	220	5	445	M16x2,0x24	204	228	38	6	24	38
W05	430	57	515	235	5	565	M16x2,0x24	195	222	68	15	27	68
W06	430	57	515	255	5	565	M16x2,0x24	237	263	69	13	27	63
W07	520	63,5	620	270	5	670	M20x2,5x30	230	255	203	20	25,3	211
W08	520	63,5	620	295	5	670	M20x2,5x30	280	303	202	20	22,8	200
W09	560	69,5	680	320	5	734	M24x3,0x36	285	315	111	15	29,3	109
W10	560	69,5	680	315	5	734	M24x3,0x36	285	310	111	15	25,3	109
W11	560	76,5	680	375	5	740	M24x3,0x36	278	309	142	15	31	135

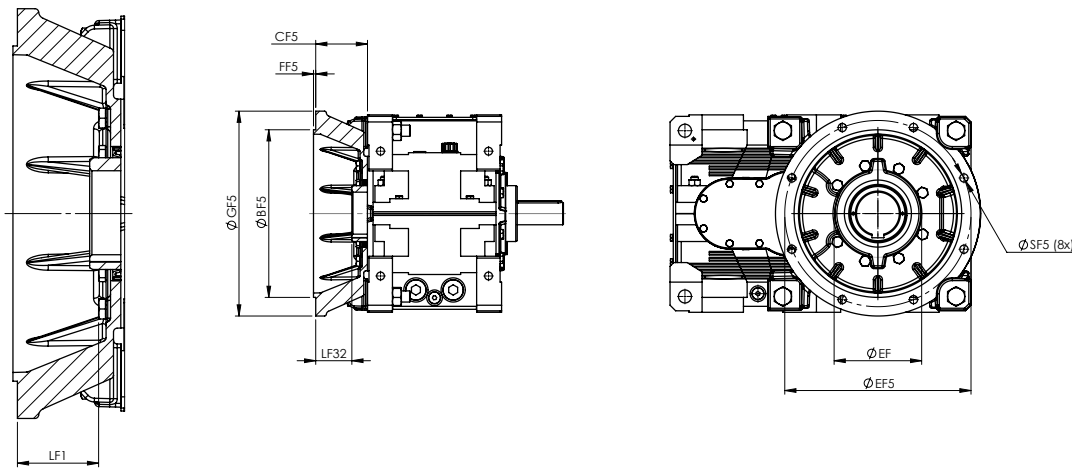
For the gearbox configured with "Output Flange" mounting and "Motor Flange" input type, these cannot be configured on the same side for parallel shaft gearboxes.

Output Flange B5

Solid Shaft



Hollow Shaft

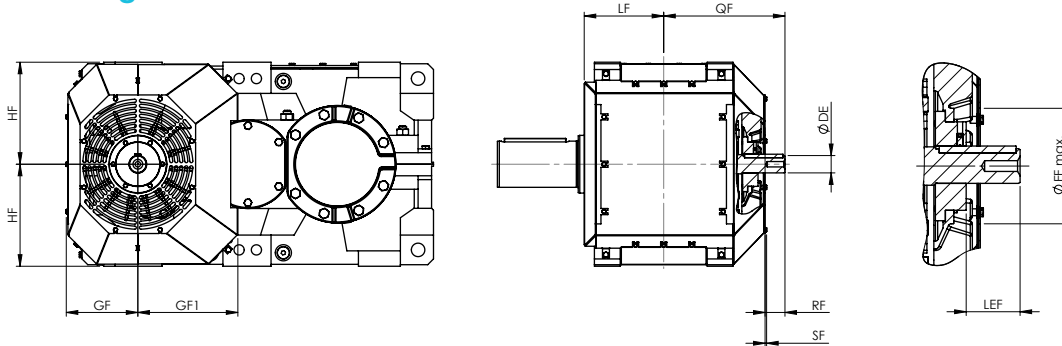


Output Flange B5													
Size	ØBF5 f7	CF5	ØEF5	ØEF	FF5	ØGF5	ØSF5 (8x)	Solid Shaft			Hollow Shaft		
								LF	LF18	kg	LF1	LF32	kg
W03	400	127	450	210	6	500	18	220	123	55	97	87	55
W04	400	127	450	220	6	500	18	224	127	56	97	83	56
W05	450	147,5	500	235	6	550	22	222	113	75	109	97	75
W06	500	188	550	255	7	600	22	264	114	102	150	136	102
W07	550	145,5	600	270	7	660	22	255,5	148	115	107,5	102	113
W08	620	204,5	680	295	7	730	27	343,5	139	136	164	161	134
W09	620	170,5	680	320	7	750	27	316,5	184	145	123,5	116	142
W10	620	170,5	680	315	7	750	27	312,5	184	145	128,5	116	142

For the gearbox configured with "Output Flange" mounting and "Motor Flange" input type, these cannot be configured on the same side for parallel shaft gearboxes.

Parallel Shaft Gearboxes with Fan

2 and 3 Stages



Dimensions in mm

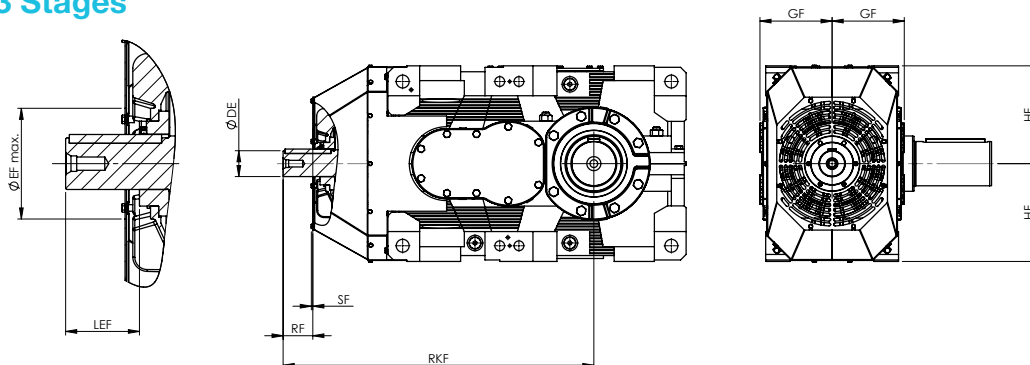
2 Stages												
Size	EFmax	LEF radial	DE	RF	SF	QF	GF1	GF	HF	LF	LEF axial	
W01	130	70	40	56	4	265	150	164	190	157	-	
W02												
W03	140	70	50	50	4	285	180	184	225	177	-	
W04												
W05	150	100	60	45	4	345	195	201	265	207	95	
W06												
W07	170	100	70	76	4	380	241	234	315	249	95	
W08												
W09	170	130	80	66	4	441	65	262	335	287	125	
W10												
W11	215	115	95	96	4	460	303	279	375	301	115	
W12												
W13	270	155	105	128	4	535	332	295	425	329	155	
W14												
W15	270	160	115	126	4	575	297	314	450	358	160	
W16												

3 Stages												
Size	EFmax	LEF radial	DE	RF	SF	QF	GF1	GF	HF	LF	LEF axial	
W01	130	45	32	27	4	235	185	134	190	157	-	
W02												
W03	140	45	38	30	4	255	211	165	225	177	-	
W04												
W05	150	70	45	48	4	315	260	186	265	207	70	
W06												
W07	170	70	50	46	4	350	261	217	315	249	67	
W08												
W09	170	100	60	71	4	405	307	231	335	287	95	
W10												
W11	215	100	65	66	4	425	341	266	375	301	95	
W12												
W13	270	85	75	66	4	455	382	284	425	329	85	
W14												
W15	270	85	75	66	4	485	409	296	450	358	85	
W16												

These dimensions are valid for radial and axial fan options. For the axial fan option, the gearbox must have a single direction of rotation.

Right-Angle Gearboxes with Fan

2 and 3 Stages



Dimensions in mm

2 Stages											
Size	EFmax	LEF radial	DE	RF	SF	QF	GF1	GF	HF	LEF axial	
W01	130	70	45	58	4	656	145	190	-	-	
W02											
W03	140	70	55	54	4	726	167	225	-	-	
W04											
W05	150	100	70	75	4	842	196	265	95	95	
W06											
W07	170	130	80	105	4	984	235	449	125	95	
W08											
W09	215	128	90	100	4	1112	263	335	125	125	
W10											
W11	215	160	100	136	4	1275	281	375	160	115	
W12											
W13	270	160	120	131	4	1415	317	425	160	155	
W14											
W15	270	200	130	159	4	1540	357	450	200	160	
W16											

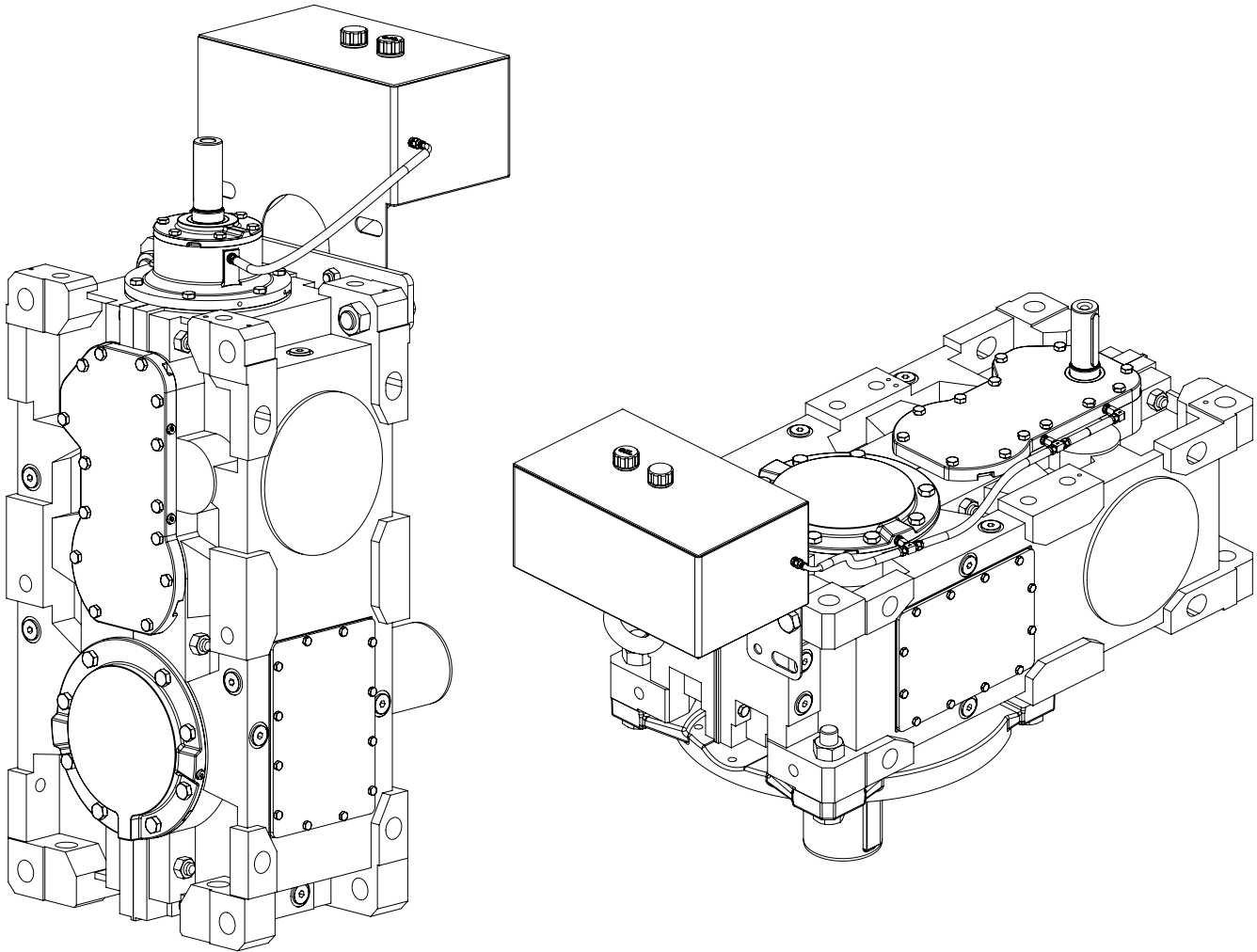
3 Stages											
Size	EFmax	LEF radial	DE	RF	SF	QF	GF1	GF	HF	LEF axial	
W01	130	45	32	27	4	636	145	190	-	-	
W02											
W03	140	54	38	26	4	738	167	225	-	-	
W04											
W05	150	70	45	45	4	888	196	265	70	70	
W06											
W07	170	70	55	49	4	1000	235	315	70	67	
W08											
W09	215	100	70	70	4	1158	261	335	95	95	
W10											
W11	215	120	80	95	4	1327	281	375	120	95	
W12											
W13	270	120	90	103	4	1497	317	425	120	85	
W14											
W15	270	120	90	105	4	1556	357	450	120	85	
W16											

These dimensions are valid for both radial and axial fan options. For the axial fan option, the gearbox must have a single direction of rotation.

Expansion Chamber

For gearboxes in working positions where a high volume of oil is required to lubricate the gears and upper bearings, resulting in high agitation and expansion of oil and air, there is little empty space, which can cause oil leakage through the breather and seals due to high internal pressure. We recommend using an Expansion Chamber. Consult WEG gearboxes for the following cases:

- Orthogonal (T) in working position P1 and Orthogonal (R) in working position P4.
- Parallel and Orthogonal, in working positions P5 and P6.



The scope of WEG Group solutions
is not limited to products and solutions
presented in this catalogue.

To see our portfolio, contact us.

**For WEG's worldwide
operations visit our website**




www.weg.net



 +55 47 3276.4000

 motores@weg.net

 Jaraguá do Sul - SC - Brasil

Cod: 50127287 | Rev: 00 | Date (m/y): 06/2024.

The values shown are subject to change without prior notice.
The information contained is reference values.