

HANDLE LOCK

Applicable to ACW125, ACW250, ACW400, ACW800

Read the manual and warning message for safety before using products.

▣ This manual should be given to the person who actually uses the products and is responsible for their maintenance.

SAFETY PRECAUTION

▣ Before installation, wiring, operation, maintenance and inspection of the device, read the safety precautions carefully and follow the message to ensure proper operations.

⚠ DANGER It may result in death or serious injury.

⚠ CAUTION It may result in injury or physical damage.

⚠ DANGER

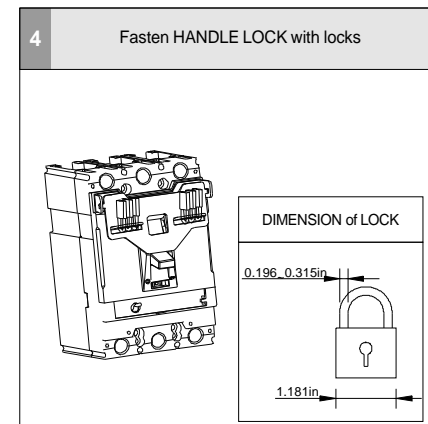
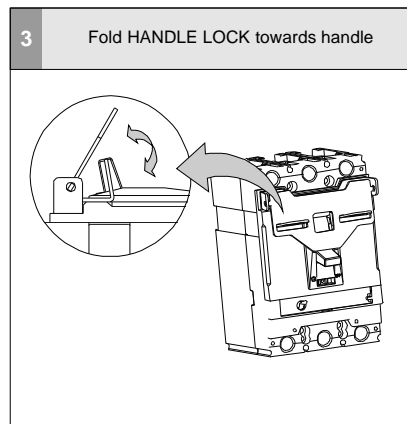
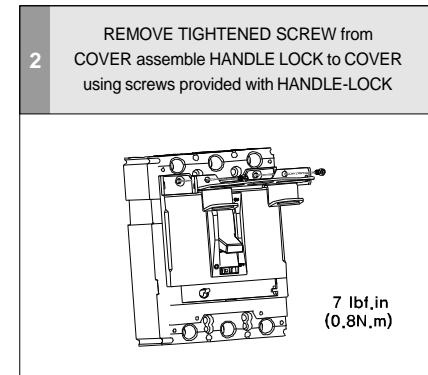
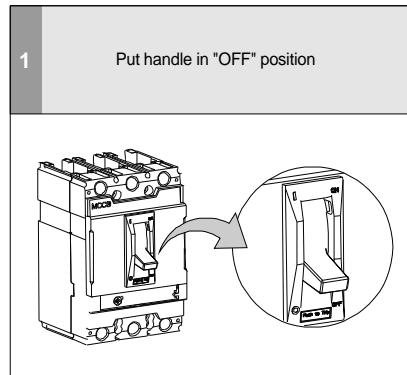
▣ Turn off the power before starting mounting, withdrawing, wiring, maintenance or inspection.
Failure to do may result in electric shocks and burns.

⚠ CAUTION

1. Do not use any deformed or damaged device.
2. Mounting, withdrawing, maintaining and checking should be done by an authorized or certified person.
3. It should not be used in severe environment such as high temperature, high humidity, dusty, corrosive gas, excessive vibration and impulse.
They may result in fire or malfunction.
4. Use the device in a range of the rate current and pole of MCCB.
5. Mounting should be done according to the instruction manual.
Failure to mount may cause malfunction of MCCB or cause an incident which makes the operator hurt.
6. Screws should be tightened to specific torque.
7. Be careful not to be damaged by accidents during transportation or installation.
8. Do not modify the device unless it is permitted.
9. When the device becomes useless, it should be disposed as an industrial waste."

HANDLE LOCK Installation

1-1) Locking at off position (ACW125)



1-2) Locking at on position (ACW125)

1. The HANDLE position of ACW: "OFF" -> "ON"
- 2., 3., 4. : OFF LOCK (Same as OFF LOCK)



2-1) Locking at off position (ACW250-ACW800)

1 Put handle in "OFF" position

2 Remove tightened screw from COVER, assemble HANDLE-LOCK to COVER using screws provided with HANDLE-LOCK

3 Fold HANDLE-LOCK towards handle

4 Fasten HANDLE-LOCK with locks

2-2) Locking at on position (ACW250-ACW800)
 1. The HANDLE position of ACW : "OFF" -> "ON"
 2., 3., 4. : OFF LOCK* Same as OFF LOCK

ACW250	7 lbf.in (0.8N.m)
ACW400	10 lbf.in (1.2N.m)
ACW800	10 lbf.in (1.2N.m)

