

W60

LV and MV W60 WPII STOCK PROGRAM

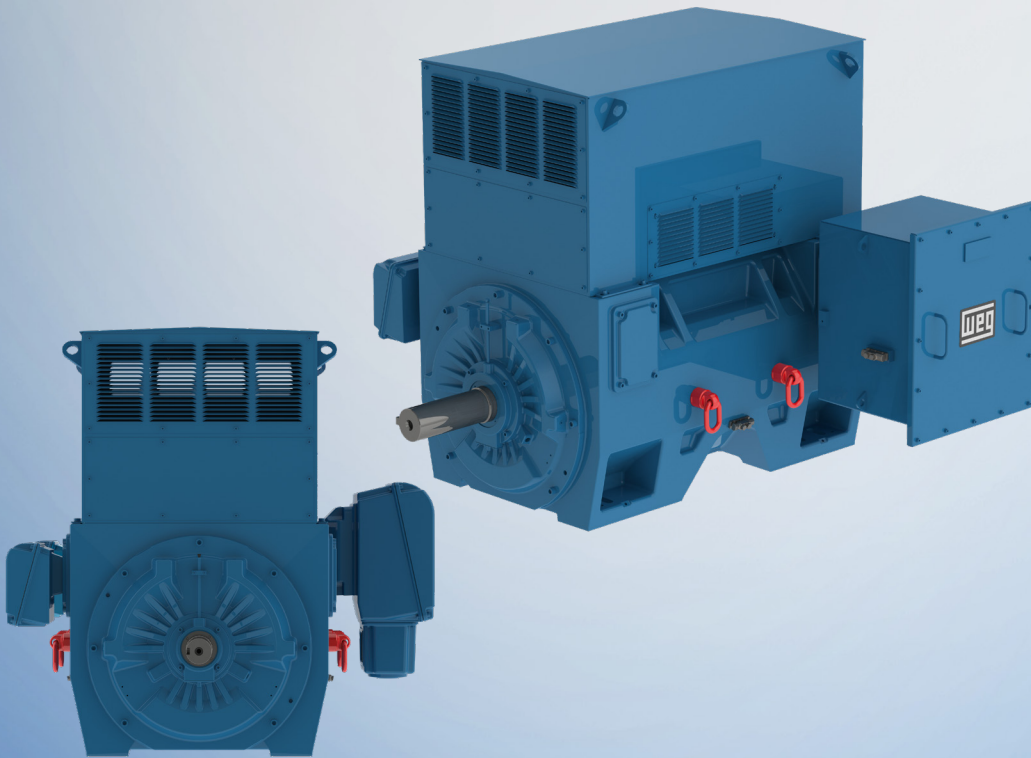
Motors

Automation

Energy

Transmission and
Distribution

Coatings



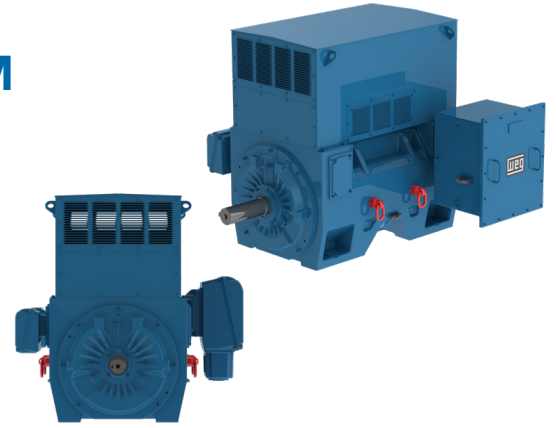
Driving efficiency and sustainability



LV and MV W60 WP11 STOCK PROGRAM

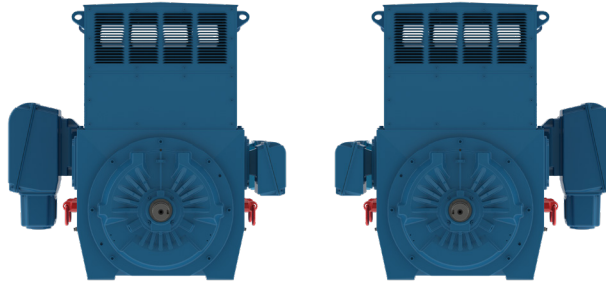
Standard Features:

- Enclosure: WP11 Enclosure
- Frames: 5010/11, 5810/11 and 6810/11 Frames
- Ratings: MV 250 HP to 2250 HP
LV 250 HP to 900 HP
- Speed: 2 and 4 Pole
- Voltage/Freq.: 2300/4000V at 60 Hz
- Temperature Rise: Class B @ 1.00 SF and Class F @ 1.15 SF
- Rotation: 2P machines, unidirectional and 4P machines, bi-directional
- Degree of Protection: WP11 (IP24)
- Laminations: C5
- Winding RTDs: 3 Wire, Platinum 100 - 2 per phase
- Bearing RTDS: 3 Wire, Platinum 100 - 1 per bearing
- Insulation System: Global VPI
- Constant Level Oilers: Trico Oilers
- Filters: Stainless Steel Screens and Filters on air inlet
- Dowel Holes: Yes
- Vertical Jacking Screws: Yes
- Noise Level: 85 dB(A)
- Space Heater: 110/230V
- Efficiency: NEMA Premium
- Bearing Type: MV Motors: Sleeve – Both bearings insulated.
LV Motors: Anti-friction Bearings – NDE Bearing Insulated
- Shaft Material: AISI 4140
- Vibration: API 541 Levels
- Main Terminal Box: Rotatable in 90° increments
- Starting: Suitable for D.O.L.
- V.F.D. Operation: 10:1 VT @ Class B Rise and 2:1 CT @ Class F Rise
- Area Classification: Safe Area and Class I, Div. 2, Gr. A, B, C & D, T3 (CSA)
1.15 SF at D.O.L. Starting and Safe Area

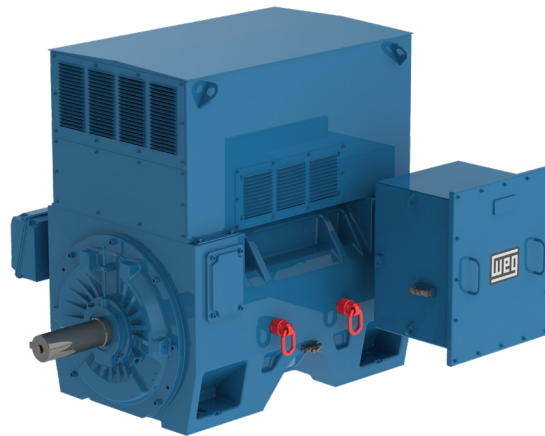


W60 Stock Motor Optional Features and Modifications

- Field conversion from F1 to F2 mounting possible for all motors



- NEMA 4X Type II Main Terminal Box with stand-off insulators and provision for CT (MV motors only)

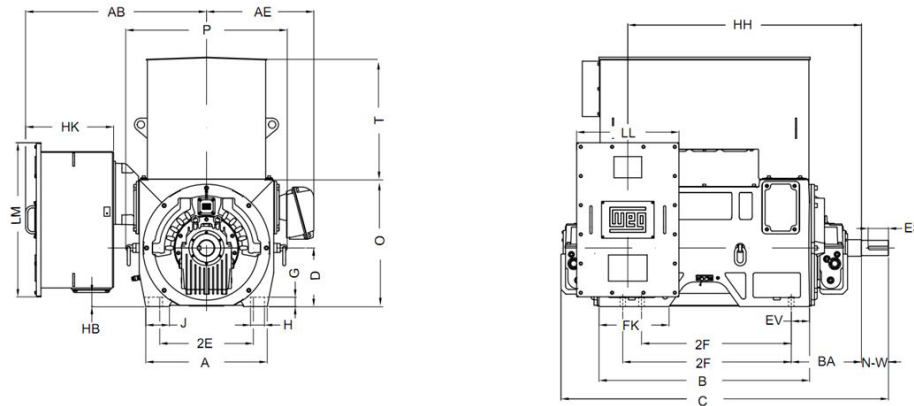


- Installation of WEG Motor Scan
- Differential pressure switch or differential pressure gage
- Installation of Helwig shaft grounding brush (Safe Area)
- Insulated D.E. bearing (End shield)
- Terminal Block (LV motors only)
- Nameplate change (Single rated or Hazardous Area application)
- Installation of CT for Differential protection

- All MV stock motors are available from our Houston, TX warehouse
- MV Stock Brochure and Price lists are available
- How are you going to start these motors? WEG has Soft-Starters and VFDs that are a perfect match for these motors
- Please contact WEG for more information



W60 2 Pole Medium Voltage Motors – WP11 – Sleeve Bearings



NEMA	MOUNTING (in)									
	FRAME	A	B	C	D	G	J	O	P	T
5010	25.957	44.983	72.688	12.500	2.004	5.052	27.185	34.480	26.000	
5011	25.597	44.983	72.688	12.500	2.004	5.052	27.185	34.480	26.000	
L5810	31.399	46.439	74.820	14.500	2.427	5.697	31.102	43.146	36.195	
L5811	31.399	46.439	74.820	14.500	2.427	5.697	31.102	43.146	36.195	
6810	33.820	58.071	86.770	17.000	3.196	7.028	35.043	43.543	31.904	
6811	33.820	58.010	86.770	17.000	3.196	7.028	35.043	43.543	31.904	

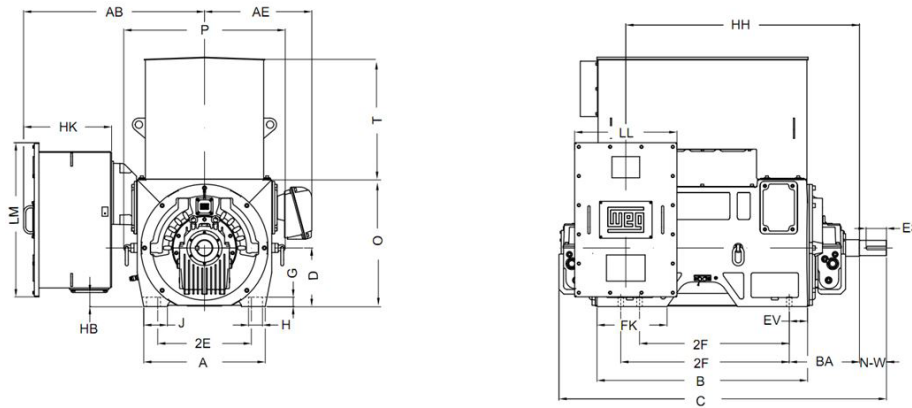
NEMA	MOUNTING (in)				
	FRAME	2E	2F	EV	BA
5010	20.000	32.000	3.901	1.181	17.710
5011	20.000	36.000	3.901	1.181	17.710
L5810	23.000	36.000	3.220	1.181	17.717
L5811	23.000	40.000	3.220	1.181	17.717
6810	27.000	45.000	4.036	1.417	17.717
6811	27.000	50.000	4.036	1.417	17.717

NEMA	KEYWAY (in)			SHAFT EXTENSION (in)		
	FRAME	S	R	ES	N-W	U
5010	0.750	2.831	4.331	5.750	3.250	
5011	0.750	2.831	4.331	5.750	3.250	
L5810	0.875	3.260	5.512	6.750	3.750	
L5811	0.875	3.260	5.512	6.750	3.750	
6810	0.875	3.260	5.512	6.750	3.750	
6811	0.875	3.260	5.512	6.750	3.750	

NEMA	TERMINAL BOX (in)						BEARINGS		
	FRAME	AB	HB	HH	HK	LL	d1	DE	NDE
5010/11	48.608	4.406	48.709	28.254	32.087	DUNC 3/4"-10	FNLB 9-80	FNLB 9-80	
L5810/11	52.150	7.733	50.925	28.254	32.087	DUNC 3/4"-10	FNLB 9-80	FNLB 9-80	
6810/11	52.357	11.476	61.752	28.254	32.087	DUNC 7/8"-9	FNLB 9-80	FNLB 9-80	



W60 4 Pole Medium Voltage Motors – WP11 – Sleeve Bearings



NEMA	MOUNTING (in)									
	FRAME	A	B	C	D	G	J	O	P	T
5010	25.957	44.983	72.688	12.500	2.004	5.052	27.185	34.480	26.000	
5011	25.597	44.983	72.688	12.500	2.004	5.052	27.185	34.480	26.000	
L5810	31.399	46.439	74.820	14.500	2.427	5.697	31.102	43.146	36.195	
L5811	31.399	46.439	74.820	14.500	2.427	5.697	31.102	43.146	36.195	
6810	33.820	58.071	86.770	17.000	3.196	7.028	35.043	43.543	31.904	
6811	33.820	58.010	86.770	17.000	3.196	7.028	35.043	43.543	31.904	

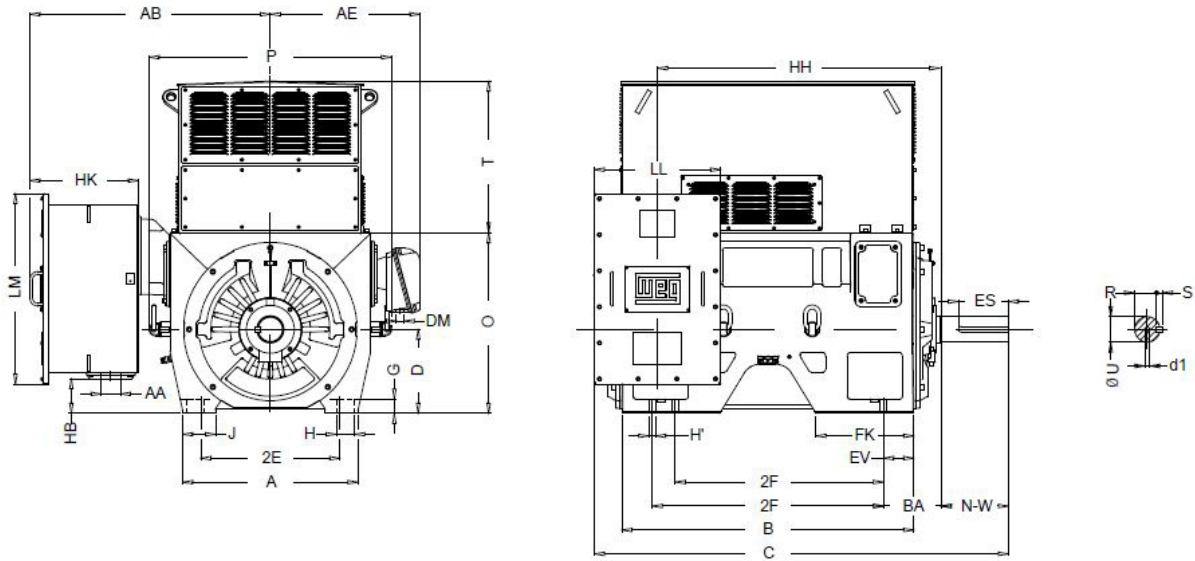
NEMA	MOUNTING (in)					
	FRAME	2E	2F	EV	H	BA
5010	20.000	32.000	3.901	1.181	16.429	
5011	20.000	36.000	3.901	1.181	16.429	
L5810	23.000	36.000	3.220	1.181	14.862	
L5811	23.000	40.000	3.220	1.181	14.862	
6810	27.000	45.000	4.036	1.417	16.860	
6811	27.000	50.000	4.036	1.417	16.860	

NEMA	KEYWAY (in)			SHAFT EXTENSION (in)		
	FRAME	S	R	ES	N-W	U
5010	0.875	3.134	9.055	10.625	3.625	
5011	0.875	3.134	9.055	10.625	3.625	
L5810	1.000	3.690	9.843	11.625	4.250	
L5811	1.000	3.690	9.843	11.625	4.250	
6810	1.000	3.690	9.843	11.625	4.250	
6811	1.000	3.690	9.843	11.625	4.250	

NEMA	TERMINAL BOX (in)						BEARINGS		
	FRAME	AB	HB	HH	HK	LL	d1	DE	NDE
5010/11	48.608	4.406	48.608	28.254	32.087	DUNC 7/8"-9	FNLB 9-90	FNLB 9-90	
L5810/11	52.150	7.733	48.053	28.254	32.087	DUNC 7/8"-9	FNLB 9-100	FNLB 9-100	
6810/11	52.357	11.476	60.897	28.254	32.087	DUNC 7/8"-9	FNLB 9-100	FNLB 9-100	



W60 2 Pole Low Voltage Motors – WP11 – Anti-Friction Bearings



NEMA	MOUNTING (in)									
	FRAME	A	B	C	D	G	J	O	P	T
	5010	25.957	44.983	59.021	12.500	2.004	5.052	27.185	34.480	26.000
5011	25.597	44.983	59.021	12.500	2.004	5.052	27.185	34.480	26.000	

NEMA	MOUNTING (in)					
	FRAME	2E	2F	EV	H	BA
	5010	20.000	32.000	3.901	1.181	8.500
5011	20.000	36.000	3.901	1.181	8.500	

NEMA	KEYWAY (in)			SHAFT EXTENSION (in)		
	FRAME	S	R	ES	N-W	U
	5010	0.750	2.831	4.331	5.750	3.250
5011	0.750	2.831	4.331	5.750	3.250	

NEMA	TERMINAL BOX (in)						BEARINGS		
	FRAME	AB	HB	HH	HK	LL	d1	DE	NDE
	5010/11	43.428	5.468	43.429	11.400	18.110	DUNC 3/4"-10	6218	6218



MV W60 WPII - Two Pole / Sleeve Bearings

HP	Speed	Voltage	Frame Size	Fan Rotation	Catalog Part Number
300	3600	2300/4000	5010/11	CW	40036WT3X5010-W60MV1-R1
300	3600	2300/4000	5010/11	CCW	40036WT3X5010-W60MV2-R1
400	3600	2300/4000	5010/11	CW	40036WT3X5010-W60MV1
400	3600	2300/4000	5010/11	CCW	40036WT3X5010-W60MV2
500	3600	2300/4000	5010/11	CW	70036WT3X5010-W60MV1-R1
500	3600	2300/4000	5010/11	CCW	70036WT3X5010-W60MV2-R1
600	3600	2300/4000	5010/11	CW	70036WT3X5010-W60MV1-R2
600	3600	2300/4000	5010/11	CCW	70036WT3X5010-W60MV2-R2
700	3600	2300/4000	5010/11	CW	70036WT3X5010-W60MV1
700	3600	2300/4000	5010/11	CCW	70036WT3X5010-W60MV2
800	3600	2300/4000	5010/11	CW	90036WT3X5010-W60MV1-R1
800	3600	2300/4000	5010/11	CCW	90036WT3X5010-W60MV2-R1
900	3600	2300/4000	5010/11	CW	90036WT3X5010-W60MV1
900	3600	2300/4000	5010/11	CCW	90036WT3X5010-W60MV2
1000	3600	2300/4000	5010/11	CW	100036WT3X5010-W60MV1
1000	3600	2300/4000	5010/11	CCW	100036WT3X5010-W60MV2
1250	3600	2300/4000	L5810/11	CW	150036WT3X5810-W60MV1-R1
1250	3600	2300/4000	L5810/11	CCW	150036WT3X5810-W60MV2-R1
1500	3600	2300/4000	L5810/11	CW	150036WT3X5810-W60MV1
1500	3600	2300/4000	L5810/11	CCW	150036WT3X5810-W60MV2
1750	3600	2300/4000	N/A	CW	
1750	3600	2300/4000	N/A	CCW	
2000	3600	2300/4000	6810/11	CW	225036WT3X6810-W60MV1-R1
2000	3600	2300/4000	6810/11	CCW	225036WT3X6810-W60MV2-R1
2250	3600	2300/4000	6810/11	CW	225036WT3X6810-W60MV1
2250	3600	2300/4000	6810/11	CCW	225036WT3X6810-W60MV2



MV W60 WPII - Four Pole / Sleeve Bearings

HP	Speed	Voltage	Frame Size	Fan Rotation	Catalog Part Number
250	1800	2300/4000	5010/11	Bidirectional	40018WT3X5010-W60MV-R1
300	1800	2300/4000	5010/11	Bidirectional	40018WT3X5010-W60MV-R2
400	1800	2300/4000	5010/11	Bidirectional	40018WT3X5010-W60MV
500	1800	2300/4000	5010/11	Bidirectional	70018WT3X5010-W60MV-R1
600	1800	2300/4000	5010/11	Bidirectional	70018WT3X5010-W60MV-R2
700	1800	2300/4000	5010/11	Bidirectional	70018WT3X5010-W60MV
800	1800	2300/4000	5010/11	Bidirectional	90018WT3X5010-W60MV-R1
900	1800	2300/4000	5010/11	Bidirectional	90018WT3X5010-W60MV
1000	1800	2300/4000	L5810/11	Bidirectional	125018WT3X5810-W60MV-R1
1250	1800	2300/4000	L580/11	Bidirectional	125018WT3X5810-W60MV
1500	1800	2300/4000	L5810/11	Bidirectional	150018WT3X6810-W60MV
1750	1800	2300/4000	6810/11	Bidirectional	225018WT3X6810-W60MV-R1
2000	1800	2300/4000	6810/11	Bidirectional	225018WT3X6810-W60MV-R2
2250	1800	2300/4000	6810/11	Bidirectional	225018WT3X6810-W60MV



LV W60 WPII - Two Pole / Anti-Friction Bearings

HP	Speed	Voltage	Frame Size	Fan Rotation	Catalog Part Number
250	3600	460	5010/11	CW	30036WT3Q5010-W60LV1-R1
250	3600	460	5010/11	CCW	30036WT3Q5010-W60LV2-R1
300	3600	460	5010/11	CW	30036WT3Q5010-W60LV1
300	3600	460	5010/11	CCW	30036WT3Q5010-W60LV2
400	3600	460	5010/11	CW	60036WT3Q5010-W60LV1-R1
400	3600	460	5010/11	CCW	60036WT3Q5010-W60LV2-R1
500	3600	460	5010/11	CW	60036WT3Q5010-W60LV1-R2
500	3600	460	5010/11	CCW	60036WT3Q5010-W60LV2-R2
600	3600	460	5010/11	CW	60036WT3Q5010-W60LV1
600	3600	460	5010/11	CCW	60036WT3Q5010-W60LV2
700	3600	460	5010/11	CW	90036WT3Q5010-W60LV1-R1
700	3600	460	5010/11	CCW	90036WT3Q5010W60LV2-R1
800	3600	460	5010/11	CW	90036WT3Q5010-W60LV1-R2
800	3600	460	5010/11	CCW	90036WT3Q5010W60LV2-R2
900	3600	460	5010/11	CW	90036WT3Q5010-W60LV1
900	3600	460	5010/11	CCW	90036WT3Q5010W60LV2



WEG MV Soft Starter – SSW7000

WEG's SSW7000 medium voltage solid-state soft starter is an industrial general-purpose starter package for starting & protecting MV AC motors.

Designed to be rugged, reliable and safe, the SSW7000 is a simple and cost-effective solution for starting & protecting MV motors.

Key Features & Advantages:

- 4160V & 2300V models in stock (NEMA 12 & NEMA 3R) up to 3000HP (higher voltages & powers available)
- Suitable for service entrance
- Motor protections active in both DOL & RUN modes eliminating the need for expensive motor protection relays for backup protection
- Pump control utilizes a specific algorithm for centrifugal pumps designed to minimize water hammer and pressure overshoots
- Soft PLC function with license-free software
- Flexible Torque Control (FTC) allows adjusting starting torque limit curve with 3 points (ideal for quadratic loads)

Accessories:

- PT100 monitoring (8x channels)
- Network communication modules
- FLASH memory module



- **Assembled and stocked in the US**
- **NEMA 12 & NEMA 3R enclosures available**
- **Emergency DOL start capability (ATL bypass)**
- **Oriented startup for easy commissioning**
- **UL 347 listed**
- **Ground fault monitoring standard**



WEG's scope of solutions is not limited to the products and solutions presented in this brochure.

Contact WEG for information on additional products and solutions.

For WEG's worldwide operations visit our website



www.weg.net



 **1-800-ASK-4WEG**

 **info-us@weg.net**

 **Duluth, GA**