

Automation

Product End-of-Life Instructions

RESIDUAL SWITCH RDW (25...100A)



Purpose

The dispose of the product must be in accordance with the legislation of the country where they are situated. This document is intended to help end users, direct recyclers or waste treatment facilities to assure the proper end-of-life treatment for the components and materials of the product. The materials shall be separated correctly and disposed for special treatment, when necessary.

Note 1: The intent of this document is to provide guidance on the presence of materials and components at the product/family level, as required by the Directive 2012/19/EU, Waste Electrical and Electronic Equipment (WEEE).

Note 2: Products that comply with the WEEE are marked with a crossed-out wheeled bin symbol, as show beside, which indicates:

- The product cannot be disposed of in a municipal waste collection point;
- It should undergo a waste sorting process of electrical and electronic equipment and batteries;
- The horizontal bar below the wheeled bin indicates the device was placed on the market after August 13, 2005.



Note 3: Products of this range are in accordance with European RoHS Directive 2011/65/EU.

Product overview

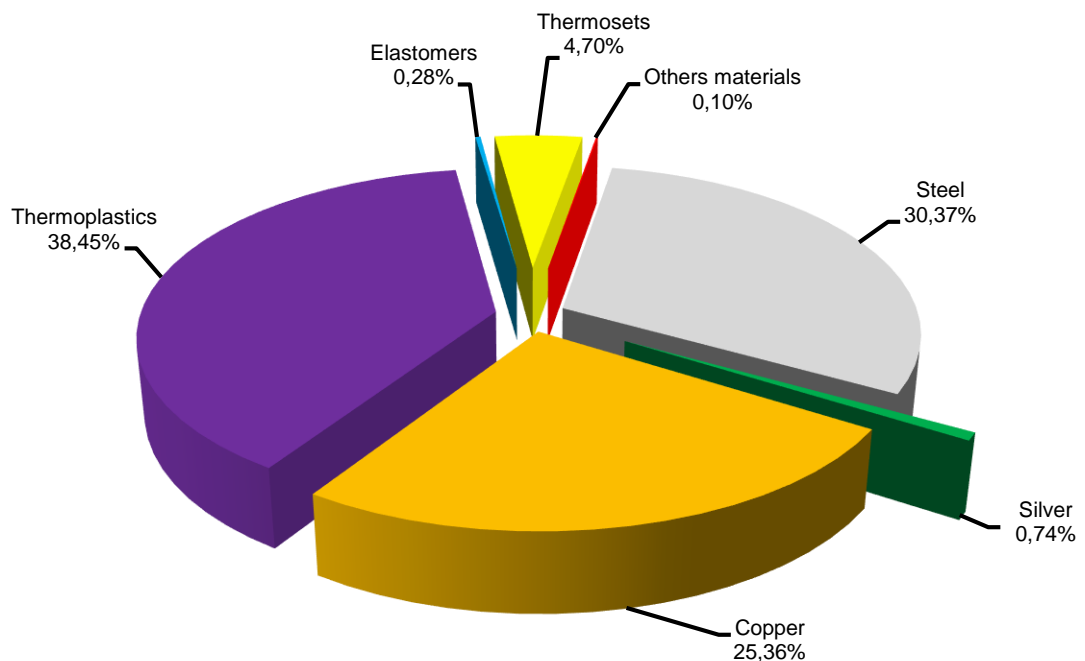
Product Range: RDW 25...100A; two-poles and four-poles;

Size (H x L x D) [mm]: (89 x 35.5 x 74) two-poles; (89 x 70.8 x 74) four-poles.

Weight [g]: Between 155 and 400 excluding packaging.

The analysis used for this product range is based on RDW (25-63A) 4P.

Materials Used or Constituent Materials



The materials used in the product range and the corresponding weight are disposed below, in *table 1*. The information about the constituent materials is referring to model RDW (25-63A) 4P.

Table 1 – Materials and corresponding weight for referring product RDW (25-63A) 4P.

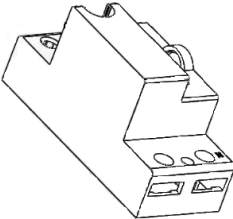
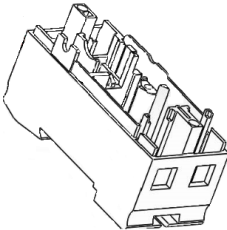
Material	Weight [g]
Steel	87.20
Copper	72.80
Silver	2.12
Thermoplastics	110.40
Elastomers	0.80
Thermosets	13.50
Others materials	0.3



Caution:

* Plastic parts with brominated flame retardant are listed in Table 2. Recommendation: **special treatment.**

Table 2 – Plastic parts with brominated flame retardant.

Components	Weight [g]
	<p>Two – poles: Between 20 and 32</p> <p>Four – poles: Between 32 and 55</p>
	<p>Two – poles: Between 40 and 60</p> <p>Four – poles: Between 68 and 105</p>

Recommended operation for the end-of-life:

Dismantle the product | Remove components | **Recycle it!**

WEG importers in the European Union

AUSTRIA

WATT DRIVE ANTRIEBSTECHNIK
GMBH
Wöllersdorfer Str. 68, 2753 Markt
Piesting
Phone: +43 2633 4040
www.wattdrive.com

FRANCE

WEG FRANCE SAS
13 Rue du Morellon, 38297 Saint
Quentin Fallavier.
Phone: +33 47499 1135
www.weg.net/fr

ITALY

WEG ITALIA S.R.L.
Via Viganò de Vizzi, 93/95, 20092
Cinisello Balsamo, Milano
Phone: +39 6129 3535
www.weg.net/it

PORTUGAL

WEG EURO - INDUSTRIA
ELECTRICA S.A.
R. Eng. Frederico Ulrich 605, 4471-
908 Maia
Phone: +351 229 477 705
www.weg.net/pt

SWEDEN

WEG SCANDINAVIA AB
Box 27, 435 21, 43533 Mölnlycke
Phone: +46 31 888000
www.weg.net/se

BELGIUM

WEG BENELUX S.A.
Rue de l'Industrie 30/D, 1400
Nivelles
Phone: +32 67 888420
www.weg.net/be

GERMANY

WEG GERMANY GMBH
Geigerstraße 7, 50169
Industriegebiet Türnich 3, Kerpen
Phone: +49 2237 92910
www.weg.net/de

NETHERLANDS

WEG NETHERLANDS
Hanzepoort 23C, 7575 DB
Oldenzaal
Phone: +31 541 571090
www.weg.net/nl

SPAIN

WEG IBERIA INDUSTRIAL S.L.
C/ Tierra de Barros, 5-7,
28823 Coslada, Madrid
Phone: +34 91 6553008
www.weg.net/es

UNITED KINGDOM

WEG (UK) LTD
Broad Ground Road, Redditch
B988YP, Worcestershire
Phone: +44 1527 513800
www.weg.net/uk

Information valid for WEG Group Importers.