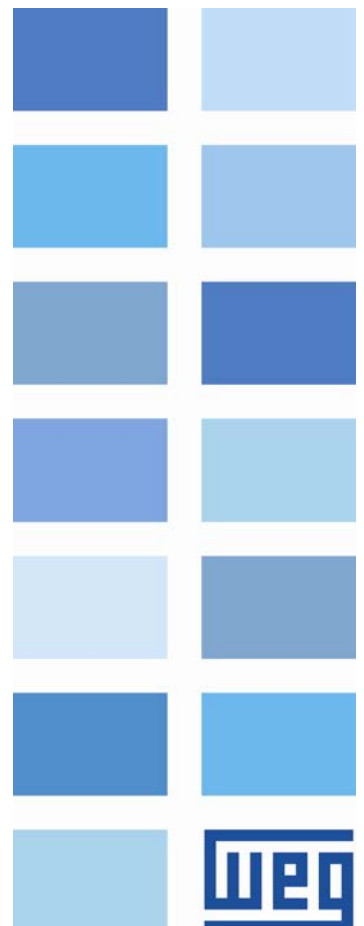


BACnet

CFW300

User's Manual





BACnet User's Manual

Series: CFW300

Language: English

Document Number: 10006901889 / 00

Publication Date: 01/2020

CONTENTS

CONTENTS	3
ABOUT THE MANUAL	5
ABBREVIATIONS AND DEFINITIONS.....	5
NUMERICAL REPRESENTATION	5
DOCUMENTS.....	5
1 INTRODUCTION TO THE SERIAL COMMUNICATION	6
2 INTRODUCTION TO THE BACNET COMMUNICATION	7
2.1 BACNET MS/TP	8
2.1.1 BACnet MS/TP Message Structure.....	8
2.2 ADDRESS.....	10
2.3 BACNET PROFILE	10
2.3.1 ReadProperty (DS-RP-B).....	10
2.3.2 WriteProperty (DS-WP-B)	10
2.3.3 WHO IS / I AM (DM-DDB).....	11
2.3.4 Device Management-Reinitialize Device-B (DM-RD-B)	11
3 INTERFACE DESCRIPTION.....	12
3.1 RS485 COMMUNICATION MODULE (CFW300-CRS485).....	12
3.1.1 RS485 module's connector	12
3.1.2 RS485 Interface Characteristics.....	12
3.1.3 Terminating resistor.....	13
3.1.4 Indications.....	13
3.1.5 Connection with the RS485 Network	13
4 INVERTER PROGRAMMING	14
4.1 SYMBOLS FOR THE PROPERTIES DESCRIPTION	14
P0105 – 1 ST /2 ND RAMP SELECTION	14
P0220 – LOCAL/REMOTE SELECTION SOURCE.....	14
P0221 – SPEED REFERENCE SELECTION – LOCAL SITUATION	14
P0222 – SPEED REFERENCE SELECTION – REMOTE SITUATION	14
P0223 – FORWARD/REVERSE SELECTION – LOCAL SITUATION.....	14
P0224 – RUN/STOP SELECTION – LOCAL SITUATION	14
P0225 – JOG SELECTION – LOCAL SITUATION.....	14
P0226 – FORWARD/REVERSE SELECTION – REMOTE SITUATION	14
P0227 – RUN/STOP SELECTION – REMOTE SITUATION	14
P0228 – JOG SELECTION – REMOTE SITUATION.....	14
P0308 – SERIAL ADDRESS	14
P0310 – SERIAL BAUD RATE	15
P0311 – SERIAL INTERFACE BYTE CONFIGURATION	15
P0312 – SERIAL PROTOCOL	15
P0313 – COMMUNICATION ERROR ACTION.....	16
P0314 – SERIAL WATCHDOG	16
P0316 – SERIAL INTERFACE STATUS	17
P0680 – STATUS WORD	17
P0681 – MOTOR SPEED IN 13 BITS.....	19
P0682 – SERIAL CONTROL WORD.....	19
P0683 – SERIAL SPEED REFERENCE.....	20
P0695 – DIGITAL OUTPUT SETTING.....	21
P0696 – VALUE 1 FOR ANALOG OUTPUTS.....	22
P0697 – VALUE 2 FOR ANALOG OUTPUTS.....	22

P0760 – BACNET EQUIPMENT INSTANCE – HIGH PART	22
P0761 – BACNET EQUIPMENT INSTANCE – LOW PART	23
P0762 – MAXIMUM MASTER NUMBER	24
P0763 – MAXIMUM NUMBER OF MS/TP FRAMES.....	24
P0764 – I AM TRANSMISSION	24
P0765 – NUMBER OF RECEIVED TOKENS	25
5 BACNET OBJECT MODELING	26
5.1 BACNET OBJECTS	27
5.1.1 ANALOG INPUT OBJECT.....	27
5.1.2 ANALOG OUTPUT OBJECT	27
5.1.3 ANALOG VALUE OBJECT	27
5.1.4 BINARY INPUT OBJECT	28
5.1.5 BINARY OUTPUT OBJECT	28
5.1.6 BINARY VALUE OBJECT	28
5.1.7 DEVICE OBJECT	29
5.1.8 Mailbox	29
6 FAULTS AND ALARMS RELATED TO THE SERIAL COMMUNICATION	31
A128/F228 – TIMEOUT FOR SERIAL COMMUNICATION.....	31

ABOUT THE MANUAL

This manual provides the necessary information for the operation of the CFW300 frequency inverter using the BACnet protocol. This manual must be used together with the CFW300 user manual.

ABBREVIATIONS AND DEFINITIONS

ASCII	American Standard Code for Information Interchange
PLC	Programmable Logic Controller
HMI	Human-Machine Interface
ro	Read-only
rw	Read/write

NUMERICAL REPRESENTATION

Decimal numbers are represented by means of digits without suffix. Hexadecimal numbers are represented with the letter 'h' after the number.

DOCUMENTS

The BACnet protocol for the CFW300 was developed based on the following specifications and documents:

Document	Version	Source
Standard 135-2004	1.0	ANSI/ASHRAE/ISO

In order to obtain this documentation, consult BACnet ORG, which is the organization that currently maintains, publishes and updates the information regarding the BACnet network.

1 INTRODUCTION TO THE SERIAL COMMUNICATION

In a serial interface, the data bits are sent sequentially through a communication channel, or busbar. Several technologies use serial communication for data transfer, including the RS232 and RS485 interfaces.

The standards that specify the RS232 and RS485 interfaces, however, do specify neither the format nor the character sequence for data transmission and reception. In this sense, besides the interface, it is also necessary to identify the protocol used for the communication.

The BACnet MS/TP network defines the BACnet message exchange using the RS485 interface as the physical layer.

The characteristics of the RS485 serial interfaces available in the CFW300 frequency inverter, as well as the BACnet protocol, will be presented next.

2 INTRODUCTION TO THE BACNET COMMUNICATION

BACnet, acronym for "Building Automation Control Network", is a protocol defined by the ANSI/ASHRAE/ISO Standard 135-2004. The protocol defines a model for building-automation, describing the interaction between devices and systems. The protocol defines:

- Data and commands structured in an object-oriented model;
- Services that describe the access to data;
- A flexible network architecture.

The BACnet standard defines six types of communication networks for transporting BACnet messages, as showed in the Figure 2.1. The type of network defines the physical and data link layers. The six types of networks are:

- BACnet ARCnet
- BACnet Ethernet
- BACnet Lontalk
- BACnet MS/TP
- BACnet Point-to-Point
- BACnet IP

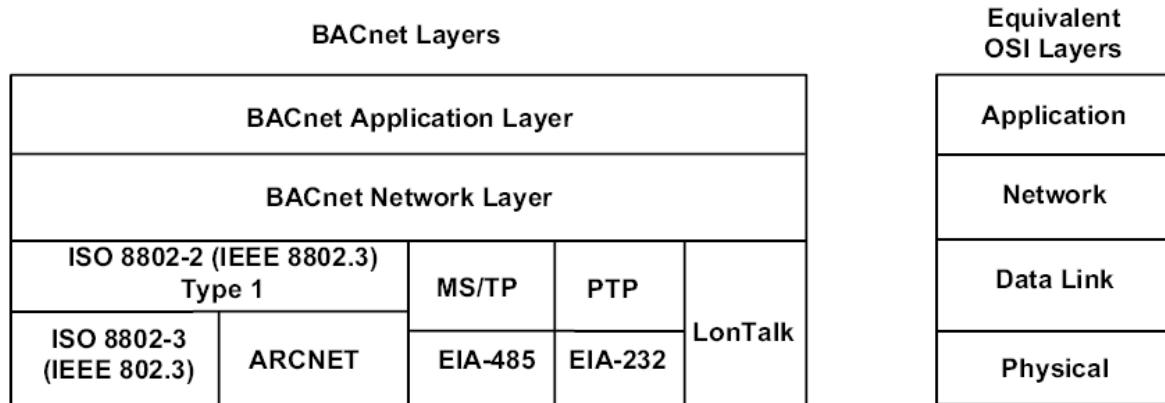


Figure 2.1: BACnet protocol architecture

A BACnet equipment contains an information collection defined as objects and properties.

A BACnet object represents physical or virtual information of the equipment, as a digital or analog input, control variables and parameters. The BACnet standard defines 25 types of objects. Each object is identified by a propriety called Object Identifier, which codifies the object instance type in a 32-bit binary number.

A BACnet property represents characteristics or information of a BACnet object. It is through the properties that other elements can access the equipment information. The property access can be defined as read-only or writing/reading. The BACnet specification defines services that are grouped in five categories:

- Object access
- Device Management
- Alarm and event
- File transfer
- Virtual terminal

BACnet equipments can be classified in six different profiles according to the set of services made available:

- BACnet Operator Workstation (B-OWS)
- BACnet Building Controller (B-BC)

- BACnet Advanced Application Controller (B-AAC)
- BACnet Application Specific Controller (B-ASC)
- BACnet Smart Actuator (B-AS)
- BACnet Smart Sensor (B-SS)

2.1 BACNET MS/TP

In the CFW300, the BACnet protocol was developed using the RS485 standard for the physical and data link layers, called BACnet MS/TP (Master Slave/Token Passing). BACnet MS/TP nodes can be divided into two groups, master nodes and slave nodes, according to the node address range.

The access control to the communication mean is performed in two ways:

- **Master/Slave (MS):** It is used in the communication between a master node and a slave node;
- **Token passing (TP):** Communication only among master nodes. A logical ring is defined and the master that has the token can establish communication with slave nodes and other masters.

In a BACnet MS/TP network, the nodes are initialized and enter the IDLE state, waiting for the arrival of a telegram, which can be:

- Invalid frame: it remains in IDLE;
- Not desired frame: it remains in IDLE;
- Token: it enters the USE TOKEN state, executes the necessary communication (with slaves or other masters) and passes the token to the next node;
- Reception of a Poll of Master: it sends a telegram to the node with the address in the Source Address field;
- Reception of a DataNoReplay: it signalizes the reception to the higher layers;
- Reception of a DataNeedingReplay: it signalizes the reception to the higher layers and sends the requested response.

2.1.1 BACnet MS/TP Message Structure

The BACnet specification defines that the frame can have from 0 up to 501 bytes (octets), and that each byte is composed by 8 bits without parity, with start and stop bits, as showed in the Figure 2.2.

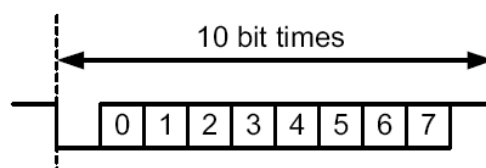


Figure 2.2: Byte structure

Reception (RX): The maximum time between bytes ($T_{framegap}$) is of 20-bit times, and the minimum time between frames ($T_{turnaround}$) after the last byte stop bit is of 40-bit times, according to the Figure 2.3.

Transmission (TX): The RTS signal must be disabled after the end of the stop bit time ($T_{postdrive}$), which is of 15-bit times.

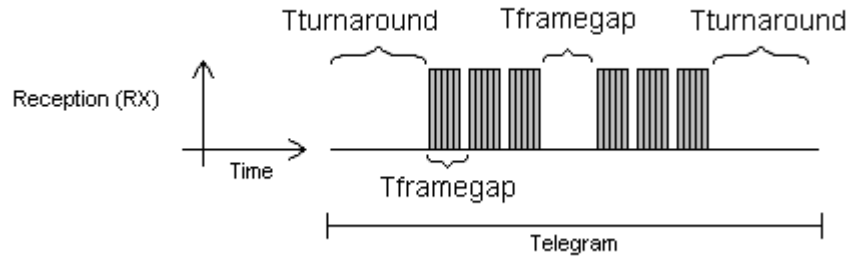


Figure 2.3: BACnet data reception

Header and data, as Figure 2.4 illustrates, form the BACnet data frame.

HEADER								DATA		
0x55	0xFF	Frame type	Destination address	Source address	Length	Length	CRC	Data	CRC	CRC

Figure 2.4: BACnet Frame

Preamble: It is formed by two bytes with the 55h and FFh values respectively.

Frame type: The BACnet specification defines eight frame types, from 0 to 7. Frame Types 8 through 127 are reserved for the specification improvement, and from 128 through 255 are reserved for each vendor specific frames. The defined types are:

- 0 Token
- 1 Poll for master
- 2 Reply to poll for master
- 3 Test request
- 4 Test response
- 5 BACnet data expecting reply
- 6 BACnet data not expecting reply
- 7 Reply postponed

Only master nodes must acknowledge frame types 0, 1 and 2, the slave nodes must ignore them.

Token (0) frame type: it is used in the relationship between master nodes. It does not present data. The master node that has the token can initiate the communication. After sending the maximum number of data frames (Nmax_info_frames) and waiting any expected replies, it must pass the token to the next master.

Poll for Master (1) frame type: It is transmitted periodically during the configuration. It is used to discover the presence of other masters in the network and to determine the token sequence. Master nodes must respond and slave nodes must ignore it. It does not present data.

Reply to Poll for Master (2) frame type: It is the response of the master nodes to the Poll for Master (frame type 1). It does not present data.

Test Request (3) frame type: It is used to start the communication in the MS/TP network. It is applied to send a particular piece of information to a node.

Test Response (4) frame type: It is the response to a Test Request.

BACnet Data Expecting Reply (5) frame type: It is used by master nodes to convey the data parameter of a DL_UNITDATA.request that presents destination address, data, priority and message code, waiting for a response from the destination node.

BACnet Data not Expecting Reply (6) frame type: It is used by master nodes to convey the data parameter of a DL_UNITDATA.request that presents destination address, data, priority and message code. It does not wait for a response from the destination node.

Reply Postponed (7) frame type: It is used by master nodes to indicate that the response to a Data Expecting Reply frame will be sent later. It does not present data.

Destination and source addresses: It is formed by two bytes, destination and source, respectively.

Length: It is formed by two bytes that inform the number of data bytes in the message.

Header CRC: The last part of the header is the fields for checking header transmission errors. The used method is the CRC-8 (Cycling Redundancy Check).

Data: It may present from 0 to 501 bytes, according to the BACnet specification. Data in the CFW300 can present up to 59 bytes.

Data CRC: The last part of the telegram is the field for checking data transmission errors. The used method is the CRC-16 (Cycling Redundancy Check).

2.2 ADDRESS

It presents an address range from 0 to 254, where:

- The range from 0 to 127 is reserved for master or slave nodes;
- The range from 128 to 254 is used only by slave nodes.

The broadcast telegram must have FFh (255) in the destination address field. The serial address is set using parameter P0308 in the CFW300.

2.3 BACNET PROFILE

The BACnet profile developed for the CFW300 is the B-ASC, with communication management services and data sharing that presents the following BIBBs (BACnet interoperability Building Blocks):

- DATA SHARING:
 - DS-RP-B: ReadProperty;
 - DS-WP-B: WriteProperty.
- DEVICE and NETWORK MGMT:
 - DM-DDB-B: WHO IS / I AM;
 - DM-DCC-B: Device Communication Control
 - DM-DOB-B: Device Management Dynamic Object Binding B
 - DM-RD-B: Device Management-Reinitialize Device-B.

2.3.1 ReadProperty (DS-RP-B)

A BACnet client (node performing a request to a server node) uses the ReadProperty service to obtain a BACnet object property value. This service allows reading access to the properties that have the R (reading) access type.

2.3.2 WriteProperty (DS-WP-B)

A BACnet client uses the WriteProperty service to modify the value of a specific BACnet object property. This service allows writing access to the properties that have the W (write) or C (commandable) access type.

2.3.3 WHO IS / I AM (DM-DDB-B)

The WHO IS / I AM service is used to identify the devices connected to the network. The WHO IS message is sent by the BACnet controller, and the nodes respond with an I AM message, informing their Object Identifier and address. The I AM message is transmitted in broadcast, and can be transmitted during initialization or continuous, according to the parameter P0764.

2.3.4 Device Management-Reinitialize Device-B (DM-RD-B)

The Reinitialize Device service is used to remotely reinitialize the equipment and uses a password to validate the service execution. The BACnet standard defines that the password is a string (set of ASCII characters) with up to 20 positions. The password used for the CFW300 remote reinitialization is the same one used to allow the access for parameter content modifications, informed in the parameter P0000. This password can be a number between 0000 and 9999.

The BACnet password for the CFW300 is a 4-character string. Therefore, the BACnet password can be a number between 0000 and 9999. E.g., considering that the CFW300 default password is 5, the remote reinitialization service will only be executed if the received password is "0005".

3 INTERFACE DESCRIPTION

The interfaces for serial communication RS485 of the CFW300 frequency inverter is presented below.

3.1 RS485 COMMUNICATION MODULE (CFW300-CRS485)



Figure 3.1: Module with RS485 interface

This plug-in module for the CFW300 frequency inverter has one RS485 interface. This standard RS485 interface has two functions:

- Point to Point Connection with remote keypad, via mini USB¹ connector.
- Connection via RS485 for network operation, via terminals.



DANGER!

The mini USB connector is not USB compatible, therefore, It cannot be connected to USB ports. This connector only serves as the interface between the frequency inverter and Its remote keypad.



NOTE!

Although RS485 communication signal is available on both connectors – mini USB and control terminal – these signals are the same (internally). For this reason, it is not possible to use RS485 interface as command source or reference source and remote keypad at the same time.

3.1.1 RS485 module's connector

The RS485 interface connections are available via control terminal using the following pin assignment:

Table 3.1: RS485 connector pinout for the module (CFW300-CRS485)

Conector		Description
25	RS485 – A (-)	RS485 (Terminal A)
26	RS485 – B (+)	RS485 (Terminal B)
27	GND	Referência 0 V
28	Shield (PE)	Blindagem do cabo
29	N.C.	Sem conexão

3.1.2 RS485 Interface Characteristics

- The interface follows the EIA/TIA-485 standard.

¹ For connections that require distances greater than 3 meters, use remote keypad connection via control terminal.

- It allows communication baud rates from 9600 up to 76800bit/s.
- The interface is electrically isolated and with differential signal, which grants more robustness against electromagnetic interference.
- It allows the connection of up to 32 devices to the same segment. More devices can be connected by using repeaters².
- A maximum bus length of 1000 meters.

3.1.3 Terminating resistor

It is necessary to enable a terminating resistor at both ends of the main bus for each segment of the RS485 network. If the equipment located at both ends of the bus does not have termination resistors, use active terminating to enable these resistors.

Table 3.2: Configuration of the switches to configure the RS485

Switch Setting	Option
S1.1 = OFF e S1.2 = OFF	RS485 Termination off
S1.1 = ON e S1.2 = ON	RS485 Termination on
S1.1 = OFF e S1.2 = ON	This combination is not allowed
S1.1 = ON e S1.2 = OFF	

3.1.4 Indications

Details on the alarms, communications failures and communication states are made through the keypad (HMI) and product parameters.

3.1.5 Connection with the RS485 Network

The following points must be observed for the connection of the device using the RS485 interface:

- It is recommended the use of a shielded cable with a twisted pair of wires.
- It is also recommended that the cable has one more wire for the connection of the reference signal (GND). In case the cable does not have the additional wire, then the GND signal must be left disconnected.
- The cable must be laid separately (and far away if possible) from the power cables.
- All the network devices must be properly grounded, preferably at the same ground connection. The cable shield must also be grounded.
- Enable the termination resistors only at two points, at the extremes of the main bus, even if there are derivations from the bus.

² The limit of devices that can be connected on the network depends on the protocol used.

4 INVERTER PROGRAMMING

Next, only the CFW300 frequency inverter parameters related to the BACnet communication will be presented.

4.1 SYMBOLS FOR THE PROPERTIES DESCRIPTION

RO	Read-only parameter
CFG	Parameter that can be changed only with a stopped motor
Net	Parameter visible on the HMI if the inverter has the network interface installed – RS232, RS485, CAN, Anybus-CC, Profibus – or if the USB interface is connected
Serial	Parameter visible on the HMI if the inverter has the RS232 or RS485 interface installed

P0105 – 1ST/2ND RAMP SELECTION

P0220 – LOCAL/REMOTE SELECTION SOURCE

P0221 – SPEED REFERENCE SELECTION – LOCAL SITUATION

P0222 – SPEED REFERENCE SELECTION – REMOTE SITUATION

P0223 – FORWARD/REVERSE SELECTION – LOCAL SITUATION

P0224 – RUN/STOP SELECTION – LOCAL SITUATION

P0225 – JOG SELECTION – LOCAL SITUATION

P0226 – FORWARD/REVERSE SELECTION – REMOTE SITUATION

P0227 – RUN/STOP SELECTION – REMOTE SITUATION

P0228 – JOG SELECTION – REMOTE SITUATION

These parameters are used in the configuration of the command source for the CFW300 frequency inverter local and remote situations. In order that the device be controlled through the BACnet interface, the options 'serial' available in these parameters, must be selected.

The detailed description of these parameters is found in the CFW300 programming manual.

P0308 – SERIAL ADDRESS

Range:	1 to 247	Default: 1
Properties:	CFG	

Description:

It allows programming the address used for the inverter serial communication. It is necessary that each device in the network has an address different from all the others. The valid addresses for this parameter depend on the protocol programmed in P0312:

- P0312 = 2 (Modbus RTU) → valid addresses: 1 to 247.
- P0312 = 3 (BACnet MS/TP) → valid addresses: 0 to 254.
- P0312 = 4 (Reserved).



NOTE!

The equipment must be initialized when the serial address is changed.

P0310 – SERIAL BAUD RATE

Range:	0 = 9600 bits/s 1 = 19200 bits/s 2 = 38400 bits/s 3 = 57600 bits/s 4 = 76800 bits/s	Default: 1
Properties:	CFG	

Description:

It allows programming the baud rate for the serial communication interface, in bits per second. This baud rate must be the same for all the devices connected to the network.

P0311 – SERIAL INTERFACE BYTE CONFIGURATION

Range:	0 = 8 data bits, no parity, 1 stop bit 1 = 8 data bits, even parity, 1 stop bit 2 = 8 data bits, odd parity, 1 stop bit 3 = 8 data bits, no parity, 2 stop bits 4 = 8 data bits, even parity, 2 stop bits 5 = 8 data bits, odd parity, 2 stop bits	Default: 1
Properties:	CFG	

Description:

It allows programming the number of data bits, parity and stop bits of the serial interface bytes. This configuration must be identical for all the devices connected to the network.


NOTE!

The option 0 must be selected for the BACnet protocol.

P0312 – SERIAL PROTOCOL

Range	0 = Reservado	Default: 2
Valores:	1 = Reservaded 2 = Modbus RTU Slave 3 = BACnet MS/TP 4 = Reservaded 5 = Modbus RTU Master	
Properties:	CFG	

Description:

It allows selecting the desired protocol for the serial interface.

Tabela 4.1: 312 options

Option	Description
0 ... 1 = Reserved	
2 = Modbus RTU Slave	This option selects Modbus RTU slave as the communication protocol.
3 = BACnet	This option selects BACnet MS/TP as the communication protocol.
4 = Reserved	
5 = Modbus RTU Master	This option selects Modbus RTU master as the communication protocol.


NOTA!

For further details about Modbus RTU Master, refer to the help menu of the WPS software. This functionality is available from firmware version V1.3X up (see P023).

P0313 – COMMUNICATION ERROR ACTION

Range:	0 = Inactive 1 = Disable via Run/Stop 2 = Disable via General Enable 3 = Change to Local 4 = Change to Local keeping commands and reference 5 = Causes a Fault	Default: 1
Properties:	CFG	

Description:

It allows the selection of the action to be executed by the device, if it is controlled via network and a communication error is detected.

Table 4.1: P0313 options

Options	Description
0 = Inactive	No action is taken and the drive remains in the existing status.
1 = Disable via Run/Stop	A stop command with deceleration ramp is executed and the motor stops according to the programmed deceleration ramp.
2 = Disable via General Enable	The drive is disabled by removing the General Enabling and the motor coasts to stop.
3 = Change to Local	The drive commands change to Local.
4 = Change to Local keeping commands and reference	The drive commands change to Local, but the status of the enabling and speed reference commands received via network are kept, providing that the drive has been programmed to use in Local mode the commands via HMI, or 3-wire start/stop and speed reference via either HMI or electronic potentiometer.
5 = Causes a Fault	Instead of an alarm, the communication error causes a drive fault, so that a drive fault reset becomes necessary in order to restore normal operation.

The following events are considered communication errors:

Serial communication (RS485):

- A128 alarm/F228 fault: Serial communication timeout

The actions described in this parameter are executed by means of the automatic writing of the selected actions in the respective bits of the interface control words. Therefore, in order that the commands written in this parameter be effective, it is necessary that the device be programmed to be controlled via the used network interface (with exception of option “Causes a Fault”, which blocks the equipment even if it is not controlled by network). This programming is achieved by means of parameters P0220 to P0228.

P0314 – SERIAL WATCHDOG

Range:	0.0 to 999.0s	Default: 0.0
Properties:	CFG	

Description:

It allows programming a time limit for the detection of serial interface communication error. If the frequency inverter remains without receiving valid telegrams longer than the time programmed in this parameter, it will be considered that a communication error has occurred, the alarm A128 will be showed on the HMI and the option programmed in P0313 will be executed.

After being powered up, the frequency inverter starts counting this time from the first received valid telegram. The value 0.0 disables this function.

P0316 – SERIAL INTERFACE STATUS

Range:	0 = Inactive 1 = Active 2 = Watchdog error	Default: -
Properties:	RO	

Description:

It allows identifying whether the serial communication presents errors.

Table 4.2: P0316 options

Options	Description
0 = Inactive	Serial interface without valid data traffic.
1 = Active	Serial interface with valid data traffic.
2 = Watchdog error	The serial interface is active, but a serial communication error has been detected - A128 alarm/F228 fault.

P0680 – STATUS WORD

Range:	0000h to FFFFh	Default: -
Properties:	RO	

Description:

It allows the device status monitoring. Each bit represents a specific status:

Bits	15	14	13	12	11	10	9	8	7	6	5	4	3	2	1	0
Função	Em Falha	Reservado	Subtensão	LOC/REM	JOG	Sentido de Giro	Habilitado Geral	Motor Girando	Em Alarme	Em modo de configuração	Segunda Rampa	Parada Rápida Ativa	Bypass	Fire Mode		Reservado

Table 4.3: P0680 parameter bit functions

Bits	Values
Bit 0	Reserved.
Bit 1 Run command	0: Run command is inactive. 1: Run command is active. This bit is mapped in the BV1 object
Bit 2 Fire Mode	0: Drive is not in Fire Mode. 1: Drive is in Fire Mode. This bit is mapped in the BV2 object
Bit 3 Bypass	0: Drive is not in Bypass mode. 1: Drive is in Bypass mode. This bit is mapped in the B3 object
Bit 4 Active quick stop	0: The fast stop command is not active. 1: The drive is executing the fast stop command. This bit is mapped in the BV4 object
Bit 5 Second ramp	0: The drive is configured to use the first ramp values, programmed in P0100 and P0101, as the motor acceleration and deceleration ramp times. 1: The drive is configured to use the second ramp values, programmed in P0102 and P0103, as the motor acceleration and deceleration ramp times. This bit is mapped in the BV5 object
Bit 6 In configuration mode	0: The drive is operating normally. 1: The drive is in the configuration mode. It indicates a special condition during which the drive cannot be enabled: Executing the self-tuning routine Executing the oriented start-up routine Executing the HMI copy function Executing the flash memory card self-guided routine There is a parameter setting incompatibility There is no power at the drive power section This bit is mapped in the BV6 object
Bit 7 Alarm condition	0: The drive is not in alarm condition. 1: The drive is in alarm condition. Note: The alarm number can be read by means of the parameter P0048 – Present Alarm. This bit is mapped in the BV7 object
Bit 8 Motor Running	0: The motor is stopped. 1: The drive is running the motor at the set point speed or executing either the acceleration or the deceleration ramp. This bit is mapped in the BV8 object
Bit 9 Active General Enable	0: General Enable is not active. 1: General Enable is active and the drive is ready to run the motor. This bit is mapped in the BV9 object
Bit 10 Speed direction	0: The motor is running in the reverse direction. 1: The motor is running in the forward direction. This bit is mapped in the BV10 object
Bit 11 JOG	0: Inactive JOG function. 1: Active JOG function. This bit is mapped in the BV11 object
Bit 12 LOC/REM	0: Drive in Local mode. 1: Drive in Remote mode. This bit is mapped in the BV12 object
Bit 13 Undervoltage	0: No Undervoltage. 1: With Undervoltage. This bit is mapped in the BV13 object

Bit 14	Reserved. This bit is mapped in the BV14 object
Bit 15 Fault condition	0: The drive is not in a fault condition. 1: The drive has detected a fault. Note: The fault number can be read by means of the parameter P0049 – Present Fault. This bit is mapped in the BV15 object

P0681 – MOTOR SPEED IN 13 BITS

Range:	- 32768 to 32767	Default: -
Properties:	RO	

Description:

It allows monitoring the motor speed. This word uses 13-bit resolution with signal to represent the motor rated frequency (P0403):

- P0681 = 0000h (0 decimal) → motor speed = 0
- P0681 = 2000h (8192 decimal) → motor speed = rated frequency

Intermediate or higher speed values in rpm can be obtained by using this scale. E.g. 60Hz rated frequency if the value read is 2048 (0800h), then, to obtain the speed in Hz one must calculate:

8192 => 60 Hz 2048 => Frequency in Hz
$\text{Frequency in Hz} = \frac{60 \times 2048}{8192}$
Frequency in Hz = 15 Hz

Negative values in this parameter indicate that the motor is running in the reverse direction.

P0682 – SERIAL CONTROL WORD

Range:	0000h to FFFFh	Default: 0000h
Properties:	-	

Description:

It is the device BACnet interface control word. This parameter can only be changed via serial interface. For the other sources (HMI, etc.) it behaves like a read-only parameter.

In order to have those commands executed, it is necessary to program the equipment to be controlled via serial. This programming is achieved by means of parameters P0105 and P0220 to P0228.

Each bit of this word represents a command that can be executed.

Bits	15 to 8	7	6	5	4	3	2	1	0
Function	Reserved	Fault reset	Reserved	Second ramp	LOC/REM	JOG	Speed direction	General enable	Run/Stop

Table 4.4: P0682 parameter bit functions

Bits	Values
Bit 0 Run/Stop	0: It stops the motor with deceleration ramp. 1: The motor runs according to the acceleration ramp until reaching the speed reference value. This bit is mapped in the object BV16
Bit 1 General enable	0: It disables the drive, interrupting the supply for the motor. 1: It enables the drive allowing the motor operation. This bit is mapped in the object BV17
Bit 2 Speed direction	0: To run the motor in a direction opposed to the speed reference. 1: To run the motor in the direction indicated by the speed reference. This bit is mapped in the object BV18
Bit 3 JOG	0: It disables the JOG function. 1: It enables the JOG function. This bit is mapped in the object BV19
Bit 4 LOC/REM	0: The drive goes to the Local mode. 1: The drive goes to the Remote mode. This bit is mapped in the object BV20
Bit 5 Second ramp	0: The drive uses the first ramp values, programmed in P0100 and P0101, as the motor acceleration and deceleration ramp times. 1: The drive is configured to use the second ramp values, programmed in P0102 and P0103, as the motor acceleration and deceleration ramp times. This bit is mapped in the object BV21
Bit 6	Reserved.
Bit 7 Fault reset	0: No function. 1: If in a fault condition, then it executes the reset. This bit is mapped in the object BV23
Bits 8 to 15	Reserved.

P0683 – SERIAL SPEED REFERENCE

Range: -32768 to 32767

Default: 0

Properties: -

Description:

It allows programming the motor speed reference via the BACnet interface. This parameter can only be changed via serial interface. For the other sources (HMI, etc.) it behaves like a read-only parameter.

In order that the reference written in this parameter be used, it is necessary that the drive be programmed to use the speed reference via serial. This programming is achieved by means of parameters P221 and P222.

This word uses a 13-bit resolution with signal to represent the motor rated frequency (P0403).

- P0683 = 0000h (0 decimal) → speed reference = 0
- P0683 = 2000h (8192 decimal) → speed reference = rated frequency (P0403)

Intermediate or higher reference values can be programmed by using this scale. E.g. 60Hz rated frequency, to obtain a speed reference of 30 Hz one must calculate:

60 Hz => 8192 30 Hz => 13 bit reference
--

13 bit reference = $\frac{30 \times 8192}{60}$
--

13 bit reference = 4096	=> Value corresponding to 30 Hz in a 13 bit scale
-------------------------	---

This parameter also accepts negative values to revert the motor speed direction. The reference speed direction, however, depends also on the control word - P0682 - bit 2 setting:

- Bit 2 = 1 and P0683 > 0: reference for forward direction
- Bit 2 = 1 and P0683 < 0: reference for reverse direction
- Bit 2 = 0 and P0683 > 0: reference for reverse direction
- Bit 2 = 0 and P0683 < 0: reference for forward direction

P0695 – DIGITAL OUTPUT SETTING

Range	0000h to	Default:
Properties:	-	

Description:

It allows the control of the digital outputs by means of the network interfaces (Serial, CAN, etc.). This parameter cannot be changed via HMI.

Each bit of this parameter corresponds to the desired value for one digital output. In order to have the correspondent digital output controlled according to this content, it is necessary that its function be programmed for "P0695 Content" at parameters P0275 to P0278.

Bits	15 to 4	3	2	1	0
Function	Reserved	DO4 setting	DO3 setting	DO2 setting	DO1 setting

Table 4.5: P0695 parameter bit functions

Bits	Values
Bit 0 DO1 setting	0: DO1 output open. 1: DO1 output closed. This bit is mapped in the BOUT0 object
Bit 1 DO2 setting	0: DO2 output open. 1: DO2 output closed. This bit is mapped in the BOUT1 object
Bit 2 DO3 setting	0: DO3 output open. 1: DO3 output closed. This bit is mapped in the BOUT2 object
Bit 3 DO4 setting	0: DO4 output open. 1: DO4 output closed. This bit is mapped in the BOUT3 object
Bits 4 to 15	Reserved

P0696 – VALUE 1 FOR ANALOG OUTPUTS
P0697 – VALUE 2 FOR ANALOG OUTPUTS

Range:	-32768 to 32767	Default: 0
Properties:	-	

Description:

They allow the control of the analog outputs by means of network interfaces (Serial, CAN, etc.). These parameters cannot be changed via HMI.

The value written in these parameters is used as the analog output value, providing that the function for the desired analog output be programmed for “P0696 / P0697 value”, at the parameters P0251, P0254.

The value must be written in a 15-bit scale (7FFFh = 32767)³ to represent 100 % of the output desired value, i.e.:

- P0696 = 0000h (0 decimal) → analog output value = 0 %
- P0696 = 7FFFh (32767 decimal) → analog output value = 100 %

The showed example was for P0696, but the same scale is also used for the parameters P0697. For instance, to control the analog output 1 via serial, the following programming must be done:

- Choose a parameter from P0696, P0697 to be the value used by the analog output 1. For this example, we are going to select P0696.
- Program the option “P0696 value” as the function for the analog output 1 in P0254.
- Using the network interface, write in P0696 the desired value for the analog output 1, between 0 and 100 %, according to the parameter scale.

BACnet objects of the ANALOG OUTPUT type mold the analog outputs, where:

- ANO0 - P0696.
- ANO1 - P0697.


NOTE!

If the analog output is programmed for working from -10 V to 10 V, negative values for this parameter must be used to command the output with negative voltage values, i.e., -32768 to 32767 represent a variation from -10 V to 10 V at the analog output.

P0760 – BACNET EQUIPMENT INSTANCE – HIGH PART

Range:	1 a 247	Default: 1
Properties:	CFG	

Description:

It defines the high part of the BACnet equipment instance.


NOTE!

Refer to the parameter P0761 description for more details.

³ For the actual output resolution, refer to the product manual.

P0761 – BACNET EQUIPMENT INSTANCE – LOW PART

Range:	0 to 9999	Default: 0
Properties:	CFG	

Description:

It defines the low part of the BACnet equipment instance.

The BACnet standard defines that the equipment instance must be unique in the network and it must present a value between 0 and 4194304. The BACnet instance will compose the Object Identifier property of the DEVICE object, which defines the equipment characteristics in the network.

The BACnet instance can be defined automatically or manually:

Automatically:

If the values of parameters P0760 and P0761 are set 0 (default value), the inverter will automatically create the BACnet instance based on the vendor BACnet ID (WEG BACnet ID = 359) and the serial address. For this configuration, the user must only inform the serial address at the parameter P0308.

BACnet instance = BACnet ID + Serial address

Example 1: serial address = 102

Instance = 359102

Example 2: serial address = 15

Instance = 359015


NOTE!

The instance created automatically is not showed at the parameters P0760 and P0761, which remain with the value 0.

Manual:

The BACnet instance is defined by using the parameters P0760 and P0761. The P0760 parameter content is multiplied by 10000 and added to the P0761 parameter content.

Example 1: Instance = 542786

$$542786 / 10000 = 54.2786$$

P0760 = 54 (whole part)

P0761 = 2786 (fractional part)

Example 2: Instance = 66789

$$66789 / 10000 = 6.6789$$

P0760 = 6 (whole part)

P0761 = 6789 (fractional part)

Example 3: Instance = 35478

$$35478 / 10000 = 3.5478$$

P0760 = 3 (whole part)

P0761 = 5478 (fractional part)


NOTE!

The parameters P0760 and P0761 allow adjusting a maximum value of 4199999. However, the maximum instance value will be 4194304.


NOTE!

The equipment must be initialized when the contents of parameters P0760 and P0761 are changed.

P0762 – MAXIMUM MASTER NUMBER

Range: 0 to 127

Default: 127

Properties: CFG

Description:

It allows programming the longest address used by a master in the BACnet network, optimizing the communication. All the network devices must be set with the same value in this parameter.

With the standard value (127) for this parameter, any address set for the device can participate in the communication. However, that will make the devices in the network send requests searching for devices in all the address range, hindering the data exchange cycle and the entrance of new devices in the network. By limiting the longest address accepted, addresses above this value are ignored, preventing the search for unnecessary addresses and optimizing the communications.

It is recommended that the devices on the network be addressed in sequence from address 1 on, and that this parameter be set with the same value as the last address of the network.


NOTE!

The equipment must be initialized when the content of the parameter P0762 is changed.

P0763 – MAXIMUM NUMBER OF MS/TP FRAMES

Range: 1 to 65535

Default: 1

Properties: CFG

Description:

It defines the number of telegrams that the node can transmit when it receives the token. Then it must transmit the token to the next node.


NOTE!

The equipment must be initialized when the content of the parameter P0763 is changed.

P0764 – I AM TRANSMISSION

Range: 0 = Power Up

1 = Continuous

Default: 0

Properties: RO

Description:

The I AM telegram is used to identify the node in the BACnet network. When the option 1, periodically, is selected, then an I AM telegram is sent every 200 ms. When the option 0, power up, is selected, then a I AM telegram is sent in the Power up just.

**NOTE!**

The equipment must be initialized when the content of the parameter P0764 is changed.

P0765 – NUMBER OF RECEIVED TOKENS

Range: 0 to 65535

Default: -

Properties: RO

Description:

It is the counter of the number of tokens received from other BACnet nodes. It allows the serial communication verification.

5 BACNET OBJECT MODELING

A BACnet object represents physical or virtual equipment information, as a digital input or parameters. The CFW300 presents the following object types:

- ANALOG INPUT;
- ANALOG OUTPUT;
- ANALOG VALUE;
- BINARY INPUT;
- BINARY OUTPUT;
- BINARY VALUE;
- DEVICE OBJECT.

Each object type defines a data structure composed by properties that allow the access to the object information. The table 5.1 shows the implemented properties for each CFW300 object type.

Table 5.1: Properties of the BACnet objects

Property	DEVICE	ANALOG INPUT	ANALOG OUTPUT	ANALOG VALUE	BINARY INPUT	BINARY OUTPUT	BINARY VALUE
Object Identifier	X	X	X	X	X	X	X
Object Name	X	X	X	X	X	X	X
Object Type	X	X	X	X	X	X	X
System Status	X						
Vendor Name	X						
Vendor Identifier	X						
Model Name	X						
Firmware Revision	X						
Application Software Version	X						
Description	X	X	X	X	X	X	X
Protocol Version	X						
Protocol Revision	X						
Protocol service supported	X						
Protocol object types Supported	X						
Object List	X						
Max APDU Len Accepted	X						
Segmentation Supported	X						
APDU timeout	X						
Number of APDU retries	X						
Max Master	X						
Max info frames	X						
Device Address Binding	X						
Database revision	X						
Present Value		X	X	X	X	X	X
Status Flags		X	X	X	X	X	X
Event State		X	X	X	X	X	X
Out of Service		X	X	X	X	X	X
Units		X	X	X	X	X	X
Priority Array			X	X		X	X
Relinquish Default			X	X		X	X
Polarity					X	X	

* The Priority Array and Relinquish Default properties are available for objects with type C (Commandable) access.

Each object presents an identifier unique in the network, called Object Identifier. The Object Identifier property is composed by two parts:



The Object Type values are defined by the BACnet specification, and object instance is defined by the manufacturer for each object available for communication.

Regarding the Present Value property, each object can present one of the following access types:

- R** Read-only
- C** Commandable – uses priority array.
- W** Write-only
- R/W** Read/Write – without priority array

The Commandable (C) access type presents a 16-level priority array, where priority 1 is the highest and 16 the lowest. If all the priorities are disabled (NULL), the value of the Relinquish Default property is given to the Present Value property.

5.1 BACNET OBJECTS

The parameters of frequency inverter CFW300 are mapped through BACnet objects which are described below.



NOTE!

Check the product manual for parameters details.

5.1.1 ANALOG INPUT OBJECT

It represents an analog input that can have its value read by the controller. CFW300 ANALOG INPUT type objects are described in the table 5.2. The ANALOG INPUT objects are of the REAL type.

Table 5.2: ANALOG INPUT objects

Object Identifier	Object name	Related Parameter	Unit	Access type
AI0	AI1 Value	P0018	%	R
AI1	AI2 Value	P0019	%	R

5.1.2 ANALOG OUTPUT OBJECT

It represents an analog output that can have its value written by the controller. CFW300 ANALOG OUTPUT type objects are described in the table 5.3. The ANALOG OUTPUT objects are of the REAL type.

Table 5.3: ANALOG OUTPUT objects

Object Identifier	Object name	Related Parameter	Unit	Access type
AO0	AOx Value 1	P0696		C
AO1	AOx Value 2	P0697		C

5.1.3 ANALOG VALUE OBJECT

They represent system control parameters that can be read, written or commanded by the controller. CFW300 ANALOG VALUE type objects are described in the table 5.4. The ANALOG VALUE objects are of the REAL type.

Table 5.4: ANALOG VALUE objects

Object Identifier	Object name	Related Parameter	Unit	Access type
AV0	Motor Speed	P0002	rpm	R
AV1	Motor Current	P0003	A	R
AV2	DC Link Voltage (Ud)	P0004	V	R
AV3	Motor Frequency	P0005	Hz	R
AV4	Motor Voltage	P0007	V	R
AV5	Motor Torque	P0009	%	R
AV6	Heatsink Temperature	P0030	°C	R
AV7	Present Alarm	P0048		R
AV8	Present Fault	P0049		R
AV9	Acceleration Time	P0100	s	C
AV10	Deceleration Time	P0101	s	C
AV11	Speed in 13 bits	P0681		R
AV12	Serial/USB Speed Ref.	P0683		C
AV100	Mailbox: param. number	-		R/W
AV101	Mailbox: param. value	-		R/W

The CFW300 programming manual presents the detailed description of each parameter.

5.1.4 BINARY INPUT OBJECT

It represents a physical digital input that can have its status read by the controller. CFW300 BINARY INPUT type objects are described in the table 5.5.

Table 5.5: BINARY INPUT objects

Object Identifier	Object name	Related Parameter	States Description (1 / 0)	Access type
BI0	DI1	P0012 – Bit 0	On/Off	R
BI1	DI2	P0012 – Bit 1	On/Off	R
BI2	DI3	P0012 – Bit 2	On/Off	R
BI3	DI4	P0012 – Bit 3	On/Off	R
BI4	DI5	P0012 – Bit 4	On/Off	R
BI5	DI6	P0012 – Bit 5	On/Off	R
BI6	DI7	P0012 – Bit 6	On/Off	R
BI7	DI8	P0012 – Bit 7	On/Off	R

5.1.5 BINARY OUTPUT OBJECT

It represents a physical digital output that can have its status changed by the controller. CFW300 BINARY OUTPUT type objects are described in the table 5.6.

Table 5.6: BINARY OUTPUT objects

Object Identifier	Object name	Related Parameter	States Description (1 / 0)	Access type
BO0	DO1	P0695 – Bit 0	On/Off	C
BO1	DO2	P0695 – Bit 1	On/Off	C
BO2	DO3	P0695 – Bit 2	On/Off	C
BO3	DO4	P0695 – Bit 3	On/Off	C

5.1.6 BINARY VALUE OBJECT

They represent system control parameter bits that can be read, written or commanded by the controller. CFW300 BINARY VALUE type objects are described in the table 5.7.

Table 5.7: BINARY VALUE objects

Object Identifier	Object name	Related Parameter	State (1 / 0)	Access type
BV0	Reservado	P0680 Bit 0		
BV1	Reservado	P0680 Bit 1		
BV2	Fire mode	P0680 Bit 2	On/Off	R
BV3	Bypass	P0680 Bit 3	On/Off	R
BV4	Quick Stop	P0680 Bit 4	Active/Inactive	R
BV5	2nd Ramp	P0680 Bit 5	On/Off	R
BV6	Config. Mode	P0680 Bit 6	Config/Normal	R
BV7	Alarm	P0680 Bit 7	Alarm/No Alarm	R
BV8	Running	P0680 Bit 8	Running/Stopped	R
BV9	Enabled	P0680 Bit 9	Enabled/Disabled	R
BV10	Forward	P0680 Bit 10	Forward/Reverse	R
BV11	JOG	P0680 Bit 11	On/Off	R
BV12	Remote	P0680 Bit 12	Remote/Local	R
BV13	Subvoltage	P0680 Bit 13	Subvoltage/No	R
BV14	Reservado	P0680 Bit 14		
BV15	Fault	P0680 Bit 15	Fault/No Fault	R
BV16	Ramp Enable	P0682 Bit 0	Run/Stop	C
BV17	General Enable	P0682 Bit 1	Enable/Disable	C
BV18	Run Forward	P0682 Bit 2	Forward/Reverse	C
BV19	JOG Enable	P0682 Bit 3	On/Off	C
BV20	Remote	P0682 Bit 4	Remote/Local	C
BV21	2nd Ramp	P0682 Bit 5	On/Off	C
BV22	Quick Stop	P0682 Bit 6	On/Off	C
BV23	Fault Reset	P0682 Bit 7	Reset/Off	C
BV29	Intern PID	P0682 Bit 13	Manual/Auto	C
BV30	Extern PID 1	P0682 Bit 14	Manual/Auto	C
BV31	Extern PID 2	P0682 Bit 15	Manual/Auto	C
BV100	Mailbox: exec. read	-	On/Off	R/W
BV101	Mailbox: exec. write	-	On/Off	R/W


NOTE!

In order to have those commands executed, it is necessary that the inverter be programmed to be controlled via serial. This programming is achieved by means of parameters P0105 and P0220 to P0228.

5.1.7 DEVICE OBJECT

The DEVICE object informs the BACnet equipment characteristics. Its properties represent those characteristics and they are described in the table 5.1. There must be only one DEVICE object at each BACnet equipment.

5.1.8 Mailbox

It is a structure that allows reading and writing CFW300 parameters. The following objects compose this structure:

Table 5.8: Mailbox objects

Object Identifier	Object name	Description	Access type
AV100	Mailbox: param. number	Informs the parameter number	R/W
AV101	Mailbox: param. value	Informs the datum read from or written into the parameter	R/W
BV100	Mailbox: exec. read	Parameter reading command	R/W
BV101	Mailbox: exec. write	Parameter writing command	R/W

Procedure for reading a parameter via Mailbox:

1. Write the parameter number in the AV100 object Present Value property;
2. Write 1 in the BV100 object Present Value property;
3. Read the parameter value in the AV101 object Present Value property.

Procedure for writing a parameter via Mailbox:

1. Write the parameter number in the AV100 object Present Value property;
2. Write the value to the parameter in the AV101 object Present Value property;
3. Write 1 in the BV101 object Present Value property.

6 FAULTS AND ALARMS RELATED TO THE SERIAL COMMUNICATION

A128/F228 – TIMEOUT FOR SERIAL COMMUNICATION

Description:

It is the only alarm/fault related to the serial communication indicates that the equipment stopped receiving valid serial telegrams for a period longer than the one programmed in P0314.

Operation:

The parameter P0314 allows programming a period of time during which the equipment must receive at least one valid telegram via the serial interface – with address and error-checking field correct – otherwise, it will be considered that there was any problem in the serial communication. The time counting initiates after the reception of the first valid telegram. This function can be used by any serial protocol supported by the equipment.

After the serial communication timeout has been identified, the A128 alarm or F228 fault message will be showed on the HMI, depending on the P0313 programming. For alarms, if the communication is reestablished and new valid telegrams are received, the alarm indication will be removed from the HMI.

Possible Causes/Correction:

- Verify factors that could cause failures in the communication (cables, installation, and grounding).
- Make sure that the master sends telegrams to the equipment in intervals shorter than the programmed in P0314.
- Disable this function at P0314.



WEG Drives & Controls - Automação LTDA.
Jaraguá do Sul – SC – Brazil
Phone 55 (47) 3276-4000 – Fax 55 (47) 3276-4020
São Paulo – SP – Brazil
Phone 55 (11) 5053-2300 – Fax 55 (11) 5052-4212
automacao@weg.net
www.weg.net