

# CPTW Series

## Control Power Transformers

### Compact and Economical Solutions



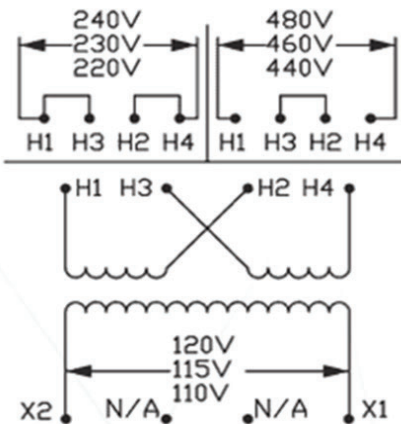
www.weg.net | 1-800-ASK-4WEG

## VOLTAGE TABLE

VA	Primary Voltage	Secondary Voltage	Part Number
2000	220 x 440, 230 x 460, 240 x 480	110, 115, 120	CPTW2K0-ASC
Max Depth	Max Width	Max Height	Mounting Depth
8.37"	7.00"	5.65"	5.13"
Mounting Width	Mounting Hole Depth	Mounting Hole Width	Phase
6.13"	0.31"	1.06"	1
Frequency	Shipping Weight	Voltage Group	
50/60 Hz	38.0 lbs.	A	

▽ R { ] ^ / S a \ A a a O ^ A O j a @ a @ A [ o a & ^ a a  
 ▽ O a a A B I + A A @ A O ^ ] c O C E A @ } A ^ A & j a A A & ^ a a A C E A @ A I E X O E  
 ▽ O a a A B I + A A @ A O ^ ] c O C E A @ } A ^ A & j a A A & ^ a a A F E C E a A A [ ^ A C E A @ A I E X O E  
 ▽ O a a A B I + A A @ A O ^ ] c O C E A @ } A ^ A & j a A A & ^ a a A F E C E a A A [ ^ A C E A @ A I E X O E

## DIAGRAM



## SPECIFICATIONS

- Class 180°C (356°F) insulation system with 115°C (239°F) temperature rise.
- All transformers up to 750VA come with pre-installed secondary fuse kits, ready to accept 13/32" x 1 1/2" midget or Class CC fuses.
- Two parallel jumper links come standard with transformers with dual primary voltages.
- All transformers up to 3kVA include a built-in mounting adapter for fuse blocks.