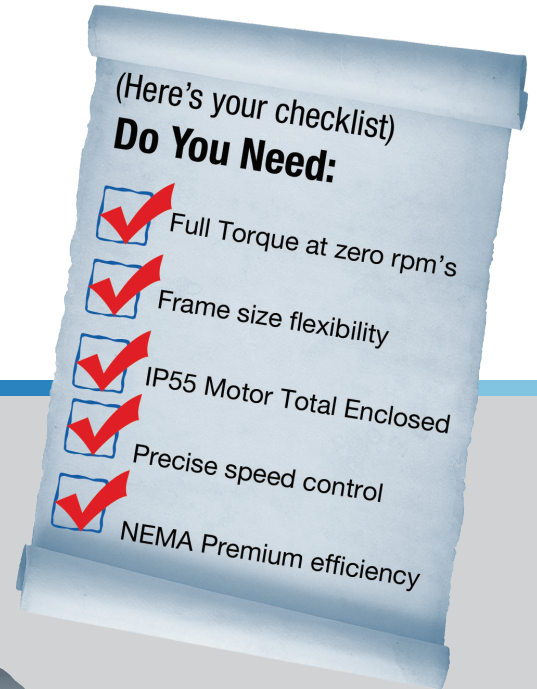
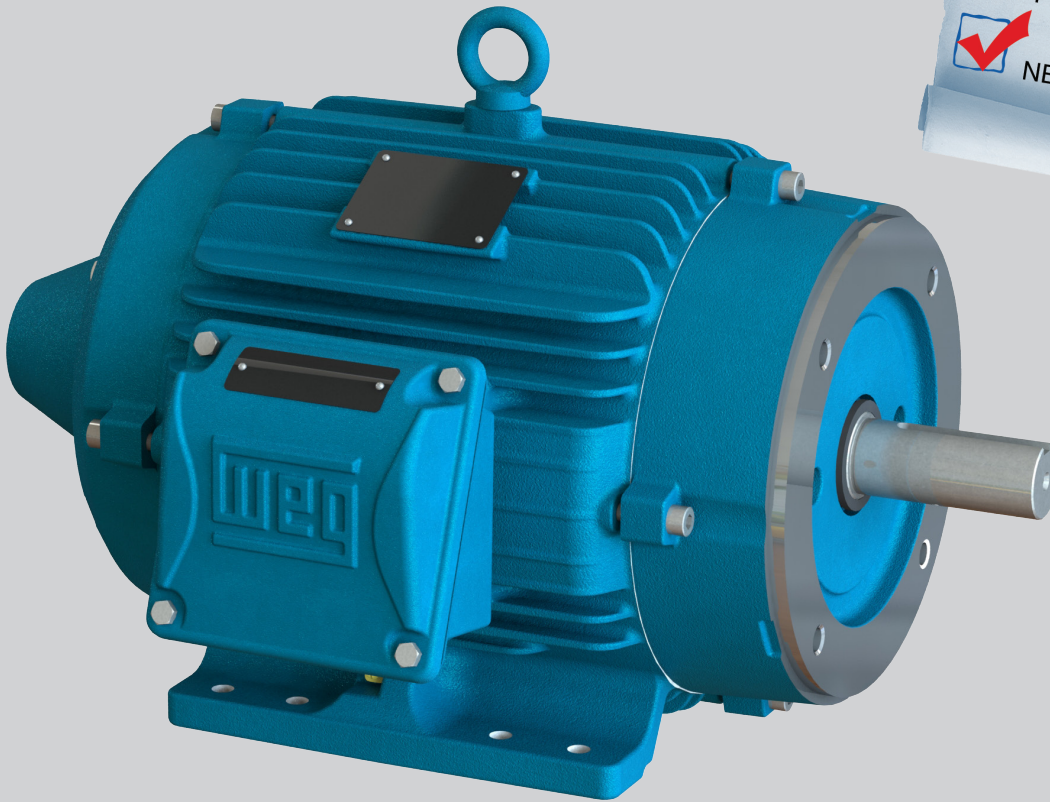


Motor

Vector Duty



TENV Vector Duty line

This product line is designed specifically for Inverter Operation, allowing its use in applications where 1000:1 constant torque turndown ratio is required.

Standard Features

- NEMA Premium Efficiency
- Constant torque operation from 0 to base speed (1000:1) on PWM Vector Drive
- Constant Horsepower operation to 150% base speed at 40°C ambient
- C-face mount with feet
- Spike Resistant Wire
- Ready for Encoder or Brake mount*
- With Thermostats (1 per phase)
- Totally Enclosed Non-Ventilated
- V-Ring Seals
- Standard NEMA frame sizes
- Special nameplate data for easy drive setup
- IP55
- All Cast Iron Construction

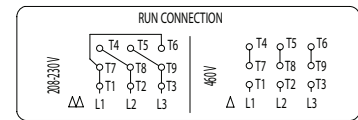
Optional Features

- Different mounting configurations
- Thermistors
- Space heater
- IP56, 65, 66 ratings
- Tropicalized Internal Painting
- Special shaft seals
- Encoder
- Brake w/torque up to 105lb ft.
- AEGIS™ SGR Bearing protection ring (shaft grounding ring)
- Insulated Bearings

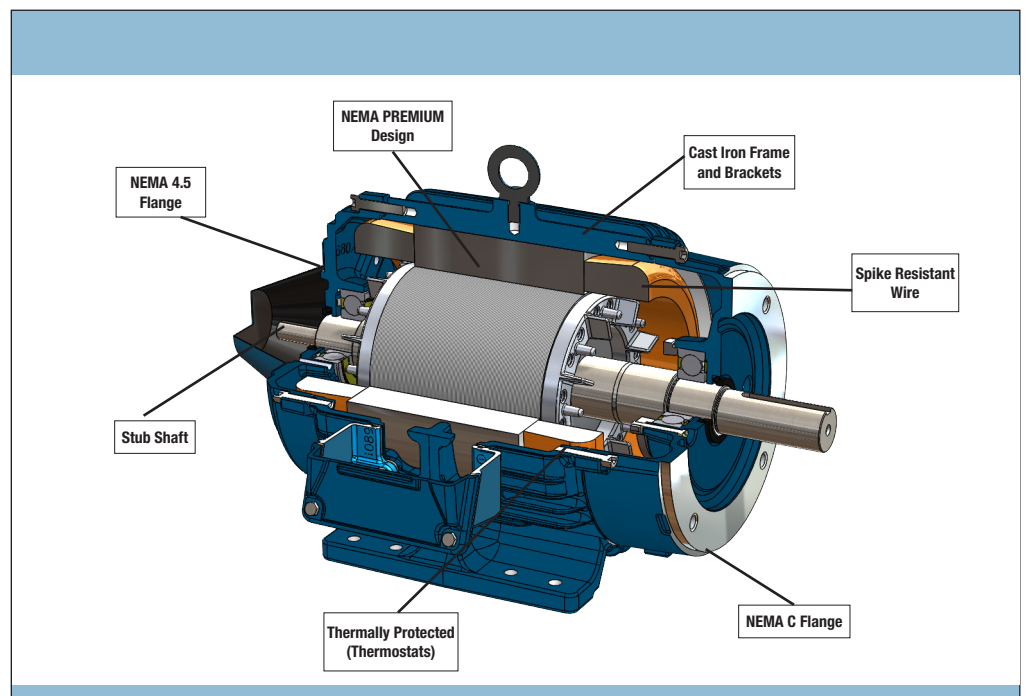
Applications

- Conveyors
- Crane and Hoists
- Extruders
- Metal Processing
- Any that would require constant torque over a wide speed range

WEG		W22		Inverter Duty Motor Severe Duty	
MODEL: 01018NT3FVD215TC-W22					
PH	3	HP(kW)	10.0(7.5)	FRAME	213/5TC
V	230 / 460	Hz	60	SF	1.0
A	26.7 / 13.3	INS. CL.	H Δ 105k	P.F.	0.77
SFA	ENCL. TENV		IP55	AMB.	40°C
				ALT.	1000 m.a.s.l.
R1	0.555	X1	1.167	CODE [K] DES [A]	
R2	0.383	X2	2.584	-6308-ZZ	
CONNECTION	Y	XM	44.538	-6308-ZZ	
Hz	HP (kW)	RPM	TQ (FT-LB)	VOLTS	AMPS
0.06	10(7.5)	0	29.7	0	13.0
60	10(7.5)	1755	29.7	480	13.0
90	10(7.5)	2630	19.9	480	13.0
FOR USE ON PWM VFD 1000:1 CT					
		C US Energy Verified		CC029A	
CAUTION: USE SUPPLY WIRES SUITABLE FOR 110°C					



* NEMA 4.5 (AK) flange in NDE with 5/8" shaft allowing encoder or brake assembly (Brake limited to 10lb. ft. torque)



TENV Vector Duty Motor



MODEL	HP	RPM	VOLTS	FRAME	List Price	Enclosure	FL AMPS (460V)	APPROX. WEIGHT (lbs.)	Inertia	Max Safe RPM
00118NT3FVD143TC-W22	1	1800	230/460	143TC	\$697	TENV	1.41	53	0.0930	10400
00158NT3FVD145TC-W22	1.5	1800	230/460	145TC	\$705	TENV	2.00	56	0.1196	10400
00218NT3FVD145TC-W22	2	1800	230/460	145TC	\$928	TENV	2.65	61	0.1329	10400
00318NT3FVD182TC-W22	3	1800	230/460	182TC	\$1,150	TENV	3.91	101	0.3178	6800
00518NT3FVD184TC-W22	5	1800	230/460	184TC	\$1,373	TENV	7.11	110	0.3813	6800
00718NT3FVD213TC-W22	7.5	1800	230/460	213TC	\$1,803	TENV	9.07	171	1.0118	6000
01018NT3FVD215TC-W22	10	1800	230/460	215TC	\$2,157	TENV	13.3	196	1.5638	6000
01518NT3FVD254TC-W22	15	1800	230/460	254TC	\$2,567	TENV	19.4	324	2.6198	5360
02018NT3FVD256TC-W22	20	1800	230/460	256TC	\$3,747	TENV	26.6	356	4.29	5360

EQUIVALENT CIRCUIT (IN Ω AT 20°C)					
MODEL	R1	R2	X1	X2	XM
00118NT3FVD143TC-W22	10.162	4.585	13.438	17.808	332.458
00158NT3FVD145TC-W22	6.763	3.362	9.693	12.753	248.322
00218NT3FVD145TC-W22	5.402	2.833	8.117	10.309	207.724
00318NT3FVD182TC-W22	2.436	1.792	5.624	7.928	126.109
00518NT3FVD184TC-W22	1.036	.900	2.777	3.498	59.915
00718NT3FVD213TC-W22	0.865	0.589	1.854	2.564	44.438
01018NT3FVD215TC-W22	0.555	0.383	1.167	2.565	44.538
01518NT3FVD254TC-W22	0.336	0.217	0.727	1.371	23.887
02018NT3FVD256TC-W22	0.207	0.157	0.518	1.032	17.740



CFW-11 Vector Motor and Drives Innovative and simple

The CFW-11 presents many innovations that are helpful and beneficial to customers, mainly due to the simplicity of its installation and operation. The CFW-11 was developed based on Plug-and-Play philosophy (connect and use) allowing simple and fast installation of the VSD and its accessories. The Keypad has a navigation and programming system similar to mobile phones, with softkey buttons. It is possible to access the parameters sequentially or through groups of parameters. The Keypad also makes the Oriented Start-up function available, guiding the user through the necessary programming.



Technology - Patents Vectrue Technology®

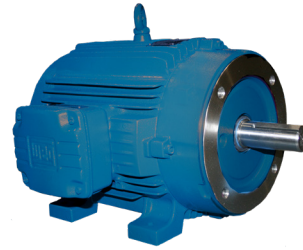
- Field oriented Vector Control: Sensorless and closed loop with encoder
- Sensorless vector control permits high torque and quick response in open loop, even at low speeds
- Close loop vector control allows zero speed and full torque even for continuous operation
- The self-tuning function automatically matches the WEG motor and the vector control modes.

Flexibility

The CFW-11 adapts itself to the customer's needs through a broad range of accessories, which are easily installed. Besides this, the standard product comes with the SoftPLC function that attributes PLC functions to the VSD, which allows the customer to create his/her own applications (user programs) through the WLP software (programming in LADDER).



TENV Vector Duty Accessories



ENCODER

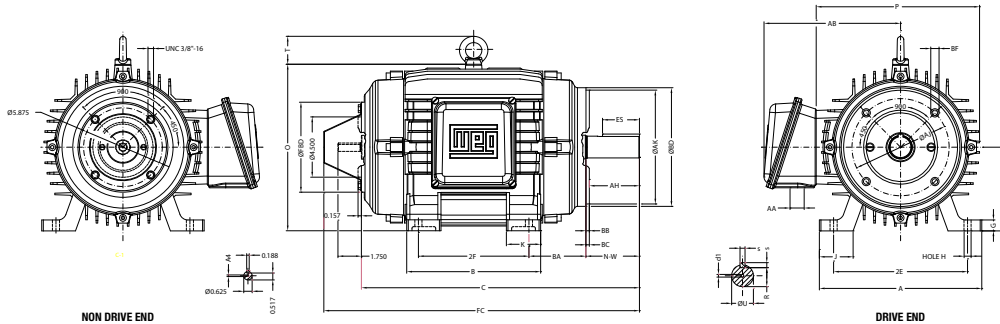
Catalog Number	Description	PPR	Magnetic or Optical	Input Voltage	Bore (in)	Connector	List Price	Mult. Sym.	Approx. Wt.(lbs)
ECHSD38-D *	HSD38 Dynapar	1024	Optical	5-26V (7272)	5/8	10 Pin	1418	PARTS.I	4
ECHS25A-A	HS25A Avtron	1024	Optical	5-28V (7272)	5/8	10 Pin	1423	PARTS.I	2
ECHS35A-A	HS35A Avtron	1024	Optical	5-28V (7272)	5/8	10 Pin	1590	PARTS.I	3
ECHS35M-A	HS35M Avtron	1024	Magnetic	5-24V (7272)	5/8	10 Pin	2150	PARTS.I	2

* Provided with Encoder guard

FEEDBACK CABLE ASSEMBLY WITH MS CONNECTOR

Catalog Number	Cable Length	List Price	Mult. Sym.	Appr. Wt. (lbs)
ENCCBLMS-10	10 ft	232	PARTS.I	2
ENCCBLMS-20	20 ft	413	PARTS.I	3
ENCCBLMS-30	30 ft	454	PARTS.I	4
ENCCBLMS-50	50 ft	672	PARTS.I	6

Dimensions



NEMA FRAME	2E	2F	H	BA	A	B	C	D	G	J	K	O	P	T	AB	AA
143T	5.500	4.000	0.344	2.250	6.457	6.142	11.874	3.500	0.354	1.437	---	7.000	7.122	---	6.181	NPT 3/4"
145T		5.000				6.142	11.874									
182T	7.500	4.500	0.406	2.750	8.661	6.969	13.766	4.500	0.394	1.594	---	9.343	8.740	1.772	7.559	NPT 1"
184T		5.500				6.969	13.766									
213T	8.500	5.500	0.406	3.500	9.764	8.858	17.237	5.250	0.827	1.988	2.165	10.841	10.630	1.772	8.149	NPT 1"
215T		7.000				8.858	17.237									
254T/6T	10.000	8.252	0.531	4.250	12.126	11.732	22.765	6.250	0.827	2.539	2.559	12.598	12.953	2.087	10.394	NPT 1-1/2"

NEMA FRAME	KEYWAY			DE SHAFT			DE FLANGE						FBD	FC	BEARINGS		
	S	R	ES	N-W	U	d1	AJ	AK	BD	BF	BB	BC			AH	D.E.	N.D.E
143T	0.187	0.765	1.575	2.250	0.875	A4	5.875	4.500	6.500	UNC 3/8"-16	0.156	0.125	2.125	6.496	14.678	6205-ZZ	6205-ZZ
145T							5.875	4.500	6.500	UNC 3/8"-16					0.156	0.125	2.125
182T	0.250	0.984	1.969	2.750	1.125	A4	7.250	8.500	8.875	UNC 1/2"-13	0.250	0.250	3.125	6.693	16.569	6207-ZZ	6207-ZZ
184T															16.569	6207-ZZ	6207-ZZ
213T	0.313	1.203	2.480	3.375	1.375	A4	7.250	8.500	8.875	UNC 1/2"-13	0.250	0.250	3.125	6.693	20.041	6308-ZZ	6308-ZZ
215T															20.041	6308-ZZ	6308-ZZ
254T/6T	0.375	1.406	2.756	4.000	1.625	A4	7.250	8.500	8.875	UNC 1/2"-13	0.250	0.250	3.750	6.693	25.569	6309-C3	6309-C3

Please contact your authorized distributor:



WEG Electric Corp.
 6655 Sugarloaf Parkway
 Duluth, GA 30097
 Phone: 1-800-ASK-4WEG(275-4934)
 web: www.weg.net