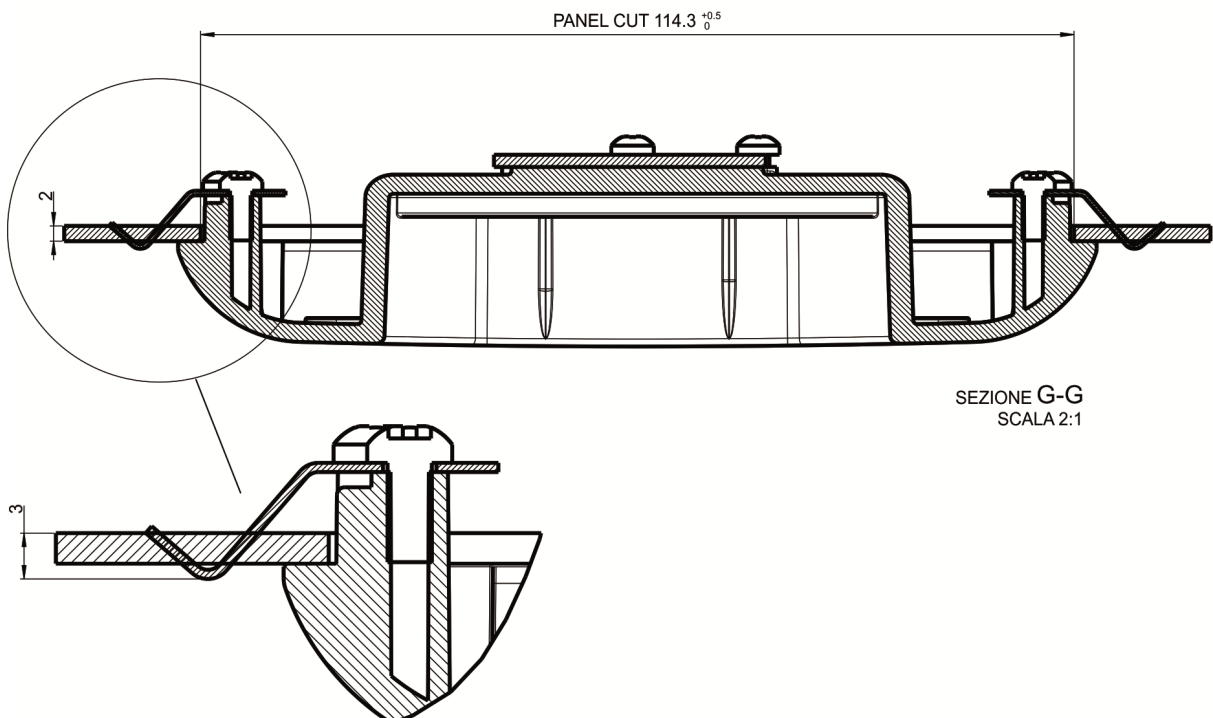
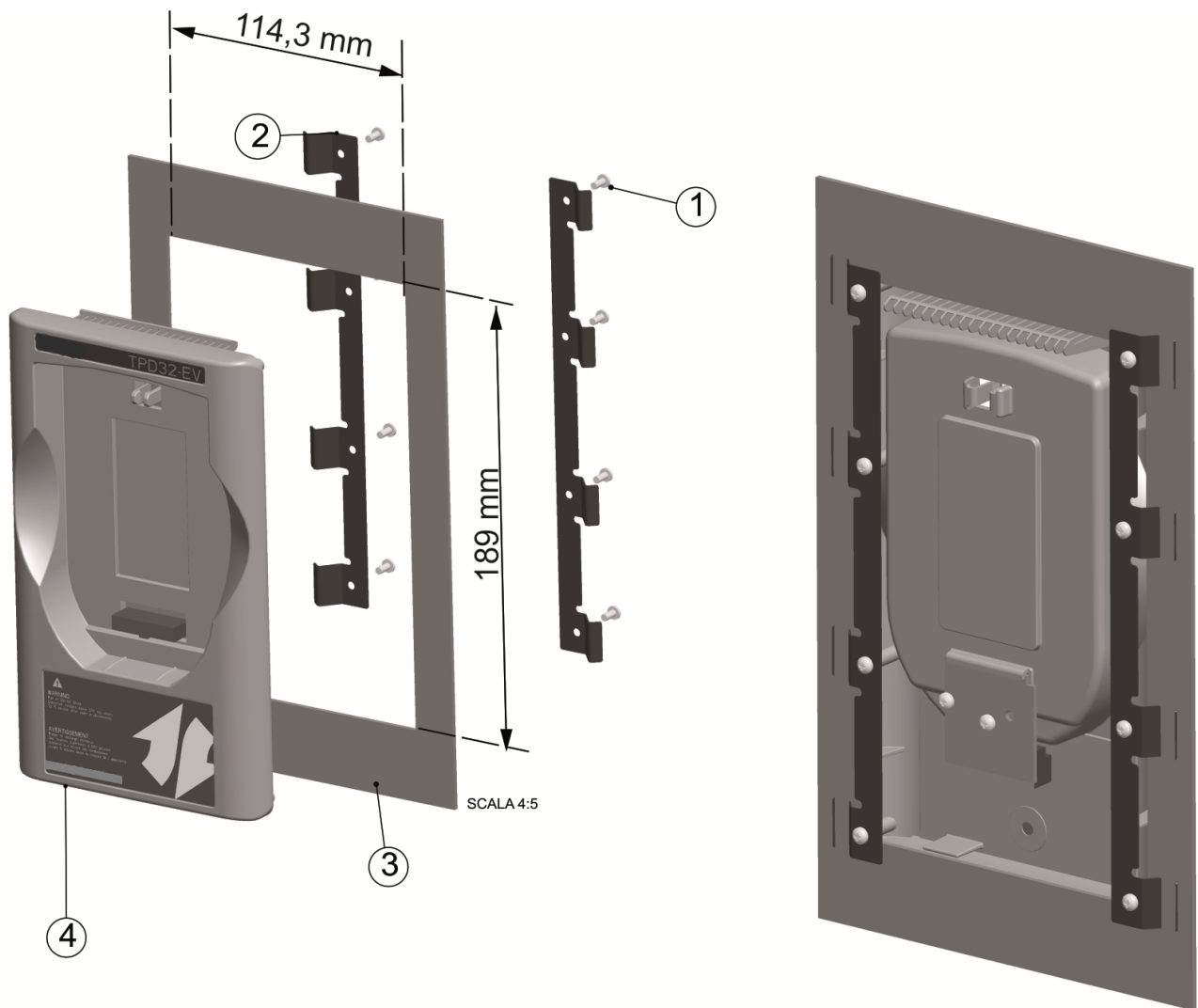


SEZIONE A-A



SEZIONE G-G  
SCALA 2:1



Ref	Qty	Denomination	Description
1	8	SCREW CYL.CAP PH1 W	2.9x6.5 SelfT.BLUNT
2	2	KIT PANEL SUPPORT	KIT PANEL SUPPORT
3		PANEL OPENING	
4	1	KEYPAD HOUSING	TPD32-EV
	1	FLAT CABLE KB-KC	