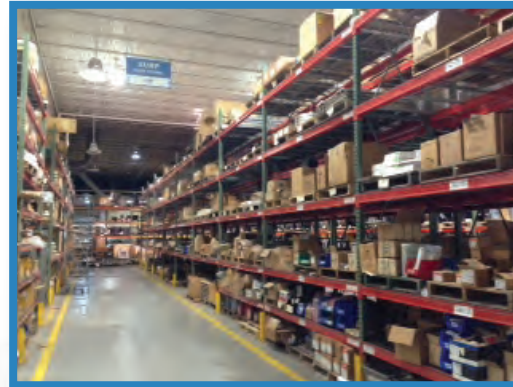


WEG Service Co.
66655 Sugarloaf Parkway | Duluth, GA 30097
Phone: 1-800-275-4935

Electric Machinery
800 Central Avenue. Minneapolis, MN 55413
Phone: +1 (612) 378-8000
www.electrimachinery.com

24-Hour Global Field Services

On-Call For Planned Maintenance and Emergency Service



EMERGENCY PARTS AND SERVICE

- PHONES ANSWERED 24/7 EVERY DAY OF THE YEAR
- HIGHLY-TRAINED FIELD SERVICE ENGINEERS
- GLOBAL REACH – IMMEDIATE SUPPORT
- CONNECTED TO ENGINEERING AND TECHNICAL DATABASE
- LARGE INVENTORY OF PARTS AVAILABLE FOR IMMEDIATE SHIPMENT



DIAGNOSTIC SERVICES AND TESTING

- INSULATION AND ELECTRICAL TESTING
- DRYOUT, CLEANING, AND PLANNED MAINTENANCE
- MECHANICAL TESTING, ALIGNMENTS
- SPARES PLANNING, FLEET MANAGEMENT
- RELIABILITY PLANNING AND RISK MANAGEMENT



ADVANCED TESTING AND ENGINEERED SOLUTIONS

- ONLINE ELECTRICAL TESTING FOR CRITICAL EQUIPMENT
- RESONANCE, NOISE AND DYNAMIC MEASUREMENTS
- UPRATING AND POWER ENHANCEMENTS
- HEAT EXCHANGER RETROFITS AND DROP-IN REPLACEMENTS
- TRIM BALANCING AND VIBRATION ANALYSIS



INSTALLATION, COMMISSIONING, AND STARTUP

- EXTEND YOUR WARRANTY WITH PROFESSIONAL FIELD SERVICE SUPPORT AND ANNUAL MAINTENANCE
- COMMISSIONING OF MOTORS, GENERATORS, AMPLI-SPEED™ MAGNETIC DRIVES, CONTROLS, AND AUXILIARY EQUIPMENT
- BEST-PRACTICES, CUSTOMER TRAINING AND OTHER CUSTOMIZED SERVICES SUITED TO YOUR APPLICATION



Contacts

WEG USA

Phone 800-275-4934 • 678-249-2000
24/7 Drives Support • 877-934-3748
After Hours Sales • 800-275-4934

Electric Machinery Service

Emergency Service Phone: (612) 247-9232 • Emergency Parts Phone: (612) 718-7589

Roman Jurewicz
Afermarket Manager
Phone: (612) 378-8952
rjurewicz@weg.net

Jeremy Valder
Service Engineer
Phone: (612) 378-8996
jvalder@weg.net

Alan Carroll
Parts Administrator
Phone: (612) 378-8083
acarroll@weg.net

Sean Orchuk
Field Service Manager
Phone: (612) 518-7542
sorchuk@weg.net

Blake Bailey
Service Engineer
Phone: 612-378-8049
bbailey@weg.net

David Juba
Service Engineer
Phone: (612) 378-8247
djuba@weg.net



TOTAL PRODUCT SUPPORT

Electric Machinery and WEG Service Co.

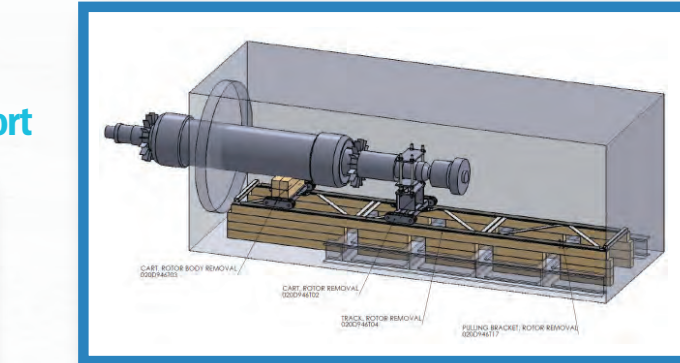
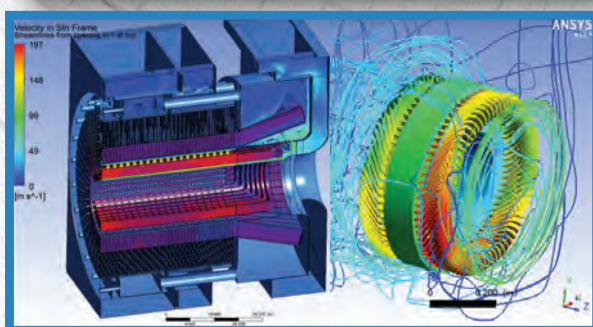
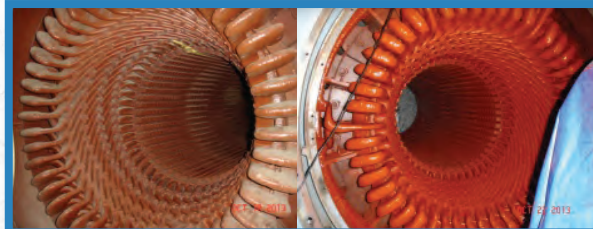
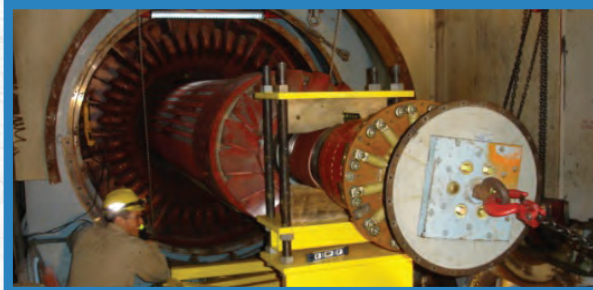
A Century of Experience
A World of Solutions

800 Central Avenue NE. | Minneapolis, MN 55413 USA
www.electrimachinery.com
www.weg.net



Turbo-Generator Services

Protect Your Critical Equipment with OEM Support



ENGINEERED SOLUTIONS

- CUSTOM-ENGINEERED ROTOR REMOVAL TOOLING
- DESIGNED AND MANUFACTURED BY ELECTRIC MACHINERY
- TOOLING INSTALLED WITH WEG-EM FIELD SERVICE
- IN-SITU CLEANING GIVES NEW LIFE TO AN OLD STATOR
- SITE SUPPORT REDUCES DOWNTIME AND ENSURES OEM PROCEDURES ARE FOLLOWED

COMMISSIONING

- LET OUR TEAM GUIDE YOU THROUGH INSTALLATION AND STARTUP
- WARRANTY-APPROVED COMMISSIONING AND TESTING SERVICES
- ENSURE YOUR CRITICAL EQUIPMENT IS INSTALLED AND OPERATED CORRECTLY

COMPLETE ROTOR SERVICES

- NDT TESTING, INSPECTION, PAINTING
- FULL-SERVICE BALANCING TO API-546
- ROTOR COOLING UPGRADES PROVIDE INCREASED OUTPUT
- GROWLER, INSULATION, AND ADVANCED ELECTRICAL TESTS

ADVANCED DIAGNOSTIC SERVICES

- OEM ENGINEERS AVAILABLE TO SUPPORT THE MOST CHALLENGING APPLICATIONS
- AIRFLOW ANALYSIS AND COOLING PERFORMANCE STUDIES
- ROTORDYNAMICS AND INERTIAL CALCULATIONS
- REASONANCE AND SYSTEM STIFFNESS MODELLING

Rewinds and Major Overhauls

Trust the OEM with over 70 Million Installed Horsepower and 120 Years' Experience



COIL MANUFACTURING AND FORMING

- MANUFACTURED TO THE HIGHEST STANDARDS
- INDIVIDUALLY TESTED AND APPROVED
- MATERIALS STORED UNDER STRICT CONTROLS

STATOR WINDING

- COMPLETED BY SKILLED WINDERS
- ALL EM WINDING TAKES PLACE IN MINNEAPOLIS, USA
- FULL TESTING AT EACH STEP IN OUR PROCESS GUARANTEES WINDING INTEGRITY

GLOBAL VPI SYSTEM

- OUR DURAGUARD™ SYSTEM IS PROVEN RELIABLE FOR 20 YEARS AND BEYOND
- MANUFACTURING PROCESSES AND QUALITY CONTROLS MEET OR EXCEED NUCLEAR STANDARDS
- THOUSANDS OF INSTALLED UNITS OPERATING RELIABLY

ROTOR FABRICATION

- ALL POLES ARE DESIGNED, BUILT, AND TESTED IN-HOUSE
- EACH POLE IS INDIVIDUALLY TESTED AND APPROVED
- WE USE THE HIGHEST QUALITY RESINS AND MATERIALS TO ENSURE DECADES OF RELIABLE SERVICE

TESTING AND PACKAGING

- PERFORMANCE TESTING, HEAT RUNS AND OTHER ADVANCED TESTING ARE ALL COMPLETED IN-HOUSE
- CUSTOM SHIPPING AND LOGISTICS TO CUSTOMERS WORLDWIDE
- ADVANCED PACKAGING FOR SHIPMENT AND LONG TERM STORAGE

Synchronous Upgrades and Conversions

No One Knows Your Synchronous Equipment Better

THE WEG-EM SPLIT DIODE WHEEL

- MAY BE RETROFITTED ONTO ANY SYNCHRONOUS MOTOR
- PROVEN TECHNOLOGY WITH HUNDREDS OF INSTALLED UNITS
- COMMON PARTS ACROSS YOUR ENTIRE FLEET
- STAINLESS HARDWARE AND SIMPLE WIRING FOR EASY MAINTENANCE
- ELIMINATES BRUSHES AND ASSOCIATED MAINTENANCE



THE MICROPROCESSOR SYNC-RITE™

- INDUSTRY-LEADING EXCITATION CONTROL
- ALWAYS IN-STOCK AND READY TO SHIP
- RELIABLE PERFORMANCE IN ALL APPLICATIONS
- VISUAL INDICATORS SIMPLIFY TROUBLESHOOTING
- SMALL, POWERFUL, RELIABLE



GENERATOR EXCITATION

- BRUSHLESS EXCITATION CONVERSIONS
- COMPACT DIODE WHEEL ASSEMBLIES
- RUGGED, FORGED CONSTRUCTION
- HIGH POWER OUTPUTS THROUGH 2000A DC
- GROUND DETECTION AND MONITORING OPTIONS
- EXCITATION CONTROL, SYNCHRONIZATION, AND MONITORING

