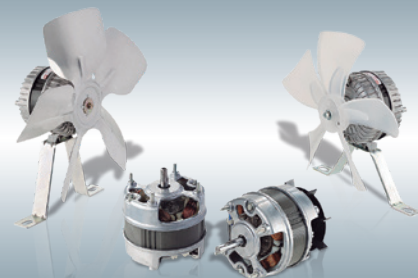
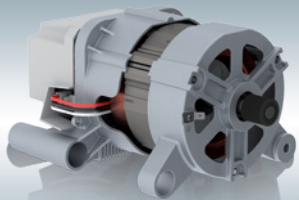
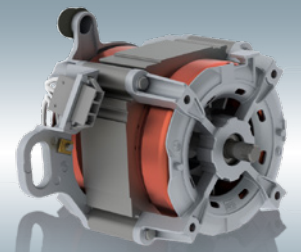
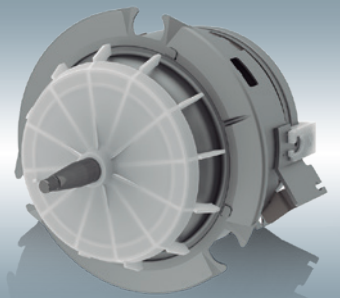
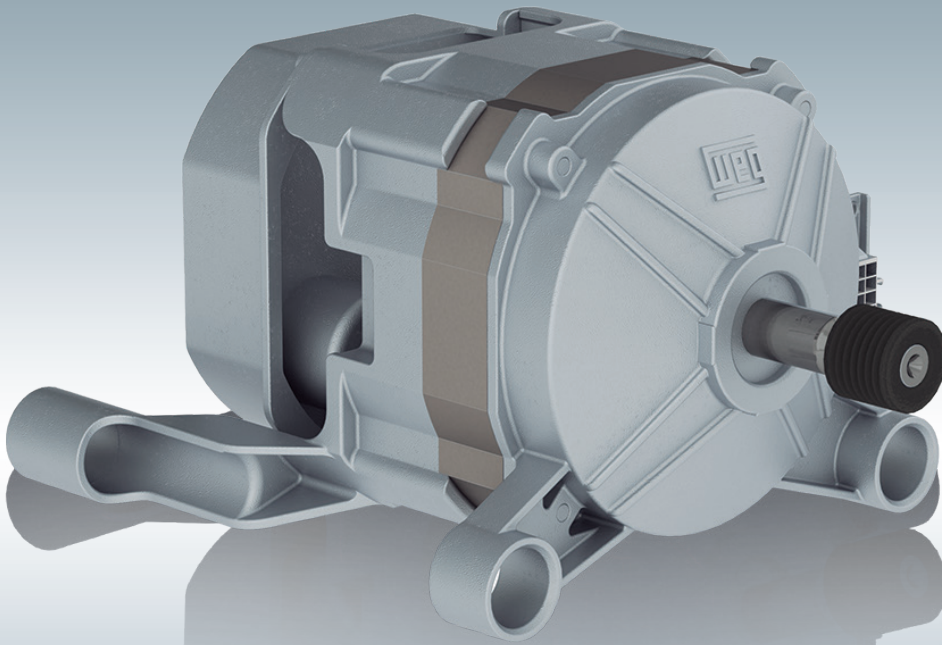


WEG's APPLIANCE APPLICATION MOTORS



Motors | Automation | Energy | Transmission & Distribution | Coatings

Appliance Applications

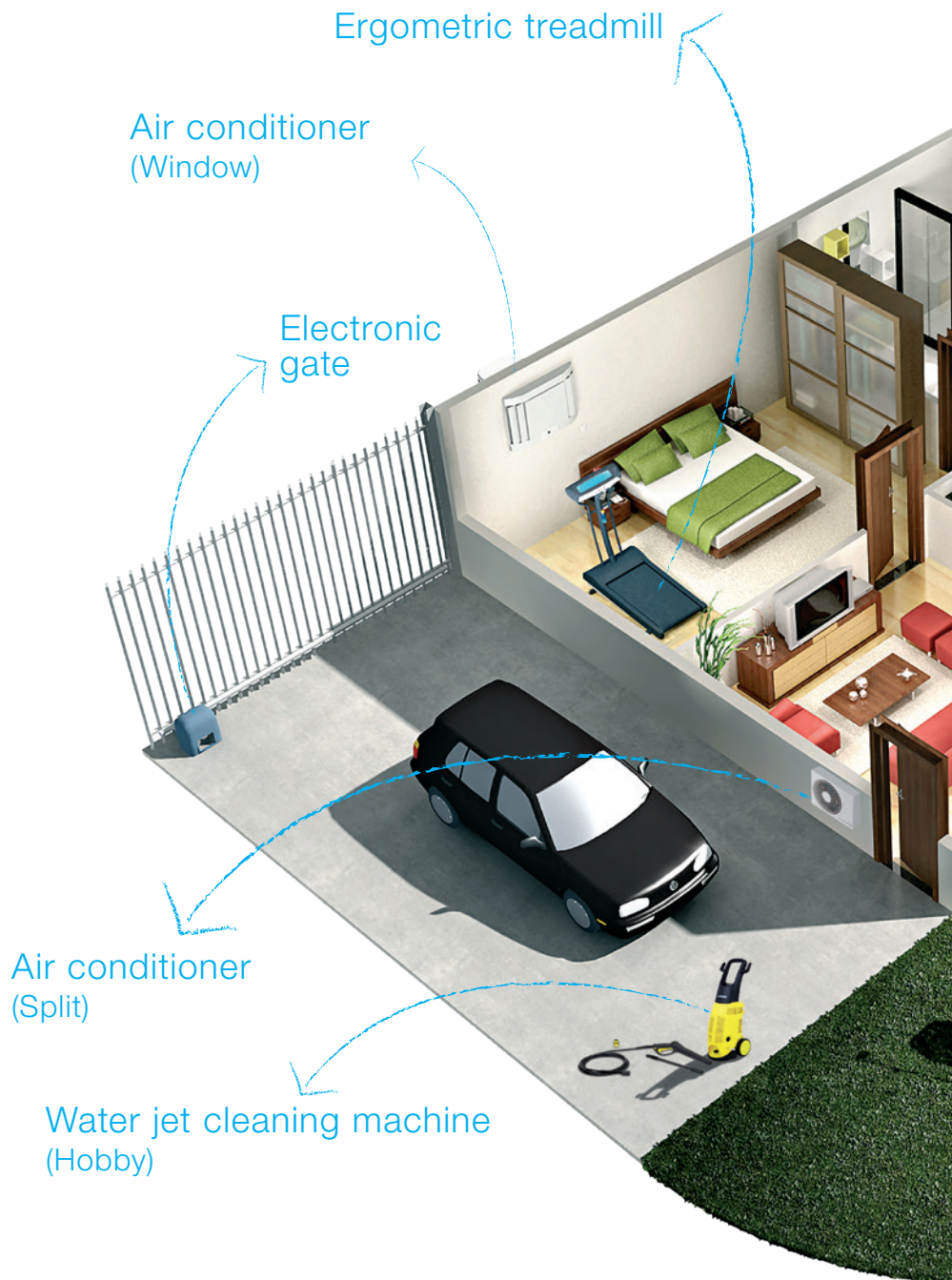
WEG has a wide range of products for the commercial, residential and industrial segments, including technologies for industry 4.0, offering solutions for all types of applications.

Always focusing on the customer's needs, WEG customizes its products and develops new solutions for the most varied segments.

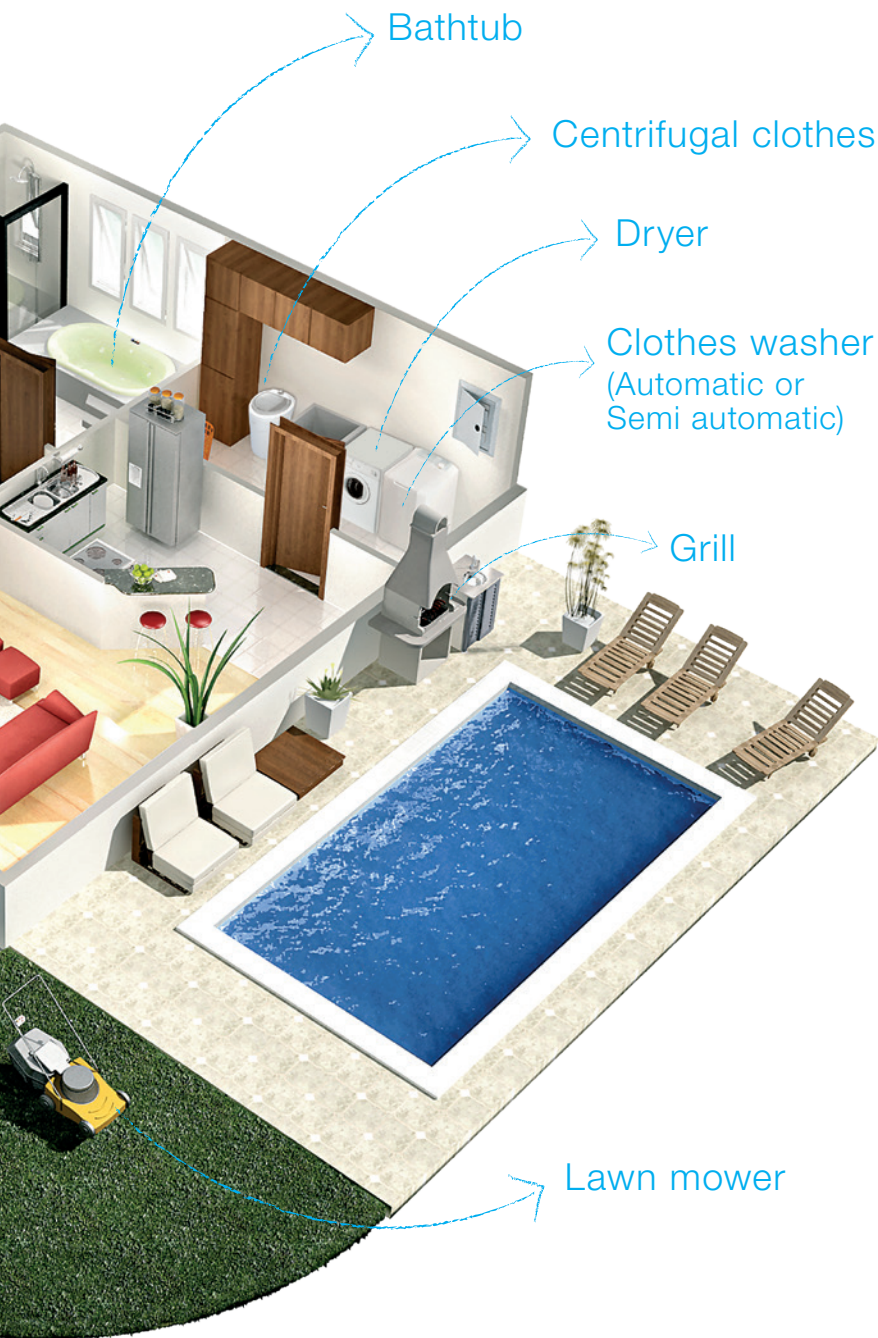
We have versatile and compact motors, designed with maximum technology and suitable for a wide variety of commercial, rural and residential applications.

High performance with maximum energy efficiency.

This is the essence of WEG's electric motors.



WEG motors in your day-to-day



Index

Electronic Gate Motor.....	4
Lawn Mower Motor	5
Water Jet Cleaning Machine (Hobby)	6
Automatic Clothes Washer Motor (Front Load)....	7
Automatic Clothes Washer Motor (Top Load).....	8
Semi Automatic Clothes Washer Motor	10
Dryer's Motor	11
Centrifugal Clothes Motor	12
Motor for Air Conditioner (Split).....	13
Motor for Air Conditioner (Window).....	14
Minimotor (Air movement).....	15

Electronic Gate Motor



Single-phase motor

- Output: 1/4 up to 3/4 HP
- Number of poles: 4
- Voltage: 127 or 220 V
- Frequency: 60 or 50 Hz
- Frame: N42 (Rolled steel) and 33 (Aluminum).
- Frame material: rolled steel or aluminum
- Degree of protection: IP44
- Colour: Black Munsell N1 (rolled steel)
- Thermal protection: automatic (according motor class)



Optionals

- Foot and flange mounting
- Permanent capacitor
- Insulation class B or F

Application

Sliding, up and over and swinging electronic gates and parking controls.

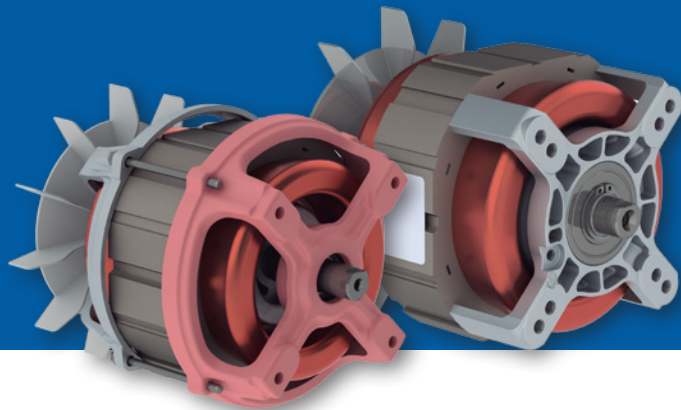
Features	Benefits
Adaptability	Standardized shaft and flange couplings, making it easy to fix the motor
Permanent capacitor	Developed to meet applications requiring high rated torque with maximum performance and high reliability
Degree of protection IP44	Machine protected against small solid objects and water projections

Lawn Mower Motor



Single-phase motor

- Output: 3/4 up to 2 HP
- Number of poles: 2
- Voltage: 127 or 220 V
- Frequency: 60 or 50 Hz
- Frame: N48
- Endshields material: cast iron and/or aluminum
- Degree of protection: IP00*
- Colour: red (Prime N2) for cast iron endshield



Optionals

- Permanent capacitor
- Motor with or without brake

Application

Lawn mowers.

Features	Benefits
Special design	Motors with special designs according to the need of torque and power requested by the customer
Permanent capacitor	Developed to meet applications requiring high rated torque with maximum performance and high reliability
Brake system	Motors can be supplied with automatic brake system to ensure the safety of the users when using his equipment.

* The motor must be properly protected by fairing of the equipment/application.

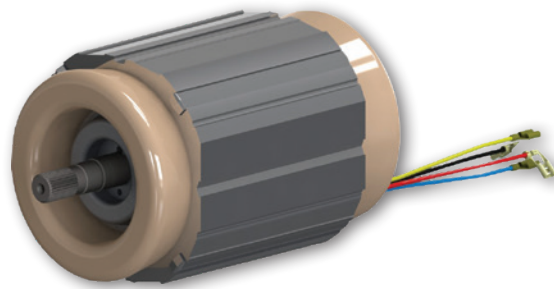


Water Jet Cleaning Machine (*Hobby*)



Single-phase motor

- Output: 1 up to 2,5 HP
- Number of poles: 2
- Voltage: 127 or 220 V
- Frequency: 60 or 50 Hz
- Frame: N42, 71 or 80
- Degree of protection: IP00*
- Thermal protection: optional



Optionals

- Motor supplied without endshields
- Permanent capacitor

Application

High pressure washer machines of *hobby line*.

Features	Benefits
Special design	Motors with special designs according to the need of torque and power requested by the customer
Application test	Laboratory capable of testing according to regulatory standards, guaranteeing maximum product quality
Permanent capacitor	Developed to meet applications requiring high rated torque with maximum performance and high reliability

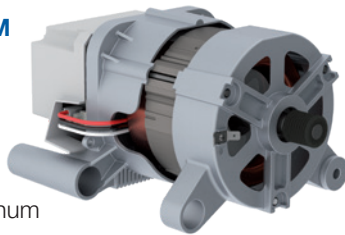
* The motor must be properly protected by fairing of the equipment/application.

Automatic Clothes Washer Motor (Front Load)



Washing Machine Line CIM

- Output: 3/4 HP
- Number of poles: 4
- Voltage: 220-240 V
- Frequency: 60 or 50 Hz
- Frame: N42
- Endshields material: Aluminum
- Degree of protection: IP00*
- Thermal protection: automatic (according to motor class)



Washing Machine Line BLDC

- Output: 3/4 HP
- Number of poles: 8
- Voltage: 220-240 V
- Frequency: 60 or 50 Hz
- Frame: N42
- Endshields material: Aluminum
- Degree of protection: IP00*
- Thermal protection: automatic (according to motor class)



Washing Machine Line Universal motor

- Output: 800, 900 and 1200 W
- Number of poles: 2
- Voltage: 220 V
- Frequency: 50 or 60Hz
- Frame: Stack 38-45-52 mm
- Endshields material: Aluminum
- Degree of protection: IP00*
- Thermal protection: automatic (according to motor class)



Features	Benefits
Flexibility	Motor mounting, supplied with or without pulley, single capacitor
Application test	WEG carries out tests in the application according to the determination of the regulatory norms
Special design	Motors with special designs according to the need of torque and power requested by the customer
Permanent capacitor	Developed to meet applications requiring high rated torque with maximum performance and high reliability

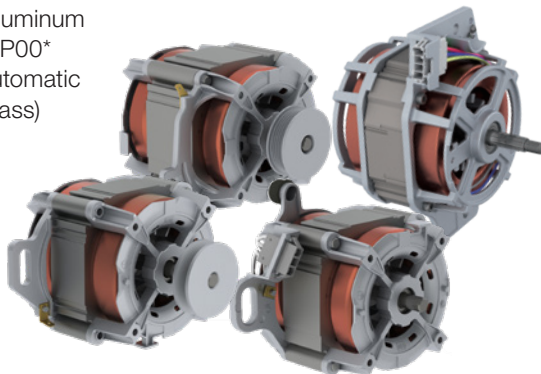
* The motor must be properly protected by fairing of the equipment/application.

Automatic Clothes Washer Motor (Top Load)



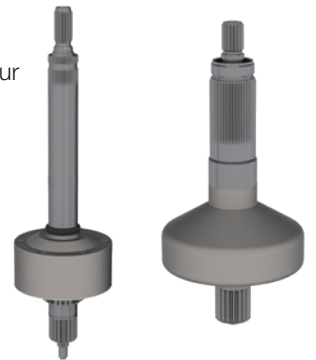
Washing Machine Line PSC Motors

- Output: 1/4 up to 1/2 HP
- Number of poles: 4
- Voltage: 100/127 or 220/230 V
- Frequency: 60 or 50 Hz
- Frame: N42 or N48
- Endshields material: aluminum
- Degree of protection: IP00*
- Thermal protection: automatic (according to motor class)



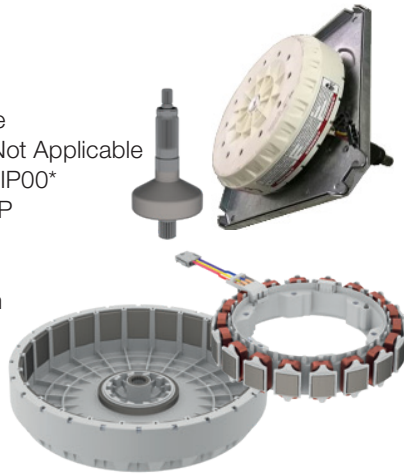
Washing Machine Line Standard Transmission

- Speed ratio: 5.25:1
- Gear type: Helical and Spur
- Spin Torque: 3 Nm
- Wash Torque: 30 Nm



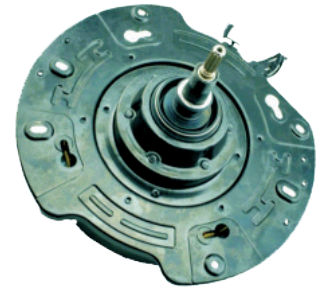
Washing Machine Line BLDC Motor with Transmission (Vmax)

- Output: 1/3 HP
- Number of poles: 24
- Voltage: 120 V
- Frequency: 60 Hz
- Frame: Not Applicable
- Endshields material: Not Applicable
- Degree of protection: IP00*
- Thermal protection: EP
- Speed ratio: 6:1
- Gear type: Helical
- Spin Torque: 0.35 Nm
- Wash Torque: 2 Nm



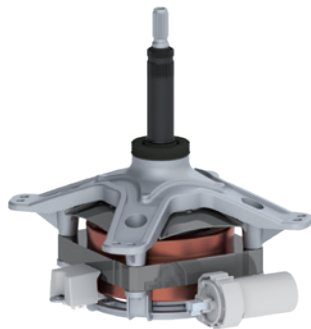
Washing Machine Line BLDC Motor with Transmission (WDD)

- Output: 1/4 HP
- Number of poles: 24
- Voltage: 220-240 V
- Frequency: 50 or 60Hz
- Frame: Not Applicable
- Endshields material: Steel
- Degree of protection: IP00*
- Thermal protection: EP
- Speed ratio: 5.75:1
- Gear type: Spur
- Spin Torque: 16 Nm
- Wash Torque: 2.45 Nm



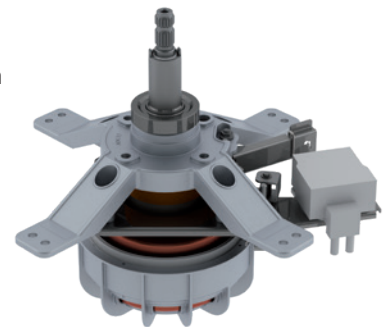
Washing Machine Line PSC Motor with transmission (Midway)

- Output: 1/3 or 1/4 HP
- Number of poles: 6 or 8
- Voltage: 120 or 220 V
- Frequency: 50 or 60Hz
- Frame: Not Applicable
- Endshields material: Aluminum
- Degree of protection: IP00*
- Thermal protection: automatic (according to motor class)
- Speed ratio: 5.72:1
- Gear type: Spur
- Spin Torque: 2.5 Nm
- Wash Torque: 4.5 Nm



Washing Machine Line PSC Motor with transmission (Small Midway)

- Output: 1/4 HP
- Number of poles: 8
- Voltage: 127-220V
- Frequency: 50 or 60Hz
- Frame: Not Applicable
- Endshields material: Aluminum
- Degree of protection: IP00*
- Thermal protection: automatic (according to motor class)
- Speed ratio: 5.72:1
- Gear type: Spur
- Spin Torque: 2.5 Nm
- Wash Torque: 4.5 Nm



Features	Benefits
Flexibility	Motor mounting, supplied with or without pulley, single capacitor
Application test	WEG carries out tests in the application according to the determination of the regulatory norms
Special design	Motors with special designs according to the need of torque and power requested by the customer
Permanent capacitor	Developed to meet applications requiring high rated torque with maximum performance and high reliability

* The motor must be properly protected by fairing of the equipment/application.

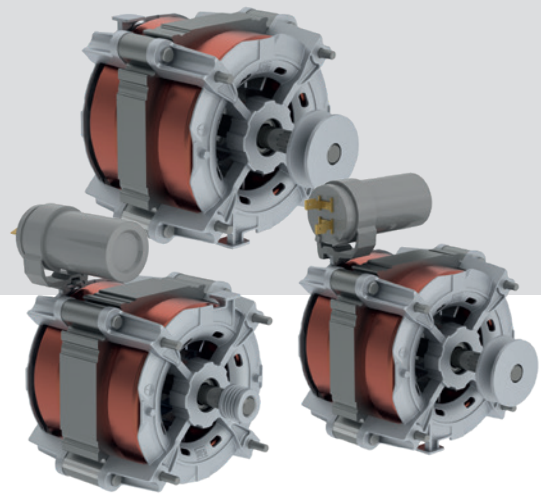
Semi Automatic Clothes Washer Motor



Washing Machine Line

PSC Motors

- Output: 1/4 HP
- Number of poles: 4
- Voltage: 127 or 220 V
- Frequency: 60 or 50 Hz
- Frame: N42
- Endshields material: aluminum
- Degree of protection: IP00*
- Thermal protection: automatic (according to motor class)



Optionals

- Permanent capacitor coupled on the motor or supplied loose
- Rotation: clockwise or counter-clockwise
- Product comply with IEC-3351
- Shaft material: Steel SAE 1045
- Bearings: shielded bearing ZZ with permanent lubrication
- Insulation class F or H

Application

Semi automatic clothes washer.

Features	Benefits
Flexibility	Motor mounting, supplied with or without pulley, single capacitor
Application test	WEG carries out tests in the application according to the determination of the regulatory norms
Special design	Motors with special designs according to the need of torque and power requested by the customer
Permanent capacitor	Developed to meet applications requiring high rated torque with maximum performance and high reliability

* The motor must be properly protected by fairing of the equipment/application.

Special under request

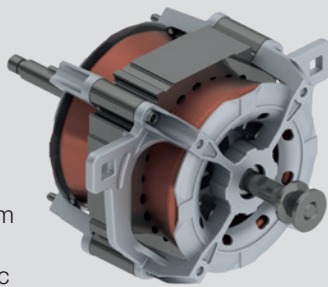
- Special wiring harnesses
- Motor mounting dedicated for application
- Special shaft

Dryer Motor



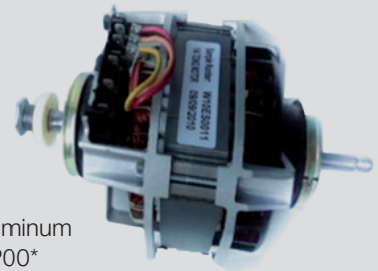
Dryer Machine Line PSC Motors

- Output: 1/4 HP
- Number of poles: 4
- Voltage: 127 or 220 V
- Frequency: 60 or 50 Hz
- Frame: N42
- Endshields material: aluminum
- Degree of protection: IP00*
- Thermal protection: automatic (according to motor class)



Dryer Machine Line Split Phase Motors

- Output: 1/3 HP
- Number of poles: 4
- Voltage: 120 V
- Frequency: 60 Hz
- Frame: N42
- Endshields material: aluminum
- Degree of protection: IP00*
- Thermal protection: automatic (according to motor class)



Optionals

- Bearings: shielded bearing ZZ with permanent lubrication
- Rotation: clockwise, counter-clockwise or bidirectional
- Shaft material: Steel SAE 1045
- Permanent capacitor coupled on the motor or supplied loose
- Insulation class F or H

Application

Clothes dryer.

Features	Benefits
Flexibility	Fixing by bracket, tie rods, with or without pulley
Performance	Special projects according to the classification of the equipment desired by the client
Permanent capacitor	Developed to meet applications requiring high rated torque with maximum performance and high reliability

* The motor must be properly protected by fairing of the equipment/application.

Special under request

- Special wiring harnesses
- Motor mounting dedicated for application
- Special shaft

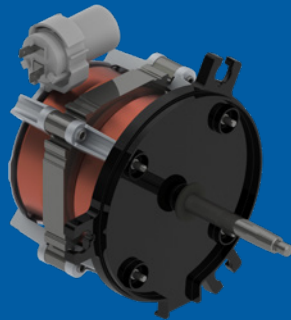
Centrifugal Clothes Motor



Centrifuge Machine Line

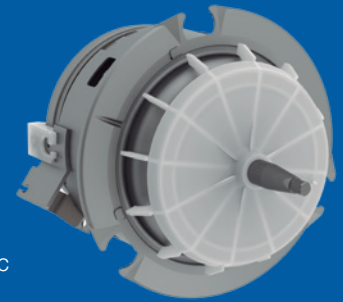
PSC Motor

- Output: 1/8 up to 1/3 HP
- Number of poles: 4
- Voltage: 127 and 220 V
- Frequency: 60 or 50 Hz
- Frame: N42
- Endshields material: aluminium
- Degree of protection: IP00*
- Thermal protection: automatic (according to motor class)



Centrifuge Machine Line Shaded Pole Motor

- Output: 1/15HP
- Number of poles: 2
- Voltage: 127 and 220 V
- Frequency: 60 or 50 Hz
- Frame: N48
- Frame material: Steel
- Degree of protection: IP20
- Thermal protection: automatic (according to motor class)



Optionals

- Bearings: shielded bearing ZZ with permanent lubrication
- Fixing points by DE endshield (3 or 6 points)
- Shaft material: Steel SAE 1045
- Double shaft end
- Permanent capacitor coupled on the motor or supplied loose
- Insulation class F or H

Application

Centrifugal clothes.

Features	Benefits
Flexibility	Fixing by bracket and tie rods
Performance	Special projects according to the classification of the equipment desired by the client
Permanent capacitor	Developed to meet applications requiring high rated torque with maximum performance and high reliability

* The motor must be properly protected by fairing of the equipment/application.

Special under request

- Special wiring harnesses
- Motor mounting dedicated for application
- Special shaft

Motor for Air Conditioner (Split)



Single-phase motor

- Output: 1/40 up to 1/2 HP
- Number of poles: 4 and 6
- Voltage: 127 and 220 V
- Frequency: 60 or 50 Hz
- Frame: 33, N42 and N48
- Frame material: rolled steel or aluminium
- Degree of protection: IP21, IP24 ou IP44
- Colour: black (Munsell N1 (*rolled steel*))
- Thermal protection: automatic (according motor class)



Optionals

- Shaft material: Steel SAE 1045
- Bearings: shielded bearing ZZ with permanent lubrication
- Motor with 1, 2 or 3 speeds
- Permanent capacitor optionally supplied
- Duty cycle: continuous for ambient temperature from -30 °C up to 40 °C
- Insulation class B, F or H

Application

Split air conditioner.

Features	Benefits
Flexibility	Fixing by bracket, tie rods, resilient rings or on the motor body
Special design	Motors with special designs according to the need of torque and power requested by the customer
Permanent capacitor	Developed to meet applications requiring high rated torque with maximum performance and high reliability

Special under request

- Special wiring harnesses
- Motor mounting dedicated for application
- Special shaft

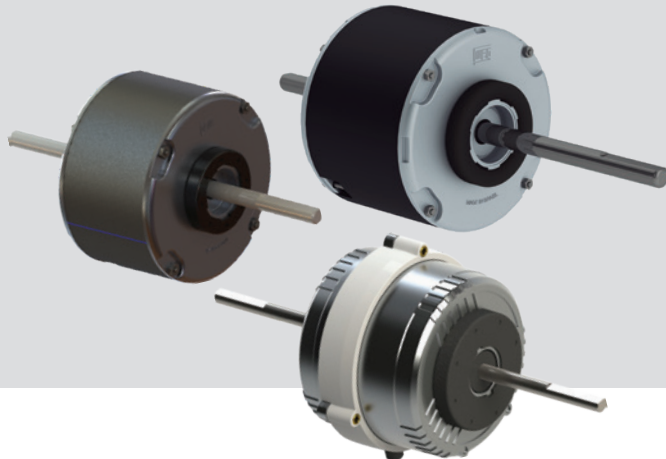


Motor for Air Conditioner (Window)



Single-phase motor

- Output: 1/40 up to 1/2 HP
- Number of poles: 4 and 6
- Voltage: 127 and 220 V
- Frequency: 60 or 50 Hz
- Frame: 33, N42 and N48
- Frame material: rolled steel or aluminium
- Degree of protection: IP21, IP24 ou IP44
- Colour: black (Munsell N1 (rolled steel))
- Thermal protection: automatic (according motor class)



Optionals

- Shaft material: Steel SAE 1045
- Bearings: shielded bearing ZZ with permanent lubrication
- Motor with 1, 2 or 3 speeds
- Permanent capacitor optionally supplied
- Duty cycle: continuous for ambient temperature from -30 °C up to 40 °C
- Insulation class B, F or H

Application

Window air conditioner.

Features	Benefits
Flexibility	Fixing by bracket, tie rods, resilient rings or on the motor body
Permanent capacitor	Developed to meet applications requiring high rated torque with maximum performance and high reliability
Special design	Motors with special designs according to the need of torque and power requested by the customer

Special under request

- Special wiring harnesses
- Motor mounting dedicated for application
- Special shaft

Minimotor (Air Movement)



Single-phase motor - “shaded-pole”

- Output: 1/40, 1/30 or 1/25 HP
- Number of poles: 4
- Voltage: 12, 24, 127, 127/220 or 220 V
- Frequency: 60 or 50 Hz
- Frame: minimotor
- Frame material: aluminium
- Degree of protection: IP00 or IP44



Optionals

- Fixing: base or screws on the DE and NDE endshields
- Propeller: aluminium or polypropylene, typo exhauster or blower (on diameters of 8” or 10”)
- Duty cycle: continuous for ambient temperature from -30 °C up to 40 °C
- Shaft: steel shaft SAE 1045 with diameter of 8 mm
- Bearings: shielded bearing ZZ with permanent lubrication
- Insulation class B or F

Application

Air movement, kitchen hood, grills, dryers.

Features	Benefits
Special design	Motors with special projects as required torque and power requested by the client
Grill application	The motor is self-ventilated to ensure its operation in this environment
Shaded pole motor	Single-phase motor requiring no capacitor

* The motor must be properly protected by fairing of the equipment/application.

Special under request

- Thermal protection
- Special wiring harnesses
- Special shaft

The WEG Group's scope of solutions is not limited
products and solutions presented in this catalog.
To know our portfolio, consult us.

For WEG's worldwide
operations visit our website



www.weg.net



 +55 47 3276.4000

 motores@weg.net

 Jaraguá do Sul - SC - Brazil

Cod: 50100479 | Rev: 01 | Date (m/a): 08/2022.

The values shown are subject to change without prior notice.
The information contained is reference values.