

English

Quick Installation Guide

WEMOB-STATION

Charging Station for Electric Vehicles (EV)

Models: 120 to 240 kW

1 SAFETY INSTRUCTIONS

All safety procedures described in this quick installation guide and in the installation and operation manual for the WEMOB-STATION electric vehicle charging station must be followed. The recommended procedures aim at protecting the user against death, serious injuries and considerable material damages.

1.1 GENERAL INFORMATION

This quick installation guide contains the basic information required for the installation, configuration and operation of the WEMOB-STATION electric vehicle charging station.

1.2 PRELIMINARY RECOMMENDATIONS

DANGER!

- Only qualified personnel, familiar with the charging station and related equipment, must plan or execute the installation, startup, operation and maintenance of this equipment.
- Such personnel must follow the all the safety instructions contained in this guide, in the installation and operation guide and/or defined by local regulations.
- Failure to comply with the safety instructions may result in death, serious injury and/or equipment damage.
- A damaged charging station must be removed from service and repaired. The repair must be carried out by the manufacturer or its representative only. No changes or modifications to the charging station are permitted.
- Always disconnect the general power supply before touching any electrical part in connection with the electric vehicle charging station.

ATTENTION!

- Be careful not to damage the circuit boards or components during installation.
- The electronic boards have electrostatic discharge sensitive components. Do not touch the components or connectors directly.

NOTE!

- For the purposes of this guide, qualified personnel are those trained and able to:
 1. Install, ground, power up and operate EV charging station in accordance with this guide, operation manual and the legal safety procedures in force.
 2. Wear/use protective equipment according to the standards in force.
 3. Provide first aid.
- If the charging station will not be used for a long time, it is recommended to keep it turned on to prevent condensation inside.

1.3 RECEIVING AND STORAGE

The WEMOB-STATION charging station is supplied packed in a wooden crate, with an internal lining plastic. This package contains a label outside describing the main characteristics of the product: model, WEG stock item, serial number, manufacturing date etc.

Upon receipt, check that:

- The identification label matches the purchased model.
- Damages occurred during transportation. If any problem is found, contact the carrier immediately.
- If the WEMOB-STATION charging station is not installed soon, keep it in the package closed and store it in a clean and dry location with temperature between -25 °C and 80 °C (-13 °F and 176 °F).

After receipt:

- Remove the plastic film to prevent moisture condensation.
- Do not store it in direct sunlight, rain, extreme cold, excessive humidity or sea air.
- Store it in a clean and protected place with the air relative humidity not above 80 %.
- During the storage period, the conditions mentioned above must be met; however, when the components are stored for more than one year, measures must be taken to dehumidify the storage place.
- When using equipment after a long period of storage, check that the equipment is free from scratches, dirt, rust and so on.

NOTE!

- The performance and reliability of the WEMOB-STATION charging station may be impaired if it is stored in an environment outside the aforementioned conditions.

1.4 OPENING THE PACKAGE

Use suitable tools to unpack the WEMOB-STATION charging station, remove the plastic film with your hands or with the aid of a knife, always taking care not to damage the station.

While opening the package, check if there are damages to the product. Do not install the WEMOB-STATION charging station in case you suspect any damage.

Remove any particles from the package (plastic, wood, styrofoam, metal, nails, screws, nuts etc.) that may have remained in the charging station.

ATTENTION!

- Use personal protective equipment (PPE).
- If any component has problems (damage), it is recommended:
 - Stop opening the package immediately.
 - Contact the carrier and formally record the problem encountered.
 - Photograph the damaged parts and/or components.

2 OVERVIEW

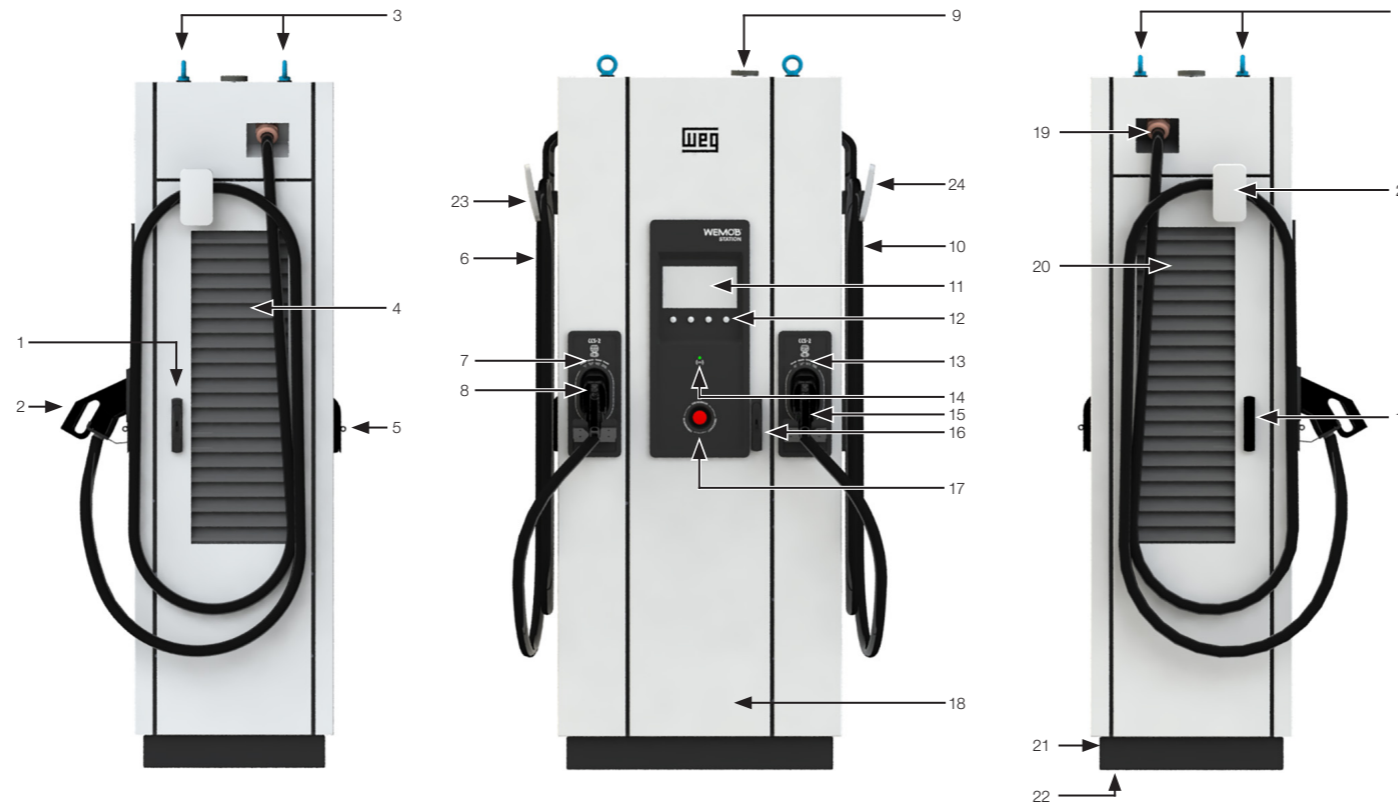


Figure 2.1: Overview of the WEMOB-STATION (120-240 kW) charging station

Table 2.1: Overview of the WEMOB-STATION (120-240 kW) charging station

1 – Side lock	9 – Wi-Fi/Cellular antenna	17 – Emergency-stop pushbutton
2 – Charging plug 2	10 – Charging cable 2	18 – Front door
3 – Lifting points	11 – 10.1" display	19 – Charging cable output 1
4 – Side air input	12 – Selection buttons	20 – Side air output
5 – Back lock	13 – 2 connector indication LEDs	21 – Station metal base
6 – Charging cable 1	14 – RFID Reader/LED	22 – Location of entry for power cables/wired Ethernet
7 – Connector 1 LED indication	15 – Socket for storing the charging plug 2	23 – Charging cable support 1
8 – Socket for storing the charging plug 1	16 – Front lock	24 – Charging cable support 2

3 INSTALLING

The directions and suggestions must be observed to ensure the operation and safety of people and equipment. The procedures are divided into:

- Mechanical Installation.
- Electrical Installation.

4 MECHANICAL INSTALLATION

The WEMOB-STATION charging station is designed for indoor or outdoor operation, for floor (ground) mounting. Therefore, it is necessary to ensure some specifications to protect the device in its installation site.

4.1 RECOMMENDED HANDLING PROCEDURE

It is recommended to completely remove the packaging only after positioning the WEMOB-STATION charging station in the final place of operation. Before lifting or moving the charging station, read the instructions below to learn about the available points for mechanical connection of lifting equipment, transportation and weak points.

4.2 LIFTING

Make sure that the equipment used to lift the WEMOB-STATION charging station is suitable for its geometry and mass.

Check the center of gravity and ensure that the lifting devices are suitable and safe, with multiple attachment points. The cables or chains used in the lifting must make an angle greater than 45° with the horizontal. The lifting must be performed slowly and steadily. Make sure, beforehand, that there are no obstacles in the entire path to be covered during this stage. If any change or damage to the panel structure is detected, abort the lifting and reposition the cables or chains, as shown in Figure 4.1.

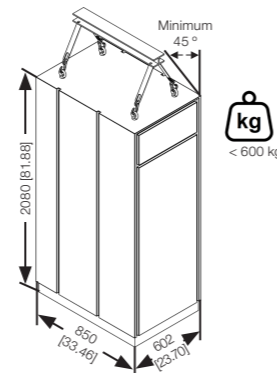


Figure 4.1: Geometry, mass and lifting recommended for the WEMOB-STATION - mm [in]

ATTENTION!

- During lifting, connect chains or cables to all available lifting points on the WEMOB-STATION.
- After positioning the WEMOB-STATION charging station in the final place of operation, the lifting eye bolts must be removed and replaced with M16 stainless steel bolts, stainless steel flat washers and O-ring, which come with the product, in order not to compromise the sealing and protection rating.

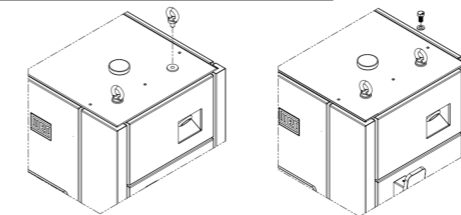


Figure 4.2: View of the replacement of one lifting eye with a bolt, washer and O-ring

4.3 HANDLING

If using a crane or hoist, make sure that the movements are slow and smooth so that the WEMOB-STATION will not suffer excessive swing or vibrations.

When using hydraulic carts, forklifts, rollers or other handling equipment, distribute the mechanical support points of such equipment from one end of the WEMOB-STATION to the other, avoiding applying pressure on fragile areas. If the packaging has already been removed, make sure that all WEMOB-STATION doors are closed and locked and that the handles are in a protected position.

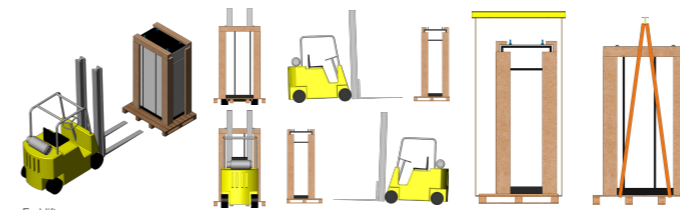


Figure 4.3: Procedure for handling with forklift or hoist

ATTENTION!

- The use of chain under the box for lifting and handling is prohibited.

4.4 ENVIRONMENT CONDITIONS

The following criteria must be observed when selecting the appropriate installation location:

- To ensure a secure mounting, check the condition of the ground before the installation.
- The mounting surface must be stable and resistant enough to withstand the charging station mass.
- Do not install the charging station on sloped surfaces.
- Avoid mounting the station on unstable, moving or uneven surfaces.
- Avoid mounting the station below hanging objects or furniture that may fall and damage it.
- Determine the vehicle parking position to make sure that the station charging cable reaches the charging socket.
- Do not install the charging station near pedestrian and/or vehicle traffic routes, where the charging cable crosses such routes.
- Provide a minimum space of one meter around the entire station to allow users to circulate. It is recommended to provide a barrier to prevent vehicles from colliding with the station.

Environmental conditions for operation:

- Temperature: -25 °C to 40 °C (-13 °F to 104 °F) - rated conditions. From 41 °C to 50 °C (105.8 °F to 122 °F) - with derating.
- Air relative humidity: 5 % to 95 % non-condensing.
- Install the station in environments with air circulation.
- Maximum altitude: 2000 m (65.61 ft) above sea level - rated conditions. For applications at higher altitudes, contact WEG.

To ensure proper operating conditions and a longer service life of the station, the following requirements must be observed:

- Avoid direct exposure to sunlight, rain, snow, extreme cold, excessive humidity or sea air, electrical storms or other adverse weather conditions.
- In places with adverse weather conditions, it is recommended to provide additional protection, install the station inside a building or install an additional protective shelter.
- Do not install the station close to appliances that emit heat.
- Do not install the station close to walls or other equipment without respecting the minimum clearance distances.
- Do not spill water or other liquids inside the equipment.
- Avoid exposure to flammable, explosive or corrosive gases or vapors.
- Do not expose it to excessive vibration.
- Do not expose it to dust, metallic particles or oil mist.
- Avoid exposure to strong water jets, such as pressure washers, garden hoses etc.

4.5 POSITIONING AND FIXING

The WEMOB-STATION charging station must be placed on a smooth concrete surface, made with concrete with a minimum FCK of 25 MPa and properly leveled in the 2 (two) horizontal axes, with a maximum deviation of 1 mm/m (0.039 inch/3.28 ft), avoiding, thus, mechanical instability, misalignment of the doors, among other problems, positioned so as to avoid reflection of lamps and/or sunlight on the display.

Provide a minimum clearance of 1 meter (1 m) (3.28 ft) around the entire station in order to allow good air circulation and better heat dissipation, in addition to the circulation of users. It is recommended to provide a barrier to prevent vehicles from colliding with the station.

In order to prevent overheating, the ventilation openings must not be blocked.

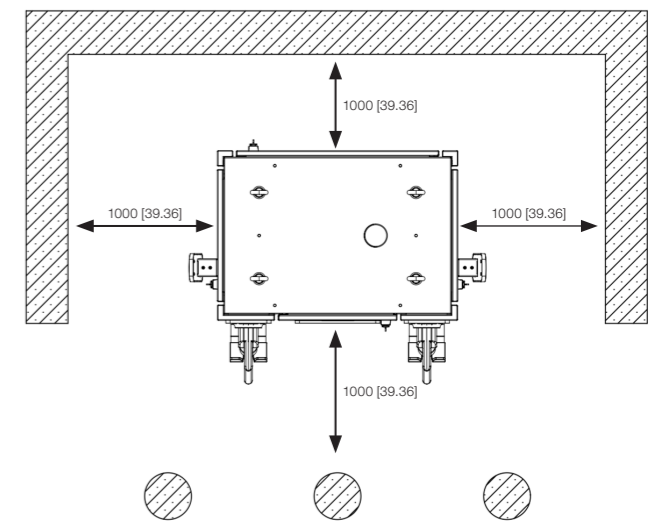


Figure 4.4: Minimum recommended clearance - mm [in]

ATTENTION!

- The final operating position of the WEMOB-STATION must allow heat radiation all over its surfaces and the necessary ventilation flow for its operation.

The front, side and back areas of the WEMOB-STATION cannot be blocked, as they allow the necessary ventilation flow for heat radiation all over its surfaces, in addition to allowing the full opening of the doors, access to internal components for maintenance or installation and/or handling of power and control cables.

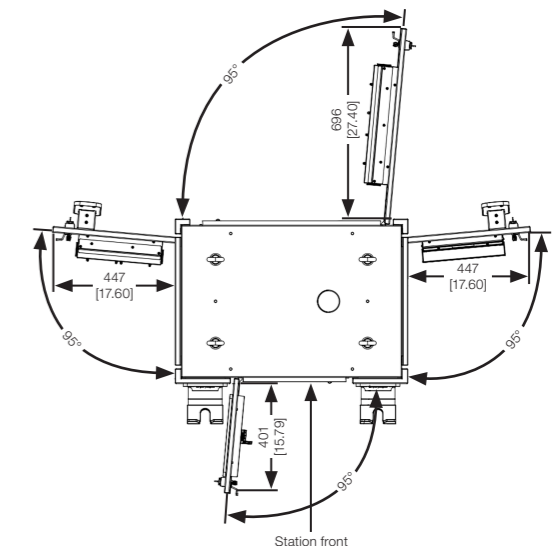


Figure 4.5: Area required for complete opening of the station doors - mm [in]

For fixing the base, four anchor bolts (3/8" x 3.3/4") that come with the product must be used.

Fixing points are shown on Figure 4.6, the highlighted area corresponds to the position of the conduit entry for the power cables and wired Ethernet network.

At least one cable tray or conduit (minimum of 4") must be provided at the bottom of the station for the entry of power cables. If the WEMOB-STATION connection to the internet network is wired using the RJ45 connection, a conduit separate from the main power supply must be provided (minimum 3/4") to avoid electromagnetic interference.

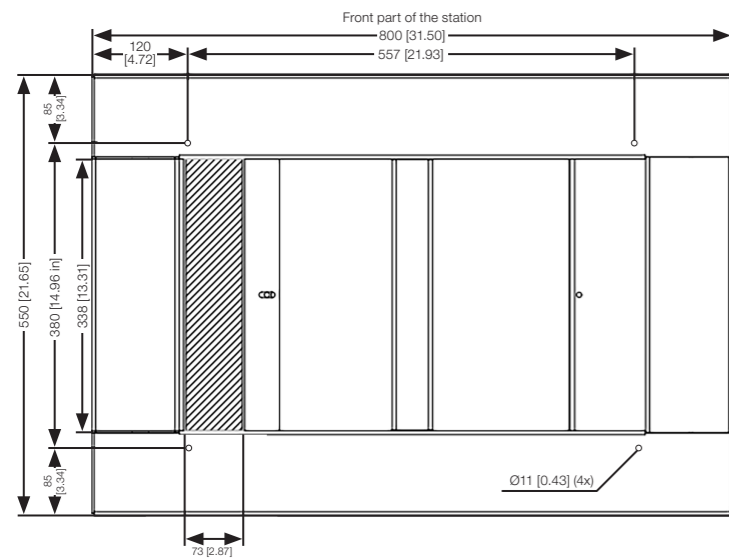


Figure 4.6: Dimensions for fixing and passing the WEMOB-STATION conduits - mm [in]

The WEMOB-STATION charging station must be carefully lowered using lifting equipment or a forklift. Make sure the holes in the base of the station and the fixing points of the concrete base are aligned. If the power cables or ethernet network are already routed through the conduits, be careful not to damage them while fixing the station.

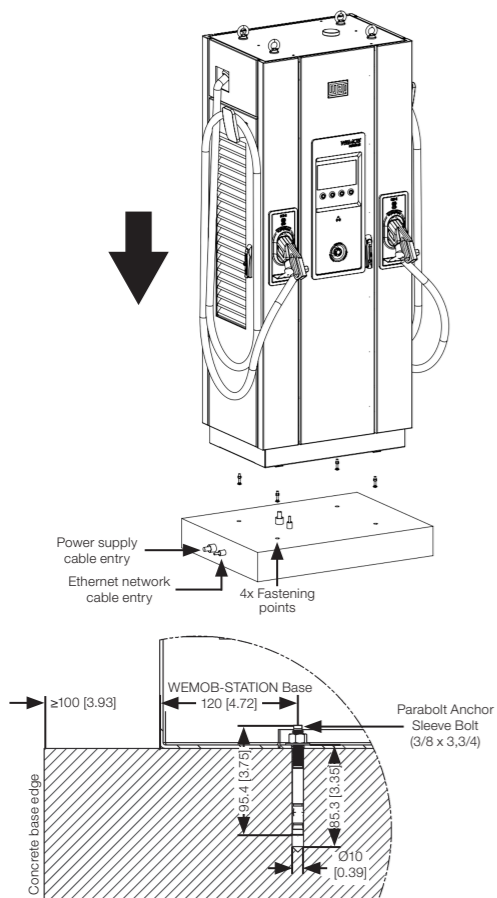


Figure 4.7: Details of the fixing points - mm [in]

4.6 OPENING AND CLOSING THE DOORS

The front, side and rear doors are opened through the retractable handles of the "lift and turn" type.

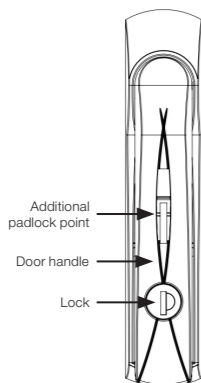


Figure 4.8: Lock located on front/side/back doors

To open the door, follow the instructions below:

1. Insert the key into the lock, turn it to unlock, and if using a padlock for additional protection, remove the padlock.
2. Pull the lever upwards.
3. Turn the lever clockwise.
4. Open the door.

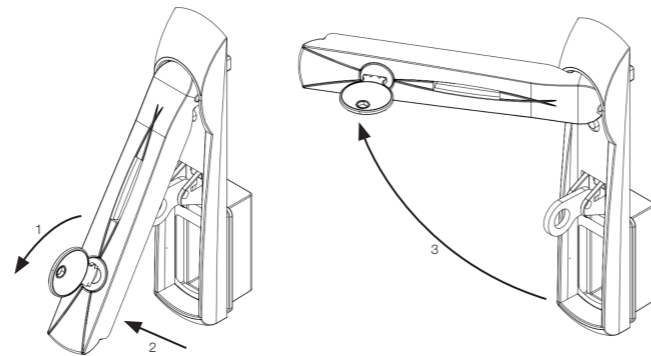


Figure 4.9: Instructions for opening the front/side/back doors

To close it, just follow the reverse order.



NOTE!

- All doors have safety interlock switches connected in series with the emergency stop pushbutton—in case the doors are opened, the power output is safely de-energized.
- Each lock has a key combination.

5 ELECTRICAL INSTALLATION

The following information is a guide for the proper installation. Also comply with the applicable local regulations for electrical installations.



DANGER!

- The WEMOB-STATION demands high current and consequently high power for its operation. Make sure the demand requirements are met by the power utility company.
- Guards and installations must comply with national, state and local electrical installation rules and regulations.
- Make sure the supply line is disconnected before starting the connections.
- The supply line voltage must be compatible with the WEMOB-STATION voltage range.
- The charging station must be connected to a protective earth (PE). The grounding resistance must be lower than 100 Ω or lower than the maximum value defined in the applicable electrical installation standards, and the voltage between.



ATTENTION!

- When flexible cables are used for the power and ground connections, it is necessary to use suitable terminals at the cable ends.
- All electrical connections must be well tightened so that there is no risk of sparking, excessive heating or voltage drop in the circuits.
- It is recommended to use copper conductors.
- Ensure that during installation and use, the charging station is constantly and properly connected to a protective earth (PE).
- Do not share the grounding wiring with other equipment that operate with high currents (e.g., welding machines, high power motors, etc.).

5.1 CONNECTING THE POWER SUPPLY



ATTENTION!

- Check the product identification label for the operating voltage range of the station.
- Connect the primary of the T1 power transformer according to the power supply voltage.
- The WEMOB-STATION charging station has a molded-case circuit breaker inside called "Q1" that guarantees overload and short-circuit protection.

The WEMOB-STATION is connected to the grid directly on the Q1 circuit-breaker terminals (Phases R-S-T) and on Ground (PE) bar (grounding of the structure).

It is recommended to use copper conductors with minimum gauges of:

Model (Station Power)	Maximum Input Current				Minimum Phases Conductors (R-S-T)	Minimum Ground (PE) Conductor
	380 V	440 V	460 V	480 V		
240 kW	400 A	346 A	331 A	317 A	2 x 150 mm ² (per phase)	150 mm ²
180 kW	301 A	260 A	249 A	238 A	185 mm ²	95 mm ²
160 kW	268 A	232 A	222 A	212 A	185 mm ²	95 mm ²
120 kW	202 A	175 A	167 A	160 A	95 mm ²	50 mm ²



NOTE!

- The specified conductor gauges consider the 380 V supply voltage.
- Minimum conductors reported considering insulation in PVC 70 °C (158 °F) in copper, type of free installation (non-agglomerated), reference method F and ambient conductor temperature of up to 45 °C (113 °F).

The appropriate gauge of the power cables depends on the power and distance from the distribution box or switchboard to the charging station. Single cables or multiple cables can be used to meet the required power. Observe possible correction factors for the current capacity of the cables considering the installation method, temperature, distance and voltage drop. Under certain circumstances, that may lead to an increase in the cable cross section.

The connections on the "Q1" circuit-breaker terminals must be made using lug terminals, pre-insulated or crimped, respecting the following recommended limit on Figure 5.1.

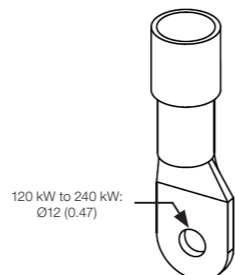


Figure 5.1: Lug terminal specification - mm [in]

Pay attention to the size of the lug terminal, comparing its dimension to the opening between the phase barriers or terminal covers. The recommended tightening torque for the Ø12 (0.47) lug terminal screws is 75 Nm.

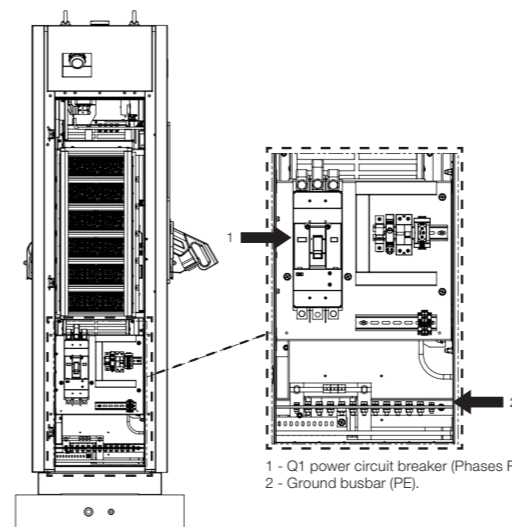


Figure 5.2: Power cable connections - Phases (R-S-T) and ground (PE)

5.2 SELECTION OF RATED SUPPLY VOLTAGE

The auxiliary and control circuits are powered by an internal transformer. It is necessary to select the rated voltage of the power supply: 380, 440, 460 or 480 VAC, on the TAG terminal set: XT.

To make this setting, follow the instructions below:

1. Open the station back door.
2. Locate the XT terminal set at the bottom of the station (Figure 5.3).
3. Using a 4 mm screwdriver, remove the cable from the XT:F terminal and put it on the XT:380, 440, 460 or 480 V terminal, according to the desired supply voltage.

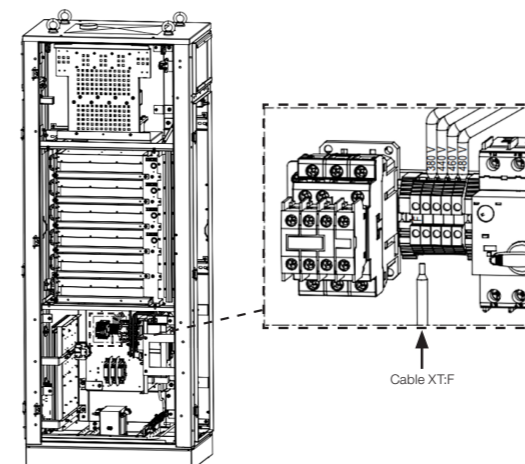


Figure 5.3: Setting the supply voltage

5.3 PROTECTION DEVICE



ATTENTION!

- The WEMOB-STATION must be connected to an exclusive three-phase protection circuit breaker and to a residual current device (RCD) with sensitivity of 30 mA (AC) type A, for the charging station power circuit.

Determine the rated operating current of the circuit breaker upstream from the WEMOB-STATION charging station according to the data provided by the manufacturer, the maximum input current of the station, the short circuit levels of the installation and the station, the gauge and length of the power cables.

Also take into account the derating of the circuit-breaker rated current as a function of the ambient temperature in which the circuit-breaker is installed (in the distribution panel or circuit-breaker board), in addition to the selectivity of the protections.

5.4 POWER-UP PREPARATION

Before energizing the WEMOB-STATION, check that:

- All the power, grounding and control connections are correct and secure.
- The resistance between the ground (PE) of the station and the ground (PE) of the low voltage switchgear complies with local regulations.
- All tools, materials used in the installation or foreign objects that are not part of the product have been removed from inside the WEMOB-STATION.
- With the aid of a voltmeter (AC) check the values of the line voltages. Voltages between terminals R, S and T of Q1 circuit breaker must be within the station permissible operating range (as indicated on the product label).

6 OPERATION



DANGER!

- Before operating the charging station, perform a visual inspection for damage. A damaged charging station must be removed from service and repaired.
- Do not allow the charging station to be operated by children or people with reduced mental or sensory abilities.

After completing the mechanical and electrical installation, the WEMOB-STATION charging station is ready to go into operation. Open the left side door and switch the "Q1" circuit breaker on. After switching on the "Q1" circuit breaker, close the door as the safety interlock switches are in series with the emergency pushbutton.



NOTE!

- All doors have safety interlock switches connected in series with the emergency stop pushbutton—in case the doors are opened, the power output is safely de-energized.
- Check that the emergency stop pushbutton is not activated.
- The emergency stop button must not be used as an option to end a charging procedure or to stop another user from charging.

When the charging station is energized, an opening video is shown on the display, the status LEDs of the connector will light solid GREEN, indicating that the station is ready to start charging.

The WEMOB-STATION charging station features a 10.1" color display that provides a user-friendly interface with detailed instructions and information to start and stop a charging process, including information about charging in progress, charging time and battery charge level, allowing the operation of the charging station in an easy and intuitive way.

6.1 INDICATION LEDs

Above the socket for keeping the recharging plug is a set of indication LEDs that provides visual information about the operational status of connectors. It consists of four (04) LEDs, which can light up or flash together or individually, in various colors. In addition, beeps can be emitted to inform the status.

- 1 - Red Fault
- 2 - Green Ready
- 3 - Yellow Waiting
- 4 - Blue Charging

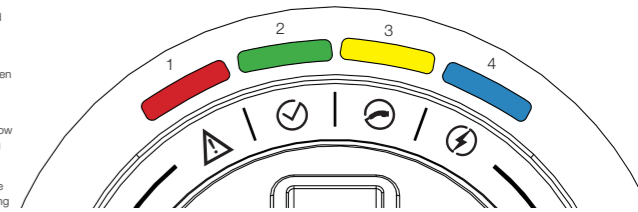


Figure 6.1: Indication LEDs

Table 6.1: Status indication

LED Color	Status	Description
All LEDs flashing	STARTING	Charging station in self-test
All LEDs off	OFF	Charging station without power supply
Solid green	AVAILABLE	Station ready for use
Flashing green	AUTHORIZED	User authorized for charging (only if the station requires authentication)
Solid yellow	WAITING	Electric vehicle connected and in recognition process
Flashing yellow		Charging completed or suspended
Solid blue	CHARGING	Charging in progress
Flashing red	FAULT	Station in fault or error state



DANGER!

- Do not force the vehicle disconnection by pulling the charging cable. First interrupt the charge through your vehicle, and only after the release remove the plug.
- Some electric vehicles allow the engine to start with the charging cable connected. Be sure to disconnect the cable before moving the vehicle.

7 DIMENSIONS

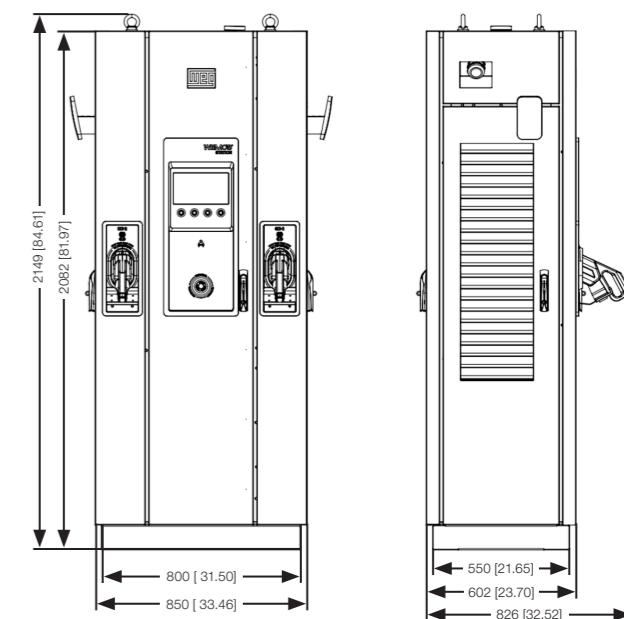


Figure 7.1: WEMOB-STATION dimensions in mm [in]



NOTE!

- WEMOB® is a trademark of WEG S/A.

Scan the QR Code below for more information.



User Manual



"This device has no right to protection against harmful interference and cannot cause interference in duly authorized systems."

"It incorporates product approved by ANATEL under number 17035-20-03402".



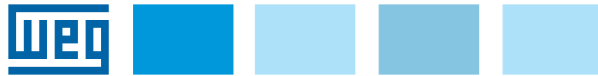
"This device has no right to protection against harmful interference and cannot cause interference in duly authorized systems."

"It incorporates product approved by ANATEL under number 02765-22-07968".



"This device has no right to protection against harmful interference and cannot cause interference in duly authorized systems."

"It incorporates product approved by ANATEL under number 08590-22-07908".



Español

Guía de Instalación Rápida

WEMOB-STATION

Estación de Carga para Vehículos Eléctricos (VE)

Modelos: 120 a 240 kW

1 INSTRUCCIONES DE SEGURIDAD

Todos los procedimientos de seguridad descritos en esta guía de instalación rápida y en el manual de instalación y operación de la estación de recarga para vehículos eléctricos WEMOB-STATION deben ser seguidos. Los procedimientos recomendados tienen como objetivo proteger al usuario contra muerte, heridas graves y daños materiales considerables. Seguir también las normas de instalaciones eléctricas aplicables a su localidad.

1.1 INFORMACIONES GENERALES

Esta guía de instalación rápida contiene las informaciones básicas necesarias para instalación, configuración y operación de la estación de recarga para vehículos eléctricos WEMOB-STATION.

1.2 RECOMENDACIONES PRELIMINARES

¡PELIGRO!

- Solamente personas con cualificación adecuada y familiaridad con la estación de recarga y equipos asociados, deben planear o implementar la instalación, arranque, operación y mantenimiento de este equipo.
- Estas personas deben seguir todas las instrucciones de seguridad contenidas en esta guía, en el manual de instalación y operación y/o definido por las normas locales.
- No seguir las instrucciones de seguridad puede resultar en riesgo de muerte y/o daños en el equipo.
- Una estación de recarga dañada debe ser retirada de servicio y reparada. La reparación sólo debe ser realizada por el fabricante o por el representante de éste. No está permitida ninguna alteración o modificación en la estación de recarga.
- Siempre desconecte la alimentación general antes de tocar cualquier componente eléctrico asociado a la estación de recarga para vehículos eléctricos.

¡ATENCIÓN!

- Tenga el cuidado de no dañar las placas de circuitos o los componentes de la estación de recarga.
- Las tarjetas electrónicas poseen componentes sensibles a descarga electrostática. No toque directamente sobre los componentes o conectores.

¡NOTA!

- Para los propósitos de este guía, personas cualificadas son aquellas capacitadas de forma de estar aptas para:
 1. Instalar, poner a tierra, energizar y operar la estación de recarga para VE de acuerdo con este guía, manual del usuario, y con los procedimientos legales de seguridad vigentes.
 2. Usar los equipos de protección de acuerdo las normas establecidas.
 3. Prestar servicios de primeros auxilios.
- Si la estación de carga no se utiliza durante un largo período de tiempo, se recomienda mantenerla encendida para evitar la condensación en su interior.

1.3 RECEPCIÓN Y ALMACENAMIENTO

La estación de recarga WEMOB-STATION es suministrada embalada en jaula de madera, con revestimiento interno en plástico. En la parte externa de este embalaje existe una etiqueta que describe las características principales del producto: modelo, ítem de stock WEG, número de serie, fecha de fabricación, etc.

Al recibirlo verifique si:

- La etiqueta de identificación corresponde al modelo comprado.
- Ocurrieran daños durante el transporte. En caso de que sea detectado algún problema, contacte inmediatamente a la transportadora.
- Si la estación de recarga WEMOB-STATION no es instalada inmediatamente, manténgala dentro del embalaje cerrado y almacénala en un lugar limpio y seco, con temperatura entre - 25 °C y + 80 °C.

Luego de la recepción:

- Remover la película plástica, para evitar la condensación de la humedad.
- No almacenarla en contacto con rayos solares, lluvia, frío extremo, humedad excesiva o brisa marina.
- Almacenarla en local limpio y protegido, y con humedad del aire no superior a 80 %.
- Durante el tiempo de almacenamiento, deben ser cumplidas las condiciones citadas anteriormente, no obstante, cuando los componentes sean almacenados por más de un año, deberán ser tomadas medidas para deshumidificar el local de almacenamiento.
- Al usar equipos, tras un largo período de almacenamiento, verifique si el equipo está libre de arañones, suciedad, herrumbre u otros.

¡NOTA!

- El desempeño y la confiabilidad de la estación de recarga WEMOB-STATION pueden ser perjudicados si la estación fuera almacenada en un ambiente fuera de las condiciones citadas anteriormente.

1.4 APERTURA DEL EMBALAJE

Utilice herramientas adecuadas para desembalar la estación de recarga WEMOB-STATION, remueva la película plástica, con auxilio de las manos o de trincheta, teniendo siempre el cuidado de no dañar la estación.

Durante la apertura del embalaje, inspeccionar posibles daños. No instalar la estación de recarga WEMOB-STATION en caso de cualquier sospecha de daño encontrado.

Retire cualquier partícula proveniente del embalaje (plástico, madera, telgopor, metal, clavos, tornillos, tuercas, etc.) que pueda haber permanecido en la estación de recarga.

¡ATENCIÓN!

- Utilice equipo de protección individual (EPI).
- Si cualquier componente presentara problemas (daños) se recomienda:
 - Parar con la apertura del embalaje inmediatamente.
 - Contactar a la transportadora y registrar, de modo formal, el problema encontrado.
 - Sacar fotos de las piezas y/o componentes dañados.

2 VISIÓN GENERAL

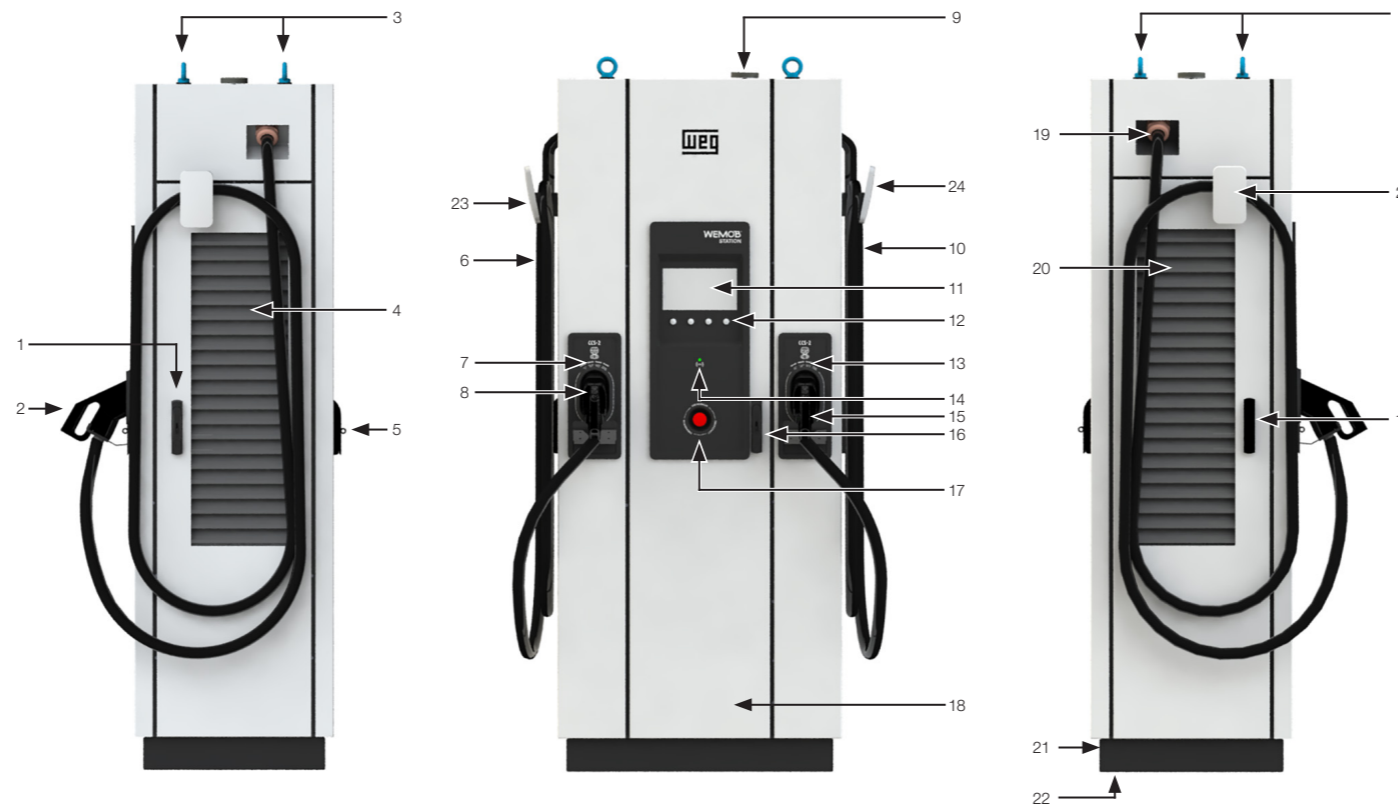


Figura 2.1: Visión general de la estación de recarga WEMOB-STATION (120-240 kW)

Tabla 2.1: Visión general de la estación de recarga WEMOB-STATION (120-240 kW)

1 – Fechadura lateral	9 – Antena Wi-Fi/Celular	17 – Botón de emergencia
2 – Plug de recarga 2	10 – Cabo de recarga 2	18 – Puerta frontal
3 – Puntos de izamiento	11 – Display 10,1"	19 – Salida cable de recarga 1
4 – Entrada lateral de aire	12 – Botones de selección	20 – Salida lateral de aire
5 – Cerradura trasera	13 – LEDs de señalización conector 2	21 – Base metálica de la estación
6 – Cable de recarga 1	14 – Lector/LED RFID	22 – Localización entrada de cables de potencia/Ethernet cableada
7 – LEDs de señalización conector 1	15 – Soquete para guardar o plugue de recarga 2	23 – Soporte cabo de recarga 1
8 – Stecker para guardar el plug de recarga 1	16 – Cerradura frontal	24 – Soporte cabo de recarga 2

3 INSTALACIÓN

Las orientaciones y sugerencias deben ser seguidas para el correcto funcionamiento y la seguridad de personas y equipos. Los procedimientos son divididos en:

- Instalación mecánica.
- Instalación eléctrica.

4 INSTALACIÓN MECÁNICA

La estación de recarga WEMOB-STATION fue proyectada para uso interno o externo, para fijación en piso (suelo). En ese sentido, es necesario garantizar algunos requisitos para protección del dispositivo en el lugar de instalación.

4.1 PROCEDIMIENTOS RECOMENDADOS EN LA MANIPULACIÓN

Se recomienda retirar totalmente el embalaje solamente luego posicionar la estación de recarga WEMOB-STATION en el local definitivo de operación. Antes de izar o mover la estación de recarga, lea las instrucciones de abajo, para conocer los puntos disponibles para conexión mecánica de los equipos de izamiento, transporte y puntos frágiles.

4.2 IZAMIENTO

Asegúrese de que el equipo utilizado para realizar el izamiento de la estación de recarga WEMOB-STATION sea adecuado a su geometría y masa.

Observe el centro de gravedad y asegúrese de que los soportes de izamiento sean adecuados y seguros, con múltiples puntos de acoplamiento. Los cables o cadenas utilizados en el izamiento deben hacer un ángulo mayor que 45° con respecto a la horizontal. El izamiento debe ser realizado lentamente y de modo estable. Asegúrese, previamente, de la inexistencia de obstáculos en todo el trayecto a ser recorrido durante esta etapa. En caso de que sea constatada cualquier alteración o daños en la estructura del tablero, abortar el izamiento y reposicionar los cables o cadenas, conforme es presentado en la Figura 4.1.

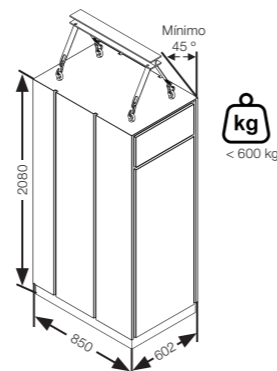


Figura 4.1: Geometría, masa e izamiento recomendables para la WEMOB-STATION - mm

¡ATENCIÓN!

- Durante el izamiento, acople las cadenas o cables en todos los puntos de izamiento disponibles en la WEMOB-STATION.
- Luego de posicionar la estación de recarga WEMOB-STATION en el local definitivo de operación, los ganchos de izamiento deberán ser removidos y sustituidos por tornillos M16 inox, arandelas lisas inox y anillo O'ring, que vienen con el producto, para no comprometer el sellado ni el grado de protección.

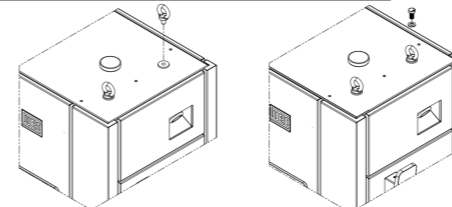


Figura 4.2: Detalle de cambio del ojal de izamiento para tornillo, arandela y anillo O'ring

4.3 DESPLAZAMIENTO

En caso de la utilización de grúa o polipasto, asegúrese de que los movimientos sean lentos y suaves, de forma que la WEMOB-STATION no se balancee ni vibraciones excesivas.

En la utilización de carros hidráulicos, apiladoras, rodillos de carga u otro equipo de transporte, distribuir los puntos de sustentación mecánica de estos equipos, de una extremidad a la otra de la WEMOB-STATION, evitando aplicar presiones sobre áreas frágiles. En caso de que el embalaje ya haya sido removido, asegúrese de que todas las puertas de la WEMOB-STATION estén cerradas y trabadas y que los picaportes estén en posición protegida.

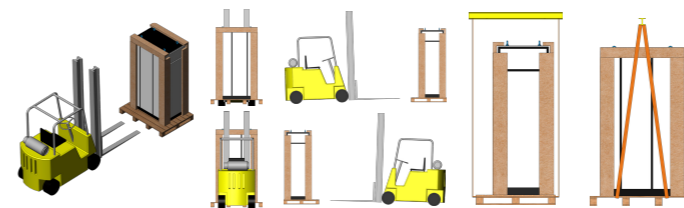


Figura 4.3: Procedimiento para movimiento con apiladora o polipasto

¡ATENCIÓN!

- Prohibido el uso de cadena para izamiento y el tránsito por debajo de la caja.

4.4 CONDICIONES AMBIENTES

Deben ser considerados los siguientes criterios, para selección del local de instalación adecuado:

- Para garantizar una fijación segura, verifique la condición del piso (suelo) antes de la instalación.
- La superficie de montaje debe ser suficientemente estable y resistente para soportar la masa de la estación de recarga.
- No instalar la estación de recarga en superficies inclinadas.
- Evitar fijación en superficie inestable, móvil o irregular.
- Debajo de objetos o muebles suspendidos que puedan caer y dañarla.
- Determine la posición de estacionamiento del vehículo para asegurarse de que el cable de carga de la estación alcance el enchufe de carga.
- No instale la estación de recarga cerca de vías de tráfico de peatones y/o vehículos, donde los cables de alimentación las crucen.
- Debe ser previsto un espacio mínimo de 1 metro (1m) en torno de toda la estación, de forma de permitir la circulación de los usuarios. Se recomienda prever barrera física, para evitar colisión entre los vehículos y la estación de recarga.

Condiciones ambientales permitidas para el funcionamiento:

- Temperatura: -25 °C a 40 °C - condiciones nominales. De 41 °C a 50 °C - con derating.
- Humedad relativa del aire: 5 % a 95 % sin condensación.
- Instalar la estación en ambientes con circulación de aire.
- Altitud máxima: 2000 m por encima del nivel del mar - condiciones nominales. En aplicaciones superiores, consultar a WEG.

Para garantizar condiciones adecuadas de operación y mayor vida útil de la estación, deben ser cumplidos los requisitos a seguir:

- Evitar la exposición directa a rayos solares, lluvia, nieve, frío extremo, humedad excesiva o brisa marina, tempestades eléctricas u otras condiciones climáticas adversas.
- En locales con condiciones climáticas adversas es recomendable suministrar protección adicional, instalar la estación en el interior de un edificio o instalar una cobertura adicional de protección.
- No instalar la estación cerca de aparatos que emiten calor.
- No instalar la estación cerca de paredes u otros equipos, sin respetar las distancias mínimas de espaciamiento.
- No derramar agua ni otros líquidos dentro del equipo.
- Evitar la exposición a gases, vapores, líquidos inflamables, explosivos o corrosivos.
- No exponer a vibración excesiva.
- No exponer a polvo, partículas metálicas o aceites suspendidos en el aire.
- Evite la exposición a chorros fuertes de agua, como lavadora de alta presión, manguera de jardín, etc.

4.5 POSICIONAMIENTO Y FIJACIÓN

La estación de recarga WEMOB-STATION debe ser posicionada en una superficie de concreto lisa, elaborada con concreto con FCK de, como mínimo, de 25 MPa y debidamente nivelada en los 2 (dos) ejes horizontales, con un desvío máximo de 1 mm/m, evitando, así, inestabilidad mecánica, desalineación de puertas, entre otros problemas, direccionada de forma de evitar reflejo de lámparas y/o luz solar en el display.

Debe ser previsto un espacio mínimo de 1 metro (1 m) en torno de toda la estación, de forma de permitir una buena circulación de aire y mejor disipación del calor, además de la circulación de los usuarios. Se recomienda prever barrera física, para evitar colisión entre los vehículos y la estación de recarga.

Para evitar el supercalentamiento, las aberturas de ventilación no deben ser obstruidas.

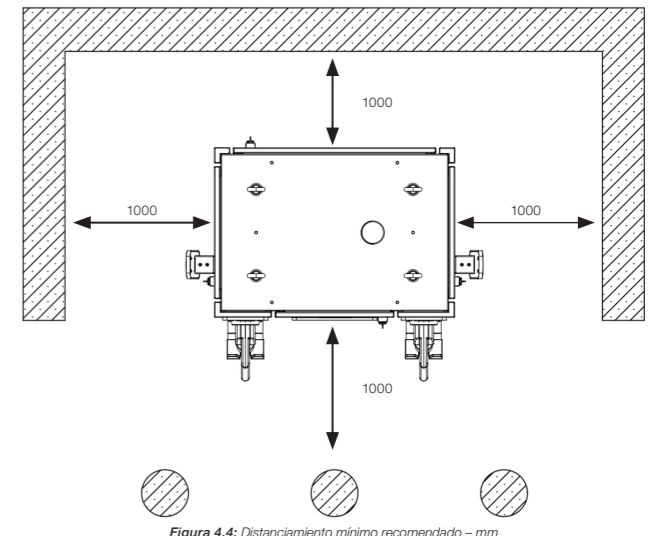


Figura 4.4: Distanciamiento mínimo recomendado - mm

¡ATENCIÓN!

- La posición final de operación de la WEMOB-STATION debe permitir la radiación de calor por todas sus superficies y permitir el flujo de ventilación necesario para su funcionamiento.

Las áreas frontal, laterales y trasera de la WEMOB-STATION no pueden ser obstruidas, ya que permiten el flujo de ventilación necesario para radiación de calor por todas sus superficies, además de posibilitar la apertura total de las puertas, acceso a los componentes internos para mantenimiento o instalación y/o manipulación de los cables de energía y control y libre acceso a la parte frontal para uso de la estación.

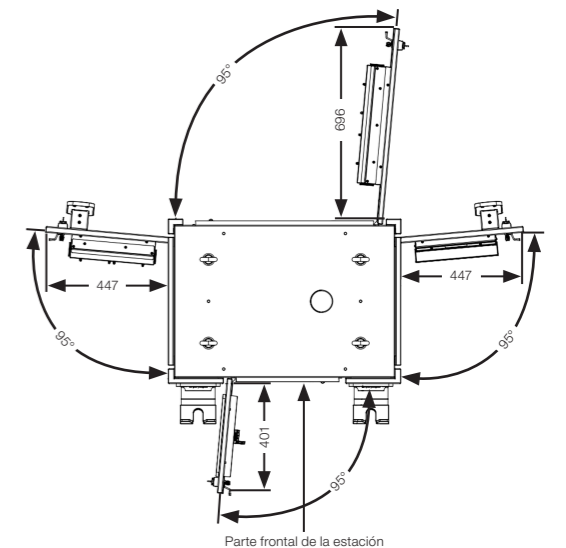


Figura 4.5: Área necesaria para la apertura completa de las puertas de la estación - mm

Para la fijación de la base deberán ser utilizados 4 ancladores, (3/8" x 3,3/4") que vienen con el producto.

Los puntos de fijación son mostrados en la Figura 4.6, el área destacada corresponde a la posición de la entrada de los electroductos de los cables de alimentación y red Ethernet cableada.

Deberá ser previsto al menos un electrocanal o electroducto (mínimo de 4") en la parte inferior de la estación para la entrada de cables de alimentación. En caso de que la conexión de la WEMOB-STATION la red internet sea de forma cableada, usando la conexión RJ45, deberá ser providenciado electroducto (mínimo 3/4") independiente de la alimentación general, para evitar interferencias electromagnéticas.

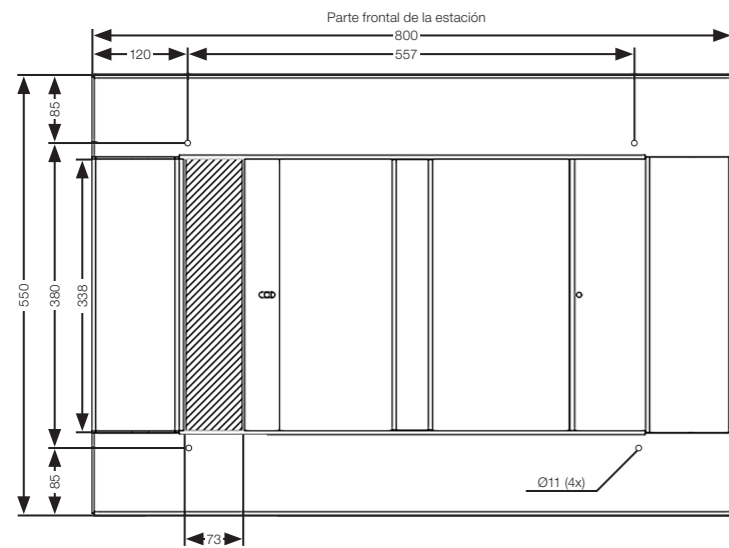


Figura 4.6: Dimensiones para fijación y pasaje de los electroductos de la WEMOB-STATION - mm

La estación de recarga WEMOB-STATION debe ser cuidadosamente bajada, utilizando equipo de izamiento o apiladora. Asegúrese del alineación entre los orificios de la base de la estación y los puntos de fijación de la base de concreto. Si los cables de alimentación o la red ethernet ya estuvieran pasados por los electroductos, tenga el cuidado de no dañarlos durante la fijación de la estación.

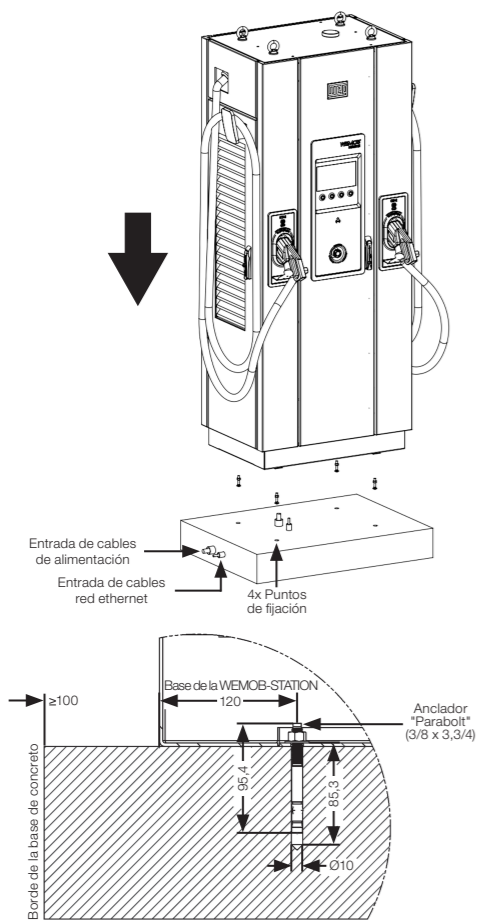


Figura 4.7: Detalles de los puntos de fijación - mm

4.6 APERTURA Y CIERRE DE LAS PUERTAS

La apertura y el cierre de las puertas frontal, laterales y trasera, son hechos a través de las picaportes escamoteables, del tipo "levante y gire".

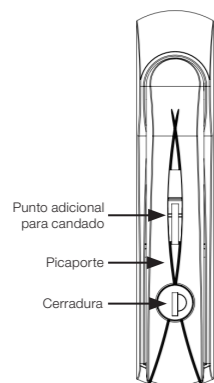


Figura 4.8: Cerradura localizada en las puertas frontal/laterales/trasera

Para abrir la puerta siga las instrucciones de abajo:

1. Coloque la llave en el tambor de la cerradura, gire para destrabar, en caso de que esté usando un candado para protección adicional, retírelo.
2. Tire de la palanca hacia arriba.
3. Gire la palanca en sentido horario.
4. Abra la puerta.

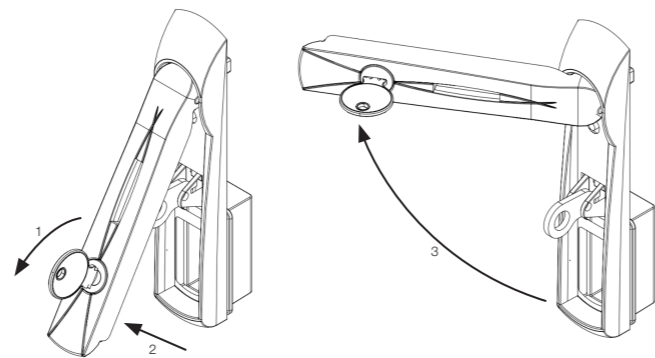


Figura 4.9: Instrucciones para apertura de las puertas frontal/laterales/trasera

Para cerrar, basta seguir el orden inverso.



¡NOTA!

- Todas las puertas poseen llaves de enclavamiento de seguridad conectadas en serie con el botón de parada de emergencia, en caso de apertura de las puertas, la salida de potencia es desenergizada de manera segura.
- Cada cerradura tiene un secreto de llave.

5 INSTALACIÓN ELÉCTRICA

Las informaciones a seguir tienen la intención de servir como guía para obtenerse una instalación correcta. Seguir también las normas de instalaciones eléctricas aplicables a su localidad.



¡PELIGRO!

- La estación WEMOB-STATION demanda alta corriente y, consecuentemente, potencia elevada para su funcionamiento. Asegúrese de que los requisitos de demanda sean seguidos por la concesionaria de energía eléctrica.
- Las protecciones e instalaciones deben seguir las normas nacionales, estatales y locales de instalaciones eléctricas.
- Asegúrese de que la red de alimentación esté desconectada antes de iniciar las conexiones.
- La tensión de la red de alimentación debe ser compatible con el rango de tensión de la WEMOB-STATION.
- La estación de recarga debe ser obligatoriamente conectada a un tierra de protección (PE). La resistencia de puesta a tierra debe ser menor a 100 Ω o inferior al valor máximo definido en las normas de instalación eléctrica aplicables.



¡ATENCIÓN!

- Cuando sean utilizados cables flexibles para las conexiones de alimentación y puesta a tierra, será necesario utilizar terminales adecuados en las puntas de los cables.
- Todas las conexiones eléctricas deben ser firmemente apretadas de forma de no haber riesgo de chisporro, calentamiento excesivo o caída de tensión en los circuitos.
- Se recomienda la utilización de conductores de cobre.
- Asegúrese de que durante la instalación y utilización, la estación de recarga esté constantemente y adecuadamente conectada al tierra de protección (PE).
- No comparta el cableado de puesta a tierra con otros equipos que operen con altas corrientes (como por ejemplo: máquinas de soldadura, motores de alta potencia, entre otros).

5.1 CONEXIÓN DE LA RED DE ALIMENTACIÓN



¡ATENCIÓN!

- Verifique en la etiqueta de identificación del producto, el rango de tensión de operación de la estación.
- Conecte el primario del transformador de potencia T1 de acuerdo con el voltaje de alimentación.
- La estación de recarga WEMOB-STATION tiene internamente un disyuntor en caja moldeada que garantiza la protección de sobrecarga y cortocircuito, denominado "Q1".

La conexión de la estación WEMOB-STATION a la red eléctrica es hecha directamente en los terminales del disyuntor Q1 (Fases R-S-T) y en la barra Tierra (PE) (puesta a tierra de la estructura).

Se recomienda utilizar conductores de cobre con calibres mínimos de:

Modelo (Potencia de la Estación)	Corriente Máxima de Entrada				Conductor Mínimo Fases (R-S-T)	Conductor Mínimo Tierra (PE)
	380 V	440 V	460 V	480 V		
240 kW	400 A	346 A	331 A	317 A	2 x 150 mm ² (por fase)	150 mm ²
180 kW	301 A	260 A	249 A	238 A	185 mm ²	95 mm ²
160 kW	268 A	232 A	222 A	212 A	185 mm ²	95 mm ²
120 kW	202 A	175 A	167 A	160 A	95 mm ²	50 mm ²



¡NOTA!

- Los calibres de los conductores especificados consideran la tensión de alimentación de 380 V.
- Conductores mínimos declarados considerando aislamiento en PVC 70 °C en cobre, tipo de instalación libre (no aglomerado), método de referencia F y temperatura ambiente del conductor de hasta 45 °C.

El calibre adecuado de los conductores del cable de alimentación depende de la potencia y de la distancia de la caja de distribución o cuadro de disyuntores hasta la estación de recarga. Pueden ser usados cables únicos o múltiples cables para atender la potencia necesaria. Observe posibles factores de corrección de la capacidad de corriente de los cables, en razón de la forma de instalación, temperatura, distancia y caída de tensión. Bajo ciertas circunstancias, eso puede llevar al aumento de la sección transversal del cable.

Las conexiones en los terminales del disyuntor "Q1" deben ser hechas utilizando terminal ojal, preaislado o de compresión, respetando el límite recomendado en la Figura 5.1.

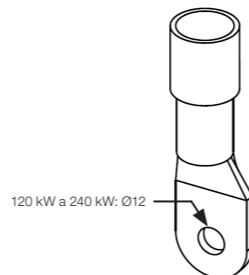


Figura 5.1: Especificación del terminal ojal - mm

Estar atento al tamaño del terminal ojal, comparando el dimensional de este con la abertura entre los separadores de fases o cubrebornes. El par de apriete recomendado de los tornillos de los terminales ojales de Ø12 es de 75 Nm.

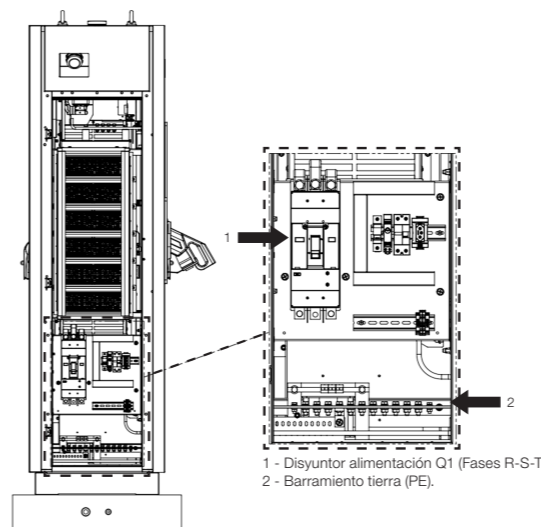


Figura 5.2: Conexiones de los cables de alimentación - Fases (R-S-T) y puesta a tierra (PE)

5.2 SELECCIÓN DE LA TENSIÓN NOMINAL DE ALIMENTACIÓN

Los circuitos auxiliares y de comando son alimentados a partir de un transformador interno. Es preciso seleccionar la tensión nominal de la red de alimentación, 380, 440, 460 o 480 VCA, en el terminal TAG configure: XT.

Para hacer este ajuste, siga las instrucciones de abajo:

1. Abra la puerta trasera de la estación.
2. Localice el conjunto de bornes XT en la parte inferior de la estación (Figura 5.3)
3. Usando un destornillador de hendidura 4 mm, retire el cable del borne XT:F y reposiciónelo en el borne XT:380, 440, 460 o 480 V, de acuerdo con la tensión de alimentación deseada.

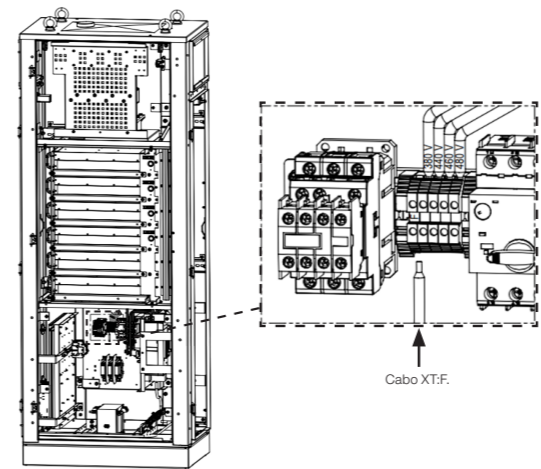


Figura 5.3: Ajuste de la tensión de la red de alimentación

5.3 DISPOSITIVO DE PROTECCIÓN



¡ATENCIÓN!

- La estación de recarga WEMOB-STATION debe ser conectada a un disyuntor de protección trifásico y a un interruptor diferencial residual (RCD o DR) de sensibilidad de 30 mA (CA) tipo A, exclusivo para el circuito de alimentación de la estación de recarga.

Determine la corriente nominal de trabajo del disyuntor anterior de la estación de recarga WEMOB-STATION, de acuerdo con los datos suministrados por el fabricante, la corriente máxima de entrada de la estación, los niveles de cortocircuito de la instalación y de la estación, el calibre y el largo de los cables de alimentación.

También tome en consideración el factor de reducción de la corriente nominal del disyuntor, en función de la temperatura ambiente en que el disyuntor está instalado (en el tablero de distribución o en el cuadro de disyuntores), además de la selectividad de las protecciones.

5.4 PREPARACIÓN PARA LA ENERGIZACIÓN

Antes de energizar la WEMOB-STATION, verifique si:

- Todas las conexiones de potencia, puesta a tierra y de control están correctas y firmes.
- La resistencia entre el tierra (PE) de la estación y el tierra (PE) del cuadro de baja tensión está de acuerdo con las normas locales.
- Fueron retirados del interior de la WEMOB-STATION todas las herramientas, sobras de materiales utilizados en la instalación u objetos extraños que no hacen parte del producto.
- Con el auxilio de un voltímetro (CA), verifique los valores de las tensiones de línea. Las tensiones entre los terminales R, S y T del disyuntor Q1 deben estar dentro del rango permitido de operación de la estación (conforme es indicado en la etiqueta del producto).

6 OPERACIÓN



¡PELIGRO!

- Antes de operar la estación de recarga, haga una inspección visual en busca de daños.
- Una estación de recarga dañada debe ser retirada de servicio y reparada.
- No permita que la estación de recarga sea operada por niños, personas con capacidades físicas, mentales o sensoriales reducidas.

Luego de la finalización de la instalación mecánica y eléctrica, la estación de recarga WEMOB-STATION estará apta para entrar en funcionamiento. Abra la puerta lateral izquierda y arme el disyuntor "Q1". Luego de armado el disyuntor "Q1", cierre la puerta, ya que las llaves de enclavamiento de seguridad están en serie con el botón de emergencia.



¡NOTA!

- Todas las puertas poseen llaves de enclavamiento de seguridad conectadas en serie con el botón de parada de emergencia, en caso de apertura de las puertas, la salida de potencia es desenergizada de manera segura.
- Verificar si el botón de parada de emergencia no está actuado.
- El botón de parada de emergencia no debe ser usado como alternativa para finalizar una sesión de recarga ni para interrumpir la recarga de otro usuario.

Al energizar la estación de recarga, en el display será exhibido un vídeo de apertura, los LEDs de status del conector señalarán en color VERDE continuo, indicando que la estación está disponible para iniciar una recarga.

La estación de recarga WEMOB-STATION integra un display colorido de 10.1" que proporciona una interfaz amigable con el usuario, con instrucciones e informaciones detalladas para iniciar y parar una recarga, incluyendo informaciones sobre la recarga en andamiento, tiempo de recarga, nivel de la recarga de la batería, etc., presentadas en la pantalla del display, permitiendo operar de manera fácil e intuitiva la estación de recarga.

6.1 LEDS DE SEÑALIZACIÓN

Sobre el stecker para guardar el plug de recarga hay un conjunto de LEDs de señalización que suministra informaciones visuales sobre el status operacional de los conectores. Está compuesto por cuatro (04) LEDs, que pueden encenderse o parpadear juntos o individualmente, en varios colores. Además de eso, pueden ser emitidas señales sonoras para informar su status.

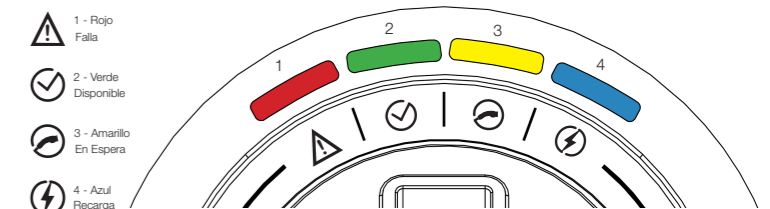


Figura 6.1: LEDs de señalización

Tabla 6.1: Señalización de status

Color del LED	Status	Descripción
Todos los LEDs encendidos intermitente	INICIALIZANDO	Estación de recarga en autoprueba
Todos los LEDs apagados	APAGADA	Estación de recarga sin alimentación
Verde continuo	DISPONIBLE	Estación pronta para utilización
Verde intermitente	AUTORIZADO	Usuario autorizado para recarga (solamente si la estación exige autenticación)
Amarillo continuo	EN ESPERA	Vehículo eléctrico conectado y en proceso de reconocimiento
Amarillo intermitente		Recarga completa o suspendida
Azul continuo	RECARGA	Recarga en andamiento
Rojo intermitente	FALLA	Estación en estado de falla o error



¡PELIGRO!

- No fuerce la desconexión del vehículo tirando del cable de recarga. Interrumpa previamente la recarga a través de su vehículo y solamente tras la liberación, retire el plug.
- Algunos vehículos eléctricos permiten el arranque del motor con el cable de recarga conectado. Asegúrese de desconectar el cable antes de mover el vehículo.

7 DIMENSIONES

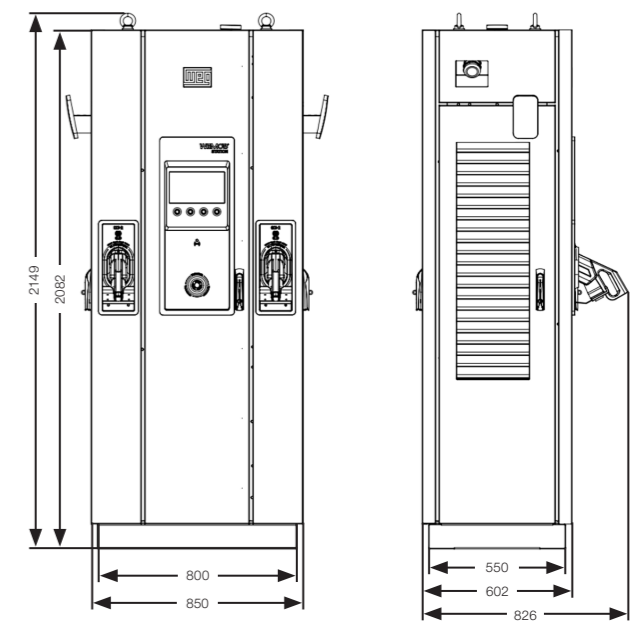


Figura 7.1: Dimensiones de la WEMOB-STATION en mm



¡NOTA!

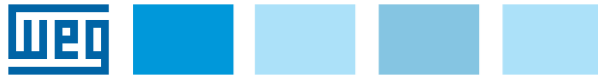
- WEMOB® es marca registrada de WEG S/A.

Escanee el código QR abajo para obtener más información:



Manual del Usuario

	"Este equipo no tiene derecho a la rotección contra interferencia perjudicial y no puede causar interferencia en sistemas debidamente autorizados". "Incorpora producto homologado por ANATEL bajo el número 17035-20-03402".
	"Este equipo no tiene derecho a la protección contra interferencia perjudicial y no puede causar interferencia en sistemas debidamente autorizados". "Incorpora producto homologado por ANATEL bajo el número 02765-22-07968".
	"Este equipo no tiene derecho a la protección contra interferencia perjudicial y no puede causar interferencia en sistemas debidamente autorizados". "Incorpora producto homologado por ANATEL bajo el número 08590-22-07908".



Português

Guia de Instalação Rápida

WEMOB-STATION

Estação de Recarga para Veículos Elétricos (VE)

Modelo: 120 a 240 kW

1 INSTRUÇÕES DE SEGURANÇA

Todos os procedimentos de segurança descritos neste guia de instalação rápida e no manual de instalação e operação da estação de recarga para veículos elétricos WEMOB-STATION devem ser seguidos. Os procedimentos recomendados têm como objetivo proteger o usuário contra morte, ferimentos graves e danos materiais consideráveis.

1.1 INFORMAÇÕES GERAIS

Este guia de instalação rápida contém as informações básicas necessárias para instalação da estação de recarga para veículos elétricos WEMOB-STATION.

1.2 RECOMENDAÇÕES PRELIMINARES

PERIGO!

- Somente pessoas com qualificação adequada e familiaridade com a estação de recarga e equipamentos associados, devem planejar ou implementar a instalação, partida, operação e manutenção deste equipamento.
- Estas pessoas devem seguir todas as instruções de segurança contidas neste guia, no manual de instalação e operação e/ou definidas por normas locais.
- Não seguir as instruções de segurança pode resultar em risco de vida e/ou danos no equipamento.
- Uma estação de recarga danificada deve ser retirada de serviço e reparada. O reparo só deve ser realizado pelo fabricante ou representante deste. Não é permitida nenhuma alteração ou modificação na estação de recarga.
- Sempre desconecte a alimentação geral antes de tocar qualquer componente elétrico associado à estação de recarga para veículos elétricos.

ATENÇÃO!

- Tenha cuidado para não danificar as placas de circuitos ou os componentes da estação de recarga.
- Os cartões eletrônicos possuem componentes sensíveis a descarga eletrostática. Não tocar diretamente sobre os componentes ou conectores.

NOTA!

- Para os propósitos deste guia, pessoas qualificadas são aquelas treinadas de forma a estarem aptas para:
 - Instalar, aterrar, energizar e operar a estação de recarga para VE de acordo com este guia, o manual do usuário e os procedimentos legais de segurança vigentes.
 - Usar os equipamentos de proteção de acordo com as normas estabelecidas.
 - Prestar serviços de primeiros socorros.
- Se a estação de recarga não for utilizada por um longo período de tempo, recomenda-se mantê-la ligada para não ocorrer condensação no seu interior.

1.3 RECEBIMENTO E ARMAZENAMENTO

A estação de recarga WEMOB-STATION é fornecida embalada em gradeado de madeira, com revestimento interno em plástico. Na parte externa desta embalagem existe uma etiqueta que descreve as características principais do produto: modelo, item de estoque WEG, número de série, data de fabricação, etc.

Verifique se:

- A etiqueta de identificação corresponde ao modelo comprado.
- Ocorreram danos durante o transporte. Caso for detectado algum problema, contate imediatamente a transportadora.
- Se a estação de recarga WEMOB-STATION não for logo instalada, mantenha-a dentro da embalagem fechada e armazene em um lugar limpo e seco com temperatura entre -25 °C e +80 °C.

Após o recebimento:

- Remover o filme plástico para evitar a condensação da umidade.
- Não armazenar sob raios solares chuva, frio extremo, umidade excessiva ou maresia.
- Armazenar em local limpo e protegido e com a umidade do ar não superior a 80 %.
- Durante o tempo de armazenamento as condições citadas anteriormente devem ser atendidas, porém, quando os componentes forem armazenados por mais de um ano, devem ser tomadas medidas para desumidificar o local de armazenagem.
- Ao usar equipamentos após um longo período de armazenagem, verifique se o equipamento está livre de arranhões, sujeira, ferrugem e outros.

NOTA!

- O desempenho e confiabilidade da estação de recarga WEMOB-STATION pode ser prejudicado se a estação for armazenada em um ambiente fora das condições citadas anteriormente.

1.4 ABERTURA DA EMBALAGEM

Utilize ferramentas adequadas para desembalar a estação de recarga WEMOB-STATION, remova o filme plástico com auxílio das mãos ou estilete, tomando sempre o cuidado para não danificar a estação.

Durante a abertura da embalagem, verificar se há danos no produto. Não instalar a estação de recarga WEMOB-STATION em caso de qualquer suspeita de dano encontrado.

Retire qualquer partícula proveniente da embalagem (plástico, madeira, isopor, metal, pregos, parafusos, porcas, etc.) que possam ter permanecido na estação de recarga.

ATENÇÃO!

- Utilize equipamento de proteção individual (EPI).
- Se qualquer componente apresentar problemas (danos) recomenda-se:
 - Parar com a abertura da embalagem imediatamente.
 - Contatar a transportadora e registrar formalmente o problema encontrado.
 - Fotografar as peças e/ou componentes danificados.

2 VISÃO GERAL

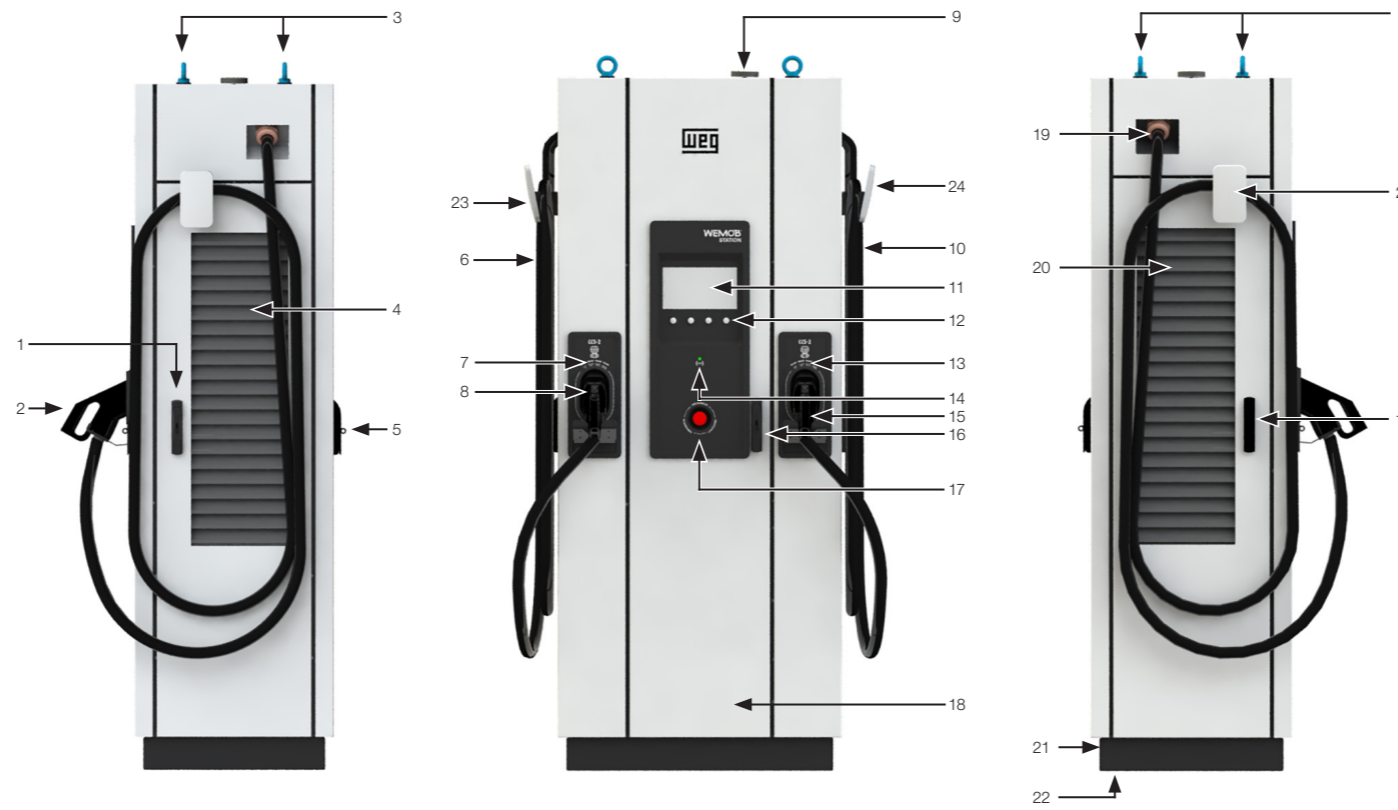


Figura 2.1: Visão geral da estação de recarga WEMOB-STATION (120-240 kW)

Tabela 2.1: Visão geral da estação de recarga WEMOB-STATION (120-240 kW)

1 – Fechadura lateral	9 – Antena Wi-Fi/Celular	17 – Botão de emergência
2 – Plugue de recarga 2	10 – Cabo de recarga 2	18 – Porta frontal
3 – Pontos de içamento	11 – Display 10,1"	19 – Saída cabo de recarga 1
4 – Entrada lateral de ar	12 – Botões de seleção	20 – Saída lateral de ar
5 – Fechadura traseira	13 – LEDs de sinalização conector 2	21 – Base metálica da estação
6 – Cabo de recarga 1	14 – Leitor/LED RFID	22 – Localização entrada de cabos de potência/Ethernet cabeada
7 – LEDs de sinalização conector 1	15 – Soquete para guardar o plugue de recarga 2	23 – Suporte cabo de recarga 1
8 – Soquete para guardar o plugue de recarga 1	16 – Fechadura Frontal	24 – Suporte cabo de recarga 2

3 INSTALAÇÃO

As orientações e sugestões devem ser seguidas visando o correto funcionamento e a segurança de pessoas e equipamentos. Os procedimentos são divididos em:

- Instalação mecânica.
- Instalação elétrica.

4 INSTALAÇÃO MECÂNICA

A estação de recarga WEMOB-STATION foi projetada para uso interno ou externo, para fixação em piso (solo). Nesse sentido, é necessário garantir alguns requisitos para proteção do dispositivo no lugar de instalação.

4.1 PROCEDIMENTO RECOMENDADOS NO MANUSEIO

Recomenda-se retirar totalmente a embalagem somente após posicionar a estação de recarga WEMOB-STATION no local definitivo de operação. Antes de içar ou mover a estação de recarga, leia as instruções abaixo para conhecer os pontos disponíveis para conexão mecânica dos equipamentos de içamento, transporte e pontos frágeis.

4.2 IÇAMENTO

Certifique-se de que o equipamento utilizado para realizar o içamento da estação de recarga WEMOB-STATION seja adequado à sua geometria e massa.

Observe o centro de gravidade e certifique-se de que os suportes de içamento sejam adequados e seguros, com múltiplos pontos de acoplamento. Os cabos ou correntes utilizadas no içamento devem fazer um ângulo maior que 45° com a horizontal. O içamento deve ser realizado de maneira lenta e estável. Certifique-se, previamente, da inexistência de obstáculos em todo o trajeto a ser percorrido durante esta etapa. Caso seja constatada qualquer alteração ou danos na estrutura do painel, abortar o içamento e reposicionar os cabos ou correntes, conforme apresentado na Figura 4.1.

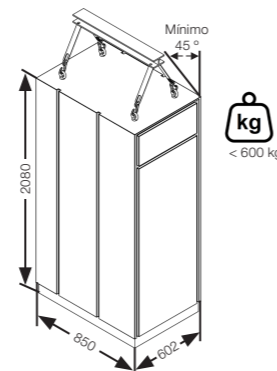


Figura 4.1: Geometria, massa e içamento recomendável para a WEMOB-STATION - mm

ATENÇÃO!

- Durante o içamento, acople as correntes ou cabos em todos os pontos de içamento disponíveis na WEMOB-STATION.
- Após posicionar a estação de recarga WEMOB-STATION no local definitivo de operação, os olhalis de içamento devem ser removidos e substituídos por parafusos M16 inox, arruelas lisas inox e anel O'ring, que acompanham o produto, para não comprometer a vedação e o grau de proteção.

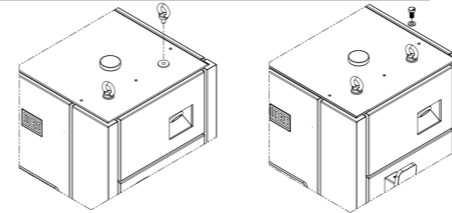


Figura 4.2: Detalhe de troca do olhal de içamento para parafuso, arruela e anel O'ring

4.3 MOVIMENTAÇÃO

Em caso da utilização de guindaste, grua ou talha, certifique-se de que os movimentos sejam lentos e suaves de forma que a WEMOB-STATION não sofra balanço ou vibrações excessivas.

Na utilização de carros hidráulicos, empilhadeiras, roletes ou outro equipamento de transporte, distribuir os pontos de sustentação mecânica destes equipamentos de uma extremidade à outra da WEMOB-STATION, evitando aplicar pressões sobre áreas frágeis. Caso a embalagem já tenha sido removida, certifique-se de que todas as portas da WEMOB-STATION estejam fechadas e travadas e que as maçanetas estejam em posição protegida.

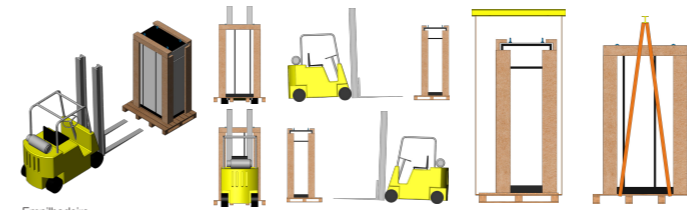


Figura 4.3: Procedimento para movimentação com empilhadeira ou talha

ATENÇÃO!

- Proibido o uso de corrente para içamento e movimentação por baixo da caixa.

4.4 CONDIÇÕES AMBIENTAIS

Os seguintes critérios devem ser considerados para seleção do local de instalação adequado:

- Para assegurar uma fixação segura, verifique a condição do piso (solo) antes de instalar.
- A superfície de montagem deve ser suficientemente estável e resistente para suportar a massa da estação de recarga.
- Não instalar a estação de recarga em superfícies inclinadas.
- Evitar fixação em superfície instável, móvel ou irregular.
- Embaixo de objetos ou móveis suspensos que possam cair e danificá-la.
- Determine a posição de estacionamento do veículo para se certificar de que o cabo de carregamento da estação alcance a tomada de carregamento.
- Não instale a estação de recarga próxima a vias de tráfego de pedestres e/ou veículos, em que os cabos de alimentação cruzem essas vias.
- Deve ser previsto um espaço mínimo de 1 metro (1 m) em torno de toda a estação, de forma a permitir a circulação dos usuários. Recomenda-se prever barreira física, para evitar colisão entre veículos e a estação de recarga.

Condições ambientais permitidas para funcionamento:

- Temperatura: -25 °C a 40 °C - condições nominais. De 41 °C a 50 °C - com derating.
- Umidade relativa do ar: 5 % a 95 % sem condensação.
- Instalar a estação em ambientes com circulação de ar.
- Altitude máxima: 2000 m acima do nível do mar - condições nominais. Para aplicações superiores, consultar a WEG.

Para garantir condições adequadas de operação e maior vida útil da estação, devem ser observados os requisitos a seguir:

- Evitar exposição direta a raios solares, chuva, neve, frio extremo, umidade excessiva ou maresia, tempestades elétricas ou outras condições climáticas adversas.
- Em locais com condições climáticas adversas é recomendável fornecer proteção adicional, instalar a estação no interior de um prédio ou instalar uma cobertura adicional de proteção.
- Não instalar a estação próxima a aparelhos que emitem calor.
- Não instalar a estação próxima a paredes ou outros equipamentos sem respeitar as distâncias mínimas de espaçamento.
- Não derramar água ou outros líquidos dentro do equipamento.
- Evitar exposição a gases, vapores, líquidos inflamáveis, explosivos ou corrosivos.
- Não expor a vibração excessiva.
- Não expor a estação de recarga a poeira, partículas metálicas ou óleos suspensos no ar.
- Evitar exposição a jatos fortes de água, como lavadora de alta pressão, mangueira de jardim, etc.

4.5 POSICIONAMENTO E FIXAÇÃO

A estação de recarga WEMOB-STATION deve ser posicionada em uma superfície de concreto lisa, elaborada com concreto com FCK no mínimo de 25 MPa e devidamente nivelada nos 2 (dois) eixos horizontais, com um desvio máximo de 1 mm/m, evitando, assim, instabilidade mecânica, desalinhamento de portas, entre outros problemas, direcionada de forma a evitar reflexo de lâmpadas e/ou luz solar no display.

Deve ser previsto um espaço mínimo de 1 metro (1 m) em torno de toda a estação, de forma a permitir uma boa circulação de ar e melhor dissipação do calor, além da circulação dos usuários. Recomenda-se prever barreira física, para evitar colisão entre veículos e a estação de recarga.

Para evitar o superaquecimento, as aberturas de ventilação não devem ser obstruídas.

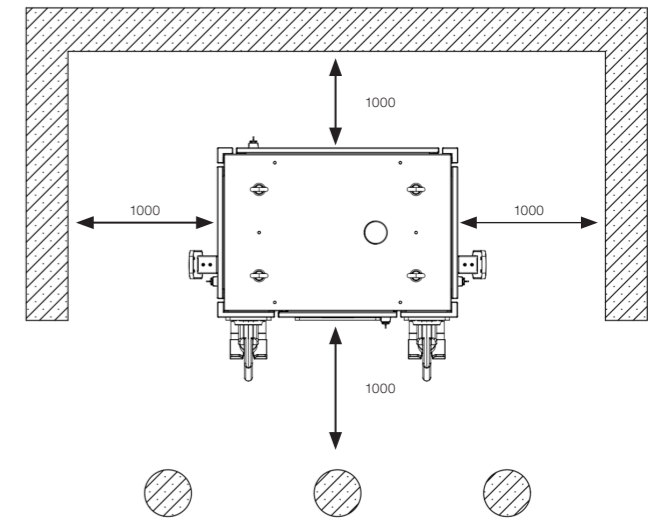


Figura 4.4: Distanciamento mínimo recomendado - mm

ATENÇÃO!

- A posição final de operação da WEMOB-STATION deve permitir a radiação de calor por todas as suas superfícies e permitir o fluxo de ventilação necessário para o seu funcionamento.

As áreas frontal, laterais e traseira da WEMOB-STATION não podem ser obstruídas, pois permitem o fluxo de ventilação necessário para radiação de calor por todas as suas superfícies, além de possibilitar a abertura total das portas, acesso aos componentes internos para manutenção ou instalação e/ou manipulação dos cabos de energia e controle.

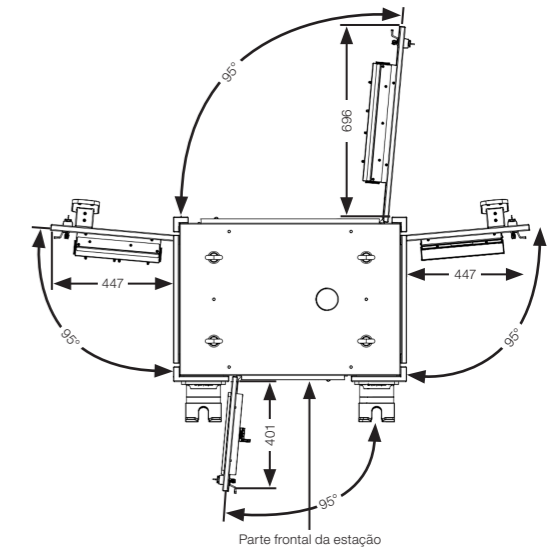


Figura 4.5: Área necessária para abertura completa das portas da estação - mm

Para a fixação da base deverão ser utilizados 4 chumbadores (3/8" x 3,3/4") que acompanham o produto.

Os pontos de fixação são mostrados na Figura 4.6, a área destacada corresponde a posição da entrada dos eletrodutos dos cabos de alimentação e rede Ethernet cabeada.

Deverá ser previsto ao menos uma eletrocilha ou eletroduto (mínimo de 4") na parte inferior da estação para a entrada de cabos de alimentação. Caso a conexão da WEMOB-STATION a rede internet seja de forma cabeada usando a conexão RJ45, deverá ser providenciado eletroduto (mínimo 3/4") independente da alimentação geral, para evitar interferências eletromagnéticas.

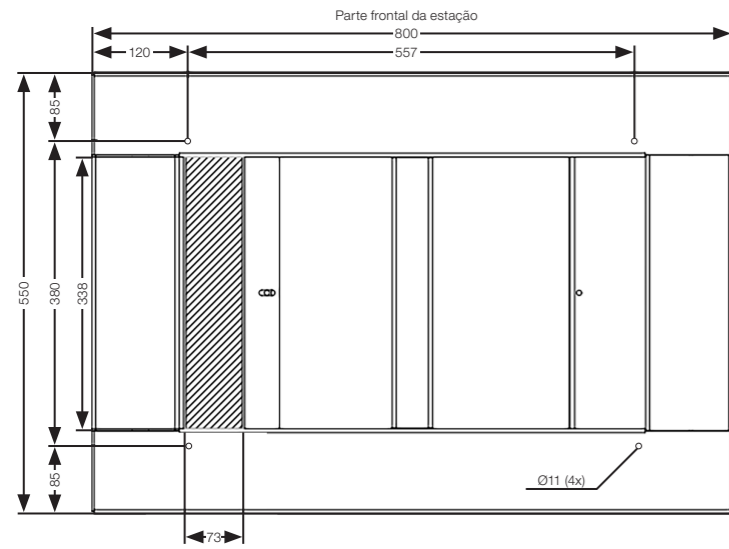


Figura 4.6: Dimensões para fixação e passagem dos eletrodutos da WEMOB-STATION - mm

A estação de recarga WEMOB-STATION deve ser cuidadosamente baixada, utilizando equipamento de içamento ou empilhadeira. Certifique-se do alinhamento entre os furos da base da estação e os pontos de fixação da base de concreto. Se os cabos de alimentação ou rede ethernet já estiverem passados pelos eletrodutos, cuidado para não danificá-los durante a fixação da estação.

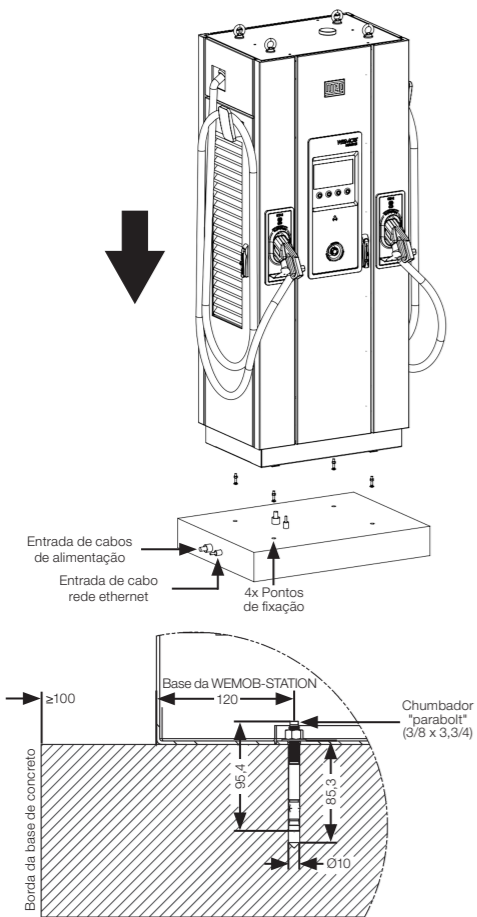


Figura 4.7: Detalhes dos pontos de fixação - mm

4.6 ABERTURA E FECHAMENTO DAS PORTAS

A abertura e fechamento das portas frontal, laterais e traseira, são feitas através das maçanetas escamoteáveis, do tipo "levantar e girar".

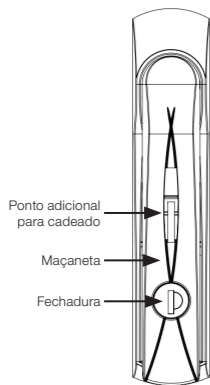


Figura 4.8: Fechadura localizada nas portas frontal/laterais/traseira

Para abrir a porta siga as instruções abaixo:

1. Insira a chave no miolo da fechadura, gire para destravar, caso esteja usando um cadeado para proteção adicional, retire o cadeado.
2. Puxe a alavanca para cima.
3. Gire a alavanca no sentido horário.
4. Abra a porta.

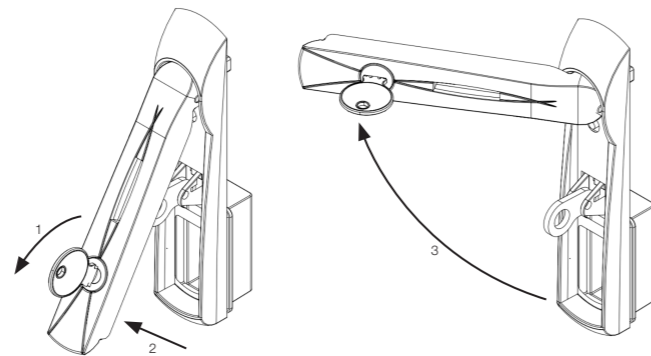


Figura 4.9: Instruções para abertura das portas frontal/laterais/traseira

Para fechar, basta seguir a ordem reversa.



NOTA!

- Todas as portas possuem chaves de intertravamento de segurança ligadas em série com o botão de parada de emergência, em caso de abertura das portas a saída de potência é desenergizada de maneira segura.
- Cada fechadura possui um segredo de chave.

5 INSTALAÇÃO ELÉTRICA

As informações a seguir têm a intenção de servir como guia para se obter uma instalação correta. Seguir também as normas de instalações elétricas aplicáveis a sua localidade.



PERIGO!

- A estação WEMOB-STATION demanda alta corrente e conseqüentemente potência elevada para seu funcionamento. Certifique-se que os requisitos de demanda sejam atendidos pela concessionária da energia elétrica.
- As proteções e instalações devem seguir as normas nacionais, estaduais e locais de instalações elétricas.
- Certifique-se que a rede de alimentação esteja desconectada antes de iniciar as ligações.
- A tensão da rede de alimentação deve ser compatível com a faixa de tensão da WEMOB-STATION.
- A estação de recarga deve ser obrigatoriamente ligada a um terra de proteção (PE). A resistência de aterramento deve ser menor que 100 Ω ou inferior ao valor máximo definido nas normas de instalação elétrica aplicáveis.



ATENÇÃO!

- Quando forem utilizados cabos flexíveis para as conexões de alimentação e aterramento, é necessário utilizar terminais adequados nas pontas dos cabos.
- Todas as conexões elétricas devem ser firmemente apertadas de forma a não haver risco de faiscamento, aquecimento excessivo ou queda de tensão nos circuitos.
- Recomenda-se a utilização de condutores de cobre.
- Assegure-se que durante a instalação e utilização, a estação de recarga esteja constantemente e adequadamente ligada ao terra de proteção (PE).
- Não compartilhar a fiação de aterramento com outros equipamentos que operem com altas correntes (como por exemplo: máquinas de solda, motores de alta potência, entre outros).

5.1 CONEXÃO DA REDE DE ALIMENTAÇÃO



ATENÇÃO!

- Verifique na etiqueta de identificação do produto qual a faixa da tensão de operação da estação.
- Realizar a conexão do primário do transformador de alimentação T1 conforme a tensão da rede de alimentação.
- A estação de recarga WEMOB-STATION possui internamente um disjuntor em caixa moldada que garante a proteção de sobrecarga e curto-circuito, denominado "Q1".

A conexão da estação WEMOB-STATION à rede elétrica é feita diretamente nos terminais do disjuntor Q1 (Fases R-S-T) e na barra Terra (PE) (aterramento da estrutura).

Recomenda-se utilizar condutores de cobre com bitolas mínimas de:

Modelo (Potência da Estação)	Corrente Máxima de Entrada				Condutor Mínimo Fases (R-S-T)	Condutor Mínimo Terra (PE)
	380 V	440 V	460 V	480 V		
240 kW	400 A	346 A	331 A	317 A	2 x 150 mm ² (por fase)	150 mm ²
180 kW	301 A	260 A	249 A	238 A	185 mm ²	95 mm ²
160 kW	268 A	232 A	222 A	212 A	185 mm ²	95 mm ²
120 kW	202 A	175 A	167 A	160 A	95 mm ²	50 mm ²



NOTA!

- As bitolas dos condutores especificadas consideram a tensão de alimentação de 380 V.
- Condutores mínimos informados considerando-se isolamento em PVC 70 °C em cobre, tipo de instalação livre (não aglomerado), método de referência F e temperatura ambiente do condutor de até 45 °C.

A bitola adequada dos condutores do cabo de alimentação depende da potência e da distância da caixa de distribuição ou quadro de disjuntores até a estação de recarga. Podem ser usados cabos únicos ou múltiplos cabos para atender a potência necessária. Observe possíveis fatores de correção da capacidade de corrente dos cabos em razão da forma de instalação, temperatura, distância e queda de tensão. Sob certas circunstâncias, isso pode levar ao aumento da seção transversal do cabo.

As conexões nos terminais do disjuntor "Q1" devem ser feitas utilizando terminal olhal, pré-isolado ou de compressão, respeitando o limite recomendado na Figura 5.1.

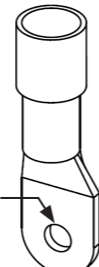
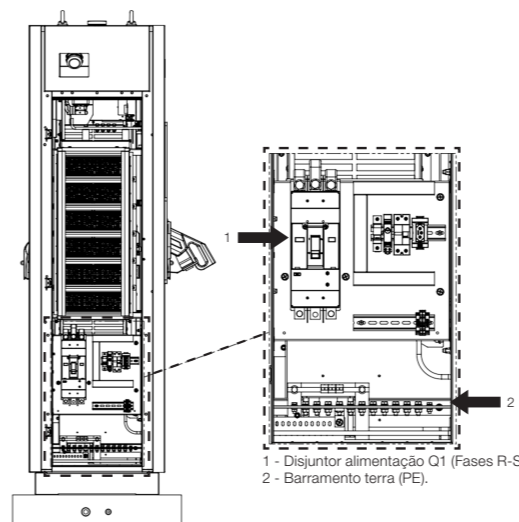


Figura 5.1: Especificação do terminal olhal - mm

Atentar ao tamanho do terminal olhal, comparando o dimensional deste com a abertura entre os separadores de fases ou cobre-bornes. O torque recomendado de aperto dos parafusos dos terminais olhais de Ø12 é de 75 Nm.



1 - Disjuntor alimentação Q1 (Fases R-S-T).
2 - Barramento terra (PE).

Figura 5.2: Conexões dos cabos de alimentação - Fases (R-S-T) e aterramento (PE)

5.2 SELEÇÃO DA TENSÃO NOMINAL DE ALIMENTAÇÃO

Os circuitos auxiliares e de comando são alimentados a partir de um transformador interno. É preciso selecionar qual a tensão nominal da rede de alimentação, 380, 440, 460 ou 480 VCA, no conjunto de bornes TAG: XT.

Para fazer este ajuste, siga as instruções abaixo:

1. Abra a porta traseira da estação.
2. Localize o conjunto de bornes XT na parte inferior da estação (Figura 5.3)
3. Usando uma chave de fenda 4 mm, retire o cabo do borne XT:F e o reposicione no borne XT:380, 440, 460 ou 480 V, de acordo com a tensão de alimentação desejada.

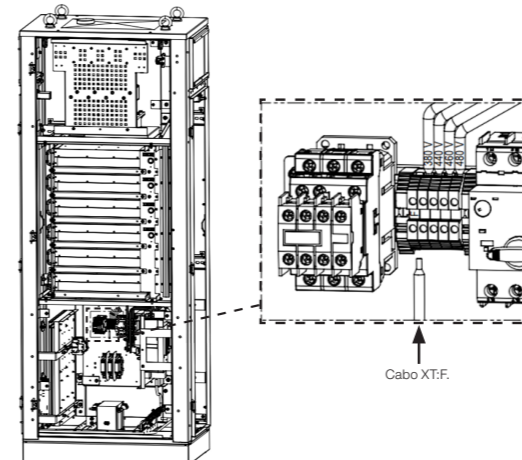


Figura 5.3: Ajuste da tensão da rede de alimentação

5.3 DISPOSITIVO DE PROTEÇÃO



ATENÇÃO!

- A estação de recarga WEMOB-STATION deve ser conectada a um disjuntor de proteção trifásico e a um interruptor diferencial residual (RCD ou DR) de sensibilidade de 30 mA (CA) tipo A, exclusivo para o circuito de alimentação da estação de recarga.

Determine a corrente nominal de trabalho do disjuntor a montante da estação de recarga WEMOB-STATION de acordo com os dados fornecidos pelo fabricante, a corrente máxima de entrada da estação, os níveis de curto circuito da instalação e da estação, a bitola e o comprimento dos cabos de alimentação.

Também leve em consideração o fator de redução da corrente nominal do disjuntor em função da temperatura ambiente em que o disjuntor está instalado (no painel de distribuição ou quadro de disjuntores), além da seletividade das proteções.

5.4 PREPARAÇÃO PARA ENERGIZAÇÃO

Antes de energizar a WEMOB-STATION, verifique se:

- Todas as conexões de potência, aterramento e de controle estão corretas e firmes.
- A resistência entre o terra (PE) da estação e o terra (PE) do quadro de baixa tensão está de acordo com as normas locais.
- Foram retirados do interior da WEMOB-STATION todas ferramentas, sobras de materiais utilizados na instalação ou objetos estranhos que não fazem parte do produto.
- Com o auxílio de um voltímetro (CA) confira os valores das tensões de linha. As tensões entre os terminais R, S e T do disjuntor Q1 devem estar dentro da faixa permitida de operação da estação (conforme indicado na etiqueta do produto).

6 OPERAÇÃO



PERIGO!

- Antes de operar a estação de recarga, faça uma inspeção visual em busca de danos. Uma estação de recarga danificada deve ser retirada de serviço e reparada.
- Não permita que a estação de recarga seja operada por crianças ou por pessoas com capacidade mentais ou sensoriais reduzidas.

Após a finalização da instalação mecânica e elétrica, a estação de recarga WEMOB-STATION está apta a entrar em funcionamento. Abra a porta lateral esquerda e arme o disjuntor "Q1". Após armado o disjuntor "Q1", feche a porta pois as chaves de intertravamento de segurança estão em série com o botão de emergência.



NOTA!

- Todas as portas possuem chaves de intertravamento de segurança ligadas em série com o botão de parada de emergência, em caso de abertura das portas a saída de potência é desenergizada de maneira segura.
- Verifique se o botão de parada de emergência não está atuado.
- O botão de parada de emergência não deve ser usado como alternativa para finalizar uma sessão de recarga ou para interromper a recarga de outro usuário.

Ao energizar a estação de recarga, no display é exibido um vídeo de abertura, os LEDs de status do conector sinalizarão na cor VERDE contínuo, indicando que estação está disponível para iniciar uma recarga.

A estação de recarga WEMOB-STATION integra um display colorido de 10,1" que proporciona uma interface amigável com o usuário, com instruções e informações detalhadas para iniciar e parar uma recarga, incluindo informações sobre a recarga em andamento, tempo de recarga, nível da recarga da bateria, etc., apresentadas na tela do display, permitindo operar de maneira fácil e intuitiva a estação de recarga.

6.1 LEDs DE SINALIZAÇÃO

Sobre o soquete para guardar o plugue de recarga há um conjunto de LEDs de sinalização, que fornecem informações visuais sobre o status operacional dos conectores. É composto por quatro (04) LEDs, que podem acender ou piscar juntos ou individualmente, em várias cores. Além disso, sinais sonoros podem ser emitidos para informar seu status.

- 1 - Vermelho Falha
- 2 - Verde Disponível
- 3 - Amarelo Em Espera
- 4 - Azul Recarga

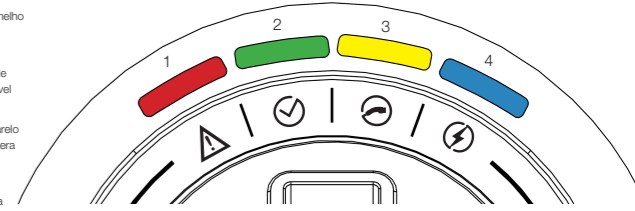


Figura 6.1: LEDs de sinalização

Tabela 6.1: Sinalização de status

Cor do LED	Status	Descrição
Todos os LEDs acesos intermitente	INICIALIZANDO	Estação de recarga em autoteste
Todos os LEDs apagados	DESLIGADA	Estação de recarga sem alimentação
Verde contínuo	DISPONÍVEL	Estação pronta para utilização
Verde intermitente	AUTORIZADO	Usuário autorizado para recarga (somente se a estação exigir autenticação)
Amarelo contínuo	EM ESPERA	Veículo elétrico conectado e em processo de reconhecimento
Amarelo intermitente		Recarga finalizada (completa ou não)
Azul contínuo	RECARGA	Recarga em andamento
Vermelho intermitente	FALHA	Estação em estado de falha ou erro



PERIGO!

- Não force a desconexão do veículo puxando o cabo de recarga. Interrompa previamente a recarga através do seu veículo e somente após a liberação, retire o plugue.
- Alguns veículos elétricos permitem a partida do motor com o cabo de recarga conectado. Certifique-se de desconectar o cabo antes de mover o veículo.

7 DIMENSÕES

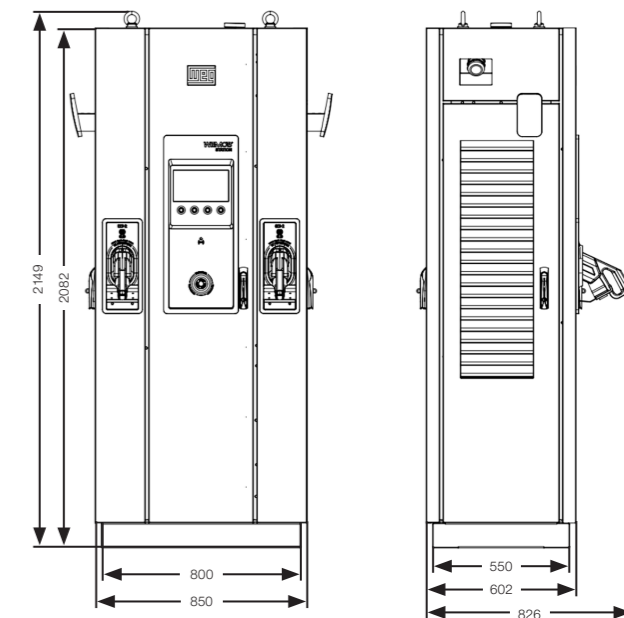


Figura 7.1: Dimensões da estação de recarga WEMOB-STATION - mm



NOTA!

- WEMOB® é marca registrada da WEG S/A.

Escaneie o QR Code abaixo para mais informações:



Manual do Usuário



"Este equipamento não tem direito à proteção contra interferência prejudicial e não pode causar interferência devidamente autorizados".

"Incorpora produto homologado pela ANATEL sob o número 17035-20-03402".



"Este equipamento não tem direito à proteção contra interferência prejudicial e não pode causar interferência devidamente autorizados".

"Incorpora produto homologado pela ANATEL sob o número 02765-22-07968".



"Este equipamento não tem direito à proteção contra interferência prejudicial e não pode causar interferência devidamente autorizados".

"Incorpora produto homologado pela ANATEL sob o número 08590-22-07908".