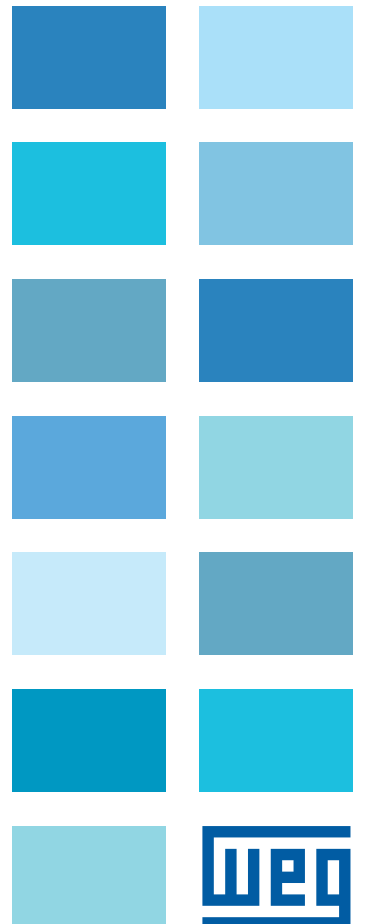
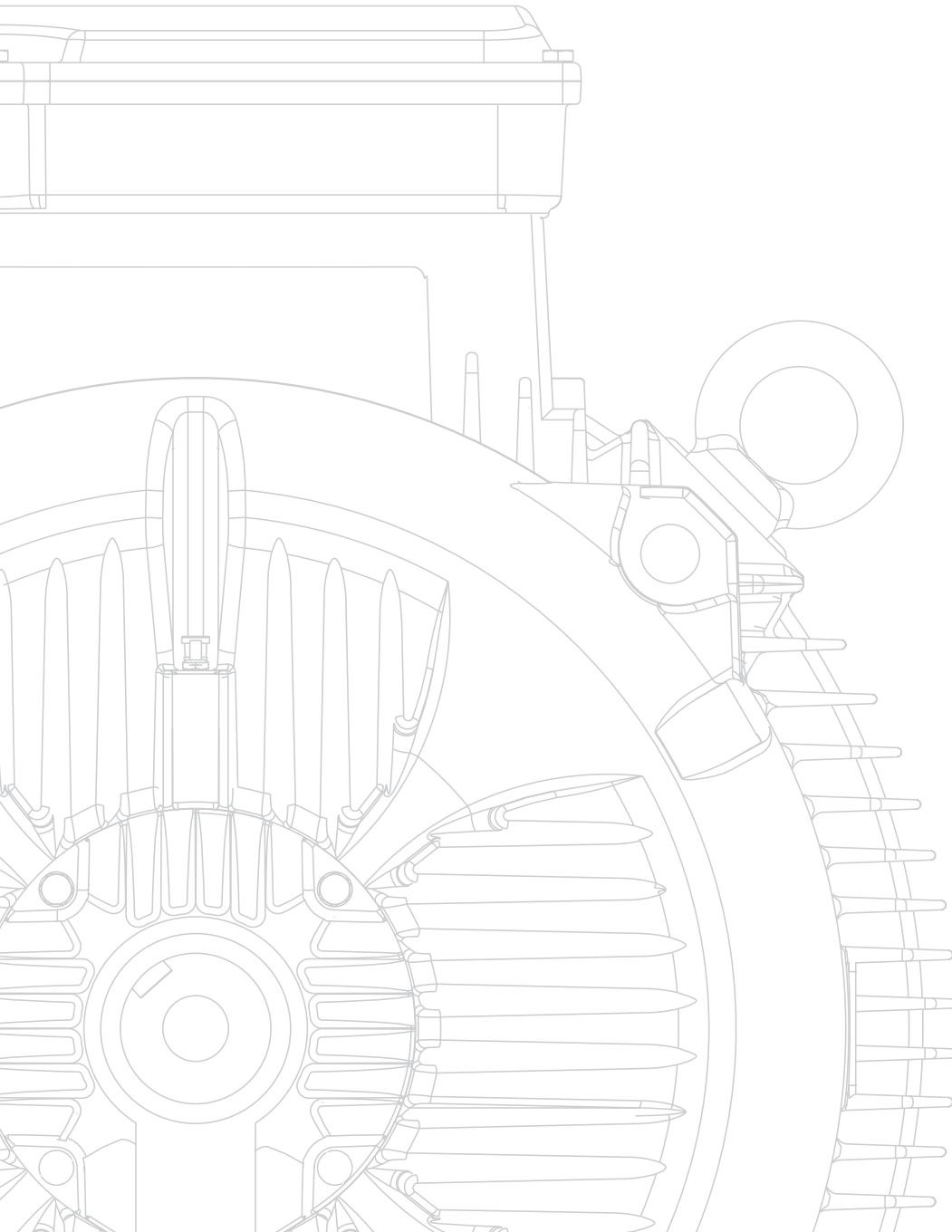


Disposal and Environmental Information

WEG Electronically Commutated Motors



INTRODUCTION

This document presents disposal and environment information about three-phase and single-phase Electronically Commutated Motors, ranging from frame size IEC 56 to 132 and NEMA 42 to 182/4, manufactured by Changzhou Yatong Jiewei Electromotor CO., LTD, WEG (Jiangsu) Electric Equipment CO., LTD. and WEG Commercial Motors (Bluffton Motor Works). It is intended for users, recyclers and treatment facilities, presenting relevant information for the proper disposal and recycling of electric motor.

Electric motor is generally a product with a long service life. Concerning product disposal, WEG recommends to separate product parts and packaging materials, and to send them for recycling whenever possible. National environmental regulations may vary in each country in EU, please contact local WEG for further and up-to-date information about disposal and recycling of our products.

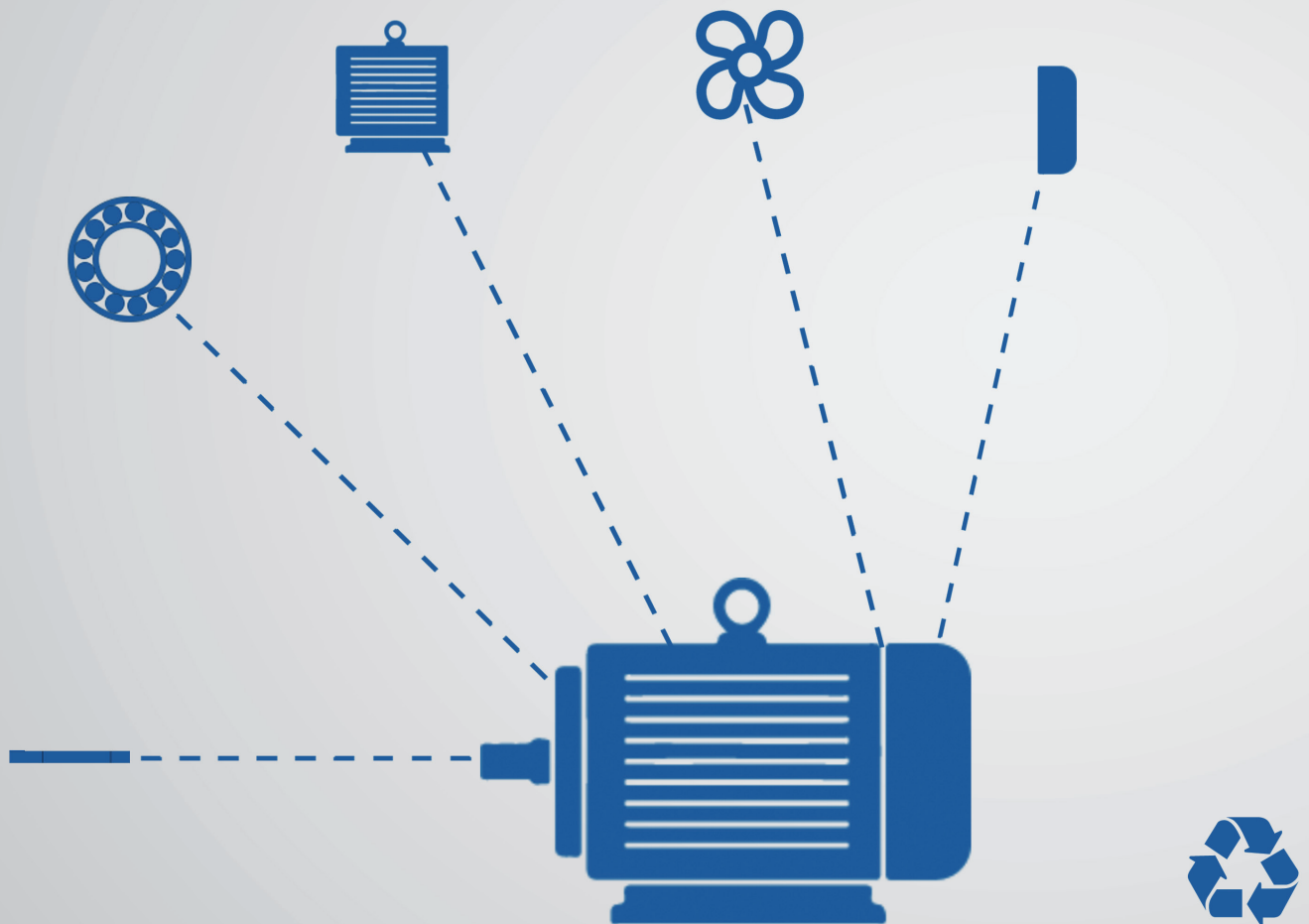


TABLE OF CONTENTS

1. PRODUCT DISPOSAL INFORMATION	4
2. ELECTRIC MOTORS	4
3. PACKAGING	5
4. REFERENCE LIST	5



1. PRODUCT DISPOSAL INFORMATION

All WEG motors present corresponding date of manufacture in their nameplates. In accordance with Directive 2012/19/EU, on Waste Electrical and Electronic Equipment (WEEE), WEG electric motors are marked with the wheelie bin symbol.



Figure 1 – Wheelie bin symbol

It indicates that electrical and electronic equipment (EEE), once reaching their end of life, must not be disposed as unsorted municipal waste, but collected separately. WEEE must be disposed of at appropriate collection points, not in the normal waste stream.

The European Directive 2012/19/EU, commonly known as WEEE aims to protect the environment and human health by harmful impacts of waste from electrical and electronic equipment.

WEEE covers all EEE used by consumers and EEE intended for professional use. Inclusion or exclusion of electric motors into WEEE scope depends on their application, though. Some of WEEE exceptions and exclusions are: EEE used in large-scale fixed installations, EEE used into large-scale stationary industrial tools, EEE designed and sold as a component to be integrated into another type of EEE, or installed as part of an equipment that does not fall within the scope of the Directive.

2. ELECTRONICALLY COMMUTATED MOTORS

Electronically Commutated Motors, under constructive aspect, are mainly manufactured with ferrous metals (steel, magnets), non-ferrous metals (copper, aluminum), printed circuit board, and polymeric components.

Once reaching product's end of life, proper treatment must be adopted, in accordance with international and local regulations. Treatment facilities must be licensed and must comply with environmental requirements of the Member States they are located in.

Capacitors, plastic parts containing brominated flame retardants and components containing refractory ceramic fibres need selective treatment, in accordance with EU Waste legislation.

Figures 2 (see page 6-7) present the main components of a three-phase and a single-phase electric motor, respectively. Table 1 (see page 5) describes these products materials.

Table 1 –Components of WEG Electronically Commutated Motor

Position	Component	Material
1	Endshields	Aluminium
2	Bearings	Steel
3	Bearing ring	Steel
4	Sealings	Rubber
5	Input cables	Copper, rubber and plastic
6	Inverter set	Various (electronic components)
7	Screws	Steel
8	IPM lock bar	Aluminum
9	Rotor core	Steel, ferrite and plastic
10	Shaft	Steel
11	Foot / Pads	Aluminum
12	Stator core	Steel
13	Shaft key	Steel
14	Washers	Steel
15	Lid / Cover	Plastic
16	Frame	Aluminum
17	Winding	Copper / Aluminium and plastic
	Slot insulation	Plastic

3. ELECTRONICALLY COMMUTATED MOTORS

Electronically Commutated Motors packages are made of carton, plastic, steel or wood. These materials are recyclable and WEG recommends recycling them in accordance with national regulations of each EU Member State.

4. REFERENCE LIST

1. Directive 2012/19/EU of the European Parliament and of the Council of 4 July 2012 on waste electrical and electronic equipment (WEEE).
2. European Parliament and Council Directive 94/62/EC of 20 December 1994 on packaging and packaging waste.

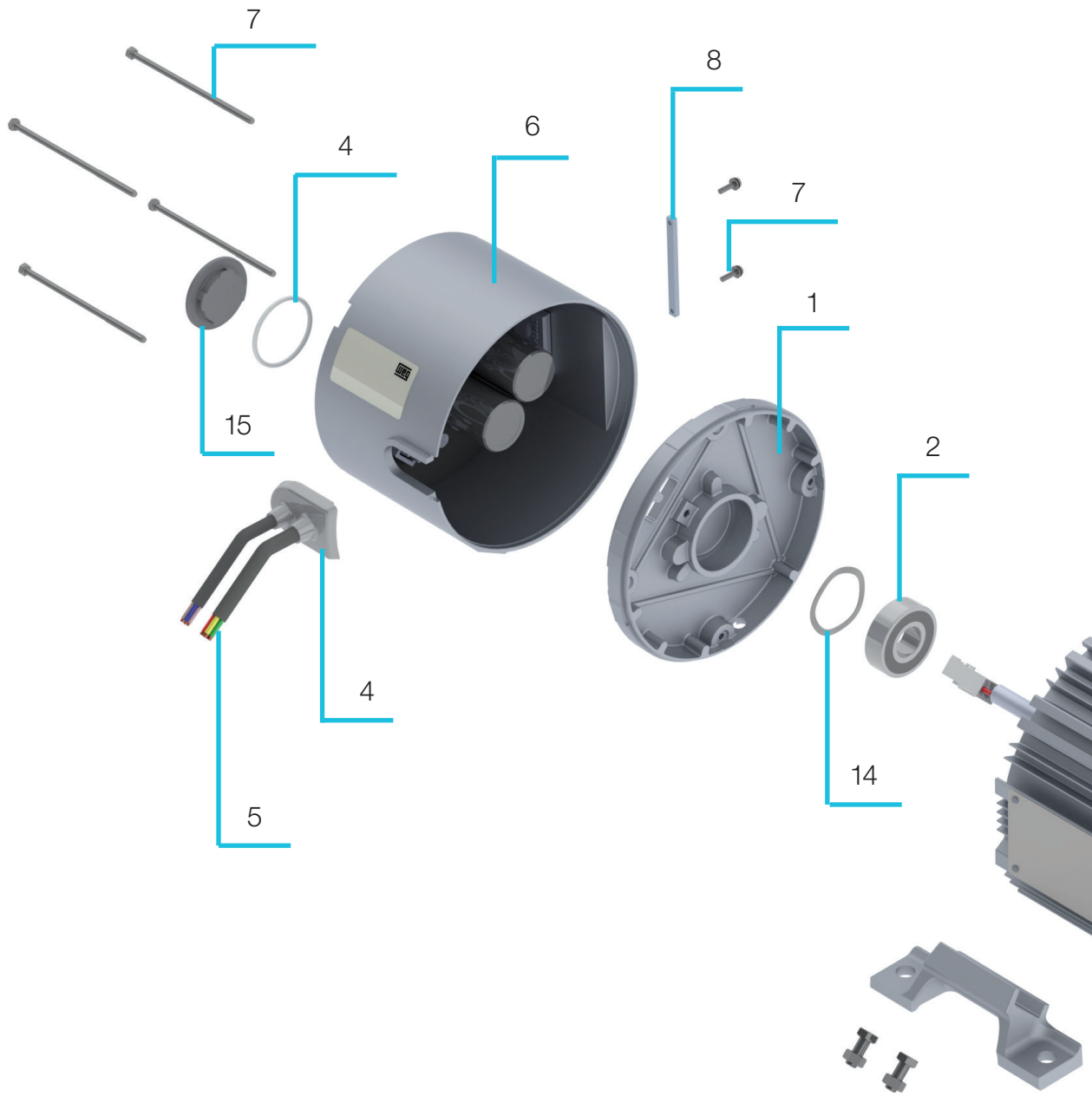
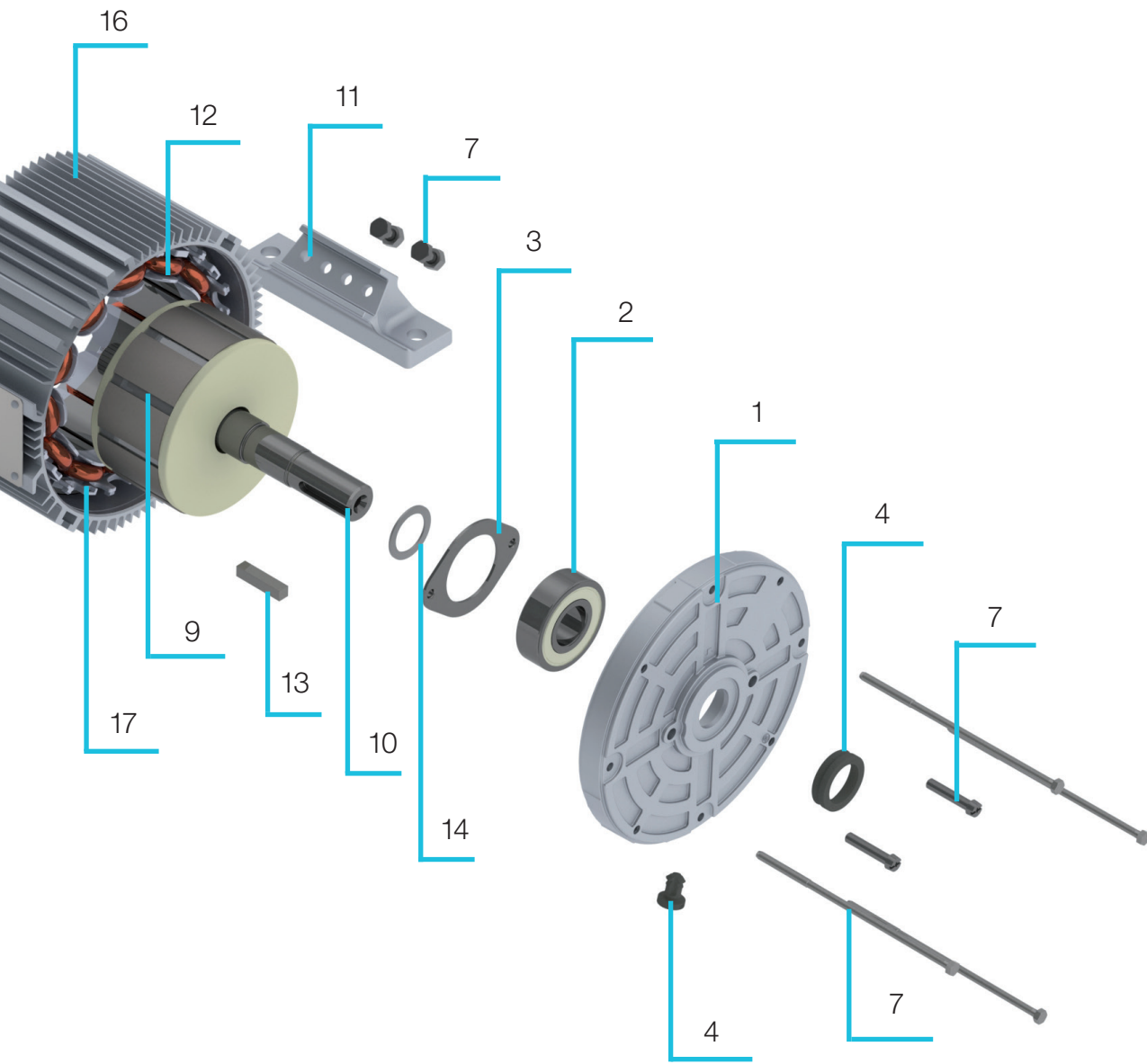


Figure 2 – Exploded view of WEG Electronically Commutated Motor



WEG Worldwide Operations

ARGENTINA

San Francisco - Cordoba
Phone: +54 3564 421484
info-ar@weg.net

Cordoba - Cordoba
Phone: +54 3514 641366
weg-morbe@weg.com.ar

Buenos Aires
Phone: +54 1142 998000
ventas@pulverlux.com.ar

AUSTRALIA

Scoresby - Victoria
Phone: +61 3 97654600
info-au@weg.net

AUSTRIA *

Markt Piesting - Wiener
Neustadt-Land
Phone: +43 2 633 4040
watt@wattdrive.com

Vienna
Phone: +43 1 796 2048
wtr@weg.net

BELGIUM *

Nivelles - Belgium
Phone: +32 67 888420
info-be@weg.net

BRAZIL

Jaraguá do Sul - Santa Catarina
Phone: +55 47 32764000
info-br@weg.net

CHILE

La Reina - Santiago
Phone: +56 2 27848900
info-cl@weg.net

CHINA

Nantong - Jiangsu
Phone: +86 513 85989333
info-cn@weg.net

Changzhou - Jiangsu
Phone: +86 519 88067692
info-cn@weg.net

Rugao - Jiangsu
Phone: +86 513 80672011
zhuhua@weg.net

COLOMBIA

San Cayetano - Bogota
Phone: +57 1 4160166
info-co@weg.net

Sabaneta - Antioquia
Phone: +57 4 4449277
info-co@weg.net

ECUADOR

El Batan - Quito
Phone: +593 2 5144339
wegecuador@weg.net

FRANCE *

Saint-Quentin-Fallavier - Isère
Phone: +33 4 74991135
info-fr@weg.net

GERMANY *

Türnich - Kerpen
Phone: +49 2237 92910
info-de@weg.net

Balingen - Baden-Württemberg
Phone: +49 7433 90410
info@weg-antriebe.de

Homberg (Efze) - Hesse
Phone: +49 5681 99520
info@akh-antriebstechnik.de

GHANA

Accra
Phone: +233 30 2766490
ghana@zestweg.com

INDIA

Bangalore - Karnataka
Phone: +91 080 46437450
info-in@weg.net

Hosur - Tamil Nadu
Phone: +91 4344 301577
info-in@weg.net

ITALY *

Cinisello Balsamo - Milano
Phone: +39 2 61293535
info-it@weg.net

JAPAN

Yokohama - Kanagawa
Phone: +81 45 5503030
info-jp@weg.net

MALAYSIA

Shah Alam - Selangor
Phone: +60 3 78591626
info@wattdrive.com.my

MEXICO

Huehuetoca - Mexico
Phone: +52 55 53214275
info-mx@weg.net

Tizayuca - Hidalgo
Phone: +52 77 97963790
info-mx@weg.net

NETHERLANDS *

Oldenzaal - Overijssel
Phone: +31 541 571080
info-nl@weg.net

PERU

La Victoria - Lima
Phone: +51 1 2097600
info-pe@weg.net

PORTUGAL *

Maia - Porto
Phone: +351 22 9477700
info-pt@weg.net

RUSSIA and CIS *

Saint Petersburg
Phone: +7 812 363 2172
sales-wes@weg.net

SOUTH AFRICA

Johannesburg
Phone: +27 (0) 11 7236000
info@zestweg.com

Cape Town
Phone: +27 (0) 21 507 7200
gentsets@zestweg.com

Heidelberg
Phone: +27 (0) 16 349 2683/4/5
wta@zestweg.com

SPAIN *

Coslada - Madrid
Phone: +34 91 6553008
info-es@weg.net

Valencia
Phone: +34 96 1379296
info@atruial.es

SINGAPORE

Singapore
Phone: +65 68589081
info-sg@weg.net

Singapore
Phone: +65 68622220
info-sg@weg.net

SCANDINAVIA *

Mölnlycke - Sweden
Phone: +46 31 888000
info-se@weg.net

UK *

Redditch - Worcestershire
Phone: +44 1527 513800
info-uk@weg.net

UNITED ARAB EMIRATES

Jebel Ali - Dubai
Phone: +971 4 8130800
info-ae@weg.net

USA

Duluth - Georgia
Phone: +1 678 2492000
info-us@weg.net

Bluffton - Indiana
Phone: +1 800 5798527
info-us@weg.net

Minneapolis - Minnesota
Phone: +1 612 3788000
info-us@weg.net

Washington - Missouri
Phone: +1 636-239-9300
wegwill@weg.net

VENEZUELA

Valencia - Carabobo
Phone: +58 241 8210582
info-ve@weg.net

For those countries where there is not a WEG own operation, find our local distributor at www.weg.net.

* European Union Importers



YATONG MOTOR - WEG Group
#118, West Dongdu Road, Luoyang Town,
Changzhou - Jiang Su - China
Phone: +86 519 88067707
wcz-sales@weg.net
www.weg.net

