

Hazardous Areas Motors

Ex d | Ex de | Ex nA

Low, Medium and High Voltage

- BFG range
- BFGC range
- W22XB / BFG8 range
- W22XC / BFGC8 range
- W22XM / BFGM8 range
- BFN range

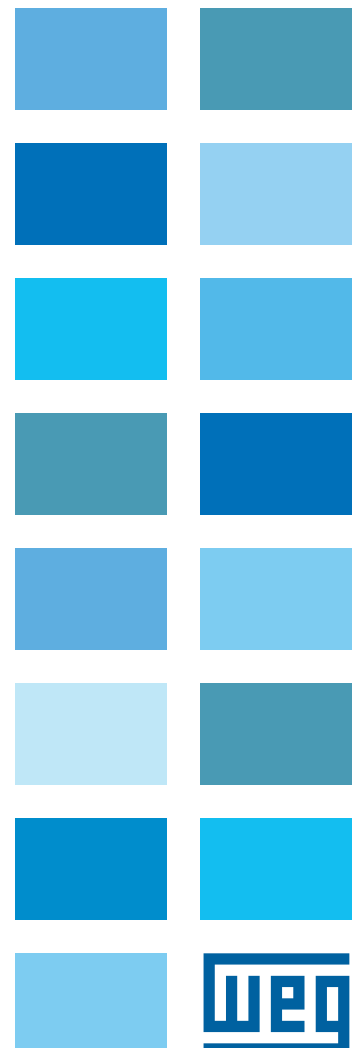
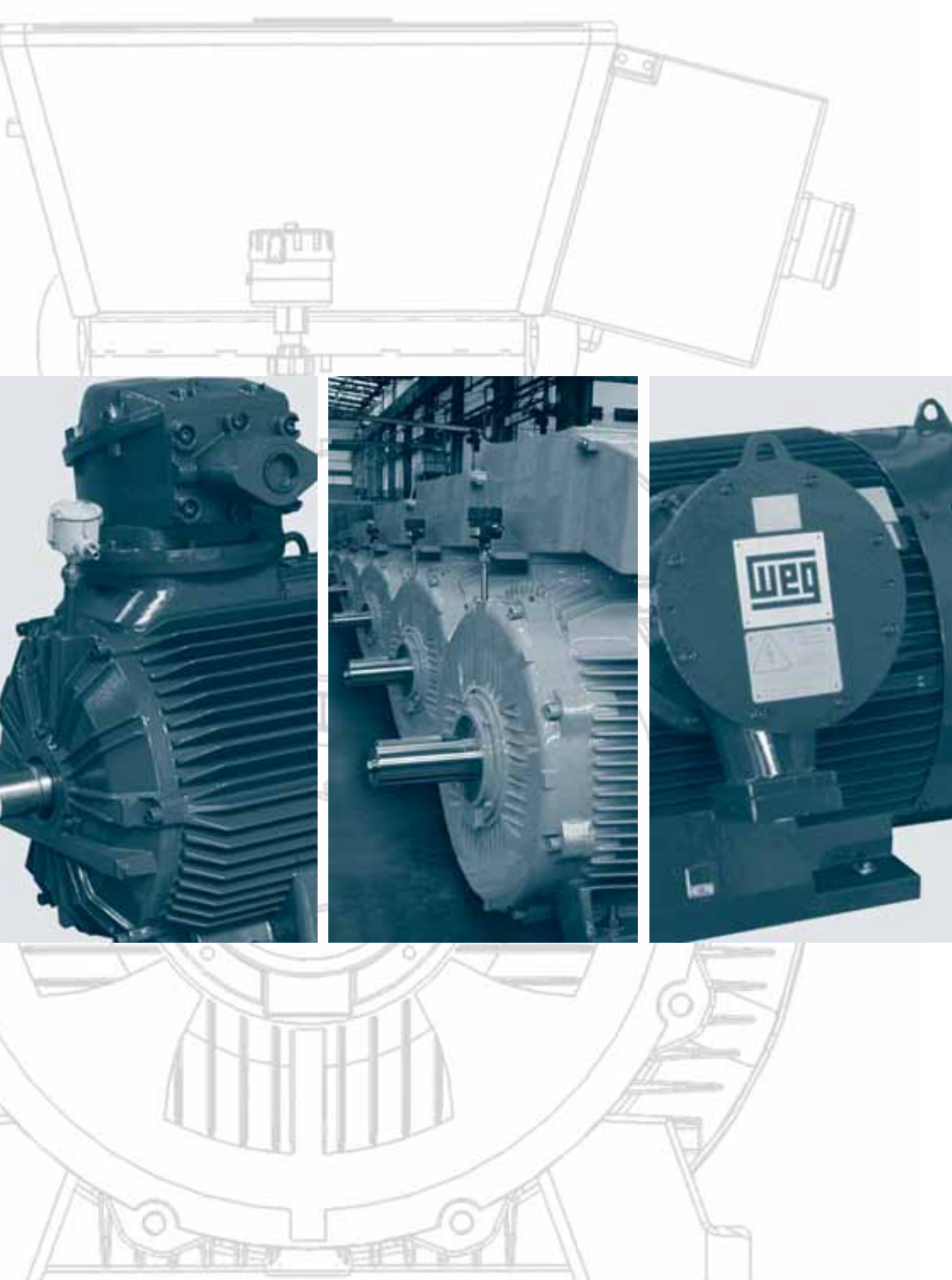


TABLE OF CONTENTS

1 GENERAL TECHNICAL INFORMATION	
1.1 - Explosive Atmospheres	3
1.2 - Standards and Classification of Explosive Atmospheres	3
1.2.1 - ATEX Directives	3
1.2.2 - IECEx Scheme	3
1.2.3 - EN / IEC Standards	4
1.2.3.1 - Zone Classifications	4
1.2.3.2 - Classification of Areas Gas and Vapours	4
1.2.3.3 - Classification of Areas Combustible Dusts	5
1.2.3.4 - Classification of Groups	6
1.2.3.5 - Classes of Temperature	7
1.3 - Protection Categories for Electrical Motors	7
1.3.1 - Type Ex d - Flameproof	7
1.3.2 - Type Ex de - Flameproof Motors with increased safety terminal box	7
1.3.3 - Type Ex nA - Non Sparking Motors	8
1.4 - General Construction Standards	8
2 GENERAL PRODUCT INFORMATION	
2.1 - WEG Ranges of Hazardous Areas Motors	9
2.2 - Markings and Rating / Certification Nameplates	10
2.2.1 - Markings of Equipment	10
2.2.2 - Certificates of Equipment	11
2.2.3 - Certification Bodies	11
2.2.4 - Rating / Certification Nameplates	11
2.3 - Scope of Certifications	13
2.4 - Certifications Standards and Ex Notified Bodies per Range	14
2.5 - Terminal Boxes Technical Information	15
2.5.1 - Main Supply Terminal Boxes	15
2.5.2 - Auxiliary Terminal Boxes	25
2.6 - Bearings Information	28
2.6.1 - Bearings Arrangement and permissible loads on shafts	28
2.6.2 - Bearings Lubrication Intervals	29
3 LOW VOLTAGE MOTORS	
3.1 - Low Voltage Flameproof Motors - BFG6 / BFGC3 / BFGC4 / BFGC8 (71-225)	31
3.1.1 - Product Specification - All BFG(C)	31
3.1.2 - Electrical Data Flameproof Motors IIB - BFG6	33
3.1.3 - Electrical Data Flameproof Motors IIC - BFGC3 / BFGC4 / BFGC8 (71-225)	34
3.1.4 - Outline Dimensions Flameproof Motors IIB - BFG6	36
3.1.5 - Outline Dimensions Flameproof Motors IIC - BFGC3 / BFGC4 / BFGC8 (71-225)	37

3.2 - Low Voltage Flameproof Motors - BFG(C)8 / W22XB(C) / BFGM8 / W22XM	40
3.2.1 - Product Specification	40
3.2.2 - Electrical Data Flameproof Motors IIB - BFG8 / W22XB / BFGM8 / W22XM	42
3.2.3 - Electrical Data Flameproof Motors IIC - BFGC8 / W22XC / BFGM8 / W22XM	43
3.2.4 - Outline Dimensions Flameproof Motors IIB - BFG8 / W22XB / BFGM8 / W22XM	44
3.2.5 - Outline Dimensions Flameproof Motors IIC - BFGC8 / W22XC / BFGM8 / W22XM	54
3.3 - Low Voltage Non Sparking Motors	64
3.3.1 - Product Specification - BFN6	64
3.3.2 - Electrical Data Non Sparking Motors BFN6 - II T3	66
3.3.3 - Outline Dimensions Non Soarking Motors - BFN6	68
4 MEDIUM VOLTAGE MOTORS	
4.1 - Medium Voltage Flameproof Motors - BFG6 / BFGC3 / BFGC4 / BFGC8	70
4.1.1 - Product Specification - All BFG(C)	70
4.1.2 - Electrical Data Flameproof Motors IIB - BFG6	72
4.1.3 - Electrical Data Flameproof Motors IIC - BFGC3 / BFGC4 / BFGC8	73
4.1.4 - Outline Dimensions Flameproof Motors IIB - BFG6	74
4.1.5 - Outline Dimensions Flameproof Motors IIC - BFGC3 / BFGC4 / BFGC8	75
4.2 - Medium Voltage Flameproof Motors - BFG(C)8 / W22XB(C) / BFGM8 / W22XM	76
4.2.1 - Product Specification	76
4.2.2 - Electrical Data Flameproof Motors IIB - BFG8 / W22XB / BFGM8 / W22XM	78
4.2.3 - Electrical Data Flameproof Motors IIC - BFGC8 / W22XC / BFGM8 / W22XM	79
4.2.4 - Outline Dimensions Flameproof Motors IIB - BFG8 / W22XB / BFGM8 / W22XM	80
4.2.5 - Outline Dimensions Flameproof Motors IIC - BFGC8 / W22XC / BFGM8 / W22XM	90
4.3 - Medium Voltage Non Sparking Motors - BFN6	100
4.3.1 - Product Specification	100
4.3.2 - Electrical Data Non Sparking Motors BFN6 - II T3	102
4.3.3 - Outline Dimensions Non Sparking Motors - BFN6	104
5 HIGH VOLTAGE MOTORS	
5.1 - High Voltage Flameproof Motors - BFG(C)8 / W22XB(C) / BFGM8 / W22XM	106
5.1.1 - Product Specification	106
5.1.2 - Electrical Data Flameproof Motors IIB - BFG8 / W22XB / BFGM8 / W22XM	108
5.1.3 - Electrical Data Flameproof Motors IIC - BFGC8 / W22XC / BFGM8 / W22XM	109
5.1.4 - Outline Dimensions Flameproof Motors IIB - BFG8 / W22XB / BFGM8 / W22XM	110
5.1.5 - Outline Dimensions Flameproof Motors IIC - BFGC8 / W22XC / BFGM8 / W22XM	114
6 INQUIRY / ORDER CHECK LIST	
6.1 - Basic Motor Data and Features	118
6.2 - Site & Working Conditions	118

1. GENERAL TECHNICAL INFORMATION

1.1 EXPLOSIVE ATMOSPHERES:

Every time that dangerous quantities and concentration of flammable gas, vapors mixture or dust clouds exists, risk of explosions may arise.

Also, layers of combustible dusty may ignite and act as ignitions sources for explosive atmospheres.

Therefore to minimize these risks measures must be taken by equipment suppliers/installers and respective end users.

WEG has many years in the design and operation of motors to be used in the most severe application regarding Hazardous Areas and special applications under the most severe duty requirements.

This Directive concentrates on the duties of the End User whose responsibilities are mainly:

- The assessment of risks
- Preparation of an Explosion Protection Document
- The provision of suitable warning signs for areas where explosive atmospheres may be formed.

The safety of an installation in a Hazardous Area is the result of co-operation between the equipment manufacturer, the installer and the end user.

1.2 STANDARDS AND CLASSIFICATION OF EXPLOSIVE ATMOSPHERES:



1.2.1 ATEX DIRECTIVES

The ATEX Directives were adopted by the European Union (UE) to facilitate the free trade between the member states by aligning the technical and legal requirements for products intended for use in potentially explosive atmospheres.

There are two main Directives, sharing the responsibilities between the Manufacturer and the End User:

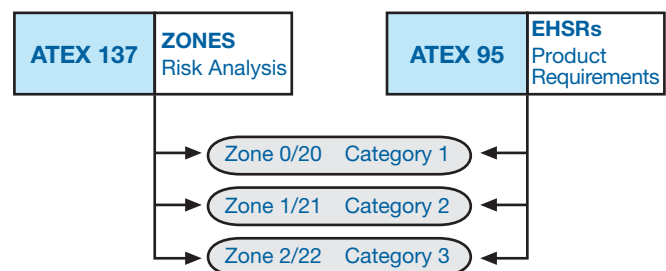
- The ATEX Manufacturers Directive 94/9/EC, also known as ATEX 95, places the responsibilities on the manufacturers: It specifies the Essential Health and Safety Requirements, that must be met by the equipment intended to be used in potentially explosive atmospheres, and defines two different groups which are subdivided in five equipment groups as indicated in 1.2.3.4 of this catalogue.

In order to meet the ATEX Directive products must comply with the Essential Requirements of this Directive and is also required to follow a Conformity Assessment Procedure.

The ATEX product markings can be easily recognized by the symbol , that indicates the explosion protection and by the  mark that certifies the conformity with this Directive.

This assessment procedure involves obtaining the EC Type Examination certificate for products (requires the involvement of a Notified Body except for category 3 products), the Production Quality Assurance (assessed by a Notified Body that issues the QAN – Quality Assessment Notification and periodically makes the audits) and an internal control of production (where the manufacturer carries out the necessary work to guarantee that the products are in compliance with the ATEX Directive).

- The ATEX User Directive 99/92/EC, also known as ATEX 137, describes the minimum requirements for the improvement of the health and safety of workers with relation to potentially explosive atmospheres. It classifies the environment into **zones** and outlines which **category** of equipment that can be used in each zone.



1.2.2 IECEx SCHEME

The objective of the IECEx System is to facilitate international trade in equipment and services for use in explosive atmospheres, while maintaining the required level of safety. IECEx System is accepted in many countries and aims to be the world approval system for electrical equipment to be installed in potentially explosive atmospheres.

The IECEx International Certification System comprises four different schemes:

- The IECEx Certified Equipment Scheme
- The IECEx Certified Service Facilities Scheme
- The IECEx Conformity Mark Licensing System
- The IECEx Certified Persons Scheme

WEG, as a manufacturer of electric motors for potentially explosive atmospheres, introduced a new range of motors - BFG(C)8 and W22XB(C) series - that are in compliance with the IECEx Certified Equipment Scheme.

The IECEx Scheme applies IEC Standards for products design. To achieve IECEx Product Certification is mandatory to involve an ExCB (IECEx Approved Certification Body) to test the products and samples according to the IEC Standards and issue the ExTR (IECEx Test Report).

IECEx Product Certifications also requires the involvement of an ExCB to audit the Quality Assurance System of the manufacturers (that must be previously assessed and in conformity with ISO 9001). From the audit success a QAR (IECEx Quality Assessment Report) is issued.

With the ExTR, Product Documentation and QAR, the IECEx CoC (Certificate of Conformity) can be issued by the ExCB.



1.2.3 EN/IEC STANDARDS

The implementation of ATEX Directives are supported by the CENELEC (EN) standards regarding the enclosure protections of electric motors to be used in potentially explosive atmospheres, as well as the hazardous areas classification criteria, depending on the presence of Gas and/or Combustible Dusts.

WEG refers below the main applicable EN/IEC recently updated Standards:

EN / IEC 60079 – 0 –	Explosive Atmospheres Equipment – General requirements
EN / IEC 60079 – 1 –	Explosive Atmospheres Equipment protection by flameproof enclosures “d”
EN / IEC 60079 – 7 –	Explosive Atmospheres Equipment protection by increased safety “e”
EN / IEC 60079 – 10 –	Electrical apparatus for explosive gas atmospheres Classification of hazardous areas
EN / IEC 60079 – 14 –	Explosive Atmospheres Electrical installations design, selection and erection
EN / IEC 60079 – 15 –	Electrical apparatus for explosive gas atmospheres Construction, test and marking of type of protection “n” electrical apparatus
EN / IEC 60079 – 17 –	Explosive Atmospheres Electrical installations inspection and maintenance
EN / IEC 60079 – 19 –	Explosive Atmospheres Equipment repair, overhaul and reclamation
EN / IEC 61241 – 0 –	Electrical apparatus for use in the presence of combustible dust General requirements
EN / IEC 61241 – 1 –	Electrical apparatus for use in the presence of combustible dust Protection by enclosures “tD”
EN / IEC 61241 – 10 –	Electrical apparatus for use in the presence of combustible dust Classification of areas where combustible dusts are or may be present
EN / IEC 61241 – 14 –	Electrical apparatus for use in the presence of combustible dust Selection and installation
EN / IEC 61241 – 17 –	Electrical apparatus for use in the presence of combustible dust Inspection and maintenance of electrical installation in hazardous areas (other than mines)
EN / IEC 61241 – 19 –	Electrical apparatus for use in the presence of combustible dust Repair and overhaul of electrical apparatus for combustible dust areas

1.2.3.1 ZONE CLASSIFICATIONS:

The EN/IEC Standards classify the risk areas into **zones** and **groups**:

- The **zones** are of classified according with type of atmosphere Gases or Dusts and the respective to frequency and period of time that the explosive atmosphere is present.
- The division into **groups** is based on the aggressiveness of the environment.

1.2.3.2 CLASSIFICATION OF AREAS - GAS AND VAPOURS

EN/IEC 60079-10 – Classification of Hazardous Areas – Gas Areas

- This standard concerns with hazardous area classification where flammable gas and vapours risks may arise.
- Does not apply to mines susceptible to firedamp neither to areas where ignitable dusts or fibres presence risks may arise.

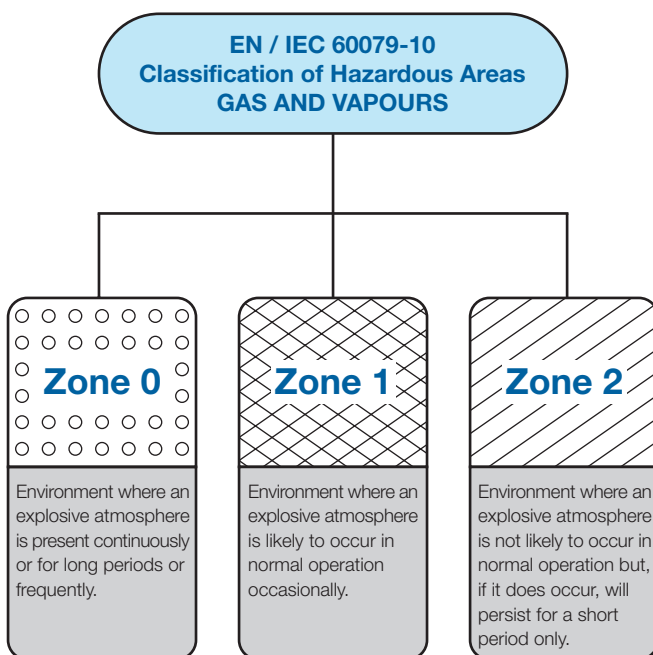
Explosive Gas Atmosphere

Exists where flammable substances in the form of gas, vapours, mist or dust are mixed with air under atmospheric conditions and in case of an ignition combustion spreads throughout the unconsumed mixture.

Hazardous Area (Gas)

Area in which an explosive gas atmosphere is present, or may be expected to be present, in quantities such as to require special precautions for the constructions, installations and use of apparatus.

Hazardous Areas are classified into zones (Gases on the frequency of the occurrence and duration of an explosive gas atmosphere).



1.2.3.3 CLASSIFICATION OF AREAS - COMBUSTIBLE DUSTS

EN/IEC 61241-10 – Classifications of areas where combustible dusts are or may be present

Combustible dust

Dust, fibres or flyings that can burn or glow in air and could form explosive mixtures with air at atmospheric pressure and normal temperatures.

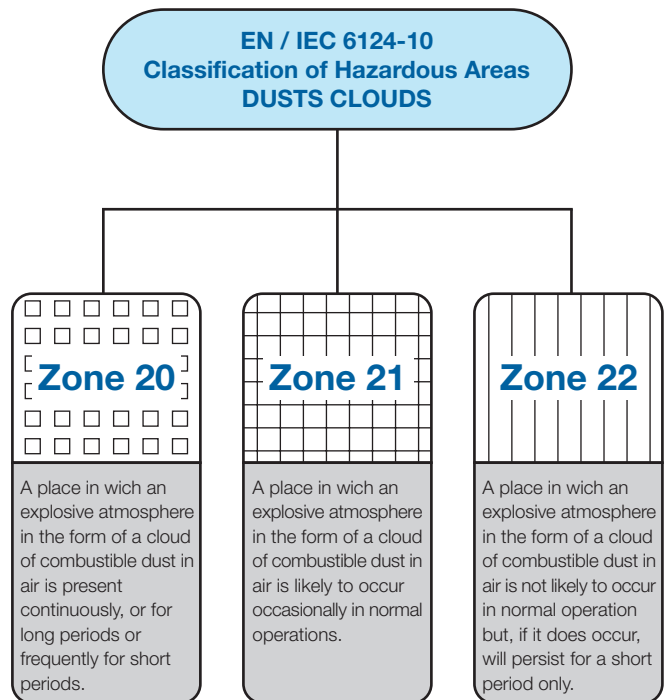
Explosive dust atmosphere

Mixture with air, under atmospheric conditions, of flammable substances in the form of dust, fibres or flyings in which, after ignition, combustion spreads throughout the unconsumed mixture.

Hazardous Area (Dust)

Area in which combustible dust in cloud form is, or can be expected to be, present in quantities such as to require special precautions for the constructions and use of equipment in order to prevent ignition of explosive dust/air mixtures.

Based on the likelihood of the formation of potentially explosive dust/air mixtures, the areas can be designated according to diagram below.



For dust layers the nature of house keeping assures an essential control to their thickness.

For a “good” level of house keeping dust layers are kept to negligible thickness and the risk of the occurrence of explosive dust clouds from layers and the risk of fire due to layers has been removed.

The max surface temperature, for dust layers up to 5mm is:

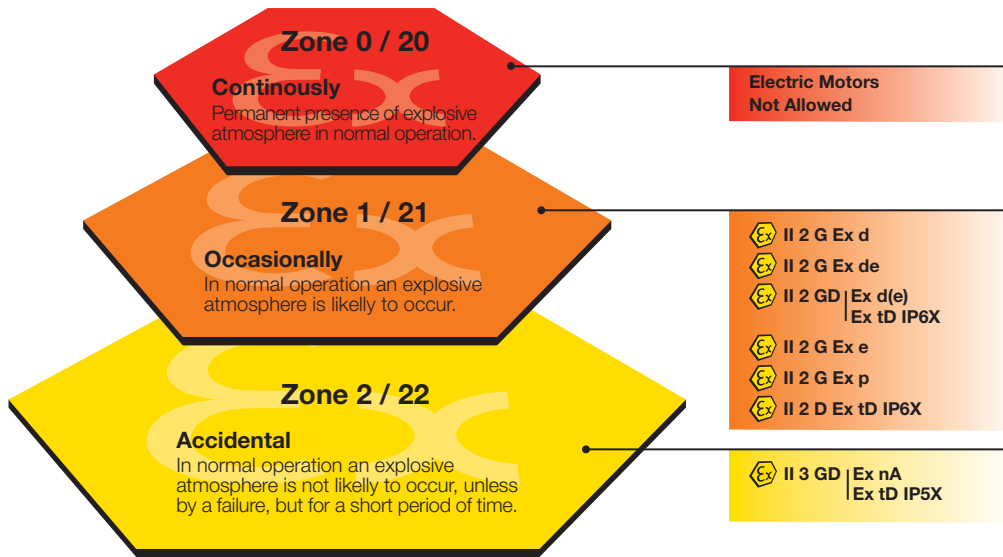
$$T_{max} = T_{5mm} - 75 \text{ } ^\circ\text{C}$$

Where T_{5mm} is the minimum ignition temperature of a 5mm dust layers.

For higher dust layer other rules must be applied according with EN/IEC 61241-10



In summary the Hazardous Areas are classified as follows:



1.2.3.4 CLASSIFICATION OF GROUPS

CENELEC / IEC Standards provide a criteria which determine the classification of the equipment into groups and categories according to EN / IEC 60079-0:

Group Classification:

GROUP I (Mines)	
Categories	
M1	Equipment designed to operate on environments where the explosive atmosphere is present frequently.
M2	Equipment that must be powered off if there is any risk of explosion. Explosive atmosphere is present frequently.

Category Classification:

GROUP II* (Surface Industry)			
Categories			Zone
1	Equipment with high degree of protection. Explosive atmosphere is present continuously or for long periods of time.	1G (gas) 1D (dust)	0 (gas) 20 (dust)
2	Equipment with high degree of protection. Explosive atmosphere may occur occasionally.	2G (gas) 2D (dust)	1 (gas) 21 (dust)
3	Equipment with normal degree of protection. The explosive atmosphere will probably not occur.	3G (gas) 3D (dust)	2 (gas) 22 (dust)

* Gases are subdivided into IIA, IIB and IIC, as per EN / IEC Standards.

Sub-Group Classification for Gases of Explosive Atmospheres:

GROUPS	Underground Explosive Atmospheres	Equipment manufactured for underground operation mines	I	Methane may be present (firedamp)
	Other Explosive Atmosphere	Equipment manufactured for other types of industry (surface industry), being subdivided based on the characteristics of the materials present	IIA	acetone, ammonia, benzene, butane, butanol, alcohol butylic, ethane, ethanol, acetate of ethyl, gasoline, heptanes, hexanes, natural gas, methanol, naphtha, propane, propanol, toluene, esthirene, solvents in general
			IIB	acetaldeide, cyclopropane, diethylic ether, ethene, monoxide of carbon
			IIC	acetylene, butadiene, oxide of ethene, hydrogen, oxide ofpropylene, gases containing over 30% of hydrogen

Note: For a better understanding of a complete identification of Areas and Groups, please see the markings on paragraph 2.2

1.2.3.5 CLASSES OF TEMPERATURE

The minimum temperature that causes an explosion of a gas, vapour of explosive mixture is called ignition temperature. To avoid any risk of explosion, the motor surface temperature must always stay below the ignition temperature of the explosive mixture.

The internal and external temperature of the electrical equipment must be strictly followed to avoid ignition of an explosive mixture. The equipment is classified into classes of temperature, as per table below:

Class of Temperature (C)		Maximum motor surface temperature (C)	Ignition temperature of the explosive mixture (C)
EN / IEC 60079-0	NEC		
T1	T1	450	>450
T2	T2	300	>300
	T2A	280	>280
	T2B	260	>260
	T2C	230	>230
T3	T2D	215	>215
	T3	200	>200
	T3A	180	>180
	T3B	165	>165
T4	T3C	160	>160
	T4	135	>135
T5	T4A	120	>120
	T5	100	>100
T6	T6	85	>85

1.3 PROTECTION CATEGORIES FOR ELECTRIC MOTORS

1.3.1 TYPE Ex d – FLAMEPROOF (according to EN/IEC 60079-1)

It is a type of protection where the parts that may flame an explosive atmosphere are closed into enclosures which are capable to withstand a pressure during an internal explosion of an explosive mixture and it avoids such explosion to go out from this enclosure to an external explosive atmosphere. An induction electric motor (of any protection) is not totally sealed, that is, air flows in and out.

While the motor is in operation, it heats up and the internal air gets to a higher pressure compared to the external pressure (air is blown out); when motor is switched-off, the internal pressure decreases, allowing in this way entrance of air (which in this case is contaminated).

The motor surfaces do not need to be totally enclosed to avoid flame propagation. The minimum opening required to avoid passage of flames depends on the gas or vapour that is present. Therefore, there will always be flame passages through the motor enclosure. The safety level on an explosion proof motor is on the fact that it must ensure that all flame passages never exceed the standardized dimensions and that the motor is physically suitable to withstand an internal explosion without transmitting it to the external environment.

Ex d protection will not allow that an internal explosion propagates to the external environment. To ensure safety to the system, WEG provides a control of the openings and the finishing of joints once these are responsible for the volume of gases exchanged between inside and outside of the motor.

Flame propagation between motor interior and external atmosphere is guaranteed by constructive joints and gaps. Internal pressure that can result of an explosion in the interior of the motor is guaranteed by the enclosure resistance (frame, endshields, internal bearing covers, terminal boxes and some adaptors).

The main characteristics of **Ex d** motors are as follows:

- Reinforced frame, terminal box and endshields
- Greater contact surface (interference) between motor components
- Reduced clearance between motor shaft and bearing cap to avoid transmission of sparks and the external environment
- All components (frames, endshields, terminal box and terminal box lids) are submitted to overpressure test in factory.
- Guaranty of external surface temperature of the motor according with the correspondent Class of temperature (ex. T4 – 135°C). The tests on WEG prototypes comprehend a full evaluation of the external surface temperatures with motor supplied with electrical limit conditions.

Applications:

- Environments containing flammables gas or vapour continuously, intermittently or periodically in enough amounts to generate explosive or flammable mixtures arising out of repairs or maintenance services.
- The locations defined as **Zones 1** and **2**, **Groups IIA, IIB** and **IIC** are those where the following gases are found present: oil, naphtha, benzene, ammonia, propane, diethylic ether, acetone, alcohol, industrial methane, natural gas, as well hydrogen and acetylene.
- The main applications including pumps, fans, blowers, crushers, conveyor systems, mills, cranes and other applications located in areas that require explosion proof motors.

1.3.2 TYPE Ex de – FLAMEPROOF MOTORS WITH INCREASED SAFETY TERMINAL BOX (according to EN/IEC 60079-1 and EN/IEC 60079-7)

Ex de motors differ from **Ex d** motors only on the configuration of terminals and terminal box. The terminal box with increased safety terminals prevents from any ignition source that may occur such as sparks, excessive heating, etc.

Motors with flameproof enclosures “d” with Increased Safety terminal boxes “e” can be used also in zone 1. The protection principle of increased safety terminal boxes is acting in the causes that can start an ignition (ex. Sparks, materials overheating, cables movements, etc) and not in preventing that an internal explosion is sustained inside the enclosure (like flameproof enclosures “d”). Most of WEG increased safety terminal boxes have the constructive principles of flameproof enclosures “d” with additional Increased Safety requirements.

The main characteristics of **Ex de** motors are:

- Terminal box components as well as connection cables must be firmly fastened (without allowing any movement)
- Special terminal block / bushings to avoid arcs and sparks and higher air and surface distances between to conductive parts (clearances and creepages)
- Double grounding must be provided (one on the frame and the other inside the terminal box)

Applications:

- Same as described for Ex d motors.

1.3.3 TYPE Ex nA – NON SPARKING MOTORS (according to EN/IEC 60079-15)

This type of protection is applied to electric equipment which do not cause ignition of an explosive atmosphere under normal operating conditions and in certain abnormal conditions.

The design and constructive principles for these apparatus must guarantee that in normal operation a spark or arc is prevented from causing ignition in a surrounding explosive atmosphere and that the internal and external surfaces temperatures do not overpass the maximum surface temperature certified.

Ex nA motors don't require certification by a third party Notified Body (a manufactures conformity declaration is sufficient). Nevertheless the **Ex nA** motors manufactured by WEG have certification by Ex NB BASEEFA.

Assessment risk

For **Ex nA** motors with output power exceeding 100kW an **assessment risk for rotors** must be made for possible air gap sparking (motors with service duties S1 and S2 with an average starting frequency in normal operation not exceeding 1 start per week are excluded from this assessment risk). The assessment risk consists in a punctuation table where a score is calculated based in rotor construction and some application characteristics. If the score exceeds 5, special measures must be made to guarantee that the apparatus will not contain explosive gas atmosphere at the time of starting. WEG equips the motors that exceed the score of 5 with provision for a pre-start ventilation system (this system is customer's responsibility).

For **Ex nA** motors with rated voltage greater than 1kV an **assessment risk for stators** must be made for possible incendivity of winding insulation system. The assessment risk consists also in a punctuation table where a score is calculated based in the application and site conditions. If the score exceeds 6, special measures must be made to guarantee that the apparatus will not contain explosive gas atmosphere at the time of starting.

WEG equips its motors that exceed the score of 6 with space heaters and also with a provision for pre-start ventilation system (this system is customers responsibility).

The assessment risk is a subject that must have the responsibility of the customer and manufacturer. It's a combined work that is mandatory according with the present standard. WEG always makes the assessment risk in the enquiry stage.

The **Ex nA** motor enclosure is built identically to a safe TEFC motor.

The main characteristics of **Ex nA** motors are as follows:

- Terminal box components as well as connection cables must be firmly fastened (without allowing any movement)
- T3 classification as per maximum internal and external surface temperature
- Increased safety terminal blocks / bushings to avoid arcs and sparks and higher air and surface distances between to conductive parts (clearances and creepages)
- Construction particularities to avoid arcs or sparks between static and rotating parts during normal operation:
 - specific air gaps
 - rubbing seals materials
 - rotor construction
 - fans material and peripheral speeds

Applications:

Environment where an explosive atmosphere will probably not be present under normal operating conditions and, if any, this will be for short period of time, that is, an explosive atmosphere may be present accidentally.

The environments are classified as Zone 2, groups IIA, IIB and IIC. The most common gases included in this classification are: acetone, ammonia, benzene, butane, butanol, butylic alcohol, ethane, ethanol, acetate of ethyl, gasoline, heptanes, hexanes, natural gas, methanol, oil naphtha, propane, propanol, toluene, esthyrene, solvents in general, acetaldehyde, cyclopropane, diethylic ether, ethane, monoxide of carbon, acetylene, butadiene, oxide of ethane, hydrogen, oxide of propylene and gases containing over 30% of hydrogen.

1.4 GENERAL CONSTRUCTION STANDARDS

Beyond the particular requirements for Hazardous Areas, the WEG electric motors are manufactured in compliance with General EN/IEC and equivalent National Standards related with construction and performance. The main applicable Standards are described below:

EN / IEC 60034-1	Rating and performance
EN 50347 and IEC 60072	Outputs and Dimensions
EN / IEC 60034-5	Mechanical protection
EN / IEC 60034-6	Cooling method
EN / IEC 60034-7	Mounting arrangements
EN / IEC 60085	Insulation class
EN / IEC 60034-8	Terminals identification and rotation
EN / IEC 60034-9	Noise limits
EN / IEC 60034-14	Balancing and vibration limits

2. GENERAL PRODUCT INFORMATION

2.1 WEG RANGES OF HAZARDOUS AREAS MOTORS

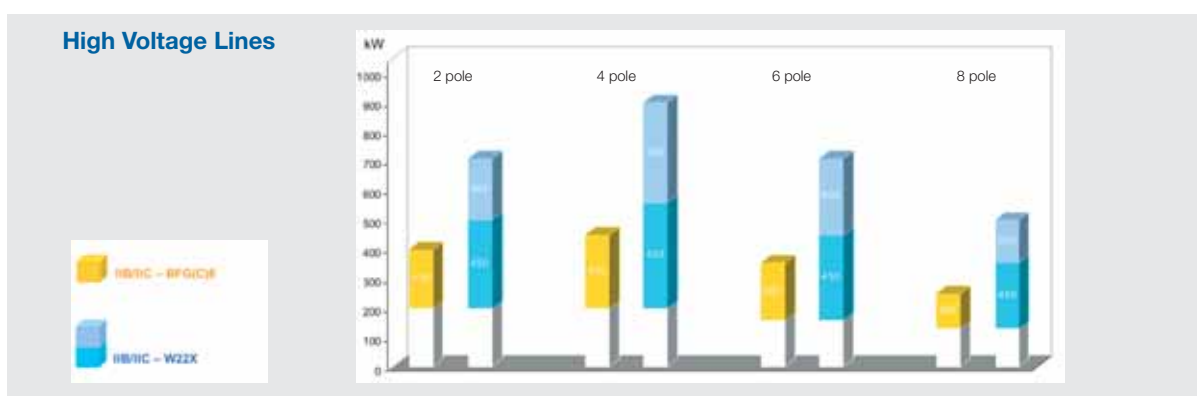
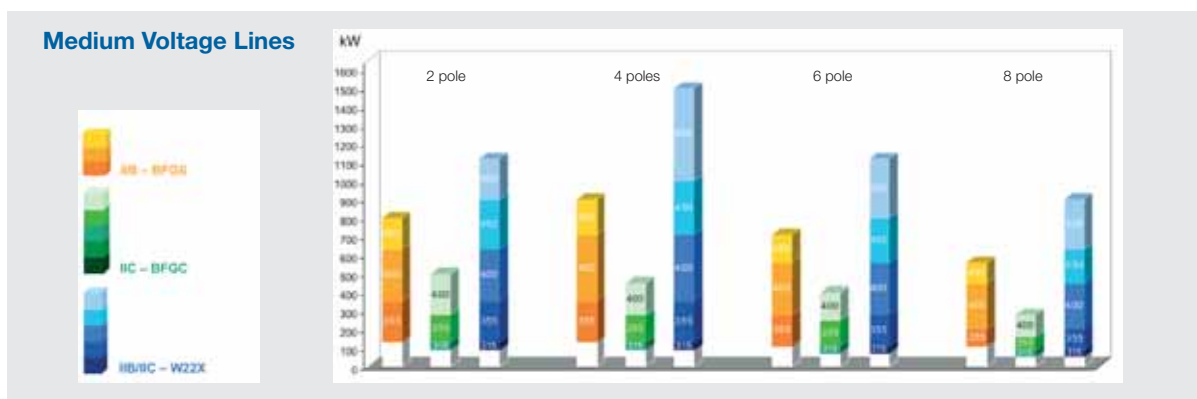
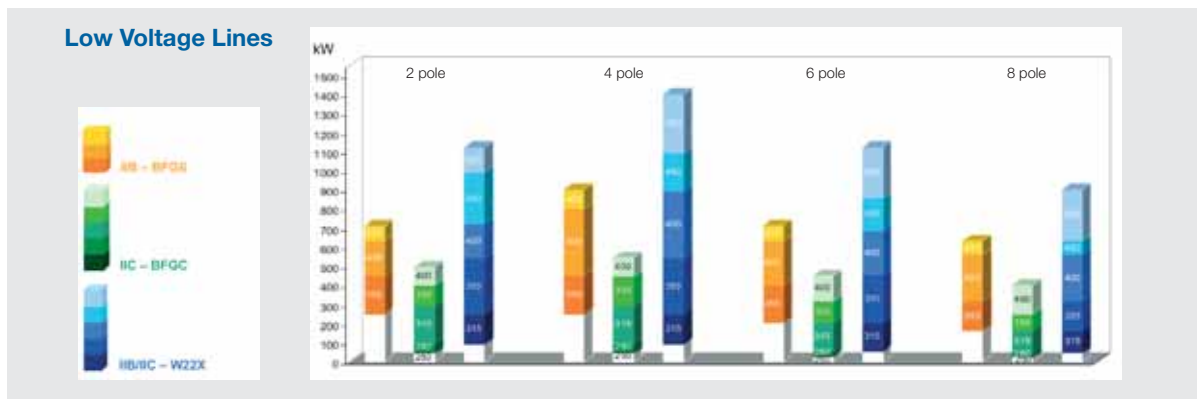
WEG has two different lines of motors for hazardous areas included in this catalogue:

- The line composed by the motor series BFG6, BFGC3, 4 and 8 (71-225) comprising our current range;
- The new line composed by the motor series BFG(C)8 and W22XB(C) in its final stage of certification, more flexible with larger optional certified executions covering a wide range of working conditions and applications in Oil & Gas. This line is integrated in a strategic W22 project of WEG.

For a more comprehensive reading, these lines are separated by electrical and technical characteristics and in the graphic below is indicated these lines matching.

Key for motor designations:

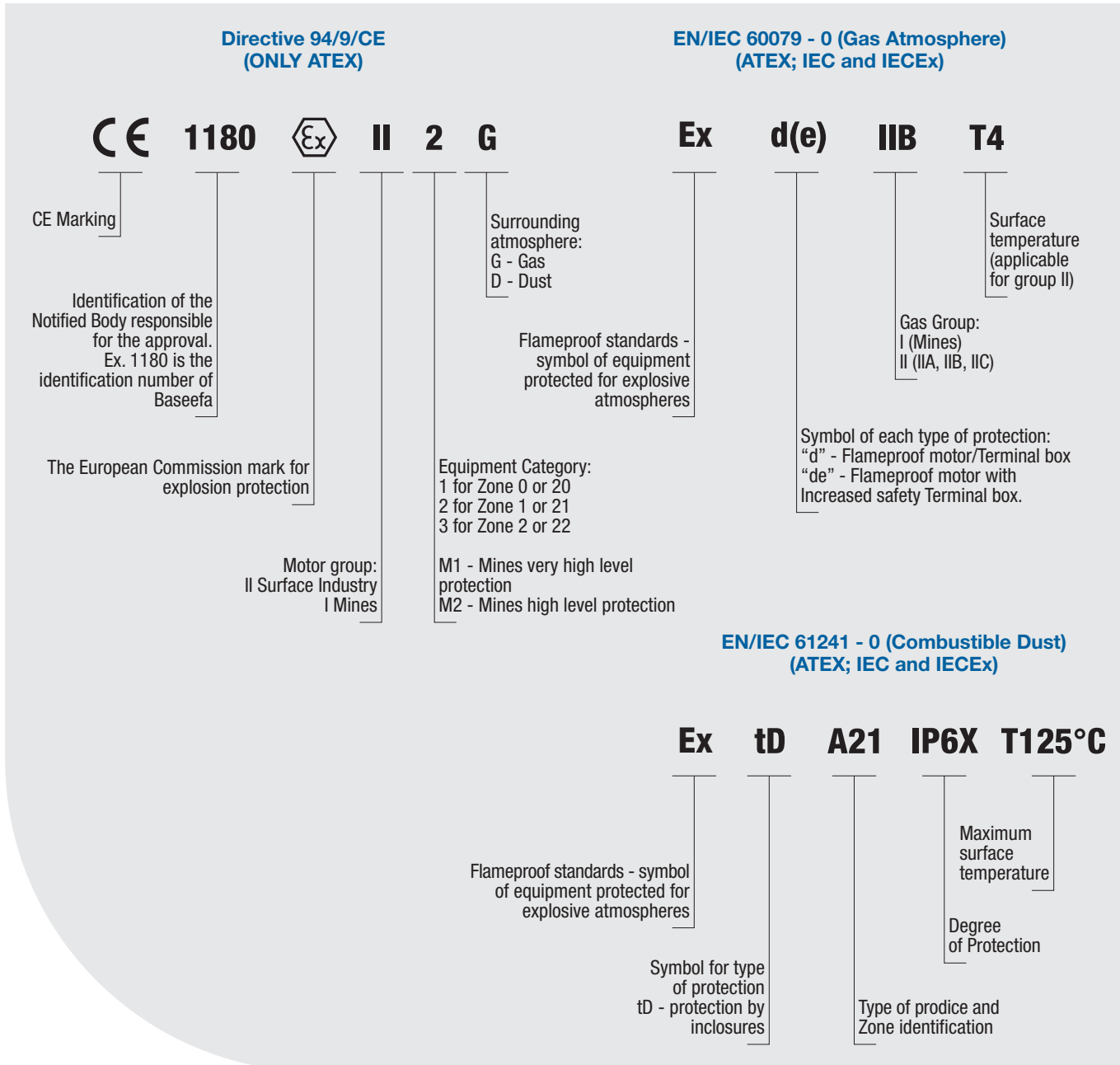
		Terminal Box	
		Standard Ex d	Increased Safety Ex e
GROUP II	Gases Group IIB	BFG6 BFG8 W22XB	BFGE6 BFGE8 W22XBE
	Gases Group IIC	BFGC3 BFGC4 BFGC8 W22XC	BFGCE3 BFGCE4 BFGCE8 W22XCE
GROUP I	Mines (Category M2)	BFGM8 W22XM	BFGME8 W22XME



2.2 MARKINGS AND RATING / CERTIFICATION NAMEPLATES

2.2.1 MARKINGS OF EQUIPMENT

Examples of marking are given according to ATEX, EN and IEC standards.



Examples of markings:

Non sparking (Gas): CE 1180 II 3 G Ex nA II T3

Flameproof (Gas): CE 1180 II 2 G Ex IIC T4

Flameproof (Gas and Dust with Increased Safety Terminal Box): CE 1180 II GD Ex de IIC T4 – Ex tD A21 IP6X T125°C

2.2.2 CERTIFICATES OF EQUIPMENT

Example of Identification | IECEX: INE 08.009X
ATEX: INERIS 08 ATEX 0013X

Example of Certificates



Marine Certification

The WEG motors meet and also can be certified according to the requirements of all Marine Classification Societies member

of IACS to permit the use of Hazardous Areas motors on Marine Applications: ABS; BV; CCS; DNV; GL; KR; LR; NK; RINA; RS, etc

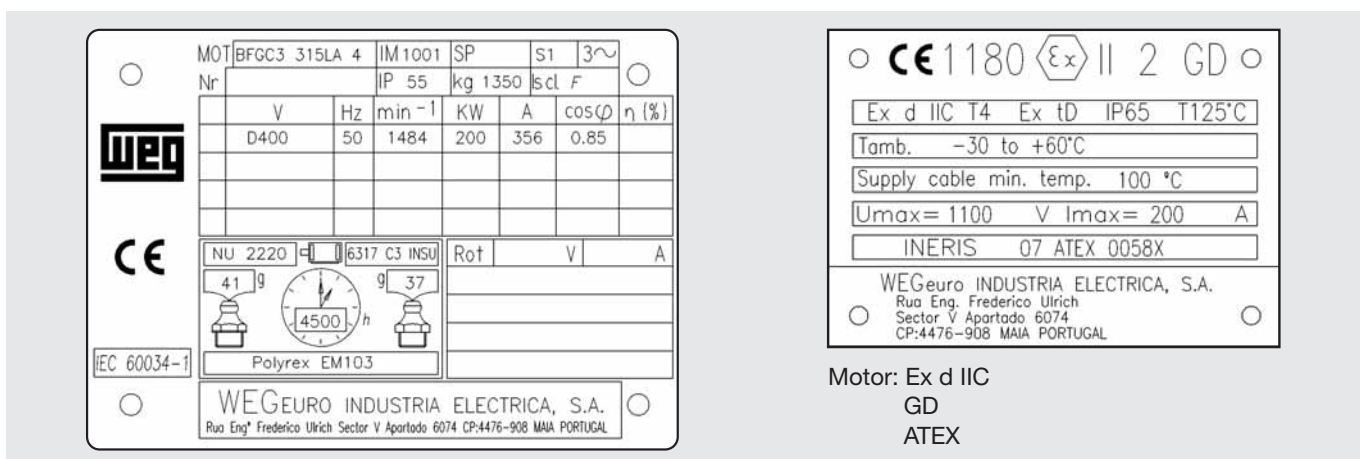
2.2.3 CERTIFICATION BODIES

All the flameproof and Non Sparking motors manufactured by WEG meet ATEX directive 94/9/CE with QAN (Quality Assessment Notification) for Production facility issued by Baseefa (2001), and product EC type (Examination Certificate) issued by ISSeP, PTB and INERIS according to CENELEC standards.

The new lines BFG(C)8 and W22XB(C) also meet the IECEX scheme with QAR (Quality Assessment Report) production facility quality audit issued by Baseefa, Ex TR (IECEX Test Report) for product type issued by INERIS and IECEX CoC (Certificate of Conformity) also issued by INERIS.

2.2.4 RATING / CERTIFICATION NAMEPLATES

Some examples of Rating and Certification nameplates are given for better understanding of markings:



Motor: Ex d IIC
GD
ATEX

MOT. BFN6 355MLJ 4 IM1001 SP S1 3~

Nr. IP 55 kg 2225 Iscl F

V	Hz	min ⁻¹	KW	A	cosφ	η (%)
Y6000	50	1489	355	42.8	0.83	

6222 C3 6219 C3 INSU Rot V A

38 g 27 g

7200 h

Polyrex EM103

IEC 60034-1

WEGEURO INDUSTRIA ELECTRICA, S.A.
Rua Eng. Frederico Ulrich Sector V Apartado 6074 CP:4476-908 MAIA PORTUGAL

CE 1180 Ex II 3 G

Ex nA II T3

Baseefa 06 ATEX 0273X

EN 60079-0:2004

EN 60079-15:2005

WEGeuro-Industria Electrica,S.A.
Rua Eng. Frederico Ulrich Sector V Apartado 6074-CP:4476 908 MAIA-Portugal

Motor: Ex nA
G
ATEX

MOT. BFGE6 400J 4 IM1001 SP S1 3~

Nr. IP 55 kg 2950 Iscl F

V	Hz	min ⁻¹	KW	A	cosφ	η (%)
D400	50	1490	630	1076	0.87	

6324 C3 6324 C3 INSU Rot V A

72 g 72 g

4320 h

Polyrex EM103

IEC 60034-1

WEGEURO INDUSTRIA ELECTRICA, S.A.
Rua Eng. Frederico Ulrich Sector V Apartado 6074 CP:4476-908 MAIA PORTUGAL

CE 1180 Ex II 2 G

Ex de IIB T4

Tamb. -20 to +50°C

Supply cable min. temp. 100°C

Umax= 1100 V Imax= 630 A

INERIS 06 ATEX 0062X

WEGeuro INDUSTRIA ELECTRICA, S.A.
Rua Eng. Frederico Ulrich Sector V Apartado 6074 CP:4476-908 MAIA PORTUGAL

Motor: Ex de IIB
G
ATEX

MOT. BFGCEB 450KH 2 IM1001 Sp. 2 S1 3~

Nr. IP 55 Iscl F Kg 4850

V	Hz	min ⁻¹	KW	A	cosφ	η (%)
Y6000	50	2985	700	79.3	0.88	

N218 C3 + 6218 C3 Rot V A

N218 C3 Temp. Amb. = -28°C to +43°C

48 g 24 g

1200h

Polyrex EM103

IEC 60034-1

WEGEURO INDUSTRIA ELECTRICA, S.A.
Rua Eng. Frederico Ulrich Sector V Apartado 6074 CP:4476-908 MAIA PORTUGAL

Ex d IIC T4

Tamb. -55 to +60°C

Supply cable min. temp. 100°C

Umax= 6600 V Imax= 315 A

IECEX INE 08.0010X

WEGeuro INDUSTRIA ELECTRICA, S.A.
Rua Eng. Frederico Ulrich Sector V Apartado 6074 CP:4476-908 MAIA PORTUGAL

Motor: Ex d IIC
G
IECEX

MOT. W22XC 500KH 4 IM1001 Sp. S1 3~

Nr. IP 55 Iscl F Kg 9550

V	Hz	min ⁻¹	KW	A	cosφ	η (%)
Y11000	50	1495	800	48.6	0.89	

6328 C3 6328 C3 INSU Rot V A

93 g 93 g

4200h

Polyrex EM103

IEC 60034-1

WEGEURO INDUSTRIA ELECTRICA, S.A.
Rua Eng. Frederico Ulrich Sector V Apartado 6074 CP:4476-908 MAIA PORTUGAL

CE 1180 Ex II 2 G

Ex d IIC T4

Tamb. -55 to +60°C

Supply cable min. temp. 100°C

Umax= 11000 V Imax= 400 A

INERIS 08 ATEX 0014X

WEGeuro INDUSTRIA ELECTRICA, S.A.
Rua Eng. Frederico Ulrich Sector V Apartado 6074 CP:4476-908 MAIA PORTUGAL

Motor: Ex d IIC
G
ATEX

2.3 SCOPE OF CERTIFICATIONS

		Ex d and Ex de													
		W22XB/W22XC		BFG(C)8		BFG6			BFGC3			BFGC4			
		Motor													
		500 KH (IIB/IIIC)	355 MLJ (IIB/IIIC) (F - BF)	450 KH (IIB/IIIC)	400 L/J/G (IIB/IIIC)	450 KH (IIB)	400 L/J/L/G (IIB)	355 MLJ (IIB)	400 LA (IIC)	355 MA/LA (IIC)	315 MA/LA (IIC)	315SM (IIC)	280 SM (IIC)	250 SM (IIC)	
		RATINGS													
Voltages / Speeds	Certification itens	P(kW) - LV 2 pole (≤1,1kV)	1120	450	710	630	710	630	450	500	355	250	132	90	55
	P(kW) - LV 4 pole (≤1,1kV)	1400	500	900	800	900	800	500	560	400	250	132	90	55	
	P(kW) - LV 6 pole (≤1,1kV)	1120	355	710	560	710	630	400	500	315	200	90	55	37	
	P(kW) - LV 8 pole (≤1,1kV)	900	315	630	500	630	560	355	450	280	160	75	45	30	
	P(kW) - MV 2 pole (≤6,6kV)	1120	355	800	630	800	630	355	500	315	132				
	P(kW) - MV 4 pole (≤6,6kV)	1500	355	900	630	900	710	355	500	280	132				
	P(kW) - MV 6 pole (≤6,6kV)	1120	280	710	560	710	560	280	400	250	110				
	P(kW) - MV 8 pole (≤6,6kV)	900	200	560	450	560	450	200	280	160	90				
	P(kW) - HV 2 pole (≤11,0kV)	710		450											
	P(kW) - HV 4 pole (≤11,0kV)	900		450											
P(kW) - HV 6 pole (≤11,0kV)	710		355												
P(kW) - HV 8 pole (≤11,0kV)	500		250												
Standard & Optional Features Certified	IIB	●	●	●	●	●	●	●	●	●	●	●	●	●	
	IIIC	●	●	●	●	●	●	●	●	●	●	●	●	●	
	LV	●	●	●	●	●	●	●	●	●	●	●	●	●	
	MV	●	●	●	●	●	●	●	●	●	●	●	●	●	
	HV (0)	●	●	●	●	●	●	●	●	●	●	●	●	●	
	Ex II 2 G - Ex d(e) IIC T4 or Ex d(e) IIB T4 (Zone 1)	●	●	●	●	●	●	●	●	●	●	●	●	●	●
	Ex II 2 GD - Ex d(e) IIC T4 or Ex d(e) IIB T4 - Ex ID A21 IP65 T125C ⁹	○	○	○	○	○	○	○	○	○	○	○	○	○	○
	Ex II 2 GD - Ex d(e) IIC T4 or Ex d(e) IIB T4 - Ex ID A21 IP65 T135C ⁹	○	○	○	○	○	○	○	○	○	○	○	○	○	○
	Ex I M2	○	○	○	○	○	○	○	○	○	○	○	○	○	○
	IP55	●	●	●	●	●	●	●	●	●	●	●	●	●	●
	IP56	○	○	○	○	○	○	○	○	○	○	○	○	○	○
	IP65	○	○	○	○	○	○	○	○	○	○	○	○	○	○
	IP66	○	○	○	○	○	○	○	○	○	○	○	○	○	○
	ATEX	●	●	●	●	●	● (11)	●	●	● (11)	●	●	● (11)	● (11)	●
	IECEx	○	○	○	○	○	○	○	○	○	○	○	○	○	○
	GOST / GOSGORTECHNADZOR	○	○	○	○	○	○	○	○	○	○	○	○	○	○
	Marine	○	○	○	○	○	○	○	○	○	○	○	○	○	○
	T4	●	●	●	●	●	●	●	●	●	●	●	●	●	●
	T5	○	○	○	○	○	○	○	○	○	○	○	○	○	○
	50 Hz (1)	●	●	●	●	●	●	●	●	●	●	●	●	●	●
	60 Hz (1)	○	○	○	○	○	○	○	○	○	○	○	○	○	○
	Insulation class F	●	●	●	●	●	●	●	●	●	●	●	●	●	●
	Insulation class H (2)	○	○	○	○	○	○	○	○	○	○	○	○	○	○
	Temperature rise class B	●	●	●	●	●	●	●	●	●	●	●	●	●	●
	Temperature rise class F	○	○	○	○	○	○	○	○	○	○	○	○	○	○
	Terminal box on top	○	○	○	○	○	○	○	○	○	○	○	○	○	○
	Terminal box on left/right side	○	○	○	○	○	○	○	○	○	○	○	○	○	○
	Epoxy painting (202E)	●	●	●	●	●	●	●	●	●	●	●	●	●	●
	Painting plans (202P, 211E, 211P, 212E and 212P)	○	○	○	○	○	○	○	○	○	○	○	○	○	○
	Frequency converter T4 (3)	○	○	○	○	○	○	○	○	○	○	○	○	○	○
	Horizontal mounting	●	●	●	●	●	●	●	●	●	●	●	●	●	●
	Vertical mounting (4)	○	○	○	○	○	○	○	○	○	○	○	○	○	○
	Bearings	●	●	●	●	●	●	●	●	●	●	●	●	●	●
	Sleeve-bearings (2 poles motors) (5)	○(12)	○	○(12)	○(12)	○	○	○	○	○	○	○	○	○	○
	Sleeve-bearings (= 4 poles motors) (5)	○	○	○	○	○	○	○	○	○	○	○	○	○	○
	Insulated bearing	○	○	○	○	○	○	○	○	○	○	○	○	○	○
	2 nd power terminal box	○	○	○	○	○	○	○	○	○	○	○	○	○	○
	Auxiliary terminal box (6)	○	○	○	○	○	○	○	○	○	○	○	○	○	○
	2 nd auxiliary terminal box	○	○	○	○	○	○	○	○	○	○	○	○	○	○
	3 rd auxiliary terminal box	○	○	○	○	○	○	○	○	○	○	○	○	○	○
	Power terminal box with Icc withstanding value - tested	○	○	○	○	○	○	○	○	○	○	○	○	○	○
	Phase segregated terminal box (fault withstanding type)	○	○	○	○	○	○	○	○	○	○	○	○	○	○
	Drain and breathing device	○	○	○	○	○	○	○	○	○	○	○	○	○	○
	Flying leads	○	○	○	○	○	○	○	○	○	○	○	○	○	○
	Forced ventilation	○	○	○	○	○	○	○	○	○	○	○	○	○	○
	Without fan (7)	○	○	○	○	○	○	○	○	○	○	○	○	○	○
	Motor with fan and 2 flanges	○	○	○	○	○	○	○	○	○	○	○	○	○	○
	Windings thermal protections (8)	○	○	○	○	○	○	○	○	○	○	○	○	○	○
	Bearings thermal protections (8)	○	○	○	○	○	○	○	○	○	○	○	○	○	○
	Space heaters (8)	○	○	○	○	○	○	○	○	○	○	○	○	○	○
Provision for SPM adaptors	○	○	○	○	○	○	○	○	○	○	○	○	○	○	
Equipped with vibration/position/acceleration/speed measurement devices	○	○	○	○	○	○	○	○	○	○	○	○	○	○	
Equipped with encoder or tacho	○	○	○	○	○	○	○	○	○	○	○	○	○	○	
Equipped with CTs (current transformers) (9)	○	○	○	○	○	○	○	○	○	○	○	○	○	○	
Equipped with surge capacitors for main supply (9)	○	○	○	○	○	○	○	○	○	○	○	○	○	○	
Equipped with surge arresters for main supply (9)	○	○	○	○	○	○	○	○	○	○	○	○	○	○	
Equipped with surge arresters in auxiliary terminal box (9)	○	○	○	○	○	○	○	○	○	○	○	○	○	○	
Service S1	●	●	●	●	●	●	●	●	●	●	●	●	●	●	
Service S2 to S10 (10)	○	○	○	○	○	○	○	○	○	○	○	○	○	○	
-20°C≤Ambient temp≤40°C	●	●	●	●	●	●	●	●	●	●	●	●	●	●	
-20°C≤Ambient temp≤60°C	○	○	○	○	○	○(13)	○(13)	○	○	○	○	○	○	○	
-40°C≤Ambient temp≤60°C	○	○	○	○	○	○	○	○(13)	○	○	○(13)	○	○	○(13)	
-55°C Ambient temp≤60°C	○	○	○	○	○	○	○	○	○	○	○	○	○	○	



Standards:
EN/IEC 60079-0; EN/IEC 60079-1; EN/IEC 60079-7
EN/IEC 61241-0; EN/IEC 61241-1



● Standard executions
○ Optional executions
Not available




(0) Maximum 11kV.
 (1) 50Hz: For sleeve-bearings execution in 2 pole motors frame size 500 - analysis case by case / 60Hz: Not available for bearings in 2 pole motors frame sizes 500. For sleeve-bearings execution in 2 pole motors frames size 450 and 500 - analysis case by case.
 (2) Only for LV motors.
 (3) F/F by default. F/B under request. Not available for sleeve bearings IIB motors. Max amb. temp. range -40°C to +60°C. Winding trip device is mandatory.
 (4) Not available for 2 pole motors frame sizes 450 and 500. Not available also for all motors with sleeve-bearing execution.
 (5) Only available for IIB motors.
 (6) Standard for MV and HV motors.
 (7) Working on air flow.
 (8) LV motors: Standard is 1xPTC/phase. MV and HV motors: Standard is 1xPT100/phase + 1xPT100/bearing + Heaters.
 (9) Not available for 'Ex de' execution.
 (10) Specific type test in first manufactured motor.
 (11) Certification according EN 50014; EN 50018; EN 50019; EN 50281-1-1.
 (12) 50Hz, 60Hz and VSD operation: analysis case by case.
 (13) BFG6 450 and BFG6 400: -20°C up to +50°C; BFG6 355: -20°C up to +55°C; BFGC3 315: -30°C up to +60°C; BFGC4 250: -28°C up to +50°C.
 General note: Some optionals may not be available in IECEx product or Group I product. Please consult before order.


2.4 CERTIFICATION STANDARDS AND Ex NOTIFIED BODIES PER RANGE


In the following tables is a resume of certification standards per WEG motors ranges:

Line: BFGC3 Possible markings: Ex d IIC T4 / Ex de IIC T4				
Motors	Certification standards	Voltage	Ex NB	ATEX / IECEx
BFGC3 315 MA/LA	EN 60079-0: 2006 EN 60079-1: 2004 EN 60079-7: 2003 EN 61241-0: 2006 EN 61241-1: 2004	LV and MV		ATEX
BFGC3 355 MA/LA	EN 60079-0: 2006 / IEC 60079-0: 2004 EN 60079-1: 2004 / IEC 60079-1: 2003 EN 60079-7: 2007 / IEC 60079-7: 2006 EN 61241-0: 2006 / IEC 61241-0: 2004 EN 61241-1: 2004 / IEC 61241-1: 2004			
BFGC3 400 LA	EN 50014: 1997 A1 e A2: 1999 EN 50018: 2000 A1: 2002 EN 50281-1-1 n 1998			

Line: BFGC4 Possible markings: Ex d IIC T4 / Ex de IIC T4				
Motors	Certification standards	Voltage	Ex NB	ATEX / IECEx
BFGC4 250 M	EN 60079-0: 2004 EN 60079-1: 2004 EN 60079-7: 2003 EN 50281-1-1- 1998 A1	LV		ATEX
BFGC4 280 SA/MA	EN 50014: 1997 A1 e A2: 1999 EN 50018: 2000 A1: 2002			
BFGC4 315 SA/MA	EN 50281-1-1- 1998			

Line: BFG6 Possible markings: Ex d IIB T4 / Ex de IIB T4				
Motors	Certification standards	Voltage	Ex NB	ATEX / IECEx
BFG6 355 MLJ	EN 60079-0: 2006 / IEC 60079-0: 2004 EN 60079-1: 2004 / IEC 60079-1: 2003 EN 60079-7: 2007 / IEC 60079-7: 2006 EN 61241-0: 2006 / IEC 61241-0: 2004 EN 61241-1: 2004 / IEC 61241-1: 2004	LV and MV		ATEX
BFG6 400 L/J/G	EN 60079-0: 2004 EN 60079-1: 2004 EN 60079-7: 2003 EN 50281-1-1- 1998 A1			
BFG6 450 KH	EN 50014: 1997 A1 e A2: 1999 EN 50018: 2000 A1: 2002 EN 50019: 1994 e 2000 EN 50281-1-1- 1998 + A1:2002			

Line: BFN6 Possible markings: Ex nA II T3				
Motors	Certification standards	Voltage	Ex NB	ATEX / IECEx
BFN6 315 L	EN 60079-0: 2004 EN 60079-15: 2005	LV and MV		ATEX
BFN6 355 MLJ				
BFN6 400 L/J/G				
BFN6 450 KH				
BFN6 500 H				

Line: BFG(C)8 and W22X Possible markings: Ex d I / Ex de I / Ex d IIB T4 / Ex d IIC T4 / Ex de IIC T4				
Motors	Certification standards	Voltage	Ex NB	ATEX / IECEx
W22X 355 MLJ	EN 60079-0: 2006 / IEC 60079-0: 2004 EN 60079-1: 2007 / IEC 60079-1: 2003 EN 60079-7: 2007 / IEC 60079-7: 2001 EN 61241-0: 2006 / IEC 61241-0: 2004 EN 61241-1: 2004 / IEC 61241-1: 2004	LV and MV		ATEX IECEx
BFG(C)8 400 LJ/G		LV, MV and HV		
BFG(C)8 450 KH				
W22X 500 KH				

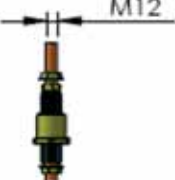
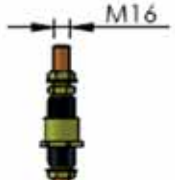
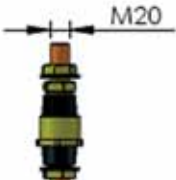
2.5 TERMINAL BOXES TECHNICAL INFORMATION

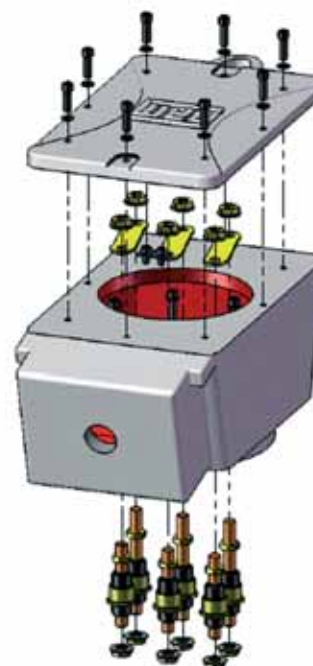
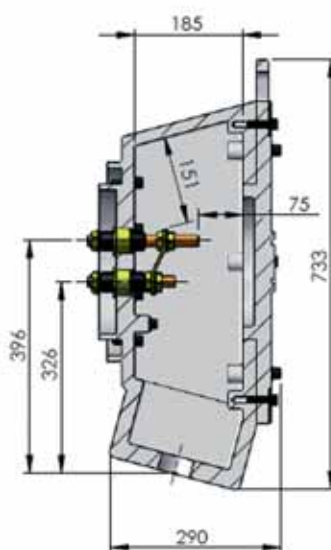
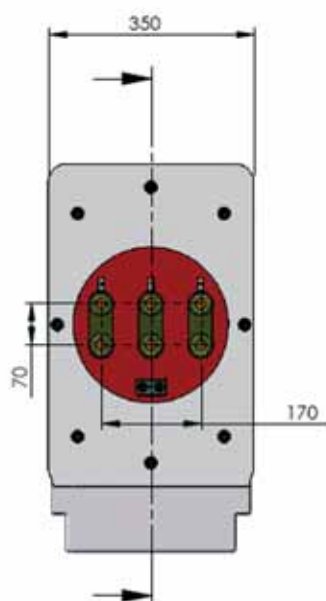
The certification of the new BFG(C)8 and W22XB(C) series allows the motor frame to be equipped with a different sizes and types of terminal boxes. The type of terminal boxes per motor frame are indicated on outline dimensions tables and details are given hereafter.

Note regarding all terminal boxes:

Special attention shall be given to cable entry diameters to all main and auxiliary terminal boxes in order to choose the correct type and size of cable gland which makes part of motor protection enclosure.

2.5.1 MAIN SUPPLY TERMINAL BOXES

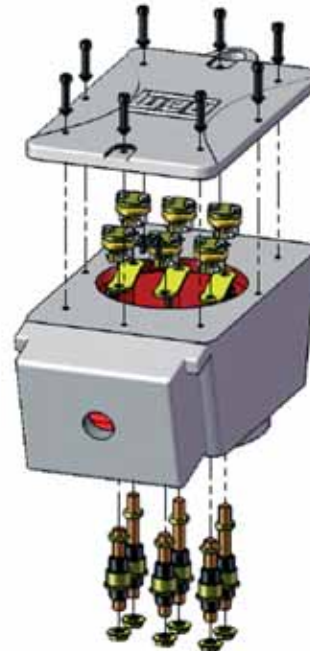
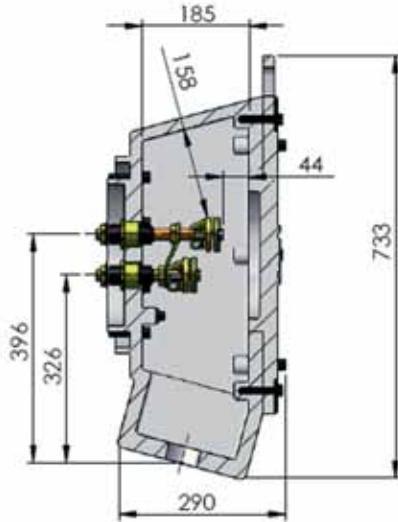
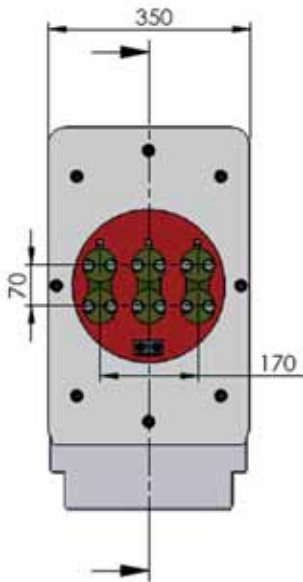
Standard Terminal Box for Flameproof Motors - G(D) - Ex d I / Ex d IIB/C				
Terminal Box: CEFGH 340				
Low Voltage: ≤ 1100 V				
Grounding	Quant.	2		
	Cable Max.	185 mm ²		
	Material	Stainless Steel		
	$I \leq 545$ A	$545 \text{ A} < I \leq 690$ A	$690 \text{ A} < I \leq 900$ A	$900 \text{ A} < I \leq 1090$ A
Entrance Holes	2 x M63 x 1,5	2 x M63 x 1,5	2 x M63 x 1,5	4 x M63 x 1,5
Cable Type	3 Core - 2x(3x300+1G150)	3 Core - 2x(3x300+1G150)	3 Core - 2x(3x300+1G150)	3 Core - 2x(3x300+1G150)
Bushing / Terminal	6 x M12	6 x M16	6 x M20	6 x M20
Cross Section Cable max.	300	300	300	300
Cable Mechanical Protection	Armoured and non armoured			
Fault Level	-	-	-	-
Fault Level (peak)	-	-	-	-
Protection Level	IP 66			
Bushing / Terminal				
M12		M16		M20
				



- Notes:
- All the dimensions are in millimetres.
 - Please, do not use these dimensions for construction.
 - Certified drawings under request.
 - For other special executions please refer to us.
 - The dimensions shown are subject to change without prior notice.

MAIN SUPPLY TERMINAL BOXES



Standard Terminal Box for Flameproof Motors - G(D) - Ex de I / Ex de IIB/C				
Terminal Box: CEFGH 340				
Low Voltage: ≤ 1100 V				
Grounding	Quant.	2		
	Cable Max.	185 mm ²		
	Material	Stainless Steel		
Entrance Holes	1 ≤ 545 A	545 A < 1 ≤ 690 A	690 A < 1 ≤ 900 A	900 A < 1 ≤ 1090 A
	2 x M63 x 1,5	2 x M63 x 1,5	2 x M63 x 1,5	4 x M63 x 1,5
	Cable Type	3 Core - 2x(3x95+1G50)	3 Core - 2x(3x150+1G95)	3 Core - 2x(3x300+1G150)
	Bushing / Terminal	6 x M12	6 x M16	6 x M20
Cross Section Cable max.	95	150	300	300
Cable Mechanical Protection	Armoured and non armoured			
Fault Level	-	-	-	-
Fault Level (peak)	-	-	-	-
Protection Level	IP 66			
Bushing / Terminal				
M12		M16		M20

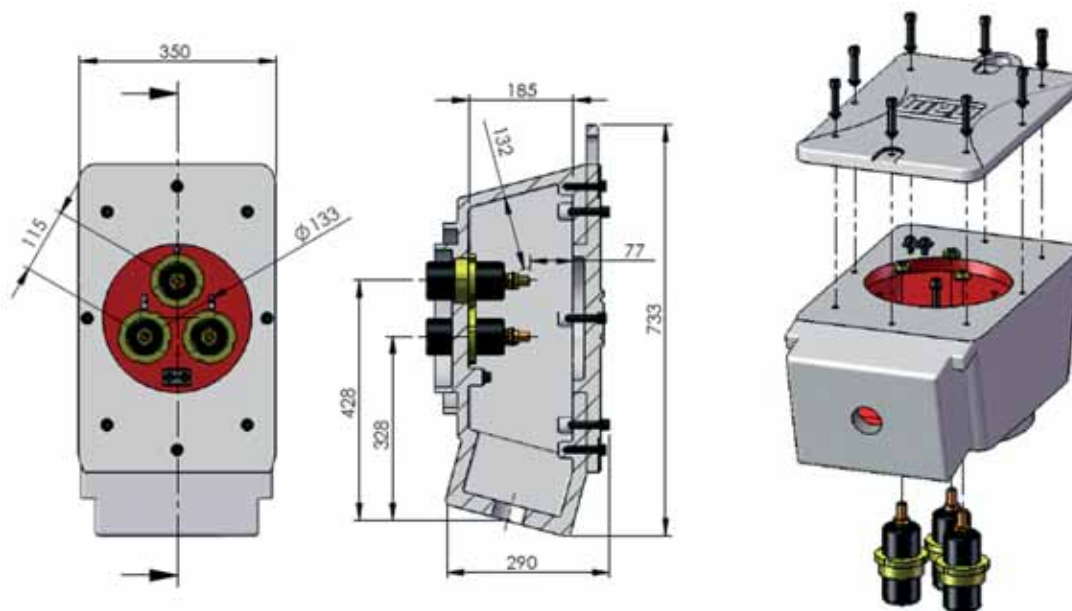


- Notes: - All the dimensions are in millimeters.
 - Please, do not use these dimensions for construction.
 - Certified drawings under request.
 - For other special executions please refer to us.
 - The dimensions shown are subject to change without prior notice.





MAIN SUPPLY TERMINAL BOXES

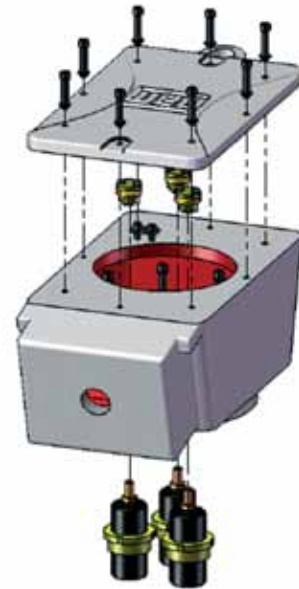
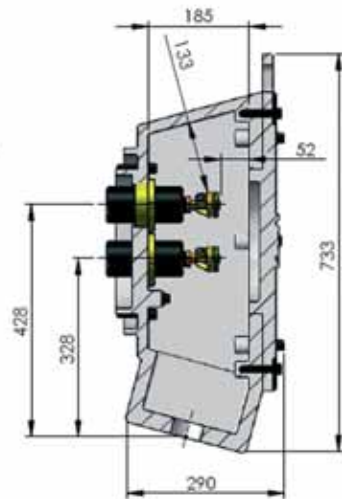
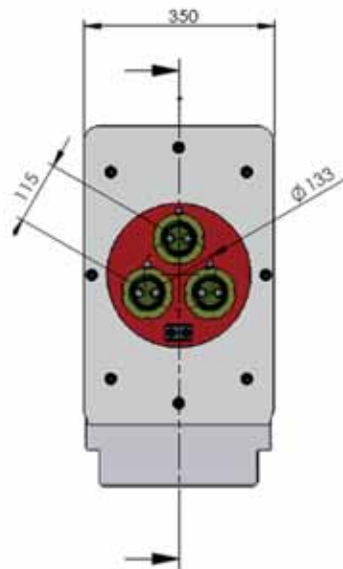
Standard Terminal Box for Flameproof Motors - G(D) - Ex d I / Ex d IIB/C		
Terminal Box: CEFGH 340		
Medium Voltage: 1100 V < V ≤ 6600 V		
Grounding	Quant.	2
	Cable Max.	185 mm ²
	Material	Stainless Steel
	I ≤ 315 A	315 A < I ≤ 400 A
Entrance Holes	1 x M63 x 1,5	3 x M63 x 1,5
Cable Type	3 Core - 1x(3x120)	1 Core - 3x(1x500)
Bushing / Terminal	3 x M12	3 x M16
Cross Section Cable max.	120	500
Cable Mechanical Protection	Armoured and non armoured	
Fault Level	25 kA for 0,25s (with min.120 mm ² section cable)	30 kA for 0,25s (with min.120 mm ² section cable)
Fault Level (peak)	65 kA (with min.120 mm ² section cable)	78 kA (with min.120 mm ² section cable)
Protection Level		IP 66
Bushing / Terminal		
M12		M16
		



- Notes:
- All the dimensions are in millimeters.
 - Please, do not use these dimensions for construction.
 - Certified drawings under request.
 - For other special executions please refer to us.
 - The dimensions shown are subject to change without prior notice.

MAIN SUPPLY TERMINAL BOXES


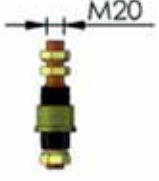
Standard Terminal Box for Flameproof Motors - G(D) - Ex de I / Ex de IIB/C		
Terminal Box: CEFGH 340		
Medium Voltage: 1100 V < V ≤ 6600 V		
Grounding	Quant.	2
	Cable Max.	185 mm ²
	Material	Stainless Steel
	I ≤ 315 A	315 A < I ≤ 400 A
Entrance Holes	1 x M63 x 1,5	3 x M63 x 1,5
Cable Type	3 Core - 1x(3x95)	1 Core - 3x(1x150)
Bushing / Terminal	3 x M12	3 x M16
Cross Section Cable max.	95	150
Cable Mechanical Protection	Armoured and non armoured	
Fault Level	25 kA for 0,25s (with min.120 mm ² section cable)	30 kA for 0,25s (with min.120 mm ² section cable)
Fault Level (peak)	65 kA (with min.120 mm ² section cable)	78 kA (with min.120 mm ² section cable)
Protection Level	IP 66	
Bushing / Terminal		
M12		M16
		

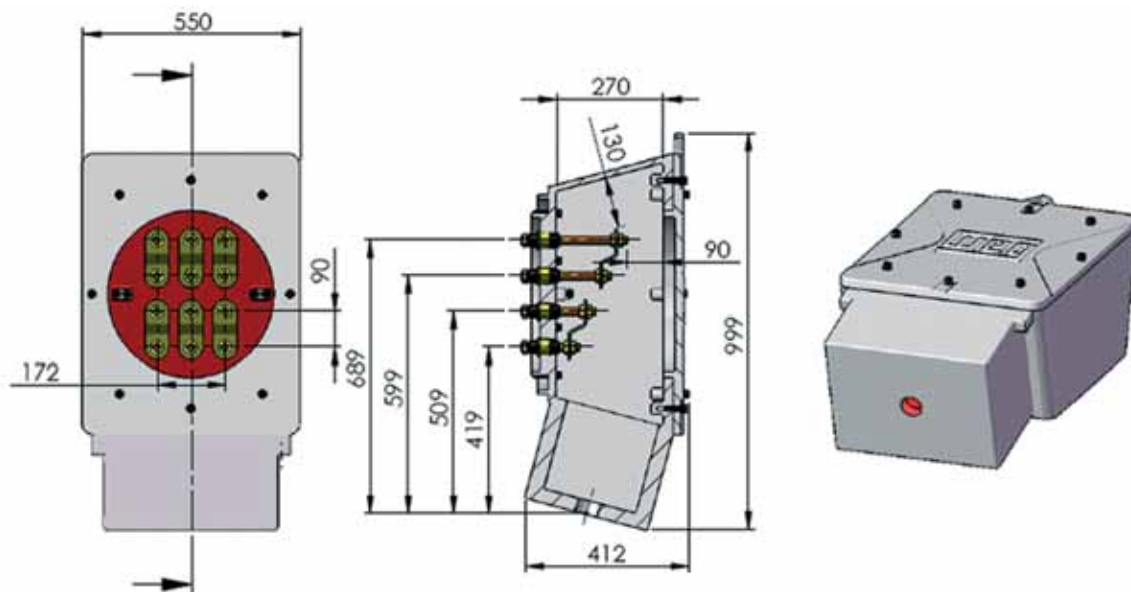


- Notes: - All the dimensions are in millimetres.
 - Please, do not use these dimensions for construction.
 - Certified drawings under request.
 - For other special executions please refer to us.
 - The dimensions shown are subject to change without prior notice.



MAIN SUPPLY TERMINAL BOXES

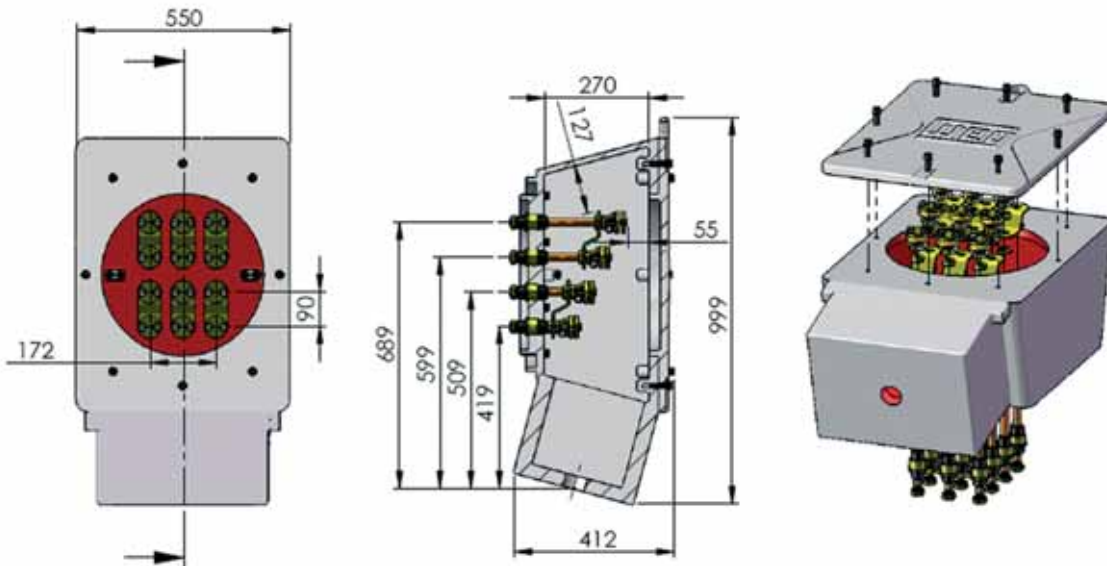
Standard Terminal Box for Flameproof Motors - G(D) - Ex d I / Ex d IIB/C		
Terminal Box: CEFGH 500		
Low Voltage: ≤ 1100 V		
Grounding	Quant.	2
	Cable Max.	185 mm ²
	Material	Stainless Steel
	1090 A < I \leq 1385 A	1385 A < I \leq 1900 A
Entrance Holes	4 x M63 x 1,5	4 x M63 x 1,5
Cable Type	3 Core - 3x(3x300+1G150)	3 Core - 4x(3x300+1G150)
Bushing / Terminal	12 x M16	12 x M20
Cross Section Cable max.	300	300
Cable Mechanical Protection	Armoured and non armoured	
Fault Level	-	-
Fault Level (peak)	-	-
Protection Level		IP 66
Bushing / Terminal		
M16		M20
		



- Notes:
- All the dimensions are in millimeters.
 - Please, do not use these dimensions for construction.
 - Certified drawings under request.
 - For other special executions please refer to us.
 - The dimensions shown are subject to change without prior notice.

MAIN SUPPLY TERMINAL BOXES



Standard Terminal Box for Flameproof Motors - G(D) - Ex de I / Ex de IIB/C		
Terminal Box: CEFGH 500		
Low Voltage: ≤ 1100 V		
Grounding	Quant.	2
	Cable Max.	185 mm ²
	Material	Stainless Steel
	1090 A < I ≤ 1385 A	1385 A < I ≤ 1900 A
Entrance Holes	4 x M63 x 1,5	4 x M63 x 1,5
Cable Type	3 Core - 4x(3x150+1G90)	3 Core - 4x(3x300+1G150)
Bushing / Terminal	12 x M16	12 x M20
Cross Section Cable max.	150	300
Cable Mechanical Protection	Armoured and non armoured	
Fault Level	-	-
Fault Level (peak)	-	-
Protection Level		IP 66
Bushing / Terminal		
M16		M20

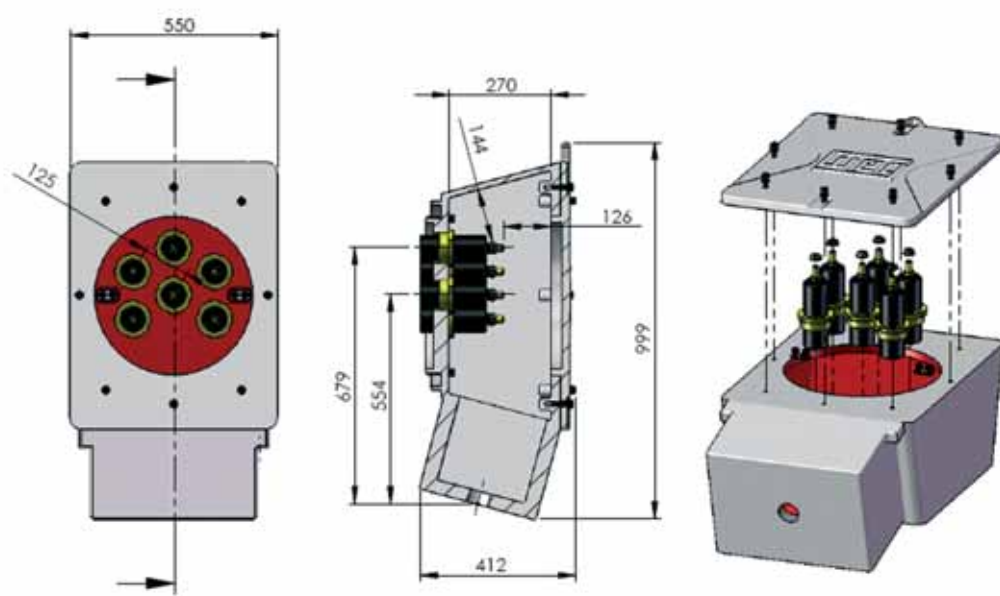
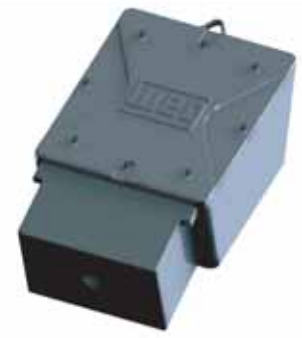


- Notes: - All the dimensions are in millimeters.
 - Please, do not use these dimensions for construction.
 - Certified drawings under request.
 - For other special executions please refer to us.
 - The dimensions shown are subject to change without prior notice.





MAIN SUPPLY TERMINAL BOXES

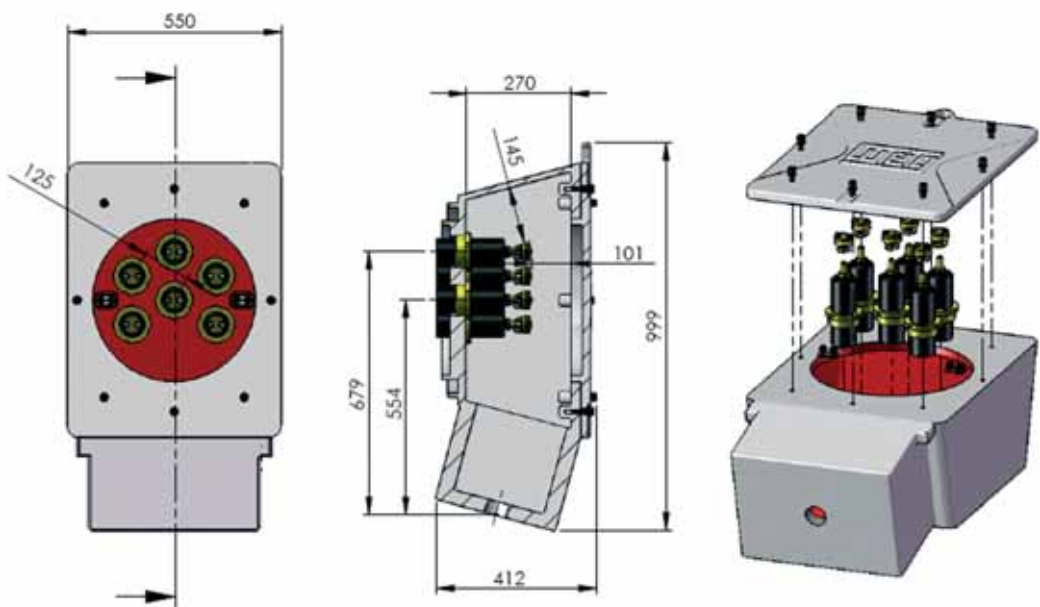
Standard Terminal Box for Flameproof Motors - G(D) - Ex d I / Ex d IIB/C		
Terminal Box: CEFGH 500		
Medium Voltage: 1100 V < V ≤ 6600 V		
Grounding	Quant.	2
	Cable Max.	185 mm ²
	Material	Stainless Steel
	400 A < I ≤ 630 A	630 A < I ≤ 800 A
Entrance Holes	3 x M63 x 1,5	3 x M63 x 1,5
Cable Type	1 Core - 3x(1x500)	1 Core - 3x(1x500)
Bushing / Terminal	6 x M12	6 x M16
Cross Section Cable max.	500	500
Cable Mechanical Protection	Armoured and non armoured	
Fault Level	25 kA for 0,25s (with min. 120 mm ² section cable)	30 kA for 0,25s (with min. 120 mm ² section cable)
Fault Level (peak)	65 kA for 0,25s (with min. 120 mm ² section cable)	78 kA for 0,25s (with min. 120 mm ² section cable)
Protection Level		IP 66
Bushing / Terminal		
M12		M16
		



- Notes:
- All the dimensions are in millimeters.
 - Please, do not use these dimensions for construction.
 - Certified drawings under request.
 - For other special executions please refer to us.
 - The dimensions shown are subject to change without prior notice.

MAIN SUPPLY TERMINAL BOXES



Standard Terminal Box for Flameproof Motors - G(D) - Ex de I / Ex de IIB/C		
Terminal Box: CEF GH 500		
Medium Voltage: 1100 V < V ≤ 6600 V		
Grounding	Quant.	2
	Cable Max.	185 mm ²
	Material	Stainless Steel
	400 A < I ≤ 630 A	630 A < I ≤ 800 A
Entrance Holes	3 x M63 x 1,5	3 x M63 x 1,5
Cable Type	3 Core - 2x(3x95)	3 Core - 2x(3x120)
Bushing / Terminal	6 x M12	6 x M16
Cross Section Cable max.	95	120
Cable Mechanical Protection	Armoured and non armoured	
Fault Level	25 kA for 0,25s (with min. 120 mm ² section cable)	30 kA for 0,25s (with min. 120 mm ² section cable)
Fault Level (peak)	65 kA for 0,25s (with min. 120 mm ² section cable)	78 kA for 0,25s (with min. 120 mm ² section cable)
Protection Level		IP 66
Bushing / Terminal		
M12		M16
		

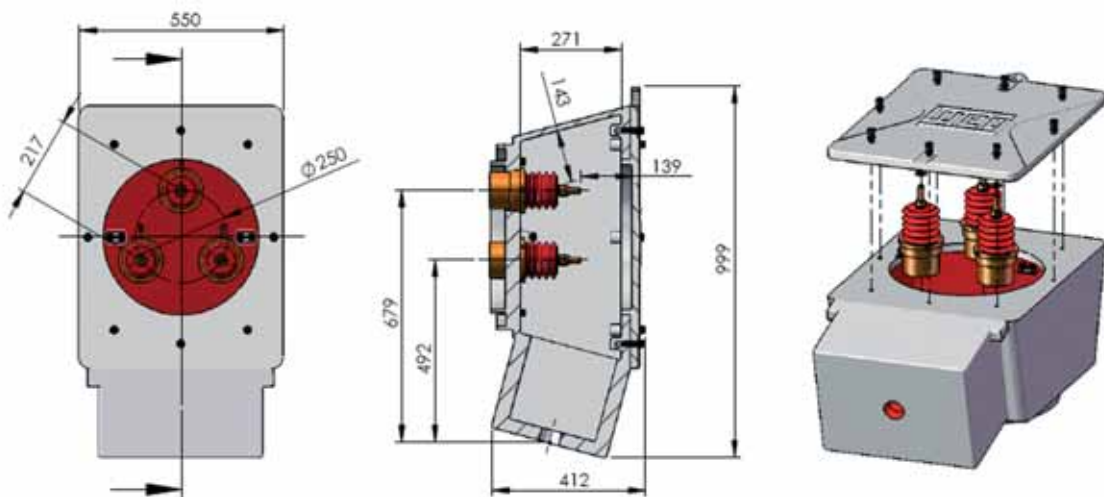


Notes: - All the dimensions are in millimeters.
 - Please, do not use these dimensions for construction.
 - Certified drawings under request.
 - For other special executions please refer to us.
 - The dimensions shown are subject to change without prior notice.



MAIN SUPPLY TERMINAL BOXES

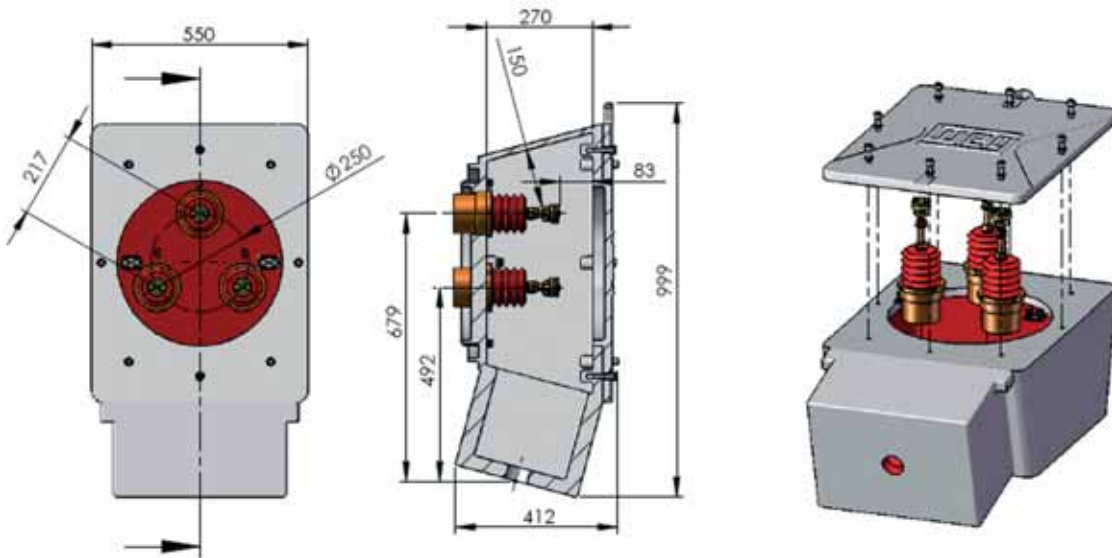
Standard Terminal Box for Flameproof Motors - G(D) - Ex d I / Ex d IIB/C		
Terminal Box: CEFGH 500		
High Voltage: 6600 V < V ≤ 11000 V		
Grounding	Quant.	2
	Cable Max.	185 mm ²
	Material	Stainless Steel
	I ≤ 200 A	200 A < I ≤ 400 A
Entrance Holes	1 x M63 x 1,5	3 x M50 x 1,5
Cable Type	3 Core - 1x(3x50)	1 Core - 3x(1x400)
Bushing / Terminal	3 x M16	3 x M16
Cross Section Cable max.	50	400
Cable Mechanical Protection	Armoured and non armoured	
Fault Level	30 kA for 0,25s (with min. 120 mm ² section cable)	
Fault Level (peak)	78 kA (with min. 120 mm ² section cable)	
Protection Level	IP 66	
Bushing / Terminal		
M16		
		
		



- Notes:
- All the dimensions are in millimeters.
 - Please, do not use these dimensions for construction.
 - Certified drawings under request.
 - For other special executions please refer to us.
 - The dimensions shown are subject to change without prior notice.

MAIN SUPPLY TERMINAL BOXES

Standard Terminal Box for Flameproof Motors - G(D) - Ex de I / Ex de IIB/C		
Terminal Box: CEFGH 500		
High Voltage: 6600 V < V ≤ 11000 V		
Grounding	Quant.	2
	Cable Max.	185 mm ²
	Material	Stainless Steel
Entrance Holes	I ≤ 200 A	200 A < I ≤ 400 A
	1 x M63 x 1,5	3 x M50 x 1,5
Cable Type	3 Core - 1x(3x50)	1 Core - 3x(1x150)
Bushing / Terminal	3 x M16	3 x M16
Cross Section Cable max.	50	150
Cable Mechanical Protection	Armoured and non armoured	
Fault Level	30 kA for 0,25s (with min. 120 mm ² section cable)	
Fault Level (peak)	78 kA (with min. 120 mm ² section cable)	
Protection Level		IP 66
Bushing / Terminal		
M16		




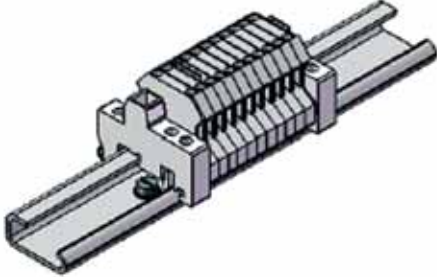
- Notes:
- All the dimensions are in millimeters.
 - Please, do not use these dimensions for construction.
 - Certified drawings under request.
 - For other special executions please refer to us.
 - The dimensions shown are subject to change without prior notice.

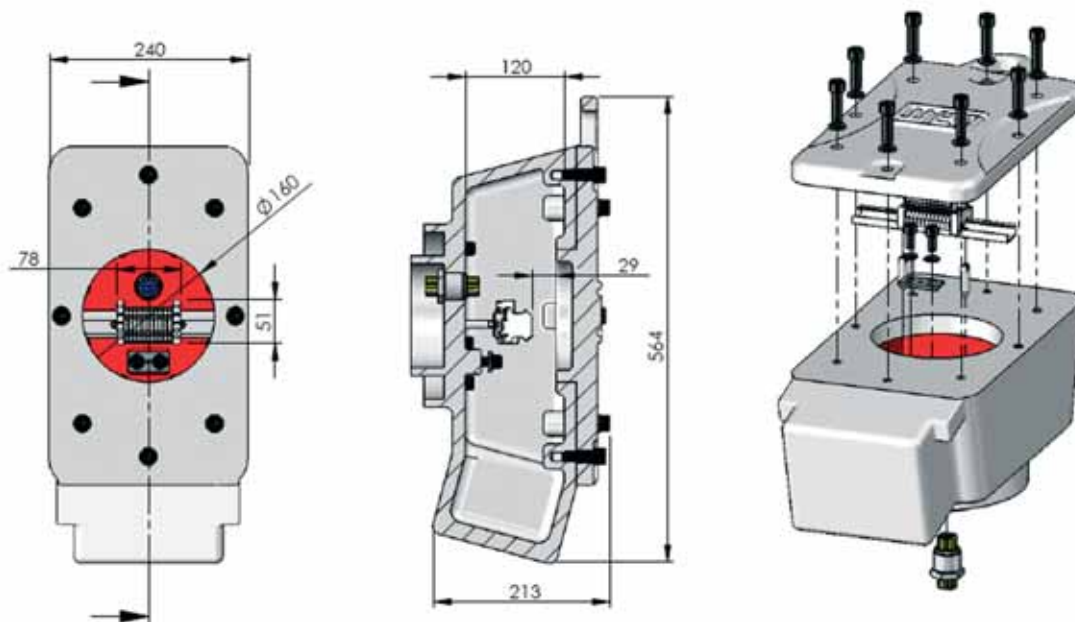


2.5.2 AUXILIARY TERMINAL BOXES

Auxiliary Terminal Box for Flameproof Motors G/D - Ex d(e) I / Ex d(e) IIB/C	
Terminal Box: CEF GH 220	
Grounding	
Quant.	2
Cable Max.	185 mm ²
Material	Stainless Steel
Technical data:	
Voltage (max.)	800 V
Current (max.)	24 A
Cross section of cables (max.)	2,5 mm ² /cable
Max. number of connectors	32
Protection Level	IP 66
Terminal Connection	




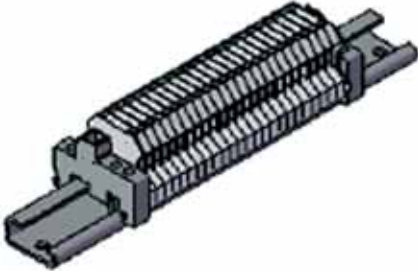
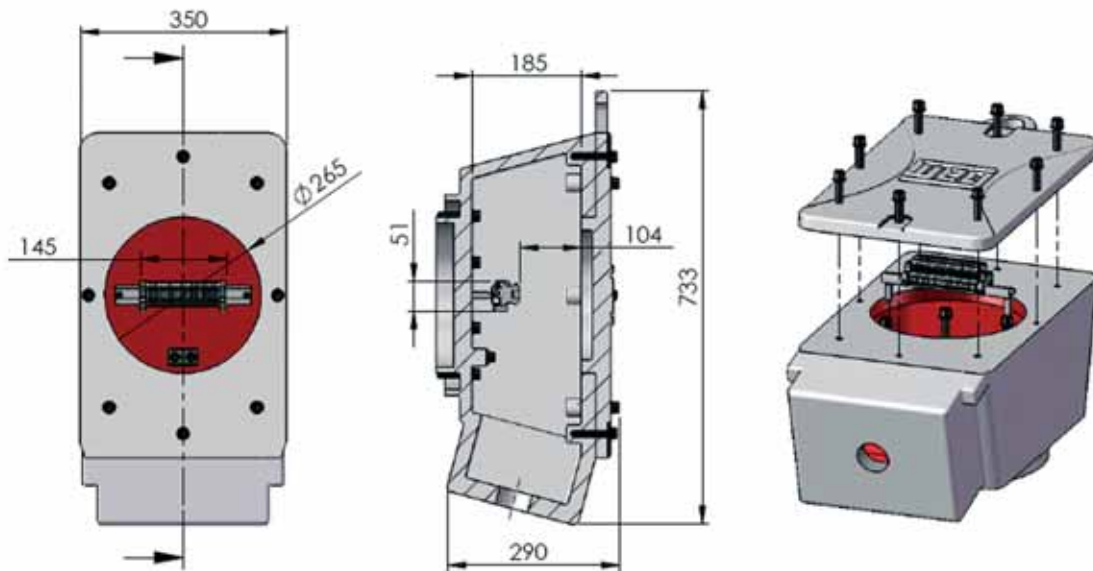




- Notes:
- All the dimensions are in millimeters.
 - Please, do not use these dimensions for construction.
 - Certified drawings under request.
 - For other special executions please refer to us.
 - The dimensions shown are subject to change without prior notice.

AUXILIARY TERMINAL BOXES

Auxiliary Terminal Box for Flameproof Motors G/D - Ex d(e) I / Ex d(e) IIB/C	
Terminal Box: CEF GH 340	
Grounding	
Quant.	2
Cable Max.	185 mm ²
Material	Stainless Steel
Technical data:	
Voltage (max.)	800 V
Current (max.)	24 A
Cross section of cables (max.)	2,5 mm ² /cable
Max. number of connectors	50
Protection Level	IP 66
Terminal Connection	



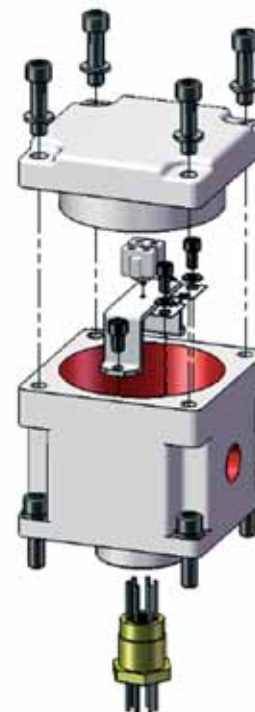
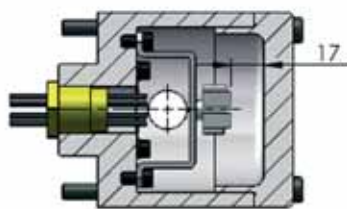
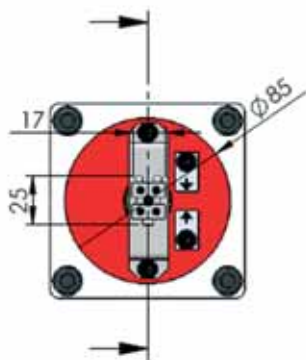




- Notes:
- All the dimensions are in millimeters.
 - Please, do not use these dimensions for construction.
 - Certified drawings under request.
 - For other special executions please refer to us.
 - The dimensions shown are subject to change without prior notice.



AUXILIARY TERMINAL BOXES

Space Heater Terminal Box for Flameproof Motors G/D - Ex d(e) I / Ex d(e) IIB/C	
Terminal Box: CG47	
Grounding	
Quant.	2
Cable Max.	4 mm ²
Material	Stainless Steel
Technical data:	
Voltage (max.)	440 V
Current (max.)	23 A
Cross section of cables (max.)	2,5 mm ² /cable
Connectors	2
Protection Level	IP 66
Terminal Connection	

- Notes:
- All the dimensions are in millimeters.
 - Please, do not use these dimensions for construction.
 - Certified drawings under request.
 - For other special executions please refer to us.
 - The dimensions shown are subject to change without prior notice.

2.6 BEARINGS INFORMATION

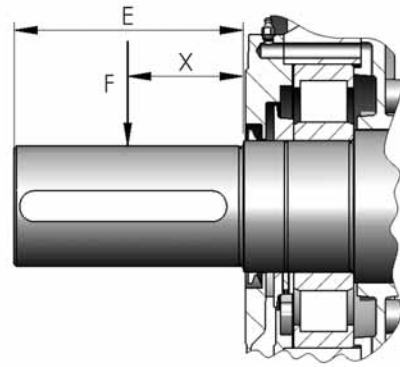
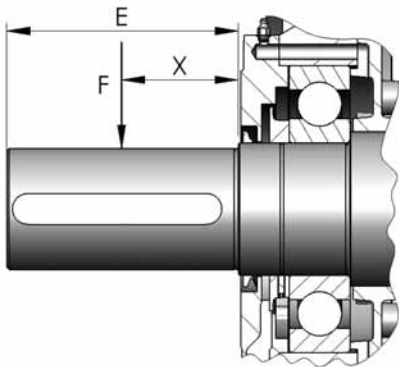
The information given is for the new BFG(C)8 and W22XB(C) motors series.

2.6.1 BEARINGS ARRANGEMENTS AND PERMISSIBLE LOADS ON SHAFTS

The table indicates the maximum permissible radial loads in N based on foot-mounted motors IM1001(B3) with load perpendicular to motor shaft axis as shown in figure below. In the case of simultaneous radial and axial loads, please refer to us.

PERMISSIBLE RADIAL BEARING LOAD

The indicated values are calculated based on bearings lifetime of 40.000 hours and for the solutions:
 - Ball bearings with shaft material C45E (standard)
 - Roller bearings with 42CrMo4 (optional)



Motor	Polarity	Ball Bearings - Standard						Roller Bearings - Optional					
		Bearings		E [mm]	X [mm]	Shaft material	Maximum Load F [N]	Bearings		E [mm]	X [mm]	Shaft material	Maximum Load F [N]
		DE	NDE					DE	NDE				
W22X(B/C) 355MLJ	2P	6316C3	6316C3	140	70	C45E	2400	NU316C3	6316C3	140	70	42CrMo4	13000
	4P	6322C3	6322C3	210	105		4000	NU322C3	6322C3	210	105		27000
	6P						4500						30000
	8P						5300						34000
BFG(C)8 400LJ	2P	6318C3	6318C3	170	85	C45E	2000	Under Request				42CrMo4	-
	4P	6324C3	6324C3	210	105		3300	NU324C3	6324C3	210	105		26900
	6P						4000						33000
	8P						4500						36000
BFG(C)8 400G	2P	6318C3	6318C3	170	85	C45E	1200	Under Request				42CrMo4	-
	4P	6324C3	6324C3	210	105		2500	NU324C3	6324C3	210	105		25000
	6P						2800						27000
	8P						3000						29000
BFG(C)8 450KH	2P	N218C3 + 6218C3	N218C3	170	85	C45E	-	N218C3 + 6218C3	N218C3	170	85	42CrMo4	-
	4P	6326C3	6326C3	210	105		5300	NU326C3	6326C3	210	105		30000
	6P						5700						35000
	8P						6000						38000
W22X(B/C) 500KH	2P	NU220C3 + 6020C3	NU220C3	170	85	C45E	-	NU220C3 + 6220C3	NU220C3	170	85	42CrMo4	-
	4P	6328C3	6328C3	250	125		4000	NU328C3	6328C3	250	125		20000
	6P						5000						24000
	8P						5700						26000

The maximum permissible loads are also valid for Mines Flameproof Motors. For any other special execution, higher load or different points of application, please refer to us.

2.6.2 BEARINGS LUBRICATION INTERVALS

In the following tables are defined the lubrication intervals and quantity of grease, needed to ensure the correct bearings lubrication at standard working conditions:

- Grease Polyrex EM103;
- Ambient temperature: From -20°C up to 40°C;
- Bearing lifetime: 40.000 hours.
- Frequency: 50Hz

Horizontal Motors

Standard Construction

Motor	Polarity	DE Bearings	Lubrication interval [h]	Quant. [g]	NDE Bearings	Lubrication interval [h]	Quant. [g]
W22X(B/C) 355MLJ	2P	6316C3	3300	33	6316C3	3300	33
	4P	6322C3	6000	60	6322C3	6000	60
	6P		9900			9900	
	8P		12700			12700	
BFG(C)8 400LJ	2P	6318C3	2500			41	
	4P	6324C3	5400	72	6324C3	5400	72
	6P		9100			9100	
	8P		11900			11900	
BFG(C)8 400G	2P	6318C3	2500			41	
	4P	6324C3	5400	72	6324C3	5400	72
	6P		9100			9100	
	8P		11900			11900	
BFG(C)8 450KH	2P	N218C3 + 6218C3	1200			48	
	4P	6326C3	4700	81	6326C3	4700	81
	6P		8400			8400	
	8P		11200			11200	
W22X(B/C) 500KH	2P	NU220C3 + 6020C3	1000			31/18*	
	4P	6328C3	4200	93	6328C3	4200	93
	6P		7700			7700	
	8P		10500			10500	

(*) Two grease nipples

Vertical Motors

Standard Construction

Motor	Polarity	DE Bearings	Lubrication interval [h]	Quant. [g]	NDE Bearings	Lubrication interval [h]	Quant. [g]
W22X(B/C) 355MLJ	2P	7316	1650	33	6316C3	3300	33
	4P	7322	3000	60	6322C3	6000	60
	6P		4950			9900	
	8P		6350			12700	
BFG(C)8 400LJ	2P	7318	1250			41	
	4P	7324	2700	72	6324C3	5400	72
	6P		4550			9100	
	8P		5950			11900	
BFG(C)8 400G	2P	7318	1250			41	
	4P	7324	2700	72	6324C3	5400	72
	6P		4550			9100	
	8P		5950			11900	
BFG(C)8 450KH	2P	-	-			-	
	4P	7326	2350	81	6326C3	4700	81
	6P		4200			8400	
	8P		5600			11200	
W22X(B/C) 500KH	2P	-	-			-	
	4P	7328	2100	93	6328C3	4200	93
	6P		3850			7700	
	8P		5250			10500	

Horizontal Motors

Optional construction - solution with roller bearings at Drive End.

Motor	Polarity	DE Bearings	Lubrication interval [h]	Quant. [g]	NDE Bearings	Lubrication interval [h]	Quant. [g]
W22X(B/C) 355MLJ	2P	NU316C3	1100	33	6316C3	3300	33
	4P	NU322C3	2900	60	6322C3	6000	60
	6P		6100			9900	
	8P		8800			12700	
BFG(C)8 400LJ	4P	NU324C3	2400			72	
	6P		5400	9100			
	8P		8000	11900			
	BFG(C)8 400G	4P	NU324C3	2400	72		6324C3
6P		5400		9100			
8P		8000		11900			
BFG(C)8 450KH		4P	NU326C3	2000		81	
	6P	4700		8400			
	8P	7300		11200			
	W22X(B/C) 500KH	4P	NU328C3	1700	93		6328C3
6P		4200		7700			
8P		6600		10500			

Notes: - The indicated values are given either to the standard (ball bearings) and optional (roller bearings) constructions.
- For other working conditions or temperatures, please refer to us.

3. LOW VOLTAGE MOTORS FOR HAZARDOUS AREAS

Flameproof - BFG Series

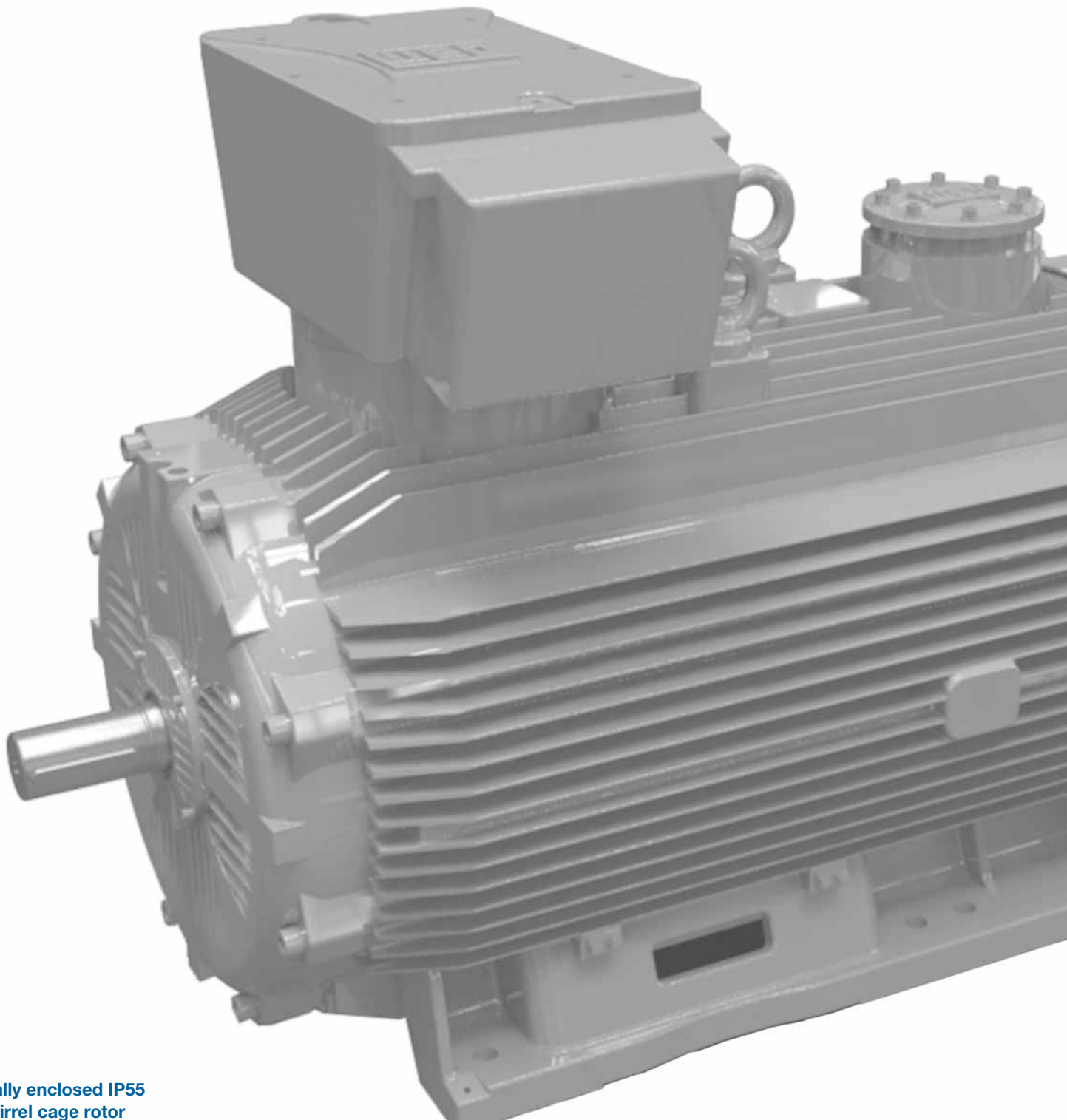
Flameproof - BFGC Series

Flameproof - W22XB / BFG8 Series

Flameproof - W22XC / BFGC8 Series

Flameproof - W22XM / BFGM8 Series

Non Sparking - BFN Series



**Totally enclosed IP55
Squirrel cage rotor**

3.1 LOW VOLTAGE FLAMEPROOF MOTORS BFG6 / BFGC3 / BFGC4 AND BFGC8 (71-225)

3.1.1 PRODUCT SPECIFICATION - ALL BFG(C) SERIES

■ Range

The present catalogue refers to TEFC Flameproof, Low Voltage, three phase, squirrel cage induction motors, ribbed frames, **BFGC** series with shaft height from 71 to 400 mm, and **BFG** series with shaft height 355, 400 and 450 mm, with the following powers:

Motor series BFGC (IIC)		Motor series BFG (IIB)	
KW	RPM	KW	RPM
0,37 up to 500 kW	3000 RPM	250 up to 710 kW	3000 RPM
0,25 up to 560 kW	1500 RPM	250 up to 900 kW	1500 RPM
0,18 up to 500 kW	1000 RPM	200 up to 710 kW	1000 RPM
0,12 up to 450 kW	750 RPM	160 up to 630 kW	750 RPM

This range of motors up to 90kW 2 and 4 Pole comply with efficiency classification EFF2 as established between CEMEP and European Community.

■ Particular specifications and standards related to hazardous areas

The motor series **BFG** and **BFGC** comply with European Standards listed on paragraph 1.2.2, and are suitable for the following Groups of Gases and Temperature Classes:

- motor series **BFGC**: Gases of group **IIC**, and temperature class **T4**
- motor series **BFG**: Gases of group **IIB**, and temperature class **T4**

Under request, are available other temperature classes.

These motor series have the **CE** marking in compliance with European Directive 94/4/EC (ATEX), and are classified as equipment **Group II** (Surface Industries), suitable to use on the following zones:

- category **2**, for Zones **1** and **2** – Gases and Vapours (**G**), frame sizes up to **225** included.
- category **2**, for Zones **1** and **21** – Gases, Vapours and Dust (**GD**), frame sizes **250** and above.
- category **3**, for Zones **2** and **22** – Gases, Vapours and Dust (**GD**), frame sizes **250** and above.

Special design to suit Zone **21** will be available on request.

As standard execution, the motors are fitted with flameproof terminal boxes for gases of **Group IIB** or **IIC**, with specification code **Ex d, IIB** or **Ex d, IIC**. Under request and as an alternative execution, these motors can be fitted with an Increased Safety terminal box. In this case the description code is **Ex de, IIB** or **Ex de, IIC**.

The flameproof motors in this catalogue are certified according to the above standards, by the Notified Bodies ISSEP (formerly INIEX) in Belgium, PTB in Germany and INERIS in France all accredited organizations by EU.

■ Construction

- Mechanical protection: IP 55.
- Insulation: Class F
- Temperature rise: 80 K.
- Frames: are in **cast iron**.
- Terminal boxes: are in cast iron.
- Endshields: are in cast iron.
- Fans:
 - Up to frame size 315 are in **polypropylene**.
 - On frames 355 and above, are in **polypropylene, aluminium alloy or fabricated steel**.
- Fan cover: in **cast iron** or **pressed steel**, capable to withstand impact of 7 Joule.
- Finish: industrial paint system, standard **color RAL 5010 (IIB)** and **RAL 7001 (IIC)**.

■ Voltage and frequency

■ Frame sizes up to 315 included:

As standard, these motors are wound to operate on the following voltage range:

Δ 230 V - 50Hz | Up to and including 2,2 kW (*)
Y 400 V - 50Hz

Δ 400 V - 50Hz For powers 3 kW and above
(*) – under request available higher outputs

The electrical data described in the present catalogue, is based on the standard supply voltages shown above. Depending on actual supply voltages/frequencies, this data may vary slightly but the variations will generally remain within the tolerances given by **IEC 60034-1**.

■ Frame sizes 355 and above:

These motors are spot wound for fixed voltage and frequency. The electrical data presented in this catalogue refers to 400V, 50Hz.

For both cases, and under request, are available voltages up to 690V, and frequencies 50 or 60Hz

■ Basic design

■ Cooling method:

IC 411 in accordance with standard IEC 60034-6 - motors cooled by an external fan.

■ Detachable feet and flanges:

Motors frame sizes 71 up to 160 have detachable feet and flanges from the motor frame, allowing stock modifications from foot to flange, or to foot and flange, without to disassemble the motor. On frame sizes between 71 and 90, all flanges either B5 or B14 are interchangeable.

■ **Direction of rotation:**

On frame sizes up to 315 (all speeds) and frames 355/400 (4 pole and above), as standard the motors are fitted with a bi-directional fan.

On remaining frames the fans are unidirectional, leaving the factory as standard on CW direction viewed from shaft end with the phase sequence of U, V, and W. In these cases the direction of rotation must be specified with order.

■ **Electrical connection:**

The terminal boxes are provided with 6 terminals, to connect the motors to the mains supply, allowing the star/delta starting for powers 3kW and above.

■ **Terminal boxes:**

On **BFGC** motors frame sizes 80 up to 225, the main terminal box is located on top of motor frame, allowing rotation of every 90° to suit cable entry from 4 directions.

The **BFGC4** motors and on **BFG** motors, the main terminal box is located at top of motor frame and can be rotated by 180° to suit cable entry from left or right hand side.

On **BFGC3** motors, as standard, the main terminal box is located on right hand side, with option of left hand side.

As standard, the supply cable entries are on the right hand side when viewed from shaft end.

The motors frame 71 have the terminal box on fixed position on top, with cable entry orientated to N.D.E. direction.

Note: customer shell refer cable entry direction with order.

■ **Protections/Auxiliaries:**

As standard the **BFG** and **BFGC** motors are fitted with 3 PTC thermistors, (triple, 2 wire), connected in the main terminal box. Under request the motors can be fitted with anti-condensation heaters, or other type of protections on windings and connected into auxiliary terminal box.

On **BFGC3** Series (frames 315-400), the auxiliary terminal box is located on opposite side of mains terminal box.

When thermal protections on bearings are required, the connections are made in two individual auxiliary terminal boxes located on D.E and N.D.E side as standard configuration.

It is also possible as option, to have these protections connected into a single auxiliary terminal box used for other protections/auxiliaries.

■ **Earth connection:**

All motors are equipped with an earth screw inside of terminal box. A second external earth connection is also provided on motor frame, on foot or on flange, depending on mounting form.

■ **Terminal box entries and cable glands:**

As standard, the motors are not supplied with cable glands and the number of entry holes and respective dimensions are described on outline dimensions tables. However, considering that the cable entry makes part of the protection enclosure it is recommended that the motors are supplied from factory fitted with cable glands. For this it is necessary to specify with the order the complete cabling details (number of cables, specification, section and diameters), so that the motors can be supplied from factory fitted with suitable glands.

■ **Bearings:**

Up to frame size 225, the motors are equipped on both sides with deep groove ball bearings, sealed for life and pre-loaded by an axial spring washer.

The BFGC motors with frame sizes 250 and above are equipped with a roller bearing on one side and a deep groove ball bearing on the other.

On BFG series, the motors are equipped on both sides with deep groove ball bearings, pre-loaded by an axial spring washer or springs. As optional execution they can be fitted with sleeve bearings.

In the case of pulley/belt drive transmission, the drive end bearing can be replaced by a roller bearing.

On vertical mounting motors, the bearings can be thrust bearing types and are defined according to the axial loads involved on the application.

■ **Lubrication:**

As standard, motors up to frame size 225 have the bearings sealed for life. However under request is available accessible lubrication on frames 160 and above.

For frames 250 and above, the motors are equipped with grease relief valves and relubrication nipples.

■ **Balancing:**

The motors are dynamically balanced with half-key to meet the vibration limits of standard **IEC 60034-14, Grade A**. **Grade B** can be provided under request.

On frames 315 and above, the D.E. and N.D.E. endshields are designed to fit, under request, optional captors for vibration monitoring detectors or other devices.

Note: Full standard and optional features are detailed on paragraph 2.3



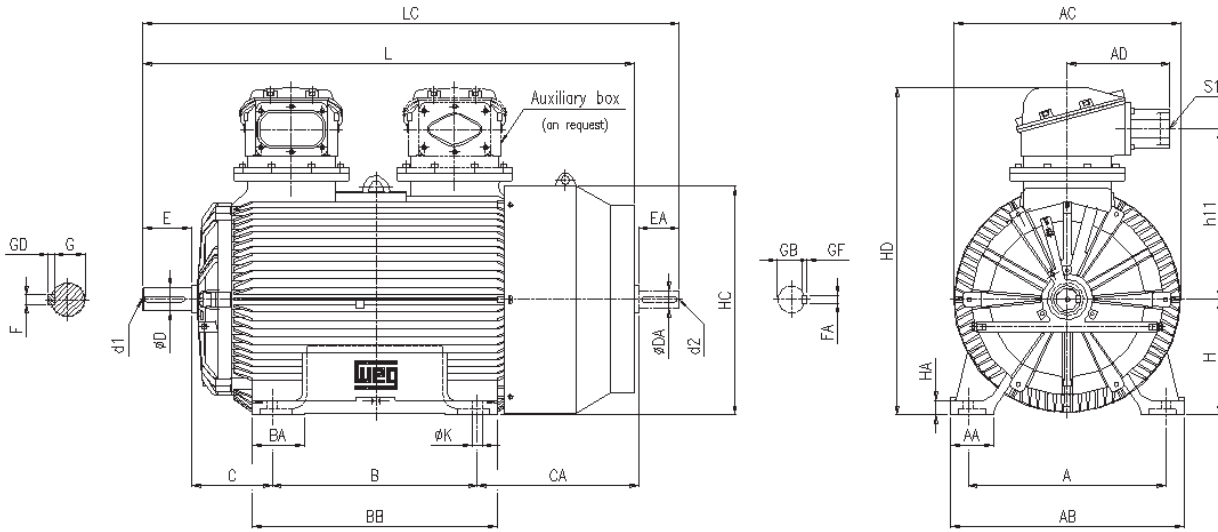
3.1.4 OUTLINE DIMENSIONS - BFG6 SERIES

IIB T4

Flameproof Motors - Ex d IIB T4 (Ex tD A21 IP6X T 135°C)

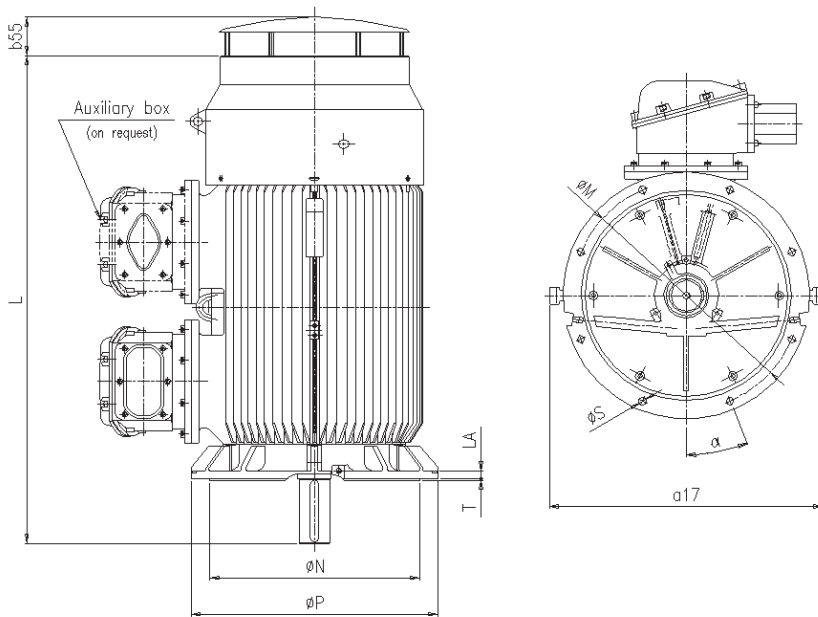
Low Voltage

Flameproof Motors with Increased Safety Terminal Box - Ex de IIB T4 (Ex tD A21 IP6X T 135°C)



Frame	A	AA	AB	AC	AD	B	BA	BB	C	CA	Shaft dimensions										H	HA	HC	HD	H11	K	L	LC	S1	d1	d2	Bearings				
											D	E	F	G	GD	DA	EA	FA	GB	GF												D.E.	N.D.E.			
355MLJ (1)	610	130	730	705		560	170	920	254	515	100m6	210	28	90	16	80m6	170	22	71	14		355	45	707,5	1051	555	28	1764	1949	2xM63x1,5 + 1xM63x1,5	DS M24	DS M20	6222 C3	6219 C3		
355MLJ (2)						800					75m6	140	20	67,5	12	60m6	140	18	53	11																
400L (1)						710		850			100m6	210	28	100	16	80m6	170	22	71	14								1745	1930	DS M24	DS M20		6324 C3			
400L (2)											80m6	170	22	71	14	60m6	140	18	53	11							1705	1860								
400J (1)	686	150	810	785,5	356	900	180	1040	280	560	110m6	210	28	100	16	80m6	170	22	71	14		400	50	793	1132	590	35	1935	2110	DS M24	DS M20		6324 C3			
400J (2)											80m6	170	22	71	14	60m6	140	18	53	11							1895	2050								
400 G (1)						1120		1280			110m6	210	28	100	16	80m6	170	22	71	14								2175	2350	DS M24	DS M20		6324 C3			
400G (2)											80m6	170	22	71	14	60m6	140	18	53	11							2135	2290								
450KH (1)	750	180	940	896		900		1310	250	515	120m6	210	32	109	18	100m6	210	28	90	16		450	60	898	1187	596	42	2129	2354	DS M24	DS M20		6326 C3			
450KH (2)						1120	230				85m6	170	22	76	14	75m6	140	20	67,5	12																

NOTES: (1) 1500, 1000 and 750 rpm (2) 3000 rpm (3) or 6222 C3 for 4 poles and plus machines, N.D.E. (4) For 60 Hz please refer to us



Frame	"FF" flange dimensions												
	Flange	L	LA	M	N	P	T	S	α	Nr. holes	a17	b55	
355 MLJ (1)	FF-740	1749	25	740	680	800		24				910	125
355 MLJ (2)		1679											
400 L (1)	FF-940	1730	28	940	880	1000	6	28	22,5°	8		980	131
400 L (2)		1690											
400 J (1)		1920											
400 J (2)		1880											
400 G (1)		2160											
400 G (2)		2120											
450 KH (1)	FF-1080	2118	30	1080	1000	1150						1140	151
450 KH (2)		-											

NOTES: (1) 1500, 1000 and 750 rpm (2) 3000 rpm (See note below)

- Notes: - All the dimensions are in millimeters.
 - For all vertical applications or unusual coupling conditions, the customer shall inform the load figure with the inquiry/order.
 - Construction drawings with guaranteed values are available under request.
 - Shaft dimensions for 2 poles motors, only for direct coupling.
 - For motor frames 450, 2 pole, V1 refer to us.
 - Execution with auxiliary terminal box and second shaft end available on request.
 - "Exde" execution dimensions under request.
 - For vertical mounting, the D.E. bearing is replaced by an angular contact type.
 - The average values shown are subject to change without prior notice.

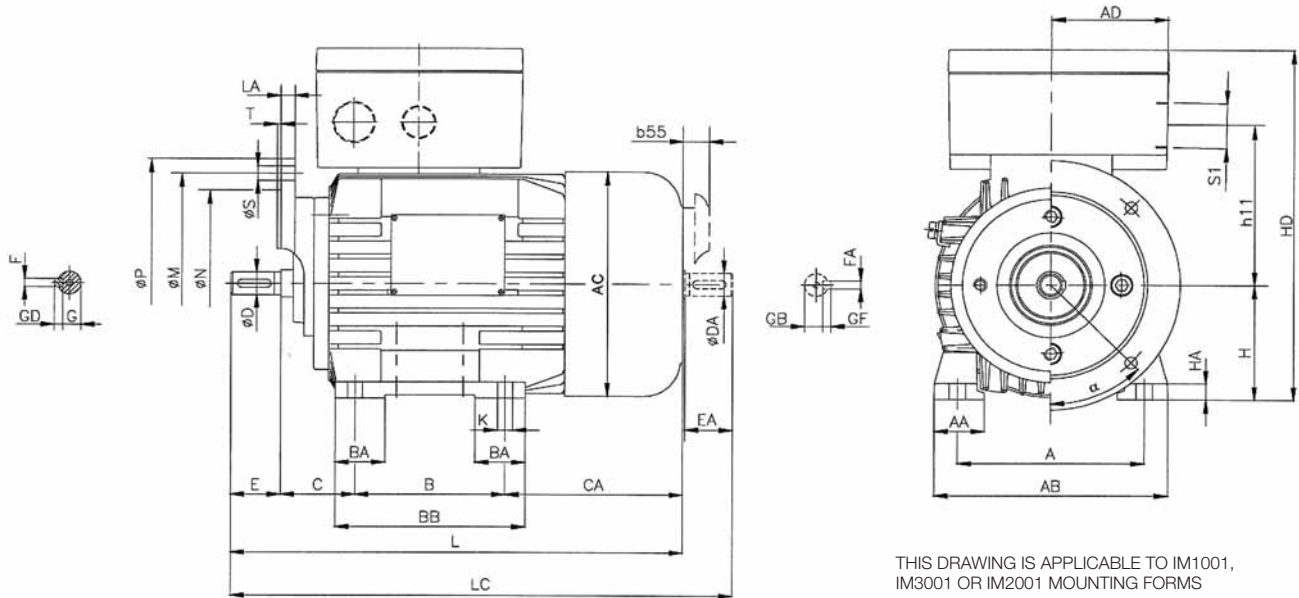
3.1.5 OUTLINE DIMENSIONS - BFGC3 / BFGC4 / BFGC8 (71-225) SERIES

IIC T4

Flameproof Motors - Ex d IIC T4
 Flameproof Motors with Increased Safety Terminal Box - Ex de IIC T4

Low Voltage

BFGC8 IMB3T; IMB5; IMV1



Frame	A	AA	AB	AC	AD	B	BA	BB	C	CA	Shaft Dimensions										H	HA	HD	h1	K	L	LC	S1	d1	d2	Bearings	
											D	E	F	G	GD	DA	EA	FA	GB	GF											D.E.	N.D.E.
71	112	30	140	139	-	90	30	114	45	106	14	30	5	11	5	14	30	5	11	5	71	218	218	9	271	307	M5	M5	6203	6203		
80	125	32	160	157	-	100	35	130	50	127	19	40	6	16	6	19	40	6	15.5	6	80	249	249	10	317	362	M6	M6	6204	6204		
90S	140	35	180	177	-	125	60	155	56	129	24	50	8	20	7	24	50	8	20	7	90	271	271	10	360	415	M8	M8	6205	6205		
90L	140	35	180	177	-	125	60	155	56	129	24	50	8	20	7	24	50	8	20	7	90	271	271	10	360	415	M8	M8	6205	6205		
100L	160	45	205	195	79	140	45	175	63	153	28	60	8	24	7	28	60	8	24	7	100	17	288	153	416	481	M10	M10	6206	6206		
112M	190	50	235	219	79	140	45	180	70	168	28	60	8	24	7	28	60	8	24	7	112	15	311	149	438	504	M10	M10	6206	6206		
132S	216	55	266	258	79	140	45	180	70	168	28	60	8	24	7	28	60	8	24	7	112	15	311	149	438	504	M10	M10	6206	6206		
132M	216	55	266	258	79	178	75	218	89	187	38	80	10	33	8	38	80	10	33	8	132	18	350	181	534	619	M12	M12	6208	6208		
160M	254	60	312	310	144	210	90	300	108	239	42	110	12	37	8	42	110	12	37	8	160	18	436	181	667	785	M16	M16	6309	6309		
160L	254	60	312	310	144	254	90	300	108	239	42	110	12	37	8	42	110	12	37	8	160	18	436	181	667	785	M16	M16	6309	6309		
180M	279	70	348	352	99	241	80	295	121	249	48	110	14	42	9	48	110	14	42	9	180	21	492	260	721	841	M16	M16	6310	6310		
180L	279	70	348	352	99	279	80	333	121	250	48	110	14	42	9	48	110	14	42	9	180	21	492	260	761	881	M16	M16	6310	6310		
200L	318	80	398	392	128	305	90	395	133	269	55	110	16	49	10	55	110	16	49	10	200	21	543	285	817	937	M20	M20	6312	6312		
225S	356	80	436	438	128	286	90	346	149	248	60	140	18	53	11	60	140	18	53	11	225	21	593	285	823	973	M20	M20	6313	6313		
225M (1)	356	80	436	438	128	311	90	371	149	283	55	110	16	49	10	55	110	16	49	10	225	21	593	285	883	1033	M20	M20	6313	6313		
225M (2)	356	80	436	438	128	311	90	371	149	283	55	110	16	49	10	55	110	16	49	10	225	21	593	285	853	973	M20	M20	6313	6313		

NOTES: (1) 1500, 1000 and 750 rpm (2) 3000 rpm

Frame	"FF" Flange Dimensions										Nr. holes
	Flange	LA	M	N	P	T	S	a	b55		
71	FF-130	10	130	110	160	3.5	9	45°	21	4	
80	FF-165	10	165	130	200	3.5	12	23			
90S/L	FF-165	10	165	130	200	3.5	12	30			
100L	FF-215	11	215	180	250	4	14	35			
112M	FF-215	11	215	180	250	4	14	35			
132S/M	FF-265	16	265	230	300	5	18	35			
160M/L	FF-300	19	300	250	350	5	18	35			
180M/L	FF-350	15	350	300	400	5	18	58			
200L	FF-350	15	350	300	400	5	18	64			
225S	FF-400	18	400	350	450	5	18	58			
225M (1)	FF-400	18	400	350	450	5	18	58	8		
225M (2)	FF-400	18	400	350	450	5	18	58			

- Notes:
- All the dimensions are in millimeters
 - For all vertical applications or unusual coupling conditions, the customer shall inform the load figure with the inquiry/order.
 - Construction drawings with guaranteed values are available under request.
 - Shaft dimensions for 2 pole motors, only for direct coupling
 - Execution with second shaft end available on request
 - 'Ex de' execution dimensions under request
 - The average values shown are subject to change without prior notice

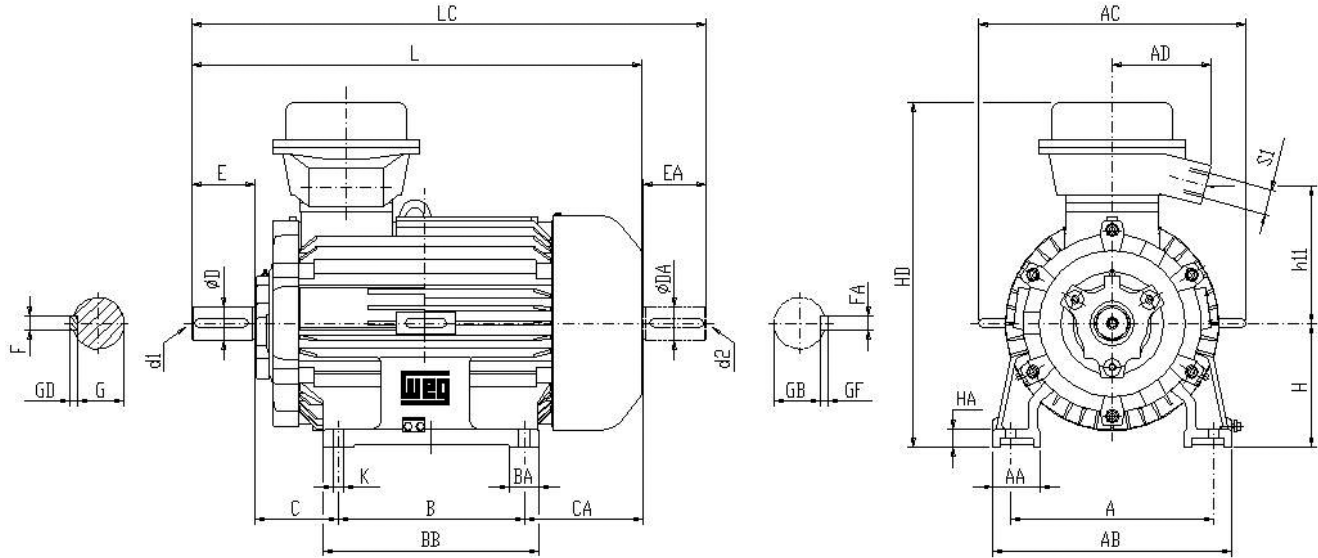
OUTLINE DIMENSIONS

IIC T4

Flameproof Motors - Ex d IIC T4 (Ex tD A21 IP6X T 135°C)
 Flameproof Motors with Increased Safety Terminal Box - Ex de IIC T4 (Ex tD A21 IP6X T 135°C)

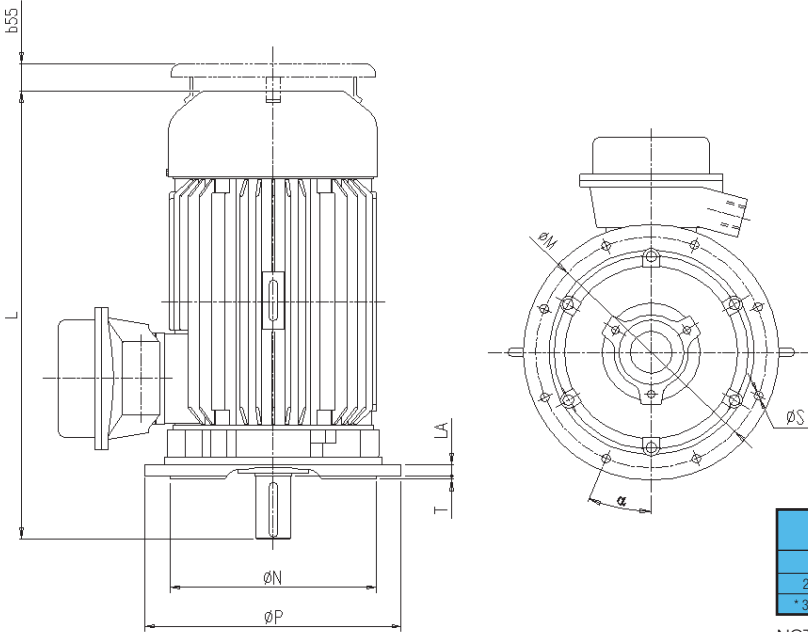
Low Voltage

BFGC4 IMB3T; IMB5; IMV1



Frame	A	AA	AB	AC	AD	B	BA	BB	C	CA	Shaft Dimensions													Bearings													
											D	E	F	G	GD	DA	EA	FA	GB	GF	H	HA	HD	h11	K	L	LC	S1	d1	d2	D.E.	N.D.E.					
250M (1)	406	100	506			349		406	168	207	65m6		18	58	11										250	32	748				856	1004				NU 314	6314 C3
250M (2)											60m6		20	53	12																		926	1074			
280SA (1)	457	105	537			368		438	236	236	75m6	140	20	67.5	12									280	40	778				1013	1161				6314 C3	6314 C3	
280SA (2)											65m6		18	58	11																	926	1074				
280MA (1)	457	105	537		244	419		525	272	272	75m6	140	20	67.5	12									280	40	778				1013	1161				6314 C3	6314 C3	
280MA (2)											65m6		18	58	11																	926	1074				
* 315SA (1)	508	120	628			406		526	216	326	80m6		170	22	71	14								315	45	845				1110	1258				6314 C3	6314 C3	
* 315SA (2)											65m6		140	18	58	11																1080	1228				
* 315MA (1)	508	120	628			457		577	216	326	80m6		170	22	71	14								315	45	845				1161	1309				6314 C3	6314 C3	
* 315MA (2)											65m6		140	18	58	11																1131	1279				

NOTES: (1) 1500, 1000 and 750 rpm (2) 3000 rpm (*) BFGC4 Series



Frame	*FF* Flange Dimensions								Nr. holes	
	Flange	LA	M	N	P	T	S	α		
250M 280SA/MA	FF-500	21	500	450	550	5	18,5	22,5°	60	8
* 315SA/MA	FF-600	25	600	550	660	6	24		70	

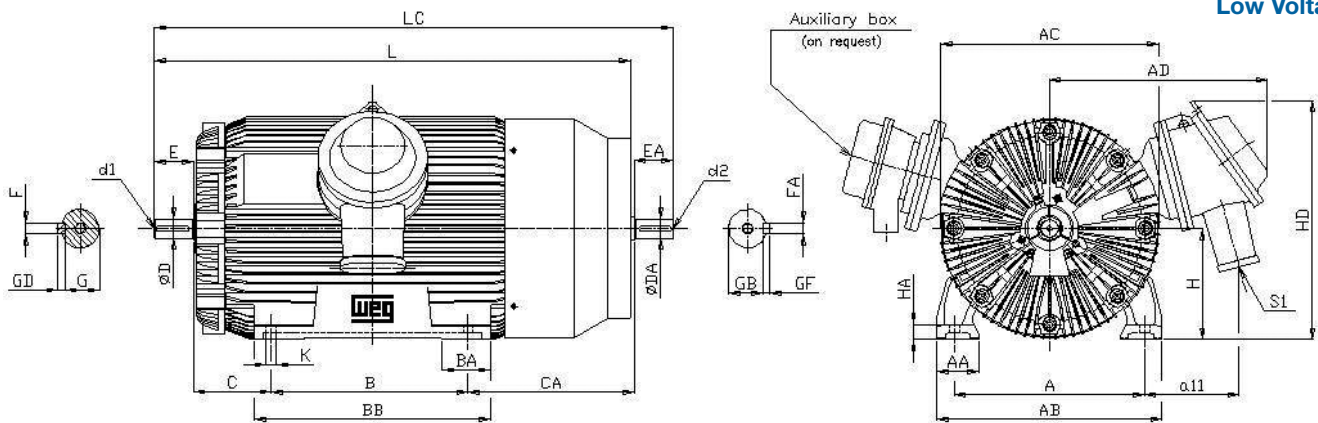
NOTES: (*) BFGC4 Series

- All the dimensions are in millimeters
- For all vertical applications or unusual coupling conditions, the customer shall inform the load figure with the inquiry/order.
- Construction drawings with guaranteed values are available under request.
- Shaft dimensions for 2 pole motors, only for direct coupling
- Execution with auxiliary terminal box available, for some ranges, on request
- If required terminal box entry on left hand side, please refer to us.
- Execution with second shaft end available on request
- 'Ex de' execution dimensions under request
- The average values shown are subject to change without prior notice

BFGC3 IMB3T; IMV1

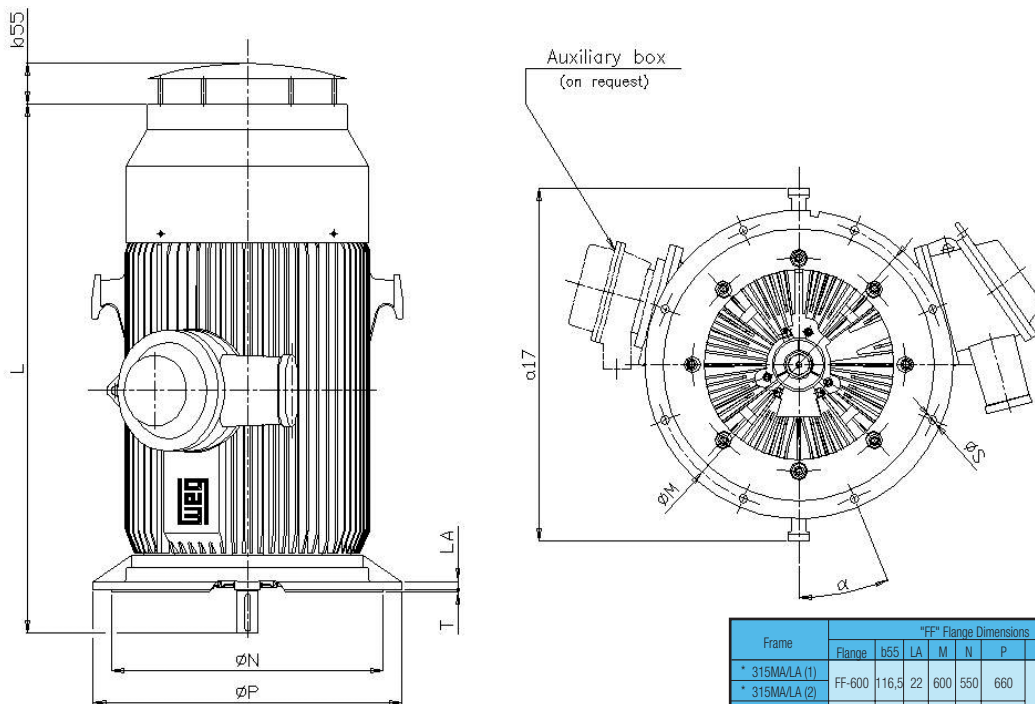
IIC T4

Low Voltage



Frame	A	AA	AB	AC	AD	a11	B	BA	BB	C	CA	Shaft Dimensions										K	L	LC	S1	d1	d2	Bearings				
												D	E	F	G	GD	DA	EA	FA	GB	GF							H	HA	HD	D.E	N.D.E
* 315MA (1)	508	130	632	622	716	360	457	150	613	216	426	90m6	170	25	81	14	60m6	140	18	53	11	315	43	735	28	1254	1409	2xM63x1,5 + 1xM20x1,5	DSM24	DSM20	NU2220	6317 C3
* 315MA (2)												70m6	140	20	62,5	12										1224	1379				6317 C3	NU317
* 315LA (1)												90m6	170	25	81	14										1305	1460				6317 C3	NU2220
* 315LA (2)												70m6	140	20	62,5	12										1275	1430				6317 C3	NU317
355MA (1)	610	145	730	713	741	334	560	175	860	254	589	95m6	170	25	86	14	80m6	170	22	71	14	355	49	785	28	1558	1743	2xM63x1,5 + 1xM20x1,5	DSM24	DSM20	NU320	6320 C3
355MA (2)												70m6	140	20	62,5	12	60m6	140	18	53	11					1528	1683				6317 C3	NU317
355LA (1)												95m6	170	25	86	14	80m6	170	22	71	14					1618	1803				6317 C3	NU320
355LA (2)												70m6	140	20	62,5	12	60m6	140	18	53	11					1588	1743				6317 C3	NU317
400LA (1)	686	150	810	785,5	786	341	710	850	280	599	110m6	210	28	100	16	80m6	170	22	71	14	400	55	860	35	1784	1969	2xM63x1,5 + 1xM20x1,5	DSM24	DSM20	NU324	6324 C3	
400LA (2)											70m6	140	20	62,5	12	60m6	140	18	53	11					1714	1869				6317 C3	NU317	

NOTES: (1) 1500, 1000 and 750 rpm (2) 3000 rpm (3) For 60 Hz please refer to us (*) BFGC3 Series



Frame	Flange	b55	"FF" Flange Dimensions					Nr. holes	a17	Bearings	
			LA	M	N	P	T			S	alpha
* 315MA/LA (1)	FF-600	116,5	22	600	550	660	24	22,5°	8	7220	6317 C3
* 315MA/LA (2)										6317 C3	6317 C3
355MA/LA (1)	FF-740	125	25	740	680	800	6	22,5°	8	7320	6320 C3
355MA/LA (2)										7317	6317
400LA (1)	FF-940	132	28	940	880	1000	28	22,5°	1010	7324	6324 C3
400LA (2)										7317	6317 C3

NOTES: (1) 1500, 1000 and 750 rpm (2) 3000 rpm (3) For 60 Hz please refer to us (*) BFGC3 Series

- Notes: - All the dimensions are in millimeters.
 - For all vertical applications or unusual coupling conditions, the customer shall inform the load figure with the inquiry/order.
 - Construction drawings with guaranteed values are available under request. - Shaft dimensions for 2 pole motors, only for direct coupling.
 - Execution with auxiliary terminal box available, for some ranges, on request.
 - If required terminal box entry on left hand side, please refer to us.
 - Execution with second shaft end available on request.
 - 'Ex de' execution dimensions under request.
 - The average values shown are subject to change without prior notice.



3.2 LOW VOLTAGE FLAMEPROOF MOTORS BFG(C)8; W22XB(C); BFGM8; W22XM

3.2.1 PRODUCT SPECIFICATION

■ Range

The present catalogue refers to TEFC Flameproof, Low Voltage, three phase, squirrel cage induction motors, up to 1100V, ribbed frames, **BFG(C)8** and **W22XB(C)** series with shaft height from 355 to 500 mm, with the following powers:

Motor series BFG(C)8 and W22XB(C):

KW	RPM
450 up to 1120 kW	3000 RPM
500 up to 1400 kW	1500 RPM
400 up to 1120 kW	1000 RPM
315 up to 900 kW	750 RPM

■ Particular specifications and standards related to hazardous areas

The motor series **BFG(C)8** and **W22XB(C)** comply with European Standards listed on paragraph 1.2.2, and are suitable for the following Groups of Gases and Temperature Classes:

GROUP I, mines category **M2**

GROUP II, surface industry, Gases of **Group IIB**, and temperature class **T4**

GROUP II, surface industry, Gases of **Group IIC**, and temperature class **T4**

Under request, are available other temperature classes.

These motor series have the **CE** marking in compliance with European Directive **94/4/EC (ATEX)**, and can be marked as equipment **GROUP I (Mines susceptible of firedamp)** or **GROUP II (surface Industries)**.

The motors of **GROUP II**, are suitable to use on the following zones:

Category **2**, for **Zones 1** and **21** – Gases, Vapours and Dust (**GD**).

Category **3**, for **Zones 2** and **22** – Gases, Vapours and Dust (**GD**).

Category **M2** for Mines

Special design to suit **Zone 21** will be available on request.

These motor series are also certified according to the **IECEX scheme**.

As standard execution, the motors are fitted with flameproof terminal boxes for gases of **Group IIB** or **IIC**, with specification code **Ex d, IIB** or **Ex d, IIC**. Under request and as an alternative execution, these motors can be fitted with an Increased Safety terminal box. In this case the description code is **Ex de, IIB** or **Ex de, IIC**.

This line of flameproof motors is certified according to the above standards, by the Notified Body INERIS in France, accredited organization by EU.

■ Construction

Mechanical protection: IP 55 as **Group II**, or IP65 as **Group I**.

Insulation: Class **F**.

Temperature rise: 80 K.

Frames: are in **cast iron**.

Terminal boxes: are in **cast iron**.

Endshields: are in **cast iron**.

Fans: metallic, in **aluminium alloy** or **fabricated steel**.

Fan cover: in **cast iron** or **fabricated steel**, capable to withstand impact of **20 Joule**.

Finish: industrial paint system, standard color **RAL 5010 (IIB)** or **RAL 7001 (IIC)**.

■ Voltage and frequency

As standard, these motors are wound to operate on the following voltage and frequency: D 400 V - 50HZ, spot wound.

If when supplied at D 400 V - 50HZ, corresponds a current higher than 1090A, as standard, the motors are wound for Y 690V, 50HZ.

The electrical data described in the present catalogue, is based on the standard supply voltages shown above i.e. 400V – 50HZ, and 690V when the current is higher than 1090A if supplied at 400V. For both cases and under request, are available voltages up to 1100V, 50 or 60HZ, with a maximum rated current of 1900A.

Depending on actual supply voltages/frequencies, this data may vary slightly but the variations will generally remain within the tolerances given by **IEC 60034-1**.

■ Basic design

■ Cooling method:

IC 411 in accordance with standard **IEC 60034-6** - motors cooled by an external fan.

■ Direction of rotation:

On frame sizes 355/400 (4 pole and above), as standard the motors are fitted with a bi-directional fan.

On remaining frames the fans are unidirectional, leaving the factory as standard on CW direction viewed from shaft end with the phase sequence of U, V, and W. In these cases the direction of rotation must be specified with order.

■ Electrical connection:

For currents up to 1090A, the terminal boxes are provided with 6 terminals.

For currents higher than 1090A, the terminal boxes are provided with 12 terminals.

■ Terminal boxes:

On these motor series, the main terminal box is located at top of motor frame allowing rotation every 180° to suit cable entry from left or right hand side.

Note: customer shall refer cable entry direction with order. As standard, in all motors, the supply cable entries are on the right hand side when viewed from shaft end.

■ Protections/Auxiliaries:

As standard the **BFG(C)8** and **W22XB(C)** motor series are fitted with 3 PTC thermistors, (triple, 2 wire), connected in to the mains terminal box.

Under request the motors can be fitted with anti-condensation heaters, or other type of protections on windings and connected into auxiliary terminal box.

When thermal protections on bearings are required, the connections are made in two individual auxiliary terminal boxes located on D.E and N.D.E side as standard configuration.

It is also possible as option, to have these protections connected into a single auxiliary terminal box used for the other protections/auxiliaries.

■ Earth connection:

All motors are equipped with an earth screw inside of terminal box. A second external earth connection is also provided on motor frame, on foot or on flange, depending on mounting form.

■ Terminal box entries and cable glands:

As standard, the motors are not supplied with cable glands and the number of entry holes and respective dimensions are described on outline dimensions tables. However, considering that the cable entry makes part of the protection enclosure it is recommended that the motors are supplied from factory fitted with cable glands.

For this it is necessary to specify with the order the complete cabling details (number of cables, specification, section and diameters), so that the motors can be supplied from factory fitted with suitable glands.

■ Bearings:

These motor series are equipped on both sides with deep groove ball bearings, pre-loaded by an axial spring washer or springs. Motors frame sizes 450 and 500, 2 pole, are equipped with a 3 bearings arrangement (ball + roller bearings on DE and roller bearing on NDE).

As optional execution, the motors GROUP IIB can be fitted with sleeve bearings.

In the case of pulley/belt drive transmission, the drive end bearing can be replaced by a roller bearing.

On vertical mounting motors, the bearings can be thrust bearing types and are defined according to the axial loads involved on the application.

■ Lubrication:

As standard, the bearings are grease lubricated. For all frames, the motors are equipped with grease relief valves and relubrication nipples.

■ Balancing:

The motors are dynamically balanced with half-key to meet the vibration limits of standard **IEC 60034-14, Grade A. Grade B** can be provided under request.

On all frames, the D.E. and N.D.E. endshields are designed to fit, under request, optional captors for vibration monitoring detectors or other devices.

Full standard and optional features are detailed on paragraph 2.3.



3.2.4 OUTLINE DIMENSIONS - BFG8; W22XB; BFGM8; W22XM SERIES

**IIB T4
I (M2)**

Flameproof Motors - Ex d IIB T4 (Ex tD A21 IP6X T 125°C)

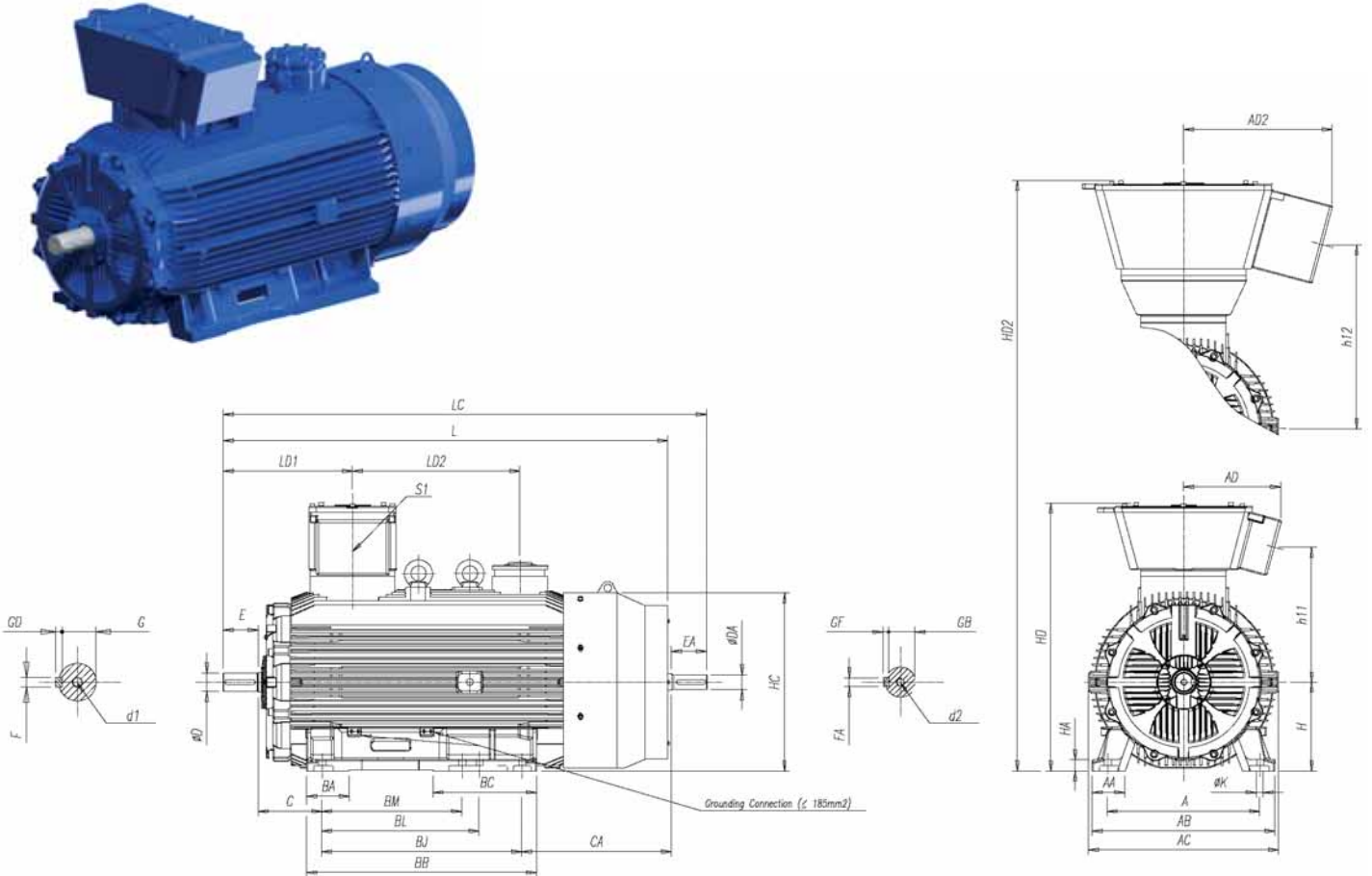
Flameproof Motors with Increased Safety Terminal Box - Ex de IIB T4 (Ex tD A21 IP6X T 125°C)

Low Voltage

Flameproof Motors for Mines - Ex d I M2

Flameproof Motors for Mines with Increased Safety Terminal Box - Ex de I M2

W22XB 355MLJ IMB3T



Poles	A	AA	AB	AC	AD ⁽¹⁾	BA	BB	BC	BM	BL	BJ	C	CA	H	HA	HC	HD ⁽¹⁾	h11 ⁽¹⁾	K	L	LC	LD1	LD2
2P	610	130	730	760	388	170	920	415	560	630	800	254	600	355	45	712	1072	540	28	1779	1934	517	670
4P+																				1849	2034	587	

Poles	Shaft dimensions											Bearings		Power terminal box - S1 ⁽¹⁾		
	D	E	F	G	GD	DA	EA	FA	GB	GF	d1	d2	D.E	N.D.E	CEFGH 340	
2P	75m6	140	20h9	67,5	12	60	140	18h9	53	11	DSM20	DSM20	6316C3	6316C3	I ≤ 900A: 2xM63x1,5 + 1xM20x1,5	
4P+	100m6	210	28h9	90	16	80	170	22h9	71	14	DSM24		6322C3	6322C3	900A < I ≤ 1090A: 4xM63x1,5 + 1xM20x1,5	

I > 1090A				
Poles	AD2	HD2	h12	Power terminal box - CEFGH 500 - S1
2P	594	1340	727	1090A < I ≤ 1900A: 4xM63x1,5 + 1xM20x1,5
4P+				

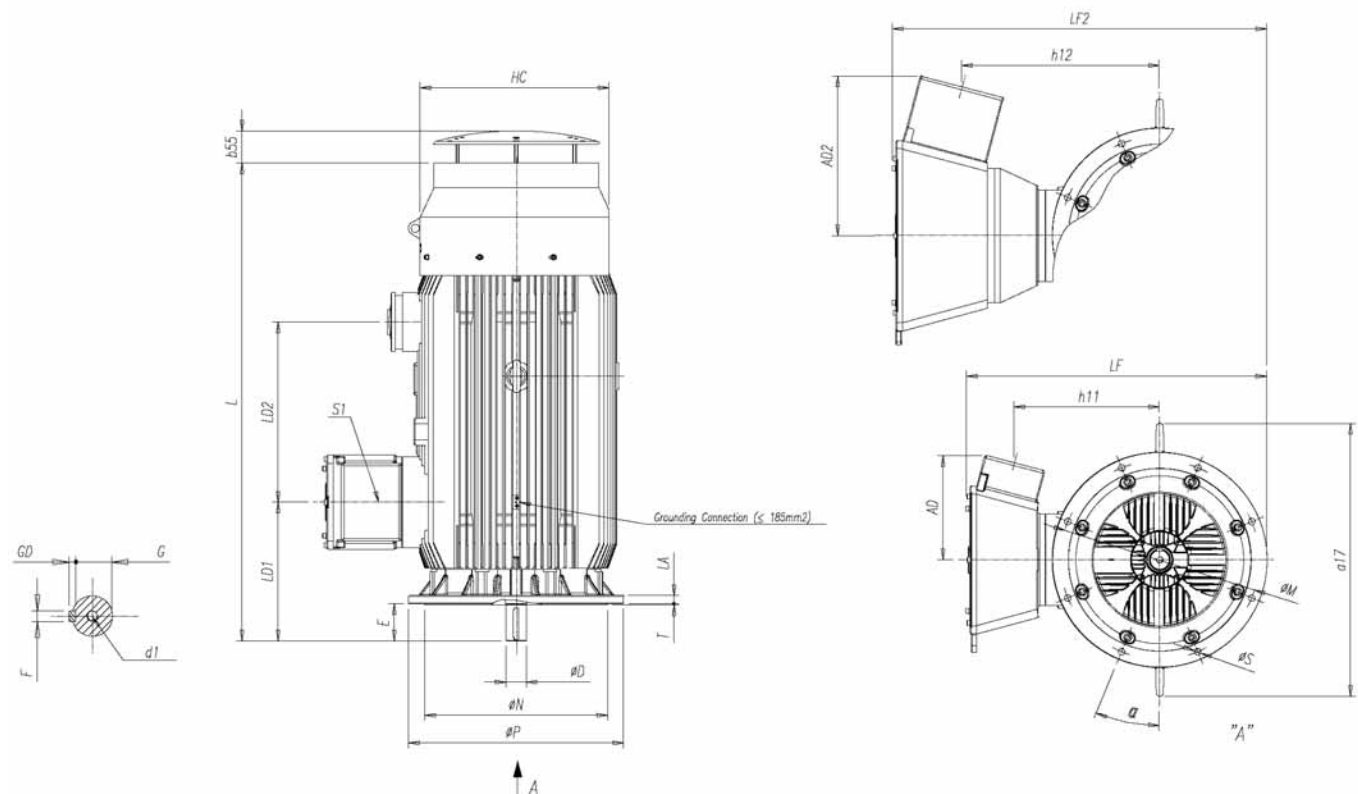
- Notes: - (1) I ≤ 1090A
 - All the dimensions are in millimeters.
 - Please, do not use these dimensions for construction. Certified drawings under request.
 - External thrust shall be informed at the time of Inquiry/Order.
 - Executions with auxiliary terminal box and second shaft end are optional and available under request.
 - For other special executions please refer to us.
 - The dimensions shown are subject to change without prior notice.

OUTLINE DIMENSIONS

IIB T4
I (M2)

Low Voltage

W22XB 355MLJ IMV1



Poles	AD ⁽¹⁾	HC	h11 ⁽¹⁾	L	LA	LD1	LD2	LF ⁽¹⁾	b55	a17	M	N	P	T	S	Nr. Holes	α
2P	388	702,5	540	1779	30	517	670	1117	118	1015	740	680	800	6	24	8	22,5°
4P+				1849		587											

Poles	Shaft dimensions						Bearings		Power terminal box - S1 ⁽¹⁾	
	D	E	F	G	GD	d1	D.E	N.D.E	CEFGH 340	
2P	75m6	140	20h9	67,5	12	DSM20	7316	6316C3	I ≤ 900A: 2xM63x1,5 + 1xM20x1,5	
4P+	100m6	210	28h9	90	16	DSM24	7322	6322C3	900A < I ≤ 1090A: 4xM63x1,5 + 1xM20x1,5	

I > 1090A				
Poles	AD2	LF2	h12	Power terminal box - CEFGH 500 - S1
2P				
4P+	594	1386	727	1090A < I ≤ 1900A: 4xM63x1,5 + 1xM20x1,5

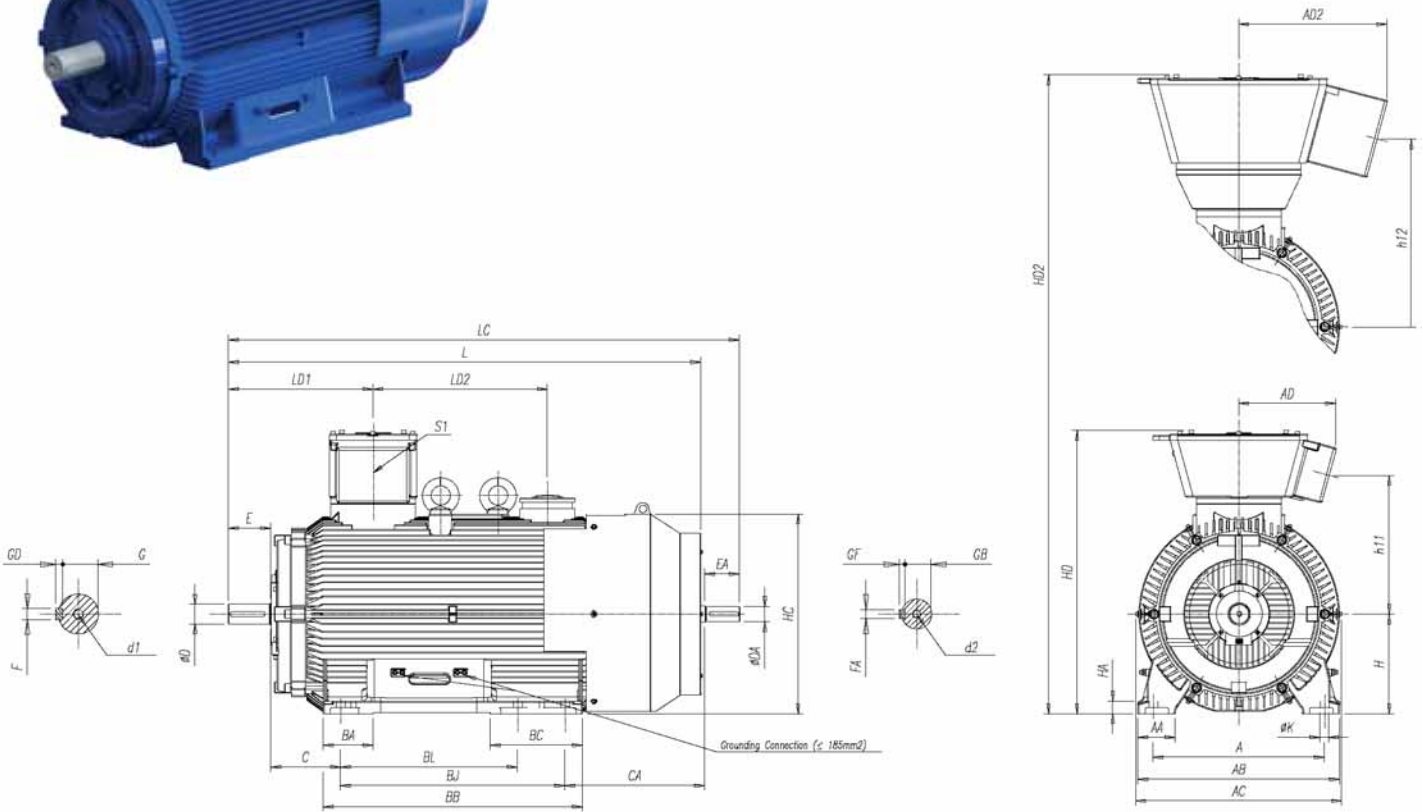
- Notes: - (1) I ≤ 1090A
 - All the dimensions are in millimeters.
 - Please, do not use these dimensions for construction. Certified drawings under request.
 - External thrust shall be informed at the time of Inquiry/Order.
 - Executions with auxiliary terminal box and second shaft end are optional and available under request.
 - For other special executions please refer to us.
 - The dimensions shown are subject to change without prior notice.

OUTLINE DIMENSIONS

**IIB T4
I (M2)**

Low Voltage

BFG8 400LJ IMB3T



Poles	A	AA	AB	AC	AD ⁽¹⁾	BA	BB	BC	BL	BJ	C	CA	H	HA	HC	HD ⁽¹⁾	h11 ⁽¹⁾	K	L	LC	LD1	LD2
2P	686	150	810	827	388	200	1040	370	710	900	280	560	400	50	802	1139	557	35	1895	2050	580	700
4P+																			1935	2120	620	

Poles	Shaft dimensions											Bearings		Power terminal box - S1 ⁽¹⁾		
	D	E	F	G	GD	DA	EA	FA	GB	GF	d1	d2	D.E	N.D.E	CEFGH 340	
2P	80m6	170	22h9	71	14	60	140	18h9	53	11	DSM20	DSM20	6318C3	6318C3	I ≤ 900A: 2xM63x1,5 + 1xM20x1,5	
4P+	110m6	210	28h9	100	16	80	170	22h9	71	14	DSM24		6324C3	6324C3	900A < I ≤ 1090A: 4xM63x1,5 + 1xM20x1,5	

I > 1090A				
Poles	AD2	HD2	h12	Power terminal box - CEFGH 500 - S1
2P	594	1408	747	1090A < I ≤ 1900A: 4xM63x1,5 + 1xM20x1,5
4P+				

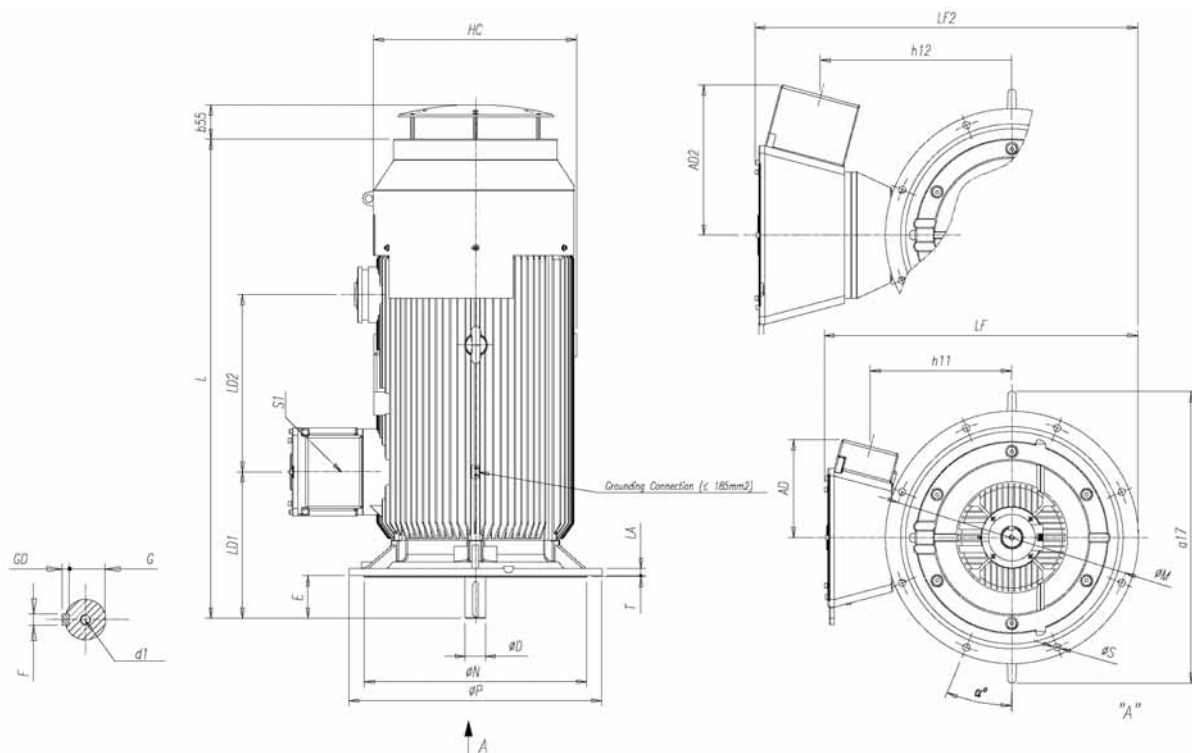
- Notes: - (1) I ≤ 1090A
 - All the dimensions are in millimeters.
 - Please, do not use these dimensions for construction. Certified drawings under request.
 - External thrust shall be informed at the time of Inquiry/Order.
 - Executions with auxiliary terminal box and second shaft end are optional and available under request.
 - For other special executions please refer to us.
 - The dimensions shown are subject to change without prior notice.

OUTLINE DIMENSIONS

IIB T4
I (M2)

Low Voltage

BFG8 400LJ IMV1



Poles	AD ⁽¹⁾	HC	h11 ⁽¹⁾	L	LA	LD1	LD2	LF ⁽¹⁾	a17	b55	M	N	P	T	S	Nr. Holes	α
2P	388	802	558	1895	28	580	700	1240	1154	136	940	880	1000	6	28	8	22,5°
4P+				1935		620											

Poles	Shaft dimensions						Bearings		Power terminal box - S1 ⁽¹⁾	
	D	E	F	G	GD	d1	D.E	N.D.E	CEFGH 340	
2P	80m6	170	22h9	71	14	DSM20	7318	6318C3	I ≤ 900A: 2xM63x1,5 + 1xM20x1,5	
4P+	110m6	210	28h9	100	16	DSM24	7324	6324C3	900A < I ≤ 1090A: 4xM63x1,5 + 1xM20x1,5	

I > 1090A				
Poles	AD2	LF2	h12	Power terminal box - CEFGH 500 - S1
2P	594	1507	747	1090A < I ≤ 1900A: 4xM63x1,5 + 1xM20x1,5
4P+				

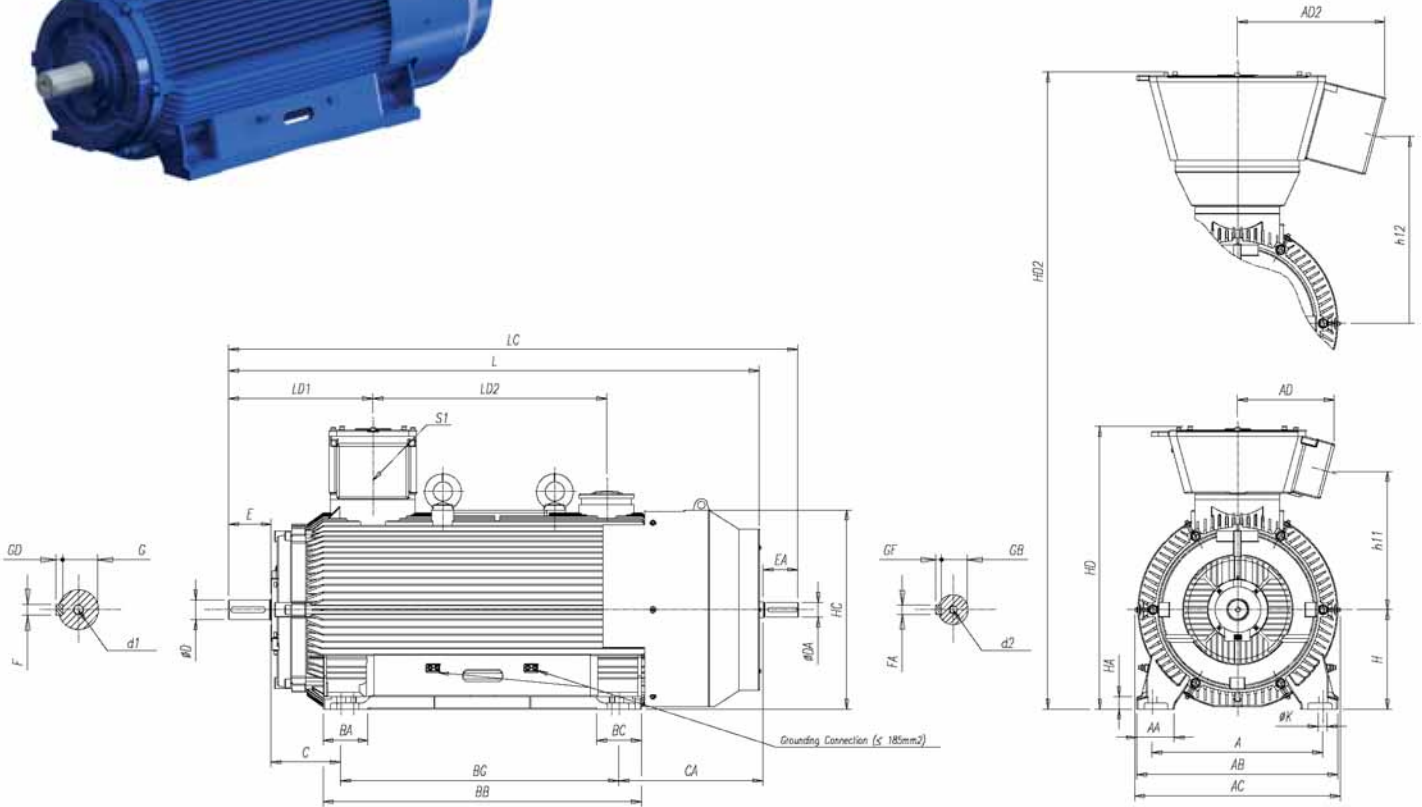
- Notes: - (1) I ≤ 1090A
 - All the dimensions are in millimeters.
 - Please, do not use these dimensions for construction. Certified drawings under request.
 - External thrust shall be informed at the time of Inquiry/Order.
 - Executions with auxiliary terminal box and second shaft end are optional and available under request.
 - For other special executions please refer to us.
 - The dimensions shown are subject to change without prior notice.

OUTLINE DIMENSIONS

**IIB T4
I (M2)**

Low Voltage

BFG8 400G IMB3T



Poles	A	AA	AB	AC	AD ⁽¹⁾	BA	BB	BC	BG	C	CA	H	HA	HC	HD ⁽¹⁾	h11 ⁽¹⁾	K	L	LC	LD1	LD2
2P	686	150	810	827	388	180	1280	180	1120	280	580	400	50	802	1139	557	35	2135	2290	580	940
4P+																		2175	2360	620	

Poles	Shaft dimensions											Bearings		Power terminal box - SI ⁽¹⁾	
	D	E	F	G	GD	DA	EA	FA	GB	GF	d1	d2	D.E	N.D.E	CEFGH 340
2P	80m6	170	22h9	71	14	60	140	18h9	53	11	DSM20	DSM20	6318C3	6318C3	I≤900A: 2xM63x1,5 + 1xM20x1,5
4P+	110m6	210	28h9	100	16	80	170	22h9	71	14	DSM24		6324C3	6324C3	900A<I≤1090A: 4xM63x1,5 + 1xM20x1,5

I > 1090A				
Poles	AD2	HD2	h12	Power terminal box - CEFGH 500 - SI
2P	594	1408	747	1090A<I≤1900A: 4xM63x1,5 + 1xM20x1,5
4P+				

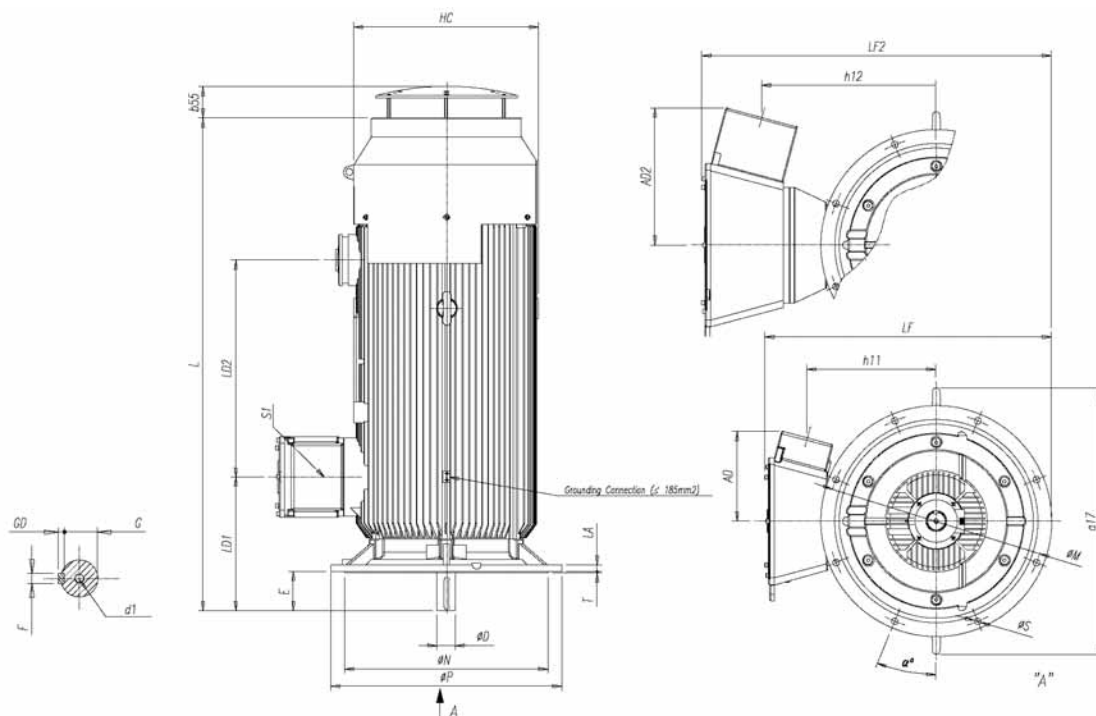
- Notes: - (1) I ≤ 1090A
 - All the dimensions are in millimeters.
 - Please, do not use these dimensions for construction. Certified drawings under request.
 - External thrust shall be informed at the time of Inquiry/Order.
 - Executions with auxiliary terminal box and second shaft end are optional and available under request.
 - For other special executions please refer to us.
 - The dimensions shown are subject to change without prior notice.

OUTLINE DIMENSIONS

IIB T4
I (M2)

Low Voltage

BFG8 400G IMV1



Poles	AD ⁽¹⁾	HC	h11 ⁽¹⁾	L	LA	LD1	LD2	LF ⁽¹⁾	a17	b55	M	N	P	T	S	Nr. Holes	α
2P	388	802	558	2135	28	580	940	1240	1154	136	940	880	1000	6	28	8	22,5°
4P+				2175		620											

Poles	Shaft dimensions					Bearings			Power terminal box - S1 ⁽¹⁾	
	D	E	F	G	GD	d1	D.E	N.D.E	CEFGH 340	
2P	80m6	170	22h9	71	14	DSM20	7318	6318C3	I ≤ 900A: 2xM63x1,5 + 1xM20x1,5	
4P+	110m6	210	28h9	100	16	DSM24	7324	6324C3	900A < I ≤ 1090A: 4xM63x1,5 + 1xM20x1,5	

I > 1090A				
Poles	AD2	LF2	h12	Power terminal box - CEFGH 500 - S1
2P	594	1507	747	1090A < I ≤ 1900A: 4xM63x1,5 + 1xM20x1,5
4P+				

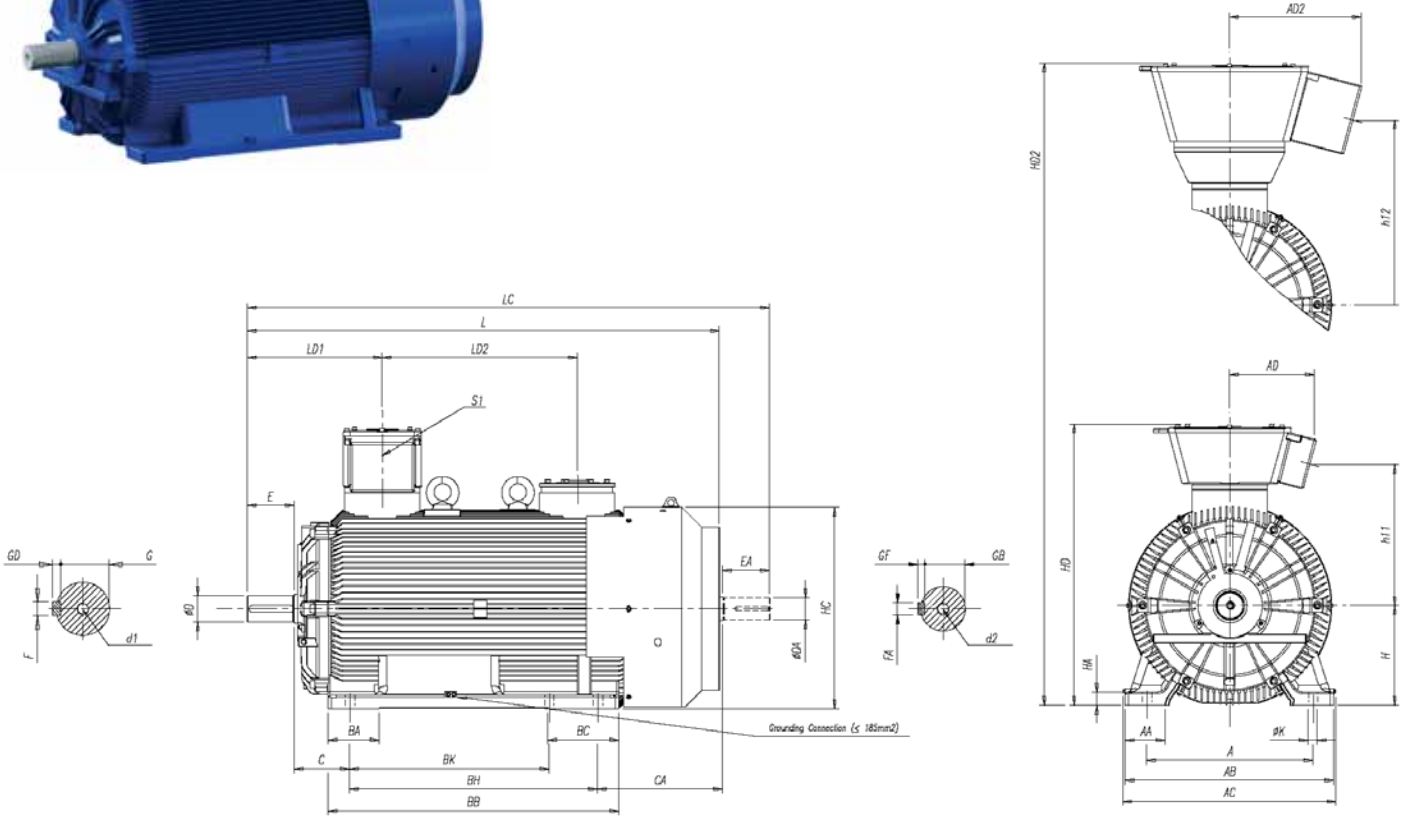
- Notes: - (1) I ≤ 1090A
 - All the dimensions are in millimeters.
 - Please, do not use these dimensions for construction. Certified drawings under request.
 - External thrust shall be informed at the time of Inquiry/Order.
 - Executions with auxiliary terminal box and second shaft end are optional and available under request.
 - For other special executions please refer to us.
 - The dimensions shown are subject to change without prior notice.

OUTLINE DIMENSIONS

**IIB T4
I (M2)**

BFG8 450KH IMB3T

Low Voltage



Poles	A	AA	AB	AC	AD ⁽¹⁾	BA	BB	BC	BK	BH	C	CA	H	HA	HC	HD ⁽¹⁾	h11 ⁽¹⁾	K	L	LC	LD1	LD2
2P	750	180	940	957	388	230	1310	320	900	1120	250	564	450	60	908	1269	654	42	2089	2244	568	880
4P+																			2129	2354	608	

Poles	Shaft dimensions											Bearings		Power terminal box - S1 ⁽¹⁾	
	D	E	F	G	GD	DA	EA	FA	GB	GF	d1	d2	D.E	N.D.E	CEFGH 340
2P	85m6	170	22h9	76	14	75	140	20h9	67,5	12	DSM20	DSM20	N218C3 + 6218C3	N218	I ≤ 900A : 2xM63x1,5 + 1xM20x1,5
4P+	120m6	210	32h9	109	18	100	210	28h9	90	16	DSM24	DSM20	6326C3	6326C3	900A < I ≤ 1090A : 4xM63x1,5 + 1xM20x1,5

I > 1090A				
Poles	AD2	HD2	h12	Power terminal box - CEFGH 500 - S1
2P				
4P+	594	1562	853	1090A < I ≤ 1900A : 4xM63x1,5 + 1xM20x1,5

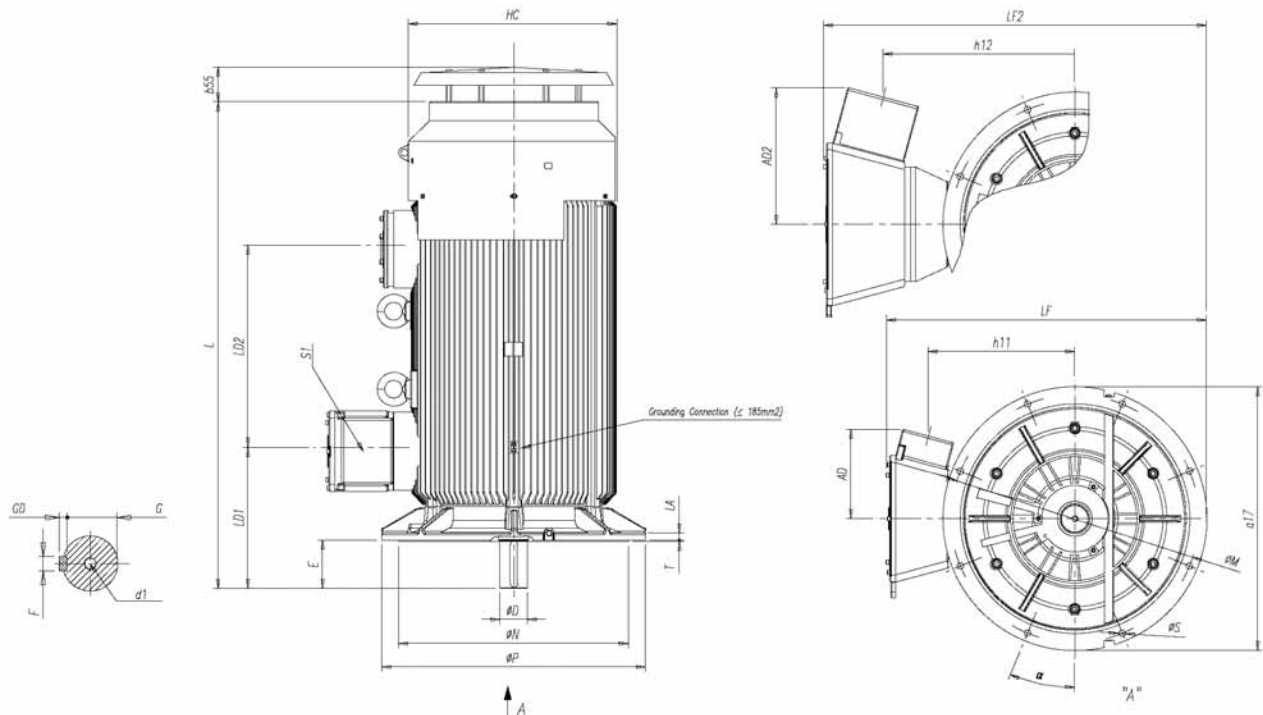
- Notes: - (1) I ≤ 1090A
 - All the dimensions are in millimeters.
 - Please, do not use these dimensions for construction. Certified drawings under request.
 - External thrust shall be informed at the time of Inquiry/Order.
 - Executions with auxiliary terminal box and second shaft end are optional and available under request.
 - For other special executions please refer to us.
 - The dimensions shown are subject to change without prior notice.

OUTLINE DIMENSIONS

IIB T4
I (M2)

Low Voltage

BFG8 450KH IMV1



Poles	AD ⁽¹⁾	HC	h11 ⁽¹⁾	L	LA	LD1	LD2	LF ⁽¹⁾	a17	b55	M	N	P	T	S	Nr. Holes	α
4P+	388	908	654	2129	30	608	880	1394	1150	153	1080	1000	1150	6	30	8	22,5°

Poles	Shaft dimensions					Bearings		Power terminal box - SI ⁽¹⁾			
	D	E	F	G	GD	d1	D.E	N.D.E	CEFGH 340		
4P+	120m6	210	32h9	109	18	DSM24	7326	6326C3	I ≤ 900A : 2xM63x1,5 + 1xM20x1,5 900A < I ≤ 1090A : 4xM63x1,5 + 1xM20x1,5		

I > 1090A			
Poles	AD2	LF2	h12
4P+	594	1688	853
Power terminal box - CEFGH 500 - SI			
1090A < I ≤ 1900A : 4xM63x1,5 + 1xM20x1,5			

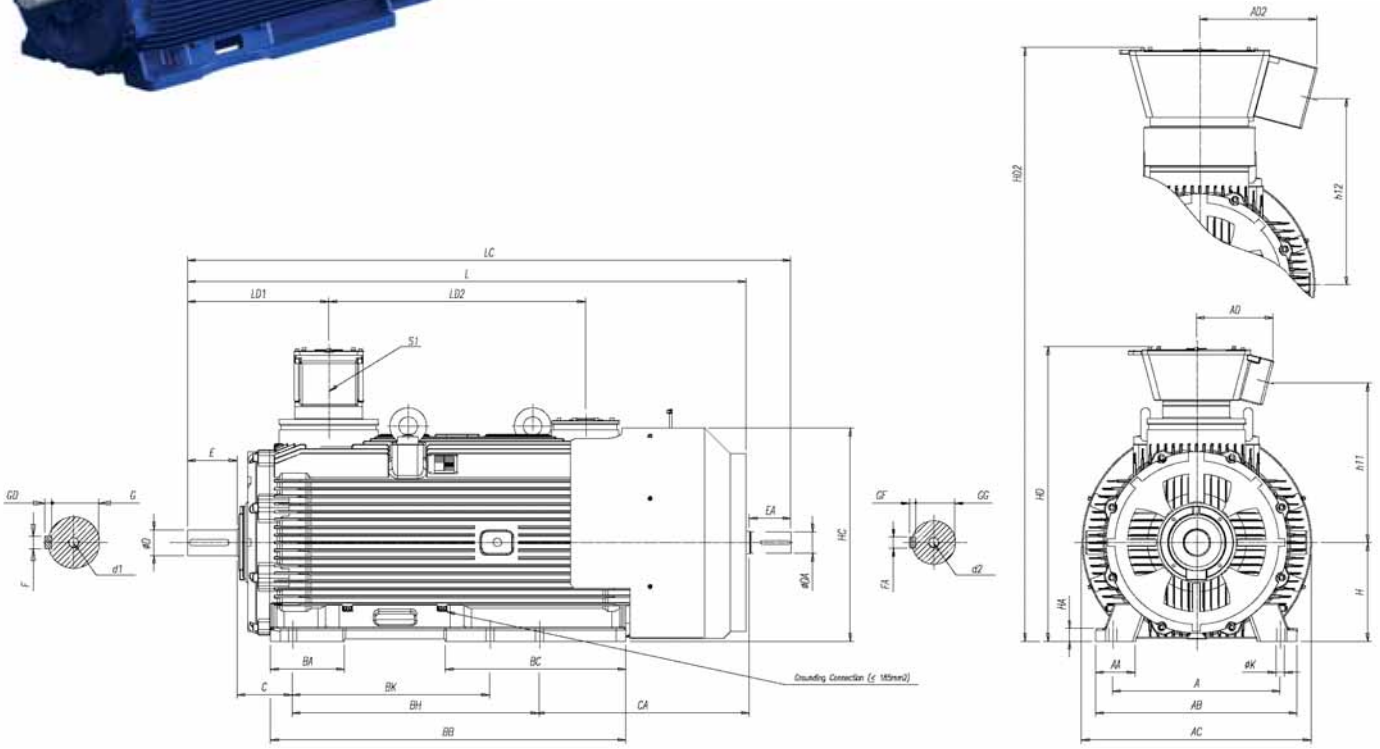
- Notes: - (1) I ≤ 1090A
 - All the dimensions are in millimeters.
 - Please, do not use these dimensions for construction. Certified drawings under request.
 - External thrust shall be informed at the time of Inquiry/Order.
 - Executions with auxiliary terminal box and second shaft end are optional and available under request.
 - For other special executions please refer to us.
 - The dimensions shown are subject to change without prior notice.

OUTLINE DIMENSIONS

**IIB T4
I (M2)**

Low Voltage

W22XB 500KH IMB3T



Poles	A	AA	AB	AC	AD ⁽¹⁾	BA	BB	BC	BK	BH	C	CA	H	HA	HC	HD ⁽¹⁾	h11 ⁽¹⁾	K	L	LC	LD1	LD2
2P	850	200	1020	1162	388	375	1800	915	1000	1250	280	1080	500	65	1081	1490	808	42	2750	2905	635	1300
4P+																			2830	3055	715	

Poles	Shaft dimensions											Bearings		Power terminal box - S1 ⁽¹⁾	
	D	E	F	G	GD	DA	EA	FA	GB	GF	d1	d2	D.E	N.D.E	CEFGH 340
2P	90m6	170	25	81	14	75	140	20	67,5	12	DSM24	DSM20	NU220C3 + 6020C3	NU220C3	I≤900A : 2xM63x1,5 + 1xM20x1,5
4P+	130m6	250	32	119	18	110	210	28	100	16	DSM24	DSM24	6328C3	6328C3	900A<I≤1090A : 4xM63x1,5 + 1xM20x1,5

I > 1090A				
Poles	AD2	HD2	h12	Power terminal box - CEFGH 500 - S1
2P	594	1704	946	1090A<I≤1900A : 4xM63x1,5 + 1xM20x1,5
4P+				

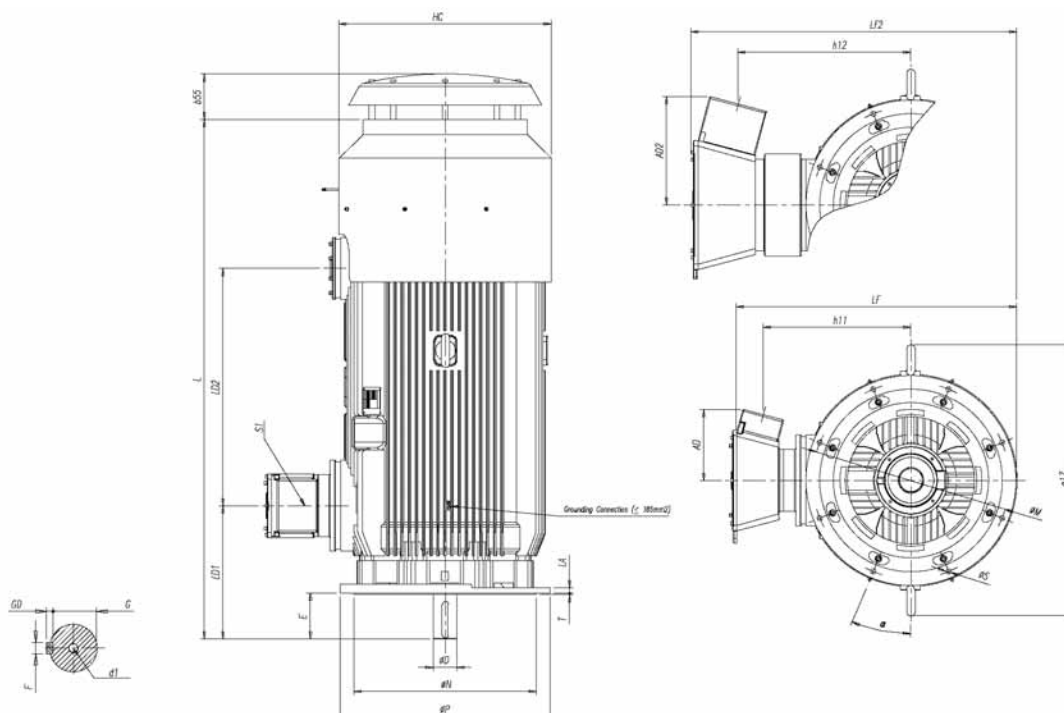
- Notes: - (1) I ≤ 1090A
 - All the dimensions are in millimeters.
 - Please, do not use these dimensions for construction. Certified drawings under request.
 - External thrust shall be informed at the time of Inquiry/Order.
 - Executions with auxiliary terminal box and second shaft end are optional and available under request.
 - For other special executions please refer to us.
 - The dimensions shown are subject to change without prior notice.

OUTLINE DIMENSIONS

IIB T4
I (M2)

Low Voltage

W22XB 500KH IMV1



Poles	AD ⁽¹⁾	HC	h11 ⁽¹⁾	L	LA	LD1	LD2	LF ⁽¹⁾	a17	b55	M	N	P	T	S	Nr. Holes	α
4P+	388	1162	808	2830	30	715	1300	1536	1482	250	1080	1000	1150	7	28	8	22,5°

Poles	Shaft dimensions					Bearings		Power terminal box - S1 ⁽¹⁾	
	D	E	F	G	GD	d1	D.E	N.D.E	CEFGH 340
4P+	130m6	250	32h9	119	18	DSM24	7328	6328C3	I ≤ 900A : 2xM63x1,5 + 1xM20x1,5 900A < I ≤ 1090A : 4xM63x1,5 + 1xM20x1,5

I > 1090A				
Poles	AD2	LF2	h12	Power terminal box - CEFGH 500 - S1
4P+	594	1785	946	1090A < I ≤ 1900A : 4xM63x1,5 + 1xM20x1,5

- Notes: - (1) I ≤ 1090A
 - All the dimensions are in millimeters.
 - Please, do not use these dimensions for construction. Certified drawings under request.
 - External thrust shall be informed at the time of Inquiry/Order.
 - Executions with auxiliary terminal box and second shaft end are optional and available under request.
 - For other special executions please refer to us.
 - The dimensions shown are subject to change without prior notice.

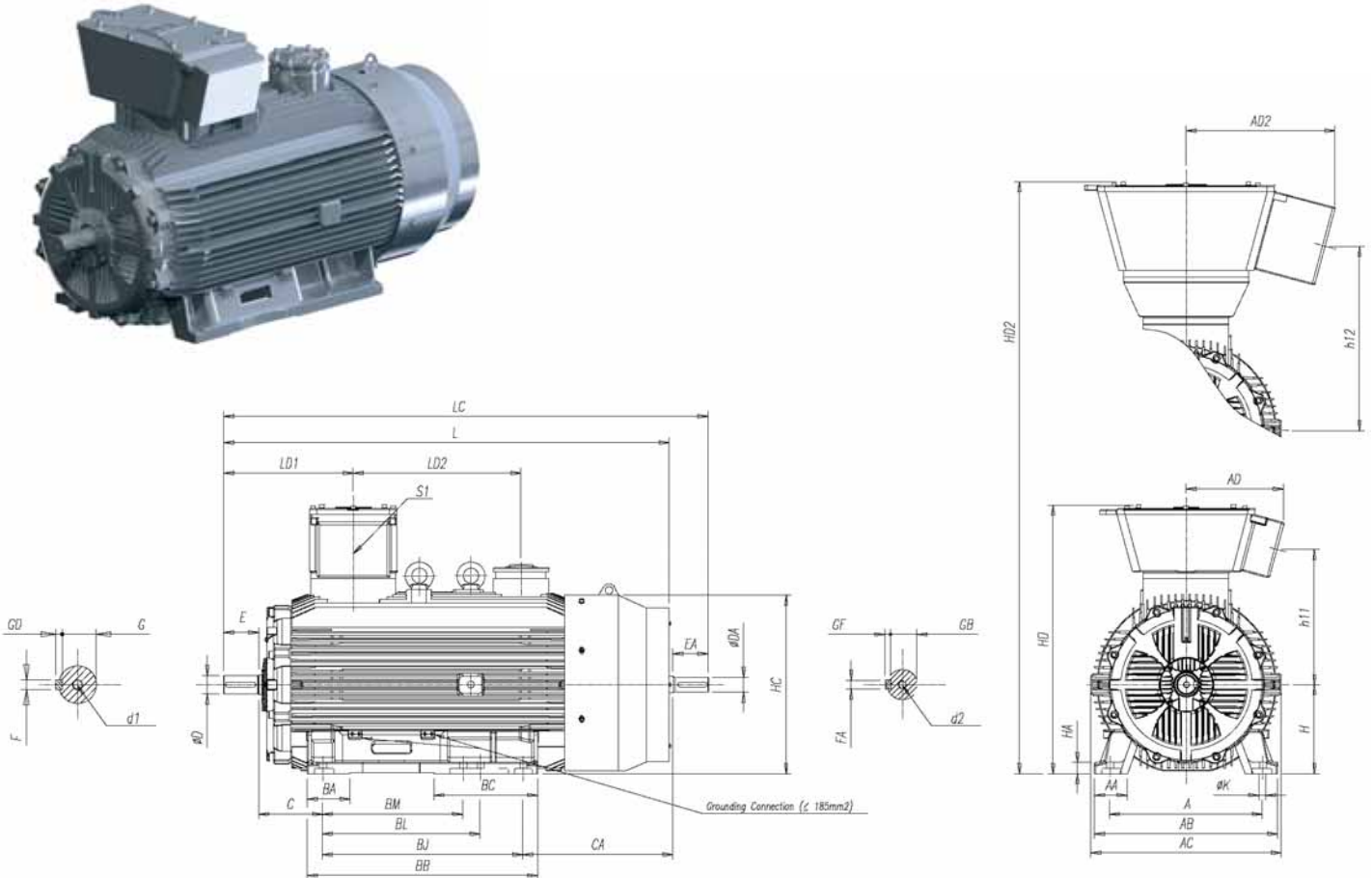
3.2.5 OUTLINE DIMENSIONS - BFGC8; W22XC; BFGM8; W22XM SERIES

IIC T4
I (M2)

Flameproof Motors - Ex d IIC T4 (Ex tD A21 IP6X T 125°C)
 Flameproof Motors with Increased Safety Terminal Box - Ex de IIC T4 (Ex tD A21 IP6X T 125°C)
 Flameproof Motors for Mines - Ex d I M2
 Flameproof Motors for Mines with Increased Safety Terminal Box - Ex de I M2

Low Voltage

W22XC 355MLJ IMB3T



Poles	A	AA	AB	AC	AD ⁽¹⁾	BA	BB	BC	BM	BL	BJ	C	CA	H	HA	HC	HD ⁽¹⁾	h11 ⁽¹⁾	K	L	LC	LD1	LD2
2P	610	130	730	760	388	170	920	415	560	630	800	254	600	355	45	712	1072	540	28	1779	1934	517	670
4P+																				1849	2034	587	

Poles	Shaft dimensions											Bearings		Power terminal box - S1 ⁽¹⁾		
	D	E	F	G	GD	DA	EA	FA	GB	GF	d1	d2	D.E	N.D.E	CEFGH 340	
2P	75m6	140	20h9	67,5	12	60	140	18h9	53	11	DSM20	DSM20	6316C3	6316C3	I ≤ 900A: 2xM63x1,5 + 1xM20x1,5	
4P+	100m6	210	28h9	90	16	80	170	22h9	71	14	DSM24		6322C3	6322C3	900A < I ≤ 1090A: 4xM63x1,5 + 1xM20x1,5	

I > 1090A				
Poles	AD2	HD2	h12	Power terminal box - CEFGH 500 - S1
2P	594	1340	727	1090A < I ≤ 1900A: 4xM63x1,5 + 1xM20x1,5
4P+				

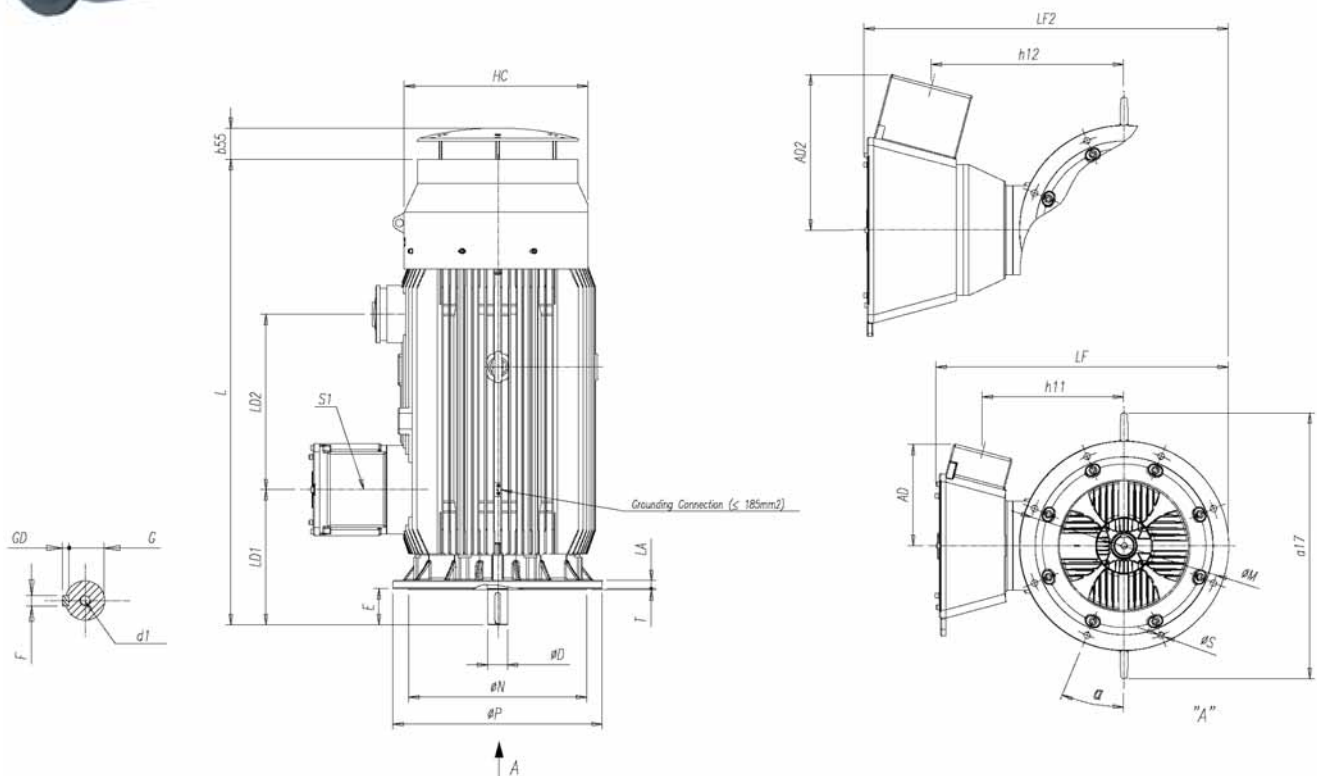
- Notes: (1) I ≤ 1090A
- All the dimensions are in millimeters.
 - Please, do not use these dimensions for construction. Certified drawings under request.
 - External thrust shall be informed at the time of Inquiry/Order.
 - Executions with auxiliary terminal box and second shaft end are optional and available under request.
 - For other special executions please refer to us.
 - The dimensions shown are subject to change without prior notice.

OUTLINE DIMENSIONS

IIC T4
I (M2)

Low Voltage

W22XC 355MLJ IMV1



Poles	AD ⁽¹⁾	HC	h11 ⁽¹⁾	L	LA	LD1	LD2	LF ⁽¹⁾	b55	a17	M	N	P	T	S	Nr. Holes	α
2P	388	702,5	540	1779	30	517	670	1117	118	1015	740	680	800	6	24	8	22,5 ^ø
4P+				1849		587											

Poles	Shaft dimensions					Bearings		Power terminal box - S1 ⁽¹⁾	
	D	E	F	G	GD	d1	D.E	N.D.E	CEFGH 340
2P	75m6	140	20h9	67,5	12	DSM20	7316	6316C3	I ≤ 900A: 2xM63x1,5 + 1xM20x1,5
4P+	100m6	210	28h9	90	16	DSM24	7322	6322C3	900A < I ≤ 1090A: 4xM63x1,5 + 1xM20x1,5

I > 1090A				
Poles	AD2	LF2	h12	Power terminal box - CEFGH 500 - S1
2P	594	1386	727	1090A < I ≤ 1900A: 4xM63x1,5 + 1xM20x1,5
4P+				

Notes: (1) I ≤ 1090A

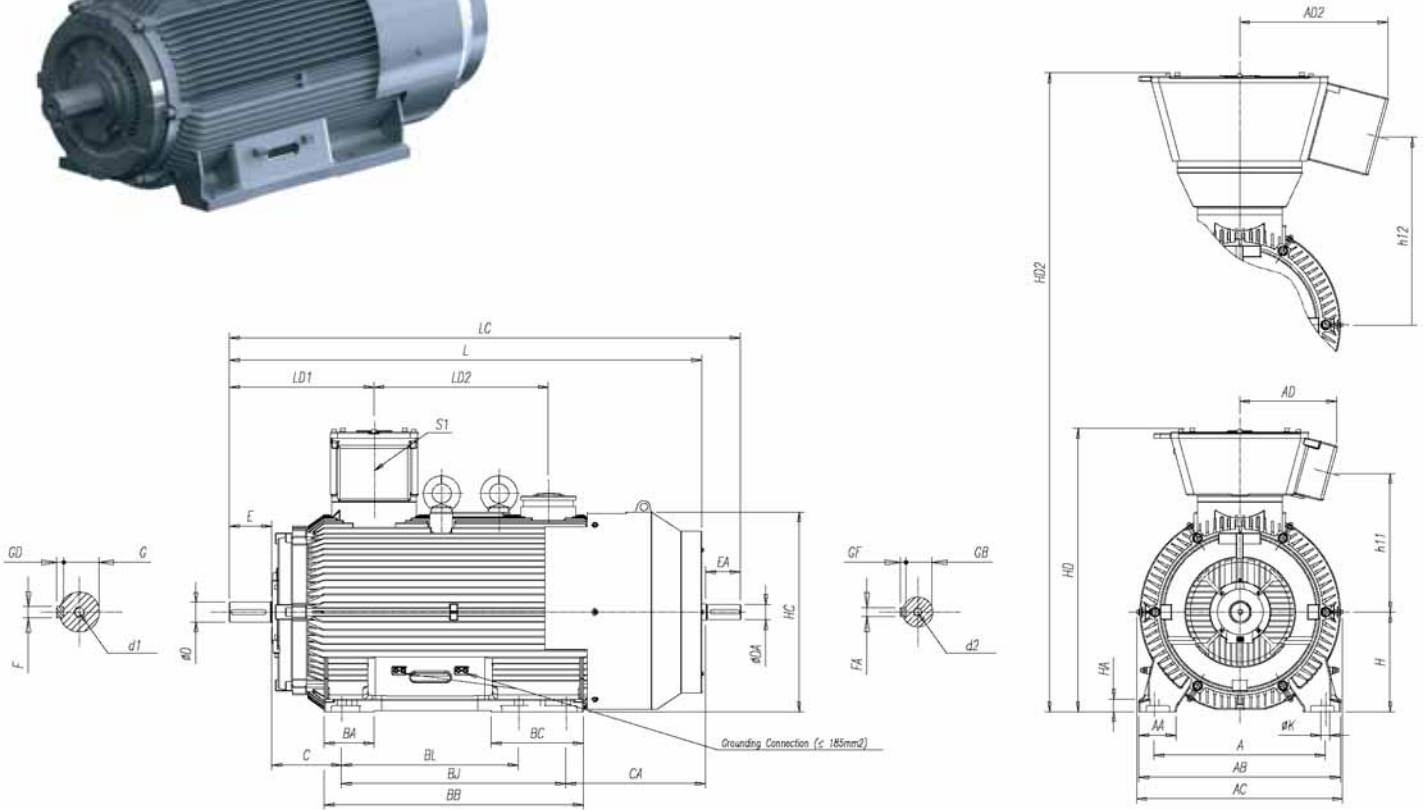
- All the dimensions are in millimeters.
- Please, do not use these dimensions for construction. Certified drawings under request.
- External thrust shall be informed at the time of Inquiry/Order.
- Executions with auxiliary terminal box and second shaft end are optional and available under request.
- For other special executions please refer to us.
- The dimensions shown are subject to change without prior notice.

OUTLINE DIMENSIONS

**IIC T4
I (M2)**

BFGC8 400LJ IMB3T

Low Voltage



Poles	A	AA	AB	AC	AD ⁽¹⁾	BA	BB	BC	BL	BJ	C	CA	H	HA	HC	HD ⁽¹⁾	h11 ⁽¹⁾	K	L	LC	LD1	LD2
2P	686	150	810	827	388	200	1040	370	710	900	280	560	400	50	802	1139	557	35	1895	2050	580	700
4P+																			1935	2120	620	

Poles	Shaft dimensions											Bearings		Power terminal box - S1 ⁽¹⁾		
	D	E	F	G	GD	DA	EA	FA	GB	GF	d1	d2	D.E	N.D.E	CEFGH 340	
2P	80m6	170	22h9	71	14	60	140	18h9	53	11	DSM20	DSM20	6318C3	6318C3	I≤900A: 2xM63x1,5 + 1xM20x1,5	
4P+	110m6	210	28h9	100	16	80	170	22h9	71	14	DSM24		6324C3	6324C3	900A<I≤1090A: 4xM63x1,5 + 1xM20x1,5	

I > 1090A				
Poles	AD2	HD2	h12	Power terminal box - CEFGH 500 - S1
2P				
4P+	594	1408	747	1090A<I≤1900A: 4xM63x1,5 + 1xM20x1,5

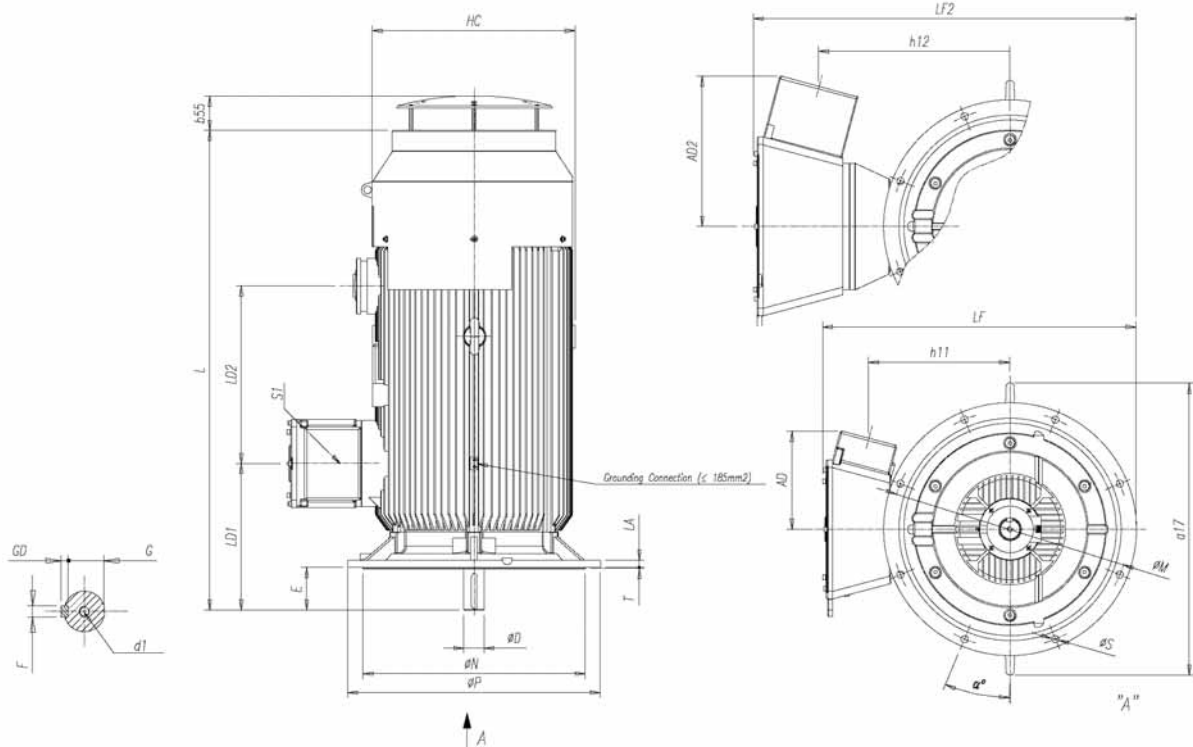
- Notes: (1) I ≤ 1090A
- All the dimensions are in millimeters.
 - Please, do not use these dimensions for construction. Certified drawings under request.
 - External thrust shall be informed at the time of Inquiry/Order.
 - Executions with auxiliary terminal box and second shaft end are optional and available under request.
 - For other special executions please refer to us.
 - The dimensions shown are subject to change without prior notice.

OUTLINE DIMENSIONS

IIC T4
I (M2)

Low Voltage

BFGC8 400LJ IMV1



Poles	AD ⁽¹⁾	HC	h11 ⁽¹⁾	L	LA	LD1	LD2	LF ⁽¹⁾	a17	b55	M	N	P	T	S	Nr. Holes	α
2P	388	802	558	1895	28	580	700	1240	1154	136	940	880	1000	6	28	8	22,5°
4P+				1935		620											

Poles	Shaft dimensions					Bearings		Power terminal box - S1 ⁽¹⁾	
	D	E	F	G	GD	d1	D.E	N.D.E	CEFGH 340
2P	80m6	170	22h9	71	14	DSM20	7318	6318C3	I ≤ 900A : 2xM63x1,5 + 1xM20x1,5
4P+	110m6	210	28h9	100	16	DSM24	7324	6324C3	900A < I ≤ 1090A : 4xM63x1,5 + 1xM20x1,5

I > 1090A				
Poles	AD2	LF2	h12	Power terminal box - CEFGH 500 - S1
2P	594	1507	747	1090A < I ≤ 1900A : 4xM63x1,5 + 1xM20x1,5
4P+				

Notes: (1) I ≤ 1090A

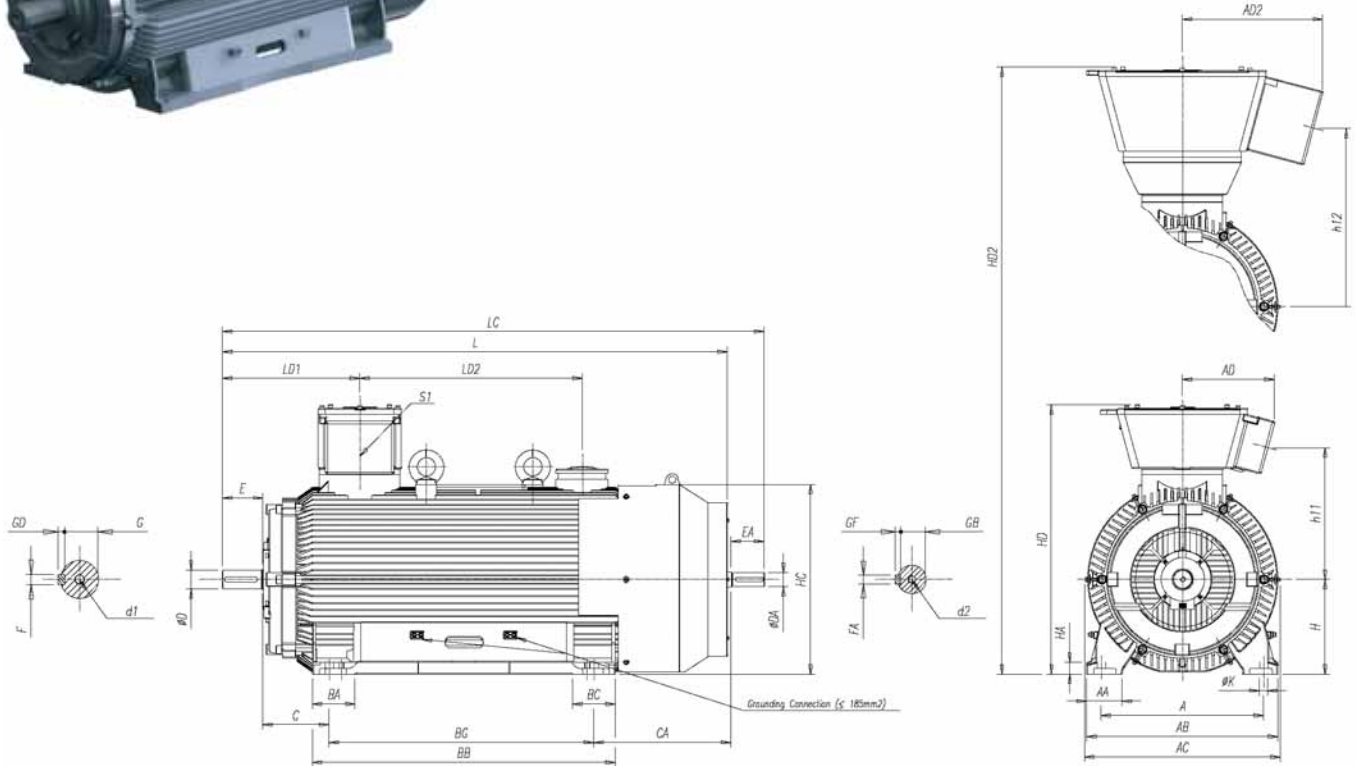
- All the dimensions are in millimeters.
- Please, do not use these dimensions for construction. Certified drawings under request.
- External thrust shall be informed at the time of Inquiry/Order.
- Executions with auxiliary terminal box and second shaft end are optional and available under request.
- For other special executions please refer to us.
- The dimensions shown are subject to change without prior notice.

OUTLINE DIMENSIONS

**IIC T4
I (M2)**

BFGC8 400G IMB3T

Low Voltage



Poles	A	AA	AB	AC	AD ⁽¹⁾	BA	BB	BC	BG	C	CA	H	HA	HC	HD ⁽¹⁾	h11 ⁽¹⁾	K	L	LC	LD1	LD2
2P	686	150	810	827	388	180	1280	180	1120	280	580	400	50	802	1139	557	35	2135	2290	580	940
4P+																		2175	2360	620	

Poles	Shaft dimensions											Bearings		Power terminal box - S1 ⁽¹⁾		
	D	E	F	G	GD	DA	EA	FA	GB	GF	d1	d2	D.E	N.D.E	CEFGH 340	
2P	80m6	170	22h9	71	14	60	140	18h9	53	11	DSM20	DSM20	6318C3	6318C3	I≤900A: 2xM63x1,5 + 1xM20x1,5	
4P+	110m6	210	28h9	100	16	80	170	22h9	71	14	DSM24		6324C3	6324C3	900A<I≤1090A: 4xM63x1,5 + 1xM20x1,5	

I > 1090A				
Poles	AD2	HD2	h12	Power terminal box - CEFGH 500 - S1
2P				
4P+	594	1408	747	1090A<I≤1900A: 4xM63x1,5 + 1xM20x1,5

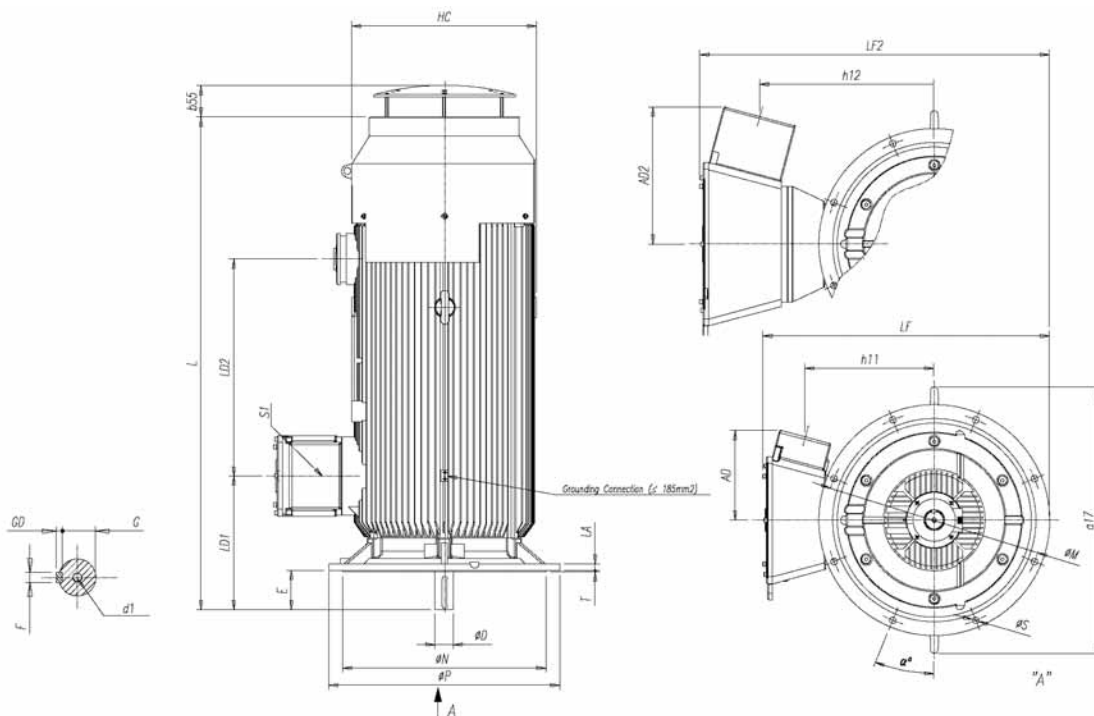
- Notes: (1) I ≤ 1090A
- All the dimensions are in millimeters.
 - Please, do not use these dimensions for construction. Certified drawings under request.
 - External thrust shall be informed at the time of Inquiry/Order.
 - Executions with auxiliary terminal box and second shaft end are optional and available under request.
 - For other special executions please refer to us.
 - The dimensions shown are subject to change without prior notice.

OUTLINE DIMENSIONS

IIC T4
I (M2)

Low Voltage

BFGC8 400G IMV1



Poles	AD ⁽¹⁾	HC	h11 ⁽¹⁾	L	LA	LD1	LD2	LF ⁽¹⁾	a17	b55	M	N	P	T	S	Nr. Holes	α
2P	388	802	558	2135	28	580	940	1240	1154	136	940	880	1000	6	28	8	22,5°
4P+				2175		620											

Poles	Shaft dimensions					Bearings			Power terminal box - S1 ⁽¹⁾	
	D	E	F	G	GD	d1	D.E	N.D.E	CEFGH 340	
2P	80m6	170	22h9	71	14	DSM20	7318	6318C3	I ≤ 900A : 2xM63x1,5 + 1xM20x1,5	
4P+	110m6	210	28h9	100	16	DSM24	7324	6324C3	900A < I ≤ 1090A : 4xM63x1,5 + 1xM20x1,5	

I > 1090A				
Poles	AD2	LF2	h12	Power terminal box - CEFGH 500 - S1
2P	594	1507	747	1090A < I ≤ 1900A : 4xM63x1,5 + 1xM20x1,5
4P+				

Notes: (1) I ≤ 1090A

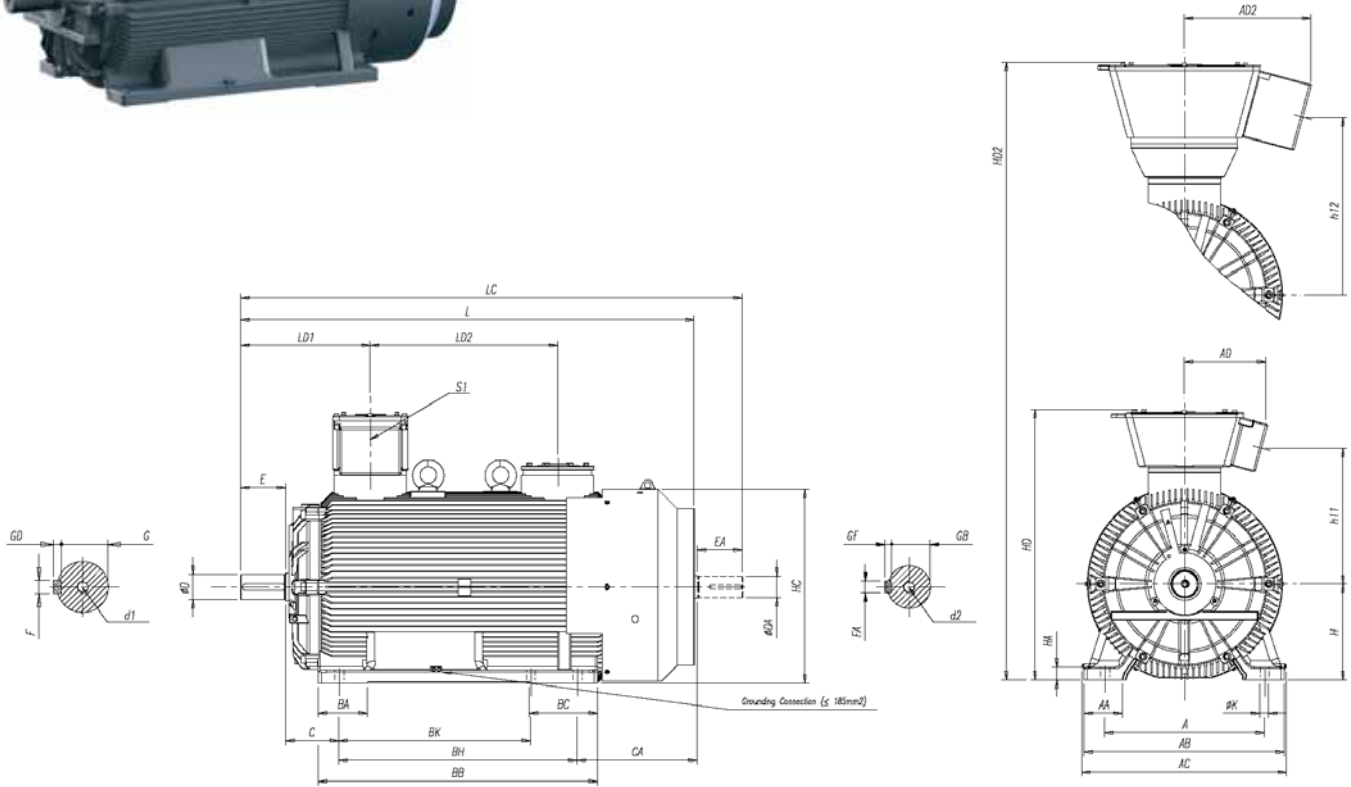
- All the dimensions are in millimeters.
- Please, do not use these dimensions for construction. Certified drawings under request.
- External thrust shall be informed at the time of Inquiry/Order.
- Executions with auxiliary terminal box and second shaft end are optional and available under request.
- For other special executions please refer to us.
- The dimensions shown are subject to change without prior notice.

OUTLINE DIMENSIONS

**IIC T4
I (M2)**

BFGC8 450KH IMB3T

Low Voltage



Poles	A	AA	AB	AC	AD ⁽¹⁾	BA	BB	BC	BK	BH	C	CA	H	HA	HC	HD ⁽¹⁾	h11 ⁽¹⁾	K	L	LC	LD1	LD2
2P	750	180	940	957	388	230	1310	320	900	1120	250	564	450	60	908	1269	654	42	2089	2244	568	880
4P+																			2129	2354	608	

Poles	Shaft dimensions												Bearings		Power terminal box - S1 ⁽¹⁾
	D	E	F	G	GD	DA	EA	FA	GB	GF	d1	d2	D.E	N.D.E	CEFGH 340
2P	85m6	170	22h9	76	14	75	140	20h9	67,5	12	DSM20	DSM20	N218C3 + 6218C3	N218	I ≤ 900A : 2xM63x1,5 + 1xM20x1,5
4P+	120m6	210	32h9	109	18	100	210	28h9	90	16	DSM24	DSM20	6326C3	6326C3	900A < I ≤ 1090A : 4xM63x1,5 + 1xM20x1,5

I > 1090A				
Poles	AD2	HD2	h12	Power terminal box - CEFGH 500 - S1
2P	594	1562	853	1090A < I ≤ 1900A : 4xM63x1,5 + 1xM20x1,5
4P+				

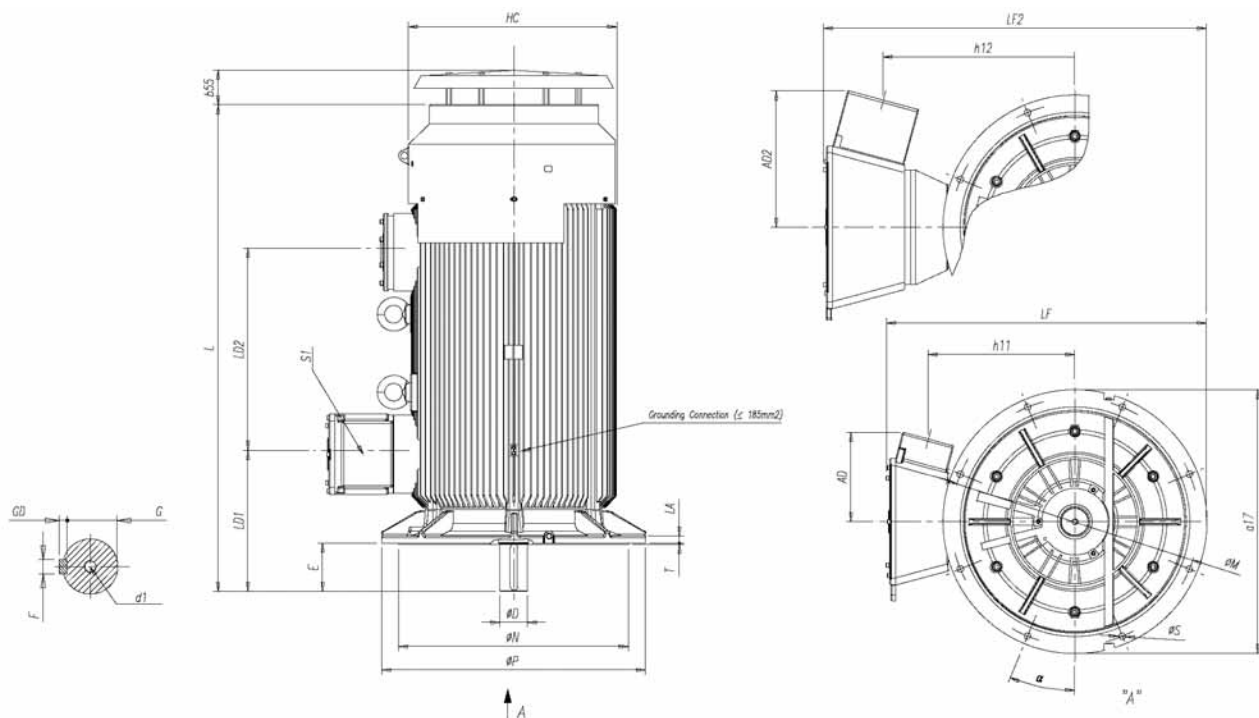
- Notes: (1) I ≤ 1090A
- All the dimensions are in millimeters.
 - Please, do not use these dimensions for construction. Certified drawings under request.
 - External thrust shall be informed at the time of Inquiry/Order.
 - Executions with auxiliary terminal box and second shaft end are optional and available under request.
 - For other special executions please refer to us.
 - The dimensions shown are subject to change without prior notice.

OUTLINE DIMENSIONS

IIC T4
I (M2)

Low Voltage

BFGC8 450KH IMV1



Poles	AD ⁽¹⁾	HC	h11 ⁽¹⁾	L	LA	LD1	LD2	LF ⁽¹⁾	a17	b55	M	N	P	T	S	Nr. Holes	α
4P+	388	908	654	2129	30	608	880	1394	1150	153	1080	1000	1150	6	30	8	22,5°

Poles	Shaft dimensions						Bearings		Power terminal box - S1 ⁽¹⁾
	D	E	F	G	GD	d1	D.E	N.D.E	CEFGH 340
4P+	120m6	210	32h9	109	18	DSM24	7326	6326C3	I ≤ 900A : 2xM63x1,5 + 1xM20x1,5 900A < I ≤ 1090A : 4xM63x1,5 + 1xM20x1,5

I > 1090A			
Poles	AD2	LF2	h12
4P+	594	1688	853
Power terminal box - CEFGH 500 - S1			
1090A < I ≤ 1900A : 4xM63x1,5 + 1xM20x1,5			

Notes: (1) I ≤ 1090A

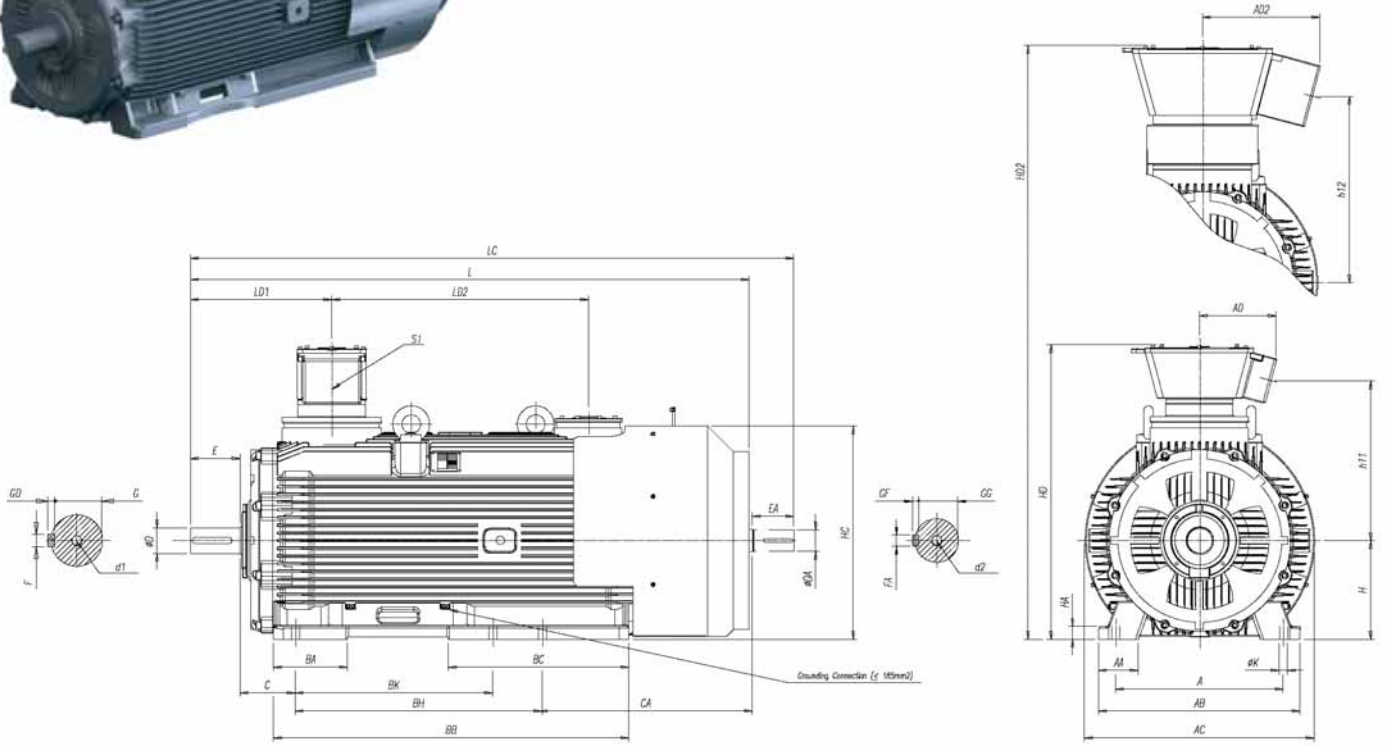
- All the dimensions are in millimeters.
- Please, do not use these dimensions for construction. Certified drawings under request.
- External thrust shall be informed at the time of Inquiry/Order.
- Executions with auxiliary terminal box and second shaft end are optional and available under request.
- For other special executions please refer to us.
- The dimensions shown are subject to change without prior notice.

OUTLINE DIMENSIONS

**IIC T4
I (M2)**

Low Voltage

W22XC 500KH IMB3T



Poles	A	AA	AB	AC	AD ⁽¹⁾	BA	BB	BC	BK	BH	C	CA	H	HA	HC	HD ⁽¹⁾	h11 ⁽¹⁾	K	L	LC	LD1	LD2
2P	850	200	1020	1162	388	375	1800	915	1000	1250	280	1080	500	65	1081	1490	808	42	2750	2905	635	1300
4P+																			2830	3055	715	

Poles	Shaft dimensions											Bearings		Power terminal box - S1 ⁽¹⁾	
	D	E	F	G	GD	DA	EA	FA	GB	GF	d1	d2	D.E	N.D.E	CEFGH 340
2P	90m6	170	25	81	14	75	140	20	67,5	12	DSM24	DSM20	NU220C3 + 6020C3	NU220C3	I ≤ 900A: 2xM63x1,5 + 1xM20x1,5
4P+	130m6	250	32	119	18	110	210	28	100	16	DSM24	DSM24	6328C3	6328C3	900A < I ≤ 1090A: 4xM63x1,5 + 1xM20x1,5

I > 1090A				
Poles	AD2	HD2	h12	Power terminal box - CEFGH 500 - S1
2P	594	1704	946	1090A < I ≤ 1900A: 4xM63x1,5 + 1xM20x1,5
4P+				

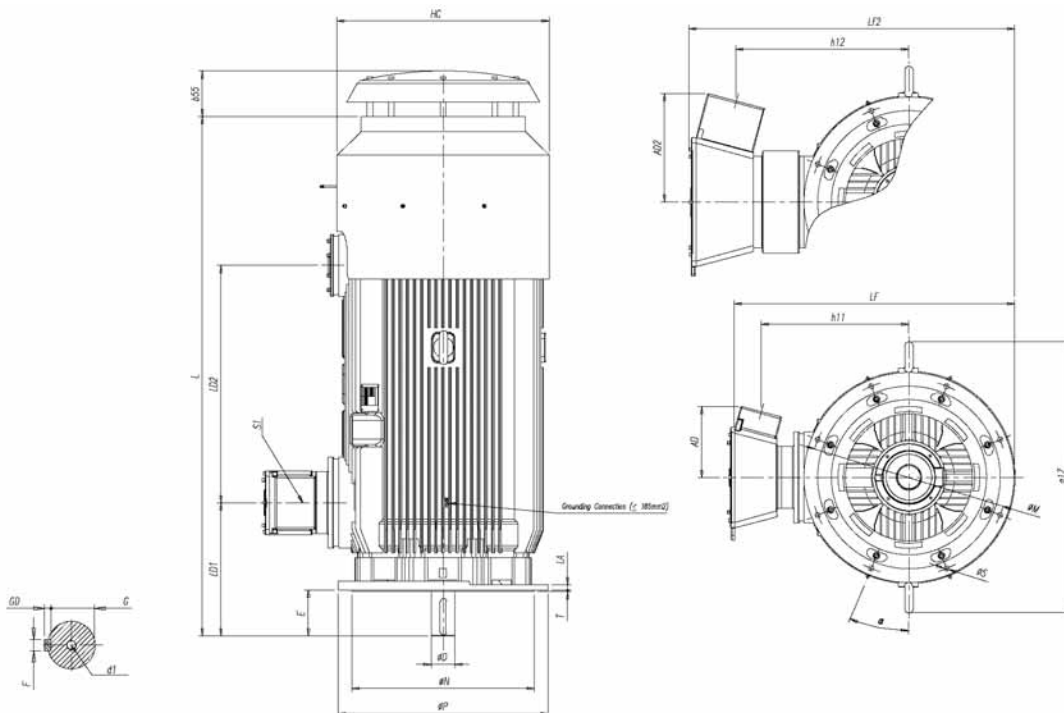
- Notes: (1) I ≤ 1090A
- All the dimensions are in millimeters.
 - Please, do not use these dimensions for construction. Certified drawings under request.
 - External thrust shall be informed at the time of Inquiry/Order.
 - Executions with auxiliary terminal box and second shaft end are optional and available under request.
 - For other special executions please refer to us.
 - The dimensions shown are subject to change without prior notice.

OUTLINE DIMENSIONS

IIC T4
I (M2)

Low Voltage

W22XC 500KH IMV1



Poles	AD ⁽¹⁾	HC	h11 ⁽¹⁾	L	LA	LD1	LD2	LF ⁽¹⁾	a17	b55	M	N	P	T	S	Nr. Holes	α
4P+	388	1162	808	2830	30	715	1300	1536	1482	250	1080	1000	1150	7	28	8	22,5°

Poles	Shaft dimensions						Bearings		Power terminal box - S1 ⁽¹⁾	
	D	E	F	G	GD	d1	D.E	N.D.E	CEFGH 340	
4P+	130m6	250	32h9	119	18	DSM24	7328	6328C3	I ≤ 900A : 2xM63x1,5 + 1xM20x1,5 900A < I ≤ 1090A : 4xM63x1,5 + 1xM20x1,5	

I > 1090A				
Poles	AD2	LF2	h12	Power terminal box - CEFGH 500 - S1
4P+	594	1785	946	1090A < I ≤ 1900A : 4xM63x1,5 + 1xM20x1,5

Notes: (1) I ≤ 1090A

- All the dimensions are in millimeters.
- Please, do not use these dimensions for construction. Certified drawings under request.
- External thrust shall be informed at the time of Inquiry/Order.
- Executions with auxiliary terminal box and second shaft end are optional and available under request.
- For other special executions please refer to us.
- The dimensions shown are subject to change without prior notice.

3.3 LOW VOLTAGE NON SPARKING MOTORS BFN6

3.3.1 PRODUCT SPECIFICATION

Range

The present catalogue refers to TEFC, Low Voltage, three phase, squirrel cage induction motors, ribbed frames, BFN series, with shaft height from 315 to 500 mm, with following powers:

	KW	RPM
160 up to	1000 kW	3000 RPM
160 up to	1400 kW	1500 RPM
110 up to	1000 kW	1000 RPM
90 up to	900 kW	750 RPM

Even for outputs above 90kW, this range of motors has high efficiency design and is in line with the same levels of efficiency classification EFF2 as established between CEMEP and European Community.

Particular specifications related to Hazardous Areas

The motor series **BFN6** have the specification code **Ex nA**, and comply with European Standards listed on paragraph 1.2.2, for the gases group II and Temperature Class **T3**.

This motor series has the **CE** marking in compliance with European Directive **94/4/EC (ATEX)**, and are classified as equipment **Group II** (Surface Industries), Category **3**, suitable to use on **Zones 2** – Gases and Vapours (**G**).

The Non Sparking motors in this catalogue are third party certified by Ex Notified Body Baseefa in UK, accredited organization by EU.

Construction

- **Mechanical protection:** IP55.
- **Insulation:** Class F.
- **Temperature rise:** 80 K.
- **Frames:** are in cast iron.
- **Terminal boxes:**
For frame sizes 315L and above, the terminal boxes are separated from the motor frame and are in cast iron with a pressed steel cover. As standard, the terminal boxes are supplied with cable entry on right hand side viewed from the drive end, however, this may be rotated by 180° to permit cable entry on the left hand side.
As option, special terminal box arrangement and sizes are available in fabricated steel
- **Endshields/flanges:** are in **cast iron**.
- **Fans:**
For frames 315L and above, the fans are made from **polypropylene, aluminium alloy** or **fabricated steel**, depending on the frame sizes and the speeds.
- **Fan covers:** are in **pressed** or **fabricated steel**.
- **Finish:** Industrial paint system, standard color **RAL 5010**

Voltage and frequency

Frame size 315L:

As standard, these motors are wound to operate on either 50Hz or 60Hz, over the following voltage ranges:
 Δ 380-415V - 50Hz / 440-480V - 60 Hz

A tolerance of -5% up to +6% is permitted for any value of rated voltage within these intervals. The electrical data described in the present catalogue, is based on the standard supply voltage 400V. Depending on actual supply voltages/frequencies, this data may vary slightly but the variations will generally remain within the tolerances given in **IEC 60034-1**.

Frame sizes 355 and above:

These motors are spot wound for any voltage within the following range:
 $380V \leq U \leq 690V$ 50Hz for powers up to and including 630kW
 $500V \leq U \leq 690V$ 50Hz for powers above 630kW

Basic design

Cooling method:

The cooling method is IC 411 in accordance with standard **IEC 60034-6** - motors cooled by an external fan.

Direction of rotation:

On frame sizes 315 (all speeds) and frames 355/400 (4 pole and above), as standard the motors are fitted with a bi-directional fan. On remaining frames the fans are unidirectional, leaving the factory as standard on CW direction viewed from shaft end with the phase sequence of U, V, and W. In these cases the direction of rotation must be specified with order.

Terminal boxes:

On **BFN6** motors, the main and auxiliary terminal box, are located at top of motor frame and can be rotated by 180° to suit cable entry from left or right hand side.

As standard the cable entries are on the right hand side when viewed from shaft end.

Note: customer shell refer cable entry direction with order.

Protections/Auxiliaries:

As standard the **BFN6** motors frame sizes 315 and above are fitted with 3 PTC thermistors (triple, 2 wire), connected in to the main terminal box. Under request the motors can be fitted with anti-condensation heaters, or other type of protections either on windings and bearings connected in to auxiliary terminal box.



■ **Earth connection:**

All motors are equipped with an earth screw inside of terminal box. A second external earth connection is also provided on motor frame, on foot or on flange depending on mounting form.

■ **Bearings:**

The bearing types indicated on this catalogue, refer to standard horizontal mounting form and for direct coupling. On frame sizes 315L and above, the motors are equipped on both sides with deep groove ball bearings, pre-loaded by an axial springwasher or springs, except the 2 pole motors frames 450 and 500, which are fitted with 3 bearings arrangement (roller+ball in DE and roller in NDE).

As optional execution under request, sleeve bearings can also be fitted in all frame sizes and polarities (self declaration or certification on request).

In the case of pulley/belt drive transmission, the drive end bearing can be replaced by a roller bearing.

On vertical mounting motors, the bearings can be thrust bearing types and are defined according to the axial loads involved on the application.

■ **Lubrication:**

As standard, when the motors are equipped with ball, roller, or other type of bearings, they are grease lubricated. Grease nipples and relief valves are provided to allow re-lubrication while the motor is running.

When the motors are fitted with sleeve bearings, as standard they are self lubricate type.

■ **Balancing:**

The motors are dynamically balanced with a half key, to meet the vibration limits of standard **IEC 60034-14, Grade A**. Under request **Grade B** can be provided. The D.E. and N.D.E. endshields are designed to fit, under request, optional captors for vibration monitoring detectors or other devices.



3.3.2 ELECTRICAL DATA - BFN6 SERIES

II T3

Non Sparking Motors - Ex nA

Low Voltage

II and IV Pole

												400 V, 50Hz						
Output KW HP		Frame IEC	T _n (Nm)	I _s /I _n	T _s /T _n	T _{max} /T _n	Inertia J Kgm ²	Allowable locked rotor time Hot/Cold (s)	Weight Kg	Sound dB (A)	rpm min ⁻¹	% of full load						I _n (A)
												Efficiency η			Power Factor Cos φ			
												50	75	100	50	75	100	
II Pole - 3000 min-1																		
160	215	BFN6 315L	513	6.8	1.9	3.1	1.6	14	1050	82	2978	93,9	95,3	95,9	0,81	0,88	0,90	268
200	270	BFN6 315L	641	7.0	1.7	3.2	2.0	15	1150	82	2978	94,7	95,6	96,2	0,84	0,89	0,91	330
250	340	BFN6 315L	801	7.5	1.8	2.9	2.3	11	1250	82	2981	95,3	96,3	96,6	0,82	0,89	0,91	411
250	340	BFN6 355MLJ	801	6.2	1.5	2.9	2.9	17	1450	80	2980	94,3	95,7	96,2	0,82	0,87	0,89	421
280	380	BFN6 355MLJ	898	6.0	1.5	2.7	3.2	16	1600	80	2978	94,8	96,0	96,4	0,84	0,88	0,89	471
315	425	BFN6 355MLJ	1009	6.6	1.8	3.0	3.4	10	1700	80	2980	95,1	96,2	96,6	0,83	0,88	0,90	523
355	480	BFN6 355MLJ	1138	6.6	1.7	3.0	3.9	11	1800	80	2980	95,4	96,3	96,7	0,83	0,88	0,90	589
400	540	BFN6 355MLJ	1281	7.3	2.2	3.1	4.5	7	2050	80	2982	96,0	96,8	97,1	0,84	0,89	0,90	661
450	610	BFN6 355MLJ (1)	1441	7.5	2.2	3.2	5.0	7	2150	80	2983	96,0	96,8	97,1	0,84	0,88	0,90	743
450	610	BFN6 400L	1440	7.5	2.0	3.4	8.0	7	2450	80	2985	95,5	96,6	97,1	0,84	0,89	0,91	735
500	675	BFN6 400L	1600	7.5	1.9	3.2	8.4	6	2600	80	2985	95,9	96,9	97,3	0,85	0,89	0,91	815
560	755	BFN6 400J	1790	7.6	2.3	3.4	9.4	5	2950	80	2987	96,0	96,9	97,3	0,85	0,89	0,91	913
630	850	BFN6 400J (1)	2014	8.2	2.8	3.6	10.3	5	3300	80	2987	96,4	97,1	97,3	0,88	0,91	0,91	1027
630	850	BFN6 400G (3)	2014	7.5	1.0	3.1	11.7	17	3800	80	2987	96,5	97,0	97,5	0,88	0,91	0,91	1025
710	960	BFN6 450KH (3)(4)	2269	6.8	1.3	2.9	23.0	9	4400	80	2988	96,3	97,2	97,6	0,88	0,90	0,91	669
800	1080	BFN6 500H (3)(4)																
900	1215	BFN6 500H (3)(4)																
1000	1350	BFN6 500H (3)(4)																
IV Pole - 1500 min-1																		
160	215	BFN6 315L	1029	6.8	2.0	2.5	2.6	17	1050	82	1485	93,9	95,0	95,3	0,74	0,82	0,86	282
200	270	BFN6 315L	1287	6.9	2.1	2.5	2.6	13	1150	82	1484	93,9	95,0	95,3	0,73	0,81	0,85	356
250	340	BFN6 315L	1608	7.5	2.5	2.5	3.7	9	1250	82	1485	94,9	95,8	96,0	0,75	0,83	0,86	437
250	340	BFN6 355MLJ	1605	6.7	2.0	2.3	5.3	10	1450	80	1488	94,3	95,5	96,0	0,74	0,82	0,85	442
280	380	BFN6 355MLJ	1797	6.9	2.1	2.4	5.9	9	1550	80	1488	94,6	95,8	96,2	0,72	0,82	0,85	494
315	425	BFN6 355MLJ	2022	6.9	2.1	2.4	6.6	9	1650	80	1488	95,0	96,0	96,4	0,75	0,82	0,85	555
355	480	BFN6 355MLJ	2277	7.4	2.6	2.6	7.4	6	1850	80	1489	96,1	96,3	96,5	0,73	0,81	0,85	625
400	540	BFN6 355MLJ	2567	7.0	2.5	2.5	8.7	6	2100	80	1488	95,5	96,3	96,6	0,78	0,84	0,87	687
450	610	BFN6 355MLJ (1)	2888	7.1	2.4	2.4	9.8	7	2250	80	1488	95,7	96,5	96,8	0,76	0,84	0,87	771
450	610	BFN6 400L	2884	6,7	1,6	2,6	12,7	16	2500	80	1490	96,1	96,6	97,0	0,80	0,85	0,87	770
500	675	BFN6 400L	3205	6,7	1,6	2,6	13,9	16	2700	80	1490	96,4	96,9	97,0	0,79	0,85	0,87	855
560	755	BFN6 400J	3589	6,8	1,7	2,6	14,7	13	2750	80	1490	96,5	97,0	97,1	0,78	0,85	0,87	957
630	850	BFN6 400J	4038	7,5	2,1	2,8	15,8	9	2950	80	1490	96,4	96,9	97,1	0,75	0,83	0,87	1076
710	960	BFN6 400J (1)(4)	4551	6,5	1,8	2,0	16,3	10	3050	80	1490	95,8	96,5	96,6	0,79	0,85	0,86	715
710	960	BFN6 400G (3)(4)	4542	7,5	2,5	2,4	18,2	5	3450	80	1493	96,5	96,6	97,0	0,80	0,86	0,87	704
800	1080	BFN6 400G (1)(3)(4)	5114	7,5	2,7	2,5	20,1	5	3800	86	1494	96,5	96,6	97,0	0,80	0,86	0,87	793
800	1080	BFN6 450KH (3)(4)	5121	7,0	2,0	2,9	22,6	13	4600	86	1492	96,2	97,0	97,3	0,78	0,85	0,87	791
900	1215	BFN6 450KH (3)(4)	5761	7,0	1,2	2,0	25,1	20	5400	86	1492	96,5	97,1	97,3	0,83	0,86	0,87	890
1000	1350	BFN6 500H (3)(4)	6397	7,5	1,7	2,5	49,7	5	8000	86	1493	96,3	97,0	97,2	0,83	0,86	0,87	989
1120	1515	BFN6 500H (3)(4)	7164	7,5	1,9	2,6	58,7	5	8400	86	1493	96,5	97,1	97,3	0,84	0,87	0,87	1107
1250	1690	BFN6 500H (3)(4)	7990	7,5	1,8	2,6	67,8	5	8700	86	1493	96,5	97,1	97,3	0,84	0,87	0,87	1236
1400	1890	BFN6 500H (1)(3)(4)	8955	7,5	1,9	2,7	72,3	5	9500	86	1493	96,5	97,1	97,3	0,84	0,87	0,87	1384

(1) - Temperature rise class F at full load (2) - Standard motor with sleeve bearings (3) - Copper rotor (4) - Rated current at 690V

T_n = Full load torque I_s / I_n = Locked rotor current T_s / T_n = Locked rotor torque T_{max} / T_n = Breakdown torque I_n = Full load current

Notes: - Motor frame 500, 2 pole 50Hz, available under request.

- The motors can also operate on a 60Hz supply. For motors frames 450 and 500 2 pole, please refer to us.

- To obtain electrical data for 60Hz, please refer to us

- All values are according to IEC 60034-1 tolerances.

- The indicated values for sound pressure levels are @ 1m no load, with 3 dB(A) tolerance.

- This data can be changed without prior notice.

Standard voltage, connection and frequency:

400V Δ 50Hz

690V Y 50Hz

VI and VIII Pole

											400V, 50Hz							
Output KW HP		Frame IEC	T _n (Nm)	I _s /I _n	T _s /T _n	T _{max} /T _n	Inertia J Kg ^m ²	Allowable locked rotor time Hot/Cold (s)	Weight Kg	Sound dB (A)	rpm min ⁻¹	% of full load						I _n (A)
												Efficiency η			Power Factor Cos φ			
												50	75	100	50	75	100	
VI Pole - 1000 min-1																		
110	150	BFN6 315L	1063	7,4	2,6	2,9	4,3	20	1050	76	988	92,8	94,1	94,4	0,71	0,80	0,83	203
132	180	BFN6 315L	1276	7,4	2,5	2,6	4,9	17	1150	76	988	93,2	94,4	94,6	0,71	0,80	0,83	243
160	215	BFN6 315L	1547	7,4	2,4	2,5	6,2	17	1200	76	988	93,9	94,8	94,8	0,73	0,81	0,84	290
200	270	BFN6 315L	1935	7,3	2,4	2,5	7,6	17	1350	76	987	94,4	95,2	95,1	0,74	0,81	0,84	361
200	270	BFN6 355MLJ	1927	7,0	1,9	2,2	8,7	20	1550	76	991	94,0	95,2	95,4	0,73	0,80	0,83	365
250	340	BFN6 355MLJ	2409	7,0	1,9	2,1	10,4	20	1700	76	991	94,6	95,6	95,8	0,72	0,80	0,83	454
280	380	BFN6 355MLJ	2698	7,2	2,3	2,4	11,8	18	1950	76	991	94,8	95,8	96,0	0,72	0,80	0,84	501
315	425	BFN6 355MLJ	3039	7,0	2,3	2,5	13,1	17	2150	76	990	95,1	95,9	96,0	0,74	0,82	0,85	557
355	480	BFN6 355MLJ	3424	7,0	2,4	2,5	14,8	15	2250	76	990	95,3	96,0	96,1	0,74	0,82	0,85	627
400	540	BFN6 355MLJ (1)	3855	7,6	2,7	2,7	16,0	12	2400	76	991	95,4	96,1	96,3	0,73	0,81	0,85	705
400	540	BFN6 400L	3843	7,2	2,0	2,6	21,4	17	2400	76	994	95,4	96,2	96,5	0,73	0,81	0,84	712
450	610	BFN6 400L	4319	7,3	2,4	2,7	24,0	13	2800	76	995	95,2	96,2	96,5	0,71	0,80	0,84	801
500	675	BFN6 400J	4804	7,4	2,4	2,6	28,1	12	3000	76	994	95,7	96,4	96,6	0,77	0,83	0,85	879
560	755	BFN6 400J (1)(3)	5375	7,4	2,2	2,4	27,8	6	3350	76	995	95,5	96,4	96,6	0,75	0,82	0,85	984
560	755	BFN6 400G (3)	5375	7,6	2,4	2,1	31,2	6	3700	76	995	96,0	96,4	96,5	0,80	0,84	0,85	985
630	850	BFN6 400G (1)(3)	6041	7,8	2,6	2,7	35,8	5	4300	76	996	96,0	96,4	96,5	0,79	0,84	0,85	643
630	850	BFN6 450KH (3)	6053	5,5	1,0	2,2	47,4	20	4650	78	994	96,1	96,8	97,0	0,80	0,85	0,86	1090
710	960	BFN6 450KH (3)(4)	6821	6,0	1,2	2,2	52,9	20	5050	78	994	96,2	96,9	97,2	0,78	0,84	0,86	711
800	1080	BFN6 500H (3)(4)	7671	5,5	0,6	3,1	70,5	20	8400	80	996	95,8	96,8	97,2	0,78	0,84	0,86	801
900	1215	BFN6 500H (3)(4)	8630	6,5	0,8	3,5	79,3	20	8700	80	996	95,6	96,7	97,3	0,80	0,85	0,86	900
1000	1350	BFN6 500H (1)(3)(4)	9598	5,7	0,7	3,1	88,1	20	9100	80	995	95,6	96,7	97,3	0,80	0,85	0,87	988
VIII Pole - 750 min-1																		
90	120	BFN6 315L	1161	7,1	2,8	2,9	5,5	20	950	73	740	92,8	93,9	94,0	0,64	0,74	0,79	175
110	150	BFN6 315L	1420	7,1	2,8	2,9	6,7	17	1100	73	740	93,3	94,0	94,0	0,66	0,75	0,79	214
132	180	BFN6 315L	1704	7,0	2,5	2,5	7,9	16	1250	73	740	92,9	94,0	94,1	0,67	0,76	0,79	256
160	215	BFN6 315L (1)	2065	7,2	2,6	2,6	9,3	9	1300	73	740	92,8	94,0	94,2	0,65	0,75	0,79	310
160	215	BFN6 355MLJ	2059	6,5	1,7	2,0	12,4	20	1300	70	742	94,0	94,9	95,1	0,70	0,78	0,81	300
200	270	BFN6 355MLJ	2571	6,5	1,9	2,1	14,6	20	1500	70	743	94,3	95,2	95,4	0,68	0,77	0,81	374
250	340	BFN6 355MLJ	3213	6,5	2,0	2,2	18,1	20	1850	70	743	95,7	96,5	96,6	0,68	0,77	0,81	466
280	380	BFN6 355MLJ	3599	6,5	2,3	2,3	20,5	20	2000	70	743	95,1	95,8	95,8	0,70	0,78	0,81	521
315	425	BFN6 355 MLJ (1)	4049	6,7	2,5	2,5	21,8	18	2200	70	743	95,0	95,5	95,5	0,69	0,77	0,81	587
315	425	BFN6 400L	4038	7,0	2,8	2,8	25,7	14	2250	70	745	95,6	96,5	96,7	0,68	0,77	0,82	573
355	480	BFN6 400L	4551	7,0	2,9	2,9	28,8	14	2500	70	745	94,9	95,8	96,1	0,66	0,76	0,81	658
400	540	BFN6 400L	5128	7,0	3,1	3,1	31,1	11	2750	70	745	95,2	95,9	96,1	0,67	0,76	0,81	742
450	610	BFN6 400J (3)	5761	7,5	3,4	3,4	37,7	5	3350	70	746	95,6	96,3	96,5	0,68	0,78	0,82	821
500	675	BFN6 400G (3)	6418	6,0	1,8	2,7	44,4	13	4350	70	744	95,6	96,3	96,5	0,70	0,79	0,82	912
560	755	BFN6 450G (1)(3)	7188	6,0	1,8	2,7	49,2	11	4850	70	744	95,6	96,3	96,5	0,70	0,79	0,82	1021
560	755	BFN6 450KH (3)	7169	7,2	2,1	2,4	73,5	14	5100	76	746	95,0	96,0	96,3	0,74	0,80	0,82	1024
630	850	BFN6 450KH (1)(3)	8065	7,4	2,2	2,5	80,8	13	5400	76	746	95,0	96,0	96,3	0,74	0,80	0,82	668
630	850	BFN6 500H (3)	8054	6,0	0,8	2,5	86,9	20	7600	80	747	95,6	96,4	96,6	0,73	0,80	0,83	657
710	960	BFN6 500H (3)(4)	9077	6,0	0,8	2,5	98,5	20	8100	80	747	95,6	96,4	96,6	0,73	0,80	0,83	741
800	1080	BFN6 500H (3)(4)	10228	6,0	0,8	2,5	111,0	20	8400	80	747	95,6	96,4	96,6	0,73	0,80	0,83	835
900	1215	BFN6 500H (1)(3)(4)	11521	6,0	0,8	2,1	122,6	20	8700	80	746	95,6	96,4	96,6	0,73	0,80	0,83	939

(1) - Temperature rise class F at full load (2) - Standard motor with sleeve bearings (3) - Copper Rotor (4) - Rated current at 690V

T_n = Full load torque I_s / I_n = Locked rotor current T_s / T_n = Locked rotor torque T_{max} / T_n = Breakdown torque I_n = Full load current

Notes: - Motor frame 500, 2 pole 50Hz, available under request.

- The motors can also operate on a 60Hz supply.
- To obtain electrical data for 60Hz, please refer to us
- All values are according to IEC 60034-1 tolerances.
- The indicated values for sound pressure levels are @ 1m no load, with 3 dB(A) tolerance.
- This data can be changed without prior notice.

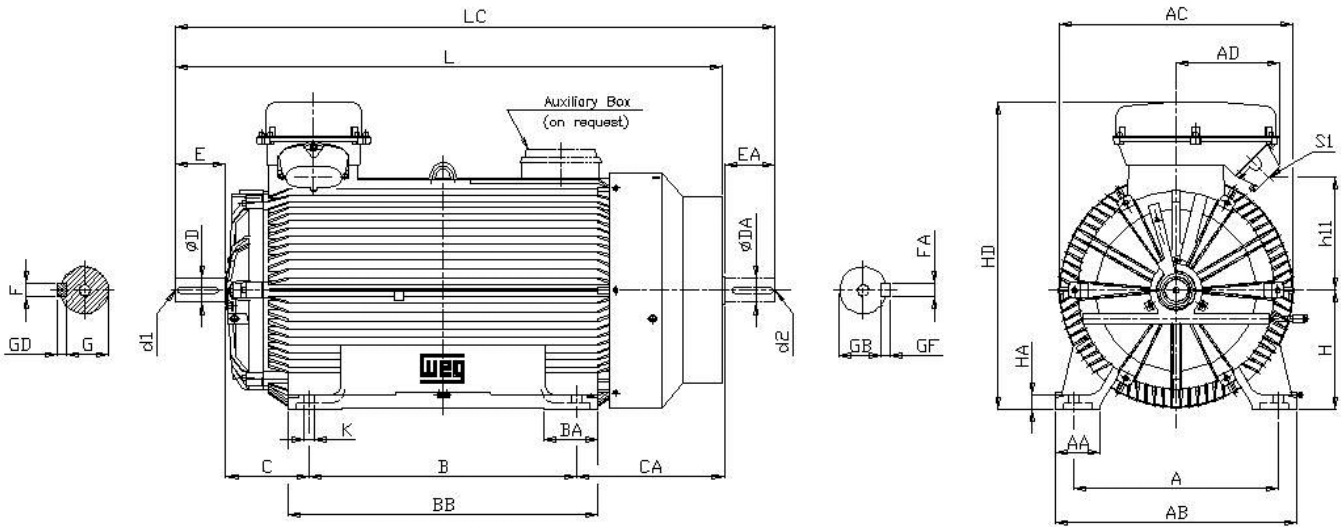
Standard voltage, connection and frequency:
400V Δ 50Hz
690V Y 50Hz

3.3.3 OUTLINE DIMENSIONS - BFN6 SERIES

II T3

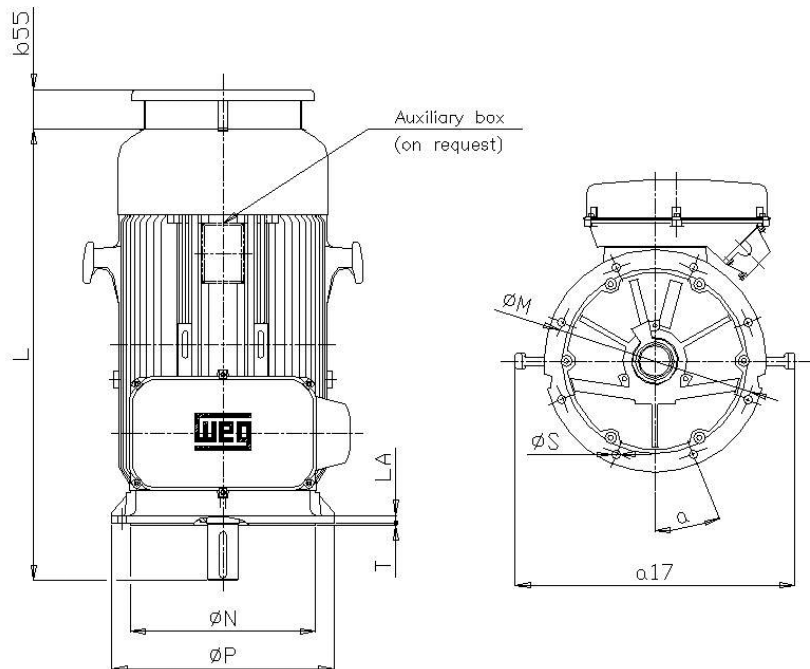
Non Sparking Motors - Ex nA

Low Voltage



Frame	A	AA	AB	AC	AD	B	BA	BB	C	CA	Shaft Dimensions												H	HA	HD	h11	K	L	LC	S1	d1	d2	Bearings	
											D	E	F	G	GD	DA	EA	FA	GB	GF	D.E	N.D.E												
315L (1)	508	125	632	622	508	155	610	216	445	90m6	170	25	81	14	70m6	140	20	62.5	12	315	40	863	286	28	1327	1479	2xM63x1,5 + 1xM20x1,5	DSM24	DSM20	6319 C3	6219 C3			
315L (2)										70m6	140	20	62.5	12	60m6	140	18	53	11	1297	1449	6316 C3												
355MLJ (1)	610	130	730	705	560	170	920	254	530	100m6	210	28	90	16	80m6	170	22	71	355	45	932	315	35	1779	1964	2xM63x1,5 + 1xM20x1,5	DSM24	DSM20	6222 C3	6219 C3				
355MLJ (2)					800					75m6	140	20	67.5	12	60m6	140	18	53	11	1709	1864	6219 C3												
400L (1)	686	150	810	785.5	710	180	1040	280	575	110m6	210	28	100	16	80m6	170	22	71	400	50	1032	370	35	1760	1945	2xM63x1,5 + 1xM20x1,5	DSM24	DSM20	6324 C3	6318 C3				
400L (2)										80m6	170	22	71	14	60m6	140	18	53						11	1720				1875		6318 C3			
400J (1)	686	150	810	785.5	900	180	1040	280	575	110m6	210	28	100	16	80m6	170	22	71	400	50	1032	370	35	1950	2135	2xM63x1,5 + 1xM20x1,5	DSM24	DSM20	6324 C3	6318 C3				
400J (2)										80m6	170	22	71	14	60m6	140	18	53						11	1910				2065		6318 C3			
400G (1)	686	150	810	785.5	1120	1280	280	575	575	110m6	210	28	100	16	80m6	170	22	71	400	50	1032	370	35	2190	2375	2xM63x1,5 + 1xM20x1,5	DSM24	DSM20	6324 C3	6318 C3				
400G (2)										80m6	170	22	71	14	60m6	140	18	53						11	2150				2305		6318 C3			
450KH (1)	750	180	940	896.5	900	230	1310	250	564	120m6	210	32	109	18	100m6	210	28	90	450	60	1152	436	42	2129	2354	2xM63x1,5 + 1xM20x1,5	DSM24	DSM20	6326 C3	6326 C3				
450KH (2)	Available on request																																	
500K (1)	850	180	1020	994	358	1000	300	1310	280	920	130m6	250	32	119	18	110m6	210	28	100	500	65	1260	496	42	2435	2660	2xM63x1,5 + 1xM20x1,5	DSM24	DSM20	6328 C3	6328 C3			
500K (2)	Available on request																																	
500H (1)	850	180	1020	994	358	1250	300	1560	280	920	130m6	250	32	119	18	110m6	210	28	100	500	65	1260	496	42	2685	2910	2xM63x1,5 + 1xM20x1,5	DSM24	DSM24	6328 C3	6328 C3			
500H (2)	Available on request																																	

NOTES: (1) 1500, 1000 and 750 rpm (2) 3000 rpm (3) or 6222 C3 for 4 poles and plus machines, N.D.E (4) For 60Hz please refer to us



Frame	"FF" Flange Dimensions							Nr. holes	a17	
	Flange	b55	LA	M	N	P	T			
315 L	FF-600	1165	22	600	550	660	6	24	8	830
355 MLJ	FF-740	125	25	740	680	800		24		910
400 L/J/G	FF-940	131	28	940	880	1000	7	28	8	980
450 KH	FF-1080	131	30	1080	1000	1150		28		1140
500 KH	FF-1080	131	30	1080	1000	1150	7	28	8	1340

* 2 pole motors under request.

- Notes: - All the dimensions are in millimeters.
 - For all vertical applications or unusual coupling conditions, the customer shall inform the load figure with the inquiry/order.
 - Construction drawings with guaranteed values are available under request.
 - Shaft dimensions for 2 pole motors, only for direct coupling.
 - For motor frames 450 and 500, 2 pole, V1 refer to us.
 - Execution with auxiliary terminal box and second shaft end available on request.
 - Terminal boxes for motors with rated current higher than 1000A, entry dimensions: 4xM63x1,5. Other dimensions on request.
 - For vertical mounting, the D.E. bearing is replaced by an angular contact type, except for frame 315L (replaced by 7220 (1) or 7219 (2)).
 - The average values shown are subject to change without prior notice.

4. MEDIUM VOLTAGE MOTORS FOR HAZARDOUS AREAS

- Flameproof - BFG Series**
- Flameproof - BFGC Series**
- Flameproof - W22XB/BFG8 Series**
- Flameproof - W22XC/BFGC8 Series**
- Flameproof - W22XM/BFGM8 Series**
- Non Sparking - BFN Series**



Totally enclosed IP55
Squirrel cage rotor

4.1 MEDIUM VOLTAGE FLAMEPROOF MOTORS BFG6 / BFGC3 / BFGC4 AND BFGC8

4.1.1 PRODUCT SPECIFICATION - ALL BFG(C) SERIES

■ Range

The present catalogue refers to TEFC Flameproof, Medium Voltage, three phase, squirrel cage induction motors up to 6600V, ribbed frames, **BFGC3** series with shaft height from 315 to 400 mm, and **BFG6** series with shaft height 355, 400 and 450 mm, with the following powers:

Motor series BFGC (IIC):		Motor series BFG (IIB):	
KW	RPM	KW	RPM
90 up to 500 kW	3000 RPM	160 up to 800 kW	3000 RPM
90 up to 500 kW	1500 RPM	160 up to 900 kW	1500 RPM
90 up to 400 kW	1000 RPM	132 up to 710 kW	1000 RPM
90 up to 280 kW	750 RPM	90 up to 560 kW	750 RPM

■ Particular specifications and standards related to Hazardous Areas

The motor series **BFGC** and **BFG** comply with European Standards listed on paragraph 1.2.2 and are suitable for the following Groups of Gases and Temperature Classes:

- motor series **BFGC**: Gases of **Group IIC** and temperature class **T4**
- motor series **BFG**: Gases of **Group IIB** and temperature class **T4**

Under request, are available other temperature classes on these motor series.

These motor series have the **CE** marking in compliance with European Directive **94/4/EC (ATEX)**, and are classified as equipment group II (Surface Industries), suitable to use on the following zones:

- category **2**, for Zones **1** and **2** – Gases and Vapours (**G**).
 - category **3**, for Zone **22** – Dust (**D**).
- Special design to suit Zone **21** will be available on request.

As standard execution, the motors are fitted with flameproof terminal boxes for gases of group **IIB** or **IIC**, with specification code **Ex d, IIB** or **Ex d, IIC**. Under request and as an alternative execution these motors can be fitted with an Increased Safety terminal box. In this case the description code is **Ex de, IIB** or **Ex de, IIC**

The flameproof motors in this catalogue are certified according to the above standards, by the Notified Body ISSEP (formerly INIEX) in Belgium, INERIS in France, both accredited organization by EU.

■ Construction

- **Mechanical protection**: IP 55.
- **Insulation**: Class F.
- **Temperature rise**: 80 K.
- **Frames**: are in cast iron.
- **Terminal boxes**: are in cast iron.
- **Endshields**: are in cast iron.
- **Fans**:
 - on frame size 315 are in polypropylene.
 - on frames 355 and above, are in polypropylene, aluminium alloy or fabricated steel.
- **Fan cover**: in cast iron or pressed steel, capable to withstand impact of 7 Joule.
- **Finish**: industrial paint system, standard color **RAL 5010 (IIB)** and **RAL 7001 (IIC)**.

■ Voltage and frequency

The performance data referred in the present catalogue is for motors operating with a voltage of **6000V ± 5%** and a frequency of **50Hz ± 2%**, on continuous service.

For voltages of **6600V** all figures are equivalent, except the rated current (In), which shall be multiplied by a factor of 0,9. Under request are available other voltages up to **6600V**, and frequencies **50** or **60Hz**.

■ Basic design

■ Cooling method:

IC 411 in accordance with standard **IEC 60034-6** - motors cooled by an external fan.

■ Direction of rotation:

On frame sizes 315 (all speeds) and frames 355/400 (4 pole and above), as standard the motors are fitted with a bi-directional fan.

On remaining frames the fans are unidirectional, leaving the factory as standard on CW direction viewed from shaft end with the phase sequence of U, V, and W. In these cases the direction of rotation must be specified with the order.

■ Electrical connection:

3 terminals are provided for star connection with neutral point connected inside the windings.



■ Terminal boxes:

On BFG6 motors, the main terminal box is located at top of motor frame and can be rotated by 180° to permit the cable entry from left or right hand side.

On **BFGC3** motors, as standard, the mains terminal box is located on right hand side with option of left hand side. As standard, in all motors, the supply cable entries are on right hand side when viewed from shaft end.

Note: Customer shall refer cable entry directions with order.

■ Protections/Auxiliaries:

As standard the BFG and BFGC medium voltage motors are fitted with the following protections:

- 3 RTD's - Pt 100 – on windings, 1 per phase, 3 wires
- 2 RTD's - Pt 100 – on bearings, 1 per bearing, 3 wires
- Anti-condensation heaters – 230V

As option under request, the motors can be fitted with other number or type of protections either on windings and bearings. Protection/Auxiliaries are connected in two auxiliary terminal boxes.

On **BFGC3** Series, the auxiliary terminal box is located on opposite side of mains terminal box. The thermal protections on bearings are made in two individual auxiliary terminal boxes located on D.E and N.D.E side as standard configuration. It is also possible as option to have these protections connected in to a single auxiliary terminal box used for other Protections/Auxiliaries.

■ Earth connection:

All motors are equipped with an earth screw inside of terminal box. A second external earth connection is also provided on motor frame, on foot or on flange depending on mounting form.

■ Terminal box entries and cable glands:

As standard, the motors are not supplied with cable glands and the number of entry holes and respective dimensions are described on outline dimensions tables. However, considering that the cable entry makes part of the protection enclosure is recommended that the motors are supplied from factory fitted with cable glands. For this is necessary to specify with the order the complete cabling details (number of cables, specification, section and diameters), so that the motors can be supplied from factory fitted with suitable glands.

■ Bearings:

The **BFGC3** motors are equipped with a roller bearing on one side and a deep groove ball bearing on the other.

The **BFG6** motors are equipped on both sides with deep groove ball bearings, pre-loaded by an axial spring washer or springs, except 2 pole motors with frame sizes 450 which are manufactured as standard with 3 bearings arrangement (roller + ball in DE and roller in NDE).

As optional execution under request, **BFG6** motors can also be fitted with sleeve bearings. In the case of pulley/belt drive transmission, the drive end bearing can be replaced by a roller bearing. On vertical mounting motors, the bearings can be thrust bearing types and are defined according to the axial loads involved on the application.

■ Lubrication:

Ball or roller bearings are grease lubricated with lithium complex based grease. Grease nipples and relief valves are provided to allow re-lubrication while the motor is running.

■ Balancing:

The motors are dynamically balanced with half-key to meet the vibration limits of standard **IEC 60034-14**, Grade **A**.

Grade **B** can be provided under request.

The D.E. and N.D.E. endshields are designed to fit, under request, optional captors for vibration monitoring detectors or other devices.

Note: Full standard and optional features are detailed on paragraph 2.3.



4.1.2 ELECTRICAL DATA - BFG6 SERIES

IIB T4

Flameproof Motors - Ex d IIB T4 (Ex tD A21 IP6X T 135°C)

Medium Voltage

Flameproof Motors with Increased Safety Terminal Box - Ex de IIB T4 (Ex tD A21 IP6X T 135°C)

Table with columns for Output (KW, HP), Frame IEC, Tn (Nm), Is/In, Ts/Tn, Tmax/Tn, Inertia J Kg·m², Allowable locked rotor time Hot/Cold (s), Weight Kg, Sound dB (A), rpm min⁻¹, % of full load (Efficiency η, Power Factor Cos φ), and In(A). The table is divided into sections for II Pole - 3000 min-1, IV Pole - 1500 min-1, VI Pole - 1000 min-1, and VIII Pole - 750 min-1. Each section contains multiple rows of motor specifications.

(1) - Temperature rise class F at full load (2) - Standard motor with sleeve bearings (3) - Copper rotor (4) - Rated current at 690V

Tn = Full load torque Is / In = Locked rotor current Ts / Tn = Locked rotor torque Tmax / Tn = Breakdown torque In = Full load current

Notes: - The motors can also operate on a 60Hz supply. For motors frames 450 and 500 2 pole, please refer to us. - To obtain electrical data for 60Hz, please refer to us. - All values are according to IEC 60034-1 tolerances. - The indicated values for sound pressure levels are @ 1m no load, with 3 dB(A) tolerance. - This data can be changed without prior notice.

Standard voltage, connection and frequency: 6000V Y 50Hz

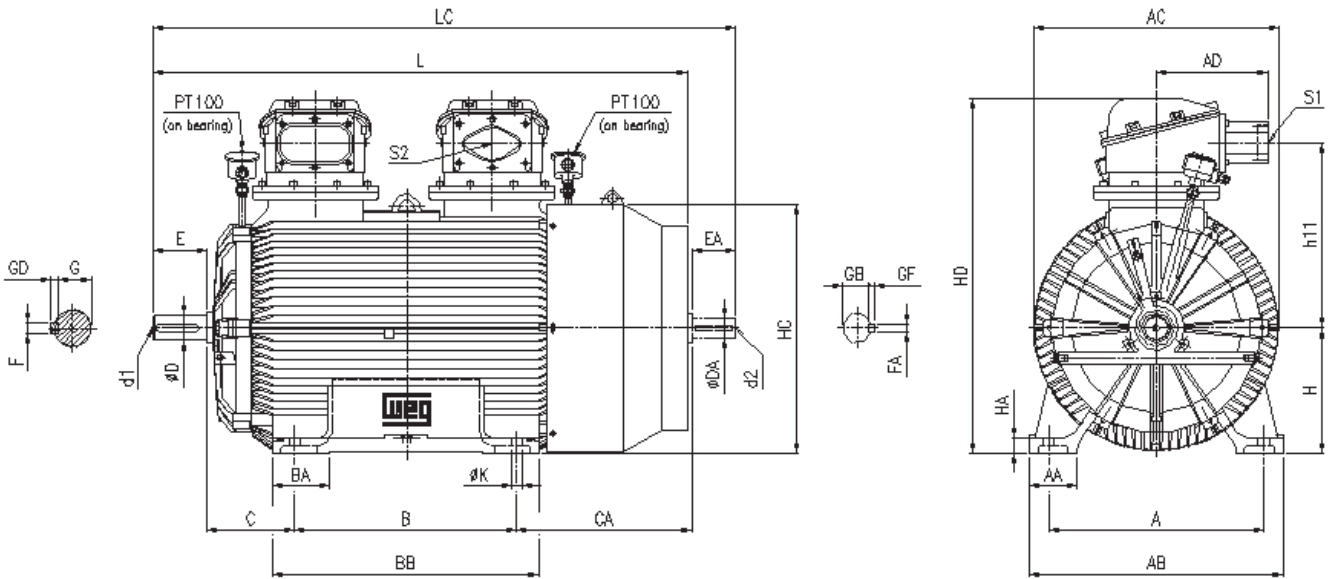
4.1.4 OUTLINE DIMENSIONS - BFG6 SERIES

IIB T4

Flameproof Motors - Ex d IIB T4 (Ex tD A21 IP6X T 135°C)

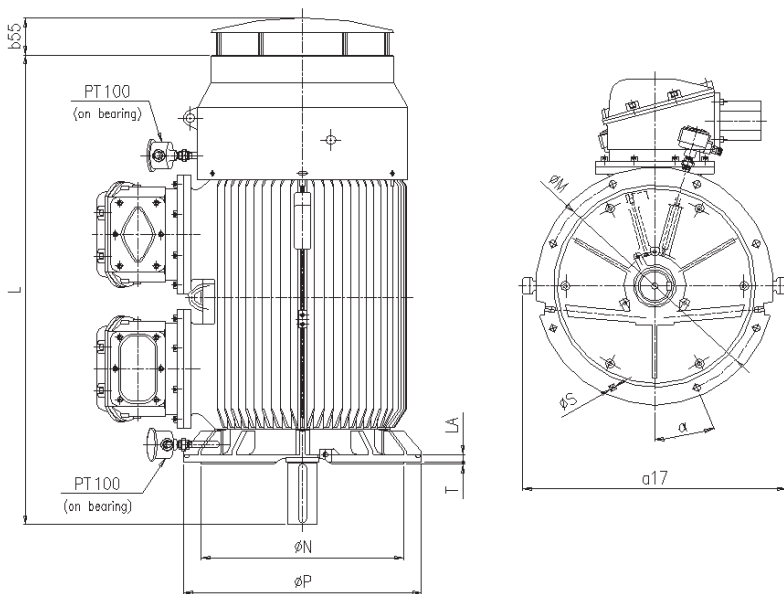
Medium Voltage

Flameproof Motors with Increased Safety Terminal Box - Ex de IIB T4 (Ex tD A21 IP6X T 135°C)



Frame	A	AA	AB	AC	AD	B	BA	BB	C	CA	Shaft Dimensions										H	HA	HC	HD	h11	K	L	LC	S1	S2	d1	d2	Bearings	
											D	E	F	G	GD	DA	EA	FA	GB	GF													D.E.	N.D.E.
355 MLJ (1)	610	130	730	705	356	560	170	920	254	515	100m6	210	28	90	16	80m6	170	22	71	14	355	45	707,5	1052	556	28	1764	1949	DS M24	6222 C3	6219 C3	(3)		
355 MLJ (2)						75m6					140	20	67,5	12	60m6	140	18	53	11	1694							1849	DS M20				6219 C3	(4)	
400 L (1)	686	150	810	785,5	356	710	180	1040	280	560	110m6	210	28	100	16	80m6	170	22	71	14	400	50	793	1132	591	35	1745	1930	DS M24	6324 C3	6318 C3	(4)		
400 L (2)											80m6	170	22	71	14	60m6	140	18	53	11							1705	1860				DS M20	6318 C3	(4)
400 J (1)	686	150	810	785,5	356	900	180	1040	280	560	110m6	210	28	100	16	80m6	170	22	71	14	400	50	793	1132	591	35	1935	2110	DS M24	6324 C3	6318 C3	(4)		
400 J (2)											80m6	170	22	71	14	60m6	140	18	53	11							1895	2050				DS M20	6318 C3	(4)
400 G (1)	686	150	810	785,5	356	1120	1280	1280	280	560	110m6	210	28	100	16	80m6	170	22	71	14	400	50	793	1132	591	35	2175	2350	DS M24	6324 C3	6318 C3	(4)		
400 G (2)											80m6	170	22	71	14	60m6	140	18	53	11							2135	2190				DS M20	6318 C3	(4)
450 KH (1)	750	180	940	896	356	800	230	1310	250	515	120m6	210	32	109	18	100m6	210	28	90	16	450	60	898	1187	596	42	2129	2354	DS M24	6326 C3	Sleeve Bearing	(4)		
450 KH (2)						85m6					170	22	76	14	75m6	140	20	67,5	12	-							-	-				-	-	-

NOTES: (1) 1500, 1000 and 750 rpm (2) 3000 rpm (3) or 6222 C3 for 4 poles and plus machines, N.D.E. (4) For 60 Hz please refer to us



Frame	*FF* flange dimensions												
	Flange	L	LA	M	N	P	T	S	α	Nr. holes	a17	b55	
355 MLJ (1)	FF-740	1749	25	740	680	800	6	24	28	22,5°	8	910	125
355 MLJ (2)		1679											
400 L (1)	FF-940	1730	28	940	880	1000	6	24	28	22,5°	8	980	131
400 L (2)		1690											
400 J (1)	FF-940	1920	28	940	880	1000	6	24	28	22,5°	8	980	131
400 J (2)		1880											
400 G (1)	FF-940	2160	28	940	880	1000	6	24	28	22,5°	8	980	131
400 G (2)		2120											
450 KH (1)	FF-1080	2118	30	1080	1000	1150	6	24	28	22,5°	8	1140	151
450 KH (2)		-											

NOTES: (1) 1500, 1000 and 750 rpm (2) 3000 rpm (See note below)

- Notes: - All the dimensions are in millimeters.
- For all vertical applications or unusual coupling conditions, the customer shall inform the load figure with the inquiry/order.
 - Construction drawings with guaranteed values are available under request.
 - Shaft dimensions for 2 pole motors, only for direct coupling.
 - For motor frames 450, 2 pole, V1 refer to us.
 - Execution with second shaft end available on request.
 - "EExde" execution dimensions under request.
 - For vertical mounting, the D.E. bearing is replaced by an angular contact type.
 - The average values shown are subject to change without prior notice.

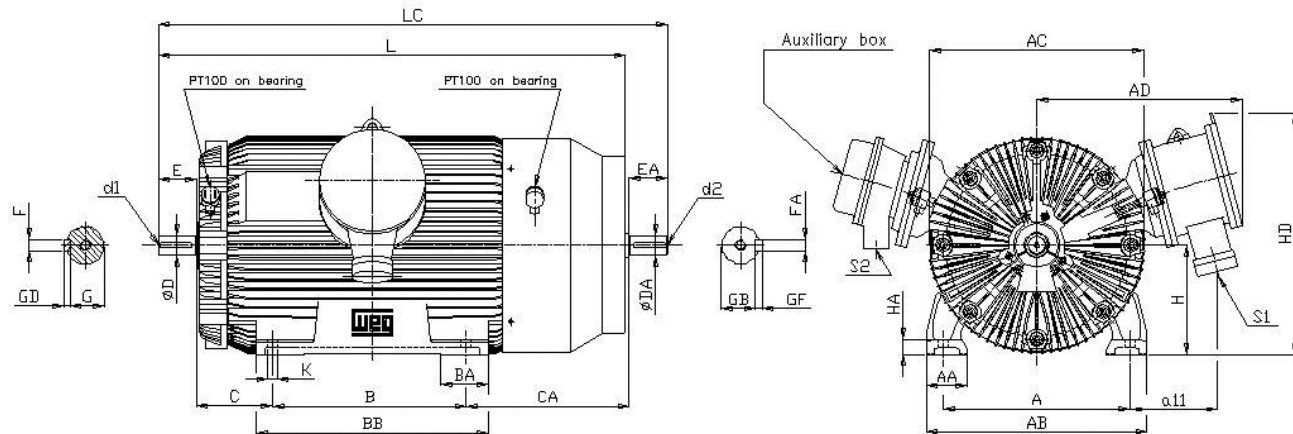
4.1.5 OUTLINE DIMENSIONS - BFGC3 / BFGC4 / BFGC8 SERIES

IIC T4

Flameproof Motors - Ex d IIC T4
 Flameproof Motors with Increased Safety Terminal Box - Ex de IIC T4

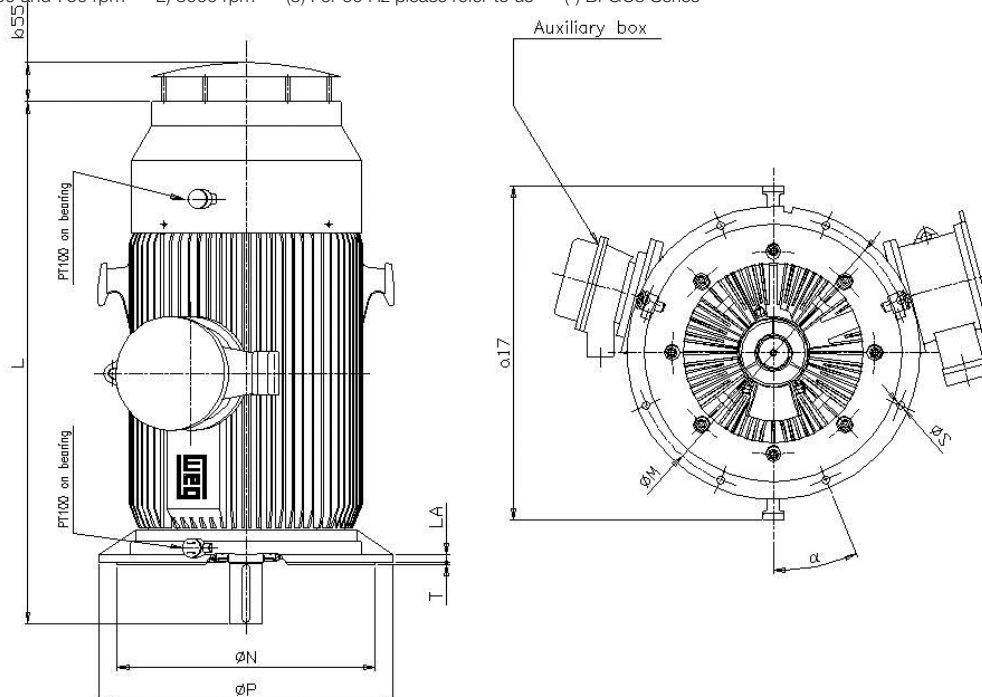
Medium Voltage

BFGC8 IMB3T; IMB5; IMV1



Frame	A	AA	AB	AC	AD (3)	a11	B	BA	BB	C	CA	Shaft Dimensions										S1	S2	d1	d2	Bearings						
												D	E	F	G	GD	DA	EA	FA	GB	GF					H	HA	HD (3)	K	L	LC	D.E.
* 315MA (1)	508	130	632	622	686	340	457	150	613	216	426	90m6	170	25	81	14	60m6	140	18	53	11	315	43	762	28	1254	1409	DSM24	DSM20	NU2220	6317 C3	
70m6												140	20	62.5	12	1224										1379	6317 C3			NU317		
* 315LA (1)												90m6	170	25	81	14										1305	1460			NU2220	6317 C3	
* 315LA (2)	610	145	730	713	710	314	560	175	800	254	589	70m6	140	20	62.5	12	60m6	140	18	53	11	355	49	812	28	1275	1430	DSM24	DSM20	6317 C3	NU317	
95m6												170	25	86	14	1558										1743	DSM24			NU320	6320 C3	
355MA (1)												70m6	140	20	62.5	12										1528	1683			DSM20	6317 C3	NU317
355LA (1)	610	145	730	713	710	314	560	175	800	254	589	95m6	170	25	86	14	60m6	140	18	53	11	355	49	812	28	1618	1803	DSM24	DSM20	6317 C3	NU320	
355LA (2)												70m6	140	20	62.5	12										1588	1743			DSM20	6317 C3	NU317
400LA (1)												110m6	210	28	100	16										1784	1969			DSM24	NU324	6324 C3
400LA (2)	686	150	810	785.5	756	321	710	850	280	599	599	70m6	140	20	62.5	12	60m6	140	18	53	11	400	55	885	35	1714	1869	DSM20	DSM20	6317 C3	NU317	
400LA (2)												70m6	140	20	62.5	12										1714	1869			DSM20	6317 C3	NU317

NOTES: (1) 1500, 1000 and 750 rpm (2) 3000 rpm (3) For 60 Hz please refer to us (*) BFGC3 Series



Frame	Flange	"FF" Flange Dimensions						Nr. holes	a17	Bearings		
		b55	LA	M	N	P	T			S	α	D.E.
* 315MA/LA (1)	FF-600	116.5	22	600	550	660	6	24	22.5°	8	7220	6317 C3
* 315MA/LA (2)											6317 C3	6317 C3
355MA/LA (1)	FF-740	125	25	740	680	800	6	24	22.5°	8	7320	6320 C3
355MA/LA (2)											7317	6317 C3
400LA (1)	FF-940	132	28	940	880	1000	6	28	22.5°	8	7324	6324 C3
400LA (2)											7317	6317 C3

NOTES: (1) 1500, 1000 and 750 rpm (2) 3000 rpm (3) For 60 Hz please refer to us (*) BFGC3 Series

- Notes:
- All the dimensions are in millimeters.
 - For all vertical applications or unusual coupling conditions, the customer shall inform the load figure with the inquiry/order.
 - Construction drawings with guaranteed values are available under request.
 - Shaft dimensions for 2 pole motors, only for direct coupling.
 - If required terminal box entry on left hand side, please refer to us.
 - Execution with second shaft end available on request.
 - 'EEx de' execution dimensions under request.
 - The average values shown are subject to change without prior notice.

4.2 MEDIUM VOLTAGE FLAMEPROOF MOTORS BFG(C)8; W22XB(C); BFGM8; W22XM

4.2.1 PRODUCT SPECIFICATION

■ Range

The present catalogue refers to TEFC Flameproof, Medium Voltage, three phase, squirrel cage induction motors, up to 6600V, ribbed frames, **BFG(C)8** and **W22XB(C)** series with shaft height from 355 to 500 mm, with the following powers:

Motor series BFG(C)8 and W22XB(C):

KW	RPM
355 up to 1120 kW	3000 RPM
355 up to 1500 kW	1500 RPM
280 up to 1120 kW	1000 RPM
200 up to 900 kW	750 RPM

■ Particular specifications and standards related to hazardous areas

The motor series **BFG(C)8** and **W22XB(C)** comply with European Standards listed on paragraph 1.2.2, and are suitable for the following Groups, Groups of Gases and Temperature Classes:

GROUP I, mines category **M2**

GROUP II, surface industry, Gases of group **IIB**, and temperature class **T4**

GROUP II, surface industry, Gases of group **IIC**, and temperature class **T4**

Under request, are available other temperature classes.

These motor series have the **CE** marking in compliance with European Directive **94/4/EC (ATEX)**, and can be marked as equipment **GROUP I (mines susceptible of firedamp)** or **GROUP II (surface Industries)**.

The motors of **GROUP II**, are suitable to use on the following zones:

Category **2**, for Zones **1** and **21** – Gases, Vapours and Dust (**GD**).

Category **3**, for Zones **2** and **22** – Gases, Vapours and Dust (**GD**).

Category **M2** for Mines

Special design to suit Zone **21** will be available on request.

These motor series are also certified according to the **IECEx** scheme.

As standard execution, the motors are fitted with flameproof terminal boxes for gases of group **IIB** or **IIC**, with specification code **Ex d, IIB** or **Ex d, IIC**. Under request and as an alternative execution, these motors can be fitted with an Increased Safety terminal box. In this case the description code is **Ex de, IIB** or **Ex de, IIC**.

This line of flameproof motors is certified according to the above standards, by the Notified Body INERIS in France, accredited organization by EU.

■ Construction

Mechanical protection: **IP 55** as **Group II**, or **IP65** as **Group I**.

Insulation: Class **F**.

Temperature rise: 80 K.

Frames: are in **cast iron**.

Terminal boxes: are in **cast iron**.

Endshields: are in **cast iron**.

Fans: metallic, in **aluminium alloy** or **fabricated steel**.

Fan cover: in **cast iron** or **fabricated steel**, capable to withstand impact of **20 Joule**.

Finish: industrial paint system, standard **color RAL 5010 (IIB)** or **RAL 7001 (IIC)**.

■ Voltage and frequency

The performance data referred in the present catalogue is for motors operating with a voltage of **6000V ± 5%** and a frequency of **50HZ ± 2%**, on continuous service

For voltages of 6600V all figures are equivalent, except the rated current (In), which shall be multiplied by a factor of 0,9 (indicative figure).

Under request are available other voltages up to 6600V, and frequencies 50HZ or 60HZ, with a maximum rated current of 800A.

■ Basic design

■ Cooling method:

IC 411 in accordance with standard **IEC 60034-6** - motors cooled by an external fan.

■ Direction of rotation:

On frame sizes 355/400 (4 pole and above), as standard the motors are fitted with a bi-directional fan.

On remaining frames the fans are unidirectional, leaving the factory as standard on CW direction viewed from shaft end with the phase sequence of U, V, and W. In these cases the direction of rotation must be specified with order.

■ Electrical connection:

3 terminals are provided for star connection, with neutral point connected inside the windings.

■ Terminal boxes:

On these motor series, the main terminal box is located at top of motor frame allowing rotation every 180° to suit cable entry from left or right hand side.

Note: customer shall refer cable entry direction with order.

As standard, in all motors, the supply cable entries are on the right hand side when viewed from shaft end.

■ Protections/Auxiliaries:

As standard the **BFG(C)8** and **W22XB(C)** medium voltage motors are fitted with the following protections:

- 3 RTD's - Pt 100 – on windings, 1 per phase, 3 wires
- 2 RTD's - Pt 100 – on bearings, 1 per bearing, 3 wires
- Anti-condensation heaters – 230V

As option under request, the motors can be fitted with other number or type of protections either on windings and bearings. Protection/Auxiliaries are connected in two auxiliary terminal boxes.

The thermal protections on bearings are made in two individual auxiliary terminal boxes located on D.E and N.D.E side as standard configuration.

It is also possible as option to have these protections connected in to a single auxiliary terminal box used for other Protections/Auxiliaries.

■ Earth connection:

All motors are equipped with an earth screw inside of terminal box. A second external earth connection is also provided on motor frame, on foot or on flange, depending on mounting form.

■ Terminal box entries and cable glands:

As standard, the motors are not supplied with cable glands and the number of entry holes and respective dimensions are described on outline dimensions tables. However, considering that the cable entry makes part of the protection enclosure it is recommended that the motors are supplied from factory fitted with cable glands.

For this it is necessary to specify with the order the complete cabling details (number of cables, specification, section and diameters), so that the motors can be supplied from factory fitted with suitable glands.

■ Bearings:

These motor series are equipped on both sides with deep groove ball bearings, pre-loaded by an axial spring washer or springs. Motors frame sizes 450 and 500, 2 pole, are equipped with a 3 bearings arrangement (ball + roller bearings on DE and roller bearing on NDE).

As optional execution, the motors GROUP IIB can be fitted with sleeve bearings.

In the case of pulley/belt drive transmission, the drive end bearing can be replaced by a roller bearing.

On vertical mounting motors, the bearings can be thrust bearing types and are defined according to the axial loads involved on the application.

■ Lubrication:

As standard, the bearings are grease lubricated. For all frames, the motors are equipped with grease relief valves and relubrication nipples.

■ Balancing:

The motors are dynamically balanced with half-key to meet the vibration limits of standard **IEC 60034-14**, grade **A**. Grade **B** can be provided under request.

On all frames, the D.E. and N.D.E. endshields are designed to fit, under request, optional captors for vibration monitoring detectors or other devices.

Full standard and optional features are detailed on paragraph 2.3.



4.2.2 ELECTRICAL DATA - BFG8; W22XB; BFGM8; W22XM SERIES

IIB T4 I (M2)

Flameproof Motors - Ex d IIB T4 (Ex tD A21 IP6X T 125°C)

Flameproof Motors with Increased Safety Terminal Box - Ex de IIB T4 (Ex tD A21 IP6X T 125°C)

Medium Voltage

Flameproof Motors for Mines - Ex d I M2

Flameproof Motors for Mines with Increased Safety Terminal Box - Ex de I M2

Table with columns: Output (KW, HP), Frame IEC, Tn (Nm), Is/In, Ts/Tn, Tmax/Tn, Inertia J Kg·m², Allowable locked rotor time Hot/Cold (s), Weight Kg, Sound dB (A), rpm min⁻¹, % of full load (Efficiency η, Power Factor Cos φ), In (A). Rows are grouped by pole count and speed: II Pole - 3000 min⁻¹, IV Pole - 1500 min⁻¹, VI Pole - 1000 min⁻¹, VIII Pole - 750 min⁻¹.

(1) - Temperature rise class F at full load (2) - Standard motor with sleeve bearings (3) - Copper rotor (4) - Rated current at 690V Tn = Full load torque Is / In = Locked rotor current Ts / Tn = Locked rotor torque Tmax / Tn = Breakdown torque In = Full load current Notes: - Motor frame 500, 2 pole 50Hz, available under request - The motors can also operate on a 60Hz supply. For motors frames 450 and 500 2 pole, please refer to us. - To obtain electrical data for 60Hz, please refer to us. - All values are according to IEC 60034-1 tolerances. - The indicated values for sound pressure levels are @ 1m no load, with 3 dB(A) tolerance. - This data can be changed without prior notice.

4.2.4 OUTLINE DIMENSIONS - BFG8; W22XB; BFGM8; W22XM SERIES

**IIB T4
I (M2)**

Flameproof Motors - Ex d IIB T4 (Ex tD A21 IP6X T 125°C)

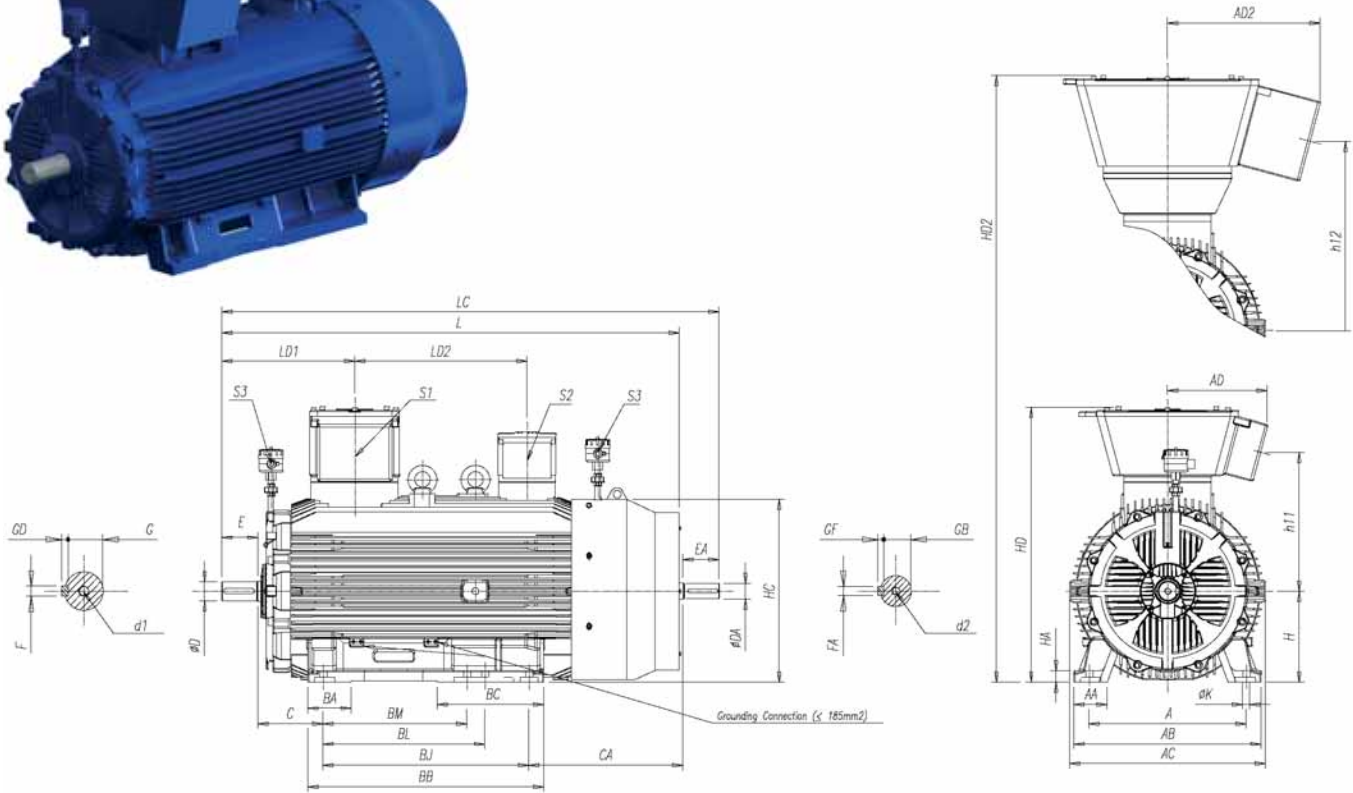
Flameproof Motors with Increased Safety Terminal Box - Ex de IIB T4 (Ex tD A21 IP6X T 125°C)

Medium Voltage

Flameproof Motors for Mines - Ex d I M2

Flameproof Motors for Mines with Increased Safety Terminal Box - Ex de I M2

W22XB 355MLJ IMB3T



Poles	A	AA	AB	AC	AD ⁽¹⁾	BA	BB	BC	BM	BL	BJ	C	CA	H	HA	HC	HD ⁽¹⁾	h ₁₁ ⁽¹⁾	K	L	LC	LD1	LD2
2P	610	130	730	760	388	170	920	415	560	630	800	254	600	355	45	712	1072	540	28	1779	1934	517	670
4P+																				1849	2034	587	

Poles	Shaft dimensions											Bearings		
	D	E	F	G	GD	DA	EA	FA	GB	GF	d1	d2	D.E	N.D.E
2P	75m6	140	20h9	67,5	12	60	140	18h9	53	11	DSM20	DSM20	6316C3	6316C3
4P+	100m6	210	28h9	90	16	80	170	22h9	71	14	DSM24		6322C3	6322C3

	Power terminal box - S1 ⁽¹⁾	Auxiliary terminal box - S2	Auxiliary terminal box - S3
Pole	CEFGH340	CEFGH220	Pt 100 Bearing Box
2P	1≤315A: 1xM63x1,5	2xM20x1,5	1x1/2" NPT
4P+	315A<I≤400A: 3xM63x1,5		

I > 400A				
Poles	AD2	HD2	h12	Power terminal box - CEFGH 500 - S1
2P	594	1340	727	400A<I≤1200A: 3xM63x1,5
4P+				

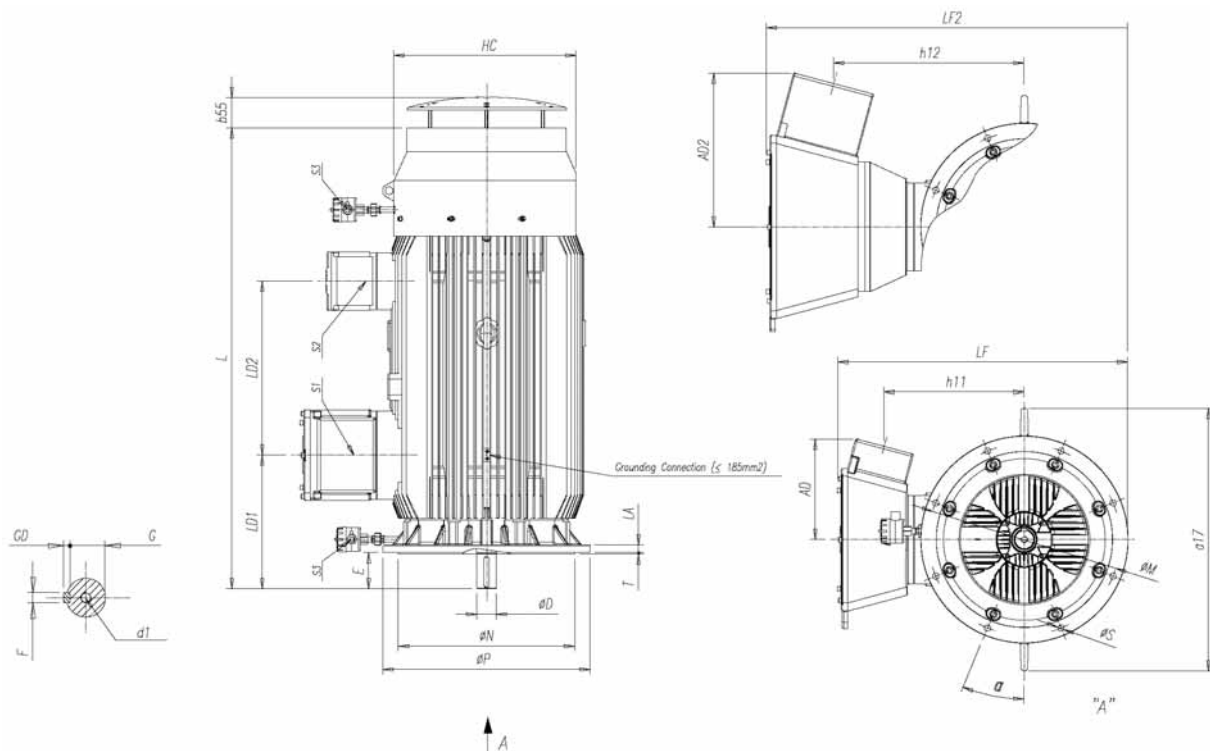
- Notes: - (1) I ≤ 400A
 - All the dimensions are in millimeters.
 - Please, do not use these dimensions for construction. Certified drawings under request.
 - External thrust shall be informed at the time of Inquiry/Order.
 - Executions with auxiliary terminal box and second shaft end are optional and available under request.
 - For other special executions please refer to us.
 - The dimensions shown are subject to change without prior notice.

OUTLINE DIMENSIONS

IIB T4
I (M2)

Medium Voltage

W22XB 355MLJ IMV1



Poles	AD ⁽¹⁾	HC	h11 ⁽¹⁾	L	LA	LD1	LD2	LF ⁽¹⁾	b55	a17	M	N	P	T	S	Nr. Holes	α
2P	388	702,5	540	1779	30	517	670	1117	118	1015	740	680	800	6	24	8	22,5°
4P+				1849		587											

Poles	Shaft dimensions						Bearings		Power terminal box - S1 ⁽¹⁾	Auxiliary terminal box - S2	Auxiliary terminal box - S3
	D	E	F	G	GD	d1	D.E	N.D.E	CEFGH 340	CEFGH 220	Pt 100 Bearing Box
2P	75m6	140	20h9	67,5	12	DSM20	7316	6316C	I ≤ 315A: 1xM63x1,5	2xM20x1,5	1 x 1/2" NPT
4P+	100m6	210	28h9	90	16	DSM24	7322	6322C	315A < I ≤ 400A: 3xM63x1,5		

I > 400A				
Poles	AD2	LF2	h12	Power terminal box - CEFGH 500 - S1
2P	594	1386	727	400A < I ≤ 1200A: 3xM63x1,5
4P+				

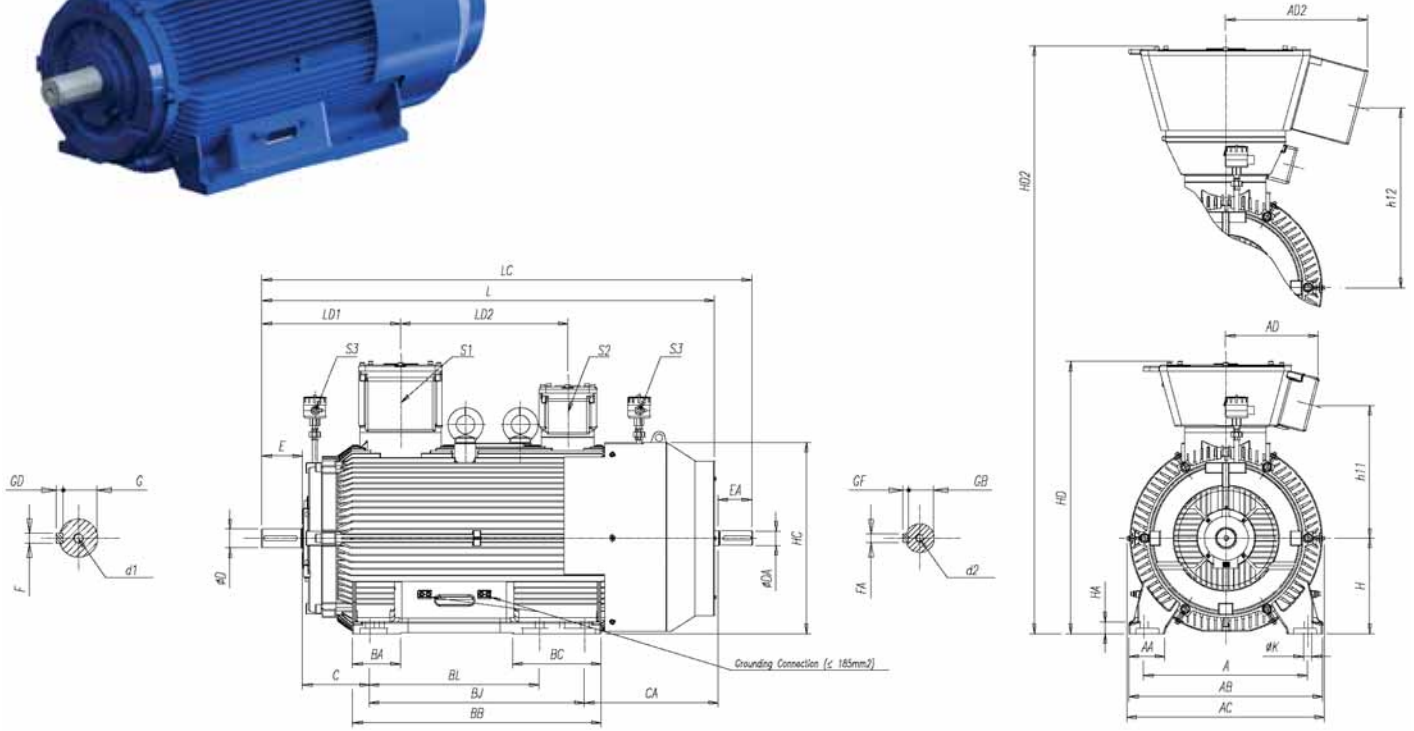
- Notes: - (1) I ≤ 400A
 - All the dimensions are in millimeters.
 - Please, do not use these dimensions for construction. Certified drawings under request.
 - External thrust shall be informed at the time of Inquiry/Order.
 - Executions with auxiliary terminal box and second shaft end are optional and available under request.
 - For other special executions please refer to us.
 - The dimensions shown are subject to change without prior notice.

OUTLINE DIMENSIONS

**IIB T4
I (M2)**

BFG8 400LJ IMB3T

Medium Voltage



Poles	A	AA	AB	AC	AD ⁽¹⁾	BA	BB	BC	BL	BJ	C	CA	H	HA	HC	HD ⁽¹⁾	h11 ⁽¹⁾	K	L	LC	LD1	LD2
2P	686	150	810	827	388	200	1040	370	710	900	280	560	400	50	802	1139	557	35	1895	2050	580	700
4P+																			1935	2120	620	

Poles	Shaft dimensions											Bearings		
	D	E	F	G	GD	DA	EA	FA	GB	GF	d1	d2	D.E	N.D.E
2P	80m6	170	22h9	71	14	60	140	18h9	53	11	DSM20	DSM20	6318C3	6318C3
4P+	110m6	210	28h9	100	16	80	170	22h9	71	14	DSM24		6324C3	6324C3

Poles	Power terminal box - S1 ⁽¹⁾	Auxiliary terminal box - S2	Auxiliary terminal box - S3
	2P	CEFGH 340 I≤315A: 1xM63x1,5	CEFGH 220 2xM20x1,5
4P+	315A<I≤400A: 3xM63x1,5		

I > 400A			
Poles	AD2	HD2	h12
2P	594	1408	747
4P+	Power terminal box - CEFGH 500 - S1 400A<I≤1200A: 3xM63x1,5		

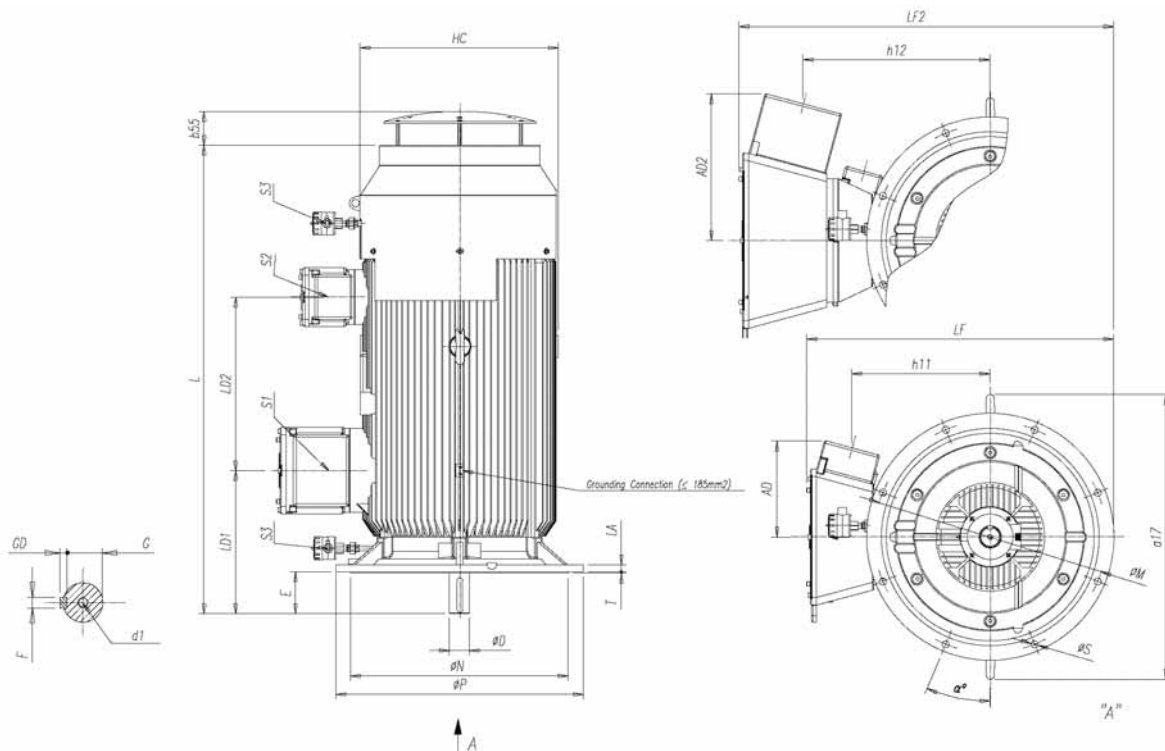
- Notes: - (1) I ≤ 400A
 - All the dimensions are in millimeters.
 - Please, do not use these dimensions for construction. Certified drawings under request.
 - External thrust shall be informed at the time of Inquiry/Order.
 - Executions with auxiliary terminal box and second shaft end are optional and available under request.
 - For other special executions please refer to us.
 - The dimensions shown are subject to change without prior notice.

OUTLINE DIMENSIONS

IIB T4
I (M2)

Medium Voltage

BFG8 400LJ IMV1



Poles	AD ⁽¹⁾	HC	h11 ⁽¹⁾	L	LA	LD1	LD2	LF ⁽¹⁾	a17	b55	M	N	P	T	S	Nr. Holes	α
2P	388	802	558	1895	28	580	700	1240	1154	136	940	880	1000	6	28	8	22,5°
4P+				1935		620											

Poles	Shaft dimensions						Bearings		Power terminal box - S1 ⁽¹⁾	Auxiliary terminal box - S2	Auxiliary terminal box - S3
	D	E	F	G	GD	d1	D.E	N.D.E	CEFGH 340	CEFGH 220	Rt 100 Bearing Box
2P	80m6	170	22h9	71	14	DSM20	7318	6318C3	I ≤ 315A: 1xM63x1,5	2xM20x1,5	1x1/2" NPT
4P+	110m6	210	28h9	100	16	DSM24	7324	6324C3	315A < I ≤ 400A: 3xM63x1,5		

I > 400A				
Poles	AD2	LF2	h12	Power terminal box - CEFGH 500 - S1
2P	594	1507	747	400A < I ≤ 1200A: 3xM63x1,5
4P+				

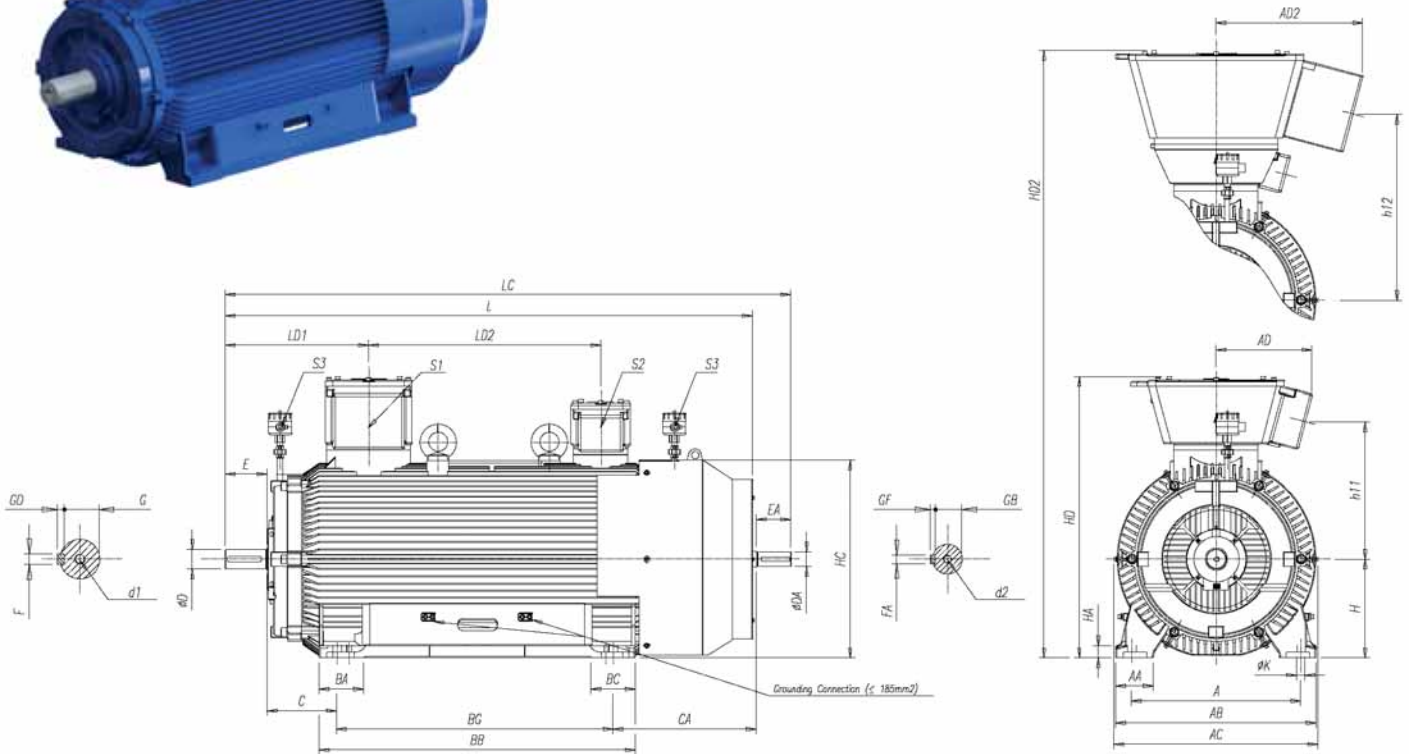
- Notes: - (1) I ≤ 400A
 - All the dimensions are in millimeters.
 - Please, do not use these dimensions for construction. Certified drawings under request.
 - External thrust shall be informed at the time of Inquiry/Order.
 - Executions with auxiliary terminal box and second shaft end are optional and available under request.
 - For other special executions please refer to us.
 - The dimensions shown are subject to change without prior notice.

OUTLINE DIMENSIONS

**IIB T4
I (M2)**

BFG8 400G IMB3T

Medium Voltage



Poles	A	AA	AB	AC	AD ⁽¹⁾	BA	BB	BC	BG	C	CA	H	HA	HC	HD ⁽¹⁾	h11 ⁽¹⁾	K	L	LC	LD1	LD2
2P	686	150	810	827	388	200	1280	180	1120	280	580	400	50	802	1139	557	35	2135	2290	580	940
4P+																		2175	2360	620	

Poles	Shaft dimensions										Bearings			
	D	E	F	G	GD	DA	EA	FA	GB	GF	d1	d2	D.E	N.D.E
2P	80m6	170	22h9	71	14	60	140	18h9	53	11	DSM20	DSM20	6318C3	6318C3
4P+	110m6	210	28h9	100	16	80	170	22h9	71	14	DSM24		6324C3	6324C3

Poles	Power terminal box - S1 ⁽¹⁾	Auxiliary terminal box - S2	Auxiliary terminal box - S3
	2P	CEFGH 340	CEFGH 220
4P+	1≤315A: 1xM63x1,5 315A<l≤400A: 3xM63x1,5	2xM20x1,5	1/2" NPT

I > 400A			
Poles	AD2	HD2	h12
2P			
4P+	594	1408	747
	Power terminal box - CEFGH 500 - S1		
	400A<l≤1200A: 3xM63x1,5		

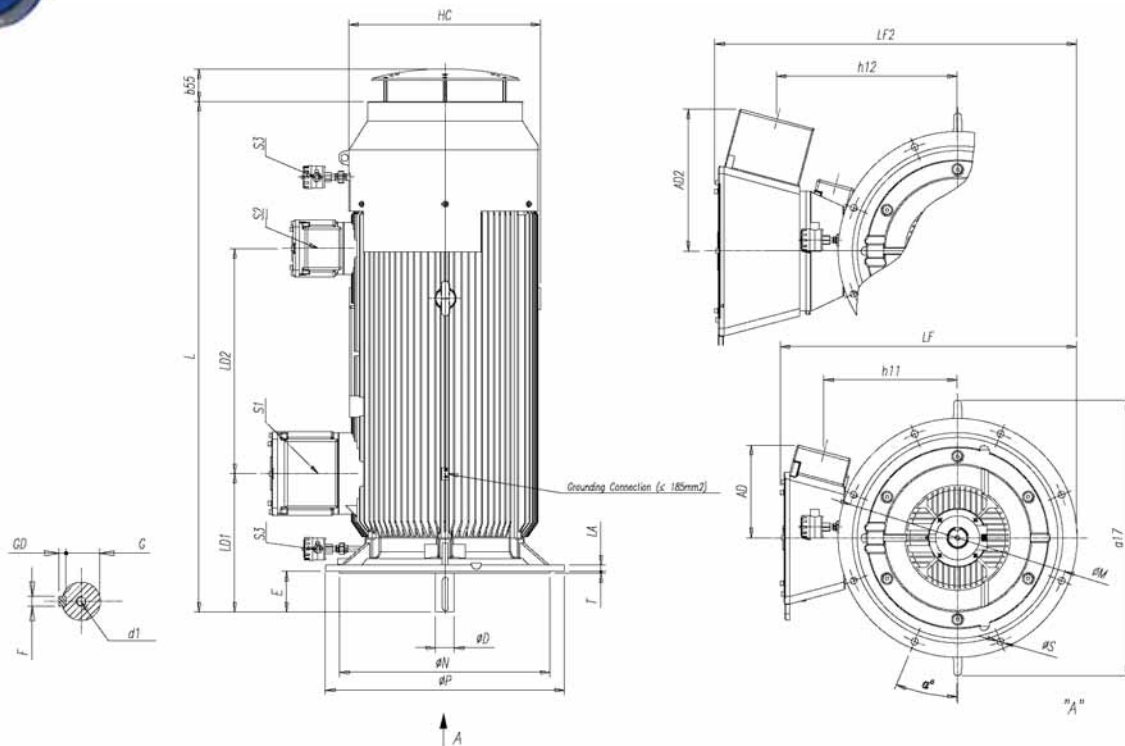
- Notes: - (1) I ≤ 400A
 - All the dimensions are in millimeters.
 - Please, do not use these dimensions for construction. Certified drawings under request.
 - External thrust shall be informed at the time of Inquiry/Order.
 - Executions with auxiliary terminal box and second shaft end are optional and available under request.
 - For other special executions please refer to us.
 - The dimensions shown are subject to change without prior notice.

OUTLINE DIMENSIONS

IIB T4
I (M2)

Medium Voltage

BFG8 400G IMV1



Poles	AD ⁽¹⁾	HC	h11 ⁽¹⁾	L	LA	LD1	LD2	LF ⁽¹⁾	a17	b55	M	N	P	T	S	Nr. Holes	α
2P	388	802	558	2135	28	580	940	1240	1154	136	940	880	1000	6	28	8	22,5°
4P+				2175		620											

	Shaft dimensions					Bearings			Power terminal box - S1 ⁽¹⁾	Auxiliary terminal box - S2	Auxiliary terminal box - S3
Poles	D	E	F	G	GD	d1	D.E	N.D.E	CEFGH 340	CEFGH 220	Pt 100 Bearing Box
2P	80m6	170	22h9	71	14	DSM20	7318	6318C3	$I \leq 315A: 1 \times M63 \times 1,5$	$2 \times M20 \times 1,5$	$1 \times 1/2" \text{ NPT}$
4P+	110m6	210	28h9	100	16	DSM24	7324	6324C3	$315A < I \leq 400A: 3 \times M63 \times 1,5$		

I > 400A				
Poles	AD2	LF2	h12	Power terminal box - CEFGH 500 - S1
2P	594	1507	747	$400A < I \leq 1200A: 3 \times M63 \times 1,5$
4P+				

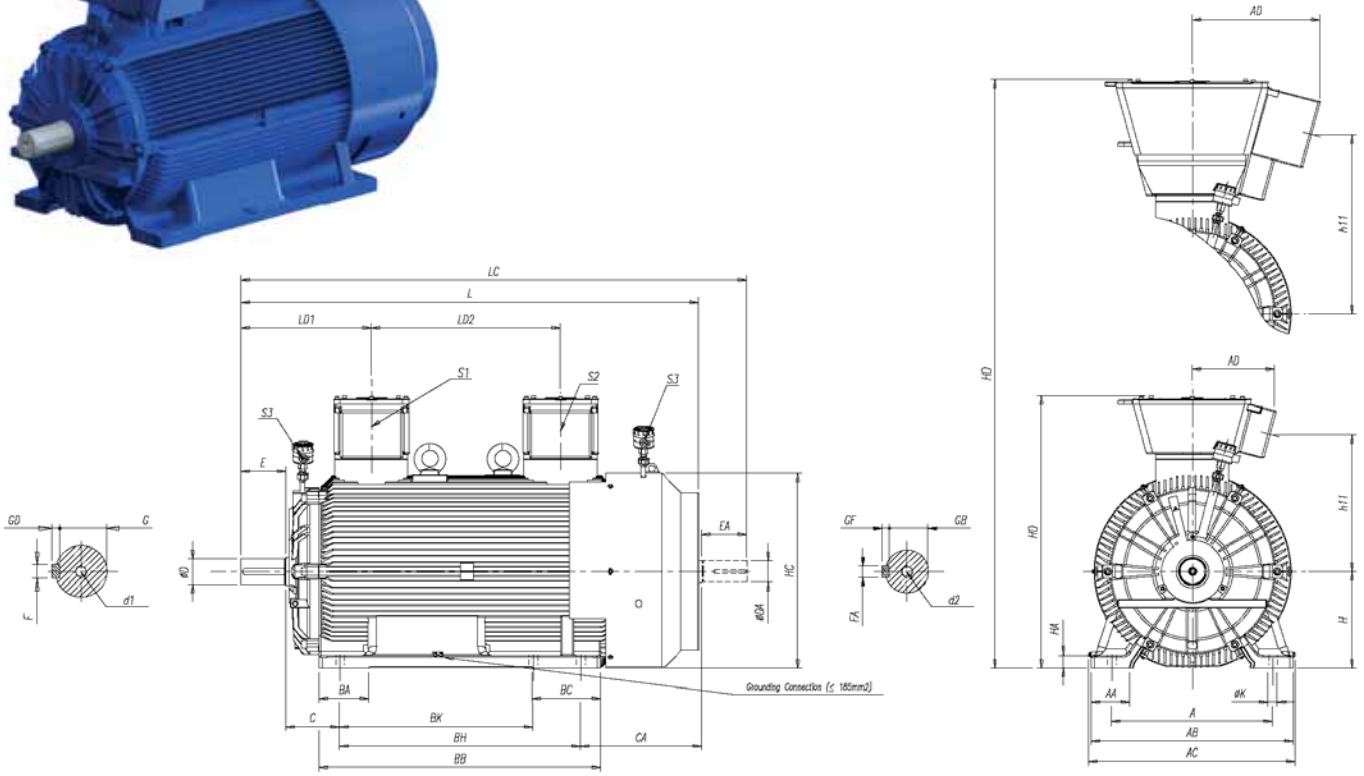
- Notes: - (1) $I \leq 400A$
 - All the dimensions are in millimeters.
 - Please, do not use these dimensions for construction. Certified drawings under request.
 - External thrust shall be informed at the time of Inquiry/Order.
 - Executions with auxiliary terminal box and second shaft end are optional and available under request.
 - For other special executions please refer to us.
 - The dimensions shown are subject to change without prior notice.

OUTLINE DIMENSIONS

**IIB T4
I (M2)**

BFG8 450KH IMB3T

Medium Voltage



Poles	A	AA	AB	AC	AD ⁽¹⁾	BA	BB	BC	BK	BH	C	CA	H	HA	HC	HD ⁽¹⁾	h11 ⁽¹⁾	K	L	LC	LD1	LD2
2P	750	180	940	957	388	230	1310	320	900	1120	250	564	450	60	908	1269	654	42	2089	2244	568	880
4P+																			2129	2354	608	

Poles	Shaft dimensions											Bearings		
	D	E	F	G	GD	DA	EA	FA	GB	GF	d1	d2	D.E	N.D.E
2P	85m6	170	22h9	76	14	75	140	20h9	67,5	12	DSM20	DSM20	N218 + 6218C3	N218
4P+	120m6	210	32h9	109	18	100	210	28h9	90	16	DSM24	DSM20	6326C3	6326C3

Poles	Power terminal box - S1 ⁽¹⁾	Auxiliary terminal box - S2	Auxiliary terminal box - S3
	2P	CEFGH 340	CEFGH 220
4P+	Is315A: 1xM63x1,5 315A<l≤400A: 3xM63x1,5	2xM20x1,5	1 x 1/2" NPT

I > 400A			
Poles	AD2	HD2	h12
2P			
4P+	594	1562	853

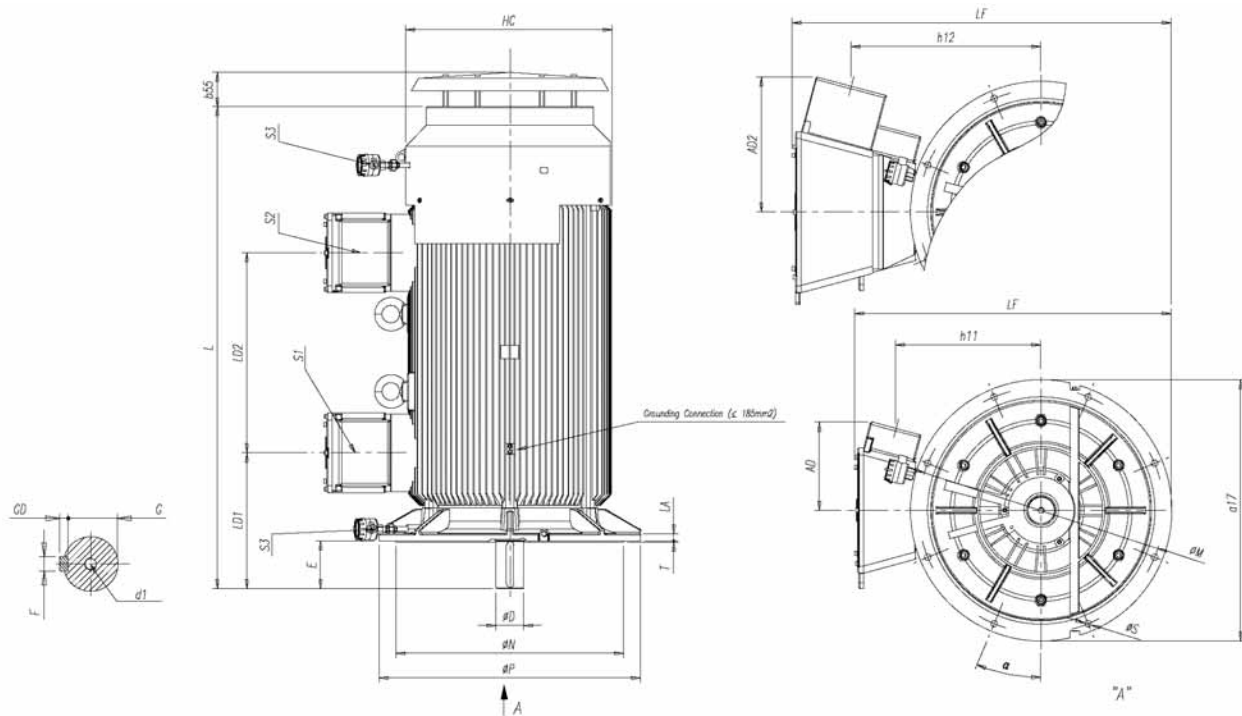
- Notes: - (1) I ≤ 400A
 - All the dimensions are in millimeters.
 - Please, do not use these dimensions for construction. Certified drawings under request.
 - External thrust shall be informed at the time of Inquiry/Order.
 - Executions with auxiliary terminal box and second shaft end are optional and available under request.
 - For other special executions please refer to us.
 - The dimensions shown are subject to change without prior notice.

OUTLINE DIMENSIONS

IIB T4
I (M2)

Medium Voltage

BFG8 450KH IMV1



Poles	AD ⁽¹⁾	HC	h11 ⁽¹⁾	L	LA	LD1	LD2	LF ⁽¹⁾	a17	b55	M	N	P	T	S	Nr. Holes	α
4P+	388	908	654	2129	30	608	880	1394	1150	153	1080	1000	1150	6	30	8	22,5°

	Shaft dimensions						Bearings		Power terminal box - S1 ⁽¹⁾	Auxiliary terminal box - S2	Auxiliary terminal box - S3
Poles	D	E	F	G	GD	d1	D.E	N.D.E	CEFGH340	CEFGH220	Pt 100 Bearing Box
4P+	120m6	210	32h9	109	18	DSM24	7326	6326C3	I ≤ 315A: 1xM63x1,5 315A < I ≤ 400A: 3xM63x1,5	2xM20x1,5	1x1/2" NPT

I > 400A				
Poles	AD2	LF2	h12	Power terminal box - CEFGH 500 - S1
4P+	594	1688	853	400A < I ≤ 1200A: 3xM63x1,5

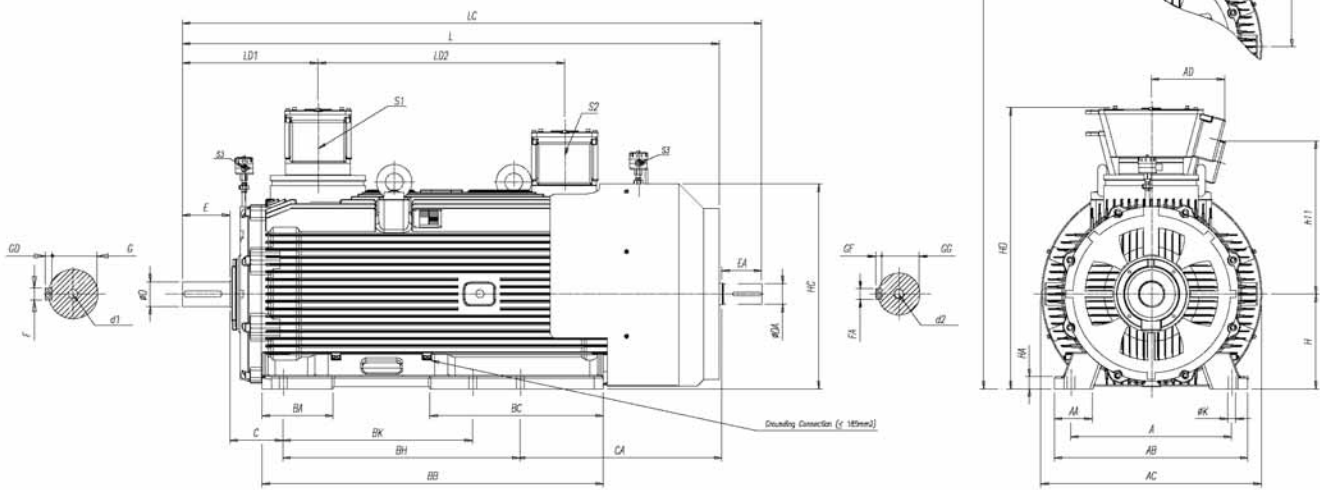
- Notes: - (1) I ≤ 400A
 - All the dimensions are in millimeters.
 - Please, do not use these dimensions for construction. Certified drawings under request.
 - External thrust shall be informed at the time of Inquiry/Order.
 - Executions with auxiliary terminal box and second shaft end are optional and available under request.
 - For other special executions please refer to us.
 - The dimensions shown are subject to change without prior notice.

OUTLINE DIMENSIONS

IIB T4
I (M2)

Medium Voltage

W22XB 500KH IMB3T



Poles	A	AA	AB	AC	AD ⁽¹⁾	BA	BB	BC	BK	BH	C	CA	H	HA	HC	HD ⁽¹⁾	h11 ⁽¹⁾	K	L	LC	LD1	LD2
2P	850	200	1020	1162	388	375	1800	915	1000	1250	280	1080	500	65	1081	1490	808	42	2750	2905	635	1300
4P+																			2830	3055	715	

Poles	Shaft dimensions											Bearings		
	D	E	F	G	GD	DA	EA	FA	GB	GF	d1	d2	D.E	N.D.E
2P	90m6	170	25	81	14	75	140	20	67,5	12	DSM24	DSM20	NU220C3 + 6220C3	6220C3
4P+	130m6	250	32	119	18	110	210	28	100	16	DSM24	DSM24	6328C3	6328C3

	Power terminal box - S1 ⁽¹⁾	Auxiliary terminal box - S2	Auxiliary terminal box - S3
Poles	CEFGH340	CEFGH340	Pt Bearing Box
2P	I ≤ 315A: 1xM63x1,5	2xM20x1,5	1x1/2" NPT
4P+	315A < I ≤ 400A: 3xM63x1,5		

I > 400A				
Poles	AD2	HD2	h12	Power terminal box - CEFGH 500 - S1
2P	594	1704	946	400A < I ≤ 1200A: 3xM63x1,5
4P+				

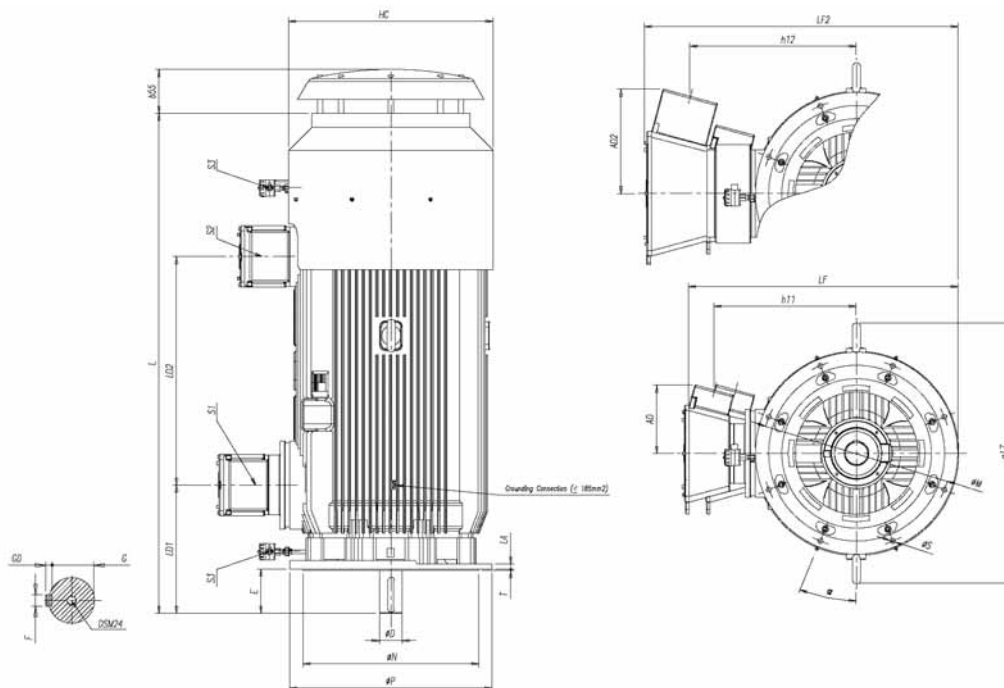
- Notes: - (1) I ≤ 400A
 - All the dimensions are in millimeters.
 - Please, do not use these dimensions for construction. Certified drawings under request.
 - External thrust shall be informed at the time of Inquiry/Order.
 - Executions with auxiliary terminal box and second shaft end are optional and available under request.
 - For other special executions please refer to us.
 - The dimensions shown are subject to change without prior notice.

OUTLINE DIMENSIONS

IIB T4
I (M2)

Medium Voltage

W22XB 500KH IMV1



Poles	AD ⁽¹⁾	HC	h11 ⁽¹⁾	L	LA	LD1	LD2	LF ⁽¹⁾	a17	b55	M	N	P	T	S	Nr. Holes	α
4P+	388	1162	808	2830	30	715	1300	1536	1482	250	1080	1000	1150	7	28	8	22,5°

Poles	Shaft dimensions						Bearings		Power terminal box - S1 ⁽¹⁾	Auxiliary terminal box - S2	Auxiliary terminal box - S3
	D	E	F	G	GD	d1	D.E	N.D.E	CEFGH340	CEFGH340	Pt 100 Bearin Box
4P+	130m6	250	32h9	119	18	DSM24	7328	6328C3	I ≤ 315A: 1xM63x1,5 315A < I ≤ 400A: 3xM63x1,5	2xM20x1,5	1x 1/2" NPT

I > 400A				
Poles	AD2	LF2	h12	Power terminal box - CEFGH 500 - S1
4P+	594	1785	946	400A < I ≤ 1200A: 3xM63x1,5

- Notes: - (1) I ≤ 400A
 - All the dimensions are in millimeters.
 - Please, do not use these dimensions for construction. Certified drawings under request.
 - External thrust shall be informed at the time of Inquiry/Order.
 - Executions with auxiliary terminal box and second shaft end are optional and available under request.
 - For other special executions please refer to us.
 - The dimensions shown are subject to change without prior notice.

4.2.5 OUTLINE DIMENSIONS - BFGC8; W22XC; BFGM8; W22XM SERIES

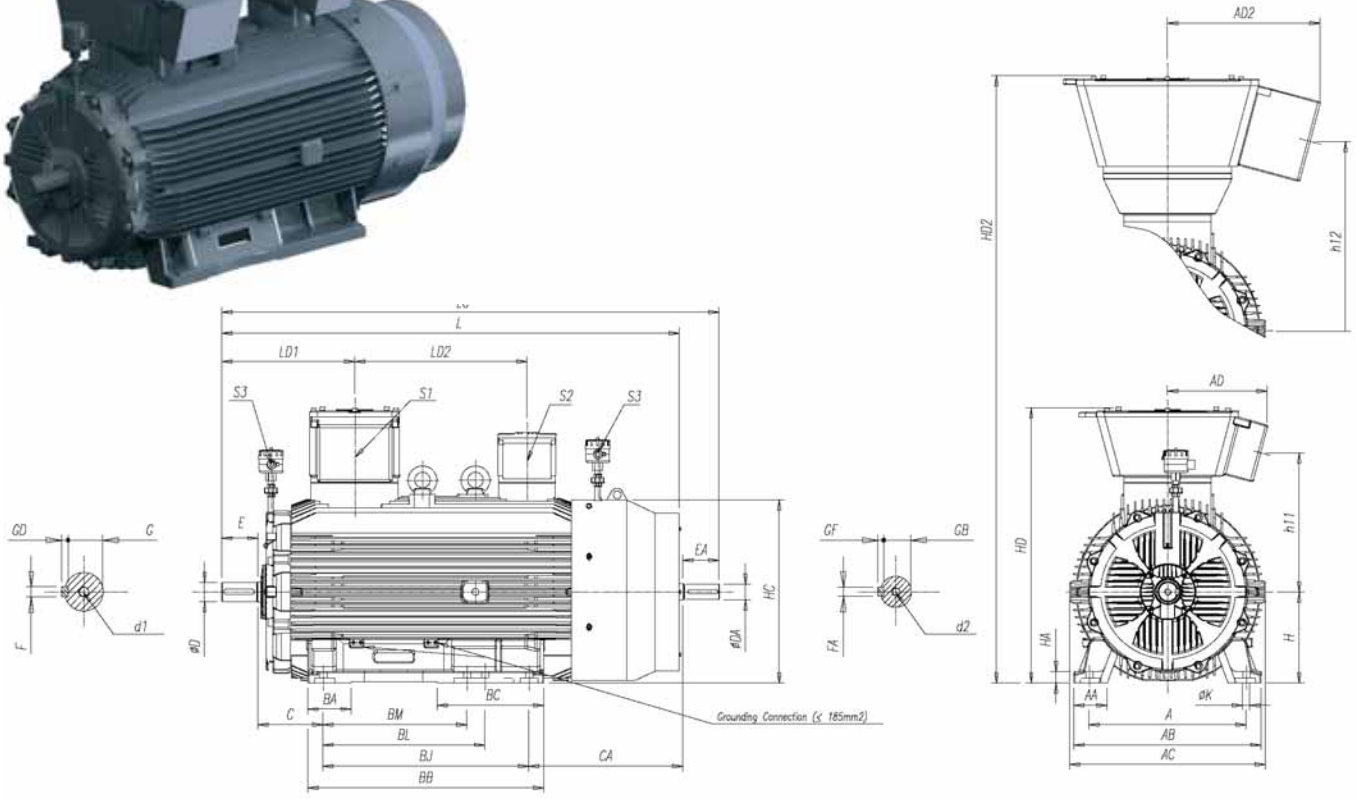
**IIC T4
I (M2)**

Flameproof Motors - Ex d IIC T4 (Ex tD A21 IP6X T 125°C)
Flameproof Motors with Increased Safety Terminal Box - Ex de IIC T4 (Ex tD A21 IP6X T 125°C)

Medium Voltage

Flameproof Motors for Mines - Ex d I M2
Flameproof Motors for Mines with Increased Safety Terminal Box - Ex de I M2

W22XC 355MLJ IMB3T



Poles	A	AA	AB	AC	AD ⁽¹⁾	BA	BB	BC	BM	BL	BJ	C	CA	H	HA	HC	HD ⁽¹⁾	h11 ⁽¹⁾	K	L	LC	LD1	LD2
2P	610	130	730	760	388	170	920	415	560	630	800	254	600	355	45	712	1072	540	28	1779	1934	517	670
4P+																				1849	2034	587	

Poles	Shaft dimensions										Bearings			
	D	E	F	G	GD	DA	EA	FA	GB	GF	d1	d2	D.E	N.D.E
2P	75m6	140	20h9	67,5	12	60	140	18h9	53	11	DSM20	DSM20	6316C3	6316C3
4P+	100m6	210	28h9	90	16	80	170	22h9	71	14	DSM24		6322C3	6322C3

	Power terminal box - S1 ⁽¹⁾	Auxiliary terminal box - S2	Auxiliary terminal box - S3
Pole	CEFGH 340	CEFGH 220	Pt 100 Bearing Box
2P	1≤315A: 1xM63x1,5		
4P+	315A<I≤400A: 3xM63x1,5	2xM20x1,5	1x1/2" NPT

I > 400A			
Poles	AD2	HD2	h12
2P	594	1340	727
4P+			

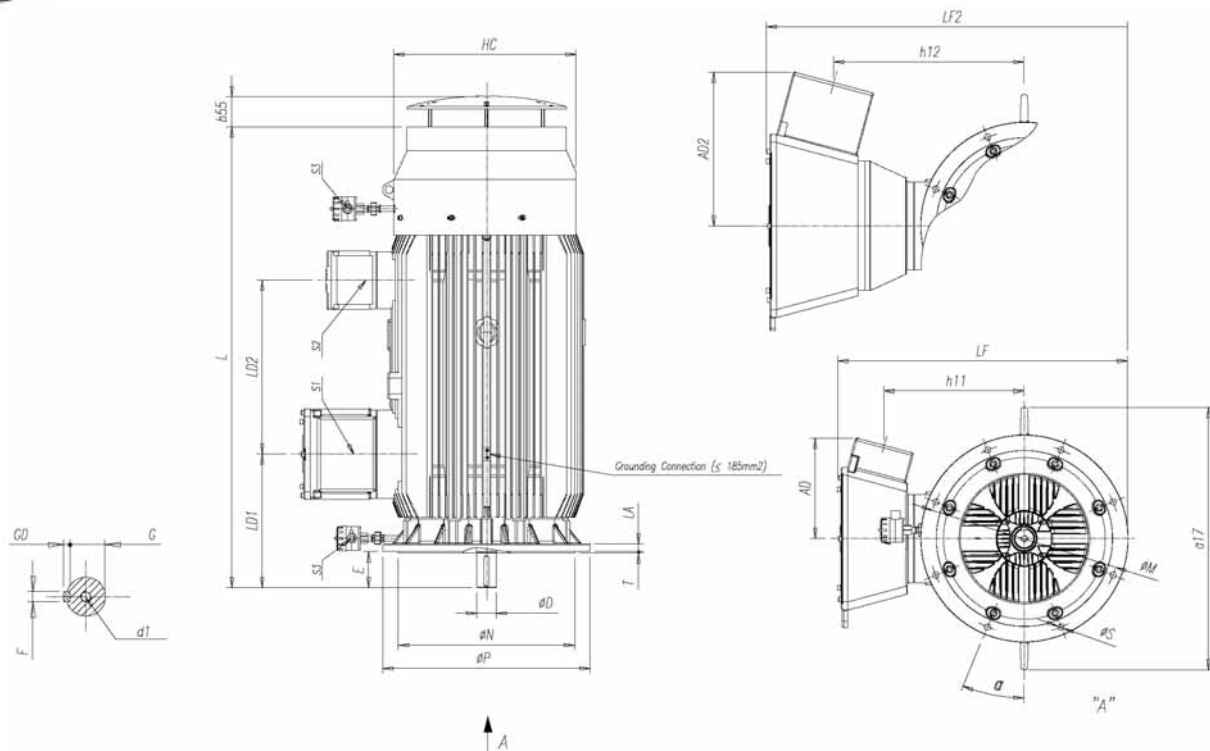
- Notes: (1) I ≤ 400A
- All the dimensions are in millimeters.
 - Please, do not use these dimensions for construction. Certified drawings under request.
 - External thrust shall be informed at the time of Inquiry/Order.
 - Executions with auxiliary terminal box and second shaft end are optional and available under request.
 - For other special executions please refer to us.
 - The dimensions shown are subject to change without prior notice.

OUTLINE DIMENSIONS

IIC T4
I (M2)

Medium Voltage

W22XC 355MLJ IMV1



Poles	AD ⁽¹⁾	HC	h11 ⁽¹⁾	L	LA	LD1	LD2	LF ⁽¹⁾	b55	a17	M	N	P	T	S	Nr. Holes	α
2P	388	702,5	540	1779	30	517	670	1117	118	1015	740	680	800	6	24	8	22,5°
4P+				1849		587											

Poles	Shaft dimensions						Bearings		Power terminal box - S1 ⁽¹⁾	Auxiliary terminal box - S2	Auxiliary terminal box - S3
	D	E	F	G	GD	d1	D.E	N.D.E			
2P	75m6	140	20h9	67,5	12	DSM20	7316	6316C	I ≤ 315A: 1xM63x1,5	CEFGH 220	Pt 100 Bearing Box
4P+	100m6	210	28h9	90	16	DSM24	7322	6322C	315A < I ≤ 400A: 3xM63x1,5	2xM20x1,5	1 x 1/2" NPT

I > 400A				
Poles	AD2	LF2	h12	Power terminal box - CEFGH 500 - S1
2P	594	1386	727	400A < I ≤ 1200A: 3xM63x1,5
4P+				

Notes: (1) I ≤ 400A

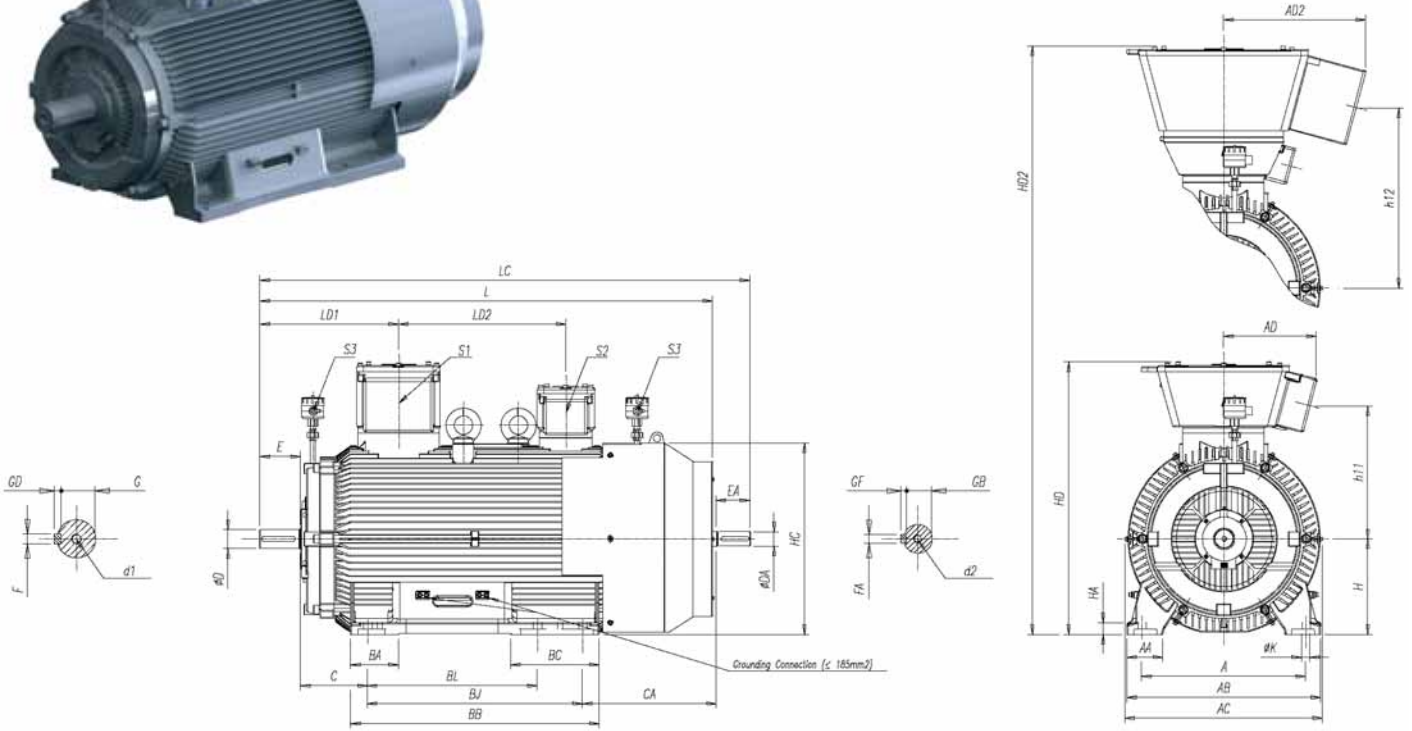
- All the dimensions are in millimeters.
- Please, do not use these dimensions for construction. Certified drawings under request.
- External thrust shall be informed at the time of Inquiry/Order.
- Executions with auxiliary terminal box and second shaft end are optional and available under request.
- For other special executions please refer to us.
- The dimensions shown are subject to change without prior notice.

OUTLINE DIMENSIONS

IIC T4
I (M2)

BFGC8 400LJ IMB3T

Medium Voltage



Poles	A	AA	AB	AC	AD ⁽¹⁾	BA	BB	BC	BL	BJ	C	CA	H	HA	HC	HD ⁽¹⁾	h11 ⁽¹⁾	K	L	LC	LD1	LD2
2P	686	150	810	827	388	200	1040	370	710	900	280	560	400	50	802	1139	557	35	1895	2050	580	700
4P+																			1935	2120	620	

Poles	Shaft dimensions										Bearings			
	D	E	F	G	GD	DA	EA	FA	GB	GF	d1	d2	D.E	N.D.E
2P	80m6	170	22h9	71	14	60	140	18h9	53	11	DSM20	DSM20	6318C3	6318C3
4P+	110m6	210	28h9	100	16	80	170	22h9	71	14	DSM24		6324C3	6324C3

Poles	Power terminal box - S1 ⁽¹⁾	Auxiliary terminal box - S2	Auxiliary terminal box - S3
	2P	CEFGH 340 I ≤ 315A: 1xM63x1,5	CEFGH 220 2xM20x1,5
4P+	315A < I ≤ 400A: 3xM63x1,5		

I > 400A			
Poles	AD2	HD2	h12
2P	594	1408	747
4P+	Power terminal box - CEFGH 500 - S1 400A < I ≤ 1200A: 3xM63x1,5		

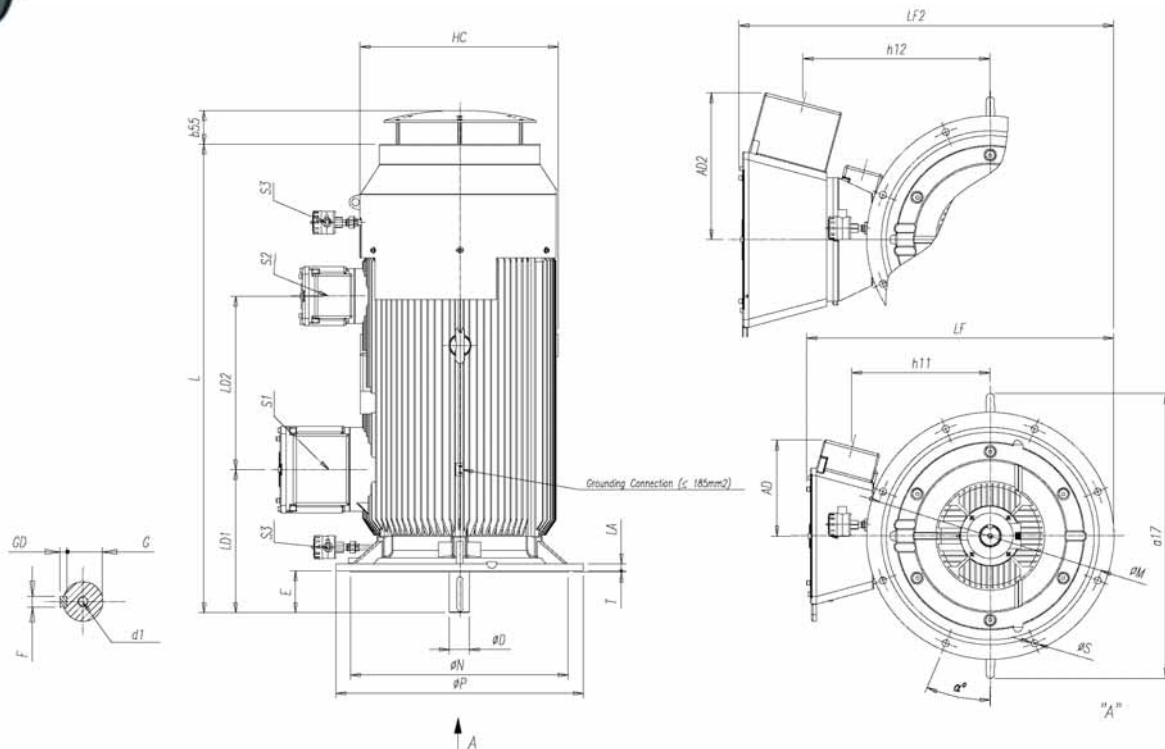
- Notes: (1) I ≤ 400A
- All the dimensions are in millimeters.
 - Please, do not use these dimensions for construction. Certified drawings under request.
 - External thrust shall be informed at the time of Inquiry/Order.
 - Executions with auxiliary terminal box and second shaft end are optional and available under request.
 - For other special executions please refer to us.
 - The dimensions shown are subject to change without prior notice.

OUTLINE DIMENSIONS

IIC T4
I (M2)

Medium Voltage

BFGC8 400LJ IMV1



Poles	AD ⁽¹⁾	HC	h11 ⁽¹⁾	L	LA	LD1	LD2	LF ⁽¹⁾	a17	b55	M	N	P	T	S	Nr. Holes	α
2P	388	802	558	1895	28	580	700	1240	1154	136	940	880	1000	6	28	8	22,5°
4P+				1935		620											

Poles	Shaft dimensions						Bearings		Power terminal box - S1 ⁽¹⁾	Auxiliary terminal box - S2	Auxiliary terminal box - S3
	D	E	F	G	GD	d1	D.E	N.D.E	CEFGH 340	CEFGH 220	Pt 100 Bearing Box
2P	80m6	170	22h9	71	14	DSM20	7318	6318C3	I ≤ 315A: 1xM63x1,5	2xM20x1,5	1x1/2" NPT
4P+	110m6	210	28h9	100	16	DSM24	7324	6324C3	315A < I ≤ 400A: 3xM63x1,5		

I > 400A				
Poles	AD2	LF2	h12	Power terminal box - CEFGH 500 - S1
2P	594	1507	747	400A < I ≤ 1200A: 3xM63x1,5
4P+				

Notes: (1) I ≤ 400A

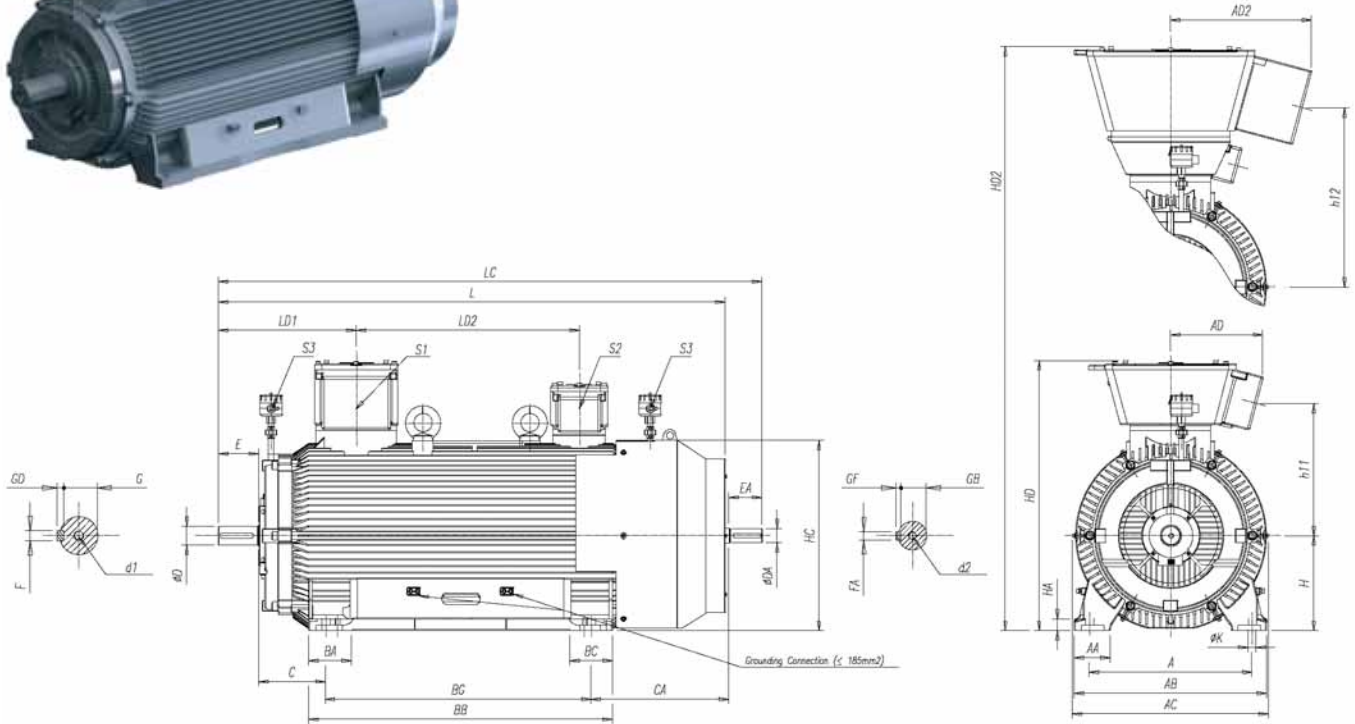
- All the dimensions are in millimeters.
- Please, do not use these dimensions for construction. Certified drawings under request.
- External thrust shall be informed at the time of Inquiry/Order.
- Executions with auxiliary terminal box and second shaft end are optional and available under request.
- For other special executions please refer to us.
- The dimensions shown are subject to change without prior notice.

OUTLINE DIMENSIONS

**IIC T4
I (M2)**

Medium Voltage

BFGC8 400G IMB3T



Poles	A	AA	AB	AC	AD ⁽¹⁾	BA	BB	BC	BG	C	CA	H	HA	HC	HD ⁽¹⁾	h11 ⁽¹⁾	K	L	LC	LD1	LD2
2P	686	150	810	827	388	200	1280	180	1120	280	580	400	50	802	1139	557	35	2135	2290	580	940
4P+																		2175	2360	620	

Poles	Shaft dimensions										Bearings			
	D	E	F	G	GD	DA	EA	FA	GB	GF	d1	d2	D.E	N.D.E
2P	80m6	170	22h9	71	14	60	140	18h9	53	11	DSM20	DSM20	6318C3	6318C3
4P+	110m6	210	28h9	100	16	80	170	22h9	71	14	DSM24		6324C3	6324C3

Poles	Power terminal box - S1 ⁽¹⁾	Auxiliary terminal box - S2	Auxiliary terminal box - S3
	2P	CEFGH 340	CEFGH 220
4P+	315A<I≤400A: 3xM63x1,5	2xM20x1,5	1/2" NPT

I > 400A			
Poles	AD2	HD2	h12
2P			
4P+	594	1408	747
	Power terminal box - CEFGH 500 - S1		
	400A<I≤1200A: 3xM63x1,5		

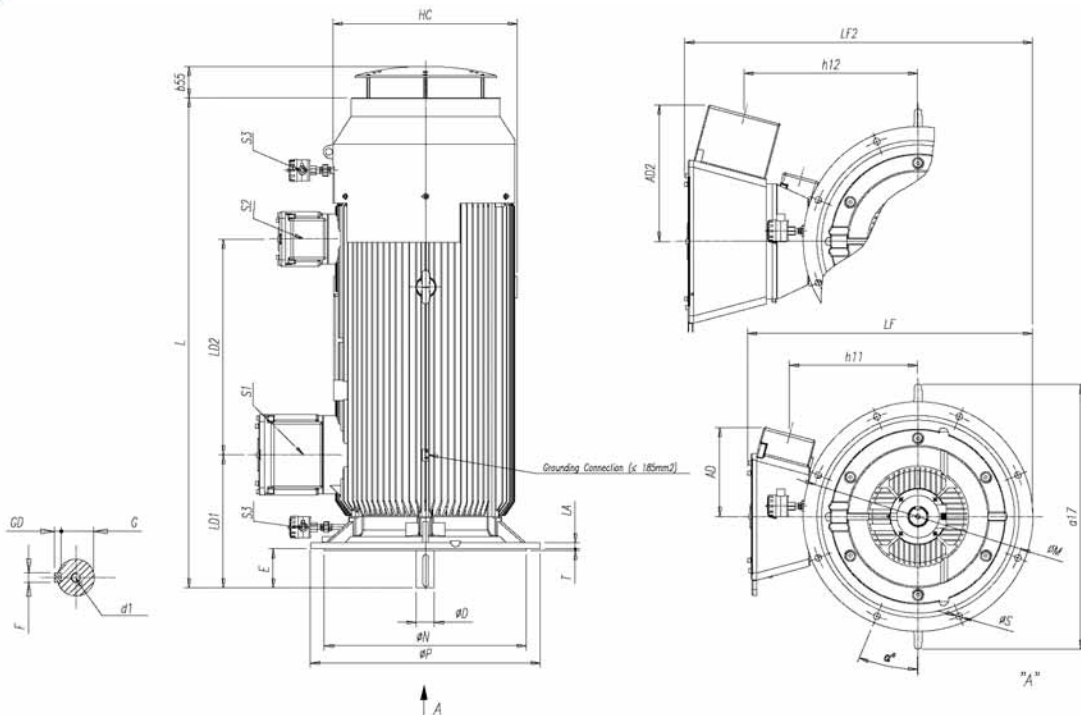
- Notes: (1) I ≤ 400A
- All the dimensions are in millimeters.
 - Please, do not use these dimensions for construction. Certified drawings under request.
 - External thrust shall be informed at the time of Inquiry/Order.
 - Executions with auxiliary terminal box and second shaft end are optional and available under request.
 - For other special executions please refer to us.
 - The dimensions shown are subject to change without prior notice.

OUTLINE DIMENSIONS

IIC T4
I (M2)

Medium Voltage

BFGC8 400G IMV1



Poles	AD ⁽¹⁾	HC	h11 ⁽¹⁾	L	LA	LD1	LD2	LF ⁽¹⁾	a17	b55	M	N	P	T	S	Nr. Holes	α
2P	388	802	558	2135	28	580	940	1240	1154	136	940	880	1000	6	28	8	22,5°
4P+				2175													

Poles	Shaft dimensions						Bearings		Power terminal box - S1 ⁽¹⁾			Auxiliary terminal box - S2		Auxiliary terminal box - S3
	D	E	F	G	GD	d1	D,E	N,D,E	CEFGH 340			CEFGH 220		Pt 100 Bearing Box
2P	80m6	170	22h9	71	14	DSM20	7318	6318C3	I ≤ 315A: 1xM63x1,5			2xM20x1,5		1x1/2" NPT
4P+	110m6	210	28h9	100	16	DSM24	7324	6324C3	315A < I ≤ 400A: 3xM63x1,5					

I > 400A				
Poles	AD2	LF2	h12	Power terminal box - CEFGH 500 - S1
2P	594	1507	747	400A < I ≤ 1200A: 3xM63x1,5
4P+				

Notes: (1) I ≤ 400A

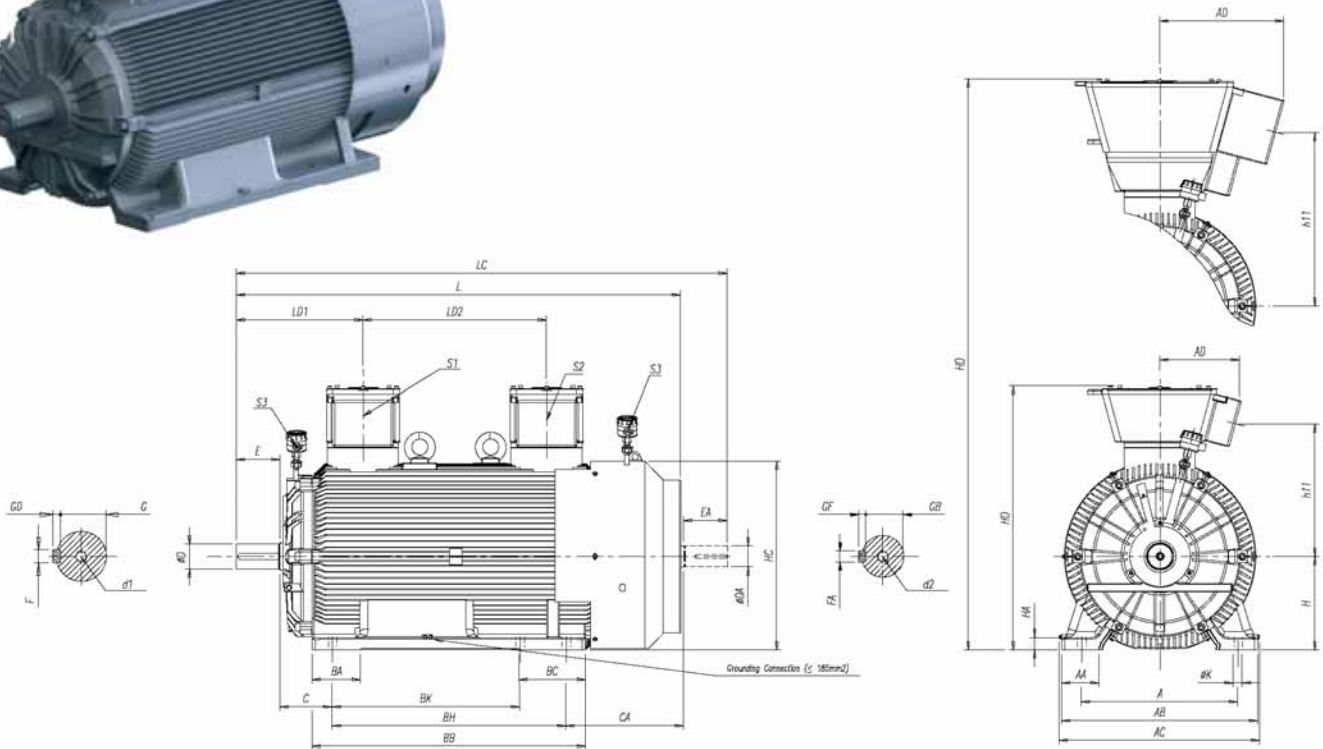
- All the dimensions are in millimeters.
- Please, do not use these dimensions for construction. Certified drawings under request.
- External thrust shall be informed at the time of Inquiry/Order.
- Executions with auxiliary terminal box and second shaft end are optional and available under request.
- For other special executions please refer to us.
- The dimensions shown are subject to change without prior notice.

OUTLINE DIMENSIONS

IIC T4
I (M2)

BFGC8 450KH IMB3T

Medium Voltage



Poles	A	AA	AB	AC	AD ⁽¹⁾	BA	BB	BC	BK	BH	C	CA	H	HA	HC	HD ⁽¹⁾	h11 ⁽¹⁾	K	L	LC	LD1	LD2
2P	750	180	940	957	388	230	1310	320	900	1120	250	564	450	60	908	1269	654	42	2089	2244	568	880
4P+																			2129	2354	608	

Poles	Shaft dimensions											Bearings		
	D	E	F	G	GD	DA	EA	FA	GB	GF	d1	d2	D,E	N,D,E
2P	85m6	170	22h9	76	14	75	140	20h9	67,5	12	DSM20	DSM20	N218 + 6218C3	N218
4P+	120m6	210	32h9	109	18	100	210	28h9	90	16	DSM24	DSM20	6326C3	6326C3

Poles	Power terminal box - S1 ⁽¹⁾	Auxiliary terminal box - S2	Auxiliary terminal box - S3
	2P	CEFGH 340 I ≤ 315A: 1xM63x1,5	CEFGH 340 2xM20x1,5
4P+	315A < I ≤ 400A: 3xM63x1,5		

I > 400A			
Poles	AD2	HD2	h12
2P			
4P+	594	1562	853

Power terminal box - CEFGH 500 - S1
400A < I ≤ 1200A: 3xM63x1,5

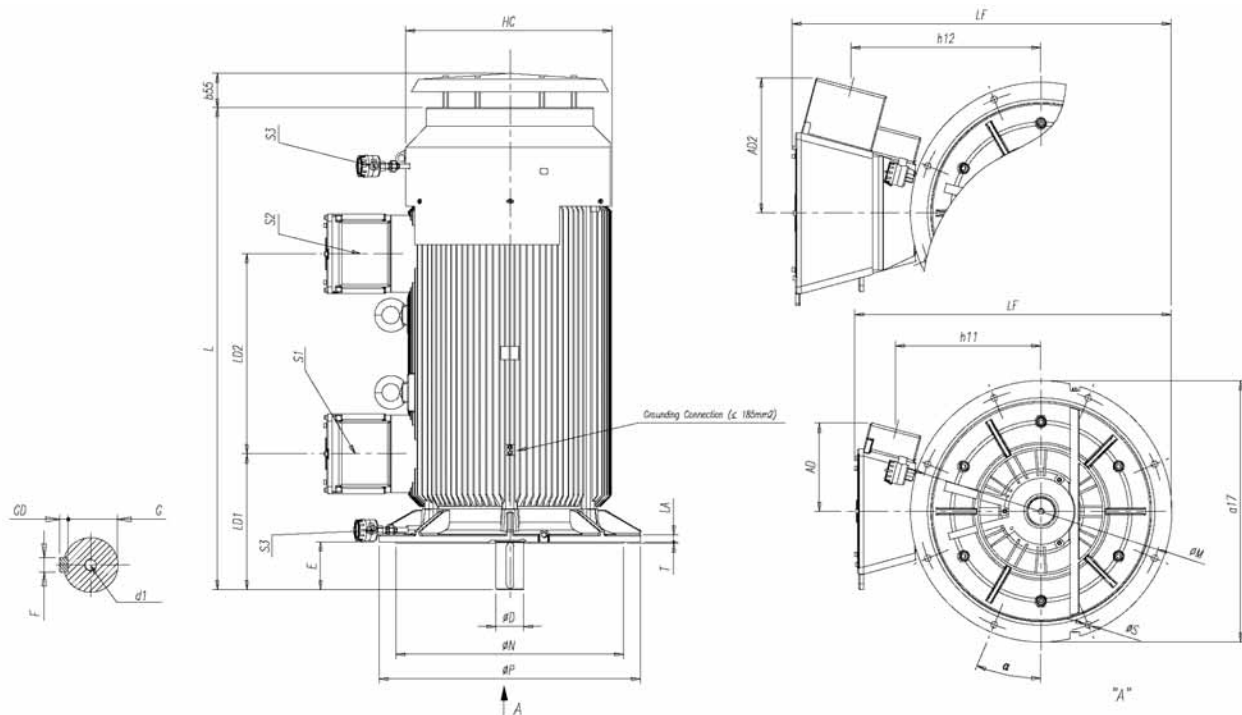
- Notes: (1) I ≤ 400A
- All the dimensions are in millimeters.
 - Please, do not use these dimensions for construction. Certified drawings under request.
 - External thrust shall be informed at the time of Inquiry/Order.
 - Executions with auxiliary terminal box and second shaft end are optional and available under request.
 - For other special executions please refer to us.
 - The dimensions shown are subject to change without prior notice.

OUTLINE DIMENSIONS

IIC T4
I (M2)

Medium Voltage

BFGC8 450KH IMV1



Poles	AD ⁽¹⁾	HC	h11 ⁽¹⁾	L	LA	LD1	LD2	LF ⁽¹⁾	a17	b55	M	N	P	T	S	Nr. Holes	α
4P+	388	908	654	2129	30	608	880	1394	1150	153	1080	1000	1150	6	30	8	22,5°

	Shaft dimensions						Bearings		Power terminal box - S1 ⁽¹⁾	Auxiliary terminal box - S2	Auxiliary terminal box - S3
Poles	D	E	F	G	GD	d1	D.E	N.D.E	CEFGH 340	CEFGH 340	Pt 100 Bearing Box
4P+	120m6	210	32h9	109	18	DSM24	7326	6326C3	I ≤ 315A: 1xM63x1,5 315A < I ≤ 400A: 3xM63x1,5	2xM20x1,5	1x1/2" NPT

I > 400A				
Poles	AD2	LF2	h12	Power terminal box - CEFGH 500 - S1
4P+	594	1688	853	400A < I ≤ 1200A: 3xM63x1,5

Notes: (1) I ≤ 400A

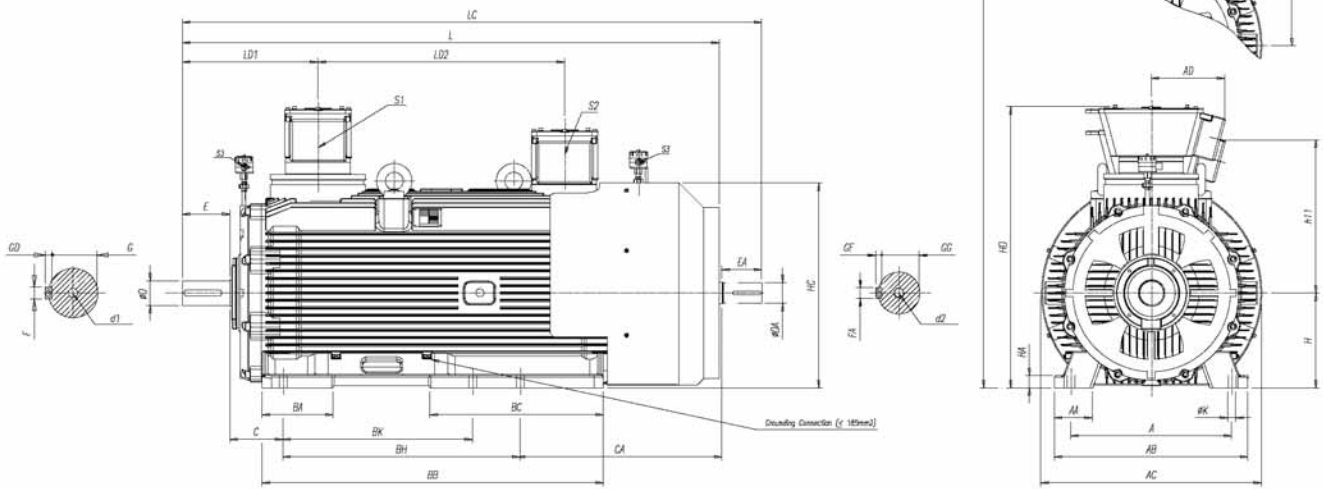
- All the dimensions are in millimeters.
- Please, do not use these dimensions for construction. Certified drawings under request.
- External thrust shall be informed at the time of Inquiry/Order.
- Executions with auxiliary terminal box and second shaft end are optional and available under request.
- For other special executions please refer to us.
- The dimensions shown are subject to change without prior notice.

OUTLINE DIMENSIONS

IIC T4
I (M2)

Medium Voltage

W22XC 500KH IMB3T



Poles	A	AA	AB	AC	AD ⁽¹⁾	BA	BB	BC	BK	BH	C	CA	H	HA	HC	HD ⁽¹⁾	h11 ⁽¹⁾	K	L	LC	LD1	LD2
2P	850	200	1020	1162	388	375	1800	915	1000	1250	280	1080	500	65	1081	1490	808	42	2750	2905	635	1300
4P+																			2830	3055	715	

Poles	Shaft dimensions										Bearings			
	D	E	F	G	GD	DA	EA	FA	GB	GF	d1	d2	D.E	N.D.E
2P	90m6	170	25	81	14	75	140	20	67,5	12	DSM24	DSM20	NU220C3 + 6020C3	NU220C3
4P+	130m6	250	32	119	18	110	210	28	100	16	DSM24	DSM24	6328C3	6328C3

	Power terminal box - S1 ⁽¹⁾	Auxiliary terminal box - S2	Auxiliary terminal box - S3
Poles	CEFGH340	CEFGH340	Pt Bearing Box
2P	≤315A: 1xM63x1,5	2xM20x1,5	1x1/2" NPT
4P+	315A<I≤400A: 3xM63x1,5		

I > 400A			
Poles	AD2	HD2	h12
2P	594	1704	946
4P+	400A<I≤1200A: 3xM63x1,5		

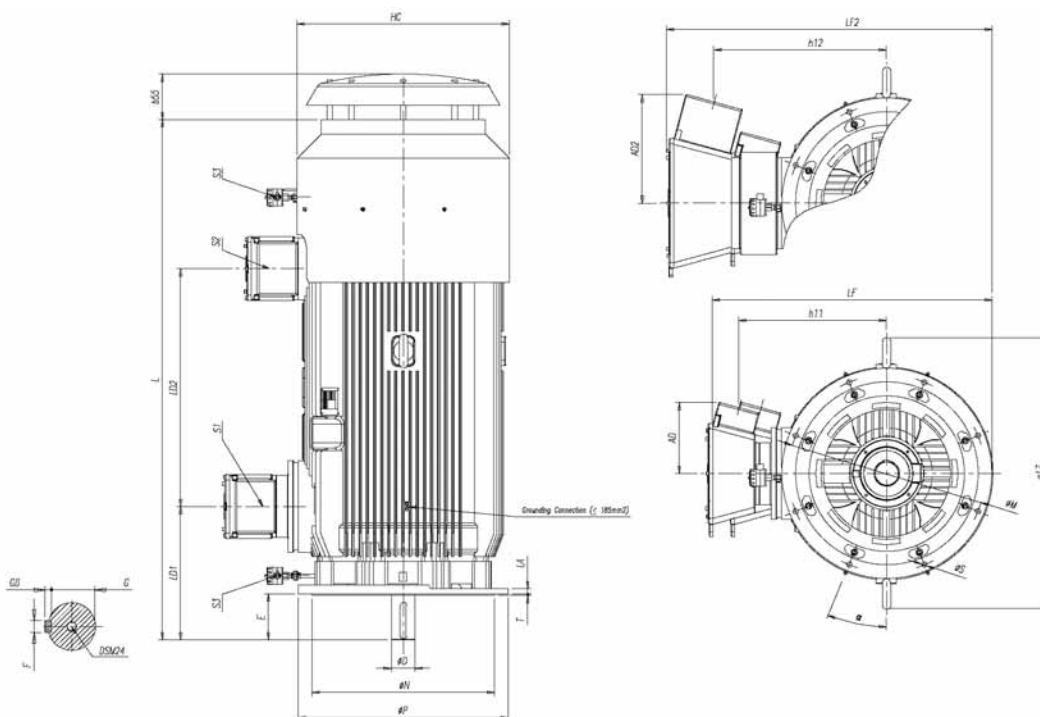
- Notes: (1) I ≤ 400A
- All the dimensions are in millimeters.
 - Please, do not use these dimensions for construction. Certified drawings under request.
 - External thrust shall be informed at the time of Inquiry/Order.
 - Executions with auxiliary terminal box and second shaft end are optional and available under request.
 - For other special executions please refer to us.
 - The dimensions shown are subject to change without prior notice.

OUTLINE DIMENSIONS

IIC T4
I (M2)

Medium Voltage

W22XC 500KH IMV1



Poles	AD ⁽¹⁾	HC	h11 ⁽¹⁾	L	LA	LD1	LD2	LF ⁽¹⁾	a17	b55	M	N	P	T	S	Nr. Holes	α
4P+	388	1162	808	2830	30	715	1300	1536	1482	250	1080	1000	1150	7	28	8	22,5°

	Shaft dimensions						Bearings		Power terminal box - S1 ⁽¹⁾	Auxiliary terminal box - S2	Auxiliary terminal box - S3
Poles	D	E	F	G	GD	d1	D.E	N.D.E	CEFGH340	CEFGH340	Pt 100 Bearin Box
4P+	130m6	250	32h9	119	18	DSM24	7328	6328C3	I ≤ 315A: 1xM63x1,5 315A < I ≤ 400A: 3xM63x1,5	2xM20x1,5	1x 1/2" NPT

I > 400A				
Poles	AD2	LF2	h12	Power terminal box - CEFGH 500 - S1
4P+	594	1785	946	400A < I ≤ 1200A: 3xM63x1,5

Notes: (1) I ≤ 400A

- All the dimensions are in millimeters.
- Please, do not use these dimensions for construction. Certified drawings under request.
- External thrust shall be informed at the time of Inquiry/Order.
- Executions with auxiliary terminal box and second shaft end are optional and available under request.
- For other special executions please refer to us.
- The dimensions shown are subject to change without prior notice.

4.3 MEDIUM VOLTAGE NON SPARKING MOTORS BFN6

4.3.1 PRODUCT SPECIFICATION

■ Range

The present catalogue refers to TEFC, high voltage, three phase, squirrel cage induction motors up to 6600 V, ribbed frames, **BFN** series, with shaft height from 315 to 500 mm, with following powers:

KW	RPM	
90 up to 1000 kW	3000 RPM	
90 up to 1400 kW	1500 RPM	Under request, are
90 up to 1120 kW	1000 RPM	available higher outputs
90 up to 900 kW	750 RPM	on this motor series.

■ Particular specifications related to Hazardous Areas

The motor series **BFN6** have the specification code **Ex nA**, and comply with European Standards listed on paragraph 1.2.2 for the gases **Group II** and Temperature Class T3.

This motor series has the **CE** marking in compliance with European Directive 94/4/EC (ATEX), and are classified as equipment **Group II** (Surface Industries), Category **3**, suitable to use on **Zones 2** – Gases and Vapours (**G**).

The Non Sparking motors in this catalogue are third part certified by Ex Notified Body Baseefa in UK, accredited organization by EU.

■ Construction

- **Mechanical protection:** IP 55
- **Insulation:** class F
- **Temperature rise:** 80 K
- **Main components:**
 Frame: **cast iron**
 Terminal box: **cast iron**, with **pressed steel** cover
 Endshields: **cast iron**
 Fan: **aluminium, steel** or **polypropylene**
 Fan cover: **steel**
- **Finish:** industrial paint system, standard color **RAL 5010**

■ Voltage and frequency

The performance data referred on the present catalogue is for motors operating with a voltage of **6000V ± 5%** and a frequency of **50Hz ± 2%**, on continuous service.

For voltages of **6600V** all figures are equivalent, except the rated current (In), which shall be multiplied by a factor of 0,9. Under request are available other voltages up to **6600V**, and frequencies **50** or **60Hz**.

■ Basic design

■ Cooling method:

The cooling method is IC 411 in accordance with standard IEC 60034-6 - motors cooled by an external fan.

■ Direction of rotation:

On frame sizes 315 (all speeds) and frames 355/400 (4 pole and above), as standard the motors are fitted with a bi-directional fan.

On remaining frames, the fans are unidirectional, leaving the factory as standard CW direction viewed from shaft end with the phasesequence of U, V, and W. In these cases the direction of rotation must be specified with the order.

■ Electrical connection:

3 terminals are provided for star connection with neutral point connected inside the windings.

■ Terminal boxes:

On **BFN6** motors, the main and auxiliary terminal box, are located at top of motor frame and can be rotated by 180° to suit cable entry from left or right hand side.

As standard the cables entries are foreseen on right hand side when viewed from D.E side.

Note: customer shell refer cable entry direction with order.

■ Protections/Auxiliaries:

As standard the BFN medium voltage motors are fitted with the following protections:

- 3 RTD's - Pt 100 – on windings, 1 per phase, 3 wires
- 2 RTD's - Pt 100 – on bearings, 1 per bearing, 3 wires
- Anti-condensation heaters – 230V

All auxiliaries are connected in to an auxiliary terminal box.

As option under request, the motors can be fitted with other number or type of protections either on windings and bearings.

■ Earth connection:

All motors are equipped with an earth screw inside of terminal box. A second external earth connection is also provided on motor frame, on foot or on flange depending on mounting form.

■ Bearings:

The bearings indicated on this catalogue refer to standard horizontal mounting form and for direct coupling.

On frame sizes 315L and above, the motors are equipped on both sides with deep groove ball bearings, pre-loaded by an axial springwasher or springs, except the 2 pole motors frames 450 and 500, which are fitted with 3 bearings arrangement (roller + ball in DE and roller in NDE).

As optional execution under request, sleeve bearings can also be fitted in all frame sizes and polarities (self declaration or certification on request). In the case of pulley/belt drive transmission, the drive end bearing can be replaced by a roller bearing.

On vertical mounting motors, the bearings can be thrust bearing types and are defined according to the axial loads involved on the application.

■ **Lubrication:**

As standard, when the motors are equipped with ball, roller, or other type of bearings, they are grease lubricated. Grease nipples and relief valves are provided to allow re-lubrication while the motor is running.

When the motors are fitted with sleeve bearings, as standard they are self lubricated type

■ **Balancing:**

The motors are dynamically balanced with half-key to meet the vibration limits of standard IEC 60034-14, **Grade A.**

Grade B can be provided under request.

The D.E. and N.D.E. endshields are designed to fit, under request, optional captors for vibration monitoring detectors or other devices.



4.3.2 ELECTRICAL DATA - BFN6 SERIES

II T3

Non Sparking Motors - Ex nA

Medium Voltage

II and IV Pole

												6000V						
Output KW HP		Frame IEC	T _n (Nm)	I _s /I _n	T _s /T _n	T _{max} /T _n	Inertia J Kgm ²	Allowable locked rotor time Hot/Cold (s)	Weight Kg	Sound dB (A)	rpm min ⁻¹	% of full load						I _n (A)
												Efficiency η			Power Factor Cos φ			
												50	75	100	50	75	100	
II Pole - 3000 min-1																		
90	120	BFN6 315L	288	6,7	1,7	2,7	1,0	20	1180	82	2982	91,3	93,1	93,8	0,67	0,76	0,81	11,4
110	150	BFN6 315L	353	6,1	1,6	2,4	1,1	20	1220	82	2980	91,7	93,5	94,2	0,69	0,78	0,83	13,5
132	180	BFN6 315L	423	6,5	1,7	2,5	1,2	20	1300	82	2980	92,2	94,0	94,8	0,71	0,80	0,84	16,0
160	215	BFN6 355MLJ	512	6,0	1,3	2,5	2,4	20	1700	80	2983	94,0	95,2	95,6	0,81	0,87	0,88	18,3
200	270	BFN6 355MLJ	640	6,0	1,3	2,5	2,6	20	1800	80	2983	94,4	95,3	95,7	0,83	0,86	0,88	22,9
250	340	BFN6 355MLJ	800	6,3	1,5	2,7	3,4	18	1900	80	2983	94,8	95,8	96,0	0,83	0,87	0,88	28,5
280	380	BFN6 355MLJ	896	6,9	1,8	3,0	3,4	12	1950	80	2985	95,4	96,0	96,2	0,78	0,84	0,86	32,6
315	425	BFN6 355MLJ	1008	6,8	1,6	2,7	3,7	14	2000	80	2985	95,6	96,2	96,4	0,84	0,87	0,88	35,7
355	480	BFN6 355MLJ	1136	6,8	1,8	2,9	4,2	11	2250	80	2985	95,7	96,3	96,5	0,85	0,88	0,89	39,8
400	540	BFN6 355MLJ (1)	1280	7,0	1,9	3,0	4,1	5	2250	80	2985	95,7	96,3	96,5	0,83	0,86	0,88	45,3
400	540	BFN6 400L	1281	6,7	1,6	2,7	5,7	9	2800	80	2982	95,4	96,2	96,5	0,78	0,84	0,86	46,4
450	610	BFN6 400J	1441	6,5	1,5	2,6	6,9	9	3000	80	2982	96,1	96,6	96,6	0,81	0,85	0,86	52,1
500	675	BFN6 400J	1601	6,6	1,6	2,7	7,4	8	3200	80	2983	96,0	96,7	96,9	0,79	0,85	0,87	57,1
560	755	BFN6 400J (1)(3)	1790	7,5	1,1	3,3	11,7	19	3850	80	2988	96,3	96,8	97,0	0,84	0,89	0,90	61,7
560	755	BFN6 400G (3)	1790	7,5	1,1	3,3	11,7	19	3850	80	2988	96,3	96,8	97,0	0,84	0,89	0,90	61,7
630	850	BFN6 400G (1)(3)	2014	7,5	1,2	3,2	11,7	14	3900	80	2988	96,3	96,9	97,1	0,84	0,89	0,90	69,4
630	850	BFN6 450KH (3)	2013	5,5	0,7	2,3	11,9	20	4600	80	2989	96,3	96,9	97,2	0,83	0,87	0,87	71,7
710	960	BFN6 450KH (3)	2268	5,5	0,7	2,3	13,4	20	4700	80	2989	96,3	96,9	97,2	0,83	0,87	0,87	80,8
800	1080	BFN6 450KH (1)(3)	2555	7,0	0,8	3,0	13,6	20	4850	80	2990	96,5	97,1	97,3	0,83	0,88	0,89	88,9
800	1080	BFN6 500H (3)																
900	1215	BFN6 500H (3)																
1000	1350	BFN6 500H (3)																
												Available on request						
IV Pole - 1500 min-1																		
90	120	BFN6 315L	580	5,7	1,9	2,0	1,7	20	1050	82	1483	91,6	93,0	93,3	0,66	0,74	0,77	12,0
110	150	BFN6 315L	708	6,1	2,1	2,1	1,9	19	1100	82	1484	91,7	93,1	93,5	0,65	0,73	0,76	14,8
132	180	BFN6 315L	849	6,5	2,3	2,3	2,2	14	1200	82	1485	92,2	93,6	94,0	0,63	0,72	0,75	18,0
160	215	BFN6 355MLJ	1026	5,7	1,3	2,5	4,4	20	1675	80	1489	93,5	94,7	95,0	0,77	0,83	0,83	19,5
200	270	BFN6 355MLJ	1283	6,0	1,3	2,5	5,1	20	1725	80	1489	93,8	94,8	95,2	0,74	0,81	0,83	24,4
250	340	BFN6 355MLJ	1603	6,0	1,3	2,5	5,8	20	1925	80	1489	93,7	95,2	95,7	0,74	0,81	0,83	30,3
280	380	BFN6 355MLJ	1796	6,1	1,3	2,6	5,9	20	2025	80	1489	94,5	95,5	95,8	0,69	0,78	0,82	34,3
315	425	BFN6 355MLJ	2020	6,3	1,4	2,6	6,6	20	2125	80	1489	95,0	95,8	96,0	0,71	0,80	0,83	38,0
355	480	BFN6 355MLJ	2277	6,3	1,4	2,6	7,3	20	2225	80	1489	95,2	96,0	96,2	0,71	0,80	0,83	42,8
400	540	BFN6 355MLJ (1)	2565	6,0	1,5	2,6	7,6	20	2275	80	1489	94,5	95,8	96,2	0,71	0,78	0,83	48,2
400	540	BFN6 400L	2562	6,5	1,5	2,6	9,0	20	2700	80	1491	95,2	96,2	96,5	0,71	0,80	0,83	48,1
450	610	BFN6 400J	2882	6,8	1,5	2,7	10,4	21	3050	80	1491	95,9	96,5	96,6	0,72	0,80	0,83	54,0
500	675	BFN6 400J	3203	6,8	1,5	2,6	10,8	19	3175	80	1491	95,8	96,5	96,7	0,70	0,79	0,83	59,9
560	755	BFN6 400J (3)	3589	6,3	0,8	2,7	11,4	20	3350	80	1490	95,9	96,6	96,8	0,73	0,81	0,84	66,3
630	850	BFN6 400J (3)	4041	6,1	0,6	2,5	13,9	20	4100	85	1489	95,6	96,3	96,3	0,78	0,83	0,84	74,9
710	960	BFN6 400G (1)(3)	4554	6,5	0,7	2,6	13,9	20	4100	85	1489	95,4	96,2	96,4	0,73	0,81	0,84	84,4
710	960	BFN6 450KH	4545	6,3	1,3	2,4	23,3	19	4750	86	1492	96,1	96,8	97,0	0,74	0,82	0,84	83,8
800	1080	BFN6 450KH (3)	5117	6,4	0,7	2,8	26,1	20	5150	86	1493	96,3	96,8	97,0	0,76	0,83	0,86	92,3
900	1215	BFN6 450KH (3)	5761	6,4	0,7	2,4	26,1	20	5300	86	1492	96,5	96,9	97,0	0,78	0,84	0,86	104
1000	1350	BFN6 500H (3)	6388	5,6	0,7	2,1	61,1	20	10050	91	1495	95,5	96,6	97,0	0,81	0,86	0,87	114
1120	1515	BFN6 500H (3)	7155	5,3	0,7	2,1	65,0	20	10250	91	1495	96,0	96,8	97,2	0,82	0,86	0,87	127
1250	1690	BFN6 500H (3)	7985	5,3	0,7	2,1	69,4	20	10400	91	1495	96,0	96,9	97,2	0,82	0,86	0,87	142
1400	1890	BFN6 500H (1)(3)	8943	5,6	0,7	2,1	72,2	20	10630	91	1495	96,1	96,9	97,2	0,82	0,86	0,87	159

(1) - Temperature rise class F at full load (2) - Standard motor with sleeve bearings (3) - Copper rotor (4) - Rated current at 690V

T_n = Full load torque I_s / I_n = Locked rotor current T_s / T_n = Locked rotor torque T_{max} / T_n = Breakdown torque I_n = Full load current

Notes: - Motor frame 500, 2 pole, 50Hz available under request.

- The motors can also operate on a 60Hz supply. For motors frames 450 and 500 2 pole, please refer to us.

- To obtain electrical data for 60Hz, please refer to us

- All values are according to IEC 60034-1 tolerances.

- The indicated values for sound pressure levels are @ 1m no load, with 3 dB(A) tolerance.

- This data can be changed without prior notice.

Standard voltage, connection and frequency:
6000V Y 50Hz

VI and VIII Pole

												6000V						
Output		Frame IEC	T _n (Nm)	I _s /I _n	T _s /T _n	T _{max} /T _n	Inertia J Kg·m ²	Allowable locked rotor time Hot/Cold (s)	Weight Kg	Sound dB (A)	rpm min ⁻¹	% of full load						I _n (A)
KW	HP											Efficiency η			Power Factor Cos φ			
												50	75	100	50	75	100	
VI Pole - 1000 min⁻¹																		
90	120	BFN6 315L	870	6,5	1,6	2,9	2,9	11	1100	76	988	88,9	90,8	91,3	0,63	0,73	0,78	12,2
110	150	BFN6 315L	1063	6,5	1,7	2,8	3,2	10	1200	76	988	89,2	91,1	91,6	0,62	0,72	0,77	15,0
132	180	BFN6 355MLJ	1273	6,2	1,3	2,3	5,8	20	1600	76	990	93,7	94,5	94,5	0,69	0,78	0,81	16,6
160	215	BFN6 355MLJ	1543	6,2	1,3	2,4	6,9	20	1700	76	990	94,2	94,8	94,8	0,70	0,79	0,82	19,8
200	270	BFN6 355MLJ	1929	6,3	1,4	2,4	7,9	20	1800	76	990	94,0	95,0	95,2	0,66	0,77	0,81	25,0
250	340	BFN6 355MLJ	2412	6,3	1,4	2,4	10,0	20	2050	76	990	94,5	95,4	95,5	0,67	0,77	0,81	31,1
280	380	BFN6 355MLJ	2701	6,3	1,4	2,2	10,0	20	2175	76	990	94,7	95,5	95,6	0,66	0,77	0,81	34,8
315	425	BFN6 355MLJ (1)	3042	6,2	1,5	2,4	10,0	20	2200	76	989	94,2	95,2	95,7	0,72	0,78	0,81	39,1
315	425	BFN6 400L	3036	6,5	1,1	2,5	10,3	20	2600	76	991	95,3	95,8	95,6	0,66	0,77	0,81	39,1
355	480	BFN6 400L	3421	6,5	1,1	2,5	12,1	20	2750	76	991	94,3	95,3	95,8	0,67	0,77	0,81	44,0
400	540	BFN6 400J	3851	6,7	1,0	2,5	12,9	20	2950	76	992	96,6	96,5	96,4	0,73	0,77	0,81	49,3
450	610	BFN6 400J (3)	4328	5,9	0,6	2,1	15,1	20	3450	76	993	95,9	96,1	96,1	0,75	0,80	0,83	54,3
500	675	BFN6 400J (3)	4814	6,0	0,6	2,1	15,5	20	3650	76	992	96,0	96,2	96,2	0,74	0,80	0,83	60,3
560	755	BFN6 400G (1)(3)	5391	6,0	0,6	2,0	17,1	20	3850	76	992	96,4	96,4	96,3	0,75	0,80	0,83	67,4
560	755	BFN6 450KH	5386	6,5	1,0	2,2	35,1	20	4650	78	993	96,1	96,4	96,5	0,77	0,82	0,84	66,5
630	850	BFN6 450KH (3)	6053	6,0	0,8	2,9	40,0	20	5000	78	994	95,2	96,1	96,4	0,73	0,81	0,84	74,9
710	960	BFN6 450KH (3)	6821	6,0	0,8	2,9	43,6	20	5150	78	994	95,5	96,3	96,5	0,74	0,82	0,85	83,3
800	1080	BFN6 450KH (1)(3)	7686	6,0	0,7	2,8	43,6	20	5150	78	994	95,8	96,4	96,5	0,76	0,83	0,85	93,8
800	1080	BFN6 500H (3)	7678	6,0	0,7	2,4	80,9	20	10400	80	995	97,7	97,1	97,2	0,74	0,82	0,84	94,6
900	1215	BFN6 500H (3)	8638	6,0	0,7	2,4	91,0	20	10650	80	995	96,9	97,3	97,3	0,75	0,82	0,84	106
1000	1350	BFN6 500H (3)	9598	6,0	0,7	2,4	95,8	20	11100	80	995	96,9	97,3	97,3	0,75	0,82	0,84	118
1120	1515	BFN6 500H (3)	10750	6,0	0,7	2,4	101	20	11750	80	995	97,1	97,4	97,4	0,75	0,82	0,84	132
VIII Pole - 750 min⁻¹																		
90	120	BFN6 315L (1)	1169	5,0	0,7	1,9	2,0	20	1400	73	735	88,0	90,0	90,5	0,54	0,65	0,72	13,3
90	120	BFN6 355MLJ	1158	5,9	1,1	2,5	5,6	20	1450	74	742	90,5	92,5	93,0	0,54	0,66	0,72	12,9
110	150	BFN6 355MLJ	1418	5,8	1,0	2,4	5,6	20	1575	74	741	90,8	92,8	93,3	0,54	0,66	0,72	15,8
132	180	BFN6 355MLJ	1701	5,8	1,0	2,4	6,0	20	1750	74	741	91,0	93,0	93,5	0,54	0,66	0,72	18,9
160	215	BFN6 355MLJ	2062	5,8	1,1	2,4	7,2	20	1950	74	741	91,5	93,5	94,0	0,54	0,66	0,72	22,7
200	270	BFN6 355MLJ (1)	2578	5,8	1,0	2,4	8,3	20	2250	74	741	92,5	94,0	94,5	0,55	0,67	0,73	27,9
200	270	BFN6 400L	2574	5,5	0,7	2,1	14,6	20	2500	74	742	93,1	94,2	94,5	0,58	0,69	0,74	27,5
250	340	BFN6 400L	3218	5,5	0,7	2,1	15,6	20	2675	74	742	93,1	94,2	94,5	0,58	0,69	0,74	34,4
280	380	BFN6 400L	3604	5,6	0,7	2,1	16,6	20	2850	74	742	93,6	94,5	94,8	0,60	0,71	0,75	37,9
315	425	BFN6 400J (3)	4054	5,0	0,7	2,1	17,2	20	3125	74	742	95,8	96,0	95,7	0,68	0,76	0,79	40,1
355	480	BFN6 400J (3)	4569	5,0	0,7	2,1	18,5	20	3475	74	742	95,7	95,9	95,7	0,67	0,76	0,79	45,2
400	540	BFN6 400G (3)	5141	5,4	0,9	2,0	21,0	20	4250	74	743	95,4	95,7	95,6	0,70	0,77	0,80	50,3
450	610	BFN6 400G (1)(3)	5784	5,6	1,0	2,1	23,8	9	4750	74	743	95,4	95,8	95,7	0,70	0,77	0,80	56,6
450	610	BFN6 450KH (3)	5776	6,0	0,7	2,3	41,0	20	5600	76	744	94,0	95,0	95,5	0,66	0,76	0,81	56,0
500	675	BFN6 450KH (3)	6418	6,0	0,7	2,3	45,5	20	5850	76	744	94,0	95,0	95,5	0,66	0,76	0,81	62,2
560	755	BFN6 450KH (1)(3)	7198	6,0	0,7	2,3	55,5	20	5950	76	743	94,0	95,0	95,5	0,66	0,76	0,81	69,7
560	755	BFN6 500H (3)	7169	5,5	1,0	2,2	80,1	20	6600	80	746	94,8	95,8	96,3	0,70	0,78	0,82	68,2
630	850	BFN6 500H (3)	8065	6,0	1,1	2,6	92,7	20	6825	80	746	95,0	96,0	96,5	0,70	0,78	0,82	76,5
710	960	BFN6 500H (3)	9077	6,0	1,1	2,6	101,2	20	7250	80	747	95,2	96,2	96,7	0,70	0,78	0,82	86,3
800	1080	BFN6 500H (3)	10228	6,0	1,1	2,6	113,8	20	8200	80	747	95,2	96,2	96,7	0,70	0,78	0,82	97,1
900	1215	BFN6 500H (3)																Available on request

(1) - Temperature rise class F at full load (2) - Standard motor with sleeve bearings (3) - Copper rotor (4) - Rated current at 690V

T_n = Full load torque I_s / I_n = Locked rotor current T_s / T_n = Locked rotor torque T_{max} / T_n = Breakdown torque I_n = Full load current

Notes: - Motor frame 500, 2 pole, 50Hz available under request.
 - The motors can also operate on a 60Hz supply.
 - To obtain electrical data for 60Hz, please refer to us
 - All values are according to IEC 60034-1 tolerances.
 - The indicated values for sound pressure levels are @ 1m no load, with 3 dB(A) tolerance.
 - This data can be changed without prior notice.

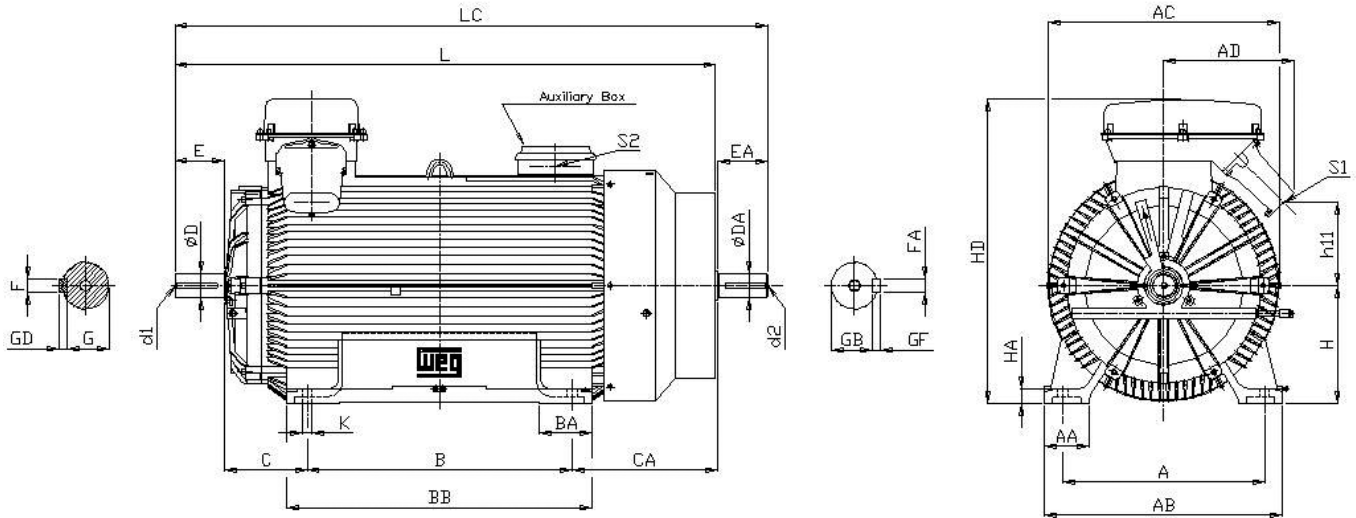
Standard voltage, connection and frequency:
 6000V Y 50Hz

4.3.3 OUTLINE DIMENSIONS - BFN6 SERIES

II T3

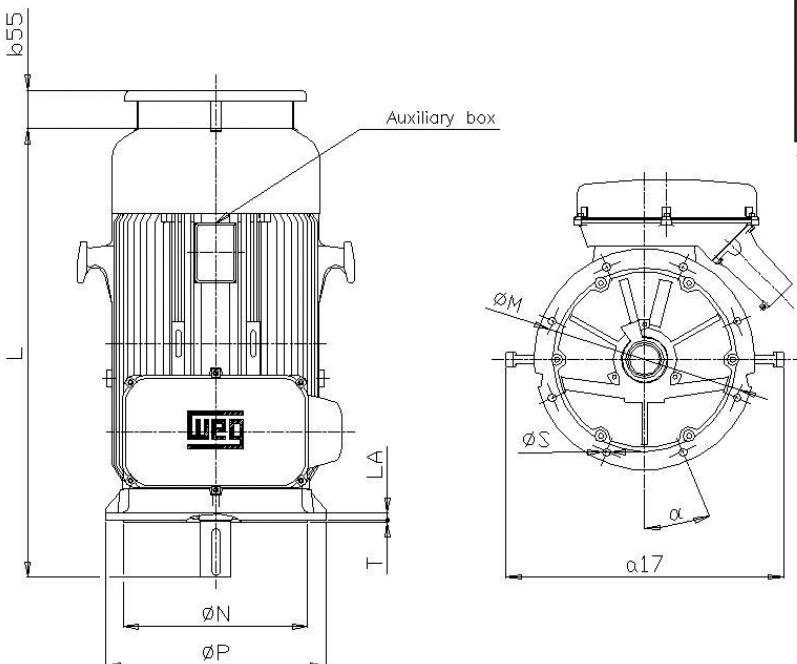
Non Sparking Motors - Ex nA

Medium Voltage



Frame	A	AA	AB	AC	AD	B	BA	BB	C	CA	Shaft Dimensions										H	HA	HD	h11	K	L	LC	S1	S2	d1	d2	Bearings			
											D	E	F	G	GD	DA	EA	FA	GB	GF												D.E	N.D.E		
315L (1)	508	125	632	622	508	155	610	216	445	90m6	170	25	81	14	70m6	140	20	62,5	12	70m6	140	18	53	11	315	40	863	204	28	1327	1479	DSM24	DSM20	6319 C3	6219 C3
315L (2)										70m6	140	20	62,5	12	60m6	140	18	53	11	1297	1449	6316 C3	N.D.E												
355MLJ (1)	610	130	730	705	560	630	800	170	920	254	530	100m6	210	28	90	16	80m6	170	22	71	14	355	45	932	234	28	1779	1964	DSM24	DSM20	6222 C3	6219 C3			
355MLJ (2)												75m6	140	20	67,5	12	60m6	140	18	53	11												1709	1864	6222 C3
400L (1)	686	150	810	785,5	710	850	1040	280	575	110m6	210	28	100	16	80m6	170	22	71	14	400	50	1032	282	35	1760	1945	DSM24	DSM20	6324 C3	6318 C3					
400L (2)										80m6	170	22	71	14	60m6	140	18	53	11												1720	1875	6324 C3	N.D.E	
400J (1)	686	150	810	785,5	900	180	1040	280	575	110m6	210	28	100	16	80m6	170	22	71	14	400	50	1032	282	35	1950	2135	DSM24	DSM20	6324 C3	6318 C3					
400J (2)										80m6	170	22	71	14	60m6	140	18	53	11												1910	2065	6318 C3	N.D.E	
400G (1)	686	150	810	785,5	1120	1280	1120	1280	575	110m6	210	28	100	16	80m6	170	22	71	14	400	50	1032	282	35	2190	2375	DSM24	DSM20	6324 C3	6318 C3					
400G (2)										80m6	170	22	71	14	60m6	140	18	53	11												2150	2305	6318 C3	N.D.E	
450KH (1)	750	180	940	896,5	900	1120	230	1310	250	564	120m6	210	32	109	18	100m6	210	28	90	16	450	60	1152	352	42	2129	2354	DSM24	DSM20	6326 C3	N.D.E				
450KH (2)	Available on request																																		
500K (1)	850	180	1020	994	442	1000	300	1310	280	920	130m6	250	32	119	18	110m6	210	28	100	16	500	65	1260	410	42	2435	2660	1xM63x1,5	3xM20x1,5	DSM24	DSM20	6328 C3	N.D.E		
500K (2)	Available on request																																		
500H (1)	850	180	1020	994	442	1250	300	1560	280	920	130m6	250	32	119	18	110m6	210	28	100	16	500	65	1260	410	42	2685	2910	1xM63x1,5	3xM20x1,5	DSM24	DSM24	6328 C3	N.D.E		
500H (2)	Available on request																																		

NOTES: (1) 1500, 1000 and 750 rpm (2) 3000 rpm (3) or 6222 C3 for 4 poles and plus machines, N.D.E (4) For 60Hz please refer to us



Frame	"FF" Flange Dimensions										Nr. holes	a17
	Flange	b55	LA	M	N	P	T	S	α			
315 L	FF-600	1165	22	600	550	660	6	24	22,5°	8	830	
355 MLJ	FF-740	125	25	740	680	800		910				
400 L/J/G	FF-940	131	28	940	880	1000	7	28	22,5°	8	980	
450 KH	FF-1080		30	1080	1000	1150		1140				
500 KH											1340	

* 2 pole motors under request.

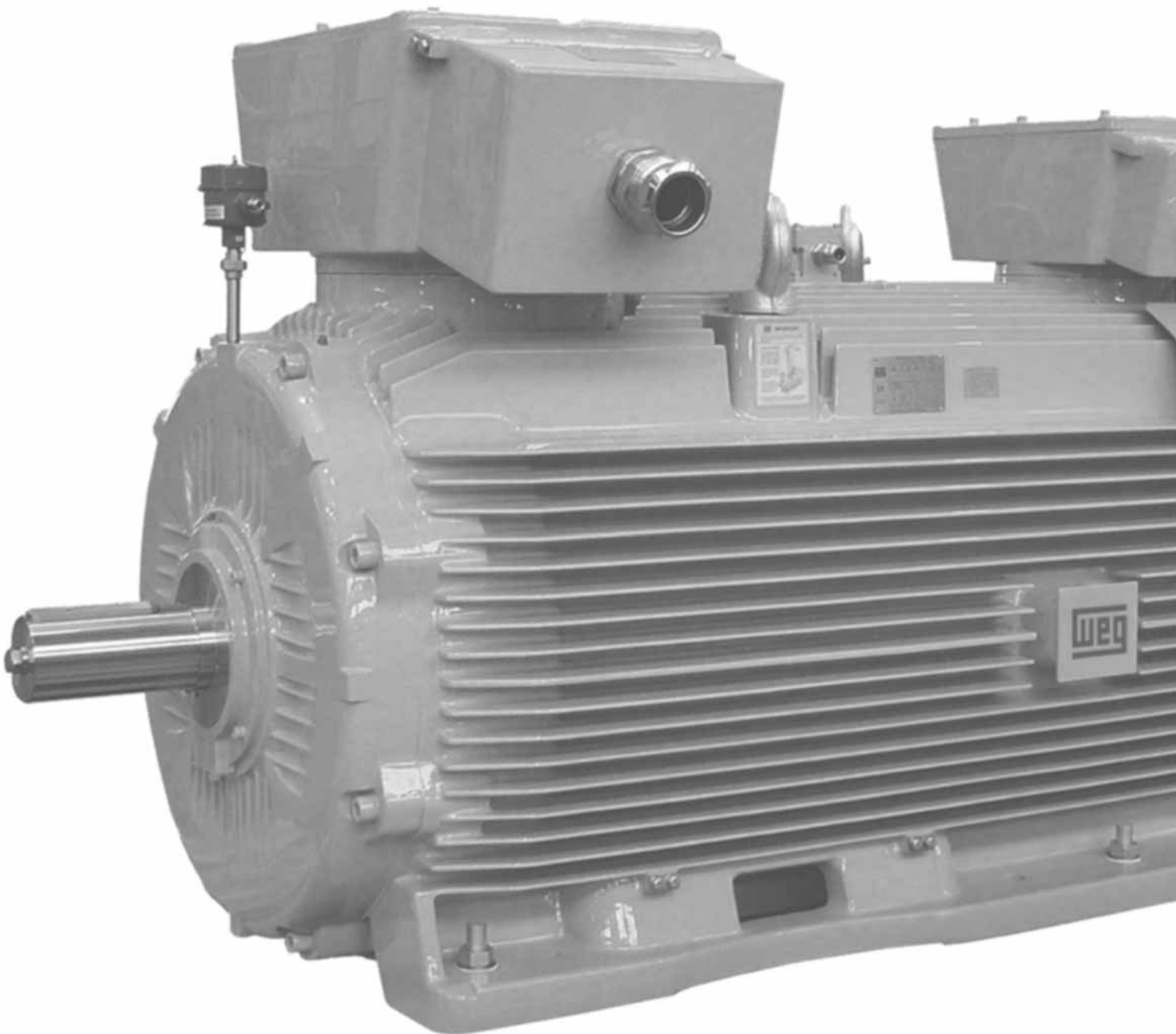
- Notes: - All the dimensions are in millimeters.
 - For all vertical applications or unusual coupling conditions, the customer shall inform the load figure with the inquiry/order.
 - Construction drawings with guaranteed values are available under request.
 - Shaft dimensions for 2 pole motors, only for direct coupling.
 - For motor frames 450 and 500, 2 pole, V1 refer to us.
 - If required terminal box entry on left hand side, please refer to us.
 - Execution with second shaft end available on request.
 - For vertical mounting, the D.E. bearing is replaced by an angular contact type, except for frame 315L (replaced by 7220 (1) or 7219 (2)).
 - The average values shown are subject to change without prior notice.

5. HIGH VOLTAGE MOTORS FOR HAZARDOUS AREAS

Flameproof - W22XB / BFG8 Series

Flameproof - W22XC / BFGC8 Series

Flameproof - W22XM / BFGM8 Series



**Totally enclosed IP55
Squirrel cage rotor**

5.1 HIGH VOLTAGE FLAMEPROOF MOTORS BFG(C)8 / W22XB(C) / BFGM8 / W22XM

5.1.1 PRODUCT SPECIFICATION

■ Range

The present catalogue refers to TEFC Flameproof, High Voltage, three phase, squirrel cage induction motors, up to 11000V, ribbed frames, **BFG(C)8** and **W22XB(C)** series with shaft height 450 and 500 mm, with the following powers:

Motor series BFG(C)8 and W22XB(C):

KW	RPM
450 up to 710 kW	3000 RPM
450 up to 900 kW	1500 RPM
355 up to 710 kW	1000 RPM
250 up to 500 kW	750 RPM

■ Particular specifications and standards related to hazardous areas

The motor series **BFG(C)8** and **W22XB(C)** comply with European Standards listed on paragraph 1.2.2, and are suitable for the following Groups, Groups of Gases and Temperature Classes:

GROUP I, mines category **M2**

GROUP II, surface industry, Gases of group **IIB**, and temperature class **T4**

GROUP II, surface industry, Gases of group **IIC**, and temperature class **T4**

Under request, are available other temperature classes.

These motor series have the **CE** marking in compliance with European Directive **94/4/EC (ATEX)**, and can be marked as equipment **GROUP I (mines susceptible of firedamp)** or **GROUP II (surface Industries)**.

The motors of **GROUP II**, are suitable to use on the following zones:

Category **2**, for Zones **1** and **21** – Gases, Vapours and Dust (**GD**).

Category **3**, for Zones **2** and **22** – Gases, Vapours and Dust (**GD**).

Category **M2** for Mines

Special design to suit Zone **21** will be available on request.

These motor series are also certified according to the **IECEx scheme**.

As standard execution, the motors are fitted with flameproof terminal boxes for gases of group **IIB** or **IIC**, with specification code **Ex d, IIB** or **Ex d, IIC**. Under request and as an alternative execution, these motors can be fitted with an Increased Safety terminal box. In this case the description code is **Ex de, IIB** or **Ex de, IIC**.

This line of flameproof motors is certified according to the above standards, by the Notified Body INERIS in France, accredited organization by EU.

■ Construction

Mechanical protection: **IP 55** as **Group II**, or **IP65** as **Group I**.

Insulation: Class **F**.

Temperature rise: 80 K.

Frames: are in **cast iron**.

Terminal boxes: are in **cast iron**.

Endshields: are in **cast iron**.

Fans: metallic, in **aluminium alloy** or **fabricated steel**.

Fan cover: in **cast iron** or **fabricated steel**, capable to withstand impact of **20 Joule**.

Finish: industrial paint system, standard **color RAL 5010 (IIB)** or **RAL 7001 (IIC)**.

■ Voltage and frequency

The performance data referred in the present catalogue is for motors operating with a voltage of **11000V ± 5%** and a frequency of **50HZ ± 2%**, on continuous service.

Under request are available lower voltages, and frequencies 50HZ or 60HZ, with a maximum rated current of 400A.

■ Basic design

■ Cooling method:

IC 411 in accordance with standard **IEC 60034-6** - motors cooled by an external fan.

■ Direction of rotation:

On frame sizes 355/400 (4 pole and above), as standard the motors are fitted with a bi-directional fan.

On remaining frames the fans are unidirectional, leaving the factory as standard on CW direction viewed from shaft end with the phase sequence of U, V, and W. In these cases the direction of rotation must be specified with order.

■ Electrical connection:

3 terminals are provided for star connection, with neutral point connected inside the windings.

■ Terminal boxes:

On these motor series, the main terminal box is located at top of motor frame allowing rotation every 180° to suit cable entry from left or right hand side.

Note: customer shall refer cable entry direction with order.

As standard, in all motors, the supply cable entries are on the right hand side when viewed from shaft end.

■ Protections/Auxiliaries:

As standard the BFG(C)8 and W22XB(C) medium voltage motors are fitted with the following protections:

- 3 RTD's - Pt 100 – on windings, 1 per phase, 3 wires
- 2 RTD's - Pt 100 – on bearings, 1 per bearing, 3 wires
- Anti-condensation heaters – 230V

As option under request, the motors can be fitted with other number or type of protections either on windings and bearings. Protection/Auxiliaries are connected in two auxiliary terminal boxes.

The thermal protections on bearings are made in two individual auxiliary terminal boxes located on D.E and N.D.E side as standard configuration.

It is also possible as option to have these protections connected in to a single auxiliary terminal box used for other Protections/Auxiliaries.

■ Earth connection:

All motors are equipped with an earth screw inside of terminal box. A second external earth connection is also provided on motor frame, on foot or on flange, depending on mounting form.

■ Terminal box entries and cable glands:

As standard, the motors are not supplied with cable glands and the number of entry holes and respective dimensions are described on outline dimensions tables. However, considering that the cable entry makes part of the protection enclosure it is recommended that the motors are supplied from factory fitted with cable glands.

For this it is necessary to specify with the order the complete cabling details (number of cables, specification, section and diameters), so that the motors can be supplied from factory fitted with suitable glands.

■ Bearings:

These motor series are equipped on both sides with deep groove ball bearings, pre-loaded by an axial spring washer or springs. Motors frame sizes 450 and 500, 2 pole, are equipped with a 3 bearings arrangement (ball + roller bearings on DE and roller bearing on NDE).

As optional execution, the motors GROUP IIB can be fitted with sleeve bearings.

In the case of pulley/belt drive transmission, the drive end bearing can be replaced by a roller bearing.

On vertical mounting motors, the bearings can be thrust bearing types and are defined according to the axial loads involved on the application.

■ Lubrication:

As standard, the bearings are grease lubricated. For all frames, the motors are equipped with grease relief valves and relubrication nipples.

■ Balancing:

The motors are dynamically balanced with half-key to meet the vibration limits of standard **IEC 60034-14**, grade **A**.

Grade **B** can be provided under request.

On all frames, the D.E. and N.D.E. endshields are designed to fit, under request, optional captors for vibration monitoring detectors or other devices.

Full standard and optional features are detailed on paragraph 2.3.



5.1.2 ELECTRICAL DATA - BFG8 / W22XB / BFGM8 / W22XM SERIES

IIB T4
I (M2)

Flameproof Motors - Ex d IIB T4 (Ex tD A21 IP6X T 135°C)

Flameproof Motors with Increased Safety Terminal Box - Ex de IIB T4 (Ex tD A21 IP6X T 135°C)

High Voltage

												11000 V						
Output KW HP		Frame IEC	T _n (Nm)	I _s /I _n	T _s /T _n	T _{max} /T _n	Inertia J Kgm ²	Allowable locked rotor time Hot/Cold (s)	Weight Kg	Sound dB (A)	rpm min ⁻¹	% of full load						I _n (A)
												Efficiency η			Power Factor Cos φ			
												50	75	100	50	75	100	
II Pole - 3000 min-1																		
355	480	BFG8 450KH (3)	1134	7,0	0,7	3,0	7,6	20	3900	80	2990	96,0	96,5	96,7	0,80	0,85	0,88	21,9
400	540	BFG8 450KH (3)	1278	7,0	0,7	3,0	8,2	20	4200	80	2990	96,0	96,6	96,8	0,82	0,87	0,88	24,6
450	610	BFG8 450KH (3)	1437	7,1	0,7	3,1	8,8	20	4500	80	2991	96,0	96,6	96,8	0,81	0,86	0,88	27,7
500	675	W22XB 500KH (3)																
560	755	W22XB 500KH (3)																
630	850	W22XB 500KH (3)																
710	960	W22XB 500KH (3)																
Available on request																		
IV Pole - 1500 min-1																		
355	480	BFG8 450KH (3)	2274	5,8	0,7	3,2	10,7	20	4100	86	1491	95,5	96,0	96,0	0,73	0,82	0,85	22,8
400	540	BFG8 450KH (3)	2562	6,0	0,8	3,4	11,6	20	4400	86	1491	95,5	96,0	96,0	0,73	0,82	0,85	25,7
450	610	BFG8 450KH (3)	2882	6,0	0,8	3,3	12,3	20	4700	86	1491	95,6	96,0	96,2	0,73	0,82	0,85	28,9
630	850	W22XB 500KH (3)	4024	6,7	1,0	2,8	44,5	20	7850	86	1495	95,0	96,0	96,5	0,82	0,87	0,88	38,9
710	960	W22XB 500KH (3)	4535	6,7	1,0	2,7	49,3	20	8690	86	1495	95,0	96,3	96,7	0,84	0,88	0,89	43,3
800	1080	W22XB 500KH (3)	5110	6,7	1,1	2,7	54,3	20	9550	86	1495	95,4	96,5	97,0	0,84	0,88	0,89	48,6
900	1215	W22XB 500KH (3)	5749	6,8	1,1	2,7	59,3	20	10400	86	1495	95,5	96,5	97,0	0,84	0,88	0,89	54,7
VI Pole - 1000 min-1																		
280	380	BFG8 450KH (3)	2693	5,5	0,8	3,1	11,3	20	4250	78	993	94,0	95,0	95,2	0,60	0,72	0,77	20,0
315	425	BFG8 450KH (3)	3029	5,5	0,8	3,1	11,9	20	4450	78	993	94,0	95,0	95,2	0,62	0,73	0,78	22,3
355	480	BFG8 450KH (3)	3418	5,5	0,8	3,1	13,4	20	5000	78	992	94,2	95,1	95,3	0,64	0,74	0,79	24,7
500	675	W22XB 500KH (3)	4794	6,3	0,9	2,6	56,4	20	8650	80	996	96,5	97,0	97,0	0,71	0,80	0,83	32,6
560	755	W22XB 500KH (3)	5369	6,3	0,9	2,6	59,1	20	9030	80	996	96,5	97,0	97,0	0,81	0,80	0,83	36,5
630	850	W22XB 500KH (3)	6041	6,5	0,9	2,7	64,5	20	9850	80	996	96,5	97,0	97,0	0,81	0,80	0,83	41,1
710	960	W22XB 500KH (3)	6808	6,5	0,9	2,6	70,0	20	10650	80	996	96,5	97,0	97,0	0,81	0,80	0,83	46,3
VIII Pole - 750 min-1																		
200	270	BFG8 450KH (3)	2557	6,5	1,2	3	27,3	20	5200	76	747	93,0	94,4	94,4	0,56	0,68	0,76	14,6
250	340	BFG8 450KH (3)	3196	6,5	1,2	3	31,0	20	5850	76	747	93,0	94,4	94,4	0,56	0,68	0,76	18,3
400	540	W22XB 500KH (3)	5114	5,0	0,6	2,2	80,1	20	8900	80	747	96,3	96,5	96,5	0,73	0,79	0,80	27,2
450	610	W22XB 500KH (3)	5753	5,0	0,6	2,2	87,4	20	9700	80	747	96,3	96,5	96,5	0,73	0,79	0,80	30,6
500	675	W22XB 500KH (3)	6392	5,1	0,7	2,3	96,1	20	10600	80	747	96,3	96,5	96,5	0,73	0,79	0,80	34,0

(1) - Temperature rise class F at full load (2) - Standard motor with sleeve bearings (3) - Copper rotor (4) - Rated current at 690V

T_n = Full load torque I_s / I_n = Locked rotor current T_s / T_n = Locked rotor torque T_{max} / T_n = Breakdown torque I_n = Full load current

Notes: - Motor frame 500, 2 pole 50Hz, available under request.

- The motors can also operate on a 60Hz supply. For motors frames 450 and 500 2 pole, please refer to us.

- To obtain electrical data for 60Hz, please refer to us

- All values are according to IEC 60034-1 tolerances.

- The indicated values for sound pressure levels are @ 1m no load, with 3 dB(A) tolerance.

- This data can be changed without prior notice.

Standard voltage, connection and frequency:
11000V Y 50Hz

5.1.3 ELECTRICAL DATA - BFGC8 / W22XC / BFGM8 / W22XM SERIES

IIC T4
I (M2)

Flameproof Motors - Ex d IIC T4 (Ex tD A21 IP6X T 135°C frames ≥ 250)

Flameproof Motors with Increased Safety Terminal Box - Ex de IIC T4 (Ex tD A21 IP6X T 135°C)

High Voltage

												11000 V						
Output KW HP		Frame IEC	T _n (Nm)	I _s /I _n	T _s /T _n	T _{max} /T _n	Inertia J Kg·m ²	Allowable locked rotor time Hot/Cold (s)	Weight Kg	Sound dB (A)	rpm min ⁻¹	% of full load						I _n (A)
												Efficiency η			Power Factor Cos φ			
												50	75	100	50	75	100	
II Pole - 3000 min-1																		
355	480	BFGC8 450KH (3)	1134	7,0	0,7	3,0	7,6	20	3900	80	2990	96,0	96,5	96,7	0,80	0,85	0,88	21,9
400	540	BFGC8 450KH (3)	1278	7,0	0,7	3,0	8,2	20	4200	80	2990	96,0	96,6	96,8	0,82	0,87	0,88	24,6
450	610	BFGC8 450KH (3)	1437	7,1	0,7	3,1	8,8	20	4500	80	2991	96,0	96,6	96,8	0,81	0,86	0,88	27,7
500	675	W22XC 500KH (3)																
560	755	W22XC 500KH (3)																
630	850	W22XC 500KH (3)																
710	960	W22XC 500KH (3)																
Available on request																		
IV Pole - 1500 min-1																		
355	480	BFGC8 450KH (3)	2274	5,8	0,7	3,2	10,7	20	4100	86	1491	95,5	96,0	96,0	0,73	0,82	0,85	22,8
400	540	BFGC8 450KH (3)	2562	6,0	0,8	3,4	11,6	20	4400	86	1491	95,5	96,0	96,0	0,73	0,82	0,85	25,7
450	610	BFGC8 450KH (3)	2882	6,0	0,8	3,3	12,3	20	4700	86	1491	95,6	96,0	96,2	0,73	0,82	0,85	28,9
630	850	W22XC 500KH (3)	4024	6,7	1,0	2,8	44,5	20	7850	86	1495	95,0	96,0	96,5	0,82	0,87	0,88	38,9
710	960	W22XC 500KH (3)	4535	6,7	1,0	2,7	49,3	20	8690	86	1495	95,0	96,3	96,7	0,84	0,88	0,89	43,3
800	1080	W22XC 500KH (3)	5110	6,7	1,1	2,7	54,3	20	9550	86	1495	95,4	96,5	97,0	0,84	0,88	0,89	48,6
900	1215	W22XC 500KH (3)	5749	6,8	1,1	2,7	59,3	20	10400	86	1495	95,5	96,5	97,0	0,84	0,88	0,89	54,7
VI Pole - 1000 min-1																		
280	380	BFGC8 450KH (3)	2693	5,5	0,8	3,1	11,3	20	4250	78	993	94,0	95,0	95,2	0,60	0,72	0,77	20,0
315	425	BFGC8 450KH (3)	3029	5,5	0,8	3,1	11,9	20	4450	78	993	94,0	95,0	95,2	0,62	0,73	0,78	22,3
355	480	BFGC8 450KH (3)	3418	5,5	0,8	3,1	13,4	20	5000	78	992	94,2	95,1	95,3	0,64	0,74	0,79	24,7
500	675	W22XC 500KH (3)	4794	6,3	0,9	2,6	56,4	20	8650	80	996	96,5	97,0	97,0	0,71	0,80	0,83	32,6
560	755	W22XC 500KH (3)	5369	6,3	0,9	2,6	59,1	20	9030	80	996	96,5	97,0	97,0	0,81	0,80	0,83	36,5
630	850	W22XC 500KH (3)	6041	6,5	0,9	2,7	64,5	20	9850	80	996	96,5	97,0	97,0	0,81	0,80	0,83	41,1
710	960	W22XC 500KH (3)	6808	6,5	0,9	2,6	70,0	20	10650	80	996	96,5	97,0	97,0	0,81	0,80	0,83	46,3
VIII Pole - 750 min-1																		
200	270	BFGC8 450KH (3)	2557	6,5	1,2	3	27,3	20	5200	76	747	93,0	94,4	94,4	0,56	0,68	0,76	14,6
250	340	BFGC8 450KH (3)	3196	6,5	1,2	3	31,0	20	5850	76	747	93,0	94,4	94,4	0,56	0,68	0,76	18,3
400	540	W22XC 500KH (3)	5114	5,0	0,6	2,2	80,1	20	8900	80	747	96,3	96,5	96,5	0,73	0,79	0,80	27,2
450	610	W22XC 500KH (3)	5753	5,0	0,6	2,2	87,4	20	9700	80	747	96,3	96,5	96,5	0,73	0,79	0,80	30,6
500	675	W22XC 500KH (3)	6392	5,1	0,7	2,3	96,1	20	10600	80	747	96,3	96,5	96,5	0,73	0,79	0,80	34,0

(1) - Temperature rise class F at full load (2) - Standard motor with sleeve bearings (3) - Copper rotor (4) - Rated current at 690V

T_n = Full load torque I_s / I_n = Locked rotor current T_s / T_n = Locked rotor torque T_{max} / T_n = Breakdown torque I_n = Full load current

Notes: - Motor frame 500, 2 pole 50Hz, available under request.

- The motors can also operate on a 60Hz supply. For motors frames 450 and 500 2 pole, please refer to us.
- To obtain electrical data for 60Hz, please refer to us
- All values are according to IEC 60034-1 tolerances.
- The indicated values for sound pressure levels are @ 1m no load, with 3 dB(A) tolerance.
- This data can be changed without prior notice.

Standard voltage, connection and frequency:
11000V Y 50Hz

5.1.4 OUTLINE DIMENSIONS - BFG8 / W22XB / BFGM8 / W22XM SERIES

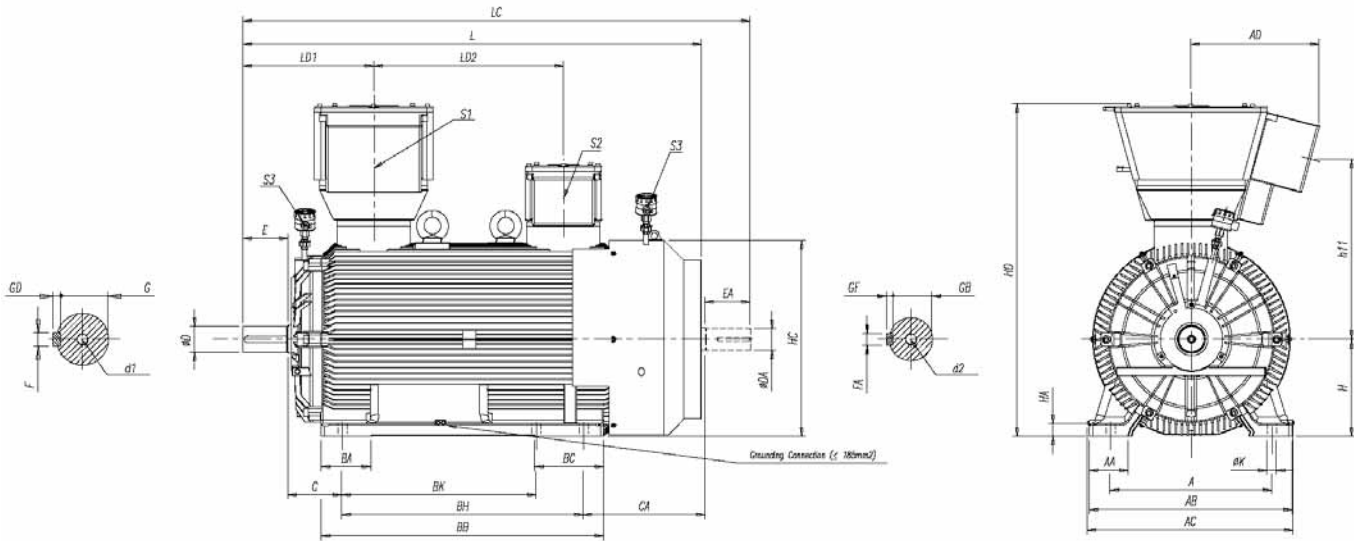
**IIB T4
I (M2)**

Flameproof Motors - Ex d IIB T4 (Ex tD A21 IP6X T 135°C)

Flameproof Motors with Increased Safety Terminal Box - Ex de IIB T4 (Ex tD A21 IP6X T 135°C)

High Voltage

BFG8 450KH IMB3T



Poles	A	AA	AB	AC	AD	BA	BB	BC	BK	BH	C	CA	H	HA	HC	HD	h11	K	L	LC	LD1	LD2
2P	750	180	940	957	594	230	1310	320	900	1120	250	564	450	60	908	1562	853	42	2089	2244	568	880
4P+																			2129	2354	608	

Poles	Shaft dimensions											Bearings		
	D	E	F	G	GD	DA	EA	FA	GB	GF	d1	d2	D,E	N.D.E
2P	85m6	170	22h9	76	14	75	140	20h9	67,5	12	DSM20	DSM20	N218 + 6218C3	N218
4P+	120m6	210	32h9	109	18	100	210	28h9	90	16	DSM24	DSM20	6326C3	6326C3

	Power terminal box - S1	Auxiliary terminal box - S2	Auxiliary terminal box - S3
Pole	CEFGH500	CEFGH340	Pt 100 Bearing Box
2P	I ≤ 200A: 1xM63x1,5	2xM20x1,5	1x1/2" NPT
4P+	200A < I ≤ 400A: 3xM50x1,5		

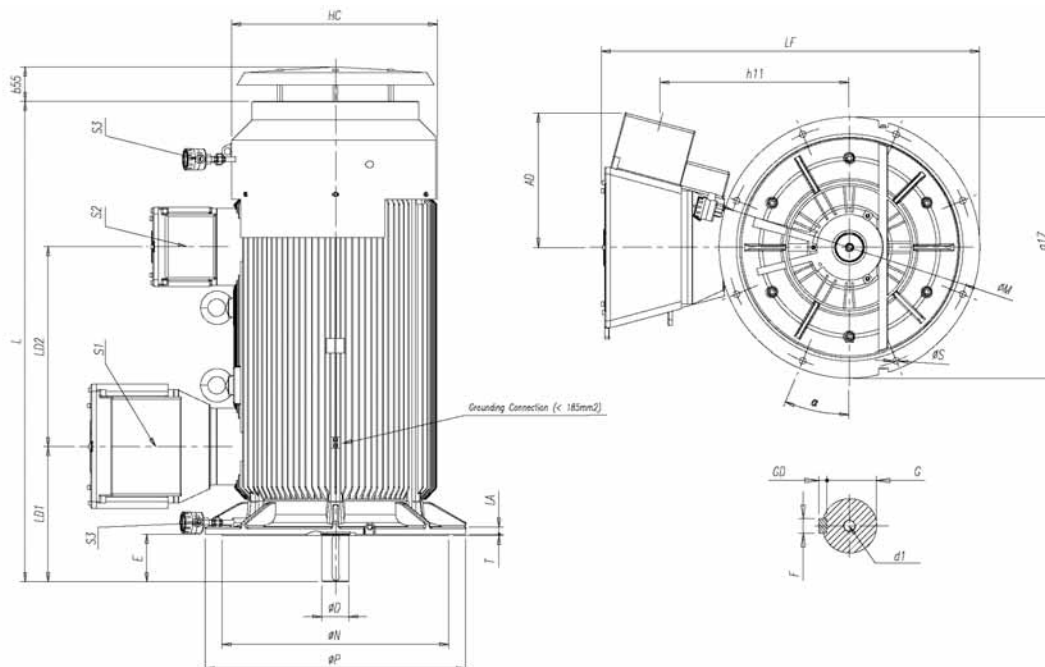
- Notes:
- All the dimensions are in millimeters.
 - Please, do not use these dimensions for construction. Certified drawings under request.
 - External thrust shall be informed at the time of Inquiry/Order.
 - Executions with auxiliary terminal box and second shaft end are optional and available under request.
 - For other special executions please refer to us.
 - The dimensions shown are subject to change without prior notice.

OUTLINE DIMENSIONS

IIB T4
I (M2)

High Voltage

BFG8 450KH IMV1



Poles	AD	HC	h11	L	LA	LD1	LD2	LF	a17	b55	M	N	P	T	S	Nr. Holes	α
4P+	388	908	654	2129	30	608	880	1688	1150	153	1080	1000	1150	6	30	8	22,5°

Pole	AD	HC	h11	L	LA	LD1	LD2	LF	M	N	P	T	a17	S	Nr. Holes	α
4P+	594	908	853	2129	30	608	880	1507	1080	1000	1150	6	1150	30	8	22,5°

	Shaft dimensions					Bearings		Power terminal box - S1	Auxiliary terminal box - S2	Auxiliary terminal box - S3	
Poles	D	E	F	G	GD	d1	D.E	N.D.E	CEFGH 500	CEFGH 340	Pt 100 Bearing Box
4P+	120m6	210	32h9	109	18	DSM24	7326	6326C3	I ≤ 200A : 1xM63x1,5 200A < I ≤ 400A : 3xM50x1,5	2xM20x1,5	1x 1/2" NPT

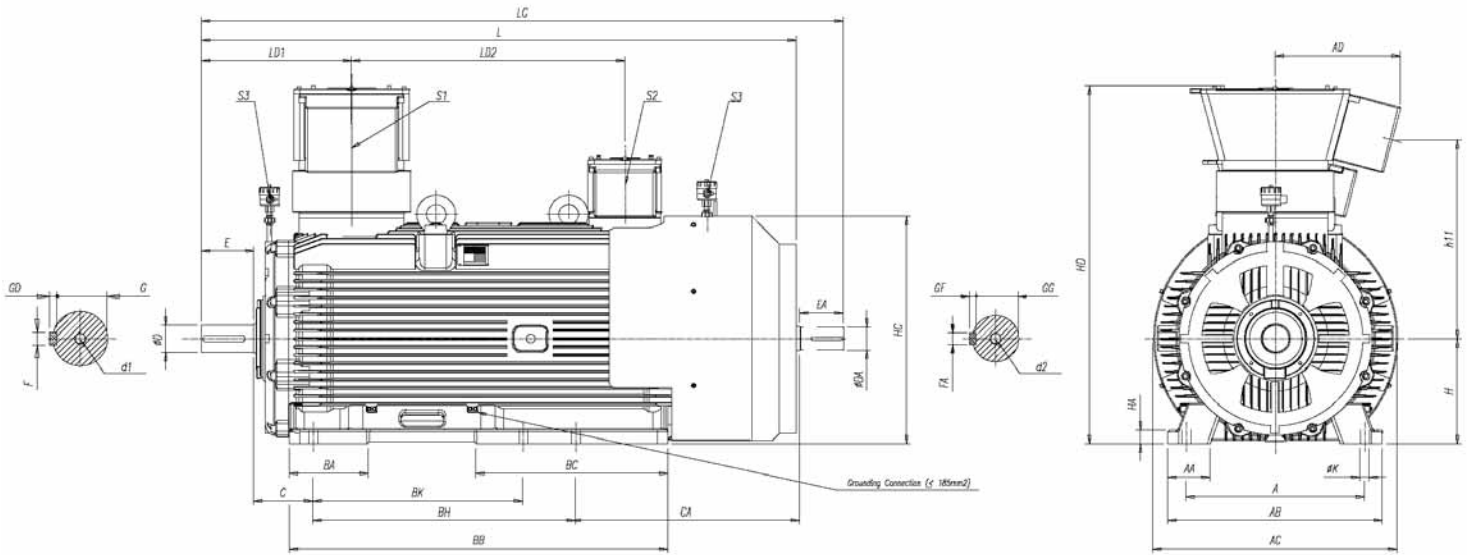
- Notes:
- All the dimensions are in millimeters.
 - Please, do not use these dimensions for construction. Certified drawings under request.
 - External thrust shall be informed at the time of Inquiry/Order.
 - Executions with auxiliary terminal box and second shaft end are optional and available under request.
 - For other special executions please refer to us.
 - The dimensions shown are subject to change without prior notice.

OUTLINE DIMENSIONS

**IIB T4
I (M2)**

High Voltage

W22XB 500KH IMB3T



Poles	A	AA	AB	AC	AD	BA	BB	BC	BK	BH	C	CA	H	HA	HC	HD	h11	K	L	LC	LD1	LD2
2P	850	200	1020	1162	594	375	1800	915	1000	1250	280	1080	500	65	1081	1704	945	42	2750	2905	635	1300
4P+																			2830	3055	715	

Poles	Shaft dimensions											Bearings		
	D	E	F	G	GD	DA	EA	FA	GB	GF	d1	d2	D.E	N.D.E
2P	90m6	170	25	81	14	75	140	20	67,5	12	DSM24	DSM20	NU220C3 + 6020C3	NU220C3
4P+	130m6	250	32	119	18	110	210	28	100	16	DSM24	DSM20	6328C3	6328C3

	Power terminal box - S1	Auxiliary terminal box - S2	Auxiliary terminal box - S3
Poles	CEFGH500	CEFGH340	Pt 100 Bearingbox
2P	I ≤ 200A: 1xM63x1,5	2xM20x1,5	1x1/2" NPT
4P+	200A < I ≤ 400A: 3xM50x1,5		

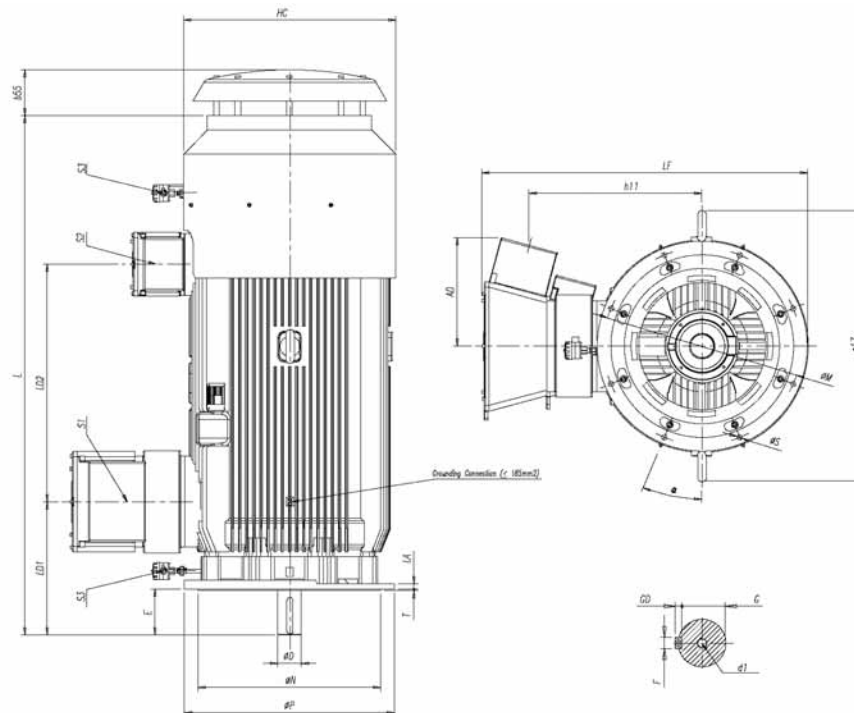
- Notes:
- All the dimensions are in millimeters.
 - Please, do not use these dimensions for construction. Certified drawings under request.
 - External thrust shall be informed at the time of Inquiry/Order.
 - Executions with auxiliary terminal box and second shaft end are optional and available under request.
 - For other special executions please refer to us.
 - The dimensions shown are subject to change without prior notice.

OUTLINE DIMENSIONS

IIB T4
I (M2)

High Voltage

W22XB 500KH IMV1



Poles	AD	HC	h11	L	LA	LD1	LD2	LF	a17	b55	M	N	P	T	S	Nr. Holes	α
4P+	594	1162	945	2830	30	715	1300	1785	1482	250	1080	1000	1150	7	28	8	22,5°

Poles	Shaft dimensions					Bearings		
	D	E	F	G	GD	d1	D.E	N.D.E
4P+	130m6	250	32h9	119	18	DSM24	7328	6328C3

Poles	Power terminal box - S1	Auxiliary terminal box - S2	Auxiliary terminal box - S3
	4P+	CEFGH 500 I _s ≤200A: 1xM63x1,5 200A<I _s ≤400A: 3xM50x1,5	CEFGH 340 2xM20x1,5

- Notes:
- All the dimensions are in millimeters.
 - Please, do not use these dimensions for construction. Certified drawings under request.
 - External thrust shall be informed at the time of Inquiry/Order.
 - Executions with auxiliary terminal box and second shaft end are optional and available under request.
 - For other special executions please refer to us.
 - The dimensions shown are subject to change without prior notice.

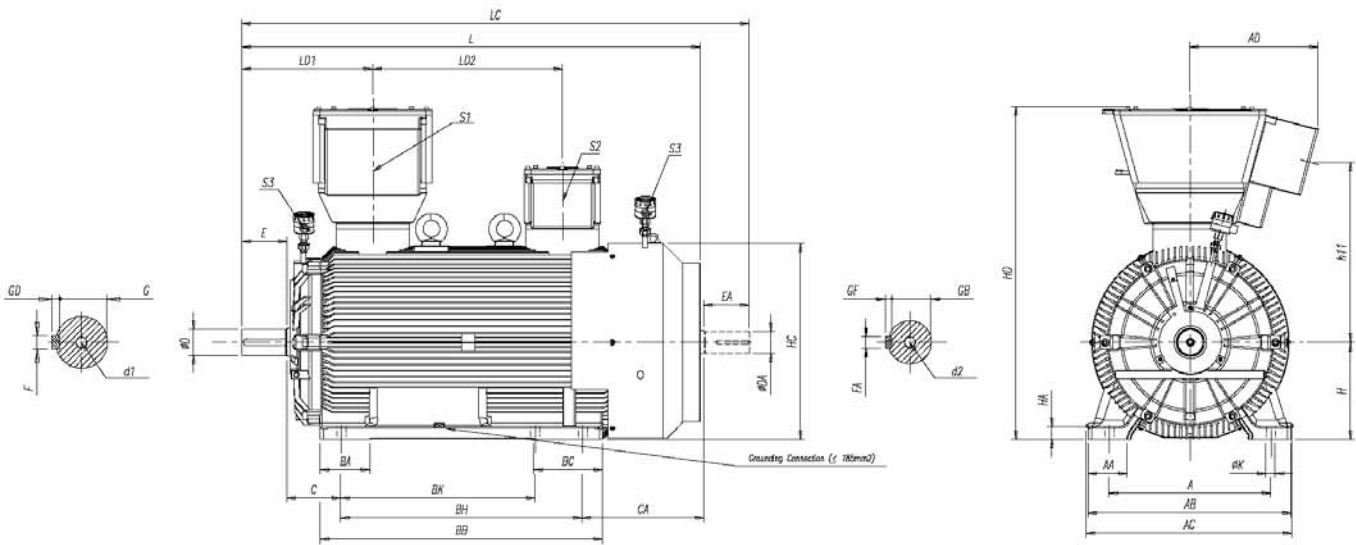
5.1.5 OUTLINE DIMENSIONS - BFGC8 / W22XC / BFGM8 / W22XM SERIES

IIC T4
I (M2)

Flameproof Motors - Ex d IIC T4
Flameproof Motors with Increased Safety Terminal Box - Ex de IIC T4

High Voltage

BFGC8 450KH IMB3T



Poles	A	AA	AB	AC	AD	BA	BB	BC	BK	BH	C	CA	H	HA	HC	HD	h11	K	L	LC	LD1	LD2
2P	750	180	940	957	594	230	1310	320	900	1120	250	564	450	60	908	1562	853	42	2089	2244	568	880
4P+																			2129	2354	608	

Poles	Shaft dimensions											Bearings		
	D	E	F	G	GD	DA	EA	FA	GB	GF	d1	d2	D,E	N.D.E
2P	85m6	170	22h9	76	14	75	140	20h9	67,5	12	DSM20	DSM20	N218C3 + 6218C3	N218
4P+	120m6	210	32h9	109	18	100	210	28h9	90	16	DSM24	DSM20	6326C3	6326C3

	Power terminal box - S1	Auxiliary terminal box - S2	Auxiliary terminal box - S3
Pole	CEFGH500	CEFGH340	Pt 100 Bearing Box
2P	I ≤ 200A: 1xM63x1,5		
4P+	200A < I ≤ 400A: 3xM50x1,5	2xM20x1,5	1x1/2" NPT

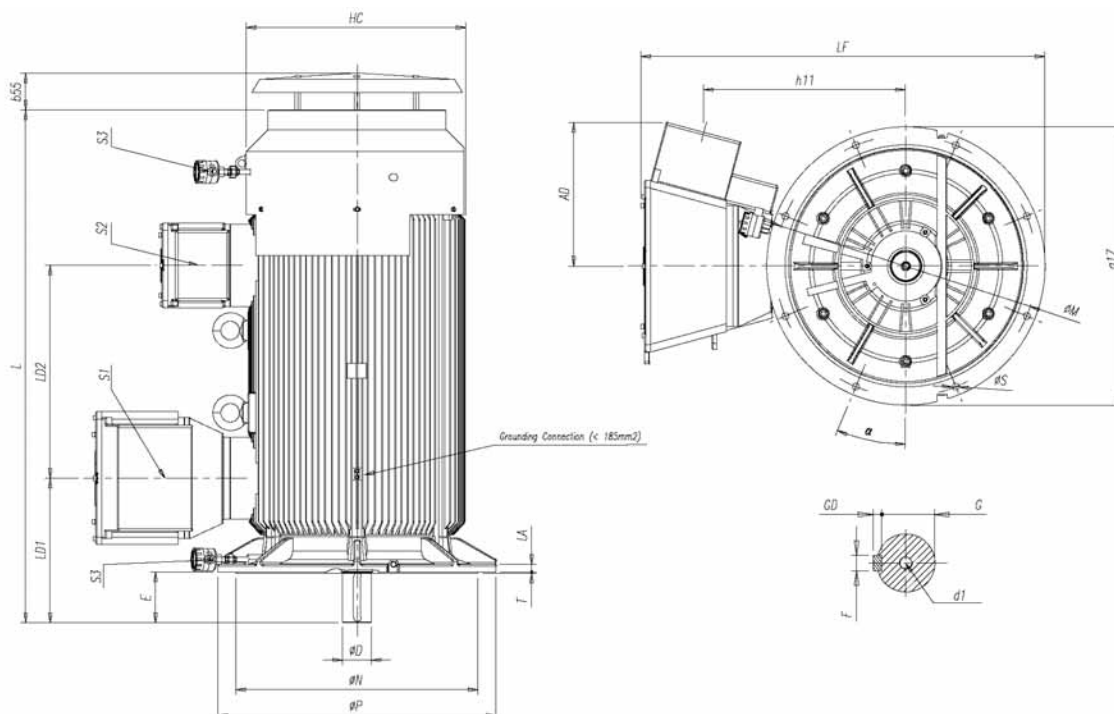
- Notes:
- All the dimensions are in millimeters.
 - Please, do not use these dimensions for construction. Certified drawings under request.
 - External thrust shall be informed at the time of Inquiry/Order.
 - Executions with auxiliary terminal box and second shaft end are optional and available under request.
 - For other special executions please refer to us.
 - The dimensions shown are subject to change without prior notice.

OUTLINE DIMENSIONS

IIC T4
I (M2)

High Voltage

BFGC8 450KH IMV1



Pole	AD	HC	h11	L	LA	LD1	LD2	LF	M	N	P	T	a17	S	Nr. Holes	α
4P+	594	908	853	2129	30	608	880	1688	1080	1000	1150	6	1150	30	8	22,5°

	Shaft dimensions					Bearings		Power terminal box - S1	Auxiliary terminal box - S2	Auxiliary terminal box - S3	
Poles	D	E	F	G	GD	d1	D.E	N.D.E	CEFGH 500	CEFGH 340	Pt 100 Bearing Box
4P+	120m6	210	32h9	109	18	DSM24	7326	6326C3	I ≤ 200A : 1xM63x1,5 200A < I ≤ 400A : 3xM50x1,5	2xM20x1,5	1x 1/2" NPT

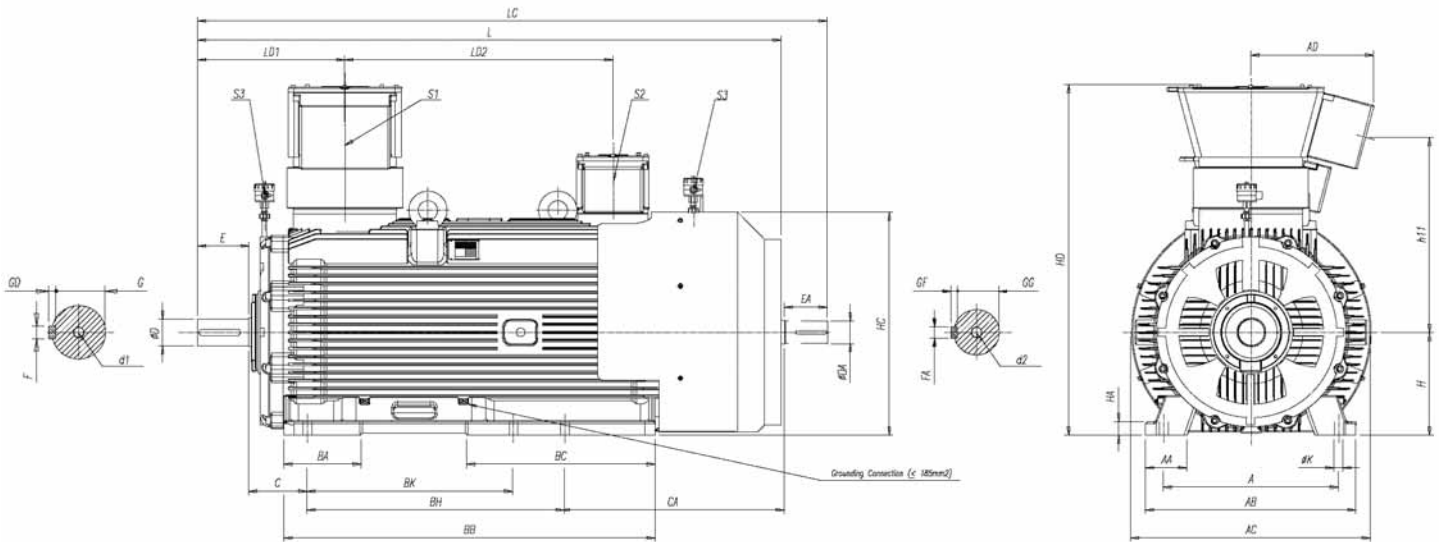
- Notes:
- All the dimensions are in millimeters.
 - Please, do not use these dimensions for construction. Certified drawings under request.
 - External thrust shall be informed at the time of Inquiry/Order.
 - Executions with auxiliary terminal box and second shaft end are optional and available under request.
 - For other special executions please refer to us.
 - The dimensions shown are subject to change without prior notice.

OUTLINE DIMENSIONS

**IIC T4
I (M2)**

High Voltage

W22XC 500KH IMB3T



Poles	A	AA	AB	AC	AD	BA	BB	BC	BK	BH	C	CA	H	HA	HC	HD	h11	K	L	LC	LD1	LD2
2P	850	200	1020	1162	594	375	1800	915	1000	1250	280	1080	500	65	1081	1704	945	42	2750	2905	635	1300
4P+																			2830	3055	715	

Poles	Shaft dimensions											Bearings		
	D	E	F	G	GD	DA	EA	FA	GB	GF	d1	d2	D.E	N.D.E
2P	90m6	170	25	81	14	75	140	20	67,5	12	DSM24	DSM20	NU220C3 + 6020C3	NU220C3
4P+	130m6	250	32	119	18	110	210	28	100	16	DSM24	DSM20	6328C3	6328C3

	Power terminal box - S1	Auxiliary terminal box - S2	Auxiliary terminal box - S3
Poles	CEFGH 500	CEFGH 340	Pt 100 Bearingbox
2P	I ≤ 200A: 1xM63x1,5		
4P+	200A < I ≤ 400A: 3xM50x1,5	2xM20x1,5	1x1/2" NPT

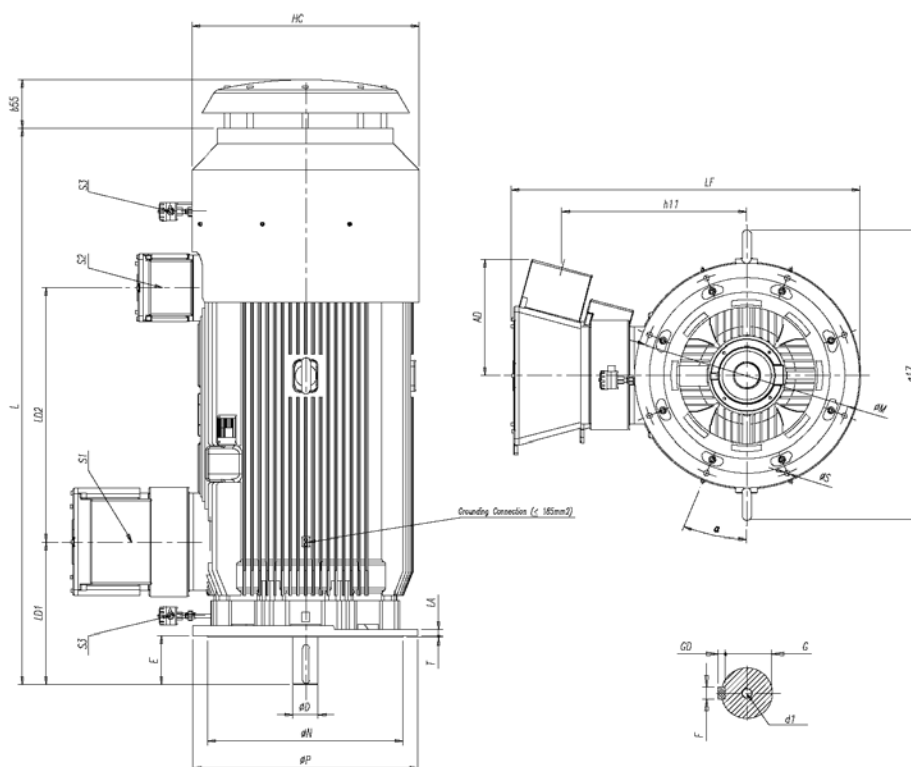
- Notes:
- All the dimensions are in millimeters.
 - Please, do not use these dimensions for construction. Certified drawings under request.
 - External thrust shall be informed at the time of Inquiry/Order.
 - Executions with auxiliary terminal box and second shaft end are optional and available under request.
 - For other special executions please refer to us.
 - The dimensions shown are subject to change without prior notice.

OUTLINE DIMENSIONS

IIC T4
I (M2)

High Voltage

W22XC 500KH IMV1 (IEC)



Poles	AD	HC	h11	L	LA	LD1	LD2	LF	a17	b55	M	N	P	T	S	Nr. Holes	α
4P+	594	1162	945	2830	30	715	1300	1785	1482	250	1080	1000	1150	7	28	8	22,5°

Poles	Shaft dimensions					Bearings		Power terminal box - S1		Auxiliary terminal box - S2		Auxiliary terminal box - S3
	D	E	F	G	GD	d1	D.E	N.D.E	CEFGH 500		CEFGH 340	Pt 100 Bearin Box
4P+	130m6	250	32h9	119	18	DSM24	7328	6328C3	I≤200A: 1xM63x1,5 200A<I≤400A: 3xM50x1,5		2xM20x1,5	1x 1/2" NPT

- Notes:
- All the dimensions are in millimeters.
 - Please, do not use these dimensions for construction. Certified drawings under request.
 - External thrust shall be informed at the time of Inquiry/Order.
 - Executions with auxiliary terminal box and second shaft end are optional and available under request.
 - For other special executions please refer to us.
 - The dimensions shown are subject to change without prior notice.

6. ORDER CHECK LIST

This check list refers the essential information to be transmitted with inquiry/order for Hazardous Area Motor. The max. details provided will help both WEG/COSTUMER to select/supply the corret motor to the application.

6.1 BASIC MOTOR DATA AND FEATURES:

Standards : (Motor construction / Safe & Hazardous areas)

Basic Design:

- Rating: (kW)
- Frequency: (Hz)
- Poles/speed:
- Insulation cl: (F)
- Motor tem. prise: (K)
- Design amb. temp.: (40°C)
- Mounting form IM:
- Paint Scheme/Color:
- Duty: (S1)
- Service factor: (1,0)
- Balancing grade: (A / B)
- Rotation: (CW / CCW - viewed from D.E. side)

Motor Protection Enclosure Ex:

- Zone: (1 / 21 or 2 / 22)
- Motor Ex protection: (Ex d; Ex de; Ex nA)
- Terminal box Ex protection: (Ex d; Ex e; phase segregated; other)
- Hazardous area: (G - Gas; D - Dust; GD - Gas & Dust)
- Gas group:
 - I: (mines)
 - II: (surface) (IIA; IIB; IIC)
- Temp. class: (T1; T2; T3; T4...T6)
- Certification required: (ATEX / IECEx)

Supply terminal box arrangement:

- 2nd power term. box:
 - CTs (current transformers):
 - Neutral point
 - Other:

Auxiliaries & Accessories:

- Protection on windings:
 - Thermistor: (PTC / NTC)
 - PT100:
 - N°/phase:
 - N° wires:
 - Alarm: (°C)
 - Trip: (°C)
 - Auxiliary t. box:
- Protection on bearings:
 - Thermistor: (PTC / NTC)
 - PT100:
 - N°/phase:
 - N° wires:
 - Alarm: (°C)
 - Trip: (°C)
 - Auxiliary t. box:
 - Same t. box of windings protections
 - 2nd aux t. box
 - 2 separate t. boxes (1/endshield)
- A.C. heaters: (V)
 - Individual t. box:

Cable Entry Details:

- Cable entry direction: (RHS; LHS - viewed D.E. side)
- N° of cable entries:
 - Supply t. box:
 - Auxiliary t. boxe(s):
 - Glands thread size(s):
- Supply/Instrumentation cable information:
 - N° cables:
 - Type of cables: (armoured/non armoured)
 - Cables diametre:
 - Ext:
 - Armour:
- Cable glands supplied with motor: (WEG can supply glands acc. to info provided about cables):
 - Cable glands size(s):
 - Cable glands type(s):

6.2 SITE & WORKING CONDITIONS:

Starting:

- Starting method:
 - DOL:
 - VSD: speed range:
 - Soft starter:
 - Starter/Delta:
 - Other:
- Duty (if different from S1):
- Service factor (if different from 1,0):
- N° starts/hour:
 - Cold:
 - Hot:

Coupling:

- Direct:
- Pulley/Belt:
 - Pulleys diam.:
 - N°/Type belts.:
- Gearbox:
 - Gearbox ratio:

Ambient Conditions:

- Ambient temp.: (°C)
- Min. temp.: (°C)
- Max. temp.: (°C)
- Humidity: (%)
- Altitude: (m.a.s.l.)
- Enviroment: (Saline; Alcaline; Marine; Petrochemical; Sulphur (H₂S); Other.....)

Driven Machine Data:

- Driven machine type: (centrifugal fan/pump; reciprocating pump/compressor; blower; mills; cranes; conveyor belt;.....)
- Absorved power: (kW)
- Driven machine torque curve: (Quadratic; constant; other.....)
- Starting torque: (Kg m²)
- Rated torque: (Kg m²)
- Load inertia: (J or PD²)



WEG Worldwide Operations

ARGENTINA

WEG EQUIPAMIENTOS
ELECTRICOS, S.A.
(Headquarters San
Francisco-Cordoba)
Sgo. Pampiglione 4849
Parque Industrial San Francisco
2400 - San Francisco
Phone(s): +54 (3564) 421484
Fax: +54 (3564) 421459
info-ar@weg.net
www.weg.net/ar

AUSTRALIA

WEG AUSTRALIA PTY. LTD.
3 Dalmore Drive
Carribean Park Industrial Estate
Scoresby VIC 3179 - Melbourne
Phone(s): 61 (3) 9765 4600
Fax: 61 (3) 9753 2088
info-au@weg.net
www.weg.net/au

BRAZIL

WEG EQUIPAMENTOS
ELÉTRICOS S.A.
International Division
Av. Prefeito Waldemar Grubba, 300
89256-900 - Jaraguá do Sul - SC
Phone(s): 55 (47) 3276-4002
Fax : 55 (47) 3276-4060
info-br@weg.net
www.weg.net/br

BELGIUM

WEG EUROPE S.A.
Rue de l'Industrie 30 D,
1400 Nivelles
Phone(s): +32 (67) 88-8420
Fax : +32 (67) 84-1748
info-be@weg.net
www.weg.net/be

CHILE

WEG CHILE S.A.
Los Canteros 8600
La Reina - Santiago
Phone(s): (56-2) 784 8900
Fax: (56-2) 784 8950
info-cl@weg.net
www.weg.net/cl

CHINA

WEG (NANTONG) ELECTRIC
MOTOR MANUFACTURING CO., LTD
No. 128 - Xinkai Nan Road,
Nantong Economic and
Technological Development Area
Jiangsu Province, China PC226010
Phone(s): 86 513 8598 9329
Fax: 86 513 8592 1310
info-cn@weg.net
www.weg.net/cn

COLOMBIA

WEG COLOMBIA LTDA
Calle 46A N82 - 54
Portería II - Bodega 7 - San
Cayetano II - Bogotá
Phone(s): (57 1) 416 0166
Fax: (57 1) 416 2077
info-co@weg.net
www.weg.net/co

FRANCE

WEG FRANCE SAS
ZI de Chesnes - Le Loup
13 Rue du Morellon - BP 738
38297 Saint Quentin Fallavier
Phone(s) : +33 (0) 4 74 99 11 35
Fax : +33 (0) 4 74 99 11 44
info-fr@weg.net
www.weg.net/fr

GERMANY

WEG GERMANY GmbH
Alfred-Nobel-Str. 7-9
D-50226 Frechen
Phone(s): +49 (2234) 9 5353-0
Fax: +49 (2234) 9 5353-10
info-de@weg.net
www.weg.net/de

INDIA

WEG ELECTRIC (INDIA) PVT.LTD.
#38, Ground Floor, 1st Main
Road, Lower palace Orchards,
Bangalore - 560 003
Phone(s): +91-80-4128 2007
+91-80-4128 2006
Fax: +91-80-2336 7624
info-in@weg.net
www.weg.net/in

ITALY

WEG ITALIA S.R.L.
V.le Brianza 20 - 20092- Cinisello
Balsamo - Milano
Phone(s): (39) 02 6129-3535
Fax: (39) 02 6601-3738
Info-it@weg.net
www.weg.net/it

JAPAN

WEG ELECTRIC MOTORS
JAPAN CO., LTD
Matsumoto Bldg. 2F, 3-23-7
Kamata, Ohta-ku,
Tokyo, Japan 144-0052
Phone(s): (81) 3 3736-2998
Fax: (81) 3 3736-2995
info-jp@weg.net
www.weg.net/jp

MEXICO

WEG MEXICO, S.A. DE C.V.
Carretera Jorobas-Tula Km. 3.5,
Manzana 5, Lote 1
Fraccionamiento Parque
Industrial - Huehuetoca,
Estado do México - C.P. 54680
Phone(s): +52 (55) 5321 4275
Fax: +52 (55) 5321 4262
info-mx@weg.net
www.weg.net/mx

NETHERLANDS

WEG NETHERLANDS
Sales Office of
WEG Europe S.A.
Keulenstraat 4E
7418 ET Deventer
Phone(s): +31 (0) 570-620550
Fax: +31 (0) 570-620560
info-nl@weg.net
www.weg.net/nl

PORTUGAL

WEGEURO - INDÚSTRIA
ELÉTRICA, S.A.
Rua Eng. Frederico Ulrich
Apartado 6074
4476-908 Maia
Phone(s): +351 229 477 700
Fax: +351 229 477 792
info-pt@weg.net
www.weg.net/pt

RUSSIA

WEG RUSSIA
Pochainskaya Str. 17
Nizhny Novgorod
603001 - Russia
Phone(s): +7-831-2780425
Fax: +7-831-2780424
info-ru@weg.net
www.weg.net/ru

SPAIN

WEG IBERIA S.L.
Avenida de la Industria, 25
28823 Coslada - Madrid
Phone(s): (34) 916 553 008
Fax: (34) 916 553 058
info-es@weg.net
www.weg.net/es

SINGAPORE

WEG SINGAPORE PTE LTD
159, Kampong Ampat,
#06-02A KA PLACE
Singapore 368328
Phone(s): +65 6858 9081
Fax: +65 6858 1081
info-sg@weg.net
www.weg.net/sg

SWEDEN

WEG SCANDINAVIA AB
Box 10196
Verkstadgatan 9
434 22 Kungsbacka
Phone(s): (46) 300 73400
Fax: (46) 300 70264
info-se@weg.net
www.weg.net/se

UK

WEG ELECTRIC
MOTORS (U.K.) LTD.
28/29 Walkers Road
Manorside Industrial Estate
North Moons Moat - Redditch
Worcestershire B98 9HE
Phone(s): 44 (0) 1527 596-748
Fax: 44 (0) 1527 591-133
info-uk@weg.net
www.weg.net/uk

UNITED ARAB EMIRATES

WEG MIDDLE EAST FZE
JAFZA - JEBEL ALI FREE ZONE
Tower 18, 19th Floor,
Office LB181905
Dubai - United Arab Emirates
info-ae@weg.net
www.weg.net/ae

USA

WEG ELECTRIC CORP.
1327 Northbrook Parkway,
Suite 490
Suwanee 30024
Phone(s): 1-770-338-5656
Fax: 1-770-338-1632
info-us@weg.net
www.weg.net/us

VENEZUELA

WEG INDUSTRIAS
VENEZUELA C.A.
Parcela T-4-A Transversal 9 Urb.
Industrial Carabobo Catastral
79-101 Edf. ELIMECA Loc.
ELIMECA, Zona Postal 2003,
Valencia, Edo. Carabobo
Phone(s) : (58) 241 838 9239
Fax: (58) 241 838 9239
info-ve@weg.net
www.weg.net/ve



WEGEURO - INDÚSTRIA ELÉTRICA, S.A.
Rua Eng. Frederico Ulrich | Apartado 6074
4476-908 Maia - Portugal
Phone(s): +351 229 477 705
Fax: +351 229 477 792
info-pt@weg.net
www.weg.net