

# W80 AXgen

## Industrial Motors

Commercial &  
Appliance Motors

Automation

Digital &  
Systems

Energy

Transmission &  
Distribution

Coatings

Axial Flux Motor  
**NEMA Market**



Driving efficiency and sustainability





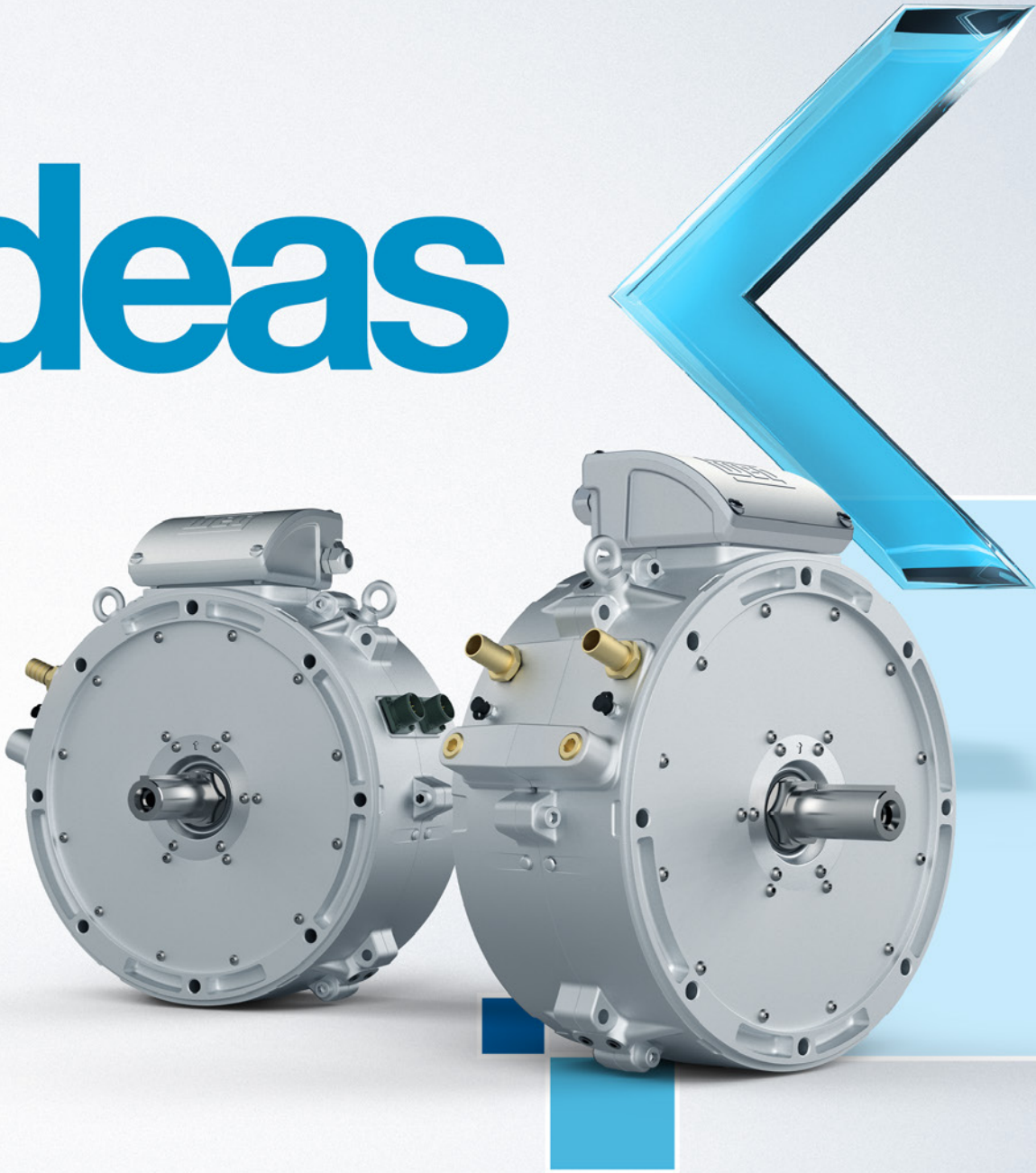
Motors for  
**new**

# **W80 AXgen**

Axial Flux Technology

The **W80 AXgen** is a motor that enables OEM partners to push forward with their own new ideas. Compact in design, big in possibilities, this solution allows for downsizing, reducing logistical costs and helping to avoid CO<sub>2</sub> emissions across the entire production chain. A solution designed to create opportunities for today's challenges and those that are yet to come.

# ideas



Driving efficiency and sustainability



# Be part of the **new ideas** that will change the **industry tomorrow**

## Electrical data

Frame	Speed range [rpm]		Torque [ft.lb]
	Lower	Higher	
250 CHY	1,500	7,500	24
280 CHY	1,500	5,800	91
320 CHY	1,500	5,200	195
360 CHY	1,500	4,700	325
400 CHY	1,500	3,700	503

Note: for speeds outside the indicated range, please contact WEG.

### All designs are suitable for operation at:

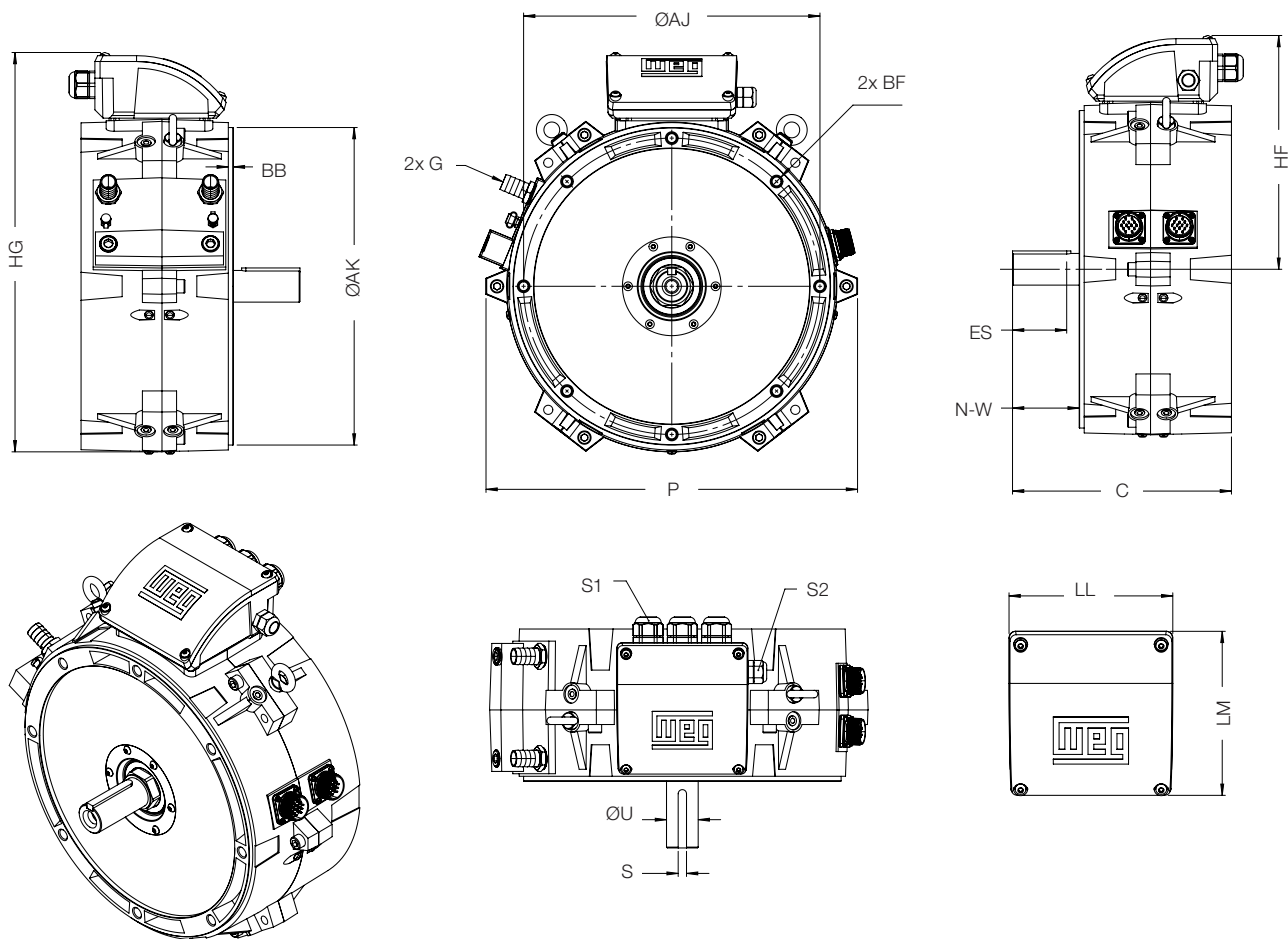
- Constant torque range = 1000:1
- Constant power range = 1.3x nominal speed

IE5 - NEMA SF 1.15						
Frame	Power [HP]	Speed [rpm]	Voltage [V]	Current [A]	Efficiency [%]	Mass [lb]
250 CHY	10	3600	460	10,7	93,3%	55,5
280 CHY	50	3600	460	54,1	95,2%	94,1
320 CHY	100	3600	460	109,2	96,0%	138,1
360 CHY	150	3600	460	165,1	96,9%	187,9
400 CHY	250	3600	460	274,5	97,1%	298,3
250 CHY	7,5	1800	460	8,2	93,7%	55,5
280 CHY	25	1800	460	28,9	95,6%	94,1
320 CHY	75	1800	460	77,9	96,6%	138,1
360 CHY	100	1800	460	111,7	96,9%	187,9
400 CHY	125	1800	460	128,5	96,9%	298,3

Note: 300 HP available on frame 400 with SF 1.00 and water flow of 3.3 gpm.

# Mechanical data

Overall dimensions - NEMA [in]																				
Size	External				Flange				Shaft				Cooling	Terminal box				Bearings		
	P	HF	HG	C	AK	AJ	BB	BF	U	N-W	ES	S	G	LL	LM	S1 (NPT)	S2 (NPT)	DE	NDE	
250 CHY	11,97	8,03	13,27	7,19	10,00	9,25	0,20	5/16	0,625	1,875	1,410	0,187	1/2	4,72	4,72	3/8	3/8	7206	7206	
280 CHY	14,29	9,09	15,43	8,42	12,00	11,00	0,20	3/8	1,125	2,750	1,969	0,250	1/2	4,72	4,72	1/2	3/8	7208	7208	
320 CHY	15,55	10,16	17,11	9,91	13,25	12,25	0,20	3/8	1,375	3,375	2,480	0,313	5/8	6,10	6,10	3/4	1/2	7209	7209	
360 CHY	17,56	8,21	18,83	10,52	15,00	14,00	0,24	1/2	1,625	3,250	2,480	0,375	3/4	6,10	6,10	3/4	1/2	7210	7210	
400 CHY	21,46	13,44	23,02	11,33	18,50	17,00	0,24	5/8	1,875	3,750	2,756	0,500	3/4	7,01	7,01	1	3/4	7212	7212	



## Cooling system

- Fluid: water (fresh, deionized...) and oil (ISO VG up to 46).
- Flow rate: from 1.32 to 4 gpm
- Inlet pressure: up to 145 psi

The W80 AXgen is recommended for OEMs.



Compact  
de

Motors for  
new ideas.

# W80 AXgen

Axial Flux Technology

Welcome to a compact way of thinking big. The **W80 AXgen** is designed to enable OEM partners to explore new ideas for their products. Developed by WEG, this solution offers ease of application and a high degree of scalability, creating opportunities for today's challenges and those that are yet to come.

# sign



Driving efficiency and sustainability



The scope of WEG Group solutions is not limited to products and solutions presented in this catalogue.


**To see our portfolio, contact us.**

**For WEG's worldwide operations visit our website**



**[www.weg.net](http://www.weg.net)**



 +55 47 3276.4000

 [motores@weg.net](mailto:motores@weg.net)

 Jaraguá do Sul - SC - Brazil

Cod: 50143348 | Rev: 01 | Date (m/y): 02/2025.

The values shown are subject to change without prior notice.

The information contained is reference values.