

MSW DISCONNECT SWITCHES

Motors
Automation
Energy
Transmission and
Distribution
Coatings



Driving efficiency and sustainability

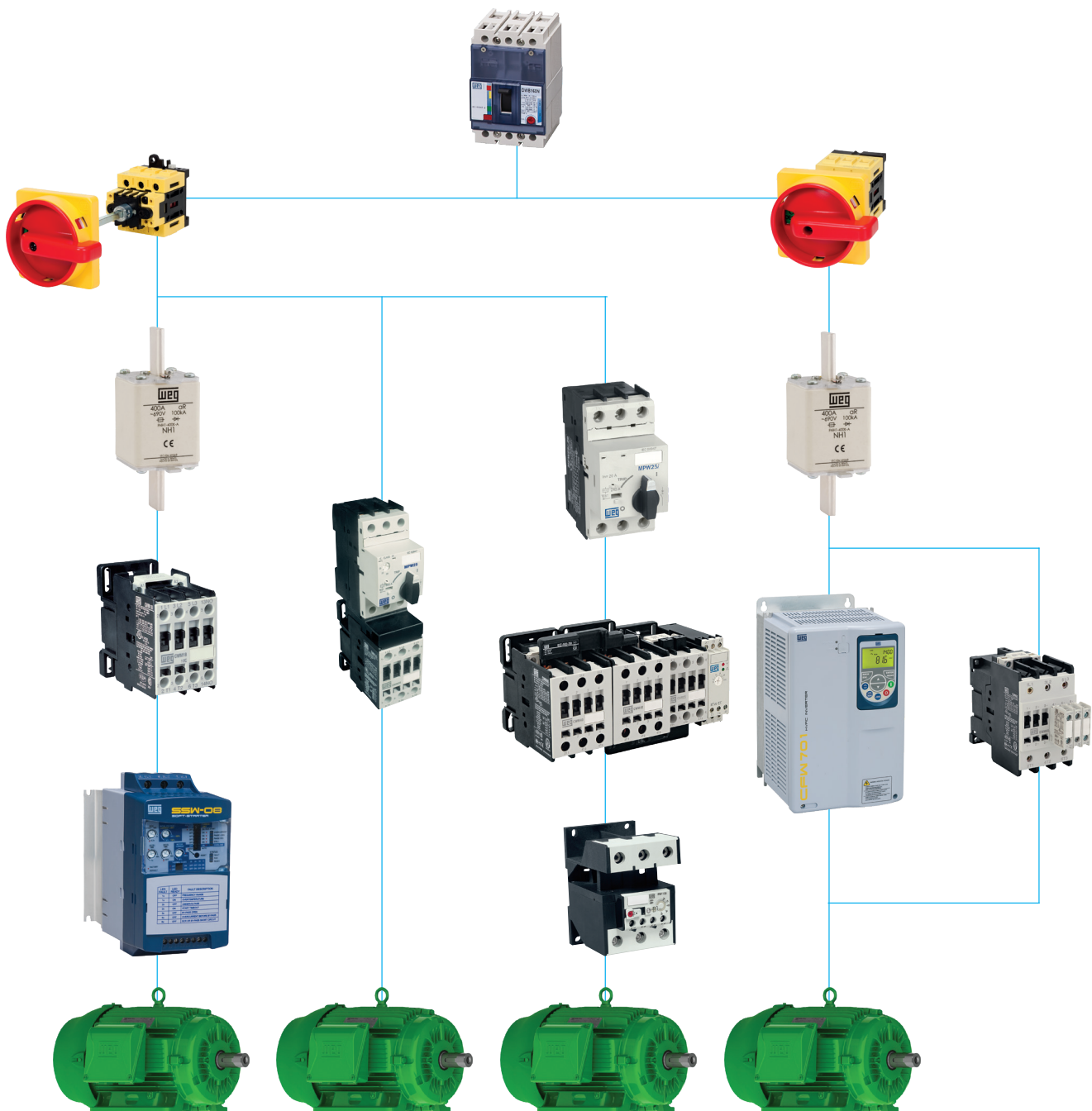




Disconnect Switches

The MSW Disconnect Switches were developed according to IEC 60947-3/UL 508, and enable the manual drive of motors, machines and other equipment. Besides carrying and interrupting electric currents under normal or overload conditions, the design of the MSW Disconnect Switches provides complete physical insulation between the circuit and the power supply when in the OFF position. In this position, it is possible to use three padlocks in order to prevent inadvertent actuation, increasing the safety of operators and maintenance personnel.

The MSW Disconnect Switches are CE and UL certified, and can be used as the supply disconnecting device, meeting the requirements of IEC 60204-1, and as the emergency switching off device.



How to Select a MSW Disconnect Switch for your Application



The MSW line presents a series of accessories and configurations. WEG offers the full set with a standard configuration. The customer can select the Disconnect Switches and accessories according to the requirements of each application. Below are described the four steps necessary for the proper selection of the MSW Disconnect Switch.

1 - Mounting

The MSW Disconnect Switches are mounted on panel doors or bases according to the selected model.

- **Mounting on door:** in this system, the Disconnect Switch is mounted on panel doors by means of screws. The Disconnect Switch and the handle are always coupled.
- **Mounting on base:** the Disconnect Switch is mounted on a base, like panel plates, by screws or DIN rail. There is a shaft to couple the Disconnect Switch to the handle. The uncoupling of the Disconnect Switch and of the handle is only possible when the Disconnect Switch is in the OFF position.

The user must define the Disconnect Switch considering the wiring, access, simple mounting or any other criteria which may be deemed necessary.

2 - Current

The Disconnect Switch must present a rated current capacity equal to or above the rated current of the circuit/load.

The MSW Disconnect Switches stand currents (Ith) up to 160 A for base mounting and up to 100 A for door mounting, according to the selected model. In order to select the Disconnect Switch, some currents are presented in the references according to the load characteristics. Other current values are presented in the table of technical data (page 8).

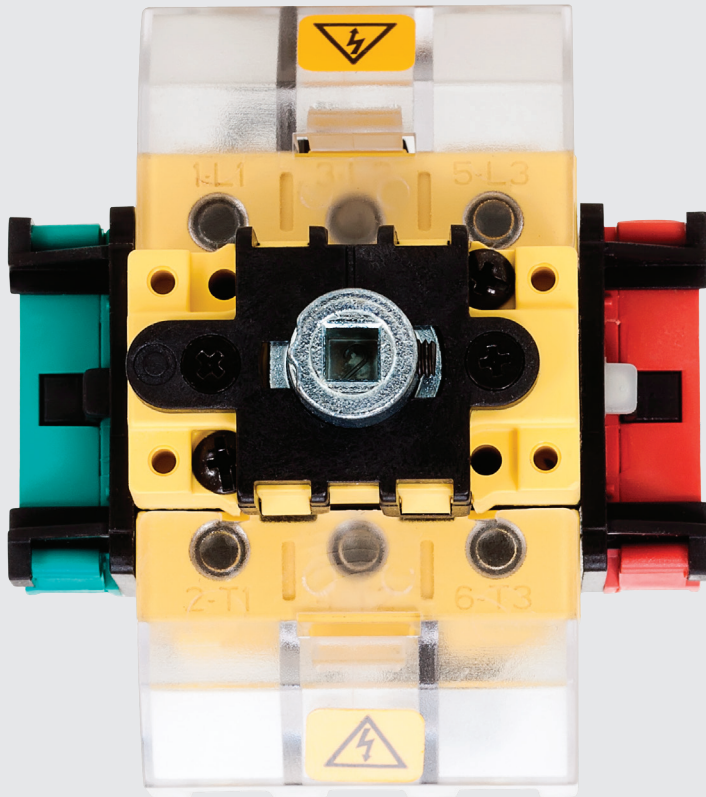
3 - Handle and Shaft

The handles of the MSW Disconnect Switches, developed with IP65 degree of protection, allow the use of up to three padlocks when in the OFF position, ensuring safety during maintenance. The handles of the MSW line are available in the colors red/yellow and black/gray.

For Disconnect Switches with base mounting, besides the handle, it is necessary to use a shaft. The shaft must have a length equal to or longer than the distance between the Disconnect Switch and the handle.

With those characteristics, it is possible to define a standard Disconnect Switch, but WEG offers other accessories that may be required for each application.





Disconnect Switch with 2 auxiliary contacts and 2 terminal covers.

Accessories

Neutral Pole

For applications that require neutral disconnection the MSW line has an additional pole with early make contact, that can be assembled on the side of the Disconnect Switch.

Auxiliary Contacts

The MSW line provides auxiliary contacts for mounting on the sides of the Disconnect Switch. On each side of the Disconnect Switch, it is possible to mount an auxiliary contact, or a neutral pole, as shown in the figure on the left.

Terminal Cover

Aiming at enhancing the safety of machinery and equipment, the MSW line provides terminal covers that reduce the risk of inadvertent contact with the terminals. The terminal covers must cover all the poles with live conductors.

Overview

| Mounting | Current (A) | Handle | | Shaft (mm) | | | Neutral pole | Auxiliary contact | | | Terminal cover |
|------------|-------------|------------|------------|------------|-----|-----|--------------|-------------------|-----|------|----------------|
| | | Red/yellow | Black/gray | 85 | 185 | 300 | | 1NO | 1NC | 1NOC | |
| Panel door | 32 | ● | ■ | | | | ■ | ■ | ■ | | ■ |
| | 40 | ● | ■ | | | | ■ | ■ | ■ | | ■ |
| | 63 | ● | ■ | | | | ■ | ■ | ■ | | ■ |
| | 80 | ● | ■ | | | | ■ | ■ | ■ | | ■ |
| | 100 | ● | | | | | | | | | ■ |
| Base | 32 | ● | ■ | ◆ | ■ | ■ | ■ | ■ | ■ | | ■ |
| | 40 | ● | ■ | ◆ | ■ | ■ | ■ | ■ | ■ | | ■ |
| | 63 | ● | ■ | ◆ | ■ | ■ | ■ | ■ | ■ | | ■ |
| | 80 | ● | ■ | ◆ | ■ | ■ | ■ | ■ | ■ | | ■ |
| | 125 | ● | | | ■ | ● | | | | ■ | ■ |
| | 160 | ● | | | ■ | ● | | | | ■ | ■ |

Notes: ◆ - Only available as part of the standard configuration.

● - Available as part of the standard configuration or it can be supplied separately.

■ - Only available to be supplied separately.

Disconnect Switches for Panel Door Mounting

Standard Configuration (Disconnect Switch + Handle Red/Yellow)

| Type | Ith (A) | Ie (A) | | | Poles | List Price | Multiplier |
|---------------|---------|--------------|--------------|--------------|-------|--------------|------------|
| | | AC21 (690 V) | AC22 (690 V) | AC23 (690 V) | | | |
| MSW 25 P-3 H | 32 | 32 | 25 | 16 | 3 | \$80 | Z13 |
| MSW 40 P-3 H | 40 | 40 | 32 | 20 | 3 | \$85 | Z13 |
| MSW 63 P-3 H | 63 | 63 | 63 | 26 | 3 | \$137 | Z13 |
| MSW 80 P-3 H | 80 | 80 | 80 | 32 | 3 | \$148 | Z13 |
| MSW 100 P-3 H | 100 | 100 | 86 | 38 | 3 | \$185 | Z13 |



Disconnect Switches and Accessories

Disconnect Switch

| Type | Ith (A) | Ie (A) | | | Poles | List Price | Multiplier |
|-------------|---------|--------------|--------------|--------------|-------|--------------|------------|
| | | AC21 (690 V) | AC22 (690 V) | AC23 (690 V) | | | |
| MSW 25 P-3 | 32 | 32 | 25 | 16 | 3 | \$53 | Z13 |
| MSW 40 P-3 | 40 | 40 | 32 | 20 | 3 | \$58 | Z13 |
| MSW 63 P-3 | 63 | 63 | 63 | 26 | 3 | \$110 | Z13 |
| MSW 80 P-3 | 80 | 80 | 80 | 32 | 3 | \$122 | Z13 |
| MSW 100 P-3 | 100 | 100 | 86 | 38 | 3 | \$158 | Z13 |



Rotary Handle

| Type | Disconnect Switch | Color | List Price | Multiplier |
|---------------|--------------------|------------|-------------|------------|
| MSW H 40 P | MSW25/MSW40 | Red/Yellow | \$27 | Z13 |
| MSW H 100 P | MSW63/MSW80/MSW100 | Red/Yellow | \$30 | Z13 |
| MSW H 40-P-B | MSW25/MSW40 | Black/Gray | \$27 | Z13 |
| MSW H 100-P-B | MSW63/MSW80/MSW100 | Black/Gray | \$30 | Z13 |



Neutral Pole

| Type | Disconnect Switch | Contact | List Price | Multiplier |
|------------------|-------------------|-----------------|----------------|------------|
| MSW AP 25-P-1 NA | MSW25 | 1 NO early make | \$42.00 | Z13 |
| MSW AP 40-P-1 NA | MSW40 | 1 NO early make | \$42.00 | Z13 |
| MSW AP 63-P-1 NA | MSW63 | 1 NO early make | \$49.00 | Z13 |
| MSW AP 80-P-1 NA | MSW80 | 1 NO early make | \$49.00 | Z13 |



Auxiliary Contact

| Type | Disconnect Switch | Contact | List Price | Multiplier |
|-----------------|-------------------|---------|----------------|------------|
| MSW AC-40 P 1NC | MSW25/MSW40 | 1NC | \$35.00 | Z13 |
| MSW AC-40 P 1NO | MSW25/MSW40 | 1NO | \$35.00 | Z13 |
| MSW AC-80 P 1NC | MSW63/MSW80 | 1NC | \$37.00 | Z13 |
| MSW AC-80 P 1NO | MSW63/MSW80 | 1NO | \$37.00 | Z13 |



Terminal Cover

| Type | Disconnect Switch | Poles | List Price | Multiplier |
|----------------------------|-------------------|-------|----------------|------------|
| MSW TS-40 P | MSW25/MSW40 | 3 | \$14.00 | Z13 |
| MSW TS-80 B/P | MSW63/MSW80 | 3 | \$28.00 | Z13 |
| MSW TS-100 P ¹⁾ | MSW100 | 2 | \$70.00 | Z13 |



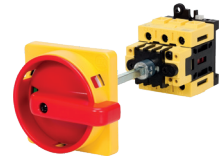
Note: 1) Necessary 2 pieces of MSW TS-100P to cover 3 poles.
Terminal cover to line or load side (1 piece supplied).



Disconnect Switch for Base Mounting (Screw or Din Rail)

Standard Configuration (Disconnect Switch + Handle Red/Yellow + Shaft)

| Type | Ith (A) | Ie (A) | | | Shaft length (mm) | Poles | List Price | Multiplier |
|---------------|---------|--------------|--------------|--------------|-------------------|-------|------------|------------|
| | | AC21 (690 V) | AC22 (690 V) | AC23 (690 V) | | | | |
| MSW 25 B-3 H | 32 | 32 | 25 | 16 | 85 | 3 | \$96.00 | Z13 |
| MSW 40 B-3 H | 40 | 40 | 32 | 20 | 85 | 3 | \$102.00 | Z13 |
| MSW 63 B-3 H | 63 | 63 | 63 | 26 | 85 | 3 | \$156.00 | Z13 |
| MSW 80 B-3 H | 80 | 80 | 80 | 32 | 85 | 3 | \$167.00 | Z13 |
| MSW 125 B-3 H | 125 | 125 | 125 | 80 | 300 | 3 | \$352.00 | Z13 |
| MSW 160 B-3 H | 160 | 160 | 160 | 100 | 300 | 3 | \$443.00 | Z13 |



Disconnect Switches and Accessories

| Type | Ith (A) | Ie (A) | | | Poles | List Price | Multiplier |
|-------------|---------|--------------|--------------|--------------|-------|------------|------------|
| | | AC21 (690 V) | AC22 (690 V) | AC23 (690 V) | | | |
| MSW 25 B-3 | 32 | 32 | 25 | 16 | 3 | \$53.00 | Z13 |
| MSW 40 B-3 | 40 | 40 | 32 | 20 | 3 | \$59.00 | Z13 |
| MSW 63 B-3 | 63 | 63 | 63 | 26 | 3 | \$112.00 | Z13 |
| MSW 80 B-3 | 80 | 80 | 80 | 32 | 3 | \$124.00 | Z13 |
| MSW 125 B-3 | 125 | 125 | 125 | 80 | 3 | \$286.00 | Z13 |
| MSW 160 B-3 | 160 | 160 | 160 | 100 | 3 | \$376.00 | Z13 |



Rotary Handle + Shaft

| Type | Disconnect Switch | Color | Shaft (mm) | List Price | Multiplier Symbol |
|--------------|-------------------|------------|------------|------------|-------------------|
| MSW H 40 B | MSW25/MSW40 | Red/Yellow | 85 | \$42.00 | Z13 |
| MSW H 80 B | MSW63/MSW80 | Red/Yellow | 85 | \$45.00 | Z13 |
| MSW H 160 B | MSW125/MSW160 | Red/Yellow | 300 | \$65.00 | Z13 |
| MSW H 40-B-B | MSW25/MSW40 | Black/Gray | 85 | \$42.00 | Z13 |
| MSW H 80-B-B | MSW63/MSW80 | Black/Gray | 85 | \$45.00 | Z13 |



Shaft

| Type | Disconnect Switch | Length (mm) | List Price | Multiplier |
|----------------|-------------------------------|-------------|------------|------------|
| MSW HS 185-40 | MSW25/MSW40 | 185 | \$12.00 | Z13 |
| MSW HS 300-40 | MSW25/MSW40 | 300 | \$17.00 | Z13 |
| MSW HS 185-160 | MSW63/MSW80/ MSW125/MSW160 | 185 | \$20.00 | Z13 |
| MSW HS 300-160 | MSW63/MSW80/ MSW125/MSW160 | 300 | \$26.00 | Z13 |



Neutral Pole

| Type | Disconnect Switch | Contact | List Price | Multiplier |
|------------------|-------------------|-----------------|------------|------------|
| MSW AP 25-B-1 NA | MSW25 | 1 NO early make | \$42.00 | Z13 |
| MSW AP 40-B-1 NA | MSW40 | 1 NO early make | \$42.00 | Z13 |
| MSW AP 63-B-1 NA | MSW63 | 1 NO early make | \$49.00 | Z13 |
| MSW AP 80-B-1 NA | MSW80 | 1 NO early make | \$49.00 | Z13 |



Auxiliary Contact

| Type | Disconnect Switch | Contact | List Price | Multiplier |
|-------------------|-------------------|---------|------------|------------|
| MSW AC-40 B 1NC | MSW25/MSW40 | 1NC | \$35.00 | Z13 |
| MSW AC-40 B 1NO | MSW25/MSW40 | 1NO | \$35.00 | Z13 |
| MSW AC-80 B 1NC | MSW63/MSW80 | 1NC | \$37.00 | Z13 |
| MSW AC-80 B 1NO | MSW63/MSW80 | 1NO | \$37.00 | Z13 |
| MSW AC-160 B 1NOC | MSW125/MSW160 | 1NOC | \$70.00 | Z13 |



Terminal Cover

| Type | Disconnect Switch | Poles | List Price | Multiplier |
|---------------|-------------------|-------|------------|------------|
| MSW TS-40 B | MSW25/MSW40 | 3 | \$16.00 | Z13 |
| MSW TS-80 B/P | MSW63/MSW80 | 3 | \$32.00 | Z13 |
| MSW TS-160 B | MSW125/MSW160 | 3 | \$78.00 | Z13 |



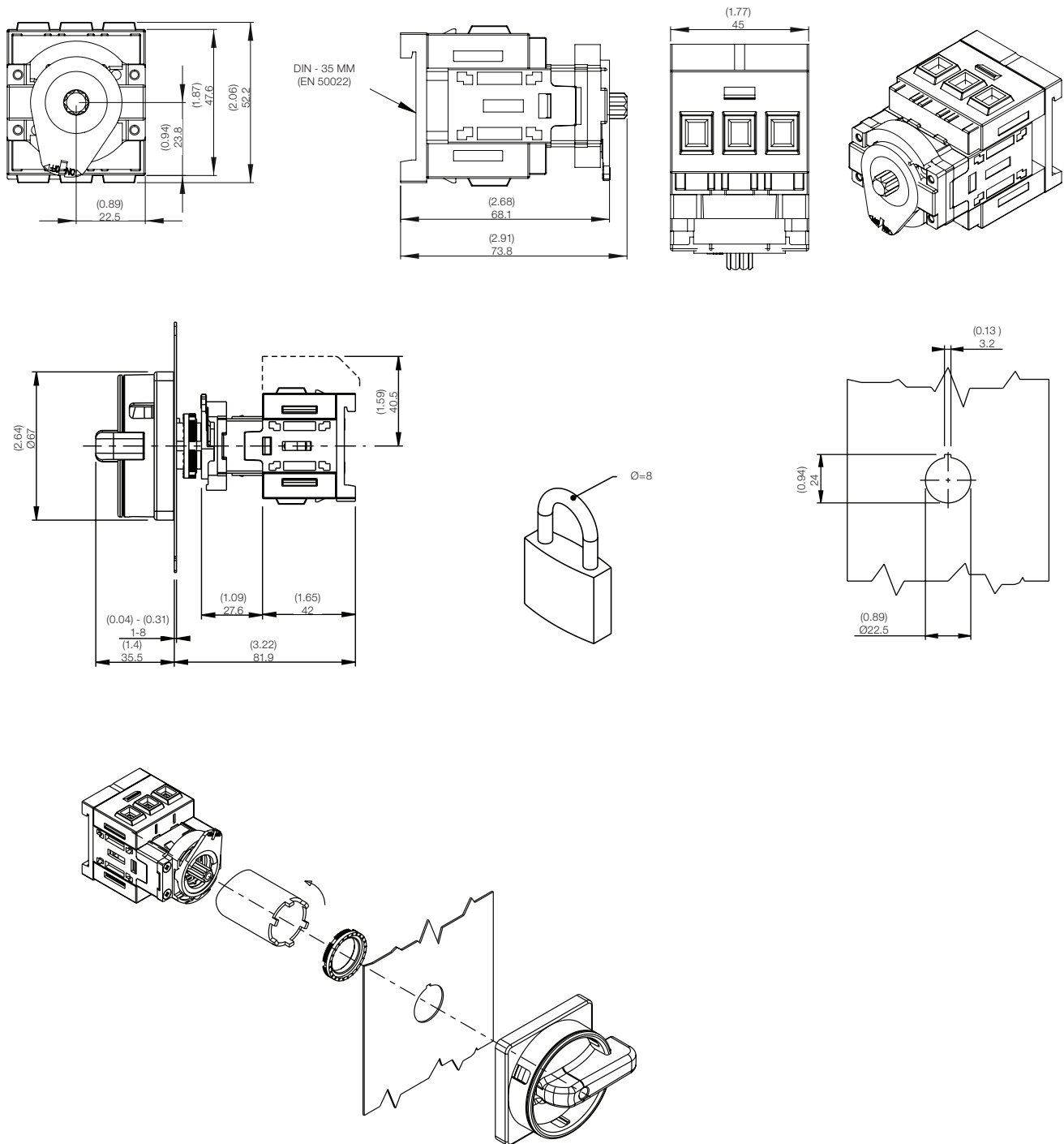
Note: Terminal cover to line or load side (1 piece supplied).

Technical Data

| IEC 60947-3 characteristics | | | MSW 25 | MSW 40 | MSW 63 | MSW 80 | MSW 100 | MSW 125 | MSW 160 | Auxiliary contact | | |
|---|--|-------------------------|--------------------|-----------------|----------------------|----------------------------|--------------------|-----------------|-----------------|-----------------------|------------|-------|
| Rated operating voltage U_e | | V | 690 | | | | | | | | | |
| Rated insulation voltage U_i | | V | 690 | 690 | 690 | 690 | 690 | 800 | 800 | 690 | | |
| Rated impulse withstand voltage U_{imp} (sectionable) | | kV | 8 | 8 | 8 | 8 | 8 | 8 | 8 | 4 | | |
| Rated thermal current I _{th} | | A | 32 | 40 | 63 | 80 | 100 | 125 | 160 | 16 | | |
| Rated thermal current in enclosed I _{the} | | A | 32 | 40 | 63 | 80 | 86 | 125 | 160 | 10 | | |
| Frequency | | Hz | 50/60 | | | | | | | | | |
| Rated operating current I_e: alternate current | | | | | | | | | | | | |
| AC-21A switching resistive loads | | 690 V A | 32 | 40 | 63 | 80 | 100 | 125 | 160 | AC-15 240 V-5 A | | |
| AC-22A switching mixed resistive and inductive loads | | 500 V A | - | - | - | - | 100 | 125 | 160 | DC-13 250 V-0.44 A | | |
| | | 690 V A | 25 | 32 | 63 | 80 | 86 | 125 | 160 | | | |
| AC-23A periodic switching of motors | | 3 phase 3 poles | 230 V A/kW | 25/7.5 | 32/10 | 63/20 | 80/25 | 70/22 | 125/30 | 160/45 | - | |
| | | | 400 V A/kW | 25/15 | 32/18.5 | 50/28 | 75/42 | 67/37 | 125/55 | 160/75 | - | |
| | | | 500 V A/kW | 22/15 | 27/18.5 | 50/35 | 75/52 | 67/45 | 100/63 | 125/80 | - | |
| | | | 690 V A/kW | 16/15 | 20/18.5 | 26/25 | 32/31 | 38/37 | 80/75 | 100/90 | - | |
| AC3 starting of cage motors (interruption while running) | | 3 phase 3 poles | 230 V A/kW | 22/5.5 | 27/7.5 | 45/14 | 60/19 | 60/18.5 | - | - | - | |
| | | | 400 V A/kW | 22/11 | 27/15 | 40/22 | 55/30 | 55/30 | - | - | - | |
| | | | 500 V A/kW | 22/11 | 22/15 | 35/24 | 45/31 | 55/37 | - | - | - | |
| | | | 690 V A/kW | 16/11 | 16/15 | 22/21 | 25/24 | 32/30 | - | - | - | |
| Rated interruption current AC-23A (cosφ 0.45) | | | 230 V A | 200 | 256 | 360 | 600 | 560 | - | - | - | |
| | | | 400 V A | 200 | 256 | 320 | 536 | 536 | 1,000 | 1,280 | - | |
| | | | 500 V A | 176 | 216 | 280 | 536 | 536 | - | - | - | |
| | | | 690 V A | 128 | 160 | 176 | 256 | 304 | 800 | 800 | - | |
| Short circuit characteristics | | | | | | | | | | | | |
| Rated short-time short circuit withstand current I _{cw} (1s) | | A | 800 | 800 | 1,200 | 1,500 | 1,500 | 3,000 | 3,000 | - | | |
| Rated short circuit making capacity I _{cm} | | A | 1,500 | 1,500 | 2,200 | 2,800 | 2,840 | 4,500 | 4,500 | - | | |
| Conditional rated short circuit withstand current | | kA | 10 | 10 | 10/5 | 10/5 | 10 | 15 | 15 | 1 | | |
| Fuse rating gG | | 500 V A | - | - | - | - | 100 | 125 | 125 | 10 | | |
| | | 690 V A | 40 | 40 | 63/80 | 63/80 | - | - | - | - | | |
| UL 508 characteristics | | | | | | | | | | | | |
| General use | | 600 V ac A | 32 | 40 | 60 | 80 | 100 | 125 | 160 | HD A600 ac Q600 dc | | |
| Standard motors load | | Single phase 2 poles | 120 V ac HP (FLA) | 1.5 (20) | 2 (24) | 2 | 3 | 3 (34) | - | - | - | |
| | | | 240 V ac HP (FLA) | 3 (17) | 5 (28) | 5 | 7.5 | 10 (50) | - | - | - | |
| | | 3 phase 3 poles | 240 V ac HP (FLA) | 7.5 (22) | 10 (28) | 10 | 15 | 10 (28) | 40 (104) | 40 (104) | - | |
| | | | 480 V ac HP (FLA) | 10 (14) | 15 (21) | 25 | 30 | 25 (34) | 100 (124) | 100 (124) | - | |
| | | 600 V ac HP (FLA) | 15 (17) | 20 (22) | 30 | 40 | 30 (32) | 125 (125) | 125 (125) | - | | |
| General characteristics | | | | | | | | | | | | |
| Protection degree | | Handle | EN 60529/UL 50 | | | IP65 / Type 1-4-4X-NEMA 4X | | | | | | |
| | | Terminals | EN 60529 | | | IP20 | | | | | | |
| Material group | | EN 60947-1 | | | | II | | IIIa | IIIa | II | | |
| Pollution grade | | EN 60947-1 | 3 | | | | | | | | | |
| Flammability | | UL 94 | V0 | | | | | | | | | |
| Ambient temperature | | Operation | °C | | -25 +55 | | | | | | | |
| | | Storage | °C | | -30 +70 | | | | | | | |
| Climate withstand | | IEC 68 part 2-3 | Hot damp | | | | | | | | | |
| | | IEC 68 part 2-30 | Unsettled hot damp | | | | | | | | | |
| Switching force (3 poles) | | | | | 0.8 Nm (7.1 lb.in.) | 1 Nm (8.85 lb.in.) | 1.5 Nm | 2.6 (23 lb.in.) | | - | | |
| Connections | | EN 60947-1 | | | | | | | | | | |
| Terminal block caliber | | | | | A6 | A8 | | | - | - | A2 | |
| Terminal screw | | | | | M4 | M5 | | | M8 | M8 | M3.5 | |
| Tightening torque | | EN 60947-1 | | | 1.2 Nm | | 3 Nm | | 6 Nm | 6 Nm | 0.8 Nm | |
| | | UL 508 | | | 10.6 lb.in. (1.2 Nm) | | 32 lb.in. (3.6 Nm) | | 53 lb.in. (6Nm) | | 7.1 lb.in. | |
| Main terminal capacity | | | | mm ² | | 1.5-10 | 6-25 | | 10-70 | 10-70 | 1-2.5 | |
| Flexible conductors | | | | AWG | | 12-6 | | 10-2 | | 3/0-6 | 3/0-6 | 18-12 |
| | | | | mm ² | | 1.5-16 | | 10-35 | | 10-70 | 10-70 | 1-2.5 |
| Solid conductors | | | | AWG | | 12-6 | | 10-2 | | 3/0-6 | 3/0-6 | 18-12 |
| Opening angles | | | | | | | | | | 90° | - | |

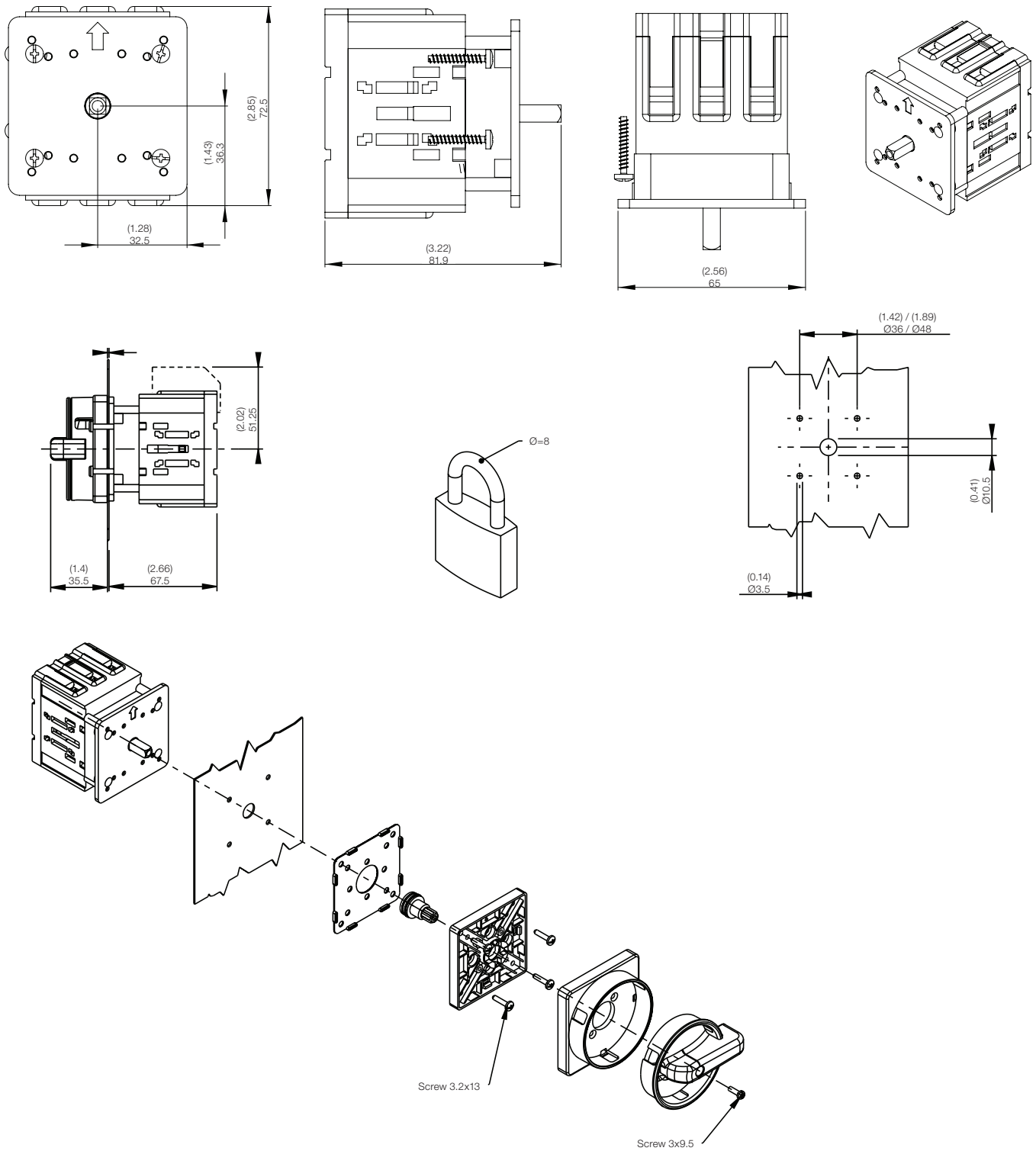
Disconnect Switches for Panel Door Mounting

MSW25...40P-3



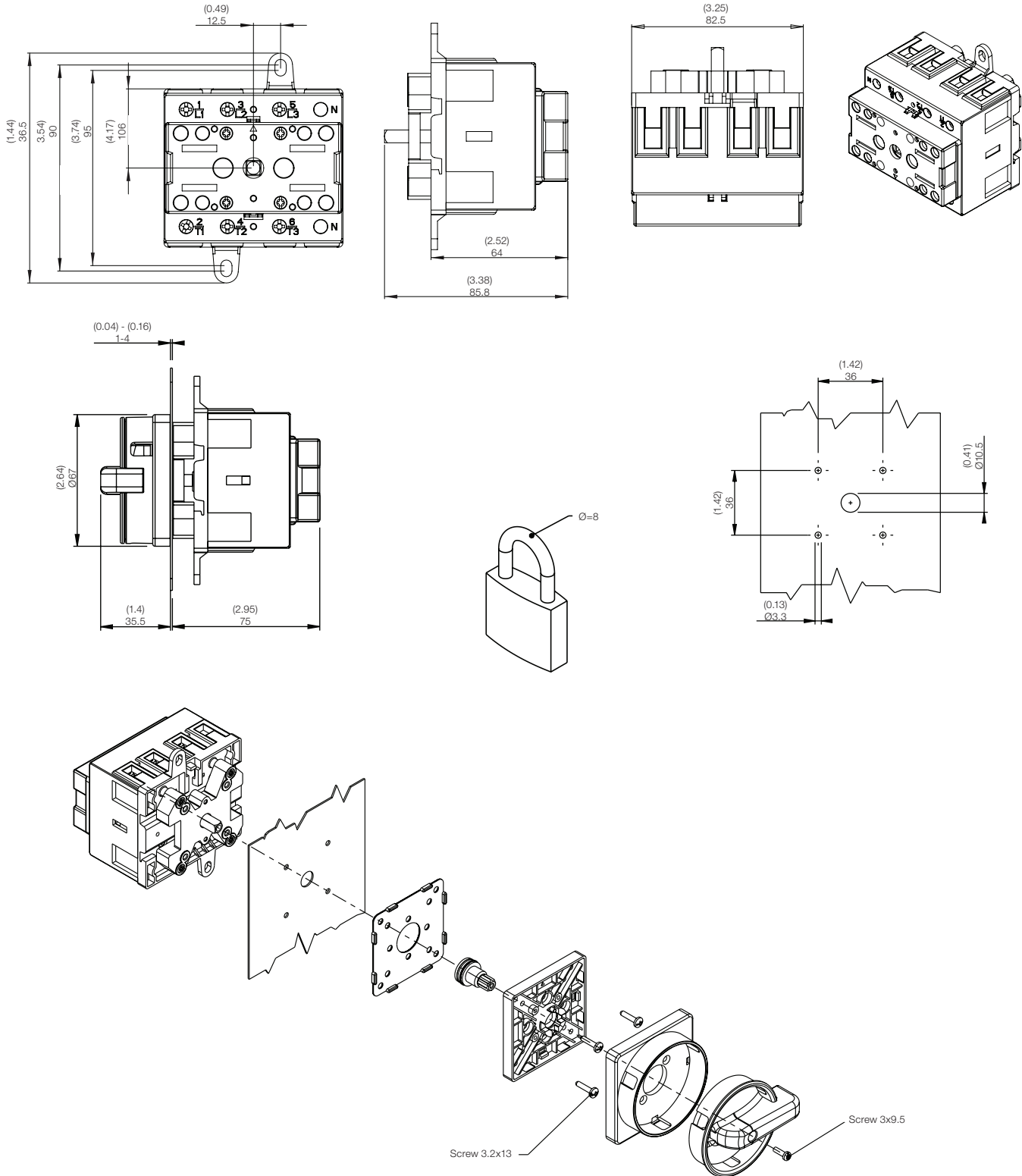
Note: Dimensions mm (in).

MSW63...80P-3



Note: Dimensions mm (in).

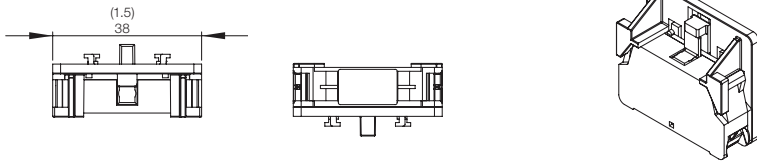
MSW100P-3



Note: Dimensions mm (in).

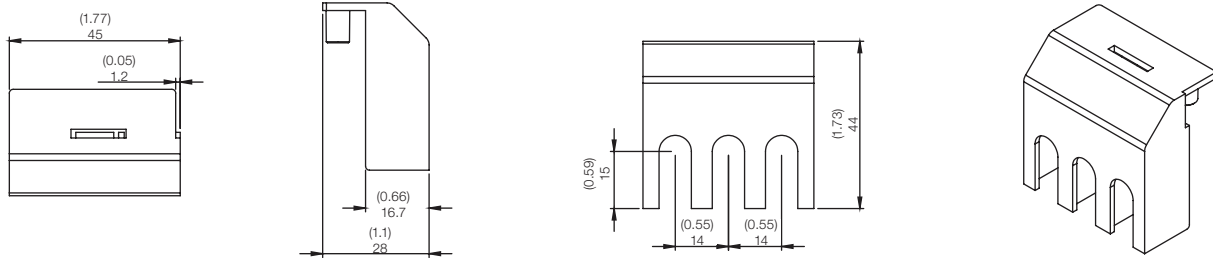
Auxiliary Contact

MSWAC-40...80P1NC / MSWAC-40...80P1NO

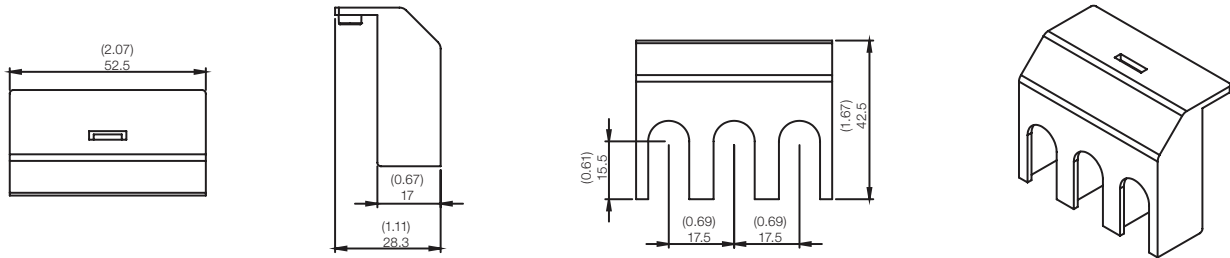


Terminal Cover

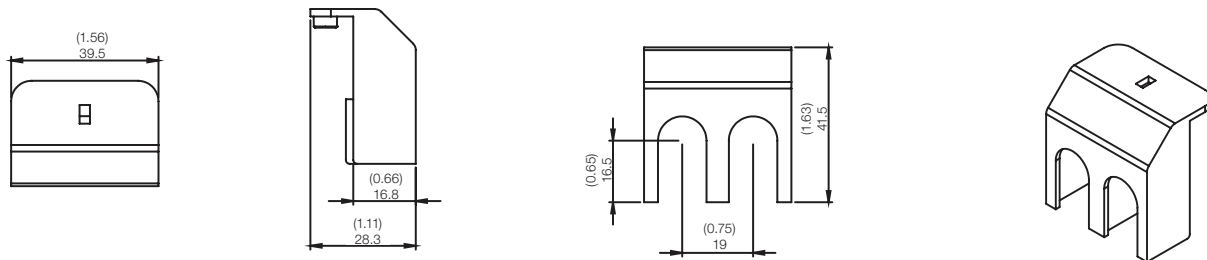
MSWTS-40P



MSWTS-80B-P



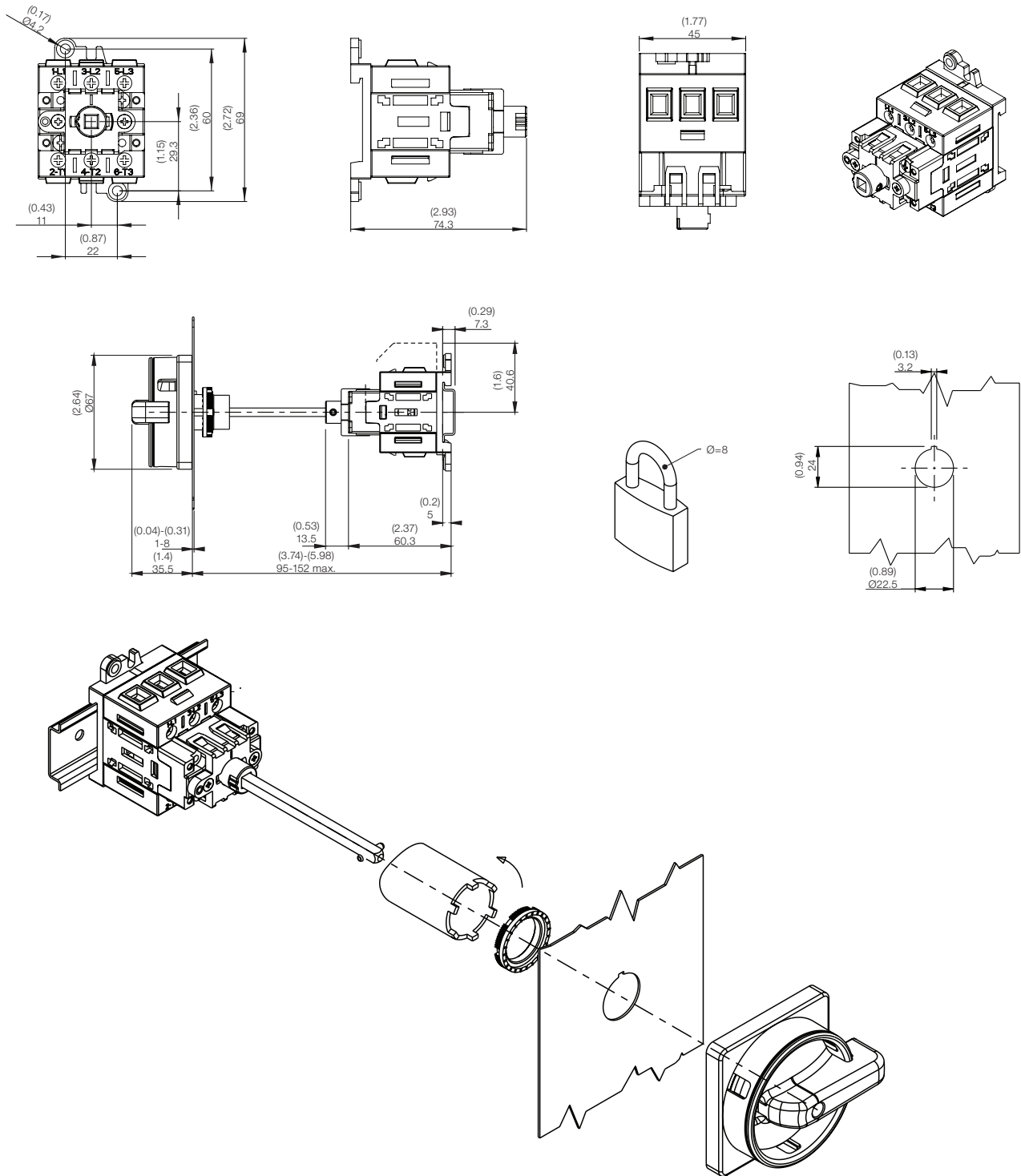
MSWTS-100P



Note: Dimensions mm (in).

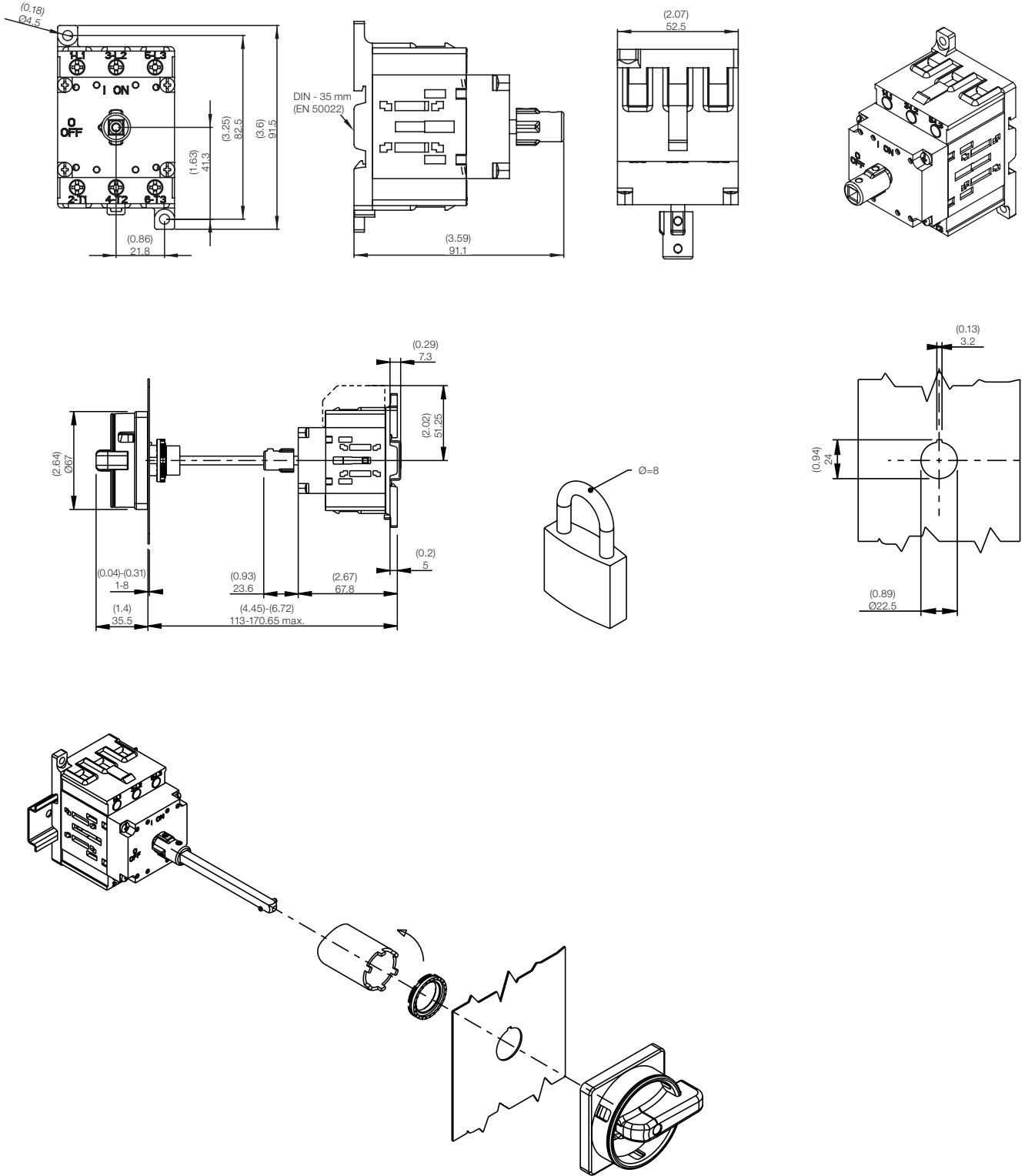
Disconnect Switches for Base Mounting

MSW25...40B-3



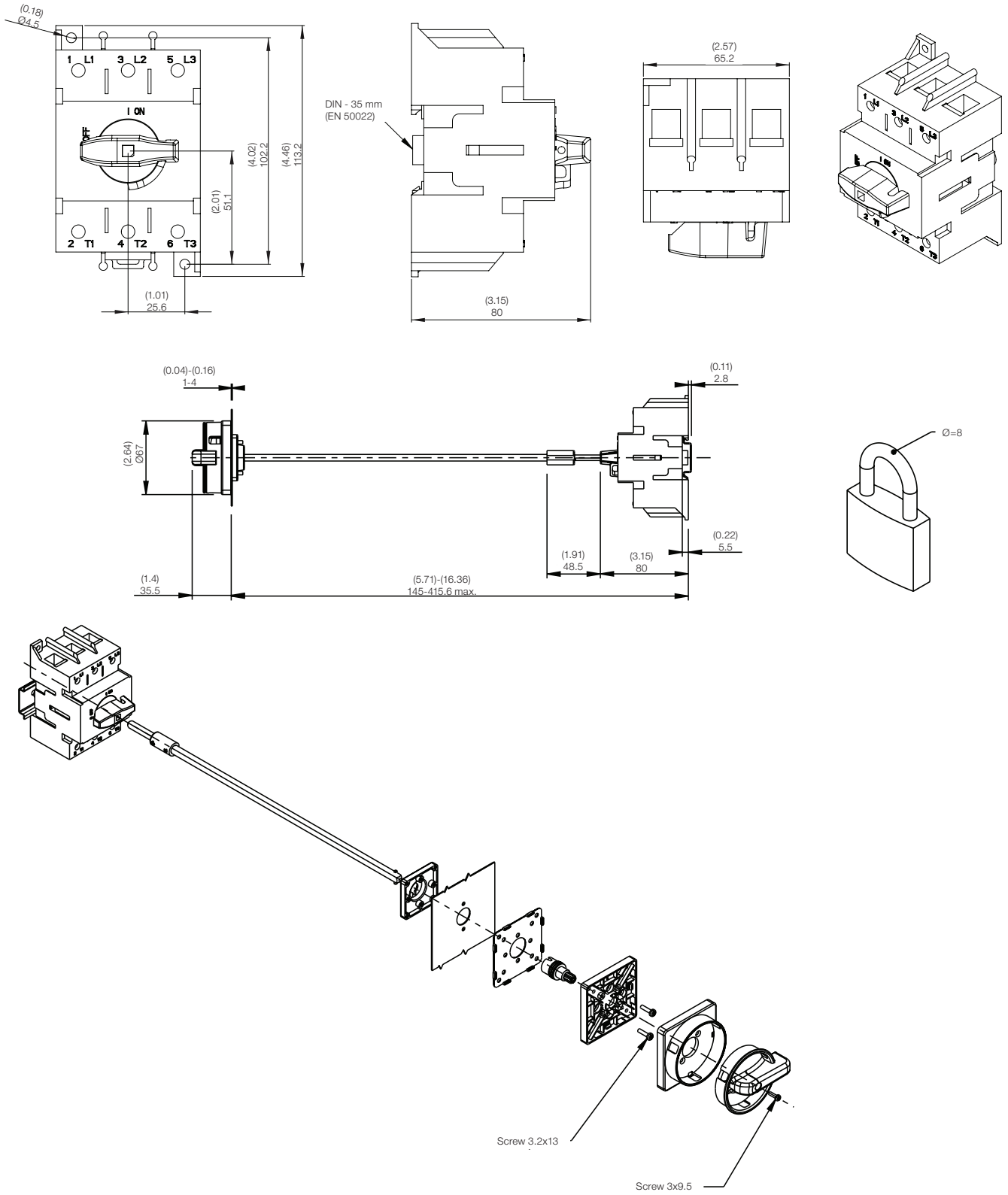
Note: Dimensions mm (in).

MSW63...80B-3



Note: Dimensions mm (in).

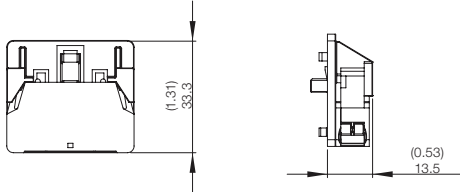
MSW125...160B-3



Note: Dimensions mm (in).

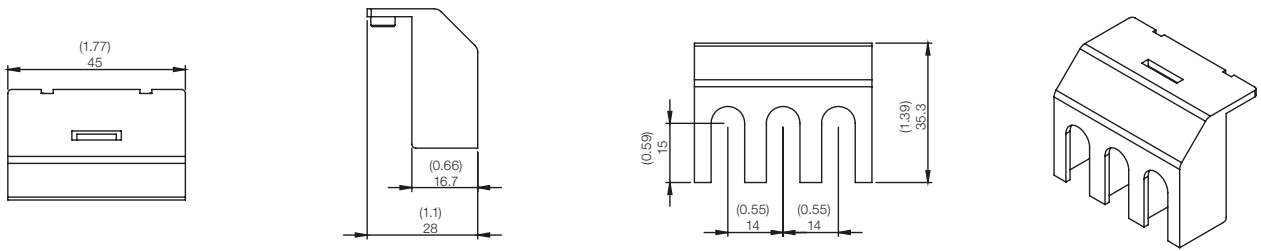
Auxiliary Contact

MSWAC-40...80B1NC / MSWAC-40...80B1NO

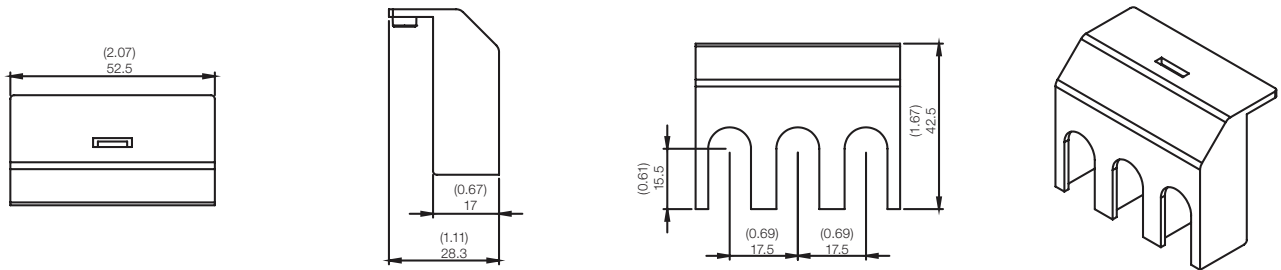


Terminal Cover

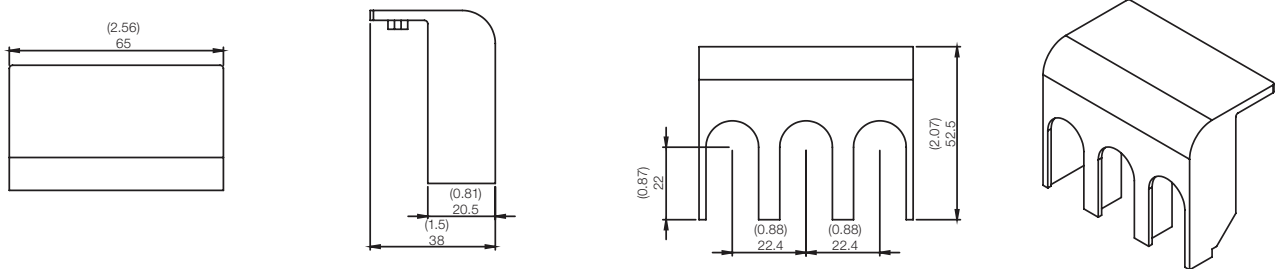
MSWTS-40B



MSWTS-80B-P



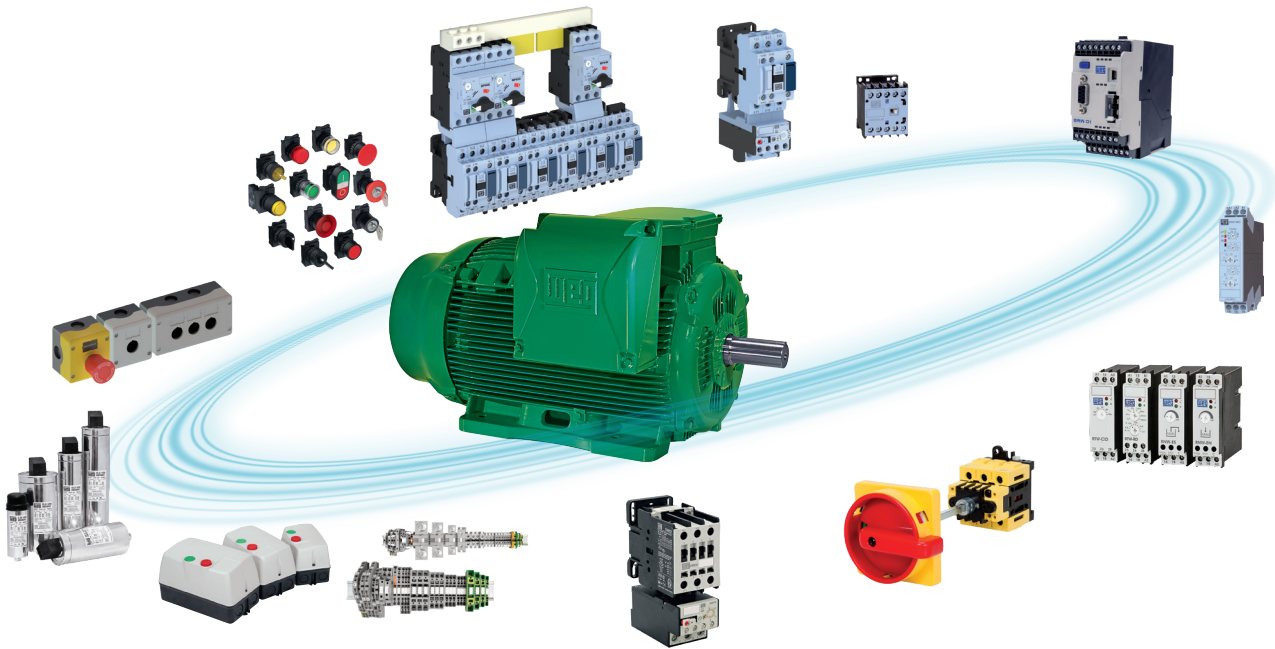
MSWTS-160B



Note: Dimensions mm (in).

The Global Solution with electric machines and automation for industry and energy systems.

WEG, one of the largest global manufacturers of Electric Motors with Quality and Efficiency recognized in different industrial areas worldwide, is also present in Energy, Transmission and Distribution, Coatings and Industrial Automation sectors, and produces and offers a wide range of electric components for Motor Control and Protection and Electric Circuit Protection.



Motor Protection and Starters

- Modular contactors up to 800 A (AC-3)
- Compact contactors up to 22 A (AC-3)
- Control relays
- Motor protective circuit breakers up to 100 A
- Enclosed starters (plastic or metallic enclosures)
- Customized starters for OEM applications
- Overload relays

Electrical Circuit Protection

- Miniature circuit breakers up to 125 A
- Molded case circuit breakers up to 1,600 A (3P and 4P)
- Air circuit breakers up to 6,300 A
- D gL-gG fuses up to 63 A
- NH gL-gG fuses up to 630 A
- NH aR fuses up to 1,000 A
- Disconnect Switches for door or base mounting up to 160 A
- Residual current circuit-breaker up to 100 A (30 or 300 mA)
- Surge suppressors

Electrical Connections

- Terminal blocks with screw type connection
- Terminal block with spring type connection
- Terminal blocks for fuses
- Busbar and busbar connectors
- Identifiers for terminals and cables
- Printing system

Capacitors

- Power factor compensation
- Lighting
- Motor-run

Pushbuttons and Pilot Lights

- IP66 pushbuttons and pilot lights
- Flush, guarded, extended or mushroom illuminated or non illuminated pushbuttons
- Selector switches lever or knob illuminated or non illuminated or with key
- Emergency pushbuttons (according EN 418)
- Contact blocks with "positive break" system
- Double pushbutton
- Pilot lights with LED technology
- Customized descriptions
- Decentralized control stations - PBW

Smart Relay

- Low voltage electric motor management system
- Compact and modular concept
- Full motor protection and monitoring through current and voltage measurements
- Multiple operating modes including PLC functions
- Easy network module change via exclusive drawer system (Modbus, DeviceNet, Profibus modules)
- USB communication
- Free WLP programming software

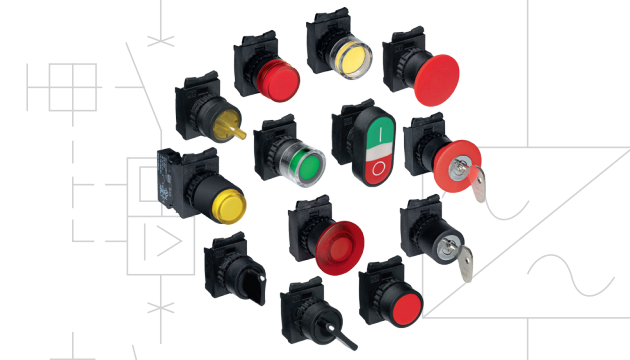
Electronic Relays

- Timing, monitoring and level relays
- 22.5 mm width frame
- LED for status indication
- Multifunction three-phase monitoring relays and timer relays

LET'S START SOMETHING



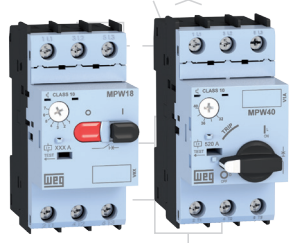
MINIATURE BREAKERS



PUSH BUTTONS AND PILOT LIGHTS



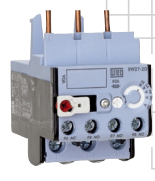
MOLDED CASE CIRCUIT BREAKERS



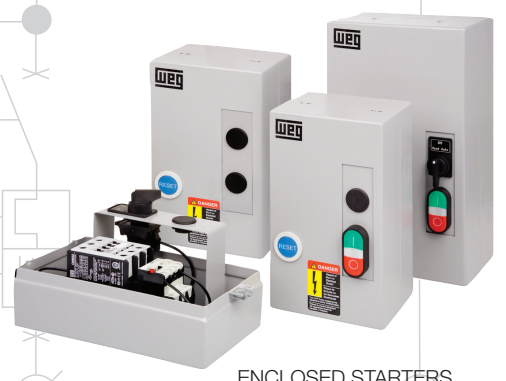
MANUAL MOTOR PROTECTORS



CONTACTORS



OVERLOAD RELAYS



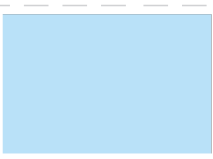
ENCLOSED STARTERS



LV & MV SOFT STARTERS



LV VARIABLE FREQUENCY DRIVES



WEG's scope of solutions is not limited to the products and solutions presented in this brochure.

Contact WEG for information on additional products and solutions.

For WEG's worldwide operations visit our website



www.weg.net



 1-800-ASK-4WEG

 info-us@weg.net

 Duluth, GA

MSW.2022

Information contained herein is subject to change without notice.