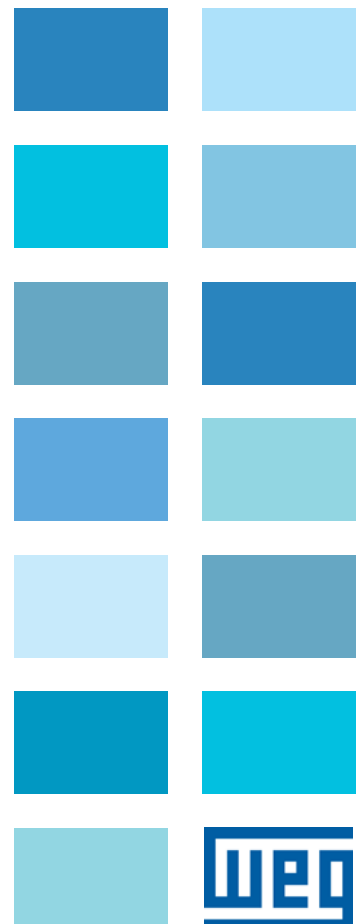


Soft-Starter Arrancador Suave Soft-Starter Sanftanlaufgeräts Démarreur Progressif Avviatori Statici

SSW06

Installation Guide
Guía de Instalación
Guia de Instalação
Kurze Installationsanleitung
Guide Rapide D'Installation
Guida di Installazione



Installation Guide

Series: SSW06


Document no.: 10001069241 / 00


Publication date: 03/2011

Summary


ENGLISH	5
SSW06 QUICK INSTALLATION GUIDE	5
ESPAÑOL	12
GUÍA RÁPIDA DE LA INSTALACIÓN DEL SSW06.....	12
PORTUGUÊS	19
GUIA RÁPIDO DE INSTALAÇÃO DA SSW06.....	19
DEUTSCH	26
KURZE INSTALLATIONSANLEITUNG DES SSW06.....	26
FRANÇAIS	33
GUIDE RAPIDE D'INSTALLATION DU SSW06.....	33
ITALIANO	40
GUIDA RAPIDA DI INSTALLAZIONE DEL SSW06	40


SAFETY NOTICES


 **DANGER!**
Only qualified personnel should plan or implement the installation, start-up, operation and maintenance of this equipment.
These personnel must follow all safety instructions included in the manuals of the product and/or defined by local regulations.
Failure to comply with these instructions may result in personal injury and/or equipment damage.

 **NOTE!**
In this guide, qualified personnel are defined as people that are trained to:

- Install, ground, power-up and operate the SSW06 according to the manuals of the product and the local required safety procedures.
- Use of safety equipment according to the local regulations.
- Administer First Aid Treatment.

 **DANGER!**
Always disconnect the main power supply before touching any electrical component associated with the SSW06.
High voltages and spinning parts (fans) may be present even after switching off the power supply. Wait at least 3minutes for the complete discharge of the capacitors and until the fans stopped.
Always connect the equipment frame to the protection earth (PE) in the appropriate place for this.

 **ATTENTION!**
All electronic boards have components that are sensitive to electrostatic discharges. Never touch any of the electrical components or connectors.
If necessary to do so, touch the properly grounded metallic frame or use a suitable ground strap.

 **DANGER!**
Do not apply a high voltage (High Pot) test on the SSW06! If this test is necessary, contact the manufacturer.

RECEIVING AND STORAGE

When receiving the product verifies if:

- The SSW06 nameplate data matches the purchase order;
- The equipment has not been damaged during transportation. If any problem is detected, contact the carrier immediately.
- If the SSW06 is not to be installed immediately, store it within its original cardboard box in a clean and dry room (Storage temperatures between -25°C (-13°F) and 65°C (149°F).

MECHANICAL INSTALLATION

The SSW06 must be mounted in a free environment of:

- Direct exposure to sunlight, rain, excessive moisture or marine environment;

- Explosive or corrosive gases and liquids;
- Excessive vibration, dust or metallic and/or oil particles in the air.

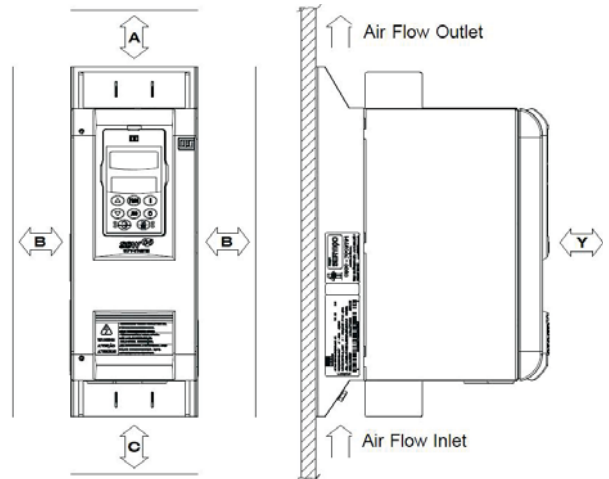
Allowed Environment Conditions:

- Temperature: 0°C to 55°C (32°F to 131°F) – models 10A to 820A; 0°C to 40°C (32°F to 104°F) – models 950A to 1400A.
- Relative Air Moisture: 5%to 90%, non-condensing.
- Degree of Pollution: 2 (according to UL508).

More details to see User’s Guide – Chapter 3 - Item 3.1.1 - Environment Conditions.


Positioning and Fixing:

Free spaces for cooling air flow must be left open around the SSW06, as shown.



Model	A mm(in)	B mm(in)	C mm(in)	Y mm(in)
SSW06.0010 to SSW06.0950	150 (5,90)	30 (1,18)	150 (5,90)	50 (1,96)
SSW06.1100 and SSW06.1400	150 (5,90)	100 (3,93)	150 (5,90)	50 (1,96)

- Install the SSW06 on a flat surface.
- Do not place heat sensitive components above the SSW06.

 **ATTENTION!**
Foresee independent conduits or electroducts for physically separating the signal, control and power conductors
Provide at least a 0.25m (10 in) space between sensitive equipment and wiring from the SSW06, and the cables between the SSW06 and the motor.

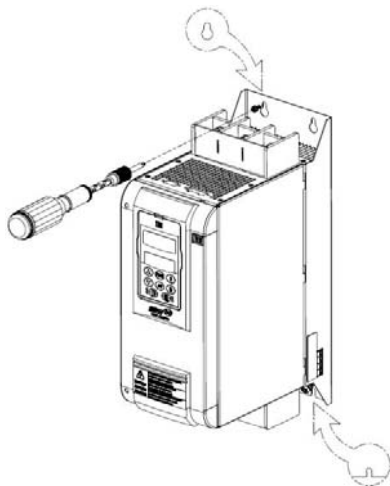
Mounting inside a Panel:

When the SSW06 are installed in panels or closed metallic boxes, adequate cooling is required to ensure that the temperature around the SSW06 will not exceed the maximum allowed temperature [see User's Guide – Chapter 3 – item 3.1.3.1 – Mounting inside a Panel – Tables 3.3 and 3.5].

Mounting on a Surface:

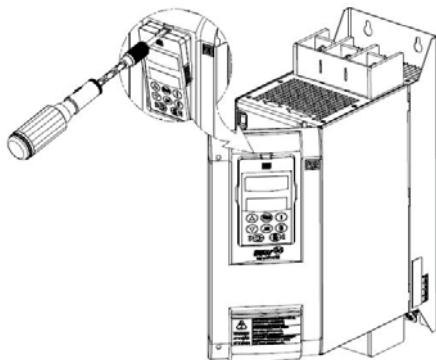
Installation of the SSW06 on a mounting plate

First install and partially tighten the mounting bolts, then install the SSW06 and tighten the mounting bolts.



External dimensions, mounting screws and weight of the SSW06 are shown in the User's Guide - Chapter 3 - Item 3.1.2 - Dimensions of the SSW06.

Procedures for HMI removal and front cover opening for the control connections exposure.



ELECTRICAL INSTALLATION



DANGER!

Be sure that the AC input power is disconnected before making any terminal connections.



ATTENTION!

The described information in manuals of the SSW06 have the intention to serve as guide to get a correct installation. It also follows all applicable local standards for electrical installations.



DANGER!

The SSW06 cannot be used as an emergency stop device.

Power Terminals:

The power connection terminals can be of different sizes and configurations, depending of the SSW06 model [see User's Guide – Chapter 3 – Item 3.2.1 – Power Terminals – Figures 3.8x – Power Terminals, Table 3.5 – Maximum tightening Torque for power connection and Figures 3.9x – Location of the connections].

R / 1L1, S / 3L2 and T / 5L3: AC power supply line.

U / 2T1, V / 4T2 and W / 6T3: Motor connection.

Power and Grounding Cables:



NOTE!

For correct cable sizing, consider the installation condition, the maximum permitted line voltage drop, and follow electrical instructions defined by local regulations.

For more details: see User's Guide – Chapter 3 – Item 3.2.3 – Recommended Power and Grounding Cables – Tables 3.6 e 3.7.

Connection of the Power Supply to the SSW06:



DANGER!

The supply voltage must be compatible with the nominal voltage of the SSW06. Models of 220 to 575 Vac or the models of 575 to 690 Vac.




DANGER!


Provide a power supply disconnecting switch. This disconnecting switch must disconnect the AC input voltage from the SSW06, when ever required (for instance during maintenance services).

Power Supply Capacity [see User's Guide – Chapter 3 – Item 3.2.4.1. – Power Supply Capacity].

Recommended Fuses [see User's Guide – Chapter 3 – Item 3.2.4.2. – Recommended Fuses].

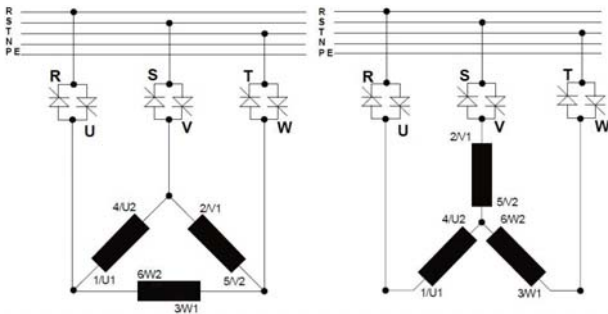
Connection of the SSW06 to the motor:

 **DANGER!**
Power factor correction capacitors should never be connected to the output of the SSW06 (U / 2T1, V / 4T2 and W / 6T3).

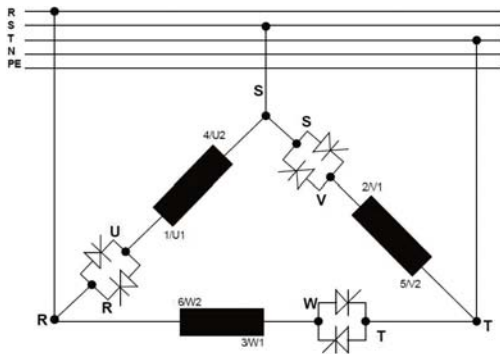
 **ATTENTION!**
The nominal current of the motor cannot be lower than 30% of the nominal current of the SSW06.


Types of connection to the motor:


Standard Connection of the SSW06 to the Motor with Three Cables (P150=0=Inactive)




Inside Delta Motor Connection of the SSW06 with Six Cables (P150=1=Active)





 **ATTENTION!**
Pay attention to the connection of the motor to the SSW06, respect the connection diagrams shown in User's Guide – Chapter 3 – Item 3.2.5 - Connection of the SSW06 to the motor.
If it is necessary to change the motor rotating direction, only invert the SSW06 connections to the power supply, when the inside delta motor connection will be used.


 **DANGER!**
The inside delta motor connection cannot be used in line voltage higher than 575Vac.

 **DANGER!**
Ensure correct setting of Parameter P150 before the motor is switched ON. SSW06 may be damaged, when this parameter setting is not correct.

Grounding Connections:

 **DANGER!**
The SSW06 must be grounded for safety purposes (PE). The earth or ground connection must comply with the local regulations. (resistance ≤ 10 ohms).

 **ATTENTION!**
The SSW06 can be used in power supply grounded of the type TT or TN (IEC) or in power supply of the type IT, since that grounded by an impedance.

 **DANGER!**
Do not use the neutral conductor for grounding purposes. Use a specific ground conductor.

For more details see User's Guide – Chapter 3 – Item 3.2.6 – Grounding Connections.


Fan Connections:


It's available in models greater than 255A. The nominal voltage of the fans can be selected by switch in models from 255A to 820A. For models from 950A to 1400A the voltage selection is fixed, according to the product specification.

For more details see User's Guide – Chapter 3 – Item 3.2.7 – Fan Connections.

Signal and Control Connections:

All the inputs and outputs of the SSW06 are programmable. The details of the connections are available in the User's Guide - Chapter 3 - Item 3.2.8 - Signal and Control Connections.

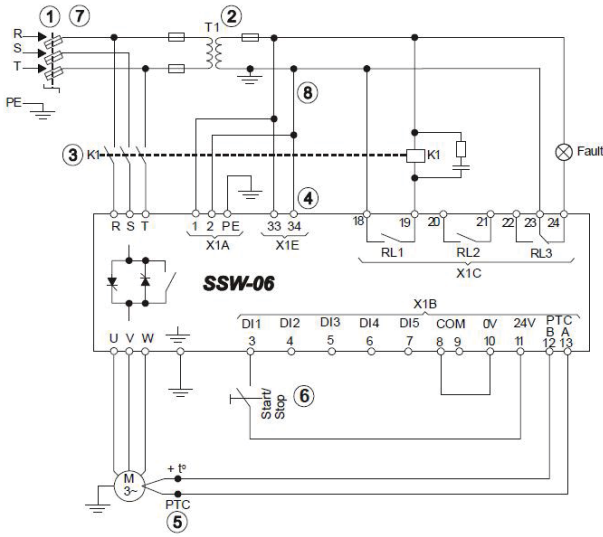
 **DANGER!**
Never apply high voltages to the digital inputs.

 **NOTE!**
The auxiliary electronic power supply of the SSW06 of +24Vdc shall only be used for the supply of the digital inputs.

RECOMMENDED SET-UPS

Recommend Set-ups with Command via Two-wire Digital Inputs.

P150=0, P220=1, P230=1, P263=1, P277=1, P279=6.



NOTE!

The transformer "T1" is optional and should be used when the line voltage is different from the electronics and fan voltage.



NOTE!

To protect the motor against destruction by possible short circuits in the power circuit of the SSW06 use an isolating contactor (K1) or circuit-breaker (Q1).



NOTE!

X1E (33 and 34) is only available on the models with cooling fans.

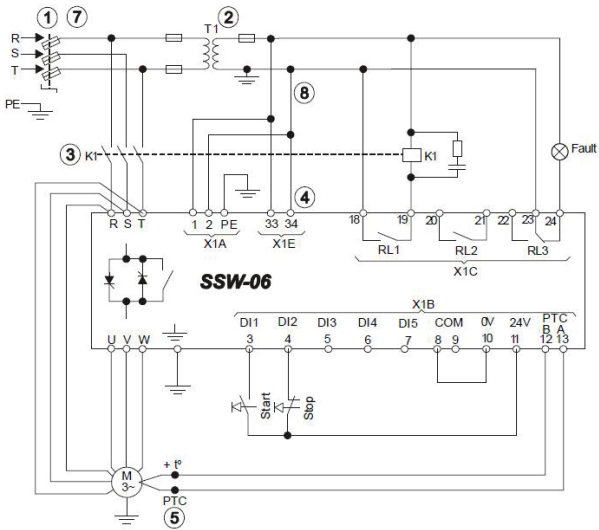


NOTE!

For integral motor protection the installation of one or more PTC (PTC at DI6) or thermostats (external fault at DI4 to DI6) is recommended.

Recommend Set-ups with Command via Three-wire Digital Inputs and Inside Delta Motor Connection.

P150=1, P220=1, P230=1, P263=2, P264=1, P277=1, P279=6.



NOTE!

Remember that when a command via two-wire digital input is used (the switch is normally open with retention), every time the power supply returns, after any fault, the motor starts immediately if the switch remains closed.



NOTE!

In case of maintenance services, remove the power supply fuses or disconnect the power supply, thus ensuring complete equipment disconnection from power.



NOTE!

An emergency stop can be obtained by disconnecting the electronics power supply.

For more detail or others types of recommended set-ups see User's Guide – Chapter 3 – Item 3.3 – Recommended Set-ups.

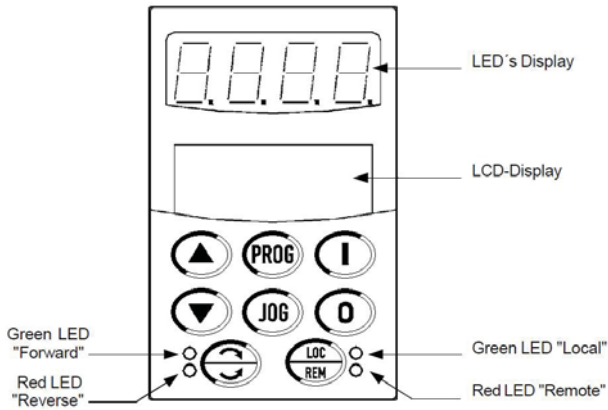


NOTE!

For the protection of all of the electrical installation, the use of fuses or circuit breakers in the main power supply circuit is necessary.

The use of high speed semiconductor fuses are not necessary for the functioning of the SSW06, but its use is recommended for the complete protection of the thyristors.

USE OF THE HMI



Programming keys:

- Toggles the LED display between the parameter number and its value (position / content).
- Increases the number of the parameter or the value of the parameter.
- Decreases the number of the parameter or the value of the parameter.

Command selecting keys:

- Toggles between LOCAL or REMOTE modes of operation. Parameter: P220 = 2 or 3.



NOTE!

In the factory default settings the commands for keys of the HMI are enabling when the Local will be selected.

Command keys:

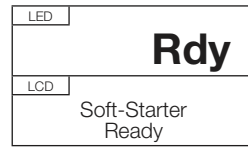
- Enable the motor (start). After starting, at each touch it commutates the fast access indication on the display.
- Disable the motor (stop). It resets the SSW06 after a fault trip.
- Reverses the motor direction of rotation. By contactor or JOG Only. Parameter: P231.
- When the Jog key is pressed realize the Jog function (if the motor is not enabled, the SSW06 is with General Enable active and Jog is not enabled). Parameters: P51X.



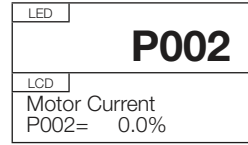
NOTE!

These functions can be executed via: digitals inputs, communication serial, fieldbus or SoftPLC. Parameters: P220, P229 and P230.

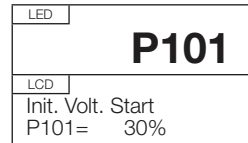
Parameter viewing and programming:



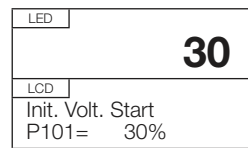
Initial screen at power-up. Press the key .



Use the keys and . Select the desired parameter.



For example, change P101. Press the key .

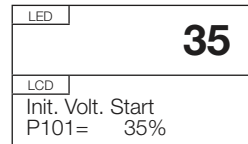


Value to be change.

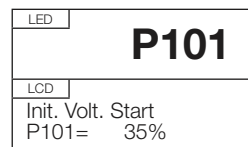


NOTE!

To allow the reprogramming of any parameter value it is necessary to change parameter P000 to the password value. The factory default password value is 5. Otherwise you can only read the parameter values and not reprogram them.



Use the keys and change the value of parameter.



Press the key and the value is saved.



NOTE!

For parameters that can be changed with the motor running, the SSW06 will use the new value immediately after it has been set. For the parameters that can be changed only with the motor stopped, the SSW06 will use this new set value only after the key is pressed with the motor disable.



NOTE!

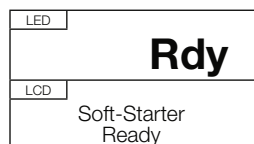
If the last value programmed in the parameter is not functionally compatible with other parameter values already programmed, an E24 –Programming Error – will be displayed.

The parameters of the SSW06 can be grouped of the following form in accordance with its functions:

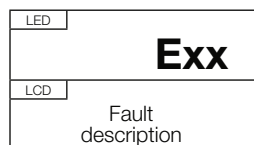
<p>Measurements</p> <p>Current P001, P002, P003, P030, P031, P032</p> <p>Voltage P004, P007, P033, P034, P035</p> <p>Frequency P005</p> <p>Power Factor P008</p> <p>Torque P009</p> <p>Power P010 and P011</p> <p>KWh Consumed P044 and P045</p>	<p>Indications</p> <p>SSW Status P006</p> <p>DIs and DOs Status P012 e P013</p> <p>Analogs Outputs P027 e P028</p> <p>Thermal Class Status P050</p>	<p>Types of Control</p> <p>Selection P202</p> <p>Voltage Ramp P10X</p> <p>Current Limit P11X</p> <p>Torque Control P12X</p> <p>Pump Control P13X</p>	<p>Inputs and Outputs</p> <p>Digitals Inputs P26X</p> <p>Digitals Outputs P27X</p> <p>Analogs Outputs P25X</p>	<p>Local / Remote</p> <p>Selection P220</p> <p>Local P229</p> <p>Remote P230</p>
<p>Configurations of the HMI</p> <p>Password P000 e P200</p> <p>Language P201</p> <p>Default Display P205</p> <p>Display Contrast P218</p>	<p>Configurations of the SSW</p> <p>Delta Inside P150</p> <p>External Bypass P140</p> <p>Auto-reset Time P206</p>	<p>Especial Function</p> <p>FWD/REV Selection P231</p> <p>Braking P50X</p> <p>Jog P51X</p> <p>Kick Start P52X</p>	<p>Communication</p> <p>Serial P308, P312, P313 and P314</p> <p>Fieldbus P085, P309, P310, P313, P315, P316 and P317</p>	<p>Protections</p> <p>Voltage Protection P60X</p> <p>Current Protection P61X</p> <p>Phase Sequence P620</p> <p>Bypass Closed P621</p> <p>Timer After Stop P630</p> <p>Motor Thermal Class P64X</p> <p>Torque Protection P65X</p> <p>Power Protection P66X</p> <p>K-PT100 Protection P67X, P68X and P69X</p> <p>Error or Alarm Selection P7XX</p>
<p>Data</p> <p>Software Version P023</p> <p>SSW's Data P29X</p> <p>Motor's Data P40X</p>	<p>Backup</p> <p>Load / Save P204</p> <p>Copy Function P215</p>	<p>Fault History</p> <p>Last Errors P014 a P019</p> <p>Current, Voltage and Status at Error P06X and P07X</p> <p>Current Fault P020</p> <p>Current Alarm P021</p>	<p>Diagnostics</p> <p>Time Powered P042</p> <p>Time Enable P043</p> <p>Start P047, P048, P049, P058 and P059</p> <p>Motor Enable P053 to P057</p>	<p>SoftPLC</p> <p>Status P088</p> <p>Allows P089</p> <p>Enable P950</p> <p>Enable IOs Expansion P951</p> <p>User's Parameters P95X</p>

For more details see the User's Guide: Quick Parameter Reference – I. Parameters and II. Fault or Alarm Messages, Chapter 6 – Detailed Parameter Description and Chapter 8 – Item 8.1 – Diagnostics and Troubleshooting.

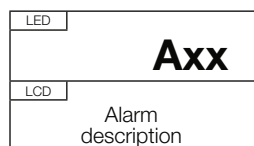
SSW06 Status:



Soft-Starter is “ready” to be enabled.



Soft-Starter with fault.



Soft-Starter with Alarm.



NOTE!

These states are showed automatically on the display; the others are showed in the parameter P006.

POWER-UP PREPARATION



DANGER!

Disconnect the AC power input before making any connections.

- Check if the power, grounding and control connections are correct and well tightened.
- Remove all shipping material from the inside of the SSW06 or cabinet.
- Check the correct voltage selection.
- Check all motor connections and verify if their voltages, currents and frequencies match the SSW06 specifications.
- Check the SSW06 motor connection type. Check if the standard three-wire connection should be used or if the SSW06 should be connected via inside delta of the motor
- Uncouple the load from the motor. If the motor cannot be uncoupled, make sure that the direction of rotation (FWD/REV) cannot cause damage to the machine.
- Close the SSW06 and / or cabinet cover.

INITIAL POWER-UP

- Check the supply voltage. Measure the line voltage and check if it is within the specified range [see User’s Guide – Chapter 10 – Item 10.3 – Power Data and Item 10.4 – Electronics / Programming Data].
- Power-up the Electronics Supply.



ATTENTION!

In the first power-up, always energize the electronics supply before energizing the power and program the minimum necessary parameters to put the SSW06 in functioning and later energizing the power.

- Check if the power-up has been successful. When the SSW06 is powered up for the first time or when the factory default parameter values are loaded (P204 = 5), a start-up routine is run [see User’s Guide – Chapter 5 – Figure 5.1 – Parameter sequence during initial power-up].

This routine requests to the user who program some referring basic parameters of the SSW06 and the motor:

- Language [P201].
- Type connection to the motor [P150].
- Control type [Control Type].
- Motor’s data [P40X].
- Motor thermal class protection [P64X].



NOTE!

In this parameter setting sequence only the main parameters for learning about the SSW06 operation are shown.



ATTENTION!

For correct programming of the protection parameters, please consider the catalog data and the motor nameplate data of the used motor.



ATTENTION!

To protect the motor against overloads during the start process and during operation, program the thermal class of the motor.

- Close the power input circuit-breaker.
- Verify the power supply voltages through parameters P004, P033, P034 and P035.

For more details of the start-up: see User’s Guide – Chapter 5 – Item 5.3 – Start-up.

For examples of programming of the types of control with different types of loads, see User’s Guide – Chapter 7.

INSTRUCCIONES DE SEGURIDADE



¡PERLIGO!

Solamente personas con calificación adecuada y familiaridad con el SSW06 y equipamientos asociados deben planear o implementar la instalación, arranque, operación y mantenimiento de este equipamiento. Estas personas deben seguir todas las instrucciones de seguridad contenidas en este manual y/o definidas por las normas locales. No seguir las instrucciones de seguridad puede resultar en riesgo de vida y/o daños en el equipamiento.



¡NOTA!

Para los propósitos de este guía, personas calificadas son aquellas entrenadas de forma a que estén aptas para:

- Instalar, hacer la puesta a tierra, energizar y operar el SSW06, de acuerdo con este manual y los procedimientos legales de seguridad vigentes.
- Utilizar los equipamientos de protección de acuerdo con las normas establecidas.
- Prestar servicios de primeros socorros.



¡PERLIGO!

Siempre desconecte la alimentación general antes de cambiar cualquier componente eléctrico asociado al SSW06. Altas tensiones y partes girantes (ventiladores) pueden estar presentes mismo después de la desconexión de la alimentación. Aguarde por lo menos 3 minutos para la descarga completa de los capacitores y parada de los ventiladores. Siempre conecte la carcasa del equipamiento a tierra de protección (PE) en el punto adecuado para esto.



¡ATENCIÓN!

Las tarjetas electrónicas poseen componentes sensibles a las descargas electrostáticas. No toque directamente sobre componentes o conectores. Caso necesario, toque antes en la carcasa metálica puesta a tierra o utilice pulsera antiestática adecuada.



¡PERLIGO!

No ejecute ninguna prueba de tensión aplicada al SSW06! Caso sea necesario consulte el fabricante.

RECEBIMIENTO Y ALMACENAMIENTO

Cuando la recepción del producto verifica si:

- La etiqueta de identificación del SSW06 corresponde al modelo comprado.
- Ocurrieran daños en el transporte. Caso sea detectado algún problema, contacte inmediatamente la transportadora.
- Si el SSW06 no será instalada luego, manténgalo dentro del embalaje cerrado y almacénelo en un lugar limpio y seco (temperatura entre -25°C y 65°C).

INSTALACIÓN MECÁNICA

El SSW06 debe ser montado en un ambiente libre de:

- Exposición directa a los rayos solares, lluvia, humedad excesiva o niebla salina.
- Gases y líquidos explosivos o corrosivos.
- Vibración excesiva, polvo o partículas metálicas y/o aceites suspensos en el aire.

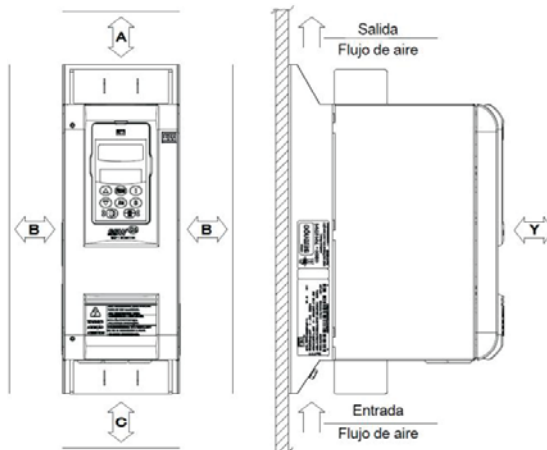
Condiciones Ambientales Permitidas:

- Temperatura: 0°C a 55°C - modelos de 10A a 820A; 0°C a 40°C - modelos de 950A a 1400A.
- Humedad relativa del aire: 5% a 90% sin condensación.
- Grado de polución: 2 (conforme UL508).

Para mas datos ver Manual del Usuario – Capítulo 3 – ítem 3.1.1 – Condiciones Ambientales.

Posicionamiento y Fijación:

Para la instalación del SSW06 debe se dejar con lo mínimo los espacios libres alrededor de acuerdo con informaciones que siguen:



Modelo	A mm(in)	B mm(in)	C mm(in)	Y mm(in)
SSW06.0010 a SSW06.0950	150 (5,90)	30 (1,18)	150 (5,90)	50 (1,96)
SSW06.1100 y SSW06.1400	150 (5,90)	100 (3,93)	150 (5,90)	50 (1,96)

- Instalar el SSW06 en superficie razonablemente plana.
- No colocar componentes sensibles al calor luego arriba del SSW06.



¡ATENCIÓN!

Prever conduintes o electroductos independientes para la separación de la señal de control y de potencia. Todos los equipamientos y cables que puedan ser sensibles, deben ser instalados a una distancia de 0,25m del SSW06 y cables del motor.

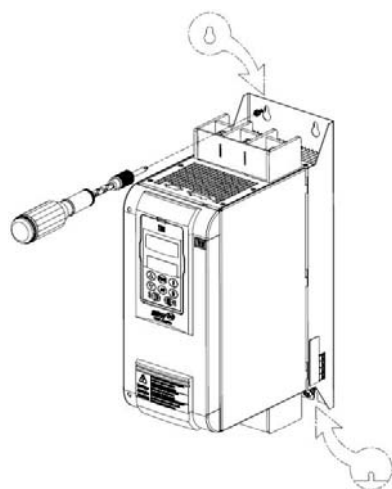
Montaje en Panel:

Para SSW06 instalados dentro de paneles o cajas metálicas cerradas, proveer extractor adecuada para que la temperatura quede dentro del rango permitido [ver Manual del Usuario – Capítulo 3 – ítem 3.1.3.1 – Montaje en Panel – Tablas 3.3 a 3.5].

Montaje en Superficie:

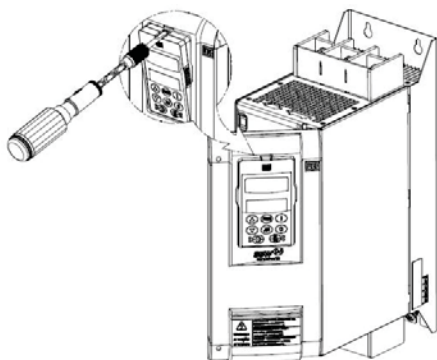
Instalación del SSW06 en la superficie de una placa de montaje.

Colocar primero los tornillos en la superficie donde el SSW06 será instalado. Instalar el SSW06 y apretar los tornillos.



Dimensiones externas, agujeros y tornillos de fijación del SSW06 se demuestran en el Manual del Usuario – Capítulo 3 – ítem 3.1.2 – Dimensiones del SSW06.

Procedimiento de remoción de la HMI y tapa protectora de las conexiones de control.



INSTALACIÓN ELÉCTRICA



¡PERLIGO!

Certifíquese que la red de alimentación esté desconectada antes de iniciar las conexiones..



¡ATENCIÓN!

Las informaciones que siguen tiene la intención de servir como guía para obtenerse una instalación correcta. Siga las normas de instalación eléctrica aplicables.



¡PERLIGO!

El SSW06 no puede ser utilizado como mecanismo para parada de emergencia.

Terminales de Potencia:

Los terminales de conexión de potencia pueden asumir tamaños y configuraciones diferentes dependiendo del modelo del SSW06 [ver Manual del Usuario – Capítulo 3 – ítem 3.2.1 – Terminales de Potencia – Figuras 3.8x – Terminales de Potencia, Tabla 3.5 – Máximo par (torque) en los tornillos de la potencia y Figuras 3.9x – Localización de las Conexiones].

R / 1L1, S / 3L2 e T / 5L3: Red de alimentación de la potencia.

U / 2T1, V / 4T2 e W / 6T3: Conexión para el motor.

Cables de Potencia y Puesta a Tierra:



¡NOTA!

Para el correcto dimensionamiento de los cableados es necesario llevar en consideración las condiciones de instalación, la máxima caída de tensión permitida y utilizar normativas de instalaciones eléctricas locales.

Para mas detalles ver Manual del Usuario – Capítulo 3 – ítem 3.2.3 – Cables de Potencia y Puesta a Tierra Propuesto – Tablas 3.6 y 3.7.

Conexión de la Red de Alimentación para el SSW06:



¡PERLIGO!

La tensión de red debe ser compatible con la tensión nominal del SSW06. Modelos de 220 a 575 Vca o modelos de 575 a 690 Vca.



¡PERLIGO!

Prever un equipamiento para seccionamiento de la alimentación del SSW06. Este debe seccionar la red de alimentación para el SSW06 cuando es necesario en casos de emergencia o trabajos de mantenimiento.

Capacidad de la Red de Alimentación [ver Manual del Usuario – Capítulo 3 – ítem 3.2.4.1. – Capacidad de la Red de Alimentación].

Fusibles Recomendados [ver Manual do Usuario – Capítulo 3 – ítem 3.2.4.2. – Fusibles Recomendados].

Conexión del SSW06 para el Motor:



¡PERLIGO!

Capacitores de corrección de factor de potencia nunca pueden ser instalados en la salida del SSW06 (U / 2T1, V / 4T2 y W / 6T3).

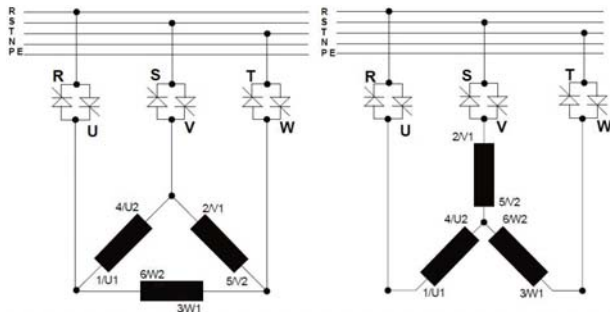


¡ATENCIÓN!

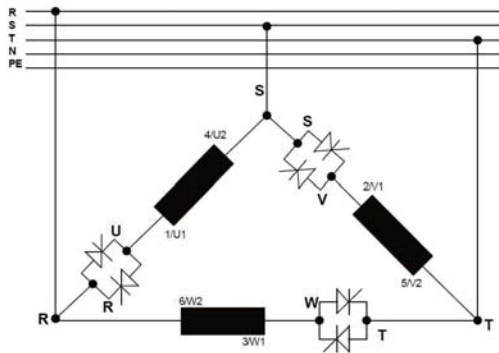
A corriente nominal del motor no debe ser inferior a los 30% de la corriente nominal del SSW06.

Tipos de conexión para el motor:

Conexión Padrón del SSW06 para el Motor con Tres Cables (P150=0=Inactiva)



Conexión del SSW06 Dentro de la Conexión Delta del Motor Con Seis Cables (P150=1=Activa)



¡ATENCIÓN!

Mucha atención en la conexión del motor al SSW06, respete los diagramas de conexiones presentadas en el Manual del Usuario – Capítulo 3 – Ítem 3.2.5 – Conexión del SSW06 al Motor.

En la conexión dentro de la conexión delta del motor, si fuera necesario invertir el sentido de giro en el motor, invierta solamente las conexiones del SSW06 a la red de alimentación.



¡PERLIGO!

La conexión dentro de la ligación delta del motor no puede ser utilizada en tensiones arriba de 575 Vca.



¡PERLIGO!

No accione el motor con el contenido de P150 errado. Si este parámetro es programado erróneamente podrá dañar el SSW06.

Conexiones de Puesta a Tierra:



¡PERLIGO!

Los SSW06 deben ser obligatoriamente puestos a tierra de protección (PE). La conexión de puesta a tierra debe seguir las normas locales (resistencia ≤ 10 ohms).



¡ATENCIÓN!

Los SSW06 pueden ser utilizados en redes de alimentación del tipo TT o TN (IEC) o en redes del tipo IT desde conectadas a tierra por una impedancia.



¡PERLIGO!

No utilice el neutro para puesta a tierra. Utilice un conductor específico puesta a tierra.

Para más detalles ver Manual del Usuario – Capítulo 3 – Ítem 3.2.6 – Conexiones de Puesta a Tierra.

Conexiones de los Ventiladores:

Disponibles en los modelos arriba de 255A. En los modelos de 255A a 820A es posible seleccionar también la tensión nominal de los ventiladores. En los modelos de 950A a 1400A la selección de tensión es fija, de acuerdo con la especificación del producto.

Para más detalles ver Manual del Usuario – Capítulo 3 – Ítem 3.2.7 – Conexiones de los Ventiladores.

Conexiones de los Cableados de Señal y de Control:

Todas las entradas y salidas del SSW06 son programables. Los detalles de las conexiones están disponibles en el Manual del Usuario – Capítulo 3 – Ítem 3.2.8 – Conexiones de los Cableados de Señal y de Control.



¡PERLIGO!

Nunca aplique tensiones altas a las entradas digitales.



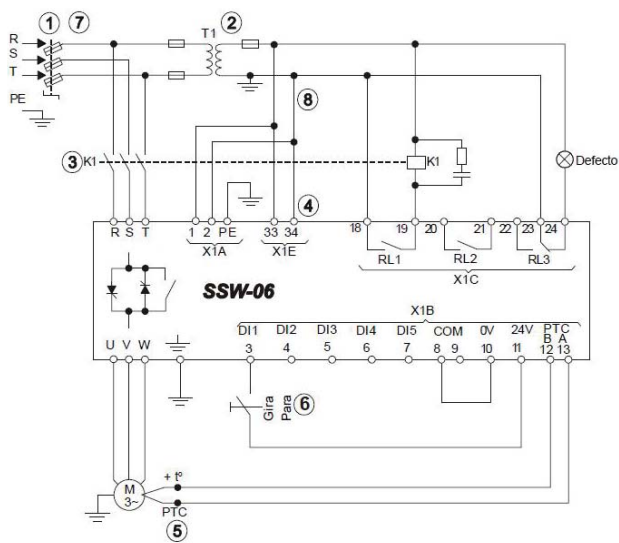
¡NOTA!

La fuente de alimentación auxiliar del SSW06 de +24Vcc debe ser utilizada solamente para alimentación de las entradas digitales.

ACCIONAMIENTOS PROPUESTOS

Accionamiento Propuesto con Comandos por Entradas Digitales a Dos Cables.

P150=0, P220=1, P230=1, P263=1, P277=1, P279=6.



¡NOTA!

El transformador "T1" es opcional y debe ser utilizado cuando hay diferencia entre la tensión de la red de alimentación y la tensión de alimentación de la electrónica y ventiladores.



¡NOTA!

Para proteger el motor de posibles daños causados por cortocircuito en la potencia del SSW06, la protección del motor en esta situación solamente se consigue con el uso del contactor (K1) o del disyuntor (Q1) del aislamiento del energía.



¡NOTA!

X1E (33 y 34) solamente está disponible en los modelos con ventilador.

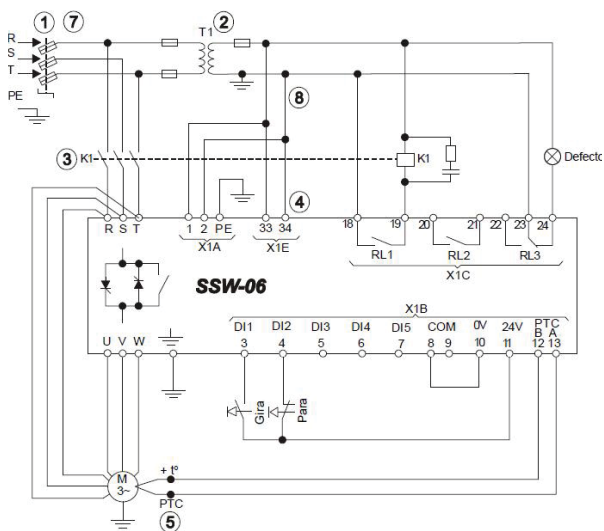


¡NOTA!

Para la protección integral del motor es recomendada la utilización de termistores PTC (PTC en la DI6) o los termostatos (error externo en las DI4 a DI6).

Accionamiento Propuesto con Comandos por Entradas Digitales a Tres Cables y Conexión Dentro del Delta del Motor con Seis Cables.

P150=1, P220=1, P230=1, P263=2, P264=1, P277=1, P279=6.



¡NOTA!

Recordar que al utilizar el comando por entrada digital a dos cables (botón normalmente abierto con retención) siempre que retornar la energía eléctrica, después de una falta, el motor va a arrancar inmediatamente si el botón permanecer cerrado.



¡NOTA!

En caso de mantenimiento es necesario retirar los fusibles de entrada o seccionar la entrada de alimentación para garantizar la completa desconexión del equipamiento de la red de alimentación.



¡NOTA!

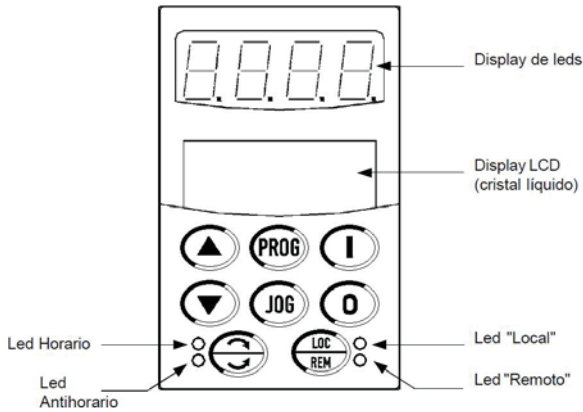
La emergencia puede ser utilizada cortándose la alimentación de la electrónica.



¡NOTA!

Para protección de toda la instalación eléctrica, se requiere el uso de fusibles o de disyuntores en el circuito de entrada. La utilización de fusibles ultra rápidos no son necesarios para el funcionamiento del SSW06, sin embargo la suya utilización es recomendada para la completa protección de los tiristores.

Para más detalles o otros tipos de accionamientos ver Manual del Usuario – Capítulo 3 – Ítem 3.3 – Accionamientos Propuestos.



Teclas de programación:

- Selecciona (conmuta) display entre el número del parámetro y su valor (posición/contenido).
- Aumenta el número del parámetro o valor del parámetro.
- Disminuir el número del parámetro o valor del parámetro.

Tecla de selección de los comandos:

- Selecciona el origen de los comandos / referencia entre LOCAL o REMOTO.
Parámetro: P220 = 2 o 3.

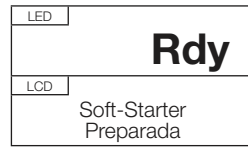
¡NOTA!
Para la programación estándar de fábrica del SSW06, todas las teclas de la HMI están habilitadas cuando el modo Local está seleccionado.

Teclas de los comandos:

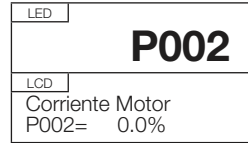
- Acciona el motor (arranque).
Luego del accionamiento, a cada toque, conmuta las indicaciones de acceso rápido en el display.
- Disecciona el motor (parada).
Resetea el SSW06 después de la ocurrencia de errores.
- Invierte el sentido de rotación del motor conmutando entre Horario y Antihorario, vía contactor o apenas para Jog.
Parámetro: P231.
- Cuando presionada realiza la función JOG, (si el SSW06 estuviera deshabilitado y con habilita general activado).
Parámetros: P51X.

¡NOTA!
Estas funciones también se pueden ejecutar por entradas digitales, comunicación, fieldbus, SoftPLC o serial.
Parámetros: P220, P229 y P230.

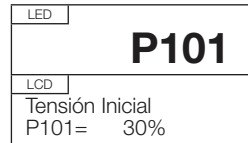
Visualización y modificación de los parámetros:



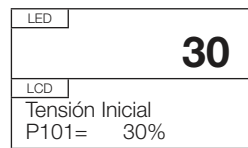
Tela inicial en la energización.
Presionar .



Con las teclas y . Ubicase el parámetro deseado.



Por ejemplo, modificar P101.
Presione a tecla .

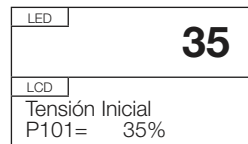


Valor a ser modificado

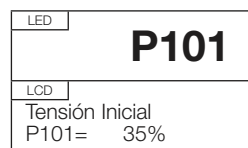


¡NOTA!

Para modificar el valor de un parámetro es necesario ajustar antes P000= Valor de la Contraseña. El valor de la contraseña para el padrón de fábrica es 5. De lo contrario solo será posible visualizar los parámetros pero no modificarlo.



Con las teclas y ajuste el nuevo valor deseado.



Presione a tecla y el valor es salvo.



¡NOTA!

Para los parámetros que pueden ser modificados con el motor girando, el SSW06 pasa a utilizar inmediatamente el nuevo valor ajustado. Para los parámetros que solo pueden ser modificados con el motor parado, el SSW06 pasa a utilizar el nuevo valor ajustado solamente después de presionar la tecla con el motor desaccionado.



¡NOTA!

Caso el valor ajustado en el parámetro lo torne funcionalmente incompatible con otro ya programado ocurrirá el E24 - Error de Programación.

Los parámetros del ajuste del SSW06 pueden ser agrupados de acuerdo con sus funciones:

<p>Mediciones</p> <p>Corriente P001, P002, P003, P030, P031, P032</p> <p>Tensión P004, P007, P033, P034, P035</p> <p>Frecuencia P005</p> <p>Factor de Potencia P008</p> <p>Torque (Par) P009</p> <p>Potencia P010 y P011</p> <p>KWh consumido P044 y P045</p>	<p>Indicaciones</p> <p>Estado del SSW P006</p> <p>Estados de las DIs y DOs P012 y P013</p> <p>Salidas Analógicas P027 e P028</p> <p>Estado Clase Térmica P050</p>	<p>Tipos de Control</p> <p>Selección P202</p> <p>Rampa de Tensión P10X</p> <p>Límite de Corriente P11X</p> <p>Control de Torque P12X</p> <p>Control de Bombas P13X</p>	<p>Entradas y Salidas</p> <p>Entradas Digitales P26X</p> <p>Salidas Digitales P27X</p> <p>Salidas Analógicas P25X</p>	<p>Local / Remoto</p> <p>Selección P220</p> <p>Local P229</p> <p>Remoto P230</p>
<p>Configuración de la HMI</p> <p>Seña P000 y P200</p> <p>Idioma P201</p> <p>Parámetro Mostrado P205</p> <p>Contraste del LCD P218</p>	<p>Configuración de la SSW</p> <p>Conexión Delta P150</p> <p>Bypass Externo P140</p> <p>Tiempo de Auto-reset P206</p>	<p>Funciones Especiais</p> <p>Sentido de Giro P231</p> <p>Frenado P50X</p> <p>Jog P51X</p> <p>Pulso de Arranque P52X</p>	<p>Comunicación</p> <p>Serial P308, P312, P313 y P314</p> <p>Fieldbus P085, P309, P310, P313, P315, P316 y P317</p>	<p>Protecciones</p> <p>Protecciones de Tensión P60X</p> <p>Protecciones Corriente P61X</p> <p>Secuencia de Fase P620</p> <p>Bypass Cerrado P621</p> <p>Tiempo entre Arranques P630</p> <p>Clase Térmica do Motor P64X</p> <p>Protecciones de Torque P65X</p> <p>Protecciones Potencia P66X</p> <p>Protecciones K-PT100 P67X, P68X y P69X</p> <p>Selección entre Error o Alarma P7XX</p>
<p>Datos</p> <p>Versión de Software P023</p> <p>Datos de la SSW P29X</p> <p>Datos del Motor P40X</p>	<p>Backup</p> <p>Carga / Salva P204</p> <p>Función Copy P215</p>	<p>Descripción Sucedió de Fallas</p> <p>Últimos Errores P014 a P019</p> <p>Corriente, Tensión y Estado en la Actuación P06X y P07X</p> <p>Error Actual P020</p> <p>Alarma Actual P021</p>	<p>Diagnósticos</p> <p>Horas Energizado P042</p> <p>Horas Habilitado P043</p> <p>Datos en el Arranque P047, P048, P049, P058 y P059</p> <p>Motor Accionado P053 a P057</p>	<p>SoftPLC</p> <p>Estado P088</p> <p>Permite P089</p> <p>Habilitación P950</p> <p>Expansión de IOs P951</p> <p>Parámetros del Usuario P95X</p>

Para más detalles ver el Manual del Usuario: Referencia Rápida de los Parámetros – I. Parámetros y II. Mensajes de Error o Alarma, Capítulo 6 – Descripción Detallada de los Parámetros y Capítulo 8 – Ítem 8.1 – Errores, Alarmas y Posibles Causas.

Estados del SSW06:



Arrancador Suave listo para ser accionado.



Arrancador Suave con error.



Arrancador Suave con Alarma.



¡ATENCIÓN!

En el primera energización, energizar la electrónica primero, programar los mínimos parámetros necesarios para por el SSW06 en funcionamiento y solamente más adelante energizar la potencia.

- Verifique el suceso de la energización: Cuando el SSW06 es energizado por la primera vez o cuando el padrón de fábrica es cargado (P204 = 5) una rutina de programación es empezada [ver el Manual del Usuario – Capítulo 5 – Figura 5.1 – Secuencia de parámetros en la primera energización].

Esta rutina suministra orientación necesaria al usuario para que programe algunos parámetros básicos referentes al SSW06 y al Motor:

- Idioma [P201].
- Tipo de conexión al motor [P150].
- Tipo de control [Tipos de Control].
- Datos de placa del motor [P40X].
- Protección de Clase Térmica del Motor [P64X].



¡NOTA!

Los demás estados están en el parámetro P006.

PREPARACIÓN PARA ENERGIZACIÓN



¡PERLIGO!

Siempre desconecte la alimentación general antes de efectuar cualquier conexión.

- Verifique todas las conexiones: Verifique si las conexiones de potencia, puesta a tierra y de control están correctas y fijadas.
- Limpie el interior del SSW06: Quite todos los restos de materiales del interior del SSW06 o accionamiento.
- Verifique la correcta selección de tensión de alimentación de los ventiladores.
- Verifique el motor: Verifique las conexiones del motor y se la corriente y tensión del motor están de acuerdo con el SSW06.
- Verifique cual es el tipo de conexión del SSW06 al motor: Si la conexión a ser utilizada es la estándar a tres cables o si la conexión del SSW06 es dentro de la conexión delta del motor a 6 cables.
- Separe mecánicamente el motor de la carga: Si el motor no puede ser separado, esté seguro que el giro en cualquier dirección (horario/antihorario) no cause daños a la maquina o riesgos personales.
- Cierre las tapas del SSW06 o accionamiento

PRIMERA ENERGIZACIÓN

- Verifique la tensión de alimentación: Mida la tensión de red y verifique si está dentro del rango permitido [ver Manual del Usuario – Capítulo 10 – Ítem 10.3 – Datos de la Potencia y Ítem 10.4 – Datos de la Electrónica.
- Energize la alimentación de la electrónica.



¡NOTA!

En esta secuencia de ajuste de parámetros están solamente los principales parámetros para conocimiento del funcionamiento del SSW06.



¡ATENCIÓN!

Es esencial tener en manos los datos de catalogo o de la placa del motor que será utilizado. Estos datos son necesarios para se hacer la correcta programación de los parámetros de protección.



¡ATENCIÓN!

La Clase Térmica de la protección del motor debe ser programada para proteger el motor contra sobrecargas durante el arranque y el régimen pleno de funcionamiento.

- Cierre la seccionadora de entrada de la potencia.
- Verifique las tensiones de alimentación de la potencia en los parámetros P004, P033, P034 y P035.

Para más detalles da puesta en marcha ver Manual del Usuario – Capítulo 5 – Ítem 5.3 – Puesta en Marcha.

Para ejemplos de programación de los tipos de control con diferentes tipos de cargas, ver Manual del Usuario – Capítulo 7.

PORTUGUÊS

GUIA RÁPIDO DE INSTALAÇÃO DA SSW06

INSTRUÇÕES DE SEGURANÇA



PERIGO!

Somente pessoas com qualificação adequada e familiaridade com a SSW06 e equipamentos associados devem planejar ou implementar a instalação, partida, operação e manutenção deste equipamento. Estas pessoas devem seguir todas as instruções de segurança contidas nos manuais do produto e/ou definidas por normas locais. Não seguir as instruções de segurança pode resultar em risco de vida e/ou danos no equipamento.



NOTA!

Para os propósitos deste guia, pessoas qualificadas são aquelas treinadas de forma a estarem aptas para:

- Instalar, aterrar, energizar e operar a SSW06 de acordo com os manuais do produto e os procedimentos legais de segurança vigentes.
- Usar os equipamentos de proteção de acordo com as normas estabelecidas.
- Prestar serviços de primeiros socorros.



PERIGO!

Sempre desconecte a alimentação geral antes de tocar qualquer componente elétrico associado a SSW06. Altas tensões e partes girantes (ventiladores) podem estar presentes mesmo após a desconexão da alimentação. Aguarde pelo menos 3 minutos para a descarga completa dos capacitores e parada dos ventiladores. Sempre conecte a carcaça do equipamento ao terra de proteção (PE) no ponto adequado para isto.



ATENÇÃO!

Os cartões eletrônicos possuem componentes sensíveis a descargas eletrostáticas. Não toque diretamente sobre componentes ou conectores. Caso necessário, toque antes na carcaça metálica aterrada ou utilize pulseira de aterramento adequada.



PERIGO!

Não execute nenhum ensaio de tensão aplicada a SSW06! Caso seja necessário consulte o fabricante.

RECEBIMENTO E ARMAZENAMENTO

Ao receber o produto verifique se:

- A etiqueta de identificação da SSW06 corresponde ao modelo comprado.
- Ocorreram danos durante o transporte. Caso for detectado algum problema, contate imediatamente a transportadora.
- Se a SSW06 não for logo instalada, mantenha-a dentro da embalagem fechada e armazene em um lugar limpo e seco (temperatura entre -25°C e 65°C).

INSTALAÇÃO MECÂNICA

A SSW06 deve ser montada em um ambiente livre de:

- Exposição direta a raios solares, chuva, umidade excessiva ou Maresia.
- Gases e líquidos explosivos ou corrosivos.
- Vibração excessiva, poeira ou partículas metálicas e/ou óleos suspensos no ar.

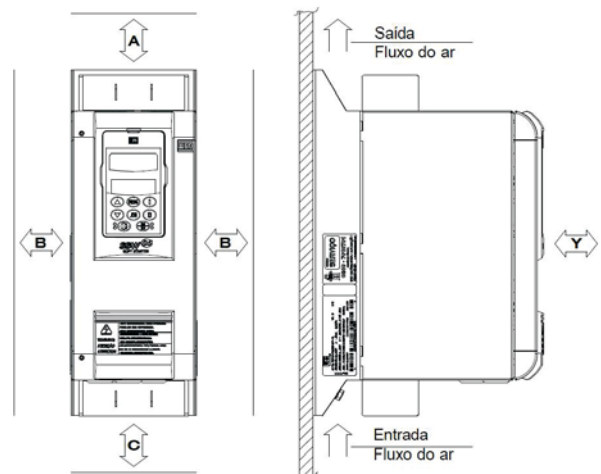
Condições Ambientais Permitidas:

- Temperatura: 0°C a 55°C - modelos de 10A a 820A; 0°C a 40°C - modelos de 950A a 1400A.
- Umidade relativa do ar: 5% a 90% sem condensação.
- Grau de poluição: 2 (conforme UL508).

Para mais dados ver Manual do Usuário – Capítulo 3 – item 3.1.1 – Condições Ambientais.

Posicionamento e Fixação:

Para a instalação da SSW06 deve-se deixar no mínimo os espaços livres ao redor conforme mostrado a seguir:



Modelo	A mm(in)	B mm(in)	C mm(in)	Y mm(in)
SSW06.0010 a SSW06.0950	150 (5,90)	30 (1,18)	150 (5,90)	50 (1,96)
SSW06.1100 e SSW06.1400	150 (5,90)	100 (3,93)	150 (5,90)	50 (1,96)

- Instale a SSW06 em uma superfície plana.
- Não colocar componentes sensíveis ao calor logo acima da SSW06.



ATENÇÃO!

Prever conduítes ou calhas independentes para a separação física dos condutores de sinal, controle e potência. Afastar os equipamentos e fiação sensíveis em 0,25m da SSW06, cabos entre SSW06 e motor.

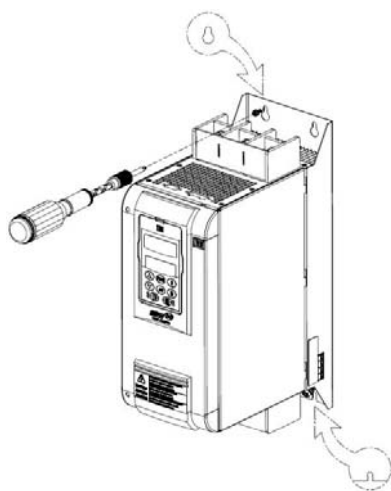
Montagem em Pannel:

Para instalar a SSW06 dentro de painéis ou caixas metálicas fechadas, prever exaustão adequada para que a temperatura fique dentro da faixa permitida [ver Manual do Usuário – Capítulo 3 – item 3.1.3.1 – Montagem em Pannel – Tabelas 3.3 a 3.5].

Montagem em Superfície:

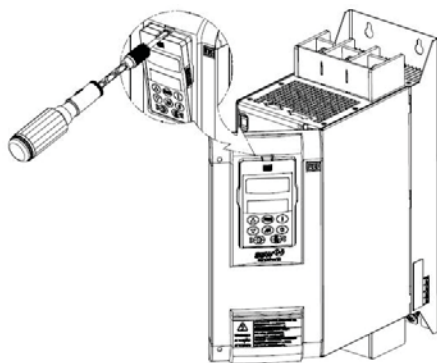
Instalação da SSW06 na superfície de uma placa de montagem.

Colocar primeiro os parafusos na superfície onde a SSW06 será instalada. Instalar a SSW06 e apertar os parafusos.



Dimensões externas, furações e parafusos de fixação da SSW06 são mostrados no Manual de Usuário – Capítulo 3 – Item 3.1.2 – Dimensões da SSW06.

Procedimento de remoção da HMI e tampa protetora das conexões de controle.



INSTALAÇÃO ELÉTRICA



PERIGO!

Certifique-se que a rede de alimentação esteja desconectada antes de iniciar as ligações.



ATENÇÃO!

As informações descritas nos manuais da SSW06 têm a intenção de servir como guia para se obter uma instalação correta. Siga também as normas de instalações elétricas aplicáveis.



PERIGO!

A SSW06 não pode ser utilizada como mecanismo para parada de emergência.

Bornes de Potência:

Os bornes de conexão de potência podem assumir tamanhos e configurações diferentes dependendo do modelo da SSW06 [ver Manual de Usuário – Capítulo 3 – Item 3.2.1 – Bornes de Potência – Figuras 3.8x – Bornes de potência, Tabela 3.5 – Máximo torque nos parafusos de potência e Figuras 3.9x – Localização das Conexões].

R / 1L1, S / 3L2 e T / 5L3: Rede de alimentação da potência.

U / 2T1, V / 4T2 e W / 6T3: Conexão para o motor.

Cabos da Potência e Aterramentos:



NOTA!

Para o correto dimensionamento dos cabos, levar em conta as condições de instalação, máxima queda de tensão permitida, e utilizar normas de instalações elétricas aplicáveis.

Para mais detalhes ver Manual de Usuário – Capítulo 3 – Item 3.2.3 – Cabos de potência e aterramento sugeridos – Tabelas 3.6 e 3.7.

Conexão da Rede de Alimentação de Potência à SSW06:



PERIGO!

A tensão de rede deve ser compatível com a tensão nominal da SSW06. Modelos de 220 a 575 Vca ou modelos de 575 a 690 Vca.



PERIGO!

Prever um equipamento para seccionamento da alimentação da SSW06. Este deve seccionar a rede de alimentação para a SSW06 em casos de emergência ou manutenção.

Capacidade da Rede de Alimentação [ver Manual do Usuário – Capítulo 3 – Item 3.2.4.1. – Capacidade da Rede de Alimentação].

Fusíveis Recomendados [ver Manual do Usuário – Capítulo 3 – Item 3.2.4.2. – Fusíveis Recomendados].

Conexão da SSW06 ao Motor:



PERIGO!

Capacitores de correção do fator de potência nunca podem ser instalados na saída da SSW06 (U / 2T1, V / 4T2 e W / 6T3).

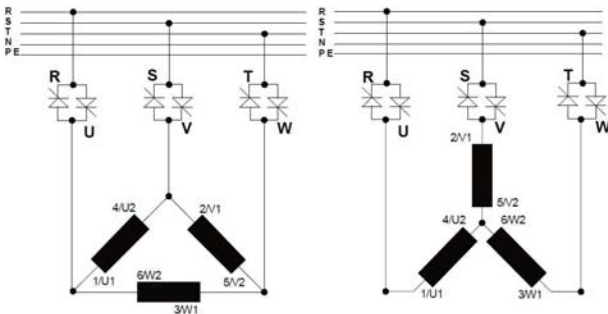


ATENÇÃO!

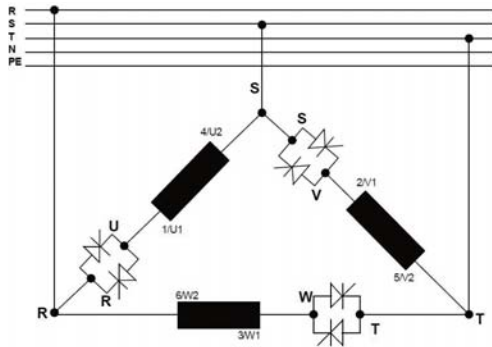
A corrente nominal do motor não deve ser inferior à 30% da corrente nominal da SSW06.

Tipos de ligação ao motor:

Ligação Padrão da SSW06 ao Motor com Três Cabos (P150=0=Inativa)



Ligação da SSW06 Dentro da Ligação Delta do Motor com Seis Cabos (P150=1=Ativa)



ATENÇÃO!

Muita atenção na conexão do motor à SSW06, respeite os esquemas de ligação mostrados no Manual de Usuário – Capítulo 3 – Item 3.2.5 – Conexão da SSW06 ao motor.

Na conexão dentro da ligação delta do motor, caso necessário, inverta o sentido de giro apenas nas conexões de entrada da alimentação.



PERIGO!

A conexão dentro da ligação delta do motor não pode ser utilizada em tensões acima de 575 Vca.



PERIGO!

Não acione o motor com o conteúdo de P150 errado. Se este parâmetro for programado errado poderá danificar a SSW06.

Conexões de Aterramento:



PERIGO!

As SSW06 devem ser obrigatoriamente aterradas a um terra de proteção (PE). A conexão de aterramento deve seguir as normas locais (resistência ≤ 10 ohms).



ATENÇÃO!

As SSW06 podem ser utilizadas em redes de alimentação aterradas do tipo TT ou TN (IEC) ou em redes do tipo IT desde que aterradas via uma impedância.



PERIGO!

Não utilize o condutor de neutro para aterramento. Utilize um condutor específico para o aterramento.

Para mais detalhes ver Manual de Usuário – Capítulo 3 – Item 3.2.6 – Conexões de Aterramento.

Conexões dos Ventiladores:

Disponível nos modelos acima de 255A. Nos modelos de 255A a 820A pode-se selecionar tensão nominal dos ventiladores através de uma chave seletora. Nos modelos de 950A a 1400A a seleção de tensão é fixa, conforme especificação do produto.

Para mais detalhes ver Manual de Usuário – Capítulo 3 – Item 3.2.7 – Conexões dos Ventiladores.

Conexões de Sinal e Controle:

Todas as entradas e saídas da SSW06 são programáveis. Os detalhes das conexões estão disponíveis no Manual de Usuário – Capítulo 3 – Item 3.2.8 – Conexões de Sinal e Controle.



PERIGO!

Nunca aplique tensões elevadas as entradas digitais.



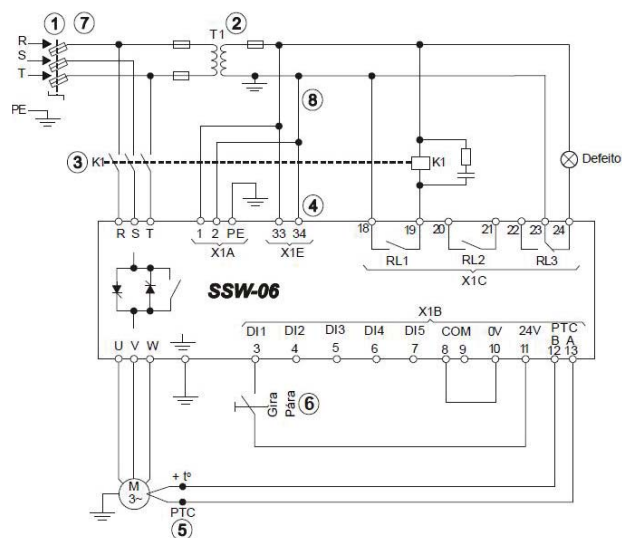
NOTA!

A fonte de alimentação auxiliar da SSW06 de +24Vcc deve ser utilizada somente para alimentação das entradas digitais.

ACIONAMENTO SUGESTIVO

Acionamento Sugestivo com Comandos por Entradas Digitais a Dois Fios.

P150 = 0, P220=1, P230=1, P263=1, P277=1, P279=6.



NOTA!

O transformador "T1" é opcional e deve ser utilizado quando houver diferença entre a tensão da rede de alimentação e a tensão de alimentação da eletrônica e ventiladores.



NOTA!

Na eventualidade de danos no circuito de potência da SSW06, que mantenham o motor acionado por curto-circuito, a proteção do motor nesta situação só é obtida com a utilização do contactor (K1) ou disjuntor (Q1) de isolamento da potência.



NOTA!

X1E (33 e 34) apenas está disponível nos modelos com ventilador.

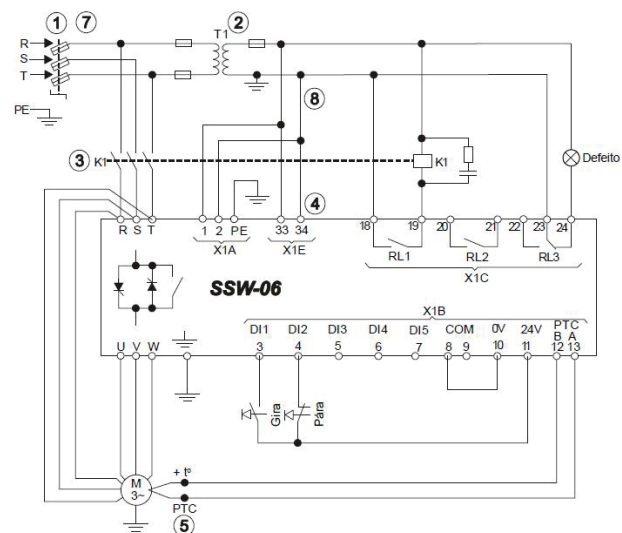


NOTA!

Para a proteção integral do motor é recomendada a utilização de termistores PTC (PTC na DI6) ou termostatos (erro externo nas DI4 a DI6).

Acionamento Sugestivo com Comandos por Entradas Digitais a Três Fios e Conexão Dentro do Delta do Motor com Seis Cabos.

P150=1, P220=1, P230=1, P263=2, P264=1, P277=1, P279=6.



NOTA!

Lembre-se que ao utilizar comando por entrada digital a dois fios (chave normalmente aberta com retenção) sempre que retornar a energia elétrica, após uma falta, o motor irá partir imediatamente se a chave permanecer fechada.



NOTA!

Em caso de manutenção, na SSW06 ou no motor, é necessário retirar os fusíveis de entrada ou seccionar a entrada de alimentação para garantir a completa desconexão do equipamento da rede de alimentação.



NOTA!

A emergência pode ser utilizada cortando-se a alimentação da eletrônica.

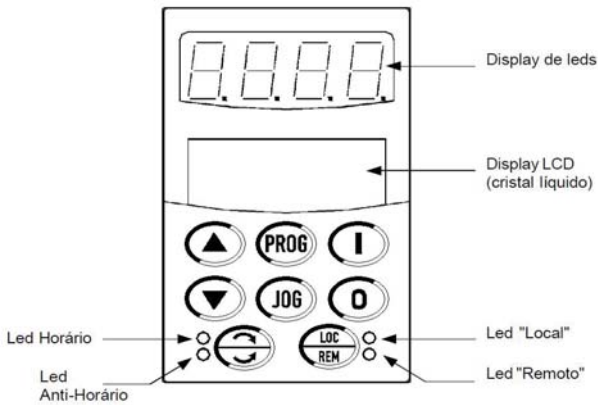
Para mais detalhes ou outros tipos de acionamentos ver Manual de Usuário – Capítulo 3 – Item 3.3 – Acionamentos Sugestões.



NOTA!

Para proteção de toda a instalação elétrica, requer-se o uso de fusíveis ou disjuntores no circuito de entrada. O emprego de fusíveis ultra-rápidos não é necessário para o funcionamento da SSW06, porém a sua utilização é recomendada para a completa proteção dos tiristores.

USO DA HMI



Teclas de programação:

- Seleciona display entre número do parâmetro e seu valor (posição / conteúdo).
- Aumenta o número do parâmetro ou valor do parâmetro.
- Diminui o número do parâmetro ou valor do parâmetro.

Tecla de seleção de comandos:

- Seleciona a origem dos comandos entre LOCAL ou REMOTO.
Parâmetro: P220 = 2 ou 3.



NOTA!
Na programação padrão de fábrica os comandos por teclas da HMI estão habilitados quando o modo Local estiver selecionado.

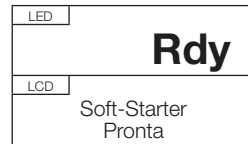
Teclas de comandos:

- Aciona o motor (partida).
Após o acionamento, a cada toque, comuta as indicações de acesso rápido no display.
- Desaciona o motor (parada).
Reseta a SSW06 após a ocorrência de erros.
- Inverte o sentido de rotação do motor comutando entre Horário e Anti-Horário, via contator ou apenas para Jog.
Parâmetro: P231.
- Quando pressionada realiza a função JOG (se o motor estiver desabilitado, a SSW06 estiver com Habilita Geral ativado e Jog ativo).
Parâmetros: P51X.

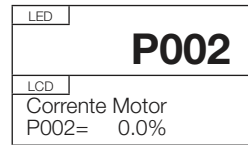


NOTA!
Estas funções podem ser também executadas, por entradas digitais, comunicação serial, fieldbus ou SoftPLC.
Parâmetros: P220, P229 e P230.

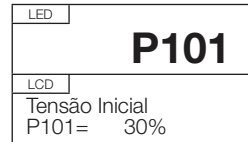
Visualização e alteração de parâmetros:



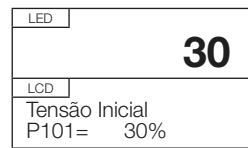
Tela inicial ao ser energizada.
Pressionar .



Através das teclas e localize o parâmetro desejado.



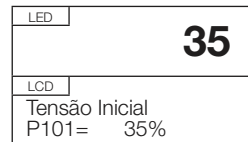
Por exemplo, alterar P101.
Pressione a tecla .



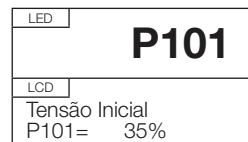
Valor a ser alterado.



NOTA!
Para alterar o valor de um parâmetro é necessário ajustar antes P000 = Valor da Senha. O Valor da senha para o padrão de fábrica é 5. Caso contrário só será possível visualizá-los, mas não modificá-los.



Através das teclas e altere o conteúdo do parâmetro.



Pressione a tecla e valor é salvo.



NOTA!
Para os parâmetros que podem ser alterados com motor girando, a SSW06 passa a utilizar imediatamente o novo valor ajustado.
Para os parâmetros que só podem ser alterados com motor parado, a SSW06 passa a utilizar o novo valor ajustado somente após pressionar a tecla com o motor desacionado.



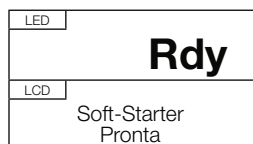
NOTA!
Caso o valor ajustado no parâmetro o torne funcionalmente incompatível com outro já programado ocorrerá o E24 - Erro de Programação.

Os parâmetros de ajuste da SSW06 podem ser agrupados da seguinte forma de acordo com suas funções:

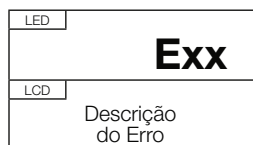
<p>Medições</p> <p>Corrente P001, P002, P003, P030, P031, P032</p> <p>Tensão P004, P007, P033, P034, P035</p> <p>Frequência P005</p> <p>Fator de Potência P008</p> <p>Torque P009</p> <p>Potência P010 e P011</p> <p>KWh consumindo P044 e P045</p>	<p>Indicações</p> <p>Estado da SSW P006</p> <p>Estados das DIs e DOs P012 e P013</p> <p>Saídas Analógicas P027 e P028</p> <p>Estado Classe Térmica P050</p>	<p>Tipos de Controle</p> <p>Seleção P202</p> <p>Rampa de Tensão P10X</p> <p>Limitação de Corrente P11X</p> <p>Controle de Torque P12X</p> <p>Controle de Bombas P13X</p>	<p>Entradas e Saídas</p> <p>Entradas Digitais P26X</p> <p>Saídas Digitais P27X</p> <p>Saídas Analógicas P25X</p>	<p>Local / Remoto</p> <p>Seleção P220</p> <p>Local P229</p> <p>Remoto P230</p>
<p>Configurações da HMI</p> <p>Senha P000 e P200</p> <p>Idioma P201</p> <p>Parâmetro Mostrado P205</p> <p>Ajuste do Display P218</p>	<p>Configurações da SSW</p> <p>Conexão delta P150</p> <p>Bypass externo P140</p> <p>Tempo de auto-reset P206</p>	<p>Funções Especiais</p> <p>Sentido de Giro P231</p> <p>Frenagem P50X</p> <p>Jog P51X</p> <p>Kick Start P52X</p>	<p>Comunicação</p> <p>Serial P308, P312, P313 e P314</p> <p>Fieldbus P085, P309, P310, P313, P315, P316 e P317</p>	<p>Proteções</p> <p>Proteções de Tensão P60X</p> <p>Proteções de Corrente P61X</p> <p>Seqüência de Fase P620</p> <p>Bypass Fechado P621</p> <p>Intervalo entre Partidas P630</p> <p>Classe Térmica do Motor P64X</p> <p>Proteções de Torque P65X</p> <p>Proteções de Potência P66X</p> <p>Proteções do K-PT100 P67X, P68X e P69X</p> <p>Seleção entre Erro ou Alarme P7XX</p>
<p>Dados</p> <p>Versão de Software P023</p> <p>Dados da SSW P29X</p> <p>Dados do Motor P40X</p>	<p>Backup</p> <p>Carrega / Salva P204</p> <p>Função Copy P215</p>	<p>Histórico de Falhas</p> <p>Últimos Erros P014 a P019</p> <p>Corrente, Tensão e Estado na Atuação P06X e P07X</p> <p>Erro Atual P020</p> <p>Alarme Atual P021</p>	<p>Diagnósticos</p> <p>Horas Energizado P042</p> <p>Horas Habilitado P043</p> <p>Dados de Partida P047, P048, P049, P058 e P059</p> <p>Motor Acionado P053 a P057</p>	<p>SoftPLC</p> <p>Estado P088</p> <p>Permite P089</p> <p>Habilitação P950</p> <p>Expansão de IOs P951</p> <p>Parâmetros de Usuário P95X</p>

Para mais detalhes ver o Manual de Usuário: Referência Rápida dos Parâmetros – I. Parâmetros e II. Mensagens de Erro ou Alarme, Capítulo 6 – Descrição Detalhada dos Parâmetros e Capítulo 8 – Item 8.1 – Erros, Alarmes e Possíveis Causas.

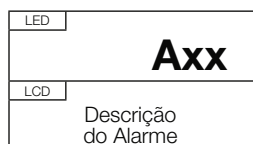
Estados da SSW06:



Soft-Starter pronta para ser acionada, "ready".



Soft-Starter com erro.



Soft-Starter com Alarme.



NOTA!

Os demais estados de funcionamento da SSW06 podem ser visualizados através do parâmetro P006.

PREPARAÇÃO PARA ENERGIZAÇÃO



PERIGO!

Sempre desconecte a alimentação geral antes de efetuar quaisquer conexões.

- Verifique todas as conexões: Verifique se as conexões de potência, aterramento e de controle estão corretas e firmes.
- Limpe o interior da SSW06: Retire todos os restos de materiais do interior da SSW06 ou acionamento.
- Verifique a correta seleção de tensão de alimentação dos ventiladores.
- Verifique o motor: Verifique as conexões do motor e se a corrente e tensão do motor estão de acordo com a SSW06.
- Verifique qual o tipo de ligação da SSW06 ao motor: Se a ligação a ser utilizada é a standard a três fios ou se a ligação da SSW06 é dentro da ligação delta do motor a 6 fios.
- Desacople mecanicamente o motor da carga: Se o motor não pode ser desacoplado, tenha certeza que o giro em qualquer direção (horário/anti-horário) não cause danos à máquina ou riscos pessoais.
- Feche as tampas da SSW06 ou do acionamento.

PRIMEIRA ENERGIZAÇÃO

- Verifique as tensões de alimentação: Meça a tensão da rede de alimentação e verifique se está dentro das faixas permitidas [ver Manual de Usuário – Capítulo 10 – Item 10.3 – Dados da Potência e Item 10.4 – Dados da Eletrônica.
- Energize a alimentação da eletrônica.



ATENÇÃO!

Na primeira energização, energizar primeiro a eletrônica, programar os mínimos parâmetros necessários para por a SSW06 em funcionamento e somente depois energizar a potência.

- Verifique o sucesso da energização: Quando a SSW06 é energizada pela primeira vez ou quando o padrão de fábrica é carregado (P204 = 5) uma rotina de programação é iniciada [ver o Manual de Usuário – Capítulo 5 – Figura 5.1 – Sequência de parâmetros da primeira energização].

Esta rotina solicita ao usuário que programe alguns parâmetros básicos referentes a SSW06 e ao Motor:

- Idioma [P201].
- Tipo de conexão ao motor [P150].
- Tipo de controle [Tipos de Controle].
- Dados de placa do motor [P40X].
- Proteção de Classe Térmica do Motor [P64X].



NOTA!

Nesta seqüência de ajuste de parâmetros estão apenas os principais parâmetros para aprendizagem do funcionamento da SSW06.



ATENÇÃO!

É essencial ter em mãos os dados de catálogo e de placa do motor a ser utilizado. Estes dados são necessários para se fazer a correta programação dos parâmetros de proteção.



ATENÇÃO!

A Classe Térmica de proteção do motor deve ser programada para proteger o motor contra sobrecargas durante a partida e regime pleno de funcionamento.

- Feche a seccionadora de entrada da potência.
- Verifique as tensões de alimentação da potência através dos parâmetros P004, P033, P034 e P035.

Para mais detalhes da colocação em funcionamento ver Manual de Usuário – Capítulo 5 – Item 5.3 – Colocação em funcionamento.

Para exemplos de programação dos tipos de controle com diferentes tipos de cargas, ver Manual do Usuário – Capítulo 7.

DEUTSCH
KURZE INSTALLATIONSANLEITUNG DES SSW06

SICHERHEIT ANWEISUNGEN



GEFAHR!

Nur fachlich qualifiziertes Personal sollte die Installation, Inbetriebnahme und Wartung des Sanftanlaufgerätes SSW-06 planen oder ausführen. Alle hier erwähnten Sicherheitshinweise, sowie gesetzliche Vorschriften sind strikt zu befolgen. Das Zuwiderhandeln kann zu Lebensgefahr und/oder Sachschäden führen.



HINWEIS!

Unter fachlich qualifiziertem Personal verstehen sich Personen mit folgenden Kenntnissen:

- Installation, Erdung, Inbetriebnahme und Betrieb des Sanftanlaufgerätes SSW-06 entsprechend der Bedienungsanleitungen und den gesetzlichen Sicherheitsvorschriften..
- Schutzvorrichtung müssen entsprechen den lokalen Vorschriften verwendet werden.
- Beherrschen der Ersten-Hilfe-Maßnahmen.



GEFAHR!

Vor jeglicher Installations- oder Wartungsarbeit ist das Sanftanlaufgerät SSW-06 spannungsfrei zu schalten. Lüfter und Kondensatoren führen auch nach der Netztrennung noch Spannung. Warten Sie auf jedem Fall 3 Minuten, um das Entladen der Kondensatoren und den Auslauf der Lüfter sicherzustellen. Das Gehäuse muss an den vorgeschriebenen Stellen geerdet werden.



ACHTUNG!

Alle Leiterkarten enthalten ESD empfindliche Bauteile. Berühren Sie niemals diese Bauteile oder die Steckverbindungen. Falls eine Berührung notwendig ist, achten Sie auf eine einwandfreie Erdung des Gehäuses und verwenden sie unbedingt ein Erdungsarmband.



GEFAHR!

Führen Sie keine Hochspannungstests am Sanftanlaufgerät SSW-06 durch. Falls ein solcher Test notwendig ist, halten Sie unbedingt Rücksprache mit dem Hersteller.

EMPFANG UND LAGERUNG

Überprüfen Sie:

- Entspricht das Typenschild der Bestellung?
- Wurde das Gerät beim Transport beschädigt? Falls ja, verständigen Sie umgehend den Spediteur.
- Falls das Sanftanlaufgerät nicht bald installiert wird, lassen Sie es in der Verpackung und lagern sie es in einem sauberen und trockenen Raum. (Temperatur zwischen -25°C und 65°C)

EINBAU

Der Einbauort muss geschützt sein vor:

- Direkter Sonneneinstrahlung, Regen, starker Feuchtigkeit oder starkem Salzgehalt.
- Korrosive Gase oder Flüssigkeiten.
- Starke Schwingungen, Staub oder Metallpartikel und/oder Öltröpfen in der Luft.

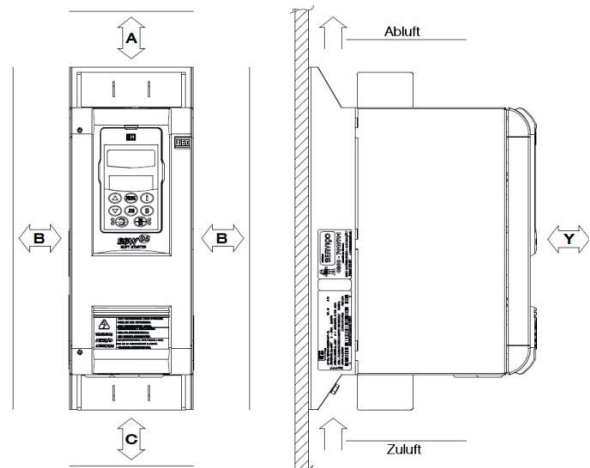
Zulässige Umgebungsbedingungen:

- Temperatur: 0°C bis 55°C – Modelle von 10A bis 820A; 0°C bis 40°C - Modelle von 950A bis 1400A.
- Relative Luftfeuchtigkeit: 5% bis 90% ohne Kondensation.
- Verschmutzungsgrad: 2 (nach UL508).

Für weitere Einzelheiten, siehe Bedienungsanleitung - Kapitel 3.1.1 – Umgebungsbedingungen.

Positionierung und Befestigung:

Beim Einbau des SSW06 sind mindestens die in Bild 3.2 genannten Freiräume zu lassen:



Modelle	A mm (in)	B mm (in)	C mm (in)	Y mm (in)
SSW06.0010 bis SSW06.0950	150 (5,90)	30 (1,18)	150 (5,90)	50 (1,96)
SSW06.1100 bis SSW06.1400	150 (5,90)	100 (3,93)	150 (5,90)	50 (1,96)

- Bauen Sie das Sanftanlaufgerät SSW-06 auf einer geraden Oberfläche ein.
- Platzieren Sie keine wärmeempfindlichen Bauteile direkt über dem SSW-06.



ACHTUNG!

Für die Signal- / Steuerleitungen und die Leistungskabel sind separate Kabelkanäle vorzusehen. Bei empfindlichen Geräte und Leitungen ist ein Abstand von 0,25m zum SSW06 oder den Motorkabeln einzuhalten.

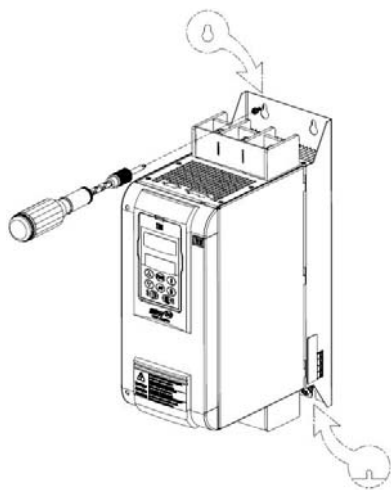
Montage im Schaltschrank:

Wenn das Sanftanlaufgerät SSW-06 in einem Schaltschrank oder einem geschlossenem Gehäuse eingebaut wird, ist eine Lüftung derart vorzusehen, dass die maximale Umgebungstemperatur nicht überschritten wird [Siehe Bedienungsanleitung – Kapitel 3.1.3.1 – Montage im Schaltschrank – Tabellen 3.3 bis 3.5].

Montage auf einer Einbauplatte:

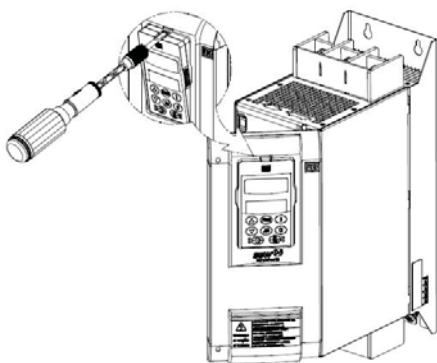
Installation des SSW06 auf ein Einbauplatte.

Zuerst die Befestigungsschrauben vorbereiten, das SSW06 einhängen und dann die Schrauben anziehen.



Abmessungen, Befestigungspunkte und Schrauben für den Einbau des SSW06 werden in der Bedienungsanleitung – Kapitel 3.1.2 – Abmessungen des SSW06 beschrieben.

Entnahme der Fernbedienung und öffnen des Deckels.



ELEKTRISCHER ANSCHLUSS



GEFAHR!

Überprüfen Sie ob die Spannungsversorgung freigeschaltet ist, bevor Sie mit dem Anschließen beginnen.



ACHTUNG!

Die folgenden Informationen dienen einer korrekten Installation. Die gesetzlichen Vorschriften zur elektrischen Installation sind zu beachten.



GEFAHR!

Das Sanftanlaufgerät SSW-06 darf nicht als Notstopp Mechanismus verwendet werden.

Leistungsanschlüsse:

Die Leistungsanschlüsse haben unterschiedliche Größen und die Position kann sich je nach Modell ändern [Siehe Bedienungsanleitung – Kapitel – Leistungsanschlüsse – Bild 3.8x – Leistungsanschlüsse, Tabelle 3.5 – Maximales Drehmoment der Schrauben an den Leistungsanschlüssen und Bild 3.9x – Lage der Leistungsanschlüsse, Erdung, Steueranschlüsse und des Spannungswahlschalter der Lüfter].

R / 1L1, S / 3L2 e T / 5L3: Leistungsanschluss der Drehstromversorgung.

U / 2T1, V / 4T2 e W / 6T3: Motoranschluss.

Leistungs- und Erdungskabel:



HINWEIS!

Für die korrekte Auslegung der Kabel muss den Rahmenbedingungen der Installation Rechnung getragen werden und der maximal zulässige Spannungsabfall berücksichtigt werden.

Für weitere Einzelheiten siehe Bedienungsanleitung – Kapitel 3.2.3 – Leistungs und Erdungskabel – Tabelle 3.6 und 3.7.

Anschluss der Drehstromversorgung an das SSW06:



GEFAHR!

Die Spannung der Drehstromversorgung muss dem Nennspannungsbereich des Sanftanlaufgerätes entsprechen. Modelle von 220 bis 575 V oder Modelle von 575 bis 690 V.



GEFAHR!

Sehen sie ein Vorrichtung zum Freischalten des Sanftanlaufgrätes vor. Bei Bedarf muss das SSW06 vom Netz getrennt werden können..

Kurzschlussleistung der Drehstromversorgung [Siehe Bedienungsanleitung – Kapitel 3.2.4.1. – Kurzschlussleistung der Drehstromversorgung].

Empfohlene Sicherungen [Siehe Bedienungsanleitung – Kapitel 3.2.4.2. – Empfohlene Sicherungen].

Anschluss des Motors an das SSW-06:



GEFAHR!

Kondensatoren zur Leistungsfaktorkorrektur dürfen niemals am Motorschluss installiert werden (U / 2T1, V / 4T2 und W / 6T3).



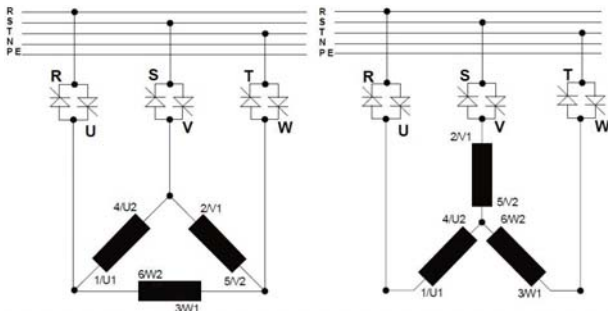
ACHTUNG!

Der Nennstrom des Motors muss mindestens 30% des Nennstromes des SSW06 betragen.

Art des Motoranschlusses:

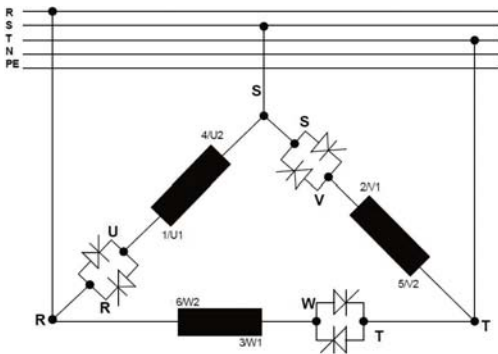
Standardanschluss.

(P150=0=Aus)



Wurzel-3-Schaltung

(P150=1=Ein)



ACHTUNG!

Das Anschlussschema des Motors an das SSW06 muss gemäß Bedienungsanleitung – Kapitel 3.2.5 - Anschluss des Motors an das SSW06 genau befolgt werden. In Wurzel-3-Schaltung, falls die Drehrichtung des Motors geändert werden muss, so sind 2 Phasen der Drehstromversorgung zu tauschen.



GEFAHR!

Die Wurzel-3-Schaltung darf nicht bei Spannungen größer als 575V verwendet werden.



GEFAHR!

Schalten Sie den Motor niemals mit dem falschen Wert P150 ein. In diesem Fall kann das SSW06 beschädigt werden.

Erdungsanschluss:



GEFAHR!

Der Erdanschluss des Sanftanlaufgerätes SSW-06 muss an einen Erdleiter angeschlossen werden. Die Erdung muss den örtlichen Vorschriften entsprechen (Widerstand ≤ 10 Ohm).



ACHTUNG!

Die SSW06 können an geerdete TT oder TN Netze (IEC) oder an hochohmig geerdete IT Netze angeschlossen werden.



GEFAHR!

Verwenden Sie nie den Neutralleiter zur Erdung. Es ist ein Erdungsanschluss vorzusehen.

Für weitere Einzelheiten siehe Bedienungsanleitung – Kapitel 3.2.6 – Erdungsanschluss.

Lüfteranschluss:

Die Modelle ab 255A haben Lüfter. Bei den Modellen von 255A bis 820A kann die Lüfterspannung gewählt werden. Ab 950A muss der Lüfter gemäß der Modellspezifikation angeschlossen werden.

Für weitere Einzelheiten siehe Bedienungsanleitung – Kapitel 3.2.7 – Lüfteranschluss.

Steuerungsanschluss:

Alle Ein- und Ausgänge des SSW06 sind programmierbar. Für weitere Einzelheiten siehe Bedienungsanleitung – Kapitel 3.2.8 – Steuerungsanschluss.



GEFAHR!

Es dürfen keine hohen Spannungen an die digitalen Eingänge angelegt werden.



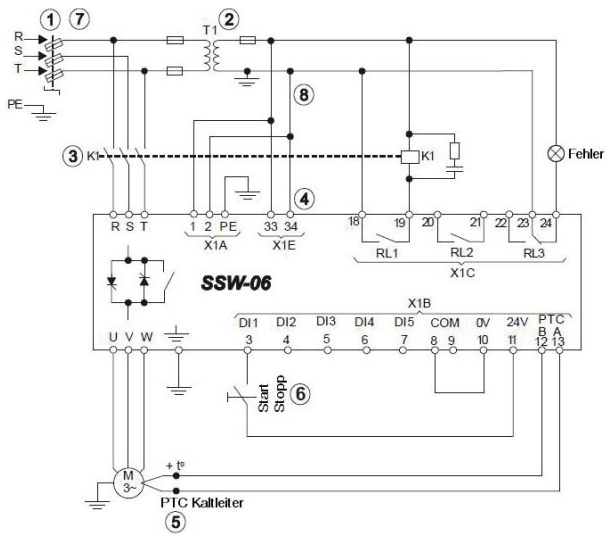
HINWEIS!

Die 24V Spannungsversorgung des SSW06 darf nur für die digitalen Eingänge verwendet werden.

ANWENDUNGSBEISPIELE

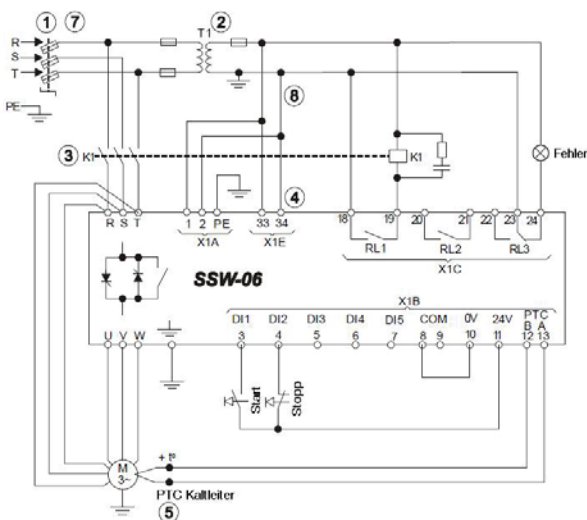
Anwendungsbeispiel mit Schaltersteuerung.

P150 = 0, P220=1, P230=1, P263=1, P277=1, P279=6.



Anwendungsbeispiel mit Tastersteuerung und Wurzel-3-Schaltung.

P150=1, P220=1, P230=1, P263=2, P264=1, P277=1, P279=6.



HINWEIS!

Für den Schutz der elektrischen Installation sind Sicherungen an der Versorgung vorzusehen. Für die Funktion des SSW06 sind keine Halbleitersicherungen erforderlich, sie werden aber dringend empfohlen, um die Thyristoren zu schützen.



HINWEIS!

Der Transformator "T1" ist dann erforderlich, wenn die Spannung der Drehstromversorgung nicht der Versorgungsspannung der Elektronik und der Lüfter entspricht.



HINWEIS!

Im Falle eines Kurzschlusses im Leistungsteil des SSW06 kann der Motor Strom führen. Der Schutz des Motor muss in diesem Fehlerfall von dem Schütz (K1) oder dem Motorschutzschalter (Q1) erfolgen.



HINWEIS!

Die Klemme X1E (33 und 34) ist nur bei Modellen mit Lüfter vorhanden.



HINWEIS!

Für einen kompletten Motorschutz wird empfohlen, den Kaltleitereingang (PTC) DI6 zu benutzen oder Thermostate (externer Fehler an DI4 bis DI6) zu verschalten.



HINWEIS!

Es wird darauf hingewiesen, dass bei der Start / Stopp Steuerung über einen Schalter, der Motor sofort wieder hochläuft, wenn nach einem Spannungsausfall die Spannung wiederkehrt und der Schalter geschlossen ist.



HINWEIS!

Im Falle der Wartung des SSW06 oder des Motors ist das Sanftanlaufgerät spannungsfrei zu schalten.

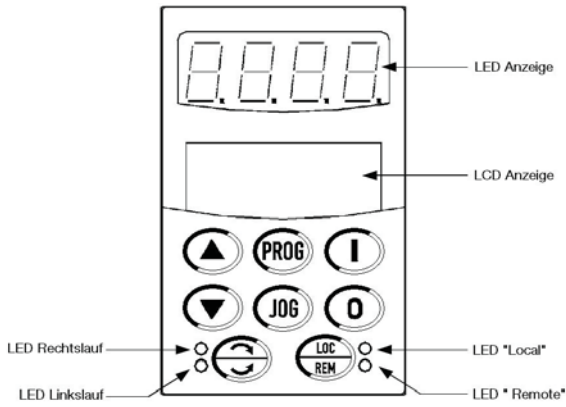


HINWEIS!

Als Not-Aus Funktion kann die Elektronikversorgung abgeschaltet werden.

Für weitere Einzelheiten siehe Bedienungsanleitung – Kapitel 3.3 – Anwendungsbeispiele.

GEBRAUCH DER FERNBEDIENUNG



Tasten der Programmierung.:

- Auswahl zwischen der Anzeige der Parameternummer und des Inhalts.
- Parameternummer oder Wert vergrößern.
- Parameternummer oder Wert verkleinern.

Taste der Wahl der Steuerbefehle:

- Auswahl der Steuerbefehle „Local“ oder „Remote“.
Parameter: P220 = 2 oder 3.



HINWEIS!

In der Werkseinstellung ist im „Local“ Modus die Fernbedienung Quelle der Steuerbefehle.

Befehlstasten:

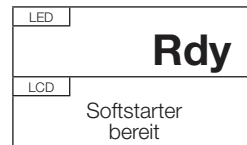
- Motorstart (Hochlauf).
Nach dem Startbefehl wird beim Drücken der Taste der angezeigte Parameter geängert.
- Motorstopp (Auslauf).
Reset der Fehlermeldung.
- Diese Taste ändert die Drehrichtung des Motors, entweder durch Schütze oder nur beim JOG Betrieb.
Parameter: P231.
- Solange die Taste gedrückt ist, wird der Motor bis zur JOG-Frequenz beschleunigt, (wenn der Motor abgeschaltet ist, die General Freigabe und JOG aktiv sind).
Parameter: P51X.



HINWEIS!

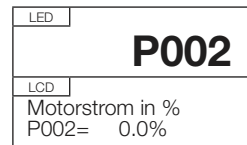
Diese Funktionen können auch über digitale Eingänge, serielle oder Feldbus Kommunikation oder der SoftPLC gesteuert werden.
Parameter: P220, P229 und P230.

Anzeigen und Ändern der Parameter:



Anzeige nach dem Einschalten.

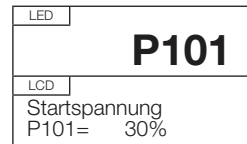
Drücken Sie .



Benutzen Sie die Tasten

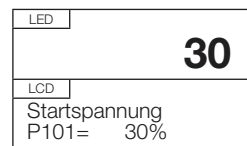


Wählen Sie den gewünschten Parameter aus.



Por exemplo, alterar P101.

Drücken Sie .

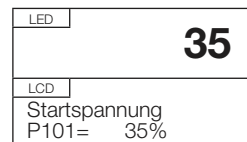


Der zu ändernde Wert.



HINWEIS!

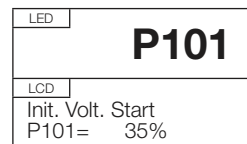
Um Parameter zu ändern, muss zuerst das Passwort (P000) freigeschaltet werden. In der Werkseinstellung ist das Passwort 5. Anderfalls werden die Parameterinhalte zwar angezeigt, können aber nicht verändert werden.



Benutzen Sie die Tasten



Stellen Sie den gewünschten Wert ein.



Drücken Sie und der eingestellt Wert wird gespeichert.



HINWEIS!

Die Parameter, die bei laufendem Motor geändert werden können, werden sofort vom Sanftanlaufgerät übernommen. Für die Parameter, die nur bei stehendem Motor geändert werden können, gilt, dass sie durch drücken der Taste bei stehendem Motor bestätigt werden müssen, bevor die neue Einstellung übernommen wird.



HINWEIS!

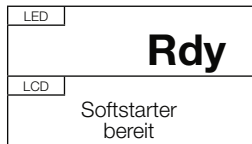
Falls eine Parameteränderung dazu führt, dass der neue Wert inkompatibel zu einem anderem Parameter ist, kommt es zur Fehlermeldung E24 - Programmierungsfehler.

Die Parameter zur Einstellung des SSW06 können in folgende Gruppen, entsprechend ihrer Funktion, unterteilt werden:

<p>Messungen</p> <p>Strom P001, P002, P003, P030, P031, P032</p> <p>Spannung P004, P007, P033, P034, P035</p> <p>Netzfrequenz P005</p> <p>Leistungsfaktor P008</p> <p>Motordrehmoment P009</p> <p>Ausgangsleistung P010 und P011</p> <p>Verbrauchte kWh P044 und P045</p>	<p>Statusanzeigen</p> <p>Betriebszustand des SSW P006</p> <p>Status der DIs und DOs P012 und P013</p> <p>Analogical Ausgänge P027 und P028</p> <p>Status des thermischen Motorschutzes P050</p>	<p>Regelungsart</p> <p>Regelungsart P202</p> <p>Spannungsrampe P10X</p> <p>Strombegrenzung P11X</p> <p>Drehmomentregelung P12X</p> <p>Pumpenregelung P13X</p>	<p>Eingänge und Ausgänge</p> <p>Digitale Eingänge P26X</p> <p>Digitale Ausgänge P27X</p> <p>Analoge Ausgänge P25X</p>	<p>Local / Remote</p> <p>Auswahl P220</p> <p>Local P229</p> <p>Remote P230</p>
<p>Konfiguration der Fernbedienung</p> <p>Passwortschutz P000 und P200</p> <p>Sprachauswahl P201</p> <p>Auswahl des Anzeigeparameters P205</p> <p>Kontrasteinstellung des LCD Displays P218</p>	<p>Konfiguration des SSW</p> <p>Wurzel-3-Schaltung P150</p> <p>Externes Bypassschütz P140</p> <p>Autoresetzeit P206</p>	<p>Sonderfunktionen</p> <p>Auswahl der Drehrichtung P231</p> <p>Bremsmethode P50X</p> <p>Jog P51X</p> <p>Kick Start P52X</p>	<p>Kommunikation</p> <p>Serielle P308, P312, P313, P314</p> <p>Feldbus P085, P309, P310, P313, P315, P316, P317</p>	<p>Überwachungsfunktion</p> <p>Spannungsüberwachung P60X</p> <p>Stromüberwachung P61X</p> <p>Phasenfolge P620</p> <p>Bypass geschlossen P621</p> <p>Pause nach dem Motorauslauf P630</p> <p>Thermische Motorschutzklasse P64X</p> <p>Momentüberwachung P65X</p> <p>Leistungsüberwachung P66X</p> <p>Überwachung des K-PT100 P67X, P68X, P69X</p> <p>Auswahl zwischen Fehler und Alarm P7XX</p>
<p>Daten</p> <p>Softwareversion P023</p> <p>Daten des SSW P29X</p> <p>Daten des Motors P40X</p>	<p>Backup</p> <p>Lade / Speicher P204</p> <p>Kopierfunktion P215</p>	<p>Fehlerspeicher</p> <p>Letzte Fehler P014 bis P019</p> <p>Strom, Spannung und Status der Fehler P06X und P07X</p> <p>Aktueller Fehler P020</p> <p>Aktueller Alarm P021</p>	<p>Diagnose</p> <p>Einschaltzeit P042</p> <p>Betriebszeit P043</p> <p>Daten des Hochlaufs P047, P048, P049, P058, P059</p> <p>Motor Ein P053 bis P057</p>	<p>SoftPLC</p> <p>Status P088</p> <p>Möglich P089</p> <p>Aktivierung P950</p> <p>E/A Erweiterungskarte P951</p> <p>Benutzer Parameter P95X</p>

Für weitere Einzelheiten siehe Bedienungsanleitung: Schnellübersicht der Parameter – I. Parameter und II. Fehlermeldungen, Kapitel 6 – Detaillierte Parameterbeschreibung und Kapitel 8 – 8.1 – Fehler und mögliche Ursachen.

Status des SSW06:



Softstarter bereit zum Hochlauf, "ready".



Das Sanftanlaufgerät hat einen Fehler erkannt.



Das Sanftanlaufgerät hat einen Alarm erkannt.



HINWEIS!

Die weiteren Status des SSW06 werden im Parameter P006 angezeigt.

VORBEREITUNG DER EINSCHALTUNG



GEFAHR!

Schalten Sie das SSW06 vor jeder Wartung spannungsfrei.

- Überprüfen Sie alle Anschlüsse: Überprüfen Sie, ob die Leistungs-, Erdungs- und Steuerungsanschlüsse richtig und fest angezogen sind.
- Reinigen Sie den Innenraum des Sanftanlaufgeräts: Entfernen Sie alle Verpackungsmaterialien aus dem Innern des SSW06.
- Überprüfen Sie die richtige Spannungsauswahl der Lüfterversorgung.
- Überprüfen Sie den Motor: Überprüfen Sie den Motoranschluss und ob die Motorspannung und der Motorstrom mit dem SSW06 kompatibel sind.
- Überprüfen Sie die Einstellung des Motoranschlusses: Überprüfen Sie ob der Motoranschluss als Standard oder als Wurzel-3-Schaltung ausgeführt und entsprechend eingestellt ist.
- Entkoppeln Sie die Last vom Motor: Falls das Entkoppeln der Last nicht möglich ist, versichern Sie sich, dass durch beide Drehrichtungen weder die Maschine beschädigt noch Personen gefährdet werden.
- Schliessen Sie den Deckel des SSW06 und den Schaltschrank.

ERSTES EINSCHALTEN

- Überprüfen Sie die Wechselspannungsversorgung: Messen Sie ob die Versorgungsspannung innerhalb der zulässigen Grenzen ist [Siehe Bedienungsanleitung – Kapitel 10.3 – Leistungsdaten und Kapitel 10.4 – Elektronikdaten.

- Schalten Sie die Wechselspannung zur Elektronikversorgung ein.



ACHTUNG!

Schalten Sie immer zuerst die Elektronikversorgung ein und nehmen Sie alle notwendigen Einstellungen vor, bevor Sie die Drehstromversorgung zuschalten.

- Überprüfen Sie die erfolgreiche Einschaltung: Wenn das Sanftanlaufgerät zum ersten Mal eingeschaltet wird, oder nachdem die Werkseinstellungen (P204=5) geladen wurden, wird eine Programmieroutine aufgerufen. [Siehe Bedienungsanleitung – Kapitel 5 – Bild 5.1 – Geführte Einstellung der Grundparameter].

In dieser Routine wird der Benutzer aufgefordert, die Grundeinstellungen des SSW06 und des Motor eingestellt:

- Sprachauswahl [P201].
- Wurzel-3-Schaltung [P150].
- Regelungsart [Regelungsart].
- Motordaten des Typenschild [P40X].
- Thermische Motorschutzklasse [P64X].



HINWEIS!

In der geführten Routine werden nur die Grundparameter für die Funktion des SSW06 aufgerufen.



ACHTUNG!

Es ist erforderlich, dass die Motordaten aus dem Katalog oder vom Typenschild bekannt sind und eingegeben werden. Diese Daten sind für die korrekte Funktion des Motorschutzes notwendig.



ACHTUNG!

Die thermische Schutzklasse sollte so eingestellt werden, dass der Motor vor Überlast im Hochlauf und Normalbetrieb geschützt ist.

- Schalten Sie die Drehstromversorgung ein.
- Überprüfen Sie die Spannungsmessung in den Parametern P004, P033, P034 Und P035.

Weitere Einzelheiten zur Inbetriebnahme finden Sie in der Bedienungsanleitung – Kapitel 5.3 – Erster Motorhochlauf.

Beispiele zur korrekten Einstellung der Regelungsart für verschiedene Anwendungen finden Sie in der Bedienungsanleitung – Kapitel 7.

CONSIGNES DE SÉCURITÉ



DANGER!

L'installation, la mise en service, l'utilisation et la maintenance du démarreur progressif SSW06 et ses accessoires, doivent être planifiés et exécutés uniquement par du personnel qualifié et familiarisé avec le produit.

Ces personnes doivent respecter toutes les consignes de sécurité présentées dans les manuels et/ou dans les normes locales.

Le non respect des consignes de sécurité peut entraîner la mort et/ou endommager le produit.



NOTE!

Le personnel qualifié, selon requis dans ce guide, sont les personnes capables :

- D'installer, connecter à la terre, mettre en service et utiliser le SSW06 conformément aux manuels du produit et les procédures de sécurité applicables.
- D'utiliser les équipements de sécurité conforme normes locales.
- De fournir les premiers secours en cas d'accident.



DANGER!

Il faut toujours couper l'alimentation de l'installation avant toute intervention sur le SSW06. Même après la coupure de courant, il peut y avoir parties en mouvement (ventilateurs) ou sous tension.

Il faut attendre au moins 3 minutes pour la décharge totale des condensateurs et l'arrêt de ventilateurs.

Reliez toujours la carcasse de l'équipement à la terre (PE) au travers de la borne prévue pour cet effet.



ATTENTION!

Comme les composants des cartes électroniques sont sensibles aux décharges électrostatiques, ne les touchez pas. En cas de besoin, touchez la carcasse métallique mise à la terre ou portez bracelet de mise à la terre.



DANGER!

Ne réalisez pas d'essai diélectrique sur le SSW06 ! En cas de besoin, veuillez contacter le fabricant.

RÉCEPTION ET STOCKAGE

A la réception du produit, veuillez vérifier:

- Si l'étiquette d'identification du SSW06 correspond bien au modèle de votre commande.
- Si l'emballage est abîmé. Dans ce cas, émettez immédiatement une réserve auprès du transporteur.
- Si le SSW06 n'est pas installé à la réception, veuillez le maintenir dans son emballage d'origine et rangé dans un endroit propre et sec (température entre -25°C à 65°C).

INSTALLATION MÉCANIQUE

Le SSW06 doit être montée dans un environnement exempté:

- De l'exposition directe au soleil, à la pluie, à l'humidité excessive ou à l'air marin.
- Des gaz et liquides explosives ou corrosives.
- De toute vibration excessive, poussières, particules métalliques et/ou huile dans l'air.

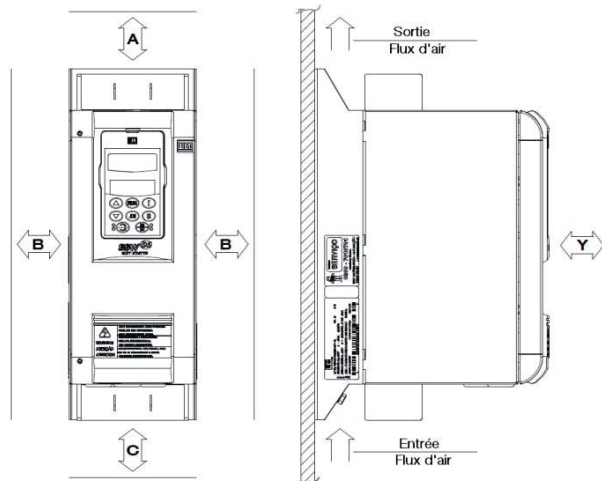
Conditions environnementales limites :

- Température: de 0°C à 55°C, pour les modèles de 10A à 820A; et de 0°C à 40°C, pour les modèles de 950A à 1400A.
- Humidité relative de l'air: de 5% à 90% sans condensation.
- Niveau de pollution: 2 (selon UL508).

Pour plus d'information, veuillez consulter le Manuel de l'Utilisateur – Chapitre 3 – item 3.1.1 – Conditions de l'Environnement.

Positionnement et fixation:

Pour l'installation, il faut prévoir les distances minimales au tour du SSW06 conforme figure ci-dessous :



Modèle	A mm(in)	B mm(in)	C mm(in)	Y mm(in)
SSW06.0010 à SSW06.0950	150 (5,90)	30 (1,18)	150 (5,90)	50 (1,96)
SSW06.1100 à SSW06.1400	150 (5,90)	100 (3,93)	150 (5,90)	50 (1,96)

- Installez le SSW06 sur une surface plane.
- Ne pas placer des équipements ou des composants sensibles à la chaleur juste au dessus du SSW06.



ATTENTION!

Prévoir des gaines ou des chemins de câble indépendants pour la séparation physique des conducteurs de puissance, contrôle et signal. Distancez les équipements et tout conducteur sensible d'au moins 0,25m du SSW06, de ses câbles et du moteur.

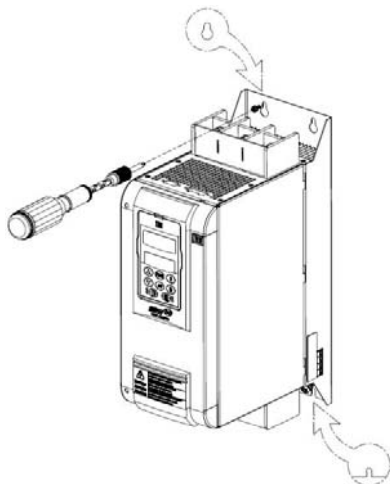
Montage en armoire :

Pour installer le SSW06 dans une armoire ou dans une enveloppe métallique fermée, il faut prévoir la ventilation nécessaire afin d'assurer que la température reste dans les limites admissibles [veuillez consulter le Manuel de l'Utilisateur – Chapitre 3 – Item 3.1.3.1 – Montage en armoire – Tableaux 3.3 à 3.5].

Montage sur plaque:

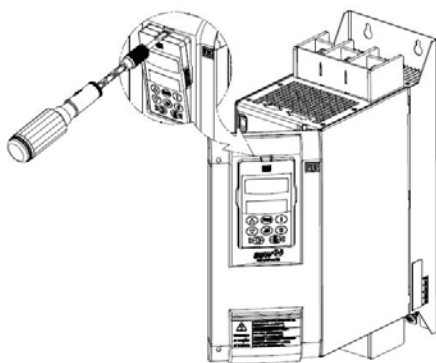
Installation de la SSW06 sur la surface d'une plaque de montage.

Veuillez placer les vis de fixation sur la plaque d'installation, avant de poser le démarreur. Ensuite, serrez les vises.



Les dimensions externes, perçage et vis de fixation du SSW06 sont montrés dans le Manuel de l'Utilisation – Chapitre 3 – Item 3.1.2 – Dimensions du SSW06.

Procédure de démontage de l'IHM et le couvercle d'accès aux bornes de contrôle.



INSTALLATION ÉLECTRIQUE



DANGER!

Veuillez vérifier que le réseau d'alimentation est bien hors tension avant de procéder au raccordement du SSW06.



ATTENTION!

Les informations fournies dans les manuels du SSW06 ne sont pas sensés remplacer les normes applicables à l'installation électrique, qui doivent toujours être prises en compte.



DANGER!

Le SSW06 ne peut pas être utilisé comme mécanisme d'arrêt d'urgence.

Bornes de Puissance:

Les bornes de puissance peuvent être de tailles et dispositions différentes en fonction du modèle du SSW06 [voir Manuel de l'Utilisateur – Chapitre 3 – Item 3.2.1 – Bornes de Puissance – Figures 3.8x – Bornes de puissance, Tableau 3.5 – Couple de serrage maximal des vis des bornes de puissance et Figures 3.9x – Localisation des connexions].

R / 1L1, S / 3L2 e T / 5L3: Bornes coté réseau d'alimentation.

U / 2T1, V / 4T2 e W / 6T3: Bornes coté moteur.

Câbles de Puissance et Mise à la Terre:



NOTE!

Pour le bon dimensionnement des câbles, veuillez prendre en compte les conditions de l'installation et la chute de tension maximale admissible, ainsi que les normes applicables à l'installation.

Pour plus d'information veuillez consulter le Manuel de l'Utilisation – Chapitre 3 – Item 3.2.3 – Câbles de puissance et mise à la terre préconisés – Tableaux 3.6 et 3.7.

Raccordement du SSW06 au réseau d'alimentation puissance :



DANGER!

La tension du réseau doit être compatible avec la tension nominale du SSW06 : Modèles de 220 à 575Vca ou modèles de 575 à 690Vca.



DANGER!

Prévoyez un équipement de sectionnement de l'alimentation du SSW06. Cet équipement doit être capable de sectionner l'alimentation en cas d'urgence ou maintenance.

Capacité du réseau d'alimentation [voir Manuel de l'Utilisation – Chapitre 3 – Item 3.2.4.1 – Capacité du réseau d'alimentation].

Fusibles préconisés [voir Manuel de l'Utilisation – Chapitre 3 – Item 3.2.4.2 – Fusibles préconisés].

Raccordement du SSW06 au Moteur :



DANGER!

Des condensateurs pour la correction du facteur de puissance ne doivent jamais être raccordés à la sortie du SSW06 (U / 2T1, V / 4T2 e W / 6T3).

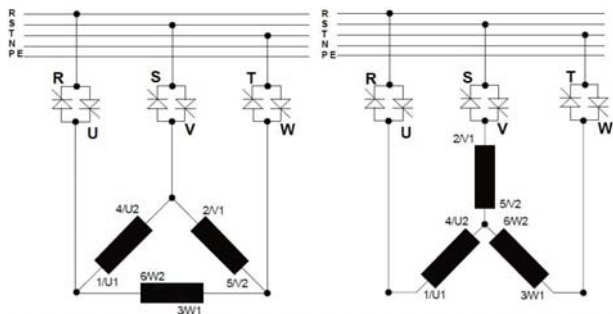


ATTENTION!

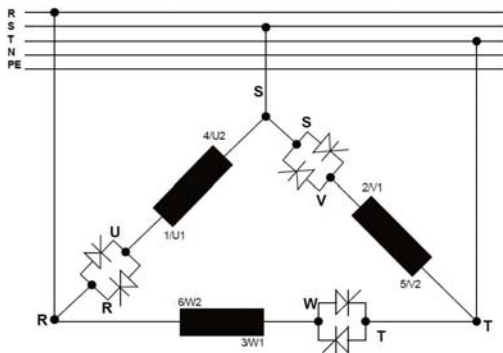
Le courant nominal du moteur ne doit pas être inférieur à 30% du courant nominal du SSW06.

Types de raccordements au moteur:

Raccordement standard du SSW06 au moteur avec trois câbles (P150=0=Inactifé)



Raccordement du SSW06 en triangle ouvert avec six câbles (P150=1=Activé)



ATTENTION!

Il faut faire très attention au raccordement du moteur au SSW06, respectez les schémas de raccordement montrés dans le Manuel de l'Utilisateur – Chapitre 3 – Item 3.2.5 – Raccordement du SSW06 au moteur. Dans le cas d'un raccordement en triangle ouvert, inversez le sens de rotation uniquement sur les bornes d'entrée d'alimentation.



DANGER!

Le raccordement en triangle ouvert ne peut pas être utilisé pour une tension d'alimentation supérieure à 575Vca.



DANGER!

Ne démarrez pas le moteur si le paramètre P150 est erroné. Cela pourrait endommager le SSW06.

Raccordement de la mise à la terre :



DANGER!

Les SSW06 doivent impérativement être mis à la terre via le conducteur de protection (PE). La mise à la terre doit respecter les normes locales (résistance ≤ 10 ohms).



ATTENTION!

Les SSW06 peuvent être raccordés à des réseaux d'alimentation avec schéma de mise à la terre du type TT ou TN (IEC) ou à des réseaux IT si la mise à la terre se fait au travers d'une impédance.



DANGER!

N'utilisez pas le conducteur du neutre pour la mise à la terre. Utilisez un conducteur spécifique pour cette fonction.

Pour plus d'information veuillez consulter le Manuel de l'Utilisateur – Chapitre 3 – Item 3.2.6 – Schémas mise à la terre

Alimentation des Ventilateurs :

Des ventilateurs sont disponibles sur les modèles supérieurs à 255A. Dans les modèles de 255 à 820A, la tension d'alimentation des ventilateurs peut être choisie par un sélecteur. Pour les modèles de 950 à 1400A, la tension d'alimentation des ventilateurs est fixe, conforme à fiche technique du produit.

Pour plus d'information veuillez consulter le Manuel de l'Utilisateur – Chapitre 3 – Item 3.2.7 – Alimentation des ventilateurs.

Raccordement des signaux et Contrôle :

Toutes les entrées et sorties du SSW06 sont programmables. Les détails de raccordement sont disponibles dans le Manuel de l'Utilisateur – Chapitre 3 – Item 3.2.8 – Raccordement des Signal et Contrôle.



DANGER!

N'appliquez jamais de tensions élevées aux entrées numériques.



NOTE!

La source d'alimentation auxiliaire de +24Vcc du SSW06, doit servir uniquement à l'alimentation des entrées numériques.

SCHÉMA DE RACCORDEMENT SUGGÉRÉ

Schéma de raccordement suggéré avec contrôle via les entrées numériques à deux fils.

P150 = 0, P220=1, P230=1, P263=1, P277=1, P279=6.

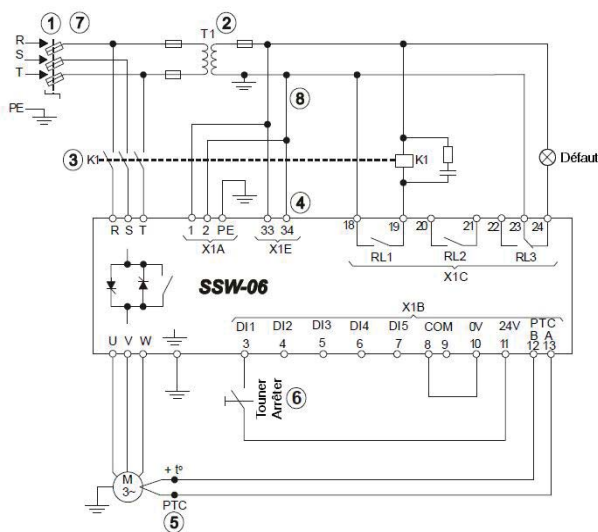
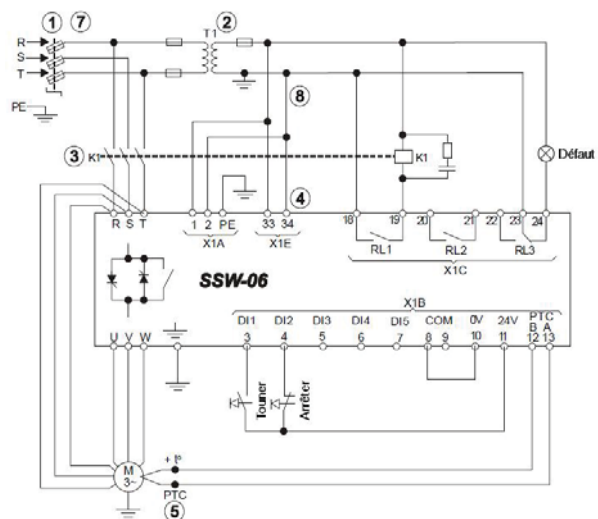


Schéma de raccordement suggéré avec contrôle via les entrées numériques à trois fils et raccordement du moteur en triangle ouvert avec six câbles.

P150=1, P220=1, P230=1, P263=2, P264=1, P277=1, P279=6.



NOTE!

Le transformateur "T1" est optionnel et doit être utilisé s'il y a différence entre la tension du réseau d'alimentation et l'alimentation des ventilateurs et de l'électronique.



NOTE!

En cas de panne dans le circuit de puissance du SSW06 qui maintienne le moteur branché par court-circuit, la protection du moteur n'est assurée que par le contacteur (K1) ou disjoncteur (Q1) d'isolation de puissance.



NOTE!

X1E (33 e 34) n'est disponible que sur les modèles équipés de ventilateur.



NOTE!

Pour la protection totale du moteur, il est conseillé d'utiliser des sondes PTC (PTC à l'entrée DI6) ou thermostats (erreur externe des entrées de DI4 à DI6).



NOTE!

Quand vous utilisez un contrôle par entrée numérique à deux fils (clé de contact normalement ouvert), si la clé reste fermée, le moteur va démarrer immédiatement après le rétablissement du courant, suite à une coupure.



NOTE!

Avant toute intervention sur le SSW06 ou le moteur, il faut impérativement enlever les fusibles ou sectionner l'alimentation afin d'assurer la coupure totale entre l'équipement et le réseau d'alimentation.



NOTE!

L'arrêt d'urgence peut être réalisé par la coupure de l'alimentation de l'électronique

Pour plus d'information veuillez consulter le Manuel de l'Utilisateur – Chapitre 3 – Item 3.3 – Schémas de Raccordement Suggérés.

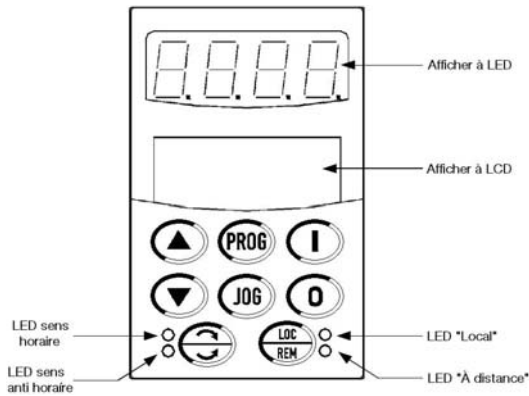


NOTE!




Pour la protection de l'installation électrique, l'utilisation des fusibles ou disjoncteur à l'entrée de l'alimentation est indispensable.

L'utilisation de fusibles ultrarapides n'est pas obligatoire pour le fonctionnement du SSW06, mais elle est conseillée pour une totale protection des thyristors.


UTILISATION DE L'IHM



Touches de programmation :

-  Sélectionne l'affichage entre le numéro du paramètre et sa valeur (position/contenu).
-  Augmente le numéro du paramètre ou sa valeur.
-  Réduit le numéro du paramètre ou sa valeur.

Touche de sélection de contrôle :





-  Sélectionne l'origine du contrôle entre LOCAL et À DISTANCE.
Paramètre: P220 = 2 ou 3.



NOTE!

Dans la programmation standard d'usine, les boutons de l'IHM sont activés quand le mode LOCAL est sélectionné.

Touches de contrôle:

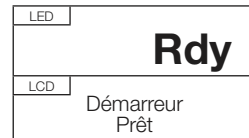
-  Démarre le moteur.
Après le démarrage, à chaque appui, l'afficheur montre les indications d'accès rapide.
-  Coupe l'alimentation du moteur.
Réinitialise le SSW06 après un défaut.
-  Inverse le sens de rotation du moteur entre Horaire et Anti horaire, via contacteur ou seulement pour la fonction JOG.
Paramètre: P231.
-  Quand appuyé, la fonction JOG est réalisée (si le moteur n'est pas en fonctionnement, le SSW06 Activé et la fonction JOG active).
Paramètre: P51X.




NOTE!

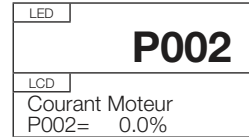
Toutes ses fonctions peuvent être aussi exécutées via les entrées numériques, communication serial, fieldbus ou Soft PLC.
Paramètres: P220, P229 e P230.

Visualisation et modification des paramètres:



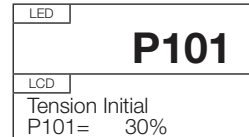
Ecran de démarrage après la mise sous tension.

Appuyer sur la touche .



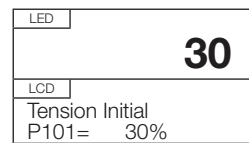
Au travers des touches  et .

Choisissez le paramètre souhaité.



Par exemple, changer P101.

Appuyer sur la touche .

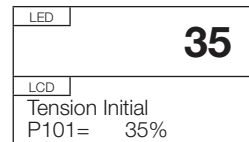




Valeur à modifier.

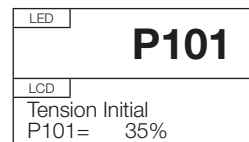



NOTE!

Pour modifier la valeur d'un paramètre, il faut d'abord régler P000 = Mot de passe. Le mot de passe par défaut est 5. Si ce n'est pas fait, la modification de la valeur ne sera pas possible, seulement l'affichage.




Au travers des touches  et  modifiez la valeur du paramètre.



Appuyez sur la touche  et la valeur est enregistrée.



NOTE!

Pour les paramètres qui peuvent être modifiés avec le moteur en fonctionnement, le SSW06 prends en compte la modification tout de suite.
Pour les paramètres qui dépendent de l'arrêt du moteur, le SSW06 ne prendra en compte la nouvelle valeur qu'après l'appui sur la touche  avec le moteur à l'arrêt.



NOTE!

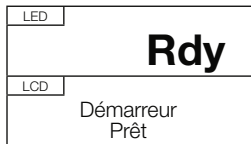
Si la valeur sélectionnée est incompatible avec une autre valeur déjà sélectionné, l'erreur de programmation E24 sera affichée.

Les paramètres de réglage du SSW06 peuvent être regroupés par rapport à ses fonctions :

<p>Mesures</p> <p>Courant P001, P002, P003, P030, P031, P032</p> <p>Tension P004, P007, P033, P034, P035</p> <p>Fréquence P005</p> <p>Facteur de Puissance P008</p> <p>Couple P009</p> <p>Puissance P010 e P011</p> <p>KWh consommé P044 e P045</p>	<p>Indications</p> <p>État du SSW P006</p> <p>État des DI e DOs P012 e P013</p> <p>Sorties Analogiques P027 e P028</p> <p>État Classe Thermique P050</p>	<p>Types de Contrôle</p> <p>Sélection P202</p> <p>Rampe de Tension P10X</p> <p>Limitation de Courant P11X</p> <p>Contrôle de Couple P12X</p> <p>Contrôle de Pompes P13X</p>	<p>Entrées e Sorties</p> <p>Entrées Numériques P26X</p> <p>Sorties Numériques P27X</p> <p>Sorties Analogiques P25X</p>	<p>Local / À distance</p> <p>Sélection P220</p> <p>Local P228</p> <p>À distance P230</p>
<p>Réglage de l'IHM</p> <p>Mot de Passe P000 e P200</p> <p>Langue P201</p> <p>Paramètre affiché P205</p> <p>Réglage afficheur P218</p>	<p>Réglage SSW</p> <p>Couplage triangle P150</p> <p>Bypass externe P140</p> <p>Temps d'auto-réinitialisation P206</p>	<p>Fonctions spéciales</p> <p>Sens de rotation P231</p> <p>Freinage P50X</p> <p>JOG P51X</p> <p>Kick Start P52X</p>	<p>Communication</p> <p>Serial P308, P312, P313 e P314</p> <p>Fieldbus P085, P309, P310, P313, P315, P316 e P317</p>	<p>Protections</p> <p>Protection de Tension P60X</p> <p>Protection de Courant P61X</p> <p>Séquence de Phase P620</p> <p>Bypass Fermé P621</p> <p>Intervalle entre Démarrages P630</p> <p>Classe Thermique du Moteur P64X</p> <p>Protection de Couple P65X</p> <p>Protection de Puissance P66X</p> <p>Protection do K-PT100 P67X, P68X e P69X</p> <p>Sélection entre Défaut ou Alarme P7XX</p>
<p>Donnés</p> <p>Versión du Logiciel P023</p> <p>Donnés du SSW P29X</p> <p>Donnés do Moteur P40X</p>	<p>Sauvegarde</p> <p>Ouvrir / Sauvegarder P204</p> <p>Fonction Copier P215</p>	<p>Historique de Défauts</p> <p>Derniers Défauts P014 a P019</p> <p>Courant, Tension et Etat au Déclenchement P06X e P07X</p> <p>Défaut actuel P020</p> <p>Alarme Actuel P021</p>	<p>Diagnostic</p> <p>Heures sous Tension P042</p> <p>Heures en fonctionnement P043</p> <p>Donnés de Démarrage P047, P048, P049, P058 e P059</p> <p>Moteur démarré P053 a P057</p>	<p>SoftPLC</p> <p>Etat P088</p> <p>Permis P089</p> <p>Activation P950</p> <p>Expansion d'entrées et Sorties P951</p> <p>Paramètres de l'Utilisateur P95X</p>

Pour plus d'information veuillez consulter le Manuel de l'Utilisateur : Référence Rapide des Paramètres – I. Paramètres et II. Messages d'Erreur ou Alarme, Chapitre 6 - Description Détaillée des Paramètres et Chapitre 8 – Item 8.1 – Erreurs, Alarmes et Causes Probables.

États du SSW06:



Démarreur prêt pour le démarrage, "ready".



Démarreur en erreur.



Démarreur en Alarme.



NOTE!

Tous les autres états de fonctionnement du SSW06 peuvent être visualisés au travers du paramètre P006.

PREPARATION POUR MISE SOUS TENSION



DANGER!

Avant tout raccordement du SSW06, veuillez vous certifier que le réseau d'alimentation est bien hors tension.

- Vérifiez si toutes les connexions de puissance, mise à la terre et contrôle sont correctes et bien serrés.
- Nettoyez l'intérieur du SSW06: Enlevez tous les résidus de matériel de l'intérieur du SSW06 avant la mise sous tension.
- Vérifiez si la sélection de tension des ventilateurs est correcte.
- Vérifiez toutes les connexions du moteur et le courant et tension sont conformes à ceux du SSW06.
- Vérifiez le type de connexion du SSW06 au moteur : Standard à 3 fils ou à triangle ouvert à 6 fils.
- Désaccouplez le moteur de la machine entraînée : Si le désaccouplement n'est pas possible, veuillez vous certifier que le sens de rotation (horaire ou anti horaire) ne risque pas d'endommager la machine entraînée ou de mettre en péril les personnes.
- Fermez tous les couvercles du SSW06 avant la mise sous tension.

PREMIERE MISE SOUS TENSION

- Vérifiez la tension d'alimentation : Mesurez la tension du réseau d'alimentation et vérifiez s'elle est comprise dans la plage de tension admissible [voir Manuel de l'Utilisateur – Chapitre 10 – Item 10.3 – Données de puissance et Item 10.4 – Données de l'Electronique].
- Alimenter l'électronique du SSW06.



ATTENTION!

A la première mise sous tension, alimentez d'abord l'électronique et programmez les paramètres minimaux nécessaires au fonctionnement du SSW06 pour en suite alimenter le circuit de puissance.

- Vérifiez le succès de la mise sous tension : A la première mise sous tension ou au chargement des paramètres standard d'usine (P204=5) une routine de programmation est lancée [voir Manuel de l'Utilisateur – Chapitre 5 – Figure 5.1 – Séquence de paramètres de la première mise sous tension].

Cette routine exige de l'utilisateur la programmation de quelques paramètres basiques à propos du SSW06 et du moteur :

- Langue [P201].
- Type de connexion au moteur [P150].
- Type de contrôle [Types de Contrôle].
- Données nominales du moteur [P40X].
- Protection de Classe Thermique du Moteur [P64X].



NOTE!

Dans cette séquence de programmation de paramètres, il y a juste les principaux paramètres pour l'apprentissage sur le fonctionnement du SSW06.



ATTENTION!

Il est indispensable disposer des informations de catalogue du moteur ainsi que les données de sa plaque signalétique pour la bonne programmation des paramètres de protection.



ATTENTION!

La classe thermique de protection du moteur doit être programmée pour protéger le moteur contre les surcharges pendant le démarrage et pendant le régime permanent de fonctionnement.

- Fermez le sectionneur d'entrée d'alimentation.
- Vérifiez les tensions d'alimentation au travers des paramètres P004, P033, P034 e P035.

Pour plus d'information sur la mise en service, veuillez consulter le Manuel de l'Utilisateur – Chapitre 5 – Item 5.3 – Mise en service.

Quelques exemples de programmation de contrôle de différents types de machines entraînées sont montrés dans le Manuel de l'Utilisateur – Chapitre 7.

ISTRUZIONI DI SICUREZZA



PERICOLO!

Soltanto personale specializzato, con un'adeguata conoscenza del SSW06, e in possesso di strumenti adatti, può implementare l'installazione, la partenza e la manutenzione di questa apparecchiatura. L'operatore deve rispettare e seguire tutte le norme e istruzioni di sicurezza che sono contenute nei manuali del prodotto e/o definite per le normative di sicurezza sul locale di lavoro vigenti nello Stato nel quale si sta attuando.



NOTA!

Per le finalità di questa guida, quando ci riferiamo a personale specializzato intendiamo ad operatori capaci di:

- Installare, far la messa a terra, energizzare e operare sul SSW06 in accordo con i manuali del prodotto e i procedimenti di sicurezza imposti dalle leggi vigenti.
- Utilizzare delle attrezzature di protezione che sono stabilite dalle norme.
- Essere capaci di prestare un primo soccorso.



PERICOLO!

Sempre scollegare l'alimentazione prima di toccare qualunque componente elettrico o meccanico connesso al SSW06. Alte tensioni e parti meccaniche in movimento possono risultare pericolose anche dopo aver disenergizzato l'apparecchio. Aspettare almeno 3 minuti prima di avere un contatto con il SSW06 per garantire una completa scarica dei condensatori e il bloccaggio dei ventilatori. Bisogna sempre mettere a terra lo chassis dell'apparecchiatura nel punto adeguato.



ATTENZIONE!

Le schede elettroniche sono costituite da componenti sensibili a scariche elettrostatiche. Non toccare direttamente i componenti o connettori. Se fosse necessario, sarebbe appropriato usare polsiera, scarpe e indumenti antistatici.



PERICOLO!

Non deve essere fatta nessuna prova di tensione applicata sul SSW06. Se fosse necessario dovrà essere contattato il fabbricante.

Ricevimento e Stoccaggio del Prodotto

Al ricevimento del prodotto bisogna verificare se:

- L'etichetta d'identificazione del prodotto sia corrispondente al modello comprato.
- Se ci sono stati danni sul prodotto durante il trasporto. Nel caso in cui sarà riscontrato un qualunque problema, dovrà essere immediatamente contattata la ditta trasportatrice.
- Se il SSW06 non dovesse essere installato subito dopo la ricezione dovrà essere tenuto dentro l'imballaggio, chiuso, in un luogo pulito e con un tasso di umidità più basso possibile (temperatura compresa tra i -25°C e 65°C).

INSTALLAZIONE MECCANICA

Il SSW06 deve essere montato in un ambiente nel quale non ci sia:

- Esposizione diretta a raggi solari, pioggia, un tasso di umidità eccessivo o salsedine.
- Gas e/o liquidi infiammabili o corrosivi.
- Vibrazioni eccessive, polveri o residui metallici e/o vapori oleosi nell'aria.

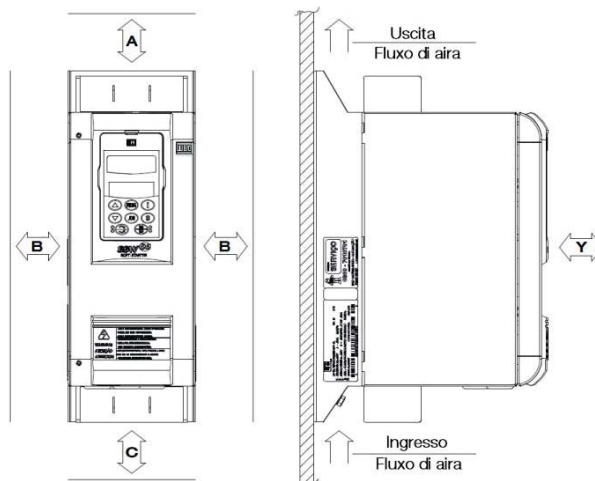
Condizioni Ambientali Permesse:

- Temperatura: Compresa tra 0°C e 55°C – per i modelli dai 10A ai 820A; temperatura compresa tra 0°C e 40°C – per i modelli dai 950A ai 1400A.
- Umidità relativa dell'aria: dal 5% al 90% senza condensa.
- Grado di inquinamento : 2 (come richiesto dalla norma UL508).

Per maggiori informazioni consultare il Manuale dell'Utente – Capitolo 3 – Paragrafo 3.1.1 – Condizioni Ambientali.

Posizionamento e Fissaggio:

Per l'installazione del SSW06 deve essere lasciata una quantità di spazio libero intorno all'apparato come mostrato in figura:



Modello	A mm(in)	B mm(in)	C mm(in)	Y mm(in)
SSW06.0010 a SSW06.0950	150 (5,90)	30 (1,18)	150 (5,90)	50 (1,96)
SSW06.1100 e SSW06.1400	150 (5,90)	100 (3,93)	150 (5,90)	50 (1,96)

- Installare il SSW06 su di una superficie piana.
- Non collocare componenti sensibili al calore nelle prossimità o al di sopra del SSW06.



ATTENZIONE!

Dovrà esserci separazione fisica tra i conduttori che trasportano i segnali di controllo e quelli che trasportano i segnali di potenza. Dovrà esserci, inoltre, una separazione degli strumenti con i cavi che risultano essere elettricamente sensibili del SSW06 di minimo 0,25m, ed anche con i cavi che connettono il SSW06 al motore.

Montaggio in Pannelli:

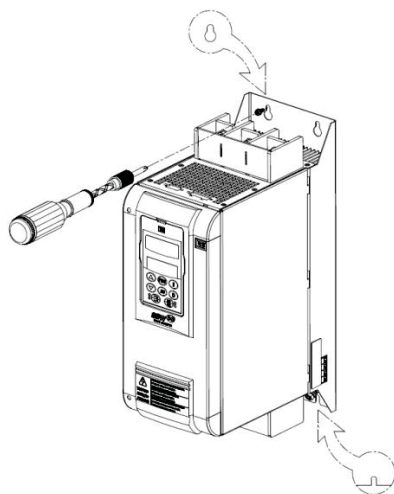
Per installare il SSW06 all'interno di pannelli o in compartimenti metallici chiusi, è importante riuscire a determinare quale sarà la temperatura massima raggiunta nell'ambiente affinché non vengano superati i valori massimi consentiti – Per ulteriori informazioni consultare il Manuale dell'Utente Capitolo 3 – Paragrafo 3.1.3.1 – Montaggio in Pannelli – Tabelle dalla 3.3 alla 3.5].

Montaggio su Superfici:

L'installazione del SSW06 deve essere fatta su di una superficie adatta al montaggio dello stesso.

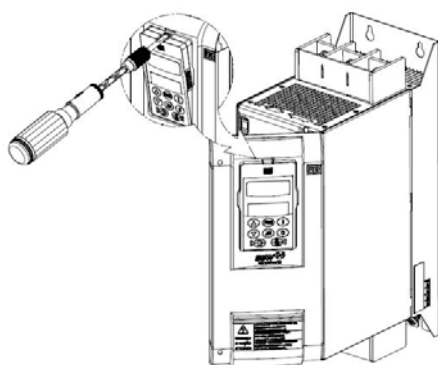
Prima dovranno essere collocate le viti sulla superficie dove il SSW06 sarà installato.

In seguito installare il SSW06 stringendo le viti.



Dimensioni esterne. Fori e viti per il fissaggio del SSW06 sono illustrati nel Manuale dell'Utente – Capitolo 3 – Paragrafo 3.1.2 – Dimensioni del SSW06.

Procedimento di rimozione del HMI e coperchio protettore delle connessioni di controllo.



INSTALLAZIONE ELETTRICA



PERICOLO!

Accertarsi che la rete di alimentazione sia scollegata prima d'iniziare a connettere l'apparato.



ATTENZIONE!

Le informazioni descritte nei manuali del SSW06 hanno la finalità di servire come guida per ottenere un'installazione corretta. Dovranno anche essere seguite le norme vigenti riguardanti le installazioni elettriche.



PERICOLO!

Il SSW06 non può essere utilizzato come apparato per la frenata di emergenza.

Terminali di Potenza:

I terminali di connessione per i segnali di potenza possono avere dimensioni e formati differenti in funzione del modello del SSW06 [Consultare il Manuale dell'Utente – Capitolo 3 – Paragrafo 3.2.1 – Terminali di Potenza – Figura 3.8x – Terminali di Potenza, Tabella 3.5 – Massimo Momento Torcente d'applicare alle viti per i terminali di potenza e Figura 3.9x – Localizzazione delle Connessioni].

R / 1L1, S / 3L2 e T / 5L3: Rete di alimentazione.

U / 2T1, V / 4T2 e W / 6T3: Connessioni del motore.

Cavi per i segnali di Potenza e Messa a Terra:



NOTA!

Per ottenere un corretto dimensionamento dei cavi, bisogna considerare le condizioni d'installazione, la massima caduta di tensione ammissibile, e applicare tutte le norme riguardanti la sicurezza elettrica.

Per maggiori informazioni e dettagli consultare il Manuale dell'Utente – Capitolo 3 – Paragrafo 3.2.3 – Cavi di potenza e messa a terra consigliati – Tabelle 3.6 e 3.7.

Connettere la rete di alimentazione al SSW06:



PERICOLO!

La tensione della rete di alimentazione deve essere compatibile con la tensione nominale del SSW06. Modelli da 220Vac a 575Vac o modelli da 575Vac a 690Vac.



PERICOLO!

È necessario utilizzare un sezionatore che consenta di ottenere una rapida disconnessione del SSW06 dalla rete di alimentazione. Il sezionatore può attuare in situazioni di emergenza o in casi di manutenzione.

Capacità della Rete di Alimentazione [consultare il Manuale dell'Utente – Capitolo 3 – Paragrafo 3.2.4.1. – Capacità della Rete di Alimentazione].

Fusibili Raccomandati [consultare il Manuale dell'Utente – Capitolo 3 – Paragrafo 3.2.4.2. – Fusibili Raccomandati].

Connessione del SSW06 ad un Motore:



PERICOLO!

I condensatori aventi lo scopo di correggere il fattore di potenza non devono essere installati all'uscita del SSW06 (U / 2T1, V / 4T2 e W / 6T3).

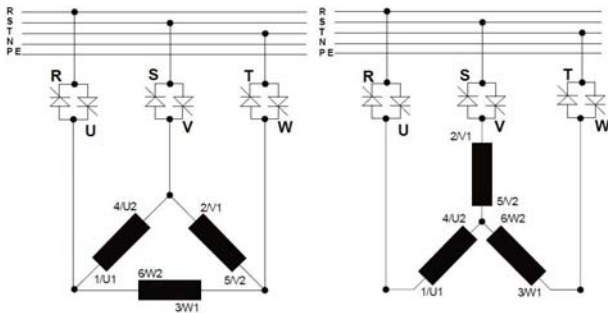


ATTENZIONE!

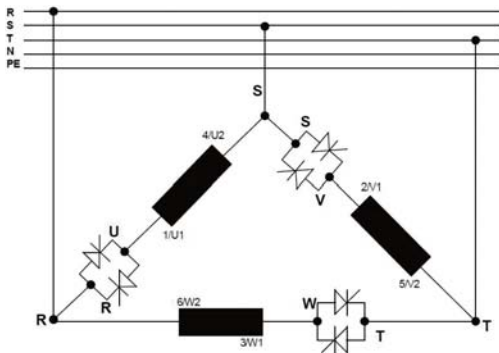
La corrente nominale del motore non deve essere inferiore al 30% della corrente nominale del SSW06.

Tipi di connessione al motore:

La connessione tipica del SSW06 al Motore con tre fili (P150=0=Inattiva)



Connessione del SSW06 con una Connessione Delta del Motore a Sei Fili (P150=1=Attiva)



ATTENZIONE!

Deve essere fatta molta attenzione durante la connessione del Motore al SSW06. Devono essere rispettati gli schemi di connessione mostrati nel Manuale dell' Usuario – Capitolo 3 – Paragrafo 3.2.5 – Connessione del SSW06 al Motore.

Nella connessione con un motore avente configurazione delta, se fosse necessario, si potrebbe invertire il senso di rotazione solamente manipolando le connessioni d' ingresso dell'alimentazione.



PERICOLO!

La connessione con un motore avente configurazione delta non può essere applicata in situazioni nelle quali la tensione risulta essere maggiore di 575Vca.



PERICOLO!

Il motore non deve essere azionato con i valori del parametro P150 errati. Se questo parametro dovesse essere programmato con valori errati potrebbe danneggiare il SSW06.

Connessioni per la messa a terra:



PERICOLO!

Il SSW06 deve essere obbligatoriamente messo a terra utilizzando il conduttore di protezione (PE). La connessione per la messa a terra deve rispettare le norme vigenti (resistenza ≤ 10 ohms).



ATTENZIONE!

Il SSW06 può essere usato in reti di alimentazione con sistema di messa a terra di tipo TT o TN (IEC) o in reti del tipo IT, ma solo se tale sistema utilizza una impedenza per la messa a terra.



PERICOLO!

Il conduttore di neutro non deve essere usato per la messa a terra. Deve essere usato un conduttore specifico per la messa a terra.

Per maggiori informazioni consultare il Manuale dell' Usuario – Capitolo 3 – Paragrafo 3.2.6 – Connessioni per la Messa a Terra.

Connessioni dei Ventilatori:

Disponibile nei modelli al di sopra dei 255A. Nei modelli dai 255A ai 820A può essere selezionata la tensione nominale dei ventilatori tramite l'utilizzazione di un interruttore. Nei modelli dai 950A ai 1400A la selezione di tensione è fissa, come specificato dal prodotto.

Per maggiori informazioni o dettagli consultare il Manuale dell' Usuario – Capitolo 3 – Paragrafo 3.2.7 – Connessioni dei Ventilatori.

Connessioni per i Segnali e per i Segnali di Controllo:

Tutte le entrate e uscite del SSW06 sono programmabili. I dettagli delle connessioni sono disponibili nel Manuale dell' Usuario – Capitolo 3 – Paragrafo 3.2.8 – Connessioni per i Segnali e per i Segnali di Controllo.



PERICOLO!

Non deve essere, per nessun motivo, applicata una tensione elevata sulle entrate digitali.



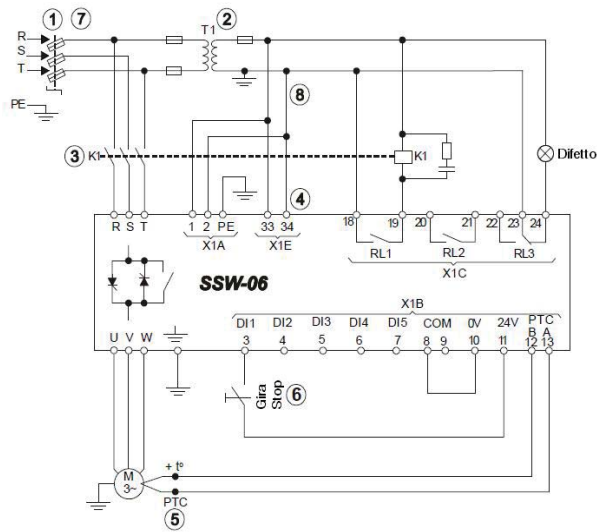
NOTA!

La fonte di alimentazione ausiliaria del SSW06 di +24Vcc deve essere utilizzata solamente per alimentare le entrate digitali.

AZIONAMENTO CONSIGLIATO

Azionamento Consigliato con Comandi per Entrate Digitali a Due Fili.

P150 = 0, P220=1, P230=1, P263=1, P277=1, P279=6.



NOTA!

Il trasformatore "T1" é opzionale e deve essere utilizzato quando si ha differenza tra la tensione della rete di alimentazione e la tensione di alimentazione dei circuiti elettronici e dei ventilatori.



NOTA!

Se dovessero essere rilevati danni nel circuito di potenza del SSW06, il motore continua ad essere azionato per corto circuito, la protezione del motore in questa situazione sarebbe ottenuta solamente con l'attuazione del contattore (K1) o del disgiuntore (Q1) dell'isolamento del circuito di potenza.



NOTA!

X1E (33 e 34) sono disponibili solamente nei modelli con ventilatore.

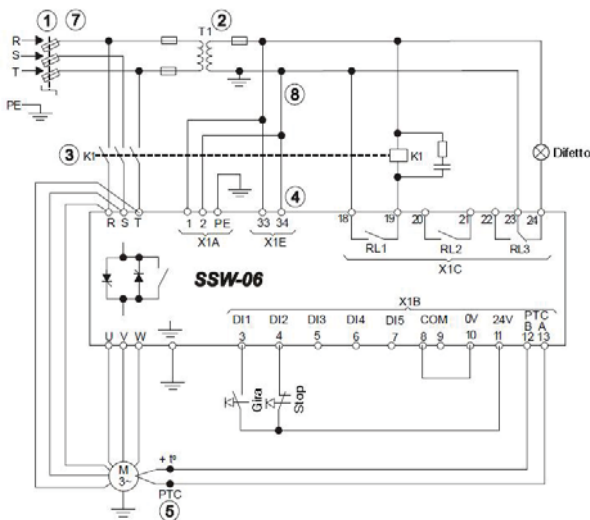


NOTA!

Per avere una protezione completa del motore é raccomandato l'uso di un termistore PTC (PTC nella DI6) o termostati (errore esterno dalla DI4 alla DI6).

Azionamento Consigliato con Comandi per Entrate Digitali a Tre Fili e Configurazione Delta a Sei Cavi del Motore.

P150=1, P220=1, P230=1, P263=2, P264=1, P277=1, P279=6.



NOTA!

Ricordarsi che all'utilizzare il comando per l'entrata digitale a due fili (contatto normalmente aperto) se dovesse esserci un calo o una mancanza dell'energia elettrica, quando dovesse ritornare, il motore partirebbe immediatamente se il contatto rimanesse chiuso.



NOTA!

In caso di manutenzione, nel SSW06 o nel motore, é necessario rimuovere i fusibili dell'entrata o sezionare l'ingresso dell'alimentazione per garantire una completa disconnessione dell'apparato dalla rete di alimentazione.



NOTA!

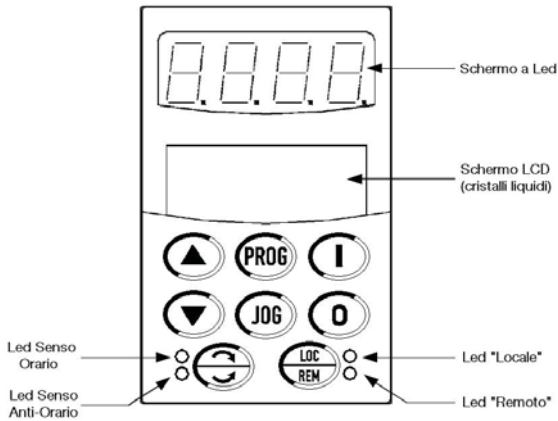
L'emergenza puó essere utilizzata eliminando l'alimentazione dei circuiti elettronici.



NOTA!

Per motivi di protezione nei riguardi di tutte le installazioni elettriche, si richiede l'uso di fusibili o di disgiuntori installati nel circuito d'ingresso. L'uso di fusibili del tipo ultrarapido non risulta essere necessario per il funzionamento del SSW06, però la loro applicazione é raccomandata per assicurare una piú completa protezione dei tiristori.

USO DELL' HMI



Tastiera di programmazione:

- Seleziona sullo schermo il numero del parametro e il suo valore (posizione / contenuto).
- Aumenta il numero del parametro o il valore dello stesso.
- Diminuisce il numero del parametro o il valore dello stesso.

Tastiera di selezione dei comandi:

- Seleziona l'origine dei comandi tra LOCALE o REMOTO. Parametro: P220 = 2 o 3.



NOTA!

Nella programmazione standard di fabbrica i comandi per la tastiera dell' HMI sono abilitati quando il modo Locale è selezionato.

Tastiera dei comandi:

- Azionare il motore (partenza). Dopo averlo azionato, con ogni tocco, commuta le indicazioni di accesso rapido sullo schermo.
- Disattivare il motore (stop). Resetta il SSW06 dopo che si verifica un errore.
- Inverte il senso di rotazione del motore mudando il senso di rotazione da orario ad antiorario e viceversa, tramite contatore o usando Jog. Parametro: P231.
- Quando utilizzato realizza la funzione JOG (se il motore fosse disabilitato, il SSW06 starebbe con Abilita Generale attivato e Jog attivo). Parametri: P51X.



NOTA!

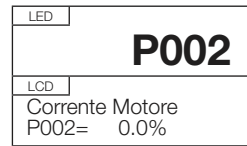
Queste funzioni possono essere anche eseguite, per ingressi digitali, comunicazioni seriali, fieldbus o SoftPLC. Parametri: P220, P229 e P230.

Visualizzazione e alterazione dei parametri:

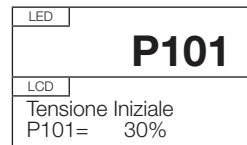


Schermata iniziale, quando energizzo il prodotto.

Premere

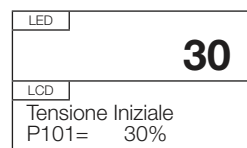


Tramite la tastiera e . Localizzare il parametro desiderato.



Per esempio, alterare P101.

Premere la tastiera

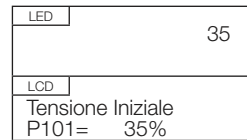


Valore ad essere modificato.

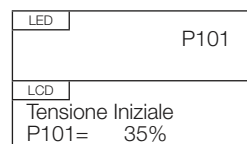


NOTA!

Per modificare il valore di un parametro è necessario alterare P000=Valore della password. Il valore della password standard è 5. Se non si dovesse sbloccare l'apparato tramite il parametro P000 sarebbe possibile solamente visualizzare i parametri ma non modificare i loro valori.



Tramite la tastiera e modificare il valore dei parametri.



Premere la tastiera e il valore sarà salvato.



NOTA!

Per i parametri che possono essere modificati con il motore in funzione e girando, il SSW06 inizia ad utilizzare immediatamente i nuovi valori selezionati. Per i parametri che possono essere modificati solamente con il motore fermo, il SSW06 inizia ad utilizzare i nuovi valori dei parametri, solo dopo aver premuto sulla tastiera il pulsante con il motore fermo.



NOTA!

Se fosse selezionato un valore di un parametro che risultasse essere incompatibile con un altro già programmato si avrebbe l' E24 - Errore di Programmazione.

I parametri del SSW06 possono essere raggruppati nel seguente modo in accordo con le loro funzionalità :

<p>Misurazioni</p> <p>Corrente P001, P002, P003, P030, P031, P032</p> <p>Tensione P004, P007, P033, P034, P035</p> <p>Frequenza P005</p> <p>Fattore di Potenza P008</p> <p>Momento Torcente P009</p> <p>Potenza P010 e P011</p> <p>KWh Consumate P044 e P045</p>	<p>Indicazioni</p> <p>Stato del SSW P006</p> <p>Stati delle DI e DOs P012 e P013</p> <p>Uscite Analogiche P027 e P028</p> <p>Stato della Classe Termica P050</p>	<p>Tipi di Controllo</p> <p>Selezione P202</p> <p>Rampa di Tensione P10X</p> <p>Limitazione di Corrente P11X</p> <p>Controllo del Momento Torcente P12X</p> <p>Controllo delle Pompe P13X</p>	<p>Ingressi e Uscite</p> <p>Ingressi Digitali P26X</p> <p>Uscite Digitali P27X</p> <p>Uscite Analogiche P25X</p>	<p>Locale / Remoto</p> <p>Selezione P220</p> <p>Locale P229</p> <p>Remoto P230</p>
<p>Configurazione dell' HMI</p> <p>Password P000 e P200</p> <p>Lingua P201</p> <p>Parametro Visualizzato P205</p> <p>Regolazione dello Schermo P218</p>	<p>Configurazioni del SSW06</p> <p>Connessione Delta P150</p> <p>Bypass esterno P140</p> <p>Tempo di auto-reset P206</p>	<p>Funzioni Speciali</p> <p>Verso del Giro P231</p> <p>Frenaggio P50X</p> <p>Jog P51X</p> <p>Modo di Partenza P52X</p>	<p>Comunicazione</p> <p>Seriale P308, P312, P313 e P314</p> <p>Fieldbus P085, P309, P310, P313, P315, P316 e P317</p>	<p>Protezione</p> <p>Protezioni di Tensione P60X</p> <p>Protezioni di Corrente P61X</p> <p>Sequenza di Fase P620</p> <p>Bypass Chiuso P621</p> <p>Intervallo tra le Partenze P630</p> <p>Classe Termica del Motore P64X</p> <p>Protezioni del Momento Torcente P65X</p> <p>Protezioni della Potenza P66X</p> <p>Protezioni del K-PT100 P67X, P68X e P69X</p> <p>Selezione tra Errore o Allarme P7XX</p>
<p>Dati</p> <p>Versione del Software P023</p> <p>Dati del SSW06 P29X</p> <p>Dati del Motor P40X</p>	<p>Copia di Sicurezza</p> <p>Carica / Salva P204</p> <p>Funzione Copia P215</p>	<p>Storico dei Guasti</p> <p>Ultimi Errori P014 a P019</p> <p>Corrente, Tensione e Stato nell' Attuazione P06X e P07X</p> <p>Errore Attuale P020</p> <p>Allarme Attuale P021</p>	<p>Diagnosi</p> <p>Ore Alimentato P042</p> <p>Ore Abilitato P043</p> <p>Dati di Partenza P047, P048, P049, P058 e P059</p> <p>Motore Azionato P053 a P057</p>	<p>SoftPLC</p> <p>Stato P088</p> <p>Permesso P089</p> <p>Abilitazione P950</p> <p>Espansione degli IOs P951</p> <p>Parametri dell'Utente P95X</p>

Per maggiori informazioni consultare il Manuale dell'Utente: Referenza Rapida dei Parametri – I. Parametri e II. Messaggi di Errore o Allarmi, Capitolo 6 – Descrizione Dettagliata dei Parametri e Capitolo 8 – Paragrafo 8.1 – Errori, Allarmi e Possibili Cause.

Stati del SSW06:



Soft-Starter pronto per essere azionato, "ready".



Soft-Starter con errore.



Soft-Starter con Allarme



NOTA!

Ci sono altri stati di funzionamento del SSW06, possono essere visualizzati tramite il parametro P006.

PREPARAZIONE PER L'ENERGIZZAZIONE



PERICOLO!

La rete di alimentazione deve sempre essere disconnessa prima di effettuare qualunque collegamento con il SSW06.

- Verificare tutte le connessioni: Verificare se le connessioni di potenza, controllo, messa a terra sono state fatte correttamente.
- Pulire la parte interna del SSW06: Rimuovere tutti i resti di materiali dall'interno dell'apparato.
- Verificare la corretta selezione della tensione di alimentazione dei ventilatori.
- Verificare il motore: Verificare le connessioni del motore e se la corrente e tensione sono in accordo con i valori nominali del SSW06.
- Verificare il tipo di connessione che esiste tra il motore e il SSW06: Se la connessione ad essere usata è quella standard a 3 fili oppure se il SSW06 è dentro della connessione delta del motore a 6 fili.
- Scollegare meccanicamente il motore dal carico: Se il motore non potesse essere scollegato, sarebbe opportuno essere certi che la rotazione dello stesso non causi danni alla macchina o rischi all'incolumità delle persone.
- Chiudere la parte superiore del SSW06 o dell'azionamento.

PRIMA VOLTA AD ESSERE ALIMENTATO

- Verificare le tensioni di alimentazione: Effettuare una misurazione della tensione della rete di alimentazione e verificare se il valore è contenuto nella fascia di valori consentiti [Per ulteriori informazioni consultare il Manuale dell'Uso - Capitolo 10 - Paragrafo 10.3 - Dati di Potenza 10.4 - Dati sull'Elettronica..

- Alimentare l'elettronica di potenza.



ATTENZIONE!

La prima volta ad essere alimentato, energizzare prima l'elettronica, programmare i parametri necessari per collocare in funzione il SSW06 e solamente dopo energizzare la parte di potenza.

- Verificare l'efficacia dell'energizzazione: Quando il SSW06 è alimentato per la prima volta o quando sono caricati i dati standard di fabbrica (P204 = 5) si avvia un processo di inizializzazione [Per ulteriori informazioni consultare il Manuale dell'Uso - Capitolo 5 - Figura 5.1 - Sequenza di parametri per la prima energizzazione].

Questo processo di inizializzazione richiede che l'utente programmi qualche parametro riguardante il SSW06 e il Motore:

- Lingua [P201].
- Tipo di connessione al motore [P150].
- Tipo di controllo [Tipi di Controllo].
- Dati di placca del motore [P40X].
- Protezione di Classe Termica del Motore [P64X].



NOTA!

In questa sequenza di settaggio dei parametri ci sono solamente i principali parametri per comprendere il funzionamento del SSW06.



ATTENZIONE!

È essenziale avere i dati del catalogo e di placca del motore che sarà utilizzato. Questi dati sono necessari per ottenere una corretta programmazione dei parametri di protezione.



ATTENZIONE!

La classe termica di protezione del motore deve essere programmata per proteggere il motore contro sovraccarichi che potrebbero esserci durante la partenza o nel pieno regime di funzionamento.

- Chiudere il sezionatore dell'entrata di potenza.
- Verificare le tensioni di alimentazione dei circuiti di potenza tramite i parametri P004, P033, P034 e P035.

Per maggiori informazioni sulla messa in funzione consultare il Manuale dell'Uso - Capitolo 5 - Paragrafo 5.3 - Messa in Funzione.

Per maggiori informazioni su esempi di programmazione dei tipi di controllo con differenti tipi di carico consultare il Manuale dell'Uso - Capitolo 7.



WEG Equipamentos Elétricos S.A.
Jaraguá do Sul - SC - Brazil
Phone 55 (47) 3276-4000 - Fax 55 (47) 3276-4020
São Paulo - SP - Brazil
Phone 55 (11) 5053-2300 - Fax 55 (11) 5052-4212
automacao@weg.net
www.weg.net



11622225

Document: 10001069241/00