

CPTW Series

Control Power Transformers

Compact and Economical Solutions



www.weg.net | 1-800-ASK-4WEG

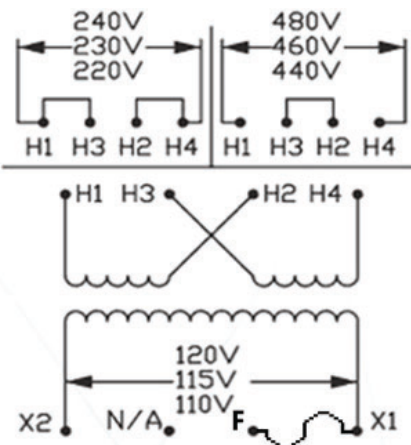
VOLTAGE TABLE

VA	Primary Voltage	Secondary Voltage	Part Number
50	220 x 440, 230 x 460, 240 x 480	110, 115, 120	CPTW050-AQC-F0
Max Depth	Max Width	Max Height	Mounting Depth
3.32"	3.00"	2.79"	2.00"
Mounting Width	Mounting Hole Depth	Mounting Hole Width	Phase
2.50"	0.20"	0.41"	1
Frequency	Shipping Weight	Voltage Group	
50/60 Hz	2.60 lbs.	A	

Notes:

- Jumper Link and Fuse Clip height not included
- Add 5/16" to the Depth (A) when fuse clips are included (50 thru 350VA)
- Add 1 3/8" to the Height (D) when fuse block is included (1, 2, and 3 poles) (50 thru 350VA)
- Add 1/2" to the Height (D) when fuse block is included (1, 2, and 3 poles) (500 thru 5000VA)

DIAGRAM



SPECIFICATIONS

- Class 130°C (266°F) insulation system with 55°C (131°F) temperature rise.
- All transformers up to 750VA come with pre-installed secondary fuse kits, ready to accept 13/32" x 1 1/2" midget or Class CC fuses.
- Two parallel jumper links come standard with transformers with dual primary voltages.
- All transformers up to 3kVA include a built-in mounting adapter for fuse blocks.