

Robust Solutions for Demanding Applications

UBW Series Molded Case Circuit Breakers

Robust and high protection solutions for various industrial applications. WEG offers UL489 UBW series three-pole molded case circuit breakers from 15A to 2500A in 80% standard ratings. The wide range of accessories is offered to provide solutions for all types of applications requiring electrical circuit protection.



Standard Features

- High capacity circuit breakers up to 2500A
- Multiple SCCR ratings: 35kA, 50kA, 65kA, and 100kA at 480VAC
- 80% rated for standard UL applications
- Maintenance mode for superior Arc Flash Protection
- Panel Mounted only
- Field or Factory installed options
- Optional multi-conductor line/load side lugs

Wide range of Field or Factory Installed Accessories

- Auxiliary and alarm switches
- Shunt trip and under-voltage release
- Complete kits for rotary and flange handles available in multiple lengths and NEMA ratings
- Rotary (handle + mechanism + shaft)
- Flange (handle + mechanism + cable)
- ON/OFF locking mechanisms
- Direct mount handles



Handle/Mechanism/Shafts



Flange Handle



Direct Mount Handle



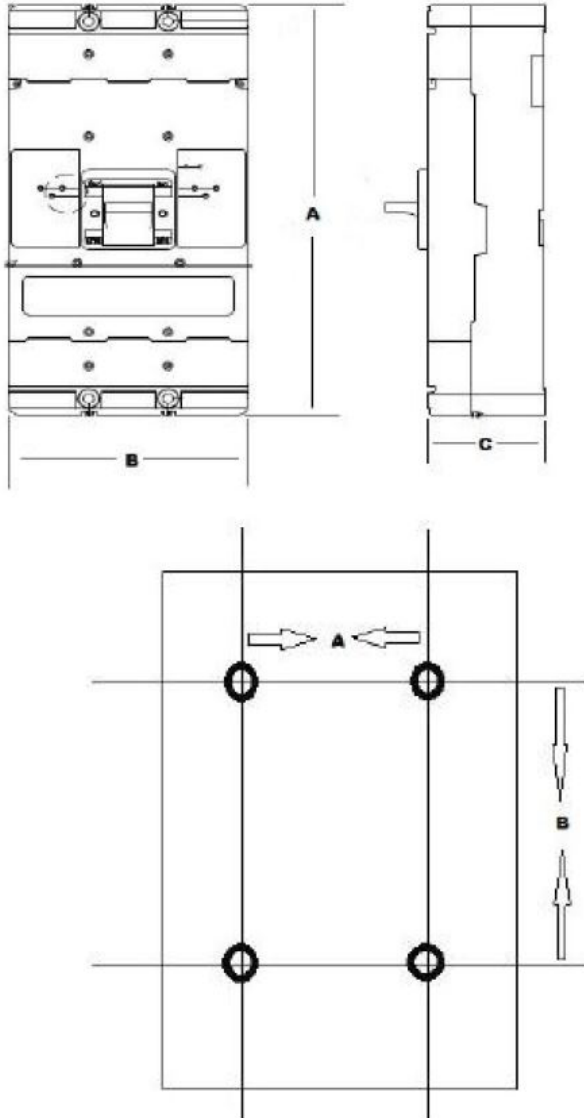
On/Off Locking Mechanisms

Molded Case Circuit Breakers – UBW Series

Dimensions

Outside Dimensions

Frames 225, 250, 400, 600, 800, 1200, 2500



Mounting Hole Dimensions

Frame	Dimensions	
	inches/mm	inches/mm
225	1.375/34.93	4.3/114.30
250	1.375/34.37	7.25/184.15
400	1.71/43.66	8.438/214.12
600	8.75/222.25	9.53/242.09
800	2.75/69.85	14.75/374.65
1200	2.75/69.85	18.43/374.65
2500	14.50/368.30	15.00/381.22

Overall Dimensions

Frame Size	Overall Dimensions		
	A inches/mm	B inches/mm	C inches/mm
225	6/152	4.1/104	3.5/89
250	10/254	4.1/104	4.3/110
400	10.12/257	5.49/139	4.3/110
600	10.75/253.05	8.25/209.6	4/110
800	16/406.4	8.22/208.74	4.06/103.18
1200	16/406.4	8.25/209.55	5.5/139.7
2500	16/406.4	15.5/393.7	9/228.6

Mounting Hardware

Frame	Qty.	Std Bolt Size	metric
225	4	5/32-32	M4-0.70
250	4	1/4-20	M6-1.0
400+	4	1/4-20	M6-1.0
600	4	1/4-20	M6-1.0
800	4	1/4-20	M6-1.0
1200*	4	5/16-18	M8-1.25
2500*	4	3/8-16	M11-150

* Supplied with Breakers



WEG Electric Corp.
6655 Sugarloaf Pkwy.
Duluth, GA 30097
Phone: 1-800-ASK-4WEG
www.weg.net

