

# Bottom Part of the KN1E-02

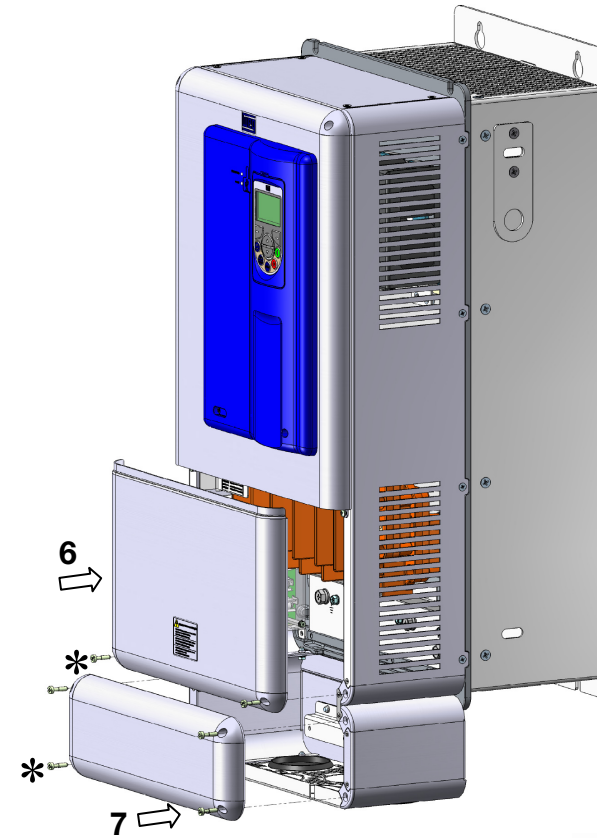
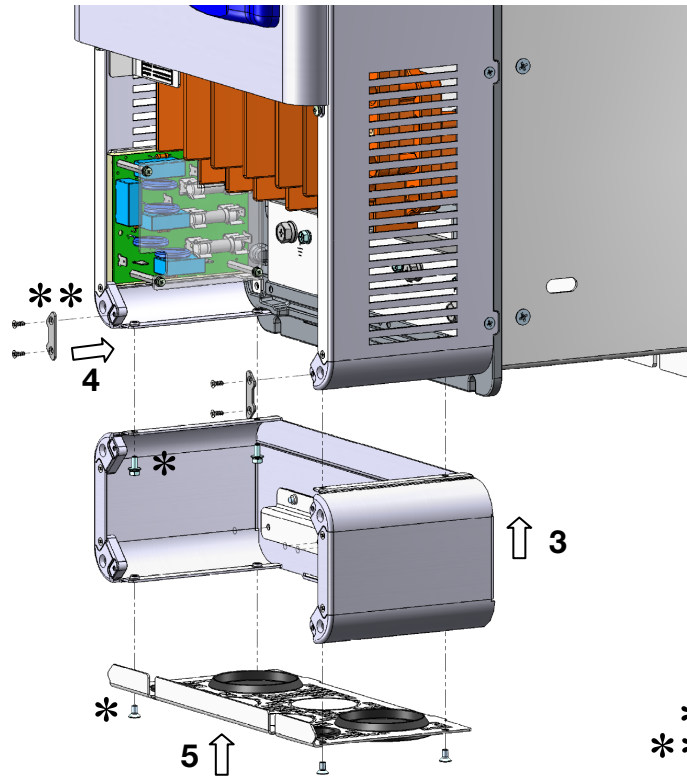
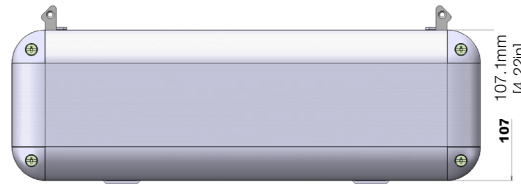
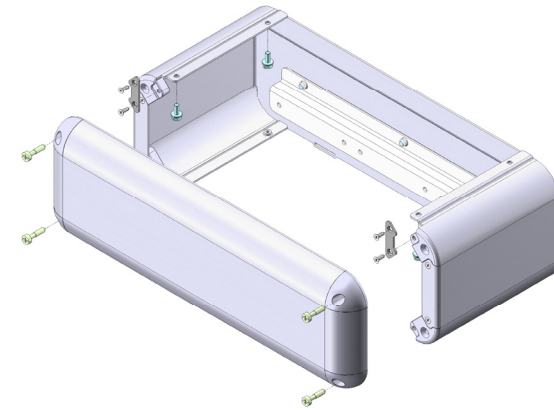
## Parte Inferior del KN1E-02

## Parte Inferior do KN1E-02

CFW-11/CFW70X

English/Español/Português

Document: 10000302506 / 01



\* Torque = M4: 2.5 N.m (22.1bf. in)  
 \*\* Torque = M3: 0.5 N.m (4.42bf. in)

