

INSTRUCTION MANUAL



AUXILIARY CONTACT / ALARM CONTACT

- Please read and follow this instruction manual before using products.
- This product must be installed and serviced by qualified electrical personnel.
- Please install this product only to the applicable frame types.

SAFETY PRECAUTIONS

- Before installation, wiring, operation, maintenance and inspection of the device, be sure to read the safety precautions carefully and follow the message to ensure proper operations.

- ⚠ **DANGER** : It may result in death or serious injury.
- ⚠ **CAUTION** : It may result in minor injury or physical damage.

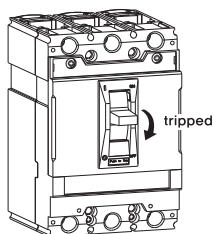
⚠ DANGER

1. Turn off the upstream circuit breaker before installing or servicing to prevent electric shocks and burns due to short circuit.

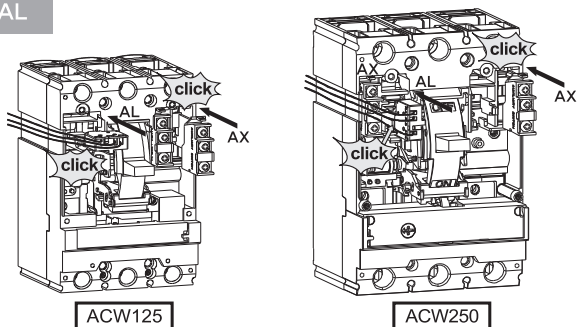
⚠ CAUTION

1. Before installation, read the manual carefully to ensure proper operation.
2. This manual should be given to the person who actually uses the products and is responsible for their maintenance.
3. If there is much pressure to the HOOK, HOOK will be broken.

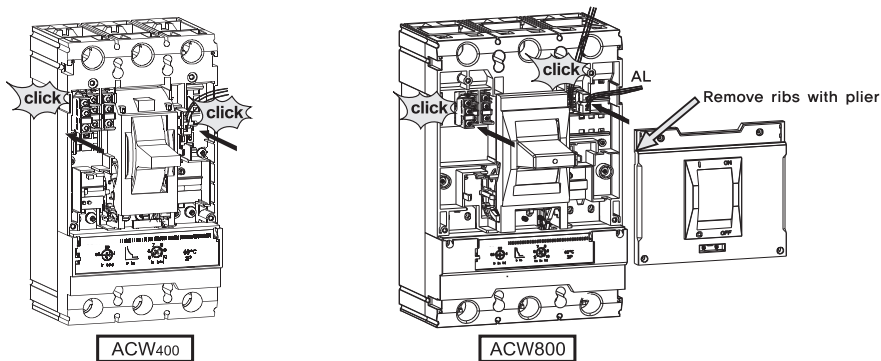
ACW125 ACW250
ACW400 ACW800



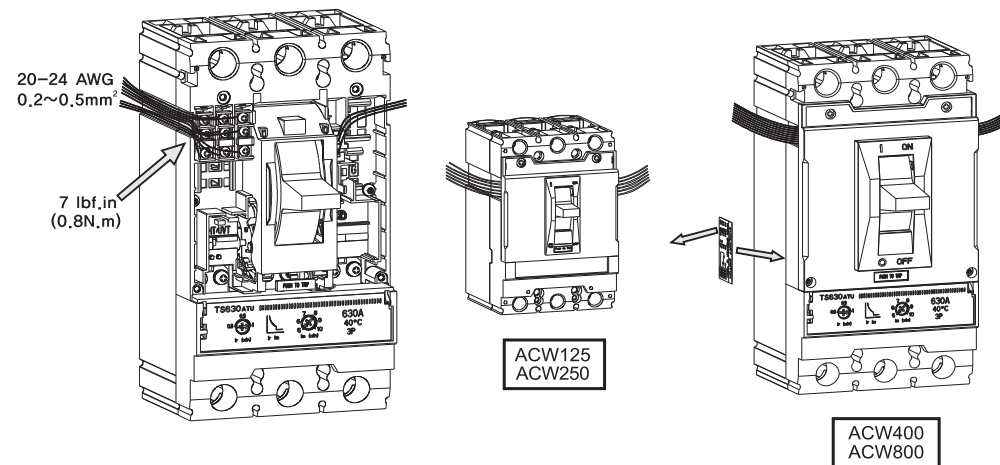
AX, AL



AX, AL



AX, AL



ACW	ON	OFF	TRIP
: AX Position			
: AL Position			

Phase (side)	Accessory	ACW125	ACW250	ACW400	ACW800
R(left)	AX	–	1	3	3
	AL	1	1	–	–
	SHT or UVT	1	1	1	1
T(Right)	AX	2	1	–	–
	AL	–	–	1	2



WEG DRIVES & CONTROLS – AUTOMAÇÃO Ltda.
Av. Prefeito Waldemar Grubba, 3000
89256-900 – Jaraguá do Sul – SC – Brasil
CNPJ: 14.309.992/0001-48
IE: 256.520.810
www.weg.net