

DANGER
 RISK OF ELECTRIC SHOCK,
 BURN OR EXPLOSION



1) TURN OFF AND LOCK OUT ALL POWER SUPPLYING THIS EQUIPMENT BEFORE WORKING ON OR INSIDE EQUIPMENT.

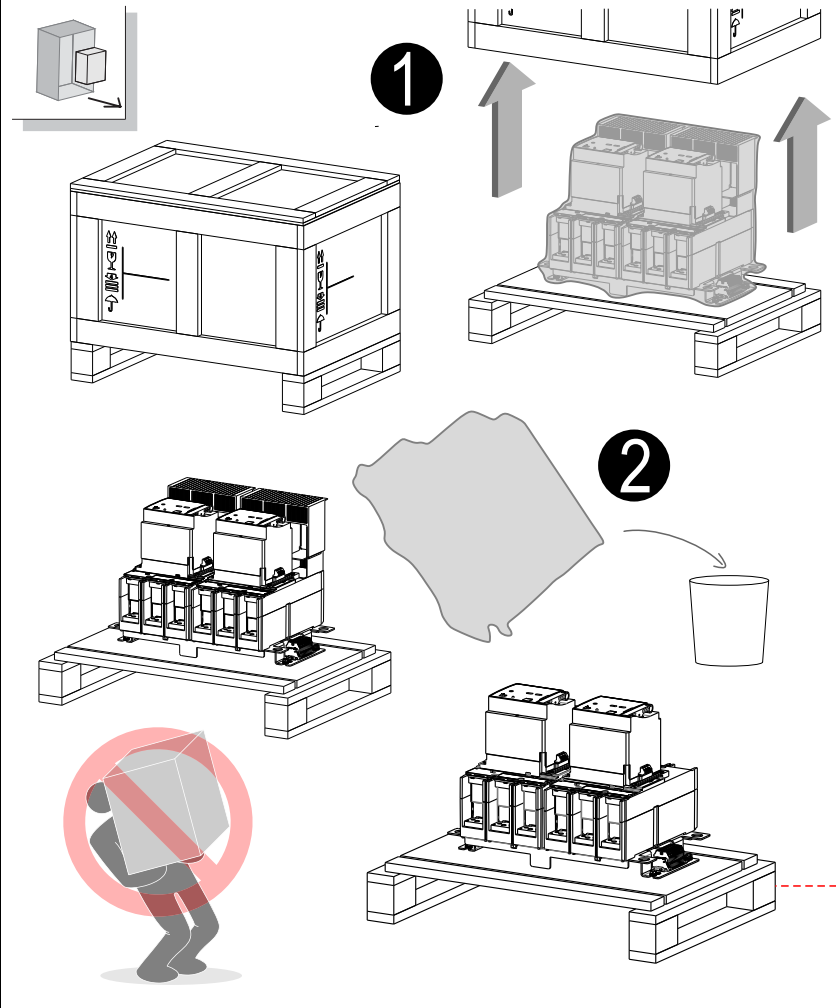
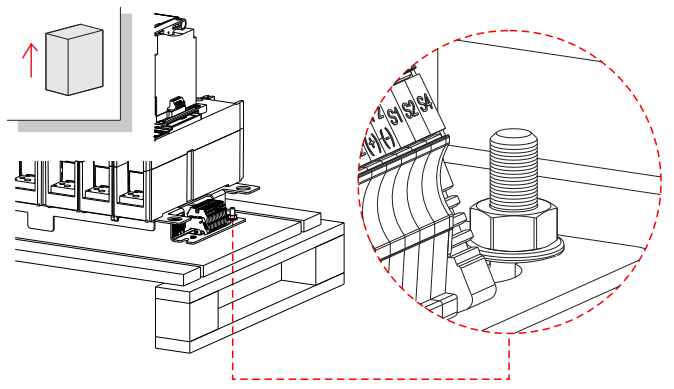
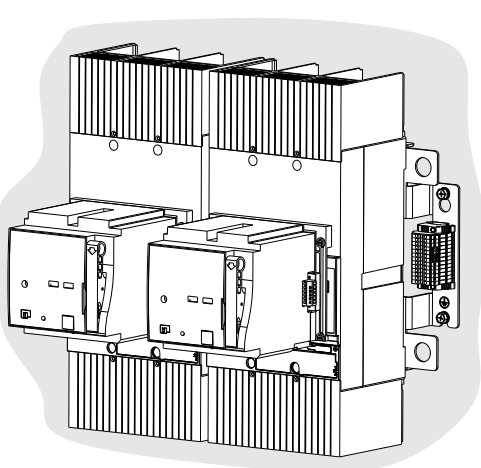
2) REPLACE ALL DEVICES, DOORS, AND COVERS BEFORE TURNING ON POWER TO THIS EQUIPMENT.

3) ALWAYS VERIFY THAT NO VOLTAGE IS PRESENT BEFORE WORKING ON OR INSIDE EQUIPMENT, AND ALWAYS FOLLOW GENERALLY ACCEPTED SAFETY PROCEDURES.

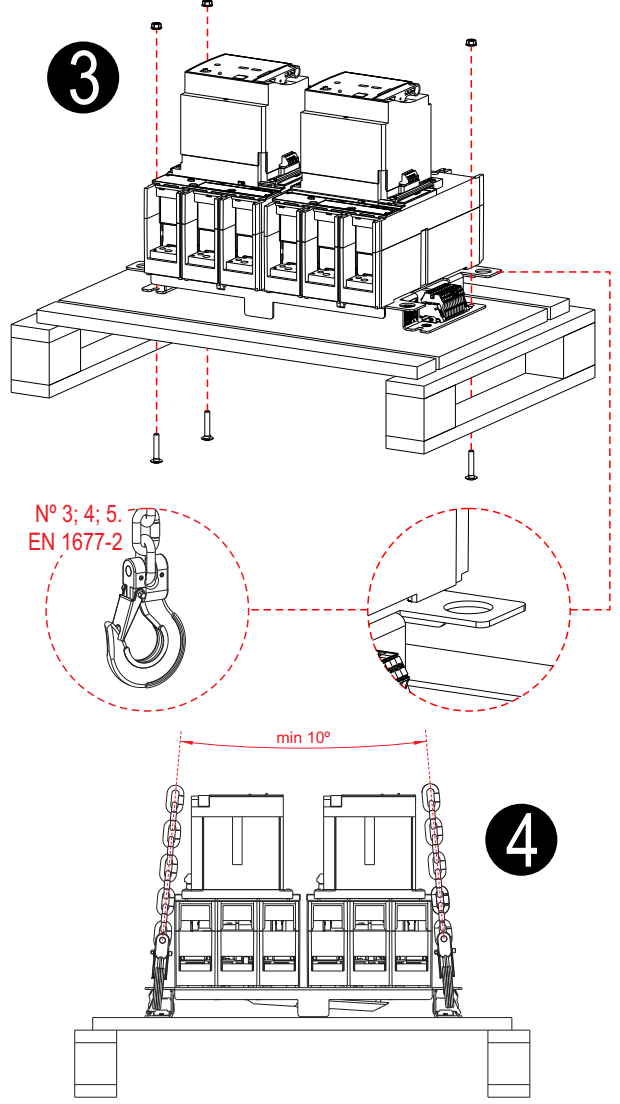
FAILURE TO FOLLOW THESE INSTRUCTIONS WILL RESULT IN DEATH OR SEVERE INJURY.

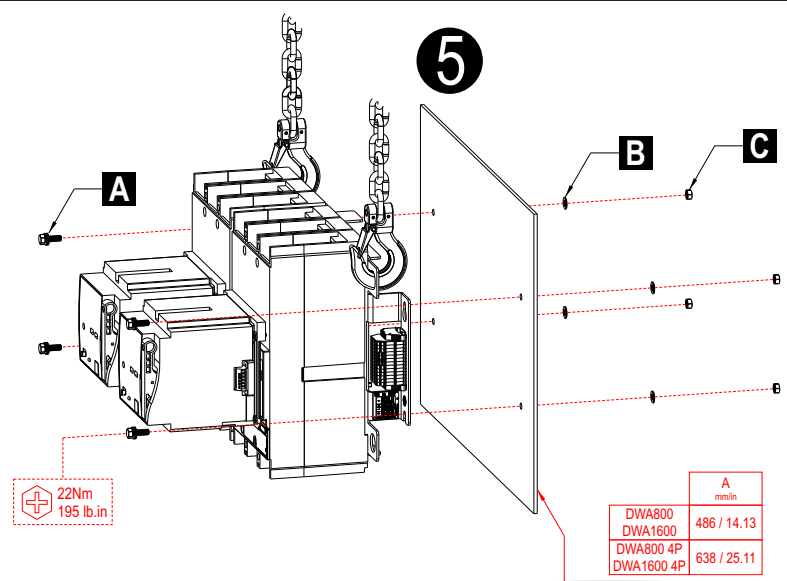
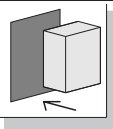
DWB800
DWB800 4P
DWB1000
DWB1000 4P
DWA1600
DWA1600 4P

10004013630.01
 www.weg.net
 WEG Automação

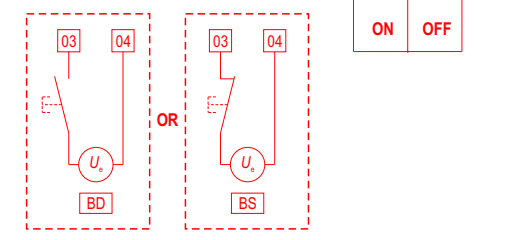
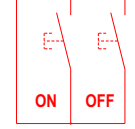
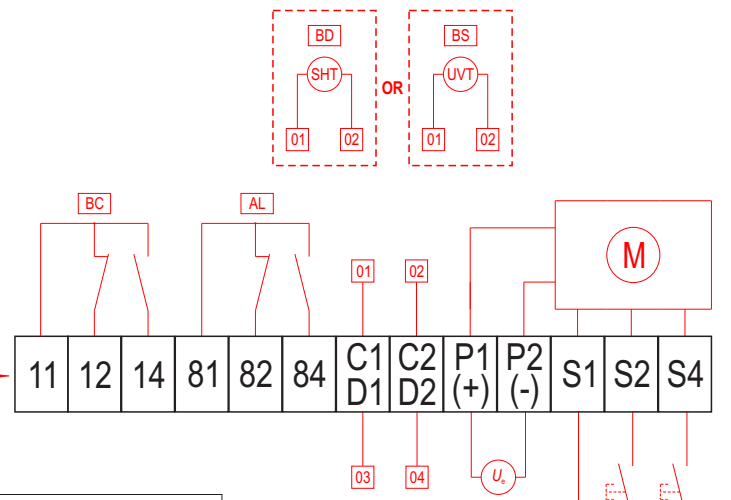
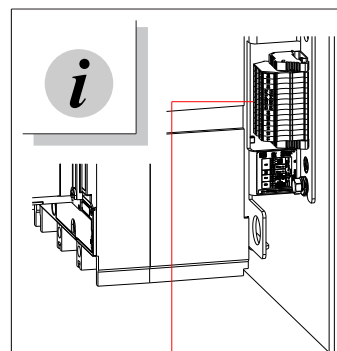
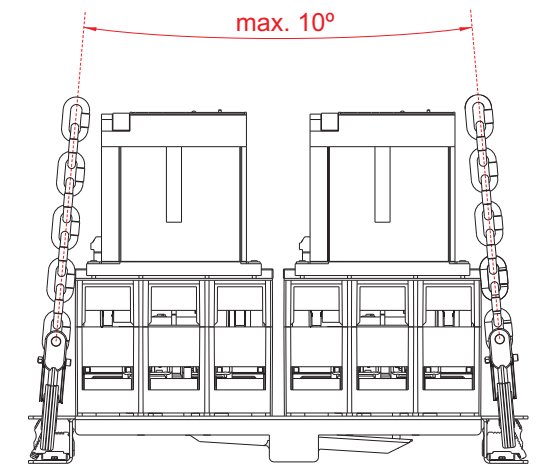
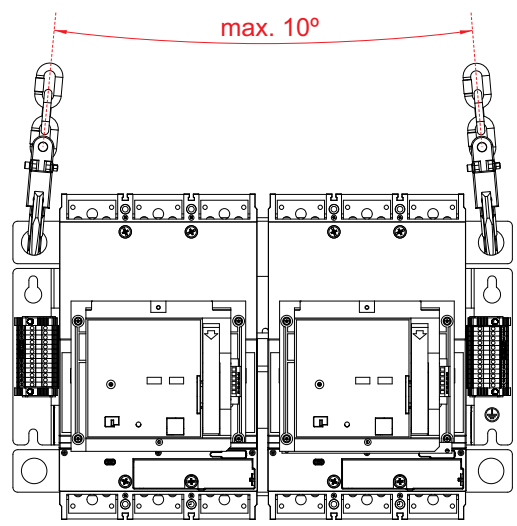
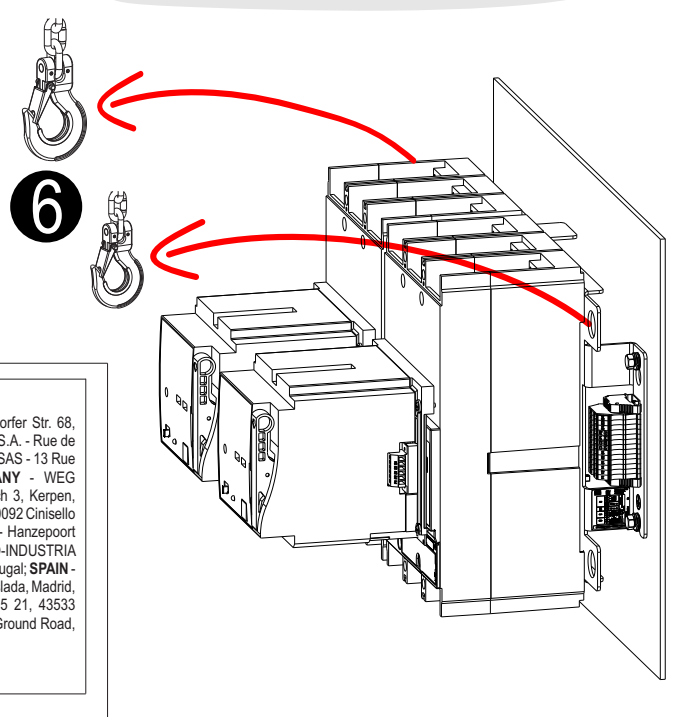
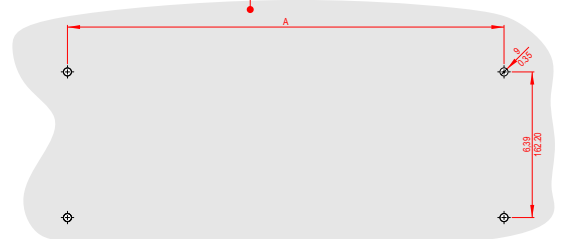


DWB800/1000	A 4X	D 4X
	B 4X	E 2X
	C 4X	
DWB800/1000 4P	A 4X	D 4X
	B 4X	F 2X
	C 4X	E 2X
DWA1600	A 4X	D 4X
	B 4X	E
	C 4X	E 2X
DWA1600 4P	A 4X	D 4X
	B 4X	F 2X
	C 4X	E 2X





	A mm/in
DWA800	486 / 14.13
DWA1600	486 / 14.13
DWA800 4P	638 / 25.11
DWA1600 4P	638 / 25.11



WEG IMPORTERS IN THE EUROPEAN UNION
AUSTRIA - WATT DRIVE ANTRIEBSTECHNIK GMBH - Wöllersdorfer Str. 68, 2753 Markt Piesting, Wiener, Austria; **BELGIUM** - WEG BENELUX S.A. - Rue de l'Industrie 30/D, 1400 Nivelles, Belgium; **FRANCE** - WEG FRANCE SAS - 13 Rue du Morellon, 38297 Saint Quentin Fallavier, France; **GERMANY** - WEG GERMANY GMBH - Geigerstraße 7, 50169 Industriegebiet Türich 3, Kerpen, Germany; **ITALY** - WEG ITALIA S.R.L. - Via Viganò de Vizzi, 93/95, 20092 Cinisello Balsamo, Milano, Italy; **NETHERLANDS** - WEG NETHERLANDS - Hanzepoort 23C, 7575 DB Oldenzaal, Netherlands; **PORTUGAL** - WEG EURO-INDUSTRIA ELECTRICAS.A. - R. Eng. Frederico Ulrich 605, 4471-908 Maia, Portugal; **SPAIN** - WEG IBERIA INDUSTRIAL S.L. - C/ Tierra de Barros, 5-7, 28823 Coslada, Madrid, Spain; **SCANDINAVIA** - WEG SCANDINAVIA AB - Box 27, 435 21, 43533 Mölnlycke, Sweden; **UNITED KINGDOM** - WEG (UK) LTD - Broad Ground Road, Redditch B988YP, Worcestershire, United Kingdom.
Information valid for WEG Group Importers.

GARANTIA / WARRANTY / GARANTÍA / GEWÄHRLEISTUNG:
 A WEG oferece garantia limitada contra defeitos de fabricação ou de materiais de seus produtos. Para mais informações acesse nosso site:
 WEG provides a limited warranty for its products against defects in materials and workmanship. For more information access our site:
 WEG ofrece garantía limitada contra defectos de fabricación o de materiales de sus productos. Para más informaciones acceda al WEB sitio:
 WEG bietet eine beschränkte Gewährleistung für ihre Produkte gegen Herstellungs- und Materialfehler. Für weitere Informationen besuchen Sie bitte unsere Webseite:
www.weg.net/warranty-automation