

CFW500 - NEMA4X/IP66 WASHDOWN DRIVE

Rated for Installation in
Direct Sunlight

Motors

Automation

Energy

Transmission and
Distribution

Coatings



CFW500-N4X/IP66 WASHDOWN DRIVE

The WEG CFW500 Wash series is a redesign of our most successful CFW500 series product line. Engineer improvements have produced one of the most compact and full featured washdown drive in the market.

The new version with IP66/NEMA 4X protection rating increases the product robustness, ensuring protection against the ingress of dust and water jets from any direction, which allows its use and installation both indoors and outdoors. The new IP66 models of the CFW500 line have the following characteristics.

Standard Features

- Same programming as other WEG VFDs including CFW500-IP20.
- Built-in SoftPLC.
- Scalar, Vector Control (Senseless and closed loop with encoder feedback) & VVW PM (suitable for fan, Pump and compressor).
- NEMA 4X(IP66) Enclosure.
- Available with and without disconnect switch.
- Suitable for indoor and Outdoor use.
- 200-240V, 380-480V or 500-600 input voltage.
- 0 to 500 Hz output frequency.
- 2.5 to 15 kHz adjustable switching frequency (5 kHz standard)
- Built-in 24Vdc Power supply (max. 150 mA).
- Built-in RS-485 (Modbus RTU) communication.
- Four isolated programmable digital inputs.
- One programmable relay output (1NO, 1NC, 240vac 0.5A).
- One programmable transistor output.
- One isolated programmable analog input (0-10V, 0/4-20mA).
- One isolated programmable analog output (0-10V, 0/4-20mA).
- Protective features: Over current (Phase-Phase short circuit in the output or phase-ground short circuit in the output), Under/overvoltage, overtemperature in heatsink, motor overload, IGBT overload and external fault.
- Control features: Linear and "S" ramp acceleration and deceleration, local/remote control, DC braking, torque boost, motor slip compensation, electronic pot, preset speeds, adjustable V/Hz profile, maximum and minimum adjustable frequency limits, two skip frequencies, adjustable output current limit, JOG, ride-thru, flying start and PID regulator.
- Same keypad with backlight as of CFW500 product line with Main display line, secondary display line and bar graph display.
- Ambient: 14°F (-10°C) to 104°F (40°C), 3300ft (1000m) altitude, 5-95% humidity, non-condensing.
- WLP and WPS (only 230VAC and 460VAC Models) compatible.

For Indoor / Outdoor Use



Applications NEMA 4X

- Pumps
- Fans
- Blowers
- Conveyors
- Rollout tables
- Agitators
- Mixers
- Any washdown applications

Pump Genius

The Pump Genius is a customizable feature of WEG drives that enables your standard CFW500 to become dedicated for pumping systems. It ensures accurate pressure / flow control throughout the processing cycle, starting with raw water and its usage, ending on wastewater treatment. With an easy-to-use programming wizard, Pump Genius helps you to minimize downtime and maximize energy savings. Everything you need is selecting one option that best fits your application:

simplex

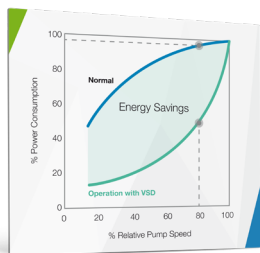
The Pump Genius Simplex software adds ideal features to the VFD for single pump control.

multipump

Pump Genius Multipump allows driving two or more pumps with only one inverter.

multiplex

Pump Genius Multiplex permits the VFDs to control, monitor and manage the entire system on their own, eliminating the need of external PLC.



Energy Savings

The use of the CFW500 with the Pump Genius Multipump improves the performance and provides electric energy savings. Using this solution together with WEG W22 Premium motors, and reducing the pump speed even if slightly, it is possible to reduce the electric energy consumption by approximately 15%, thus contributing to the sustainable development of the planet.



Broken Pipe Alarm

Pump Genius detects when the pump is consuming more electric energy than it should, by means of information on the pump load and speed, automatically generating an alarm warning of leaky pipes. In addition, with the monitoring of the system pressure, a clogging condition may be detected by configuring the maximum pressure to trigger the alarm of clogged pipe.

Embedded Safety Functions - with optional Module, CFW500-SFY2

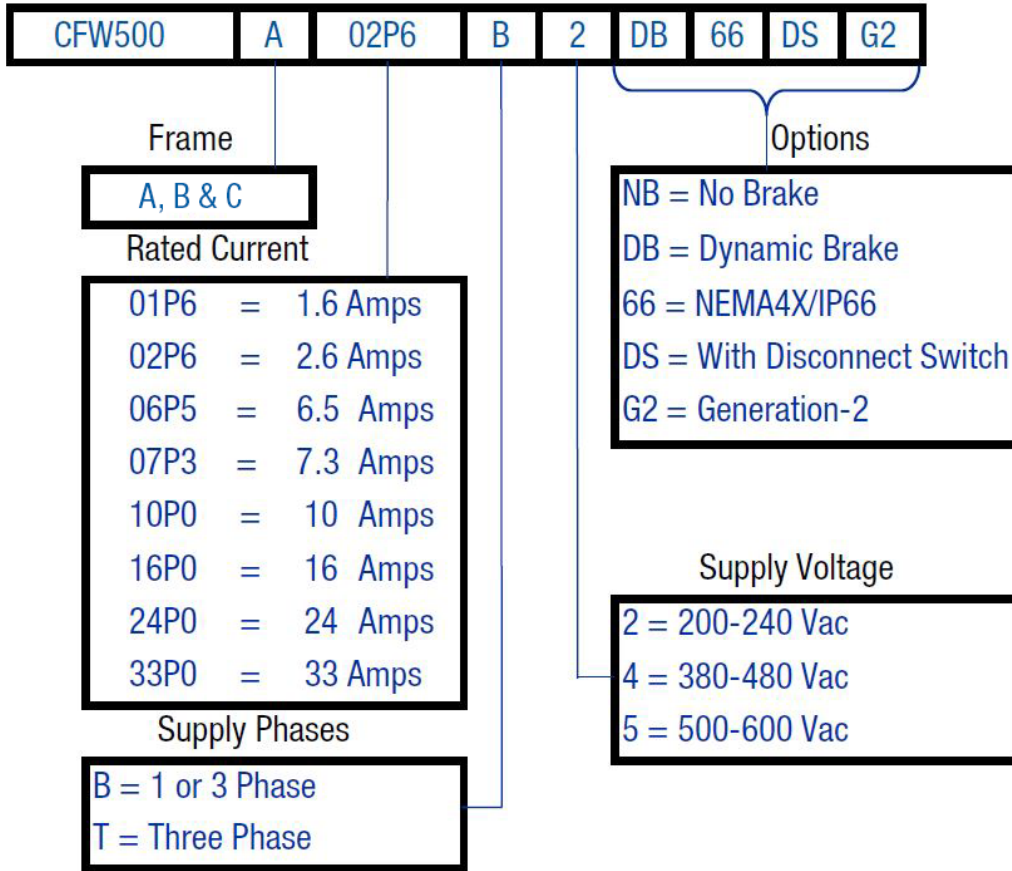
Used to reduce risk and to guarantee the safety of personnel and environment if there is a hazardous event due to a fault in operating machines. The embedded safety functions **STO and SS1** provide machine builders a cost-effective solution to design protective measures and reduce the risk from unexpected and hazardous movement in industrial machines and processes.

Advantages

- Safety functions integrated in the CFW500 drive, making easier to comply with the machine and application safety requirements
- Less components, no need for additional wiring, saving space and installation costs
- Easier installation, commissioning and maintenance
- No electromechanical components, meaning faster responses and higher degree of productivity
- Due to the high safety performance level SIL3, the CFW500 with Safety module may avoid the use of external safety relays for cables and emergency pushbuttons monitoring



CFW500-N4X/IP66 Catalog Number Sequence



CFW500 - N4X/IP66 WASHDOWN VFD W/O DISCONNECT SWITCH

Motor Voltage	ND/VT ¹		HD/CT ¹		Catalog Number	Braking Transistor	Frame Size ⁴	Dimensions (in.) HxWxD	Approx. Weight (lbs.)	
	Motor HP ²	Drive Amps ³	Motor HP ²	Drive Amps ³						
230 Vac / 3 Phase	Input Power Supply: Single or Three-Phase 200-240 Vac									
	1/3	1.6	1/3	1.6	CFW500A01P6B2DB66G2	Yes	A	10.4 x 6.5 x 8.9	22.0	
	3/4	2.6	3/4	2.6	CFW500A02P6B2DB66G2	Yes	A	10.4 x 6.5 x 8.9	22.0	
	1 1/2	4.3	1 1/2	4.3	CFW500A04P3B2DB66G2	Yes	A	10.4 x 6.5 x 8.9	22.0	
	2	7.3	2	7.3	CFW500A07P3B2DB66G2	Yes	A	10.4 x 6.5 x 8.9	22.0	
	3	10	3	10	CFW500A10P0B2DB66G2	Yes	A	10.4 x 6.5 x 8.9	22.0	
	Input Power Supply: Three-Phase 200-240 Vac									
	5	16	5	16	CFW500A16P0T2DB66G2	Yes	A	10.4 x 6.5 x 8.9	22.0	
	7 1/2	24	7 1/2	24	CFW500B24P0T2DB66G2	Yes	B	13.4 x 8.5 x 8.9	26.5	
	10	28	10	28	CFW500B28P0T2DB66G2	Yes	B	13.4 x 8.5 x 8.9	26.5	
	10	33	10	33	CFW500B33P0T2DB66G2	Yes	B	13.4 x 8.5 x 8.9	26.5	
	15	47	15	47	CFW500C47P0T2DB66G2	Yes	C	18.7 x 12.6 x 11.4	45.0	
	25	70	20	56	CFW500C56P0T2DB66G2	Yes	C	18.7 x 12.6 x 11.4	45.0	
	460 Vac / 3 Phase	Input Power Supply: Three-Phase 380-480 Vac								
		1/2	1	1/2	1	CFW500A01P0T4DB66G2	Yes	A	10.4 x 6.5 x 8.9	22.0
1		1.6	1	1.6	CFW500A01P6T4DB66G2	Yes	A	10.4 x 6.5 x 8.9	22.0	
1 1/2		2.6	1 1/2	2.6	CFW500A02P6T4DB66G2	Yes	A	10.4 x 6.5 x 8.9	22.0	
3		4.3	3	4.3	CFW500A04P3T4DB66G2	Yes	A	10.4 x 6.5 x 8.9	22.0	
5		6.5	5	6.5	CFW500A06P5T4DB66G2	Yes	A	10.4 x 6.5 x 8.9	22.0	
7 1/2		10	7 1/2	10	CFW500A10P0T4DB66G2	Yes	A	10.4 x 6.5 x 8.9	22.0	
10		14	10	14	CFW500B14P0T4DB66G2	Yes	B	13.4 x 8.5 x 8.9	26.5	
10		16	10	16	CFW500B16P0T4DB66G2	Yes	B	13.4 x 8.5 x 8.9	26.5	
15		24	15	24	CFW500B24P0T4DB66G2	Yes	B	13.4 x 8.5 x 8.9	26.5	
25		31	25	31	CFW500B31P0T4DB66G2	Yes	B	13.4 x 8.5 x 8.9	26.5	
30		45	30	39	CFW500C39P0T4DB66G2	Yes	C	18.7 x 12.6 x 11.4	45.0	
50		59.2	40	49	CFW500C49P0T4DB66G2	Yes	C	18.7 x 12.6 x 11.4	45.0	
575 Vac / 3 Phase	Input Power Supply: Three-Phase 500-600 Vac									
	1 1/2	1.7	1 1/2	1.7	CFW500B01P7T5DB66	Yes	B	13.4 x 8.5 x 8.9	26.5	
	3	3	3	3	CFW500B03P0T5DB66	Yes	B	13.4 x 8.5 x 8.9	26.5	
	3	4.3	3	4.3	CFW500B04P3T5DB66	Yes	B	13.4 x 8.5 x 8.9	26.5	
	7 1/2	7	7 1/2	7	CFW500B07P0T5DB66	Yes	B	13.4 x 8.5 x 8.9	26.5	
	10	10	10	10	CFW500B10P0T5DB66	Yes	B	13.4 x 8.5 x 8.9	26.5	
	10	12	10	12	CFW500B12P0T5DB66	Yes	B	13.4 x 8.5 x 8.9	26.5	

NOTES:

1. ND (Normal Duty) / VT (Variable Torque): 110% Overload / 60 Sec;
HD (Heavy Duty) / CT (Constant Torque): 150% Overload / 60 Sec;
2. "HP" rating based on WEG W22 motors "average FLA values". Use as a guide only.
3. Motor FLA may vary with speed and manufacturer. ALWAYS compare motor FLA to Nominal AMPS of drive.
4. Frame Size A, B & C are rated for 40°C ambient temperature.



CFW500 - N4X/IP66 WASHDOWN VFD WITH DISCONNECT SWITCH

Motor Voltage	ND/VT ¹		HD/CT ¹		Catalog Number	Braking Transistor	Frame Size ⁴	Dimensions (in.) HxWxD	Approx. Weight (lbs.)	
	Motor HP ²	Drive Amps ³	Motor HP ²	Drive Amps ³						
230 Vac / 3 Phase	Input Power Supply: Single or Three-Phase 200-240 Vac									
	1/3	1.6	1/3	1.6	CFW500A01P6B2DB66DSG2	Yes	A	10.4 x 6.5 x 9.9	22.0	
	3/4	2.6	3/4	2.6	CFW500A02P6B2DB66DSG2	Yes	A	10.4 x 6.5 x 9.9	22.0	
	1 1/2	4.3	1 1/2	4.3	CFW500A04P3B2DB66DSG2	Yes	A	10.4 x 6.5 x 9.9	22.0	
	2	7.3	2	7.3	CFW500A07P3B2DB66DSG2	Yes	A	10.4 x 6.5 x 9.9	22.0	
	3	10	3	10	CFW500A10P0B2DB66DSG2	Yes	A	10.4 x 6.5 x 9.9	22.0	
	Input Power Supply: Three-Phase 200-240 Vac									
	5	16	5	16	CFW500A16P0T2DB66DSG2	Yes	A	10.4 x 6.5 x 9.9	22.0	
	7 1/2	24	7 1/2	24	CFW500B24P0T2DB66DSG2	Yes	B	13.4 x 8.5 x 9.9	26.5	
	10	28	10	28	CFW500B28P0T2DB66DSG2	Yes	B	13.4 x 8.5 x 9.9	26.5	
	10	33	10	33	CFW500B33P0T2DB66DSG2	Yes	B	13.4 x 8.5 x 9.9	26.5	
	15	47	15	47	CFW500C47P0T2DB66DSG2	Yes	C	18.7 x 12.6 x 12.4	45.0	
	25	70	20	56	CFW500C56P0T2DB66DSG2	Yes	C	18.7 x 12.6 x 12.4	45.0	
	460 Vac / 3 Phase	Input Power Supply: Three-Phase 380-480 Vac								
1/2		1	1/2	1	CFW500A01P0T4DB66DSG2	Yes	A	10.4 x 6.5 x 9.9	22.0	
1		1.6	1	1.6	CFW500A01P6T4DB66DSG2	Yes	A	10.4 x 6.5 x 9.9	22.0	
1 1/2		2.6	1 1/2	2.6	CFW500A02P6T4DB66DSG2	Yes	A	10.4 x 6.5 x 9.9	22.0	
3		4.3	3	4.3	CFW500A04P3T4DB66DSG2	Yes	A	10.4 x 6.5 x 9.9	22.0	
5		6.5	5	6.5	CFW500A06P5T4DB66DSG2	Yes	A	10.4 x 6.5 x 9.9	22.0	
7 1/2		10	7 1/2	10	CFW500A10P0T4DB66DSG2	Yes	A	10.4 x 6.5 x 9.9	22.0	
10		14	10	14	CFW500B14P0T4DB66DSG2	Yes	B	13.4 x 8.5 x 9.9	26.5	
10		16	10	16	CFW500B16P0T4DB66DSG2	Yes	B	13.4 x 8.5 x 9.9	26.5	
15		24	15	24	CFW500B24P0T4DB66DSG2	Yes	B	13.4 x 8.5 x 9.9	26.5	
25		31	25	31	CFW500B31P0T4DB66DSG2	Yes	B	13.4 x 8.5 x 9.9	26.5	
30		45	30	39	CFW500C39P0T4DB66DSG2	Yes	C	18.7 x 12.6 x 12.4	45.0	
50		59.2	40	49	CFW500C49P0T4DB66DSG2	Yes	C	18.7 x 12.6 x 12.4	45.0	
575 Vac / 3 Phase	Input Power Supply: Three-Phase 500-600 Vac									
	1 1/2	1.7	1 1/2	1.7	CFW500B01P7T5DB66DS	Yes	B	13.4 x 8.5 x 9.9	26.5	
	3	3	3	3	CFW500B03P0T5DB66DS	Yes	B	13.4 x 8.5 x 9.9	26.5	
	3	4.3	3	4.3	CFW500B04P3T5DB66DS	Yes	B	13.4 x 8.5 x 9.9	26.5	
	7 1/2	7	7 1/2	7	CFW500B07P0T5DB66DS	Yes	B	13.4 x 8.5 x 9.9	26.5	
	10	10	10	10	CFW500B10P0T5DB66DS	Yes	B	13.4 x 8.5 x 9.9	26.5	
10	12	10	12	CFW500B12P0T5DB66DS	Yes	B	13.4 x 8.5 x 9.9	26.5		

NOTES:

1. ND (Normal Duty) / VT (Variable Torque): 110% Overload / 60 Sec;

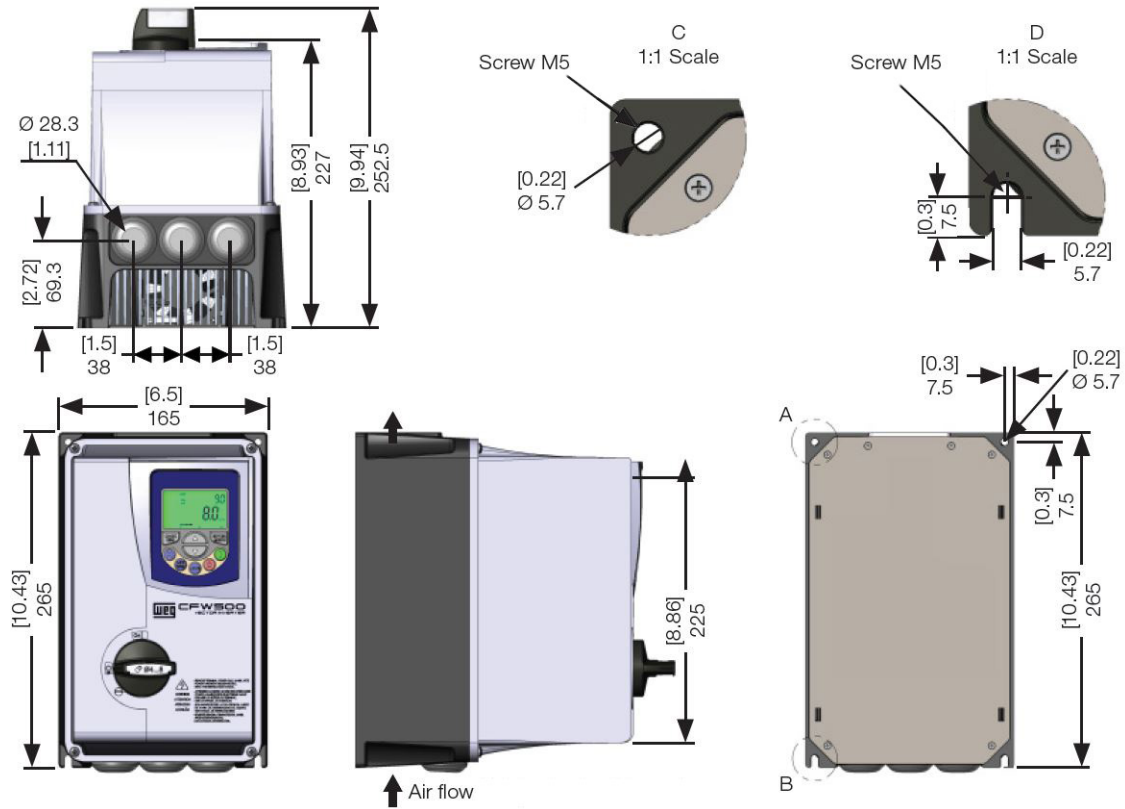
HD (Heavy Duty) / CT (Constant Torque): 150% Overload / 60 Sec;

2. "HP" rating based on WEG W22 motors "average FLA values". Use as a guide only.

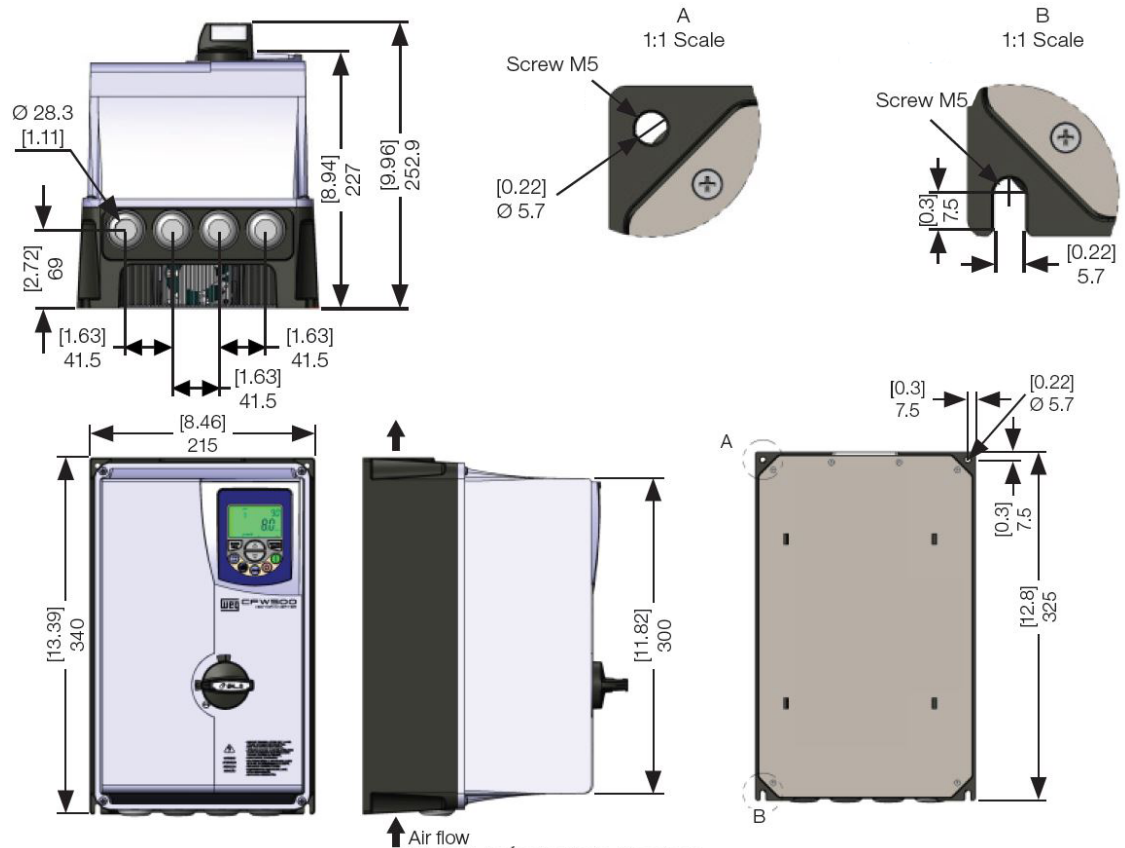
3. Motor FLA may vary with speed and manufacturer. ALWAYS compare motor FLA to Nominal AMPS of drive.

4. Frame Size A, B & C are rated for 40°C ambient temperature.

Dimensions of CFW500 – N4X/IP66, Frame-A



Dimensions of CFW500 – N4X/IP66, Frame-B



Options and Accessories

Type	CATALOG NUMBER	Description	Apprx. Shpg. Wt. (lbs.)
I/O	CFW500-IOS ¹	CFW500 I/O Module; 4 DI, 1 AI, 1 AO, 1 DOR, 1 DOT, 1 RS485, 10vdc, 24vdc	0.2
I/O	CFW500-IOD	CFW500 I/O Module; 8 DI, 1 AI, 1 AO, 1 DOR, 4 DOT, 1 RS485, 10vdc, 24vdc	0.2
I/O	CFW500-IOAD	CFW500 I/O Module; 6 DI, 3 AI, 2 AO, 1 DOR, 3 DOT, 1 RS485, 10vdc, 24vdc	0.2
I/O	CFW500-IOR-B	CFW500 I/O Module; 5 DI, 1 AI, 1 AO, 4 DOR, 1 DOT, 1 RS485, 10vdc, 24vdc	0.2
Encoder Input	CFW500-ENC	CFW500 Encoder Module; Quad Input A & B, 1 RS485, 5 DI, 1 AI, 1 AO, 3 DOR, 1 DOT, 24vdc	0.2
USB Card	CFW500-CUSB	CFW500 Comm. Module; 1 USB, 1 RS485, 4 DI, 1 AI, 1 AO, 1 DOR, 1 DOT, 10vdc, 24vdc	0.2
RS232 Card	CFW500-CRS232	CFW500 Comm. Module; 1 RS232, 1 RS485, 4 DI, 1 AI, 1 AO, 1 DOR, 1 DOT, 24vdc	0.2
RS485 Card	CFW500-CRS485-B	CFW500 Comm. Module; 2 RS485, 4 DI, 2 AI, 1 AO, 2 DOR, 1 DOT, 10vdc, 24vdc	0.2
CANopen Card	CFW500-CCAN	CFW500 Comm. Module; 1 CAN/DeviceNet, 1 RS485, 2 DI, 1 AI, 1 AO, 1 DOR, 1 DOT, 10vdc, 24vdc	0.2
Profibus DP & DP-V1 Module	CFW500-CPDP2	CFW500 Comm. Module; 1-Profibus DP & DP-V1 100BASE TX RJ-45 Port, 1-RS485, 2-DI, 1-AI, 1-AO, 1-DOR, 1-DOT, 24vdc (Terminal Block Connector)	0.2
Modbus TCP Comm. Module	CFW500-CEMB-TCP	CFW500 Comm. Module; 1-Modbus TCP 100BASE TX RJ-45 Port, 1-RS485, 2-DI, 1-AI, 1-AO, 1-DOR, 1-DOT, 24vdc	0.2
ProfiNet I/O Comm. Module	CFW500-CEPN-IO	CFW500 Comm. Module; 1-ProfiNet I/O 100BASE TX RJ-45 Port, 1-RS485, 2-DI, 1-AI, 1-AO, 1-DOR, 1-DOT, 24vdc	0.2
EtherNet IP Comm. Module	CFW500-CETH-IP	CFW500 Comm. Module; 2-DI, 1-AI, 1-AO, 1-DOR, 1-DOT, 1-RS485, 1-EtherNet IP 100BASE TX RJ-45 Port, 24vdc	0.2
Dual Port Ethernet Module (Ethernet/IP or Modbus TCP)	CFW500-CETH2	CFW500 Dual Port Comm. Module; 2-DI, 1-AI, 1-DOT, 1-RS485, 2-EtherNet 100BASE TX RJ-45 Ports. Note: The module will require external 24vdc power to use 1-DOT. The CFW500-G2 drive must have FM V3.9x or above to use this module.	0.3
STO Module	CFW500-SFY2 ²	CFW500 Safety Function Module; Safe Torque Off (STO) / Stop Category 0, Safe Stop 1 Time Controlled (SS1-t) / Stop Category 1; Safety Category: SIL 3, PL e	1.8
STO Module Plug	CFW50X-STO-JMP	CFW50x STO module plug	0.2
Flash Memory Module	CFW500-MMF	CFW500 Flash Memory Module for saving and reloading program and parameters to / from the drive.	0.2
Remote Keypad - Non Text	CFW500-HMIR ³	CFW500 Remote non-text Keypad for mounting through enclosure door (Mounting Frame Kit is not required).	0.6
Remote Keypad - Advanced Text	HMI-01 ⁴	CFW500 Remote Advanced Text Keypad for mounting through enclosure door (Mounting Frame Kit is required).	0.4
Remote Keypad - Advanced Text Frame Kit	CFW500-RHMIF	CFW500 Remote Advanced Text Keypad enclosure door mounting frame kit	0.5
HMI Cable 1M	CFW500-CCHMIR01M	3.3 ft (1 meter) Remote Keypad Cable	0.5
HMI Cable 2M	CFW500-CCHMIR02M	6.6 ft (2 meter) Remote Keypad Cable	0.7
HMI Cable 3M	CFW500-CCHMIR03M	9.9 ft (3 meter) Remote Keypad Cable	1.0
HMI Cable 5M	CFW500-CCHMIR05M	16 ft (5 meter) Remote Keypad Cable	1.2
HMI Cable 7.5M	CFW500-CCHMIR075M	25 ft (7.5 meter) Remote Keypad Cable	1.5
HMI Cable 10M	CFW500-CCHMIR010M	33 ft (10 meter) Remote Keypad Cable	2.0

Notes:

1. CFW500-IOS Card is included as standard with CFW500-IP66 Drives.
2. The Safety Function Module can be installed in the CFW500-IP66 drives in addition to the IOS module / any other I/O module / communication module. This model only works with 230VAC and 460VAC drives.
3. The "CFW500-HMIR" Remote Keypad (Non-Text) requires Qty. (1) CFW500-CCHIR0xM cable. ("x" represents the cable length in meters).
4. The "HMI-01" remote Keypad (Advanced Text) requires Qty. (1) CFW500-RHMIF & Qty. (1) CFW500-CCHIR0xM cable. ("x" represents the cable length in meters). This keypad only works with 230VAC and 460VAC drives.

Option Card I/O Table

CFW500 Option Module	DI	AI	AO	DOR	DOT	Encoder	USB	RS232	RS485	CANopen / DeviceNet	Profibus-DP / DP V1	Modbus TCP	ProfiNet I/O	EtherNet I/P
CFW500-IOS¹	4	1	1	1	1				1					
CFW500-IOD	8	1	1	1	4				1					
CFW500-IOAD	6	3	2	1	3				1					
CFW500-IOR / CFW500-IOR-B	5	1	1	4	1				1					
CFW500-ENC	5	1	1	3	1	1			1					
CFW500-CUSB	4	1	1	1	1		1		1					
CFW500-CRS232	4	1	1	1	1			1	1					
CFW500-CRS485 / CFW500-CRS485-B	4	2	1	2	1				2					
CFW500-CCAN	2	1	1	1	1				1	1				
CFW500-CPDP2	2	1	1	1	1				1		1			
CFW500-CEMB-TCP	2	1	1	1	1				1			1		
CFW500-CEPN-IO	2	1	1	1	1				1				1	
CFW500-CETH-IP	2	1	1	1	1				1					1
CFW500-CETH2	2	1			1				1			1		1

Notes:

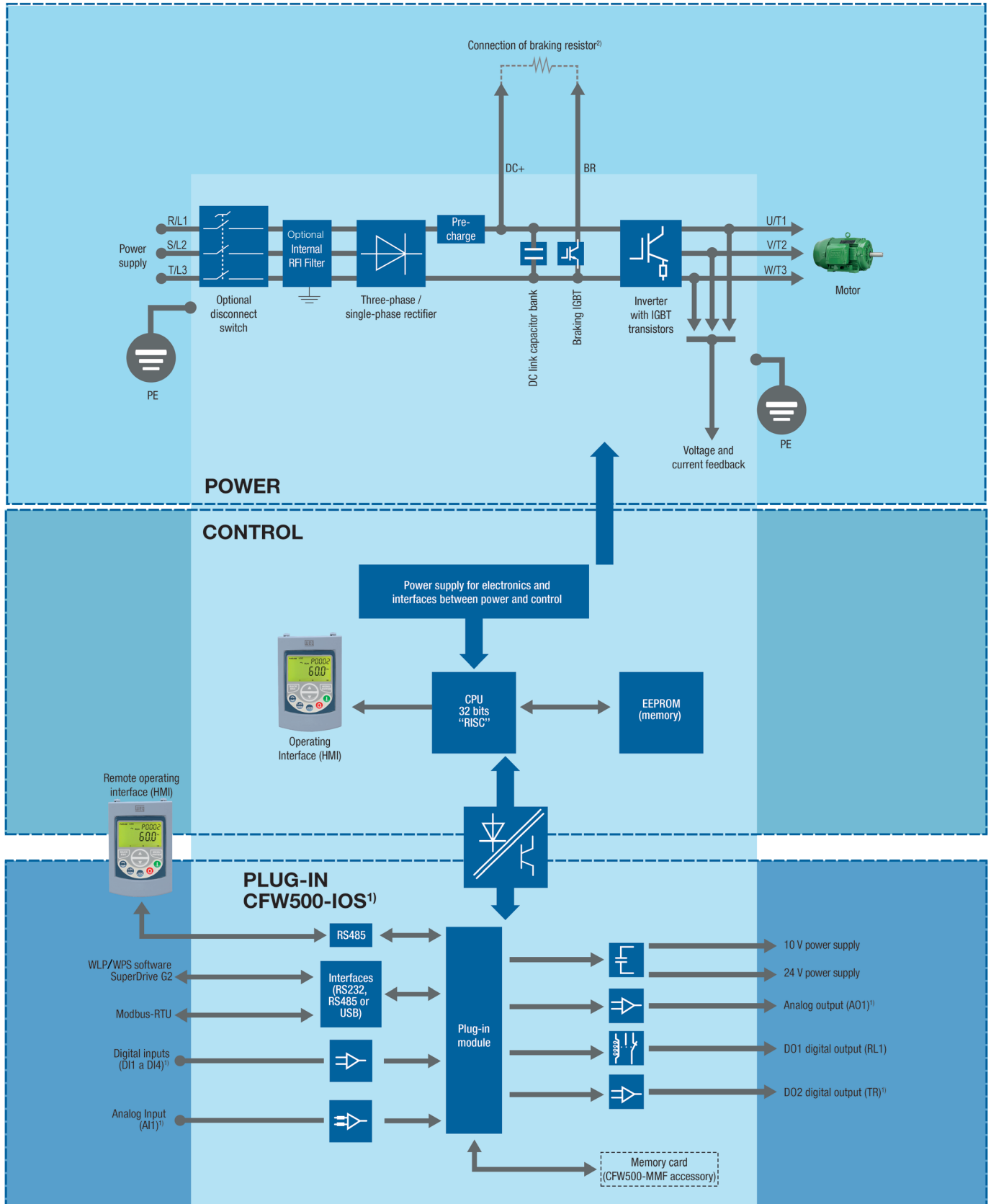
1) The CFW500 VFD comes standard with "CFW500-IOS" Module. To use any of the above listed optional module, the CFW500-IOS module needs to be removed from the drive. In that case, the number of I/Os will depend on the I/O or communication module being used.



CFW500-N4X/IP66 Technical Data

Power Supply	Voltage	Single phase or Three Phase	200-240 Vac (+10%, -15%)
		Three phase	380-480 Vac, 500-600 Vac (+10%, -15%)
	Frequency	50 / 60Hz +/- 2Hz	
Enclosure	Degree of Protection	NEMA 4X / IP66	
	Mounting	Indoor / Outdoor	
Control	Control Modes	Volts per Hertz (Scalar)	VVW: Voltage vector control
		Sensorless Voltage Vector	Vector control with encoder
	Power Output	Sinusoidal PWM (Space Vector Modulation)	
		IGBT Transistors	
	Switching Frequency	2.5kHz to 15kHz	
	Frequency Range	0-500 Hz, resolution of 0.015 Hz	
	Overload Capacity	150% for 60 seconds, repeatable every 10 min.	
Inputs	4 programmable isolated digital inputs, 24V DC, NPN (Active Low) or PNP (Active High)		
	1 programmable isolated analog input; programmable for current or voltage (0-10V, 4-20mA or 0-20mA)		
Outputs	1 programmable relay output: Form C (One NO & NC contact), 240 V / 0.5 A		
	1 programmable isolated open collector digital output (transistor Output); 24Vdc.		
	1 programmable isolated analog output; programmable for current or voltage (0-10V, 4-20mA or 0-20mA)		
Power Supply	24 Vdc, +/- 20%, Max. 150 mA		
	10 Vdc, Max. 2 mA		
Communication	Isolated RS485 (One Port)		
	Modbus-RTU with max. communication of 38.4 kbps		
Safety	Protections	Motor over current	DC link over voltage
		Motor overload	DC link under voltage
		Output phase-to-phase short circuit	Drive over temperature
		Output phase-to-ground short circuit	External fault
		Programming error	
Ambient	Temperature	14 - 104°F (-10 to 40°C), up to 122°F (50°C) with 2% / 1.8°F (1°C) output current derating.	
	Humidity	5-95% Non Condensing	
	Altitude	0-3300 ft (1000m), up to 13,200 ft (4000m) with 1% / 328ft (100 m) output current derating.	
Regulatory Conformance	Safety Standards	UL 508C, UL 840, IEN/EN 61800-5-1, EN 50178, IEC/EN 60204-1, IEC/EN 60146, IEC/EN 61800-2	
	Electromagnetic Compatibility (EMC)	IEC/EN 61800-3, CISPR 11, IEC/EN 61000-4-2/3/4/5/6.	
	Mechanical Construction	IEC/EN 60529, UL 50, IEC/EN 60721-3-3	
Special Functions	Linear and "S" ramp accel and decel, local/remote control, FWD/REV selection, DC braking, manual and auto torque boost, motor slip compensation, electronic pot, two skip frequencies, maximum and minimum adjustable frequency limits, adjustable output current, Dc bus regulation, Speed/Torque Control, PID		
Keypad	Three lines of Display (Main display, Secondary display & Bar display) displaying three parameters, LDC; 9 keys		
	Readouts for: output frequency (Hz), output current (A), output voltage (V), motor torque (%) in vector mode, DC bus voltage (V), value proportional to frequency (Ex.: RPM), heatsink temperature, fault and status messages		

Block Diagram of NEMA4X/IP66 Version



Notes: 1) The number of inputs and outputs (analog and digital), as well as other resources, may vary according to the plug-in module used. For further information, refer to the CFW500 user manual.
 2) Resistor not included. Internal dynamic braking (IGBT) built-in in the whole CFW500 IP66 version.

WEG's scope of solutions is not limited to the products and solutions presented in this brochure.


Contact WEG for information on additional products and solutions.

For WEG's worldwide operations visit our website



www.weg.net



 1-800-ASK-4WEG

 info-us@weg.net

 Duluth, GA