



Compact Switching Solutions

MSWB Series Enclosed Disconnect Switches

Compact switching solutions for AC power applications. WEG offers IEC 60947-3 and UL508 MSWB series enclosed disconnect switches available in 3 poles up to 80A for resistive loads and up to 32A for inductive applications. The enclosed disconnect switch is used for manually isolating or interrupting electrical circuits under load conditions. Often used as a means for secondary lock-out / tag-out scenarios.



UL File No. E172121

Standard Features

- Suitable as motor disconnect
- Surface mounting
- Four general purpose current options: 32A, 40A, 60A, and 80A
- Two color options:
 - Yellow cover with red handle
 - Gray cover with black handle
- Thermoplastic and robust Type 1, 4, 4X (IP65) enclosure with black enclosure base
- Protection ratings:
 - IP65 protection rating for handles allowing up to three padlocks in “OFF” position
 - IP20 protection rating for internal terminals
- Knock-outs for cable gland provides flexibility for cable entry/exit on the top, bottom, and rear of the box
- An additional pole and an auxiliary contact can be installed

Accessories

- Additional pole
- Auxiliary contact



Additional Pole



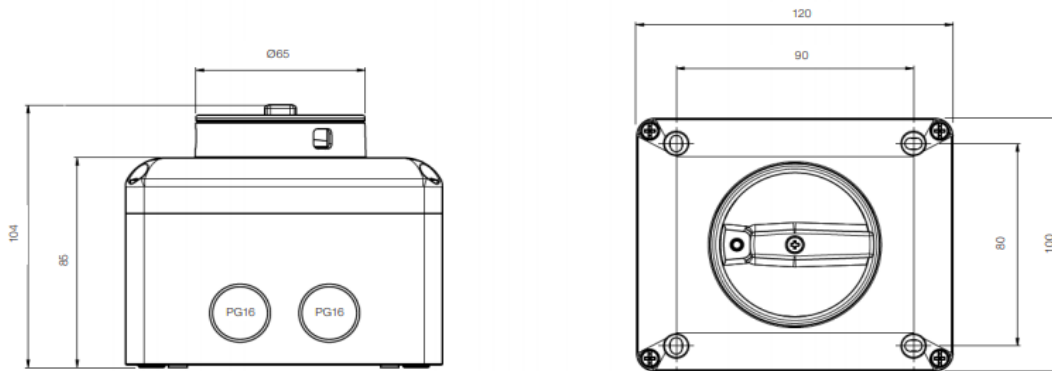
Auxiliary Contact

Enclosed Disconnect Switches – MSWB Series

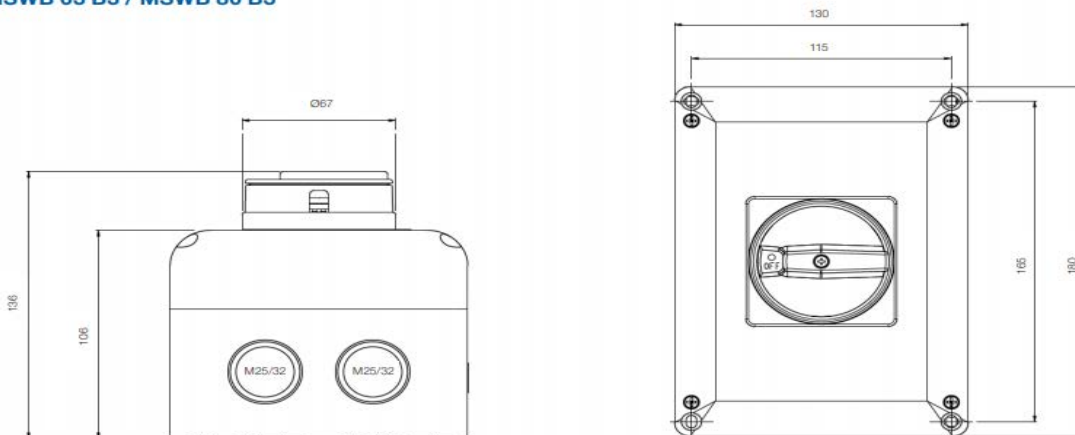
Catalog Number	AC-21 UL508 General Use @ 600 VAC (FLA)	UL508 Motor Load			Mounting	Pole	Front Part Color
		HP (FLA)					
		240 VAC	480 VAC	600 VAC			
MSWB 25 B3 H	32	7.5 (22)	10 (14)	15 (17)	Surface	3	Yellow cover/Red handle
MSWB 40 B3 H	40	10 (28)	15 (21)	20 (22)			
MSWB 63 B3 H	60	10 (28)	25 (34)	30 (32)			
MSWB 80 B3 H	80	15 (42)	30 (40)	40 (41)			
MSWB 25 B3 HB	32	7.5 (22)	10 (14)	15 (17)			Gray cover/Black handle
MSWB 40 B3 HB	40	10 (28)	15 (21)	20 (22)			
MSWB 63 B3 HB	60	10 (28)	25 (34)	30 (32)			
MSWB 80 B3 HB	80	15 (42)	30 (40)	40 (41)			

Dimensions (mm)

MSWB 25 B3 / MSWB 40 B3



MSWB 63 B3 / MSWB 80 B3



WEG Electric Corp.
6655 Sugarloaf Pkwy.
Duluth, GA 30097
Phone: 1-800-ASK-4WEG
www.weg.net