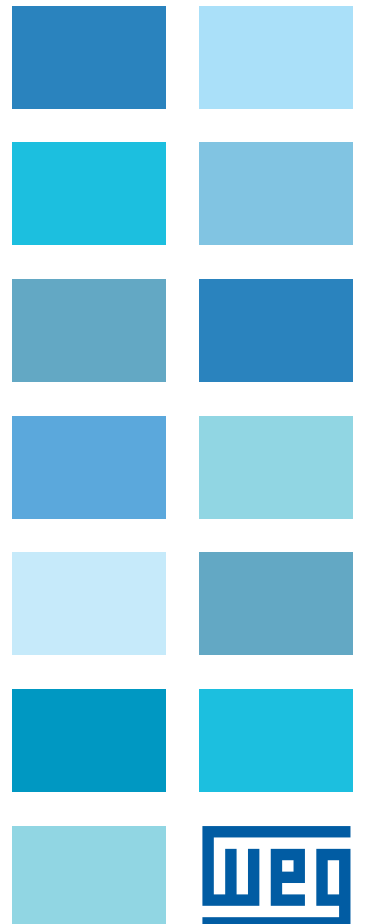
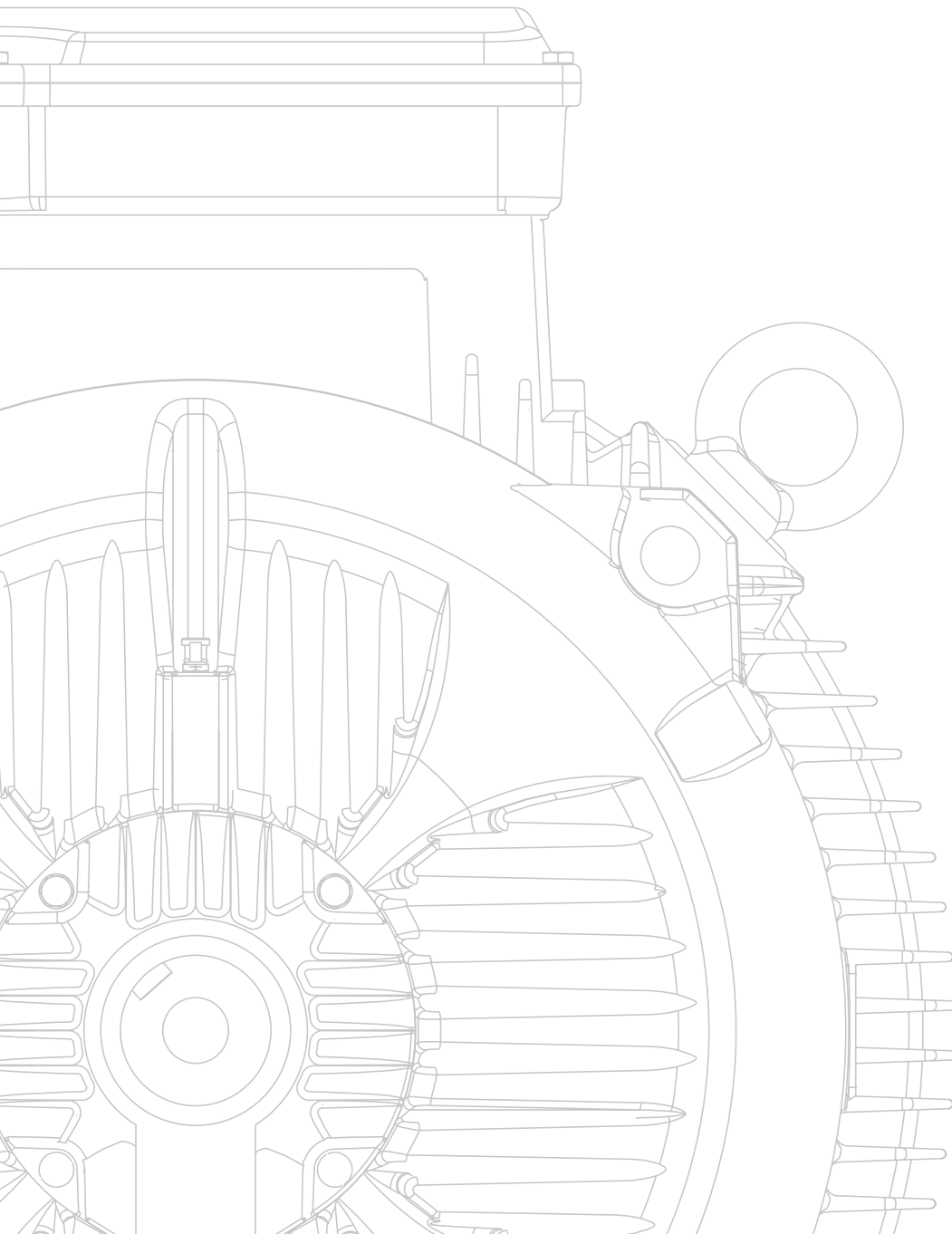


# Disposal and Environmental Information

## WEG Three-phase Electric Motors

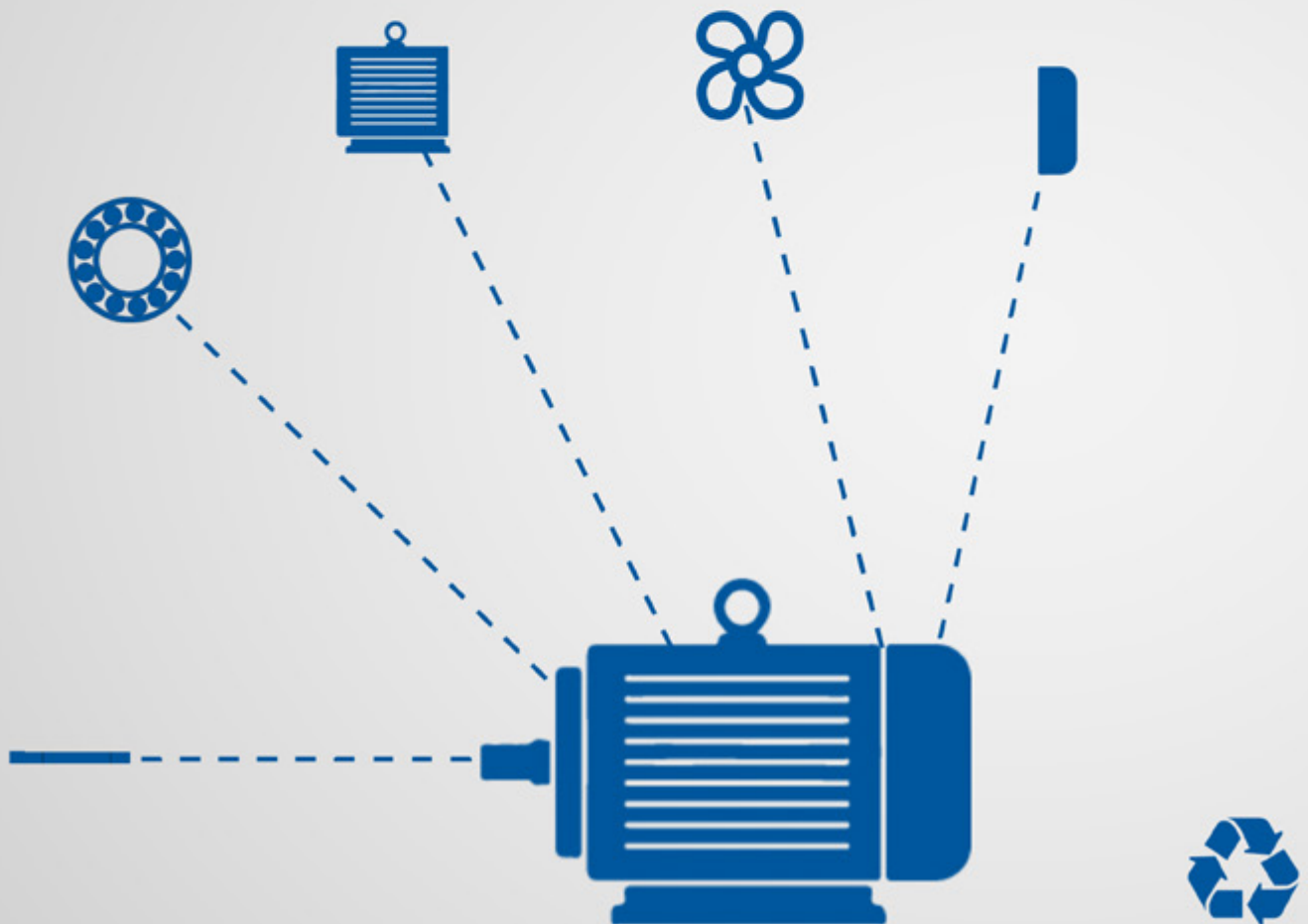
## WEG Single-phase Electric Motors



## INTRODUCTION

This document presents disposal and environment information about three-phase and single-phase electric motors, ranging from frame size IEC 56 to 630 and NEMA 42 to 6808/09, manufactured by WEG Equipamentos Elétricos S.A., WEG Linhares Equipamentos Elétricos S.A., WEGeuro – Industria Eléctrica S.A., WEG (Nantong) Electric Motor Manufacturing CO., LTD., WEG (Jiangsu) Electric Equipment CO., LTD. and WEG Mexico, S.A. de C.V. It is intended for users, recyclers and treatment facilities, presenting relevant information for the proper disposal and recycling of electric motor.

Electric motor is generally a product with a long service life. Concerning product disposal, WEG recommends to separate product parts and packaging materials, and to send them for recycling whenever possible. National environmental regulations may vary in each country in EU, please contact local WEG for further and up-to-date information about disposal and recycling of our products.



## TABLE OF CONTENTS

1. PRODUCT DISPOSAL INFORMATION .....	4
2. ELECTRIC MOTORS .....	4
3. PACKAGING .....	7
4. REFERENCE LIST .....	7



## 1. PRODUCT DISPOSAL INFORMATION

All WEG motors present corresponding date of manufacture in their nameplates. In accordance with Directive 2012/19/EU, on Waste Electrical and Electronic Equipment (WEEE), WEG electric motors are marked with the wheelie bin symbol.



*Figure 1 – Wheelie bin symbol*

It indicates that electrical and electronic equipment (EEE), once reaching their end of life, must not be disposed as unsorted municipal waste, but collected separately. WEEE must be disposed of at appropriate collection points, not in the normal waste stream.

The European Directive 2012/19/EU, commonly known as WEEE aims to protect the environment and human health by harmful impacts of waste from electrical and electronic equipment.

WEEE covers all EEE used by consumers and EEE intended for professional use. Inclusion or exclusion of electric motors into WEEE scope depends on their application, though. Some of WEEE exceptions and exclusions are: EEE used in large-scale fixed installations, EEE used into large-scale stationary industrial tools, EEE designed and sold as a component to be integrated into another type of EEE, or installed as part of an equipment that does not fall within the scope of the Directive.

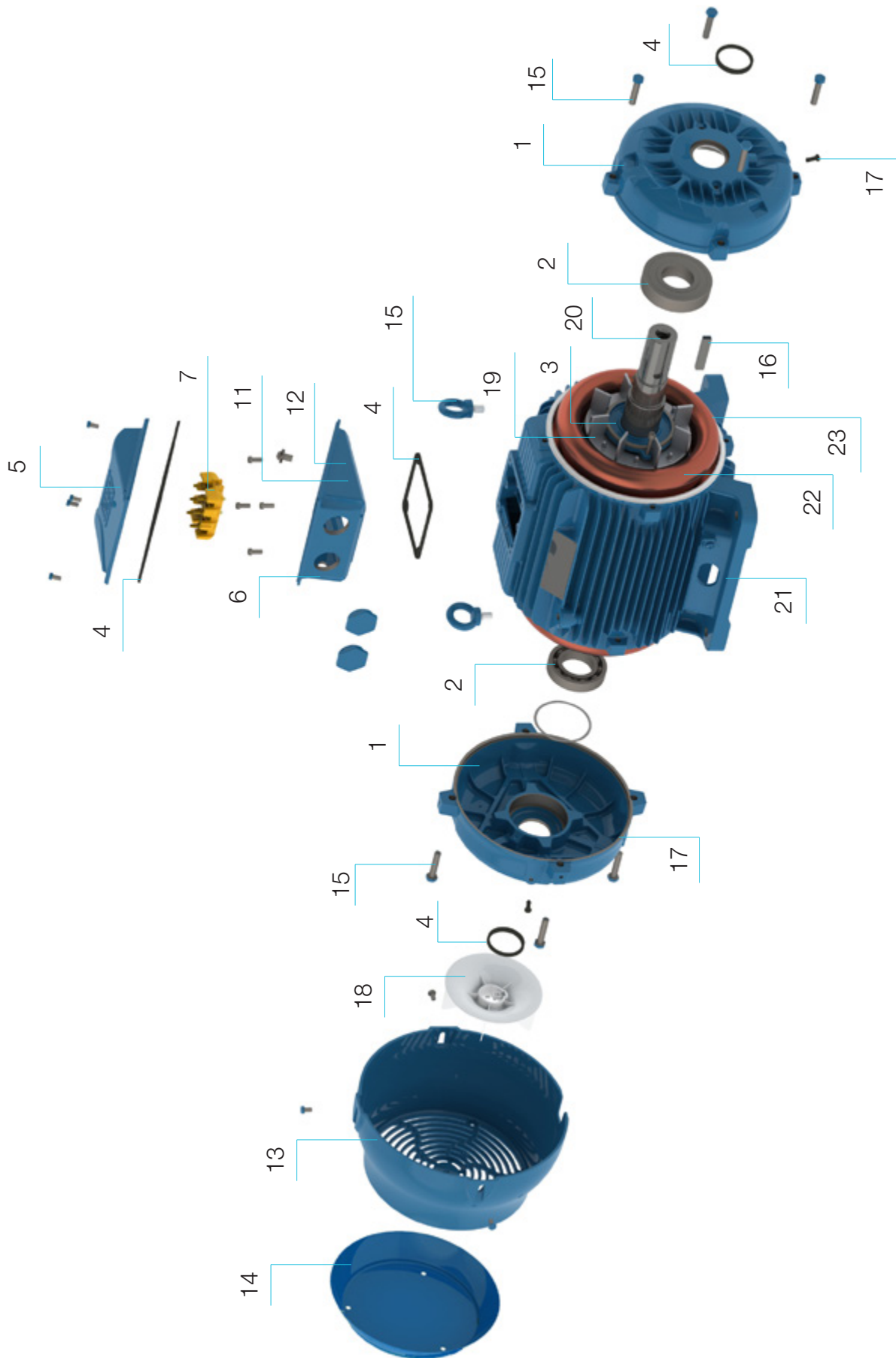
## 2. ELECTRIC MOTORS

Electric motors, under constructive aspect, are mainly manufactured with ferrous metals (steel, cast iron), non-ferrous metals (copper, aluminium) and plastic.

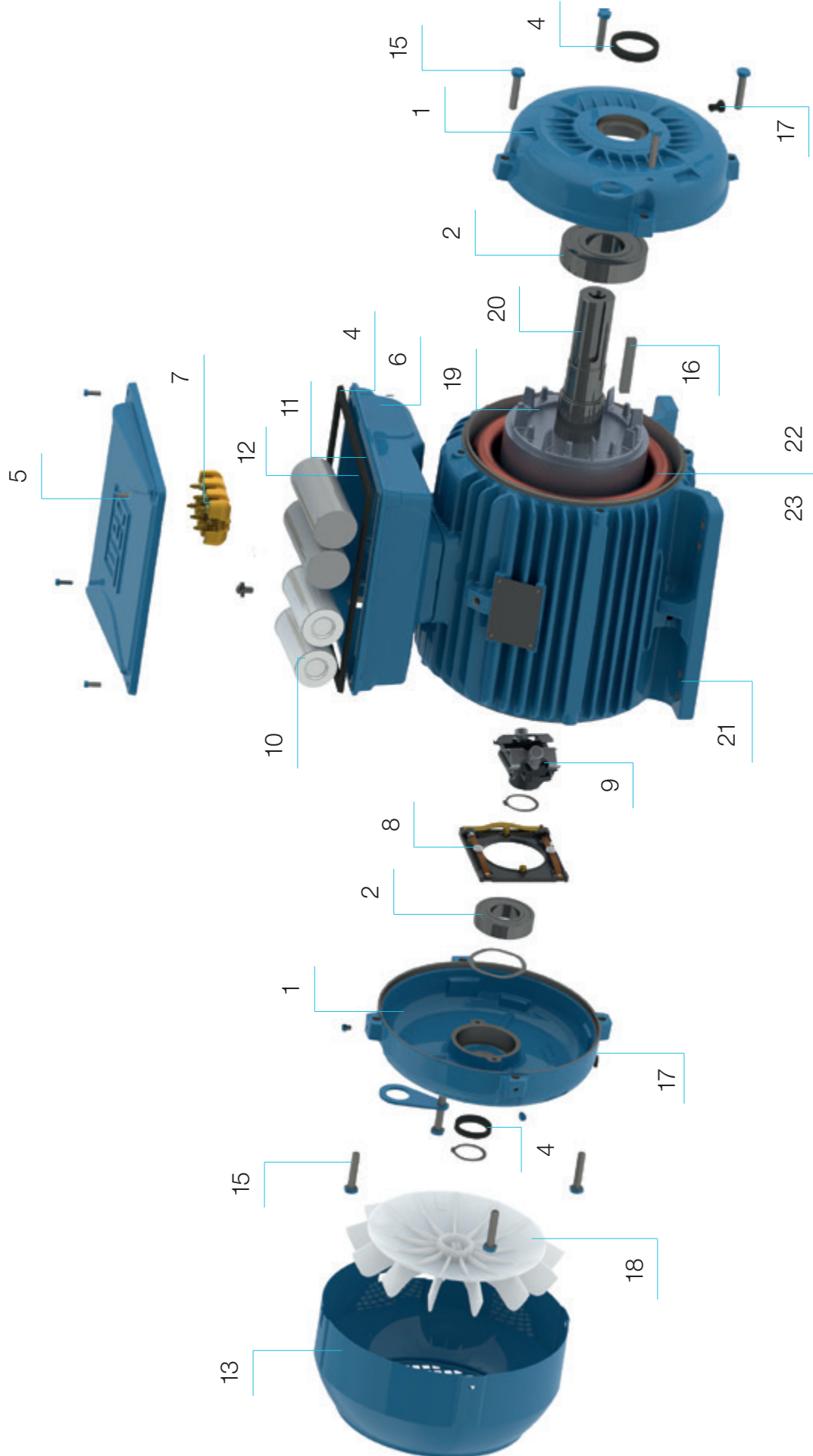
Once reaching product's end of life, proper treatment must be adopted, in accordance with international and local regulations. Treatment facilities must be licensed and must comply with environmental requirements of the Member States they are located in.

Capacitors, plastic parts containing brominated flame retardants and components containing refractory ceramic fibres need selective treatment, in accordance with EU Waste legislation.

Figures 2 and 3 present the main components of a three-phase and a single-phase electric motor, respectively. Table 1 describes these products materials.



**Figure 2** – Exploded view of WEG three-phase electric motor



**Figure 3 – Exploded view of WEG single-phase electric motor**

**Table 1** –Components of the electric motor

Position	Component	Material
1	Endshields	Aluminium / Cast iron
2	Bearings	Steel
		Rubber
3	Bearing caps	Cast iron / Steel
4	Sealings	Rubber
		Brass / Steel
5	Terminal box cover	Aluminium alloy / Cast iron / Steel /Plastic
6	Terminal box	Aluminium alloy / Cast iron / Steel
		Plastic
7	Terminal block	Epoxy / Polyester resin / Ceramics
		Steel
8	Stationary switch	Steel
		Plastic
9	Centrifugal switch	Steel / Aluminium
		Plastic
10	Capacitor	Plastic
11	Terminal lugs	Brass / Copper
12	Terminal connectors	Plastic
		Steel
13	Fan cover	Steel / Cast iron
		Plastic
14	Drip cover	Steel / Cast iron
		Plastic
15	Screws	Steel
16	Key	Steel
17	Drainage plug	Plastic
		Steel
18	Fan	Plastic
		Aluminium alloy
		Cast iron
		Bronze
19	Rotor core	Aluminium and steel
20	Shaft	Steel
21	Frame	Aluminium alloy / Cast iron / Steel
22	Stator core	Steel
23	Winding	Copper / Aluminium and plastic
	Slot insulation	Plastic

### 3. PACKAGING

Electric motors packaging are made of carton, plastic, steel or wood. These materials are recyclable and WEG recommends recycling them in accordance with national regulations of each EU Member State.

### 4. REFERENCE LIST

1. Directive 2012/19/EU of the European Parliament and of the Council of 4 July 2012 on waste electrical and electronic equipment (WEEE).
2. European Parliament and Council Directive 94/62/EC of 20 December 1994 on packaging and packaging waste.



**ARGENTINA**

WEG EQUIPAMIENTOS  
ELECTRICOS S.A.  
Sgo. Pampiglione 4849  
Parque Industrial San Francisco,  
2400 - San Francisco  
Phone: +54 (3564) 421484  
[www.weg.net/ar](http://www.weg.net/ar)

**AUSTRALIA**

WEG AUSTRALIA PTY. LTD.  
14 Lakeview Drive, Scoresby 3179,  
Victoria  
Phone: +03 9765 4600  
[www.weg.net/au](http://www.weg.net/au)

**AUSTRIA**

WATT DRIVE ANTRIEBSTECHNIK  
GMBH\*  
Wöllersdorfer Straße 68  
2753, Markt Piesting  
Phone: + 43 2633 4040  
[www.wattdrive.com](http://www.wattdrive.com)

LENZE ANTRIEBSTECHNIK  
GES.M.B.H.\*  
Ipf - Landesstrasse 1  
A-4481 Asten  
Phone: +43 (0) 7224 / 210-0  
[www.lenze.at](http://www.lenze.at)

**BELGIUM**

WEG BENELUX S.A.\*  
Rue de l'Industrie 30 D, 1400 Nivelles  
Phone: +32 67 888420  
[www.weg.net/be](http://www.weg.net/be)

**BRAZIL**

WEG EQUIPAMENTOS  
ELÉTRICOS S.A.  
Av. Prof. Waldemar Grubba, 3000,  
CEP 89256-900  
Jaraguá do Sul - SC  
Phone: +55 47 3276-4000  
[www.weg.net/br](http://www.weg.net/br)

**CHILE**

WEG CHILE S.A.  
Los Canteros 8600,  
La Reina - Santiago  
Phone: +56 2 2784 8900  
[www.weg.net/cl](http://www.weg.net/cl)

**CHINA**

WEG (NANTONG) ELECTRIC MOTOR  
MANUFACTURING CO. LTD.  
No. 128# - Xinkai South Road,  
Nantong Economic &  
Technical Development Zone,  
Nantong, Jiangsu Province  
Phone: +86 513 8598 9333  
[www.weg.net/cn](http://www.weg.net/cn)

**COLOMBIA**

WEG COLOMBIA LTDA  
Calle 46A N82 - 54  
Portería II - Bodega 6 y 7  
San Cayetano II - Bogotá  
Phone: +57 1 416 0166  
[www.weg.net/co](http://www.weg.net/co)

**DENMARK**

WEG SCANDINAVIA DENMARK\*  
Sales Office of WEG Scandinavia AB  
Verkstadgatan 9 - 434 22  
Kumgsbacka, Sweden  
Phone: +46 300 73400  
[www.weg.net/se](http://www.weg.net/se)

**FRANCE**

WEG FRANCE SAS \*  
ZI de Chenes - Le Loup13 / 38297  
Saint Quentin Fallavier, Rue du Morel-  
lon - BP 738 / Rhône Alpes, 38 > Isère  
Phone: + 33 47499 1135  
[www.weg.net/fr](http://www.weg.net/fr)

**GREECE**

MANGRINOX\*  
14, Grevenon ST.  
GR 11855 - Athens, Greece  
Phone: + 30 210 3423201-3

**GERMANY**

WEG GERMANY GmbH\*  
Industriegebiet Türnich 3  
Geigerstraße 7  
50169 Kerpen-Türnich  
Phone: + 49 2237 92910  
[www.weg.net/de](http://www.weg.net/de)

**GHANA**

ZEST ELECTRIC MOTORS (PTY) LTD.  
15, Third Close Street Airport  
Residential Area, Accra  
Phone: +233 3027 66490  
[www.zestghana.com.gh](http://www.zestghana.com.gh)

**HUNGARY**

AGISYS AGITATORS &  
TRANSMISSIONS LTD.\*  
Tó str. 2. Torokbalint, H-2045  
Phone: + 36 (23) 501 150  
[www.agisys.hu](http://www.agisys.hu)

**INDIA**

WEG ELECTRIC (INDIA) PVT. LTD.  
#38, Ground Floor, 1st Main Road,  
Lower Palace, Orchards,  
Bangalore, 560 003  
Phone: +91 804128 2007  
[www.weg.net/in](http://www.weg.net/in)

**ITALY**

WEG ITALIA S.R.L.\*  
Via Viganò de Vizzi, 93/95  
20092 Cinisello Balsamo, Milano  
Phone: + 39 2 6129 3535  
[www.weg.net/it](http://www.weg.net/it)

**FERRARI S.R.L.\***

Via Cremona 25 26015  
Soresina (CR), Cremona  
Phone: + 39 (374) 340-404  
[www.ferrarisrl.it](http://www.ferrarisrl.it)

**STIAVELLI IRIO S.P.A.\***

Via Pantano - Blocco 16 - Capalle  
50010, Campi Bisenzio (FI)  
Phone: + 39 (55) 898.448  
[www.stiavelli.com](http://www.stiavelli.com)

**JAPAN**

WEG ELECTRIC MOTORS  
JAPAN CO., LTD.  
Yokohama Sky Building 20F, 2-19-12  
Takashima, Nishi-ku, Yokohama City,  
Kanagawa, Japan 220-0011  
Phone: + 81 45 5503030  
[www.weg.net/jp](http://www.weg.net/jp)

**MEXICO**

WEG MEXICO, S.A. DE C.V.  
Carretera Jorobas-Tula  
Km. 3.5, Manzana 5, Lote 1  
Fraccionamiento Parque  
Industrial - Huehuetoca,  
Estado de México - C.P. 54680  
Phone: +52 55 53214275  
[www.weg.net/mx](http://www.weg.net/mx)

**NETHERLANDS**

WEG NETHERLANDS \*  
Sales Office of WEG Benelux S.A.  
Hanzepoort 23C, 7575 DB Oldenzaal  
Phone: +31 541 571090  
[www.weg.net/nl](http://www.weg.net/nl)

**PORTUGAL**

WEG EURO - INDÚSTRIA  
ELÉTRICA, S.A.\*  
Rua Eng. Frederico Ulrich,  
Sector V, 4470-605 Maia, Apartado  
6074, 4471-908 Maia, Porto  
Phone: +351 229 477 705  
[www.weg.net/pt](http://www.weg.net/pt)

**RUSSIA**

WEG ELECTRIC CIS LTD\*  
Russia, 194292, St. Petersburg, Pro-  
spekt Kultury 44, Office 419  
Phone: +7 812 3632172  
[www.weg.net/ru](http://www.weg.net/ru)

**SOUTH AFRICA**

ZEST ELECTRIC MOTORS (PTY) LTD.  
47 Galaxy Avenue, Linbro Business  
Park - Gauteng Private Bag X10011  
Sandton, 2146, Johannesburg  
Phone: +27 11 7236000  
[www.zest.co.za](http://www.zest.co.za)

**SPAIN**

WEG IBERIA INDUSTRIAL S.L.\*  
C/ Tierra de Barros, 5-7  
28823 Coslada, Madrid  
Phone: +34 91 6553008  
[www.weg.net/es](http://www.weg.net/es)

**SINGAPORE**

WEG SINGAPORE PTE LTD  
159, Kampong Ampat, #06-02A KA  
PLACE. 368328  
Phone: +65 68581081  
[www.weg.net/sg](http://www.weg.net/sg)

**SWEDEN**

WEG SCANDINAVIA AB\*  
Box 27, 435 21 Mölnlycke  
Visit: Designvägen 5, 435 33  
Mölnlycke, Göteborg  
Phone: +46 31 888000  
[www.weg.net/se](http://www.weg.net/se)

**SWITZERLAND**

BIBUS AG\*  
Allmendstrasse 26  
8320 - Fehraltorf  
Phone: + 41 44 877 58 11  
[www.bibus-holding.ch](http://www.bibus-holding.ch)

**UNITED ARAB EMIRATES**

The Galleries, Block No. 3, 8th Floor,  
Office No. 801 - Downtown Jebel Ali  
262508, Dubai  
Phone: +971 (4) 8130800  
[www.weg.net/ae](http://www.weg.net/ae)

**UNITED KINGDOM**

WEG (UK) Limited\*  
Broad Ground Road - Lakeside  
Redditch, Worcestershire B98 8YP  
Phone: + 44 1527 513800  
[www.weg.net/uk](http://www.weg.net/uk)

**ERIKS \***

Amber Way, B62 8WG  
Halesowen, West Midlands  
Phone: + 44 (0)121 508 6000

**BRAMMER GROUP \***

PLC43-45 Broad St, Teddington  
TW11 8QZ  
Phone: + 44 20 8614 1040

**USA**

WEG ELECTRIC CORP.  
6655 Sugarloaf Parkway,  
Duluth, GA 30097  
Phone: +1 678 2492000  
[www.weg.net/us](http://www.weg.net/us)

**VENEZUELA**

WEG INDUSTRIAS VENEZUELA C.A.  
Centro corporativo La Viña  
Plaza, Cruce de la Avenida  
Carabobo con la calle Uzlar de la  
Urbanización La Viña /  
Jurisdicción de la Parroquia  
San José - Valencia  
Oficinas 06-16 y 6-17, de la planta  
tipo 2, Nivel 5, Carabobo  
Phone: (58) 241 8210582  
[www.weg.net/ve](http://www.weg.net/ve)



\* European Union Importers