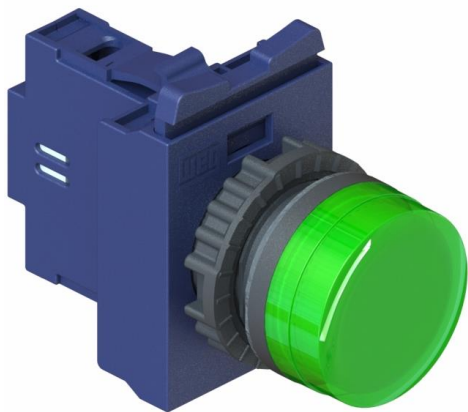


Automation

Product End-of-Life Instructions

COMPLETE PILOT LIGHTS



Purpose

The dispose of the product must be in accordance with the legislation of the country where they are situated. This document is intended to help end users, direct recyclers or waste treatment facilities to assure the proper end-of-life treatment for the components and materials of the product. The materials shall be separated correctly and disposed for special treatment, when necessary.

Note 1: The intent of this document is to provide guidance on the presence of materials and components at the product/family level, as required by the Directive 2012/19/EU, Waste Electrical and Electronic Equipment (WEEE).

Note 2: Products that comply with the WEEE are marked with a crossed-out wheeled bin symbol, as show beside, which indicates:

- The product cannot be disposed of in a municipal waste collection point;
- It should undergo a waste sorting process of electrical and electronic equipment and batteries;
- The horizontal bar below the wheeled bin indicates the device was placed on the market after August 13, 2005.



Note 3: Products of this range are in accordance with European RoHS Directive 2011/65/EU and Directive 2015/863.

Product overview

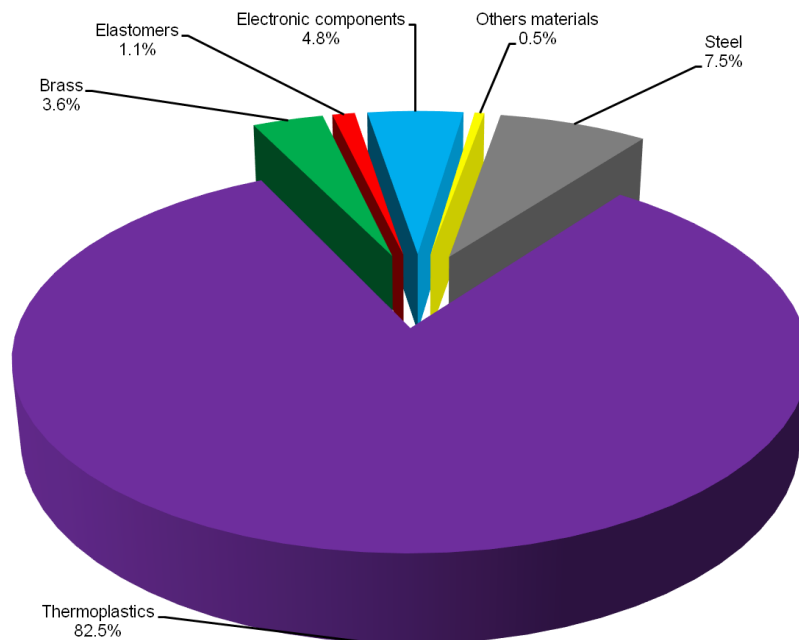
Product Range: Complete pilot lights SD.

Size (H x L x D) [mm]: SD (28 x 28 x 59.7).

Weight [g]: Between 12 and 153 excluding packaging.

The analysis used for this product range is based on Complete Pilot Light CSW-SD0-FD66-3VF.

Materials Used or Constituent Materials



The materials used in the product range and the corresponding weight are disposed below, in *table 1*. The information about the constituent materials is referring to model CSW-SD0-FD66-3VF.

Table 1 – Materials and corresponding weight for referring product CSW-SD0-FD66-3VF.

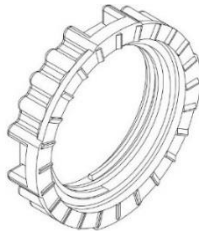
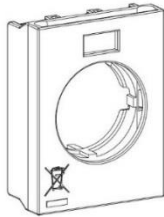
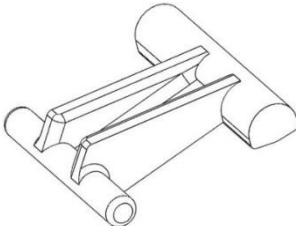
Material	Weight [g]
Steel	2.38
Thermoplastics	26.28
Brass	1.13
Elastomers	0.36
Electronic components	1.53
Others materials	0.16

Caution:

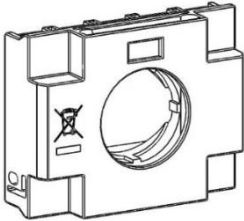
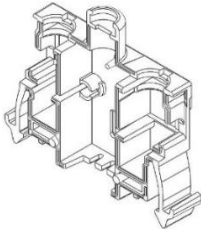
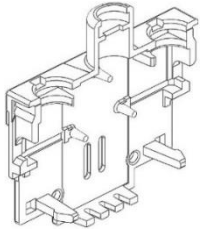
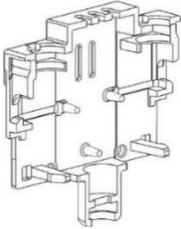
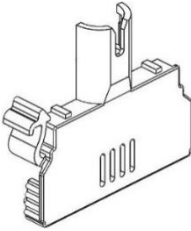
* In order to comply with European Directives, electronic components units shall be removed and routed to specialist recycling companies.

* Plastic parts with brominated flame retardant are listed in Table 2. Recommendation: **special treatment.**

Table 2 – Plastic parts with brominated flame retardant.

Components	Weight [g]
	1.00
	6.70
	0.5



Components	Weight [g]
	16.00
	2.00
	2.20
	1.70
	2.80

Recommended operation for the end-of-life:

Dismantle the product | Remove components | **Recycle it!**

WEG importers in the European Union

AUSTRIA

WATT DRIVE ANTRIEBSTECHNIK
GMBH

Wöllersdorfer Str. 68, 2753 Markt
Piesting

Phone: +43 2633 4040

www.wattdrive.com

FRANCE

WEG FRANCE SAS

13 Rue du Morellon, 38297 Saint
Quentin Fallavier.

Phone: +33 47499 1135

www.weg.net/fr

ITALY

WEG ITALIA S.R.L.

Via Viganò de Vizzi, 93/95, 20092
Cinisello Balsamo, Milano

Phone: +39 6129 3535

www.weg.net/it

PORTUGAL

WEG EURO - INDUSTRIA
ELECTRICA S.A.

R. Eng. Frederico Ulrich 605, 4471-
908 Maia

Phone: +351 229 477 705

www.weg.net/pt

SWEDEN

WEG SCANDINAVIA AB

Box 27, 435 21, 43533 Mölnlycke

Phone: +46 31 888000

www.weg.net/se

BELGIUM

WEG BENELUX S.A.

Rue de l'Industrie 30/D, 1400
Nivelles

Phone: +32 67 888420

www.weg.net/be

GERMANY

WEG GERMANY GMBH

Geigerstraße 7, 50169
Industriegebiet Türnich 3, Kerpen

Phone: +49 2237 92910

www.weg.net/de

NETHERLANDS

WEG NETHERLANDS

Hanzepoort 23C, 7575 DB
Oldenzaal

Phone: +31 541 571090

www.weg.net/nl

SPAIN

WEG IBERIA INDUSTRIAL S.L.

C/ Tierra de Barros, 5-7,
28823 Coslada, Madrid

Phone: +34 91 6553008

www.weg.net/es

UNITED KINGDOM

WEG (UK) LTD

Broad Ground Road, Redditch
B988YP, Worcestershire

Phone: +44 1527 513800

www.weg.net/uk

Information valid for WEG Group Importers.